

Lot 66 JH FW

LG STUDIO

Lot no. 66
2022-12-19
EW & JH

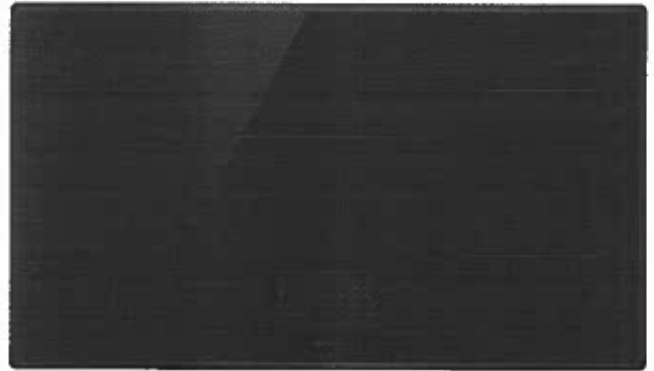


CBIS3618B

36" Induction Cooktop

KEY FEATURES

- Flex Cooking Zone
- 7" LCD Touch Screen
- Dual Zone Burner
- ThinQ® Technology
- 2-Year Limited Warranty



PRODUCT FEATURES

SUMMARY	
Series	LG Studio
Type	36" Induction Cooktop
No. of Burners	5
Color	Black
Design (Surface)	4 Bevels
CONTROL FEATURES	
Cooktop Control Type	Glass Touch
Display	7" TFT - LCD
Power Level Settings	9 or 17 Level + Boost
Control Location	Front - Center
COOKTOP FEATURES	
Cooktop Burner Type	Induction
No. of Burners	5 (Flexible Burner / 1 Dual / 2 Single)
Burner/Watts - Left Rear (Boost)	1850W (Boost 3700W) [240V] 1500W (Boost 3000W) [208V]
Burner/Watts - Left Front (Boost)	1850W (Boost 3700W) [240V] 1500W (Boost 3000W) [208V]
Burner/Watts - Right Rear (Boost)	1400W (Boost 1800W) [240V] 1150W (Boost 1450W) [208V]
Burner/Watts - Right Front (Boost)	2100W (Boost 3700W) [240V] 1700W (Boost 3000W) [208V]
Burner/Watts - Center (Boost)	(7") 1850W (Boost 3700W) (11") 3700W(Boost 6000W) [240V] (7") 1500W(Boost 3000W) (11") 3000W(Boost 4900W) [208V]
FUNCTION	
Red LED Bar indicator	SEA (Front each burner)
Kitchen Timer	Each Burner
Power Boost	Yes (5 Burners)
Simmer	Yes (4 Burners)
Melt	Yes (1 Burner, RR Burner)
Auto Pen Detection	Yes
Child Lock	Yes

APPEARANCE	
All Available Colors	Clear Glass, Black Print
ACCESSORIES	
Cleaner	Yes
SMART FEATURES	
ThinQ® (Wi-Fi Enabled)	Yes
Monitoring	Yes
Hood Connect	Yes
DIMENSIONS / CLEARANCES / WEIGHT	
Product (W x H x D)	36 5/8" x 3 9/16" x 21 1/16"
Cut-out (W x H x D)	34 3/8" x 6 3/4" x 19 51/64"
Packing (W x H x D)	39 5/8" x 3 5/8" x 24 3/8"
Product Weight (lbs)	48.06
Shipping Weight (lbs)	54.5
POWER/RATINGS	
Amp at 208/240V	42.5A / 45.4A
kW at 208/240V	8850W / 10900W
Requirements	208V/240V 60Hz
LIMITED WARRANTY	
Parts & Labor	2 Year
UPC CODES	
CBIS3618B	195174022870

© 2021 LG Electronics USA, Inc. All rights reserved. "LG Life's Good" is a registered trademark of LG Corp. All other product and brand names are trademarks or registered trademarks of their respective owners. Design, features and specifications are subject to change without notice. Non-metric weights and measurements are approximate. Some features may require Internet access. Content and services may vary by product and are subject to change without notice. 2/9/22

Lot 66

Lot no. 66
2022-12-19
EW & JH



LG STUDIO

WCES6428F

1.7 / 4.7 cu. ft. STUDIO Smart wi-fi Enabled
Combination Double Wall Oven



KEY FEATURES

- 7" Color LCD Touch Display
- Soft Close Door
- Air Fry Setting
- InstaView® Window (WideView)
- Steam Sous Vide
- Optional Flush Installation
- EasyClean®
- LG Exclusive 4-Mode True Convection
- ThinQ® Technology

PRODUCT FEATURES

SUMMARY	
Type	Comb Wall Oven
Total Oven Capacity (cu. ft.)	6.4 (Upper & Lower)
Color	Stainless Steel
UPPER OVEN FEATURES	
Capacity (cu.ft)	1.7
Interior(Cavity) - Upper MWO / Lower Oven	Stainless / Enamel Coating
Microwave Power output	950W
Microwave mode power consumption	1650W
Convection Bake mode power consumption	1600W
Broil mode power consumption	1300W
Convection Element (W)	1500W (Sheath heater) 1200W
Broil Upper Element (W)	(500W Infrared Heating™ + 700W Miralton heater)
Bake Element (W)	375W
Microwave	Yes
Convection Bake	Yes
Broil	Yes
Speed cook	Yes
- # of Defrost (4 Menu)	Meat / Poultry / Fish / Bread Beverage / Casserole / Chicken / Pasta / Pizza / Plate of food / Rice / Soup / Vegetable
- # of Sensor cook (9 Menu)	Bacon(regular sliced) / Bagels(frozen) / Baked potatoes(7-9oz/ea) / Brownie / Cod fillets(1 lb) / Corn dog(frozen) / Fresh vegetable / Frozen chicken wings / Frozen fries / Frozen chicken nuggets / Frozen pizza(regular crust) / Frozen soft pretzels / Frozen vegetable / Garlic bread(sliced, frozen) / Hamburger(1/2" thick) / Lamb chops(1/2" thick, 6-7oz) / Meat loaf(9" X 5") / Nachos / Oatmeal / Pork chops(1/2" thick, 6-7oz) / Quinoa / Ribeye steak(1" thick 14-15oz) / Rice / Salmon steak(1" thick) / Sausage / Sirloin steak(1" thick, 18-21oz) / Tenderloin / Vegetable-canned
- # of Auto cook	Butter / Cream Cheese / Frosting / Ice Cream
- # of Soften (4 Menu)	Butter / Caramel / Cheese / Chocolate / Marshmallow
- # of Melt (5 Menu)	

LOWER OVEN FEATURES	
Capacity (cu.ft)	4.7
EasyClean®	Yes
EasyClean(SpeedClean) time	10 mins
Self Clean	Yes
Variable cleaning time	Yes
Steam Assist	Yes
Steam element	1,960 watts
Convection Type	True Convection
Convection element	2,000 watts
Convection Fan	Single Speed
Convection conversion	Yes
Bake element	2,500 watts
Bake element type	Hidden (8 pass)
Broil element	2,500 watts inner / 1,500 watts outer
Broil element pass	8
Variable broil	Yes (Full,Center / High,Med,Low) Bake / Conv. Bake / Conv. Roast / Broil / Air Fry / Warm / Proof / Steam Cook(Steam Bake, Sous-Vide) / Auto Cook / Favorite / Clean(Self Clean, Easy Clean, Steam Maintenance)
Oven Cooking Modes	Upper (28EA), Lower (45EA) except miscellaneous
No of Auto cook	40EA
No of Favorite	5
No of rack position	2 (Halogen Lamp)
No of light	Yes
Proof	Yes
Drying / Dehydrating	Yes
Temp probe	Yes
12 hrs. shut-off	Yes
Variable warm	Yes (High,Med,Low)
CONTROL	
Oven Control Type	Glass Touch
Display	7" TFT LCD
Language	English / Spanish / French
Clock	12 hr or 24 hr (option)
Kitchen Timer	Yes
Timed Cook	Yes
Temperature Unit of Measure	Fahrenheit / Celsius
Cooking Complete Reminder	Beeper (Hi, Lo, Off)
Volume	
Certified Sabbath mode	Yes
APPEARANCE	
All Available Colors	Stainless Steel
Handle	Stainless Steel
Printproof™ Finish	Yes
Oven Door Feature	WideView™ Window
InstaView®	Yes (Lower Only)

SMART FEATURES	
ThinQ® (Wi-Fi Enabled)	Yes
Check & Control	Yes
Voice Control	Yes
Smart Recipe (3rd Party Recipe App)	Innit, Sidechef
SmartDiagnose™	Yes

DIMENSIONS/CLEARANCES/WEIGHTS	
Product Weight (lbs)	204
Shipping Weight (lbs)	239
Product (W x H x D) Including Door	29 3/4" x 43 13/16" x 24 15/32"
Product (W x H x D) Including Handle	29 3/4" x 43 13/16" x 26 29/32"
Product (W x H x D) Opening Door	29 3/4" x 43 13/16" x 45 21/32"
Cut-out (W x H x D) Standard	Min. 28 1/2" x 43 7/16" x 24"
Cut-out (W x H x D) Flush	Max. 28 5/8" x 43 1/2" x 24"
Cut-out (W x H x D) Flush	30" x 44" x 25"

POWER/RATINGS	
Max. Amp load	40A
Required Power Supply	60 Hz / 240 V, 208 V
Rating	7.8kW
Requirements	60 Hz / 240 V, 208 V

ACCESSORIES	
Glass Tray(Upper)	1EA
Metal Tray(Upper)	1EA
Rack(Upper)	1EA
Broiler pan	1EA
Griddle(Lower)	1EA
Meat probe	1EA
Heavy Duty Rack	2EA
Guiding Rack	1EA
Air Fry Rack(Lower)	1EA

LIMITED WARRANTY	
Parts & Labor	2 Years

UPC CODES	
WCES6428F (Printproof™ Stainless Steel)	195174024133

© 2021 LG Electronics USA, Inc. All rights reserved. "LG Life's Good" is a registered trademark of LG Corp. All other product and brand names are trademarks or registered trademarks of their respective owners. Design, features and specifications are subject to change without notice. Non-metric weights and measurements are approximate. Some features may require Internet access. Content and services may vary by product and are subject to change without notice. 12/13/21

WCES6428F

1.7 / 4.7 cu. ft. STUDIO Smart wi-fi Enabled
Combination Double Wall Oven

QUICK INSTALL & CLEARANCES

For full installation directions/clearances please refer to the corresponding User Manual and Installation Guide.

PROPER LOCATION AND DIMENSIONS

Measure the current cutout dimensions and compare them to the cutout dimensions shown below. Little or no cabinet work may be necessary.

- The cabinet base platform must be able to support 202 lbs (92 kg) for this appliance. If the cabinet does not have a solid bottom, two braces or runners must be installed level with the bottom of the cutout to support the weight of the appliance. Make sure the base is level and the front of the cabinet is square. If the cabinet base is not level, the oven racks will tend to slide out when opening the door.
- Make sure the cabinets and wall coverings around the oven can withstand the temperature (up to 194 °F (90 °C)) generated by the oven. Discoloration, delamination or melting may occur.
- DO NOT remove spacers ③ on the side walls of the built-in. These spacers center the oven in the space provided. The oven must be centered to prevent excess heat buildup that may result in heat damage or fire.
- Kitchen cabinets in contact with the oven must be heat resistant up to 194 °F (90 °C), and fronts of nearby units up to at least 158 °F (70 °C).
- The information in this manual should be followed exactly. Failure to do so could result in fire or electrical shock, causing property damage, personal injury or death.
- DO NOT put any weight on the oven door. Never allow anyone to climb, sit, stand or hang on the oven door. The oven could be tipped and injury might result from contact with hot food or the oven itself.
- DO NOT block the oven air exhaust located at the bottom of the oven. Blocking the exhaust may cause cabinet damage and product malfunction.

NOTE

- If marks, blemishes or the cutout opening are visible above the installed appliance, it may be necessary to add wood shims under the runners and front trim until the marks or opening are covered.
- If the cabinet does not have a front frame and the sides are less than 3/4" (1.9 cm) thick, shim both sides equally to establish the cutout width.
- The junction box ① must be flush with the conduit opening ② of the cabinet as shown.
- Allow at least a 23" clearance for the door depth when it is open.
- Do not remove the gliding racks from the base packing. Gliding racks are attached separately to the top and bottom of the oven.

POWER / RATINGS

Max. Amp load	40A
Required Power Supply	60 Hz / 240 V, 208 V
Rating	7.8kW
Requirements	60 Hz / 240 V, 208 V

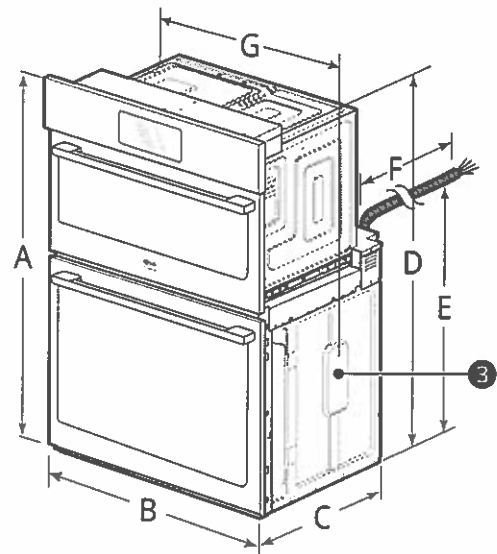
Lot 66 Lot no. 66
2022-12-19
EW & JH

LG
STUDIO

DIMENSIONS / CLEARANCES

A Height	43 13/16"
B Width	29 3/4"
C Depth	23 3/8"
D Height (standard installation)	43 3/16"
E Height (power cord)	25 7/8"
F Length (power cord)	60"
G Width (standard installation)	27 3/8"

③ Clear (Spacer)

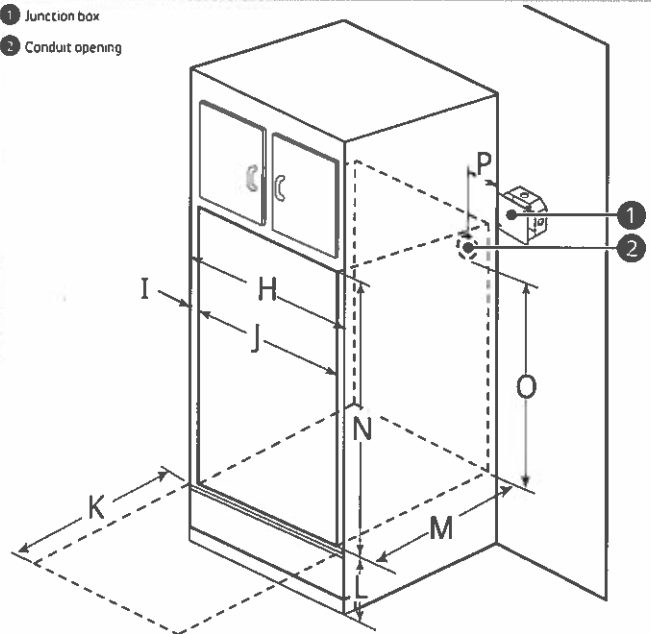


DIMENSIONS / CLEARANCES

H Cabinet Width	30"
I Overlap of oven	1"
J Cutout width	28 1/2" Min. 28 5/8" Max.
K Depth of open door	23"
L Cutout location from floor	12"
M Cutout depth	24" Min.
N Cutout height	43 7/16" Min. 43 1/2" Max.
O Height of conduit opening from floor of cutout	39 27/32"
P Distance of conduit opening from side of cabinet	5"

① Junction box

② Conduit opening



30" Built-In Custom Panel Single Door Refrigerator

Xof 66

Lot no. 66
2022-12-19
EW & JH



Benchmark® Series – Custom Panel B30IR905SP

Plus 18" built-in freezer - See

"Bosch_B18IF905SP_18inch Freezer Spec Sheet.pdf"



B30IR905SP
Custom Panel

The 30" Custom Panel Single door built-in refrigerator works efficiently to keep food fresh longer, and prevent the transfer of flavors and odors.

Features & Benefits

Remotely monitor and control your refrigerator with the Home Connect™ app.

Bright LED lighting illuminates the entire interior.

Optiflex® hinge allows for flush-mount doors, without damaging surrounding cabinetry.

ENERGY STAR® qualified for energy efficiency.

General Properties

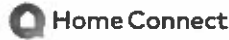
Home Connect™ (Wi-Fi Enabled)	Yes
Reversible door hinge	Yes
Water filter	No
Lighting	LED sidewall and theater lighting
Defrost process	Frost-free
Number of shelves	7
Adjustable shelves	3
Shelf material	Glass w/ metal trim
Type of shelves	3 adjustable, 4 full width
Number of Drawers	3
Gallon storage bins	Yes
Humidity control drawer	Yes

Capacity

Total capacity	16.8 cu. ft.
----------------	--------------

Technical Details

Watts (W)	180 W
Current (A)	15 A
Volts (V)	120 V
Frequency (Hz)	60 Hz
Power cord length (in.)	118"
Plug type	3-Prong



Dimensions & Weight

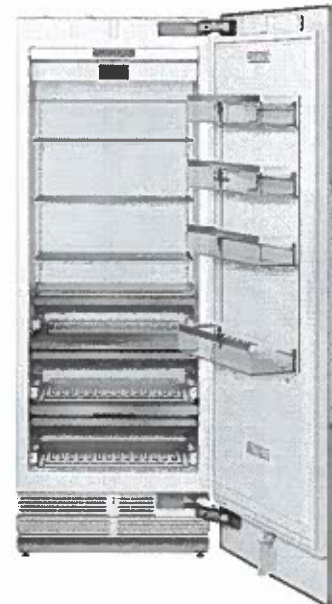
Appliance dimensions (H x W x D) (in.)	84" x 29 3/4" x 24 3/4"
Required cutout size (H x W x D) (in.)	84" x 30" x 24 3/4" or 25"
Net weight (lbs)	261 lbs

Efficiency

ENERGY STAR® qualified	Yes
Energy consumption (kWh/yr)	279 kWh

Accessories

30-Inch Flat Stainless Steel Benchmark® Series Door Panel	BFL30IR800
36-Inch Benchmark® Series Handle	B36HNDL800
Heater Kit may be required when two columns are installed side-by-side. See next page for details.	HEATKITB82



Accessories: To purchase Bosch accessories, cleaners & parts please visit www.bosch-home.com/us/store or call 1-800-944-2904 (Mon to Fri 5 am to 6 pm PST, Sat 6 am to 3 pm PST).

Notes: All height, width and depth dimensions are shown in inches. BSH reserves the absolute and unrestricted right to change product materials and specifications, at any time, without notice. Consult the product's installation instructions for final dimensional data and other details prior to making cutout.

Warranties: Please see Use & Care manual or Bosch website for statement of limited warranty.

For more information on our entire line of products, go to www.bosch-home.com/us or call 1-800-944-2904

© BSH Home Appliances Corporation. All rights reserved. Bosch is a registered trademark of Robert Bosch GmbH.

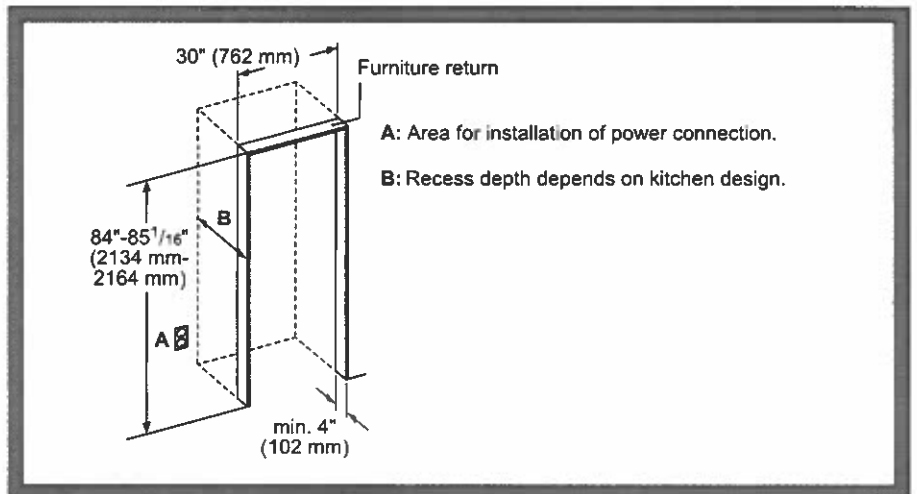
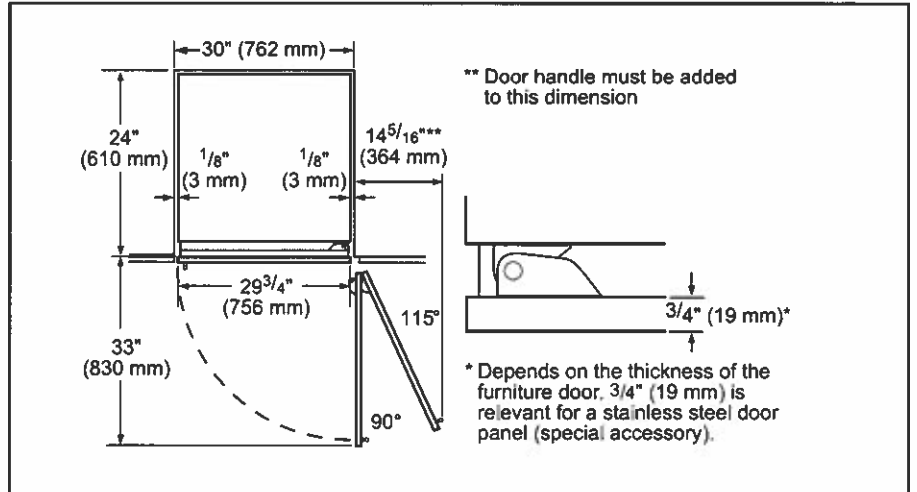
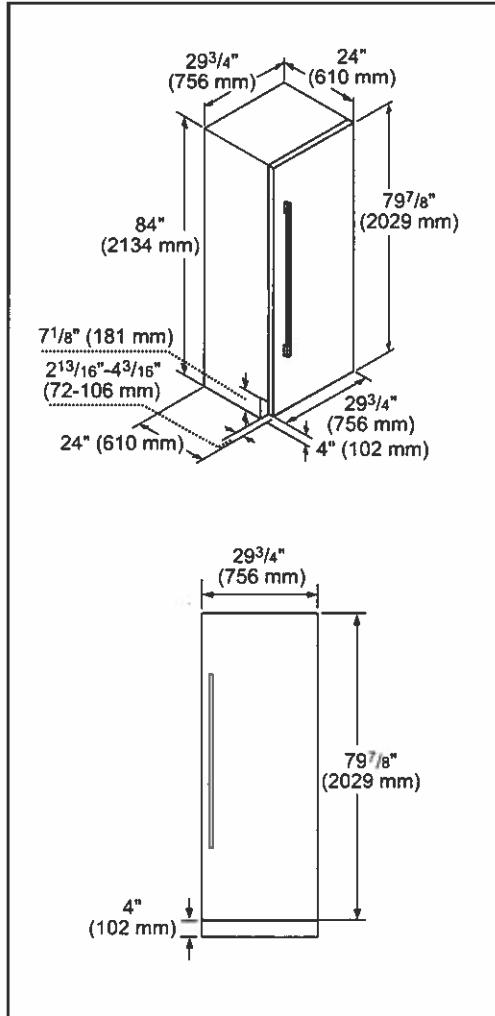
30" Built-In Custom Panel Single Door Refrigerator

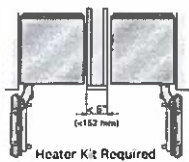
Lot no. 66
2022-12-19
EW & JH



Benchmark® Series – Custom Panel B30IR905SP

Installation Details





HEATKITB82 Heater Kit
When two appliances are installed side-by-side a sealing kit must be used. For combinations that involve a freezer column, this kit is included. For all other (non-traditional, i.e. two bottom freezers) side-by-side combinations or instances where any appliances are installed less than 6" (152 mm) apart from one another but not connected side-by-side, purchase this kit. This kit is also recommended for use with any installation in areas that are subject to humidity, or located next to an outside wall.

IMPORTANT: Handleless Panels should not be installed on units without the soft close capability. If you are uncertain if you have a refrigeration unit with soft close capability please contact our customer team by calling 1-800-944-2904.

Accessories: To purchase Bosch accessories, cleaners & parts please visit www.bosch-home.com/us/store or call 1-800-944-2904 (Mon to Fri 5 am to 6 pm PST, Sat 6 am to 3 pm PST).
Notes: All height, width and depth dimensions are shown in inches. BSH reserves the absolute and unrestricted right to change product materials and specifications, at any time, without notice. Consult the product's installation instructions for final dimensional data and other details prior to making cutout.
Warranties: Please see Use & Care manual or Bosch website for statement of limited warranty.
For more information on our entire line of products, go to www.bosch-home.com/us or call 1-800-944-2904
 © BSH Home Appliances Corporation. All rights reserved. Bosch is a registered trademark of Robert Bosch GmbH.

18" Built-In Custom Panel Single Door Freezer

Lot no. 66
2022-12-19
EW & JH



Benchmark® Series – Custom Panel B18IF905SP Plus 30" built-in refrigerator. See "Bosch_B30IR905SP_30inch Fridge Spec Sheet.pdf"



B18IF905SP
Custom Panel

The 18" Custom Panel single door built-in freezer works efficiently to keep food fresh longer, and prevent the transfer of flavors and odors.

Features & Benefits

Remotely monitor and control your refrigerator with the Home Connect™ app.

Bright LED lighting illuminates the entire interior.

Optiflex® hinge allows for flush-mount doors, without damaging surrounding cabinetry.

ENERGY STAR® qualified for energy efficiency.

General Properties

Home Connect™ (Wi-Fi Enabled)	Yes
Reversible door hinge	Yes
Water filter	UltraClarityPro™
Lighting	All-LED sidewall and theater lighting
Number of shelves	6
Defrost process	Automatic
Number of drawers	2
Adjustable shelves	2
Shelf material	Glass w/ metal trim, metal bin
Type of shelves	Glass w/ metal trim
Ice maker	Yes
Quick ice	Yes

Capacity

Total capacity	8.6 cu. ft.
----------------	-------------

Technical Details

Watts (W)	367 W
Current (A)	15 A
Volts (V)	120 V
Frequency (Hz)	60 Hz
Power cord length (in.)	118"
Plug type	3-Prong



Dimensions & Weight

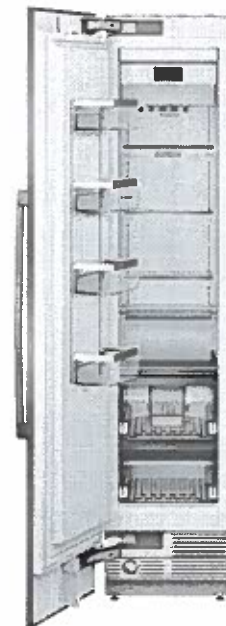
Appliance dimensions (H x W x D) (in.)	84" x 17 3/4" x 24 3/4"
Required cutout size (H x W x D) (in.)	84" x 18" x 24 3/4" or 25"
Net weight (lbs)	332 lbs

Efficiency

ENERGY STAR® qualified	Yes
Energy consumption (kWh/yr)	404 kWh

Accessories

18-Inch Flat Stainless Steel Benchmark® Series Door Panel	BFL18IF800
36-Inch Benchmark® Series Handle	B36HNDL800
UltraClarityPro™ Water Filter	BORPLFTR55
Heater Kit may be required when two columns are installed side-by-side. See next page for details.	HEATKITB82



Accessories: To purchase Bosch accessories, cleaners & parts please visit www.bosch-home.com/us/store or call 1-800-944-2904 (Mon to Fri 5 am to 6 pm PST, Sat 6 am to 3 pm PST).
Notes: All height, width and depth dimensions are shown in inches. BSH reserves the absolute and unrestricted right to change product materials and specifications, at any time, without notice. Consult the product's installation instructions for final dimensional data and other details prior to making cutout.
Warranties: Please see Use & Care manual or Bosch website for statement of limited warranty.
For more information on our entire line of products, go to www.bosch-home.com/us or call 1-800-944-2904
 © BSH Home Appliances Corporation. All rights reserved. Bosch is a registered trademark of Robert Bosch GmbH.

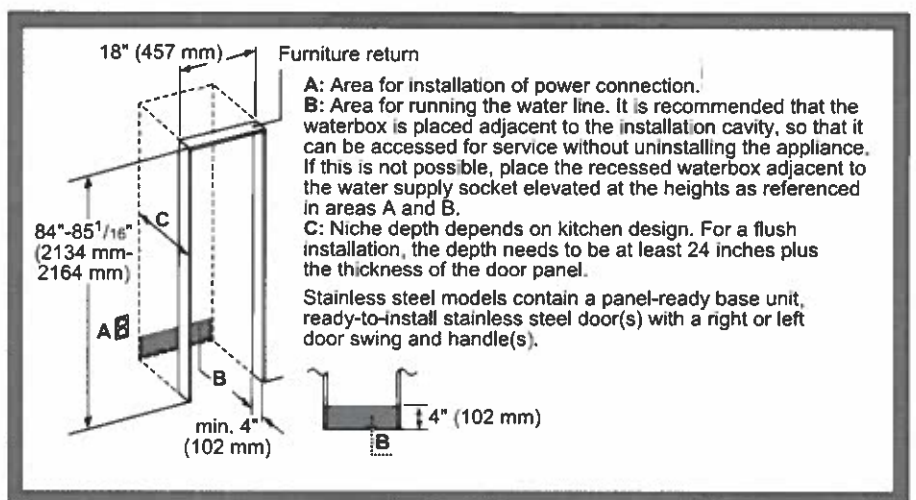
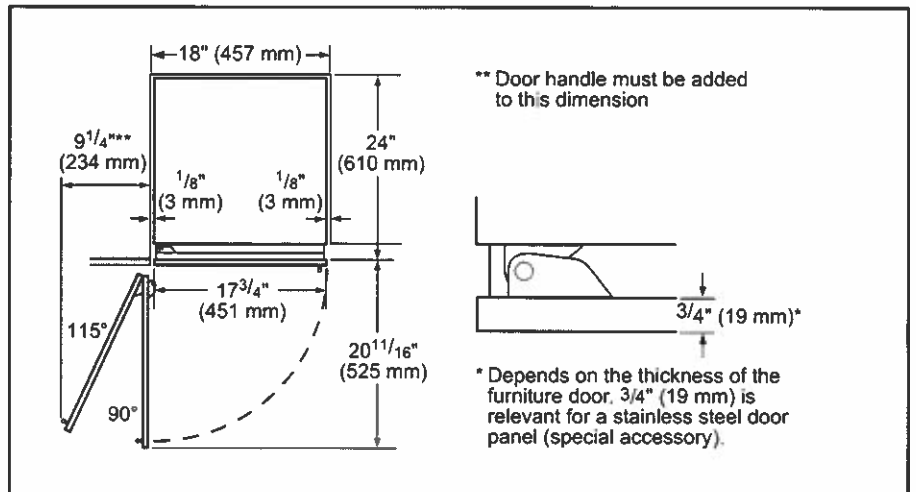
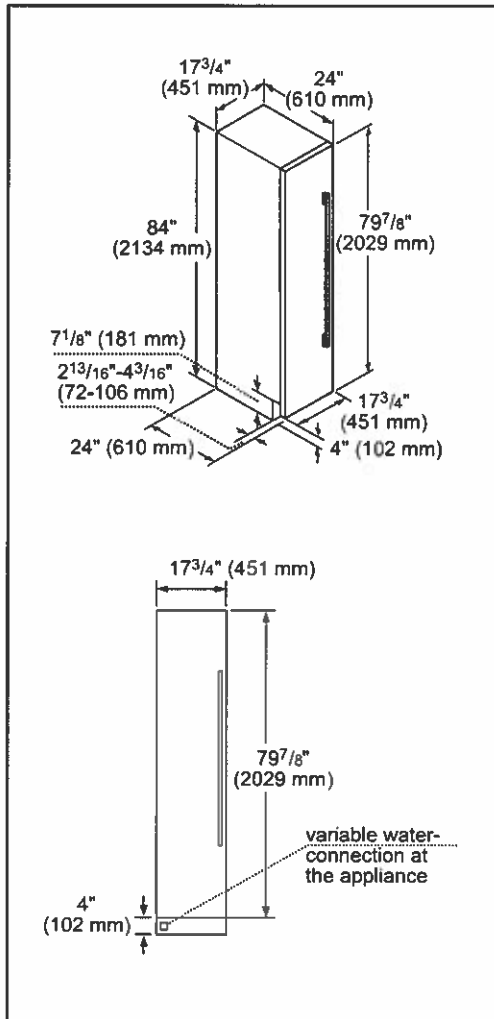
18" Built-In Custom Panel Single Door Freezer

Lot no. 66
2022-12-19
EW & JH



Benchmark® Series – Custom Panel B18IF905SP

Installation Details



HEATKITB82 Heater Kit
When two appliances are installed side-by-side a sealing kit must be used. For combinations that involve a freezer column, this kit is included. For all other (non-traditional, i.e. two bottom freezers) side-by-side combinations or instances where any appliances are installed less than 6" (152 mm) apart from one another but not connected side-by-side, purchase this kit. This kit is also recommended for use with any installation in areas that are subject to humidity, or located next to an outside wall.

IMPORTANT: Handleless Panels should not be installed on units without the soft close capability. If you are uncertain if you have a refrigeration unit with soft close capability please contact our customer team by calling 1-800-944-2904.

Accessories: To purchase Bosch accessories, cleaners & parts please visit www.bosch-home.com/us/store or call 1-800-944-2904 (Mon to Fri 5 am to 6 pm PST, Sat 6 am to 3 pm PST).
Notes: All height, width and depth dimensions are shown in inches. BSH reserves the absolute and unrestricted right to change product materials and specifications, at any time, without notice. Consult the product's installation instructions for final dimensional data and other details prior to making cutout.
Warranties: Please see Use & Care manual or Bosch website for statement of limited warranty.
For more information on our entire line of products, go to www.bosch-home.com/us or call 1-800-944-2904

© BSH Home Appliances Corporation. All rights reserved. Bosch is a registered trademark of Robert Bosch GmbH.

24" Pocket Handle Dishwasher

500 Series – Stainless Steel SHPM65W55N

Lot no. 66
2022-12-19
EW & JH

Lot 66



SHPM65W55N
Stainless Steel

The flexible 3rd rack allows you to accommodate deeper items, while adjustable tines let you customize the rack's loading space.

Features & Benefits

44 dBA: dishwasher runs quietly so your kitchen conversations aren't interrupted.

RackMatic® middle rack maximizes capacity by offering 3 height levels, for 9 possible rack positions.

The EasyGlide™ rack system provides a smooth glide for easier loading & unloading on the upper rack.

The AquaStop® leak protection system contains leaks through a precisely engineered system, giving you the ultimate peace of mind whether you are away or at home.

General Properties	
Number of wash cycles	5
Number of options	5
dBA	44
Drying system	PureDry
Third rack	Flexible 3rd Rack
Rack adjustability	Rackmatic®
Tub material	Stainless Steel
Control type	Buttons
Concealed heating element	Yes
Leak protection system	24/7 AquaStop®
NSF®-certified* sanitize option	Yes
Water softener	No
Five-level wash	Yes
ChildLock	No
Special features	InfoLight®, Extra Dry Option

Efficiency	
Water usage per cycle	2.9
Energy efficiency class	Tier 1
ENERGY STAR® qualified	Yes
Total annual energy consumption (kWh)	269
Total annual water consumption (g)	623.5

Capacity	
Number of place settings	16

Technical Details	
Watts (W)	1440 W
Current (A)	12 Amps
Volts (V)	120 V
Frequency (Hz)	60 Hz
Power cord full length	67"
Power cord install length from edge of unit when facing the door (in)**	Left – 45" Right – 56"
Minimum water pressure (lb/sin)	14
Length outlet hose (in)	79"

Dimensions & Weight	
Overall appliance dimensions (HxWxD) (in)	33 7/8" x 23 9/16" x 23 3/4"
Required cutout size (HxWxD) (in)	33 7/8" x 23 5/8" x 24"
Adjustable feet	Yes
Net weight (lbs)	91 lbs

Accessories—Optional	
Junction Box	SMZPCJB1UC
Bosch Dishwasher Water Supply Hose	SMZSH002UC
Drain Hose Extension Kit	SGZ1010UC
Dishwasher Accessory Kit	SMZ5000
Anti-Tarnish Silverware Cassette	SMZ5002UC
Edge Protector + Power Cord Clip Install Kit	SMZEPCC1UC



*Certification to NSF/ANSI Standard 184 for residential dishwashers.
**September 2020 running production change to remove adhesive routing clips for power cord. These clips and the edge protector are now included in the dishwasher accessory kit # SMZEPCC1UC.

Accessories: To purchase Bosch accessories, cleaners & parts please visit www.bosch-home.com/us/store or call 1-800-944-2904 (Mon to Fri 5 am to 6 pm PST, Sat 6 am to 3 pm PST).
Notes: All height, width and depth dimensions are shown in inches. BSH reserves the absolute and unrestricted right to change product materials and specifications, at any time, without notice. Consult the product's installation instructions for final dimensional data and other details prior to making cutout.
Warranties: Please see Use & Care manual or Bosch website for statement of limited warranty.
For more information on our entire line of products, go to www.bosch-home.ca or www.bosch-home.com/us or call 1-800-944-2904
 © BSH Home Appliances Corporation. All rights reserved. Bosch is a registered trademark of Robert Bosch GmbH.

24" Pocket Handle Dishwasher

500 Series – Stainless Steel SHPM65W55N

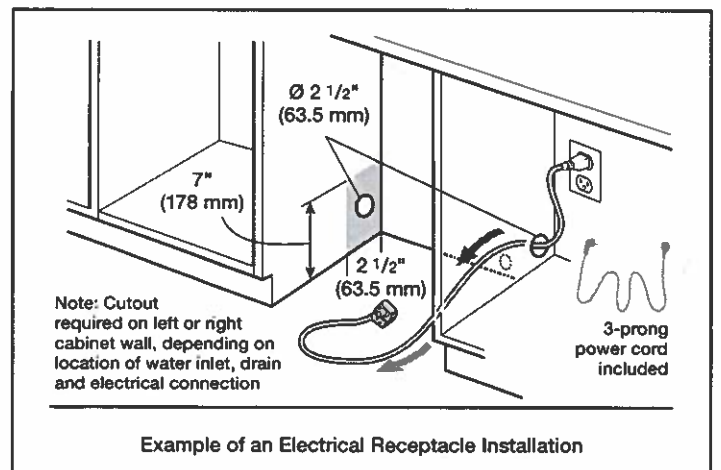
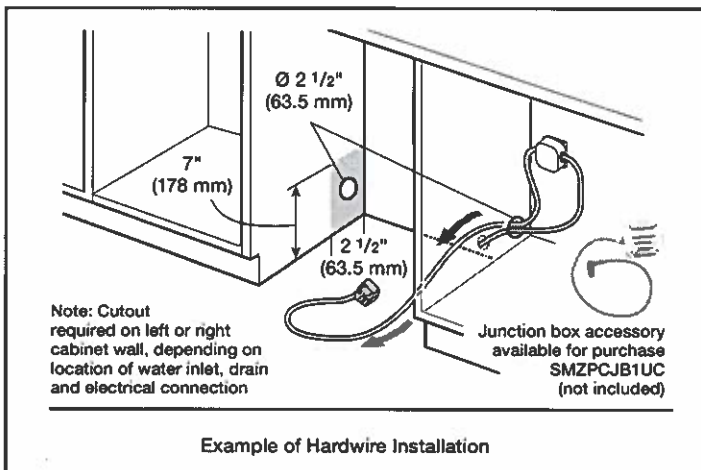
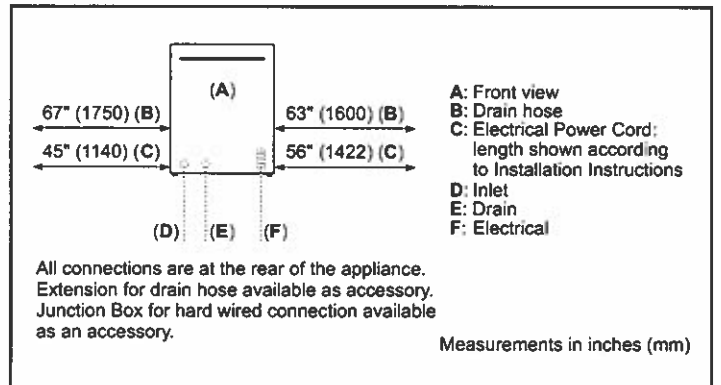
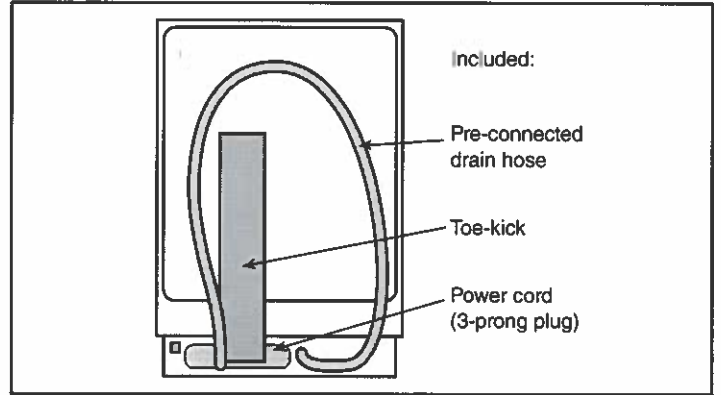
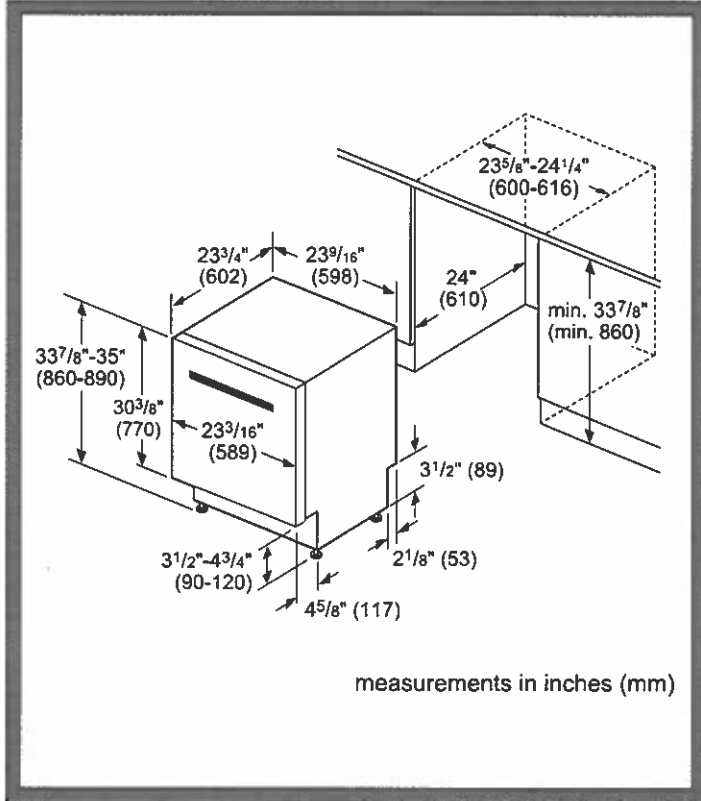
Lot 66

Lot no. 66
2022-12-19
EW & JH



BOSCH
Invented for life

Installation Details



Accessories: To purchase Bosch accessories, cleaners & parts please visit www.bosch-home.com/us/store or call 1-800-944-2904 (Mon to Fri 9 am to 6 pm PST, Sat 9 am to 3 pm PST).

Notes: All height, width and depth dimensions are shown in inches. BSH reserves the absolute and unrestricted right to change product materials and specifications, at any time, without notice. Consult the product's installation instructions for final dimensional data and other details prior to making cutout.

Warranties: Please see Use & Care manual or Bosch website for statement of limited warranty.

For more information on our entire line of products, go to www.bosch-home.ca or www.bosch-home.com/us or call 1-800-944-2904

© BSH Home Appliances Corporation. All rights reserved. Bosch is a registered trademark of Robert Bosch GmbH.

8/20 CA & COSTCO

24" Pocket Handle Dishwasher

500 Series – Stainless Steel SHPM65W55N

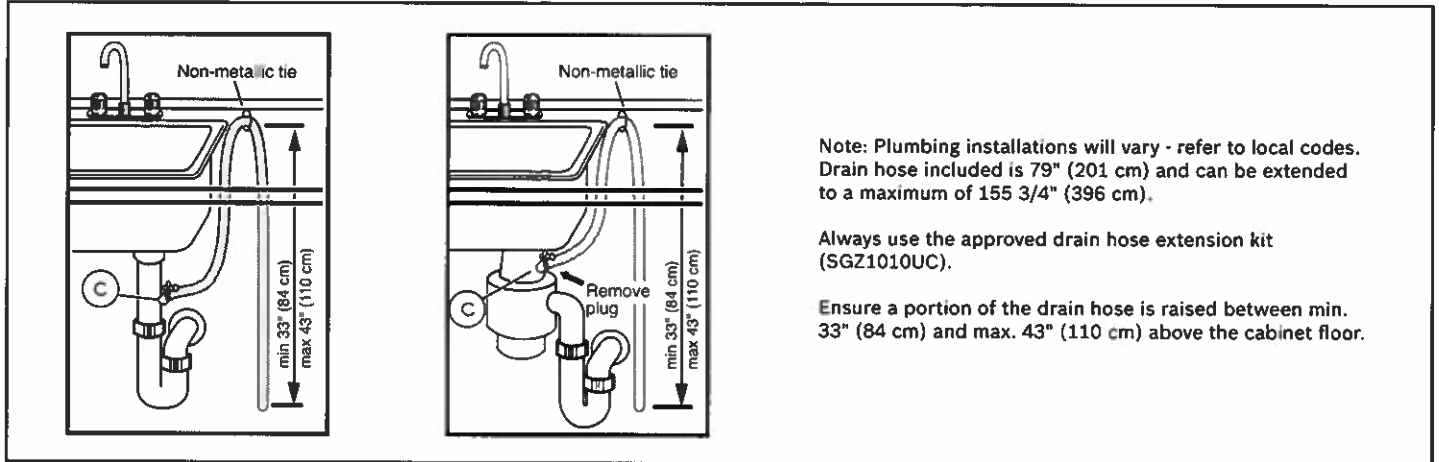
Lot no. 66
2022-12-19
EW & JH

Lot 66



BOSCH
Invented for life

Installation Details



Accessories: To purchase Bosch accessories, cleaners & parts please visit www.bosch-home.com/us/store or call 1-800-944-2904 (Mon to Fri 5 am to 6 pm PST, Sat 6 am to 3 pm PST).

Notes: All height, width and depth dimensions are shown in inches. BSH reserves the absolute and unrestricted right to change product materials and specifications, at any time, without notice. Consult the product's installation instructions for final dimensional data and other details prior to making cutout.

Warranties: Please see Use & Care manual or Bosch website for statement of limited warranty.

For more information on our entire line of products, go to www.bosch-home.ca or www.bosch-home.com/us or call 1-800-944-2904

© BSH Home Appliances Corporation. All rights reserved. Bosch is a registered trademark of Robert Bosch GmbH.

8/20 CA & COSTCO