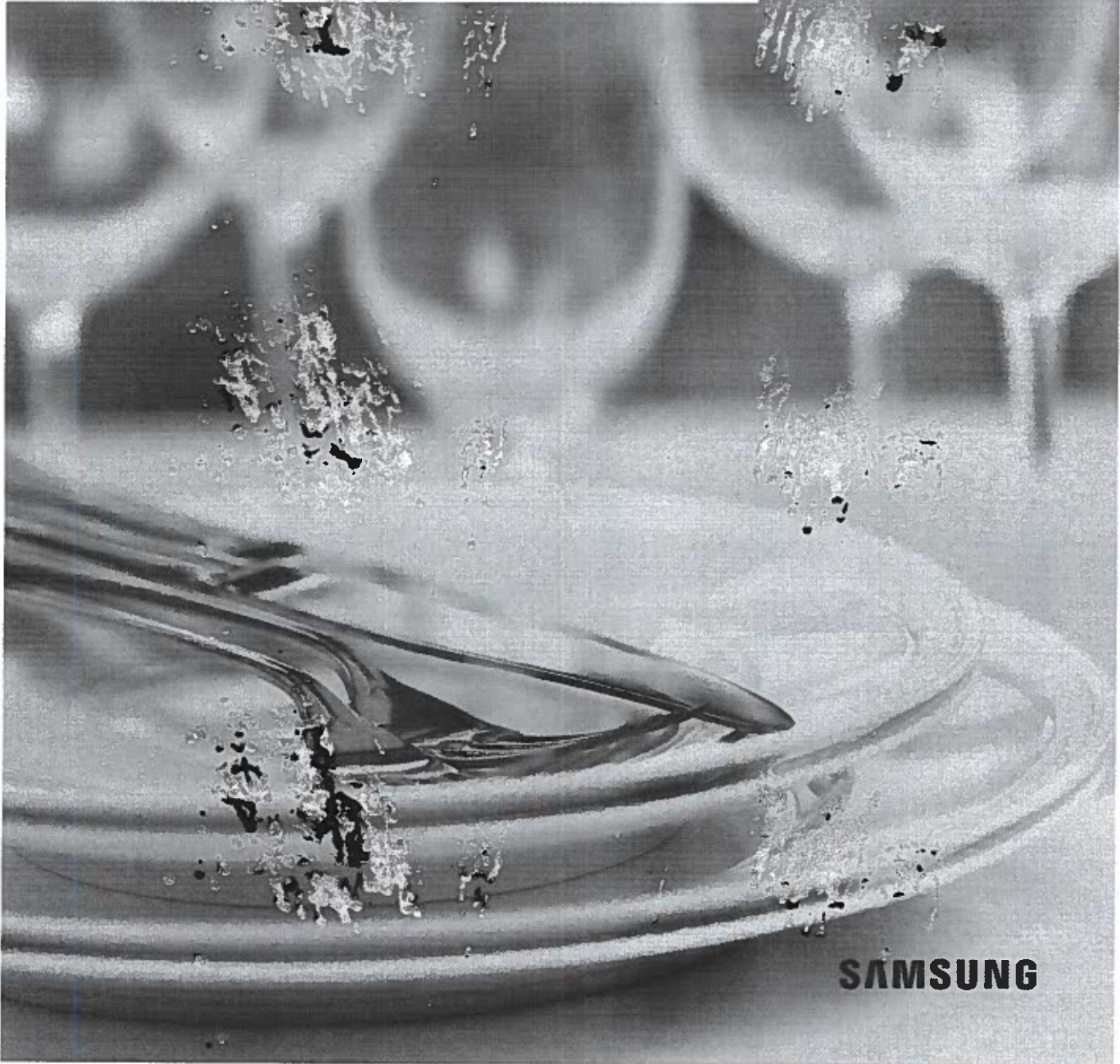


Lot 43 May 24, 22

# Dishwasher

Installation manual  
DW80R9950\* Series



**SAMSUNG**

Lot 213 ○○  
May 24, 22

## Specifications

Power supply	120 V, 15 A, 60 Hz AC
Water pressure	20~120 psi (140 ~ 830 kPa)
Dimensions (Width×Depth×Height)	23 <sup>7</sup> / <sub>8</sub> x 25 x 33 <sup>7</sup> / <sub>8</sub> in. (605 x 636 x 860 mm)
Minimum inlet water temperature	120 °F (49 °C)

**NOTE**

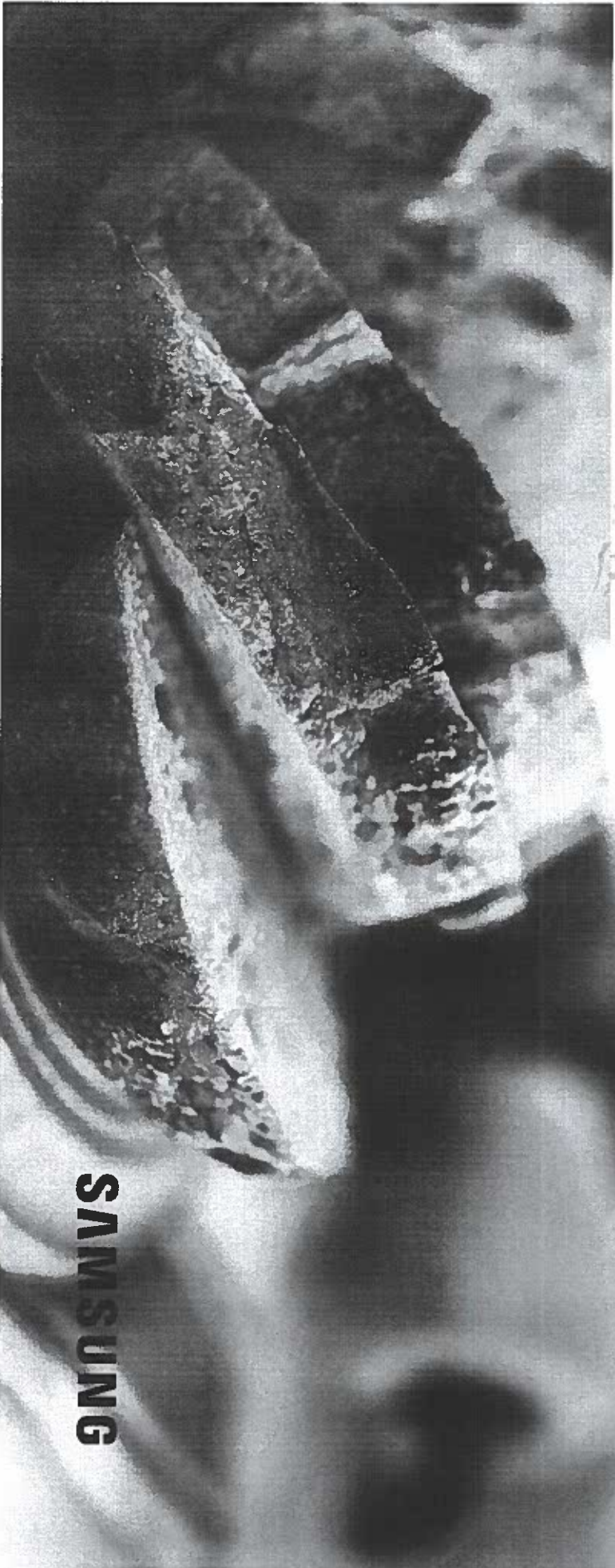
Specifications are subject to change without notice for quality improvement purposes.  
The actual appearance of the dishwasher may differ from the illustrations in this manual.

Lot 43 ○ ○  
May 24, 22

# **Built-In Electric Combination Oven**

## **Installation manual**

NQ70M6650D\*/NQ70M7770D\*



**SAMSUNG**

## Location requirements

**IMPORTANT:** Observe all governing codes and ordinances.

- Cabinet opening dimensions that are shown must be used.
- Given dimensions provide minimum clearance with oven.
- Recessed installation area must provide complete enclosure around the recessed portion of the oven.
- Grounded electrical supply is required. See "Electrical connection" section.
- Electrical supply junction box should be located 3" (7.6 cm) maximum below the support surface when the oven is installed in a wall cabinet. A 1" (2.5 cm) minimum diameter hole should have been drilled in the right rear or left rear corner of the support surface to pass the appliance cable through to the junction box.

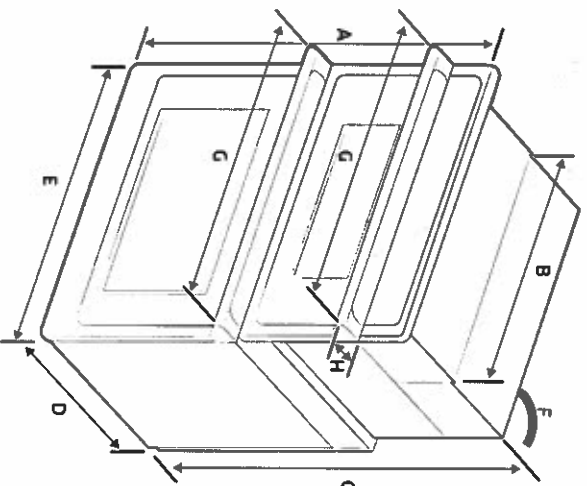
### NOTE

For under counter installation, it is recommended that the junction box be located in the adjacent right or left cabinet. If you are installing the junction box on rear wall behind oven, it is recommended that the junction box be recessed and located in the upper Right of the cabinet.

- Oven support surface must be solid, level and flush with bottom of cabinet cutout.
- Floor must be able to support a Combi oven weight of 287 lb (130 kg).

**IMPORTANT:** To avoid damage to your cabinets, check with your builder or cabinet supplier to make sure that the materials used will not discolor, delaminate or sustain other damage. This oven has been designed in accordance with the requirements of UL and CSA International and complies with the maximum allowable wood cabinet temperatures of 194 °F (90 °C).

## Product dimensions - Combi. ovens



DIMENSION	
A	43 1/4" (109.9 cm) Overall height
B	28 1/2" (72.4 cm) Recessed width
C	42" (106.5 cm) Recessed height
D	23 1/8" (58.7 cm) Recessed depth
E	29 3/4" (75.6 cm) Door Width
F	67" (170 cm) Conduit length
G	29 7/8" (75.9 cm) Overall width (Handle width)
H	2 9/16" (6.5 cm) Handle Depth

Lot 43

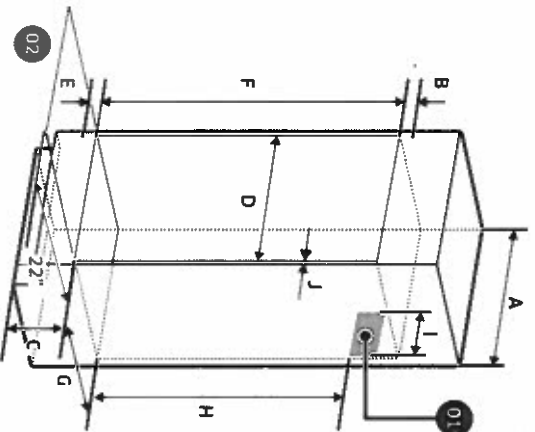
May 24, 22

## Preparation

### Cabinet dimensions - Combi. ovens

#### Combi Ovens Installed in Cabinet

- 01** Junction Box
- 02** Allow a minimum of 22" for clearance to adjacent corners, drawers, walls, etc. when door is open



Cabinet	DIMENSION
A	30" (76.2 cm)
B	Min. 1 3/16" (3.0 cm)
C	12" (30.5 cm)
D	Min. 28 1/2" / Max. 28 5/8" (Min. 72.4 cm / Max. 72.7 cm)
E	Min. 1" / Max. 1 1/4" (Min. 2.5 cm / Max. 3.2 cm)
F	42 1/4" (107.2 cm)

6 English

Cabinet	DIMENSION
G	Min. 23 1/2" (Min. 59.7 cm)
H	Min 30 1/2" (Min 755 mm)
I	Max. 9 1/2" (Max. 24.1 cm) - Junction Box
J	Min. 1 1/16" (1.75 cm) - Wooden cabinet thickness

If codes permit and a separate ground wire is used, it is recommended that a qualified electrical installer determine that the ground path and the wire gauge are in accordance with local codes.

Check with a qualified electrical installer if you are not sure the oven is properly grounded.

This oven must be connected to a grounded metal permanent wiring system. Be sure that the electrical connection and wire size are adequate and in conformance with the National Electrical Code, ANSI/NFPA 70-latest edition or CSA Standards C22.

1-94, Canadian Electrical Code, Part 1 and C22.2 No. 0-M91-latest edition, and all local codes and ordinances.

A copy of the above code standards can be obtained from:

National Fire Protection Association  
 1 Batterymarch Park  
 Quincy, MA 02169-7471

CSA International  
 8501 East Pleasant Valley Road  
 Cleveland, OH 44131-5575

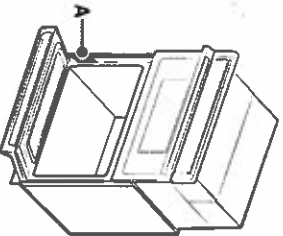
Preparation

Lot 43  
 May 24, 22

**Electrical Connection**

To properly install your oven, you must determine the type of electrical connection you will be using and follow the instructions provided in this manual.

- Oven must be connected to the proper electrical voltage and frequency as specified on the model/serial/rating plate. The model/serial/rating plate is located below the control panel on combi ovens. See the following illustrations



**Combi oven**  
A. Model/serial/rating plate

- A circuit breaker is recommended
- Use the chart below to determine the minimum recommended dedicated circuit protection.

KW Rating (240 V)	KW Rating (208 V)	Recommended Circuit Size (Dedicated)
≤4.8 KW	≤4.1 KW	20 Amp
4.9 KW - 7.5 KW	4.3 KW - 6.2 KW	30 Amp
7.3 KW - 9.6 KW	6.3 KW - 8.3 KW	40 Amp
9.7 KW - 12.0 KW	8.4 KW - 10.4 KW	50 Amp

- Connect directly to the circuit breaker box (or fused disconnect) through flexible, armored or nonmetallic sheathed, copper cable (with grounding wire). See "Electrical Connection" section.

- Flexible conduit from the oven should be connected directly to the junction box.

- Fuse both sides of the line.

- Do not cut the conduit. The length of conduit provided is for serviceability of the oven.

- A UL listed or CSA approved conduit connector must be provided.

- If the house has aluminum wiring, follow the procedure below:

1. Connect a section of solid copper wire to the ends of the flexible conduit leads.

2. Connect the aluminum wiring to the added section of copper wire using special connectors and/or tools designed and UL listed for joining copper to aluminum.

Follow the electrical connector manufacturer's recommended procedure.

Aluminum/copper connection must conform with local codes and industry accepted wiring practices

For power requirements for models NQ70M6550D, and NQ70M7770D refer to the following table

Model	240 VAC		208 VAC	
	KW		KW	
NQ70M6550D	8.2		6.2	
NQ70M7770D	9.5		7.2	

Preparation

Lot 45  
May 24, 22

# Installation requirements

## Pre-installation checklist

1. When preparing cooktop opening, make sure the inside of the cabinet, and the cooktop do not interfere with each other.
2. Remove packing materials, grate boxes, regulator with literature, and literature package from the cooktop before beginning installation.

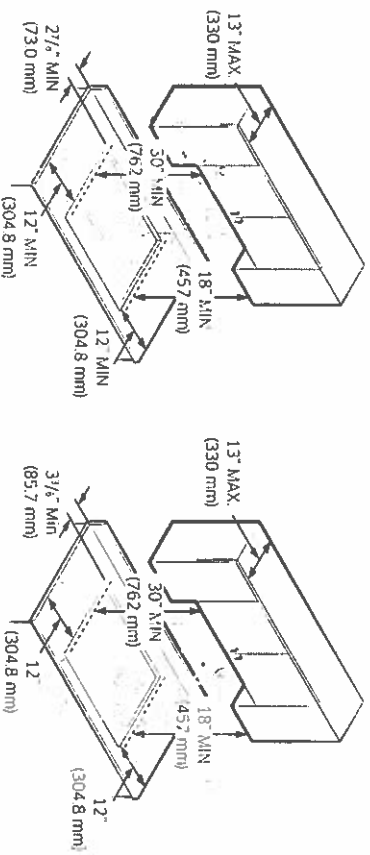
## Location requirements

**BEFORE YOU BEGIN** to install this appliance, refer to the following information, dimensions, and clearances. These dimensions must be met for safe use of the cooktop. The location of the electrical outlet and gas piping may be adjusted to meet the following dimensions and clearances.

### CAUTION

This cooktop has been designed to comply with the maximum allowable wood cabinet temperature of 194 °F (90 °C). Make sure the wall covering, countertops, and cabinets around the cooktop can withstand the heat (up to 194 °F (90 °C)) generated by the cooktop. If not, discoloration, delamination, or melting may occur.

Maintain the following minimum clearance dimensions

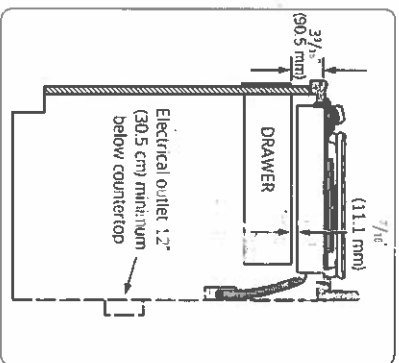


30" - NA30N6555T\*/NA30N7755T

36" - NA36N6555T\*/NA36N7755T

### NOTE

All horizontal clearances must be maintained for a minimum of 18" (457 mm) above the cooking surface.

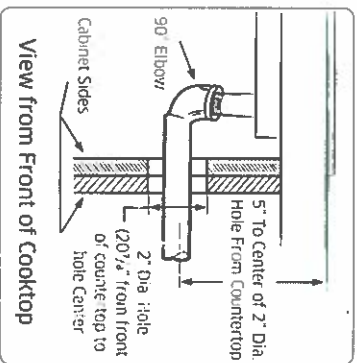


### NOTE

Allow 7/16" minimum vertical clearance from the cooktop bottom (or 39/16") minimum depth from the countertop) to any combustible surfaces, including the upper edge or a drawer installed below the cooktop.

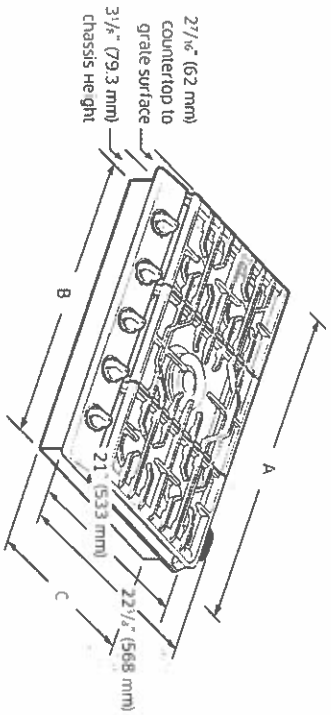
## Installation over built-in oven

See built-in oven installation for complete installation instructions.



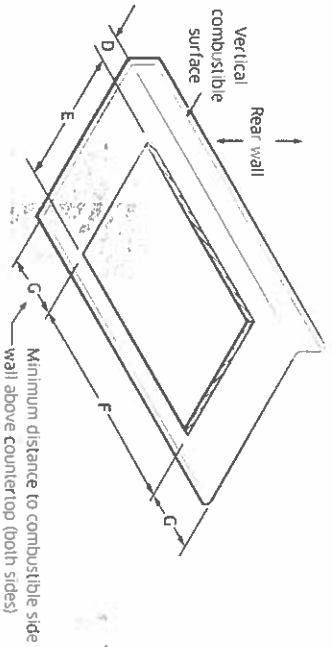
Dot 43  
May 24, 22

**Overall cooktop dimensions**



Model	A	B	C
NA30N6555T*	30"	28 <sup>1</sup> / <sub>8</sub> "	19 <sup>3</sup> / <sub>8</sub> "
NA30N7755T*	(762 mm)	(715 mm)	(492.1 mm)
NA36N6555T*	36"	33 <sup>11</sup> / <sub>16</sub> "	18 <sup>7</sup> / <sub>8</sub> "
NA36N7755T*	(914.4 mm)	(855 mm)	(479 mm)

**Cutout dimensions of countertop**

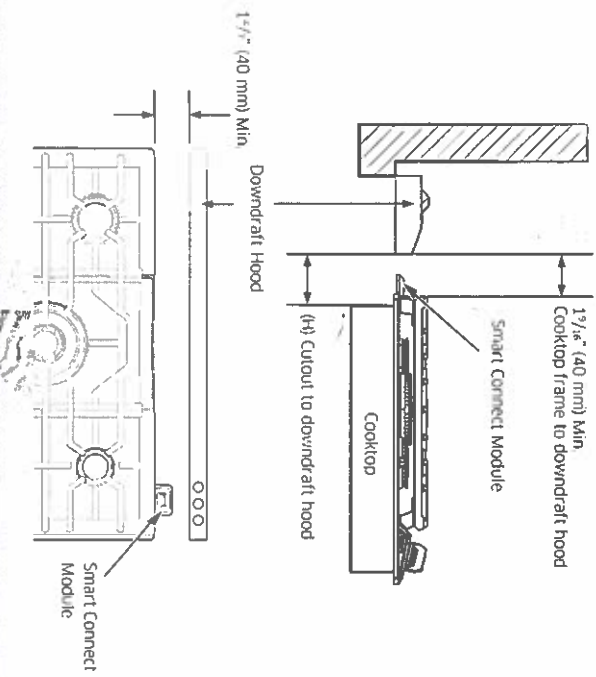


Model	(D) Min.	(E) Min.	(F) Min.	(G) Min.
NA30N6555T*	27 <sup>7</sup> / <sub>8</sub> "	19 <sup>5</sup> / <sub>8</sub> "	28 <sup>1</sup> / <sub>2</sub> "	12"
NA30N7755T*	(73 mm)	(498.5 mm)	(723.9 mm)	(304.8 mm)
NA36N6555T*	33 <sup>7</sup> / <sub>8</sub> "	19 <sup>1</sup> / <sub>8</sub> "	33 <sup>7</sup> / <sub>8</sub> "	12"
NA36N7755T*	(85.7 mm)	(485.8 mm)	(860.4 mm)	(304.8 mm)

**Installation dimensions with downdraft hood**

**NOTE**

- Make sure the clearance dimensions when you install the cooktop with downdraft hood.
- The cooktop can be installed after detaching Smart Connect module. Please refer to the instruction how to detach Smart Connect module on page 15.



Model	(H) Min.
NA30N6555T*	27 <sup>1</sup> / <sub>8</sub> " (62 mm)
NA30N7755T*	
NA36N6555T*	3" (76 mm)
NA36N7755T*	

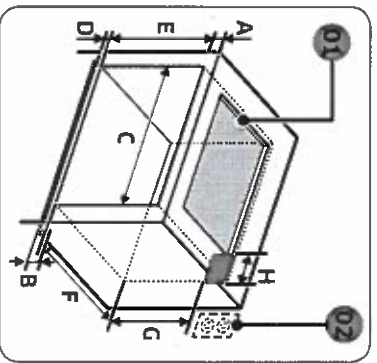
Installation requirements

Lot 43  
May 24, 22



# Installation requirements

## Single Oven Under counter

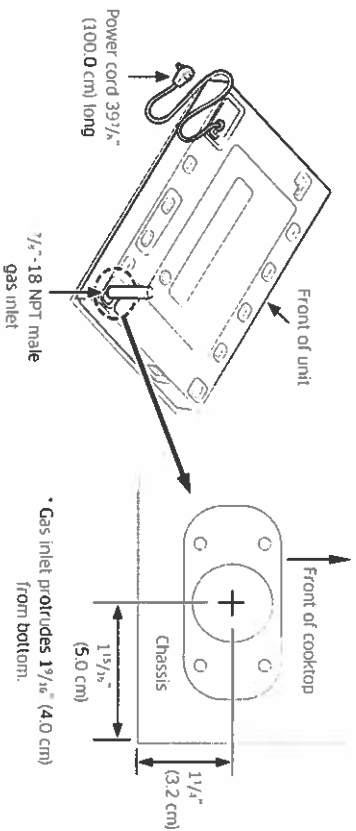


- 01 This cooktop can be installed above any Samsung single built-in oven. Refer to installation manual of oven.
- 02 Gas and Electrical Connections for Gas Cooktop Must be Located in an Adjacent Accessible Location to the Right.

	Size
A	Min. 31/2" (9.5 cm)
B	4" (10.1 cm)
C	Min. 281/2" / Max. 283/8" (Min. 72.4 cm / Max. 72.7 cm)
D	Min. 1" / Max. 11/4" (Min. 2.5 cm / Max. 3.2 cm)
E	Min. 271/4" / Max. 273/8" (Min. 69.2 cm / Max. 69.5 cm)
F	24" (61 cm)
G	Min. 22" (Min. 55.9 cm)
H	Max. 91/2" (Max. 24.1 cm) - Junction Box

Installation requirements

## Utility locations and dimensions



## Gas supply requirements

### Provide adequate gas supply

This cooktop is designed to operate at a pressure of 5 in (13 cm) of water column on natural gas or 10 in (25 cm) of water column on LP gas (propane or butane).

Make sure you are supplying your cooktop with the type of gas for which it is designed. Do not attempt to convert the appliance from the gas specified in this manual to a different gas without consulting the gas supplier.

This cooktop is convertible for use on natural or propane gas. If you decide to use this cooktop on LP gas, conversion must be made by a qualified LP installer before attempting to operate the cooktop.

For proper operation, the pressure of natural gas supplied to the regulator must be between 5 in and 13 in (13 cm and 33 cm) of water column.

For LP gas, the pressure supplied must be between 10 in and 13 in (25 cm and 33 cm) of water column.

When checking for proper operation of the regulator, the inlet pressure must be at least 1 in (2.5 cm) greater than the operating (manifold) pressure as given.

Lot #13  
May 24, 22

The pressure regulator located at the inlet of the cooktop manifold must remain in the supply line regardless of whether natural or LP gas is being used.

**NOTE**

- The cooktop comes from the factory with a regulator in the shipping carton. Use only the regulator provided. The regulator must be installed in the gas line that runs from the cooktop gas inlet to the gas shut off valve.
- An external manual shut-off valve must be installed between the gas inlet and the cooktop for the purpose of turning on or shutting off gas to the appliance.
- Be sure the connectors are installed when you need coupling by a qualified installer.
- Never reuse old connectors when installing the cooktop. The use of old connectors can cause gas leaks and personal injury. Always use new flexible connectors when installing a gas appliance.

**Special gas requirements (gas models sold in Massachusetts)**

**COMMONWEALTH OF MASSACHUSETTS REQUIREMENTS:**

**WARNING**

- Gas leaks may occur in your system, creating a dangerous situation.
  - Gas leaks may not be detected by smell alone.
  - Gas suppliers recommend you purchase and install a UL-approved gas detector. Gas detector should be installed in accordance with the manufacturers instructions.
- Cooktop must be installed by a qualified plumber or gas fitter by the State of Massachusetts.
- A T-handle manual gas valve **MUST** be installed in the gas supply line to your cooktop.
- If a flexible gas connector is used to install your cooktop, multiple flexible gas lines must not be connected in series.

**Electrical requirements**

**WARNING**

- It is the owner's responsibility to make sure that the electrical service meets electrical requirements and that the electrical outlet has been properly installed by a licensed electrician.
- To reduce the risk of fire, electric shock, or personal injury:

**All cooktops**

- Do not use an extension cord or adapter plug with this cooktop.
- This cooktop must be properly grounded.
- Check with a qualified electrician if you are in doubt as to whether your cooktop is properly grounded.
- Do not modify the plug provided with your cooktop – if it doesn't fit the outlet, have a proper outlet installed by a qualified electrician.
- All wiring and grounding must be done in accordance with local codes or, in the absence of local codes, with the National Electrical Code, ANSI/NFPA No. 70 – Latest Revision (for the U.S.) or the Canadian Electrical Code CSA C22.1 – Latest Revisions and local codes and ordinances.
- Wiring diagram is located on the inside of the burner box.
- This cooktop is equipped with an electronic ignition system that will not operate if plugged into an outlet that is not properly polarized.

**Gas cooktops**

- All gas models are equipped with a power cord with an equipment-grounding conductor and a grounding plug.
- A 120-Volt, 60-Hz, AC, approved electrical service with 20-amp circuit breaker or time-delay fuse is required for all U.S. and Canadian models.

Installation requirements

Lot #13  
May 24, 22

# Installation Requirements

Lot 43 ( ) ( )  
May 24, 22

## Electrical Requirements

### IMPORTANT

Observe all governing codes and ordinances.

It is the customer's responsibility:

To contact a qualified electrical installer.

To assure that the electrical installation is adequate and in conformance with National Electrical Code, ANSI/NFPA 70 — latest edition\*, or CSA Standards C22.1-94, Canadian Electrical Code, Part 1 and C22.2 No. 0-M91 - latest edition\*\* and all local codes and ordinances.

If codes permit and a separate ground wire is used, it is recommended that a qualified electrician determine that the ground path is adequate. A copy of the above code standards can be obtained from:

National Fire Protection Association

1 Batterymarch Park

Quincy, MA 02169-7471

CSA International

8501 East Pleasant Valley Road

Cleveland, OH 44131-5575

- A 120 volt, 60 Hz., AC only, 15-amp, fused electrical circuit is required.
- If the house has aluminum wiring, follow the procedure below:
  1. Connect a section of solid copper wire to the pigtail leads.
  2. Connect the aluminum wiring to the added section of copper wire using special connectors and/or tools designed and UL listed for joining copper to aluminum.
- Follow the electrical connector manufacturer's recommended procedure. Aluminum/copper connection must conform with local codes and industry accepted wiring practices.
- Wire sizes and connections must conform with the rating of the appliance as specified on the model/serial rating plate. The model serial plate is located behind the filter on the rear wall of the range hood.
- Wire sizes must conform to the requirements of the National Electrical Code, ANSI/NFPA 70 (latest edition), or CSA Standards C22.1-94, Canadian Electrical Code, Part 1 and C22.2 No. 0-M91 (latest edition) and all local codes and ordinances.

## Venting Requirements (ducted models only)

- Vent system must terminate outdoors.
- Do not terminate the vent system in an attic or other enclosed area.
- Do not use a 4" (10.2 cm) laundry-type wall cap.
- Use metal vent only. Rigid metal vent is recommended. Plastic or metal foil vent is not recommended.
- The length of the vent system and the number of elbows should be kept to a minimum to provide efficient performance.

### For the most efficient and quiet operation:

- Use no more than three 90° elbows.
- Make sure there is a minimum of 24" (61 cm) of straight vent between the elbows if more than 1 elbow is used.
- Do not install 2 elbows together.
- Use clamps to seal all joints in the vent system.
- The vent system must have a damper. If the roof or wall cap has a damper, do not use the damper supplied with the range hood.
- Use caulking to seal the exterior wall or roof opening around the cap.
- The size of the vent should be uniform.

## Venting Methods

To use the hood's top outlet to vent your hood, a 6" (15.2 cm) round vent system is required. To use the hood's rear outlet, a 3¼" x 10" (8.25 x 25.4 cm) rectangular vent system is required. Neither of these vent systems are included and must be purchased separately.

### NOTE

Flexible vent is not recommended. Flexible vent creates back pressure and air turbulence that greatly reduce performance. The vent system can terminate either through the roof or wall. To vent through a wall, a 90° elbow is needed.

### Mounting Height

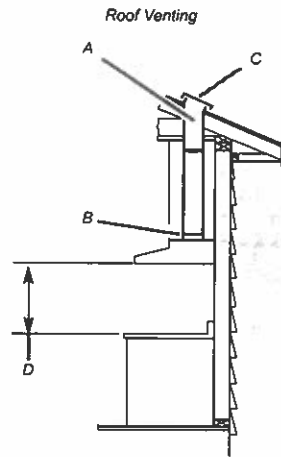
Select a mounting height between a minimum of 24" (61 cm) for an electric cooking surface, a minimum of 27" (68.6 cm) for a gas cooking surface, and a suggested maximum of 36" (91.4 cm) above the range to the bottom of the hood.

### Rear discharge

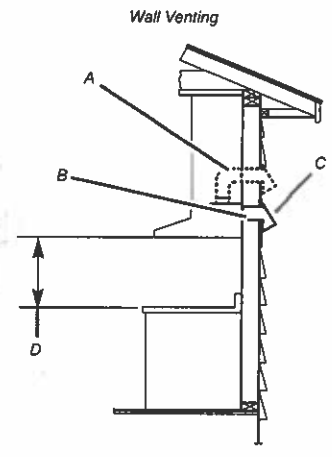
A 90° elbow may be installed immediately above the hood.

### For Non-Vented (recirculating) Installations

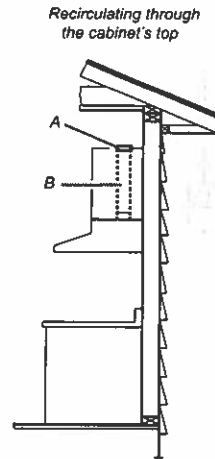
If it is not possible to vent cooking fumes and vapors to the outside, the hood can be used in the non-vented (recirculating) version, fitting a charcoal filter and a plastic grid. Fumes and vapors are recycled through the a recirculation grid.



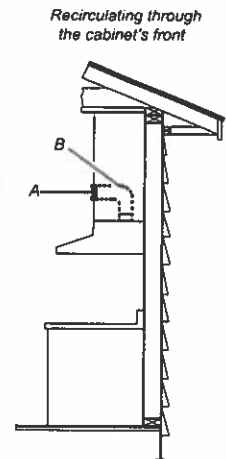
A. 6" (15.2 cm) round vent  
B. 6" (15.2 cm) round transition  
C. Roof cap  
D. Installation height



A. 6" (15.2 cm) round vent + 90° elbow  
B. 3¼" x 10" (8.25 x 25.4 cm) rectangular vent  
C. Wall cap  
D. Installation height



A. Recirculation grid  
B. 6" (15.2 cm) round vent



A. Recirculation grid  
B. 6" (15.2 cm) round vent + 90° elbow