



# CONSTRUCTION SUMMARY

## Indulgence - 4 - 1 - Alta Vista Elev. B

Registere Plan Number: Municipal Address: 567 Highvalley Drive Closing: 15-Jun-20  
CABINETRY

Inv. 82	1 - KITCHEN: INSTALL 36" RANGETOP CABINET (25H)
40	
Line 1218	Note:
20Mar20 / 14May20	
Inv. 82	1 - KITCHEN: DELETE CABINETS ABOVE STOVE FOR FUTURE CHIMNEY HOOD FAN
41	
Line 1219	Note:
20Mar20 / 14May20	
Inv. 82	1 - KITCHEN: INSTALL STACKED CABINETS THROUGHOUT KITCHEN AND SERVERY (03A)
42	
Line 1220	Note:
20Mar20 / 14May20	
Inv. 82	24 - KITCHEN: INSTALL CLEAR GLASS DOORS IN STACKED CABINETS THROUGHOUT KITCHEN AND SERVERY (22A)
43	
Line 1221	Note:
20Mar20 / 14May20	
Inv. 82	4 - KITCHEN: INSTALL 4 CLEAR GLASS DOORS (2 SETS OF 2). SEE SKETCH FOR LOCATION. (22A)
44	
Line 1222	Note:
20Mar20 / 14May20	
Inv. 82	1 - KITCHEN: INSTALL CROWN MOULDING TO FINISH CEILING ABOVE STACKED CABINETS THROUGHOUT KITCHEN AND SERVERY
45	
Line 1223	Note:
20Mar20 / 14May20	
Inv. 82	1 - KITCHEN: INSTALL ADDITIONAL BANK OF DRAWERS TO OPPOSITE SIDE OF STOVE. SEE SKETCH FOR LOCATION (11B)
46	
Line 1224	Note:
20Mar20 / 14May20	
Inv. 82	1 - KITCHEN: INSTALL RECYCLING CENTRE BESIDE SINK CABINET. SEE SKETCH (20B)
47	
Line 1225	Note:
20Mar20 / 14May20	
Inv. 82	1 - ENSUITE 2: INSTALL ONE BANK OF DRAWERS IN ENSUITE 2. SEE SKETCH. (11D)
48	
Line 1226	Note:
20Mar20 / 14May20	
Inv. 82	1 - MASTER ENSUITE: INSTALL LEVEL 7 CABINETS IN MASTER ENSUITE
63	
Line 1238	Note:
20Mar20 / 14May20	
Inv. 82	1 - KITCHEN: INSTALL LEVEL 2 HARDWARE THROUGHOUT KITCHEN AND SERVERY (03G)
56	
Line 1233	Note:
20Mar20 / 14May20	
Inv. 82	1 - KITCHEN: INSTALL LEVEL 7 CABINETS THROUGHOUT KITCHEN
52	
Line 1230	Note:
20Mar20 / 14May20	

RECEIVED

JUN 22 2020

**Indulgence - 4 - 1 - Alta Vista Elev. B**

 Register Plan Number: Municipal Address: **567 Highvalley Drive** Closing: **15-Jun-20**

Inv. <b>82</b>	<b>1 - KITCHEN: INSTALL LEVEL 7 CABINETS THROUGHOUT SERVERY</b>
<b>53</b>	Note:
Line <b>1231</b>	
20Mar20 / 14May20	

**CEILING**

Inv. <b>122</b>	<b>1 - SECOND FLOOR: INSTALL SMOOTH CEILINGS THROUGHOUT SECOND FLOOR</b>
<b>99</b>	Note:
Line <b>1671</b>	
16Jun20 / 22Jun20	

**CERAMIC TILE**

Inv. <b>82</b>	<b>1 - MAIN FLOOR ENSUITE: INSTALL UPGRADE 6 FLOOR TILES IN MAIN FLOOR ENSUITE</b>
<b>73</b>	Note:
Line <b>1308</b>	
20Mar20 / 14May20	

Inv. <b>82</b>	<b>1 - FOYER: INSTALL UPGRADE 6 FLOOR TILES IN FOYER</b>
<b>64</b>	Note:
Line <b>1239</b>	
20Mar20 / 14May20	

Inv. <b>82</b>	<b>1 - MAIN HALL: INSTALL UPGRADE 6 FLOOR TILES IN MAIN HALL</b>
<b>65</b>	Note:
Line <b>1240</b>	
20Mar20 / 14May20	

Inv. <b>82</b>	<b>1 - PANTRY/ SERVERY: INSTALL UPGRADE 6 FLOOR TILES IN PANTRY/ SERVERY</b>
<b>66</b>	Note:
Line <b>1241</b>	
20Mar20 / 14May20	

Inv. <b>82</b>	<b>1 - POWDER ROOM 1: INSTALL UPGRADE 6 FLOOR TILES IN POWDER ROOM 1</b>
<b>67</b>	Note:
Line <b>1242</b>	
20Mar20 / 14May20	

Inv. <b>82</b>	<b>1 - POWDER ROOM 2: INSTALL UPGRADE 6 FLOOR TILES IN POWDER ROOM 2</b>
<b>68</b>	Note:
Line <b>1243</b>	
20Mar20 / 14May20	

Inv. <b>82</b>	<b>1 - SIDE HALL: INSTALL UPGRADE 6 FLOOR TILES IN SIDE HALL (AT POWDER RM)</b>
<b>69</b>	Note:
Line <b>1244</b>	
20Mar20 / 14May20	

Inv. <b>82</b>	<b>1 - KITCHEN/ BREAKFAST: INSTALL UPGRADE 6 FLOOR TILES IN KITCHEN/ BREAKFAST</b>
<b>70</b>	Note:
Line <b>1245</b>	
20Mar20 / 14May20	

Inv. <b>82</b>	<b>1 - BASEMENT LANDING: INSTALL UPGRADE 6 FLOOR TILES IN BASEMENT LANDING</b>
<b>71</b>	Note:
Line <b>1246</b>	
20Mar20 / 14May20	

Inv. <b>82</b>	<b>1 - MUDROOM: INSTALL UPGRADE 6 FLOOR TILES IN MUDROOM</b>
<b>72</b>	Note:
Line <b>1247</b>	
20Mar20 / 14May20	

# CONSTRUCTION SUMMARY

## Indulgence - 4 - 1 - 1 - Alta Vista Elev. B

Registere Plan Number: Municipal Address: **567 Highvalley Drive** Closing: **15-Jun-20**

Inv.82 74 Line 1248 20Mar20 / 14May20	<b>1 - MASTER ENSUITE FLOOR: INSTALL UPGRADE 6 FLOOR TILES IN MASTER ENSUITE FLOOR</b> Note:
Inv.82 75 Line 1249 20Mar20 / 14May20	<b>1 - MASTER ENSUITE SHOWER FLOOR: INSTALL UPGRADE 6 FLOOR TILES IN MASTER ENSUITE SHOWER FLOOR</b> Note:
Inv.82 76 Line 1250 20Mar20 / 14May20	<b>1 - MASTER ENSUITE SHOWER WALL: INSTALL UPGRADE 5 FLOOR TILES ON MASTER ENSUITE SHOWER WALL</b> Note:
Inv.82 77 Line 1252 20Mar20 / 14May20	<b>1 - ENSUITE 2: INSTALL 3RD UPGRADE TILE ON SHOWER WALL</b> Note:
Inv.82 78 Line 1253 20Mar20 / 14May20	<b>1 - ENSUITE 3: INSTALL 3RD UPGRADE TILE ON SHOWER WALL</b> Note:
Inv.82 79 Line 1254 20Mar20 / 14May20	<b>1 - ENSUITE 4: INSTALL 3RD UPGRADE TILE ON SHOWER WALL</b> Note:
Inv.94 2 Line 1209 13Apr20 / 14Apr20	<b>1 - 24 X 24" MINIMUM PORCELAIN TILES</b> Note:

## CONSTRUCTION

Inv.82 23 Line 1079 20Mar20 / 14May20	<b>1 - MASTER ENSUITE: INSTALL SHOWER SEAT IN MASTER ENSUITE SHOWER STALL.</b> Note:
Inv.82 93 Line 1309 20Mar20 / 14May20	<b>1 - DEN/ MAIN FLOOR BEDROOM: MAKE DOUBLE DOOR ENTRY, INCL. ADDITIONAL DOOR AND MOVE CLOSET LOCATION.</b> Note:
Inv.82 94 Line 1310 20Mar20 / 14May20	<b>1 - MASTER ENSUITE: ADJUST POST IN TOILET ROOM TO MAKE A WIDER OPENING.</b> INSTALL LARGER DOOR Note:
Inv.82 89 Line 1264 20Mar20 / 14May20	<b>1 - MASTER ENSUITE WALK-IN CLOSETS: DELETE CENTRE WALL IN CLOSETS TO MAKE ONE LARGE ROOM. RELOCATE DOORS TO THE SIDE CLOSER TO THE ENTRY DOORS. SEE SKETCH</b> Note:
Inv.82 90 Line 1265 20Mar20 / 14May20	<b>1 - MASTER BEDROOM: INSTALL FIREPLACE ON WALL THAT BACKS ONTO THE CLOSET. TO BE CENTRED BETWEEN THE DOORS AND BACK WALL, AS PER SKETCH</b> Note:



# CONSTRUCTION SUMMARY

## Indulgence - 4 - 1 - Alta Vista Elev. B

Registere Plan Number: Municipal Address: 567 Highvalley Drive Closing: 15-Jun-20

Inv. 82	1 - FOYER/ MAIN HALL: DELETE LOW ARCH BETWEEN THE FOYER AND MAIN HALL
88	Note:
Line 1268	
20Mar20 / 14May20	
Inv. 82	1 - MASTER ENSUITE: INSTALL UPGRADED CAESARSTONE ON VANITY COUNTERTOP
62	Note:
Line 1237	
20Mar20 / 14May20	

## COUNTERTOP

Inv. 82	1 - MASTER ENSUITE: DO NOT INSTALL ANY HARDWARE IN MASTER ENSUITE VANITY.
57	Note: PURCHASER IS AWARE THAT IF A MISTAKE IS MADE AND HOLES ARE DRILLED, THEY WILL ACCEPT THE CABINETS AS IS.
Line 1305	
20Mar20 / 14May20	
Inv. 82	1 - KITCHEN BACKSPLASH: DO NOT INSTALL STANDARD BACKSPLASH. PURCHASER TO DO AFTER CLOSING
55	Note:
Line 1306	
20Mar20 / 14May20	
Inv. 82	1 - MAIN FLOOR ENSUITE: INSTALL UPGRADED CAESARSTONE ON VANITY COUNTERTOP
61	Note:
Line 1307	
20Mar20 / 14May20	
Inv. 82	1 - KITCHEN: INSTALL MSI 2 KITCHEN COUNTER TOP THROUGHOUT KITCHEN AND SERVERY
54	Note:
Line 1232	
20Mar20 / 14May20	
Inv. 82	1 - ENSUITE 2: INSTALL UPGRADED CAESARSTONE ON VANITY COUNTERTOP
58	Note:
Line 1234	
20Mar20 / 14May20	
Inv. 82	1 - ENSUITE 3: INSTALL UPGRADED CAESARSTONE ON VANITY COUNTERTOP
59	Note:
Line 1235	
20Mar20 / 14May20	
Inv. 82	1 - ENSUITE 4: INSTALL UPGRADED CAESARSTONE ON VANITY COUNTERTOP
60	Note:
Line 1236	
20Mar20 / 14May20	
Inv. 94	1 - QUARTZ
6	Note:
Line 1213	
13Apr20 / 14Apr20	

## ELECTRICAL

Inv. 94	1 - 30 POT LIGHTS
4	Note:
Line 1211	
13Apr20 / 14Apr20	
Inv. 82	1 - SERVERY: INSTALL RECEPTACLES - DEDICATED 15 AMP 120 VOLT RECEPTABLE- FOR FUTURE WINE FRIDGE IN SERVERY. SEE SKETCH FOR LOCATION
50	Note:
Line 1228	
20Mar20 / 14May20	

# CONSTRUCTION SUMMARY

## Indulgence - 4 - 1 - Alta Vista Elev. B

Registere Plan Number: Municipal Address: **567 Highvalley Drive** Closing: **15-Jun-20**

Inv. <b>82</b>	<b>1 - KITCHEN: INSTALL RECEPTACLES - DEDICATED 15 AMP 120 VOLT RECEPTABLE FOR GAS STOVE</b>
Line <b>1082</b>	Note:
20Mar20 / 14May20	
Inv. <b>82</b>	<b>1 - KITCHEN: INSTALL RECEPTACLES - DEDICATED 120 VOLT RECEPTABLE- FOR FUTURE FREEZER. TO GO BETWEEN FRIDGE AND WALLOVEN. SEE FLOOR PLAN FOR LOCATION</b>
Line <b>1084</b>	Note:
20Mar20 / 14May20	
Inv. <b>82</b>	<b>6 - MAIN FLOOR POT LIGHTS: SWITCHES - INSTALL 6 (SIX) DIMMERS FOR LED POT LIGHTS. FOR : KITCHEN, BREAKFAST AREA, MAIN HALL, GREAT ROOM, DINING ROOM AND MAIN HALL</b>
Line <b>1085</b>	Note:
20Mar20 / 14May20	<b>**DO NOT INSTALL DIMMER FOR SERVERY LIGHTS**</b>
Inv. <b>82</b>	<b>5 - VALANCE LIGHTING - UNDER CABINET - T-5 LED VALANCE LIGHT. THIS INCLUDES SERVERY</b>
Line <b>1086</b>	Note:
20Mar20 / 14May20	<b>*PURCHASER MUST BUY VALANCE FROM CABINET COMPANY AT THE TIME OF COLOUR SELECTION*</b>
Inv. <b>82</b>	<b>1 - MAIN FLOOR: POT LIGHT - 4" LED NON-INSULATED CEILINGS- 30 (THIRTY) POT LIGHTS LOCATIONS GIVEN IN THE APS HAVE BEEN PLACED. SEE SKETCH FOR LOCATIONS. LOCATIONS MAY VARY SLIGHTLY DUE TO JOIST LOCATIONS</b>
Line <b>1087</b>	Note:
20Mar20 / 14May20	<b>*KEEP ALL STANDARD LIGHTS IN ADDITION TO POTS*</b>
Inv. <b>82</b>	<b>8 - BREAKFAST AREA: INSTALL 8 (EIGHT) ADDITIONAL POT LIGHTS - 4" LED NON-INSULATED CEILINGS TO GO IN BREAKFAST AREA. SEE SKETCH FOR LOCATION. LOCATIONS MAY VARY SLIGHTLY DUE TO JOIST LOCATIONS</b>
Line <b>1088</b>	Note:
20Mar20 / 14May20	<b>THESE ARE ABOVE THE AMOUNT GIVEN IN THE APS</b>
Inv. <b>82</b>	<b>1 - KITCHEN: CEILING FIXTURE - RELOCATE STANDARD CEILING FIXTURE. TO GO ABOVE KITCHEN ISLAND. SEE SKETCH FOR LOCATION. LOCATIONS MAY VARY SLIGHTLY DUE TO JOIST LOCATIONS</b>
Line <b>1089</b>	Note:
20Mar20 / 14May20	
Inv. <b>82</b>	<b>1 - BELL AND CABLE LOCATION SKETCH. LOCATIONS MAY VARY SLIGHTLY DUE TO JOIST LOCATIONS</b>
Line <b>1070</b>	Note:
20Mar20 / 14May20	
Inv. <b>82</b>	<b>1 - GREAT ROOM: INSTALL ONE RECEPTACLE - DEDICATED 15 AMP 120 VOLT RECEPTABLE, ABOVE FIREPLACE FOR FUTURE TV</b>
Line <b>1071</b>	Note:
20Mar20 / 14May20	

# CONSTRUCTION SUMMARY

## Indulgence - 4 - 1 - Alta Vista Elev. B

Registere Plan Number: Municipal Address: **567 Highvalley Drive** Closing: **15-Jun-20**

Inv. <b>82</b>	<b>4 - GREAT ROOM: INSTALL 4 (FOUR) ADDITIONAL POT LIGHTS - 4" LED NON-INSULATED CEILINGS TO GO IN GREAT ROOM. SEE SKETCH FOR LOCATION. LOCATIONS MAY VARY SLIGHTLY DUE TO JOIST LOCATIONS</b>
Line <b>1187</b>	THESE ARE ABOVE THE AMOUNT GIVEN IN THE APS (4 ARE ALREADY GIVEN IN APS) Note:
20Mar20 / 14May20	
Inv. <b>82</b>	<b>1 - MASTER BEDROOM: INSTALL ONE RECEPTACLE - DEDICATED 15 AMP 120 VOLT RECEPTABLE, ABOVE FIREPLACE FOR FUTURE TV</b>
Line <b>1303</b>	Note:
20Mar20 / 14May20	
Inv. <b>82</b>	<b>1 - MASTER BEDROOM: INSTALL RECEPTACLES - DEDICATED 15 AMP 120 VOLT RECEPTABLE. FOR WALL MOUNT FIREPLACE</b>
Line <b>1266</b>	Note:
20Mar20 / 14May20	

### FIREPLACE

Inv. <b>82</b>	<b>1 - MASTER BEDROOM: INSTALL ALLURA VISION 42" SLIM ELECTRIC FIREPLACE, GLASS FRONT, BLACK.</b>
Line <b>1267</b>	MODEL: NEFL42CHS Note:
20Mar20 / 14May20	
Inv. <b>94</b>	<b>1 - GAS F/P IN FAMILY ROOM</b>
Line <b>1215</b>	Note:
13Apr20 / 14Apr20	

### HARDWOOD FLOORING

Inv. <b>82</b>	<b>1 - DEN: INSTALL LEVEL 3 HARDWOOD IN DEN</b>
Line <b>1255</b>	Note:
20Mar20 / 14May20	
Inv. <b>82</b>	<b>1 - DINING ROOM: INSTALL LEVEL 3 HARDWOOD IN DINING ROOM</b>
Line <b>1256</b>	Note:
20Mar20 / 14May20	
Inv. <b>82</b>	<b>1 - GREAT ROOM: INSTALL LEVEL 3 HARDWOOD IN GREAT ROOM</b>
Line <b>1257</b>	Note:
20Mar20 / 14May20	
Inv. <b>82</b>	<b>1 - SECOND FLOOR: INSTALL LEVEL 3 HARDWOOD THROUGHOUT THE SECOND FLOOR</b>
Line <b>1258</b>	MASTER BEDROOM AND CLOSETS, BED 2, 3, 4 AND UPPER HALL Note:
20Mar20 / 14May20	
Inv. <b>94</b>	<b>1 - HARDWOOD FLOORS THROUGHOUT ALL BEDROOMS, DINING ROOM, GREAT ROOM, DEN</b>
Line <b>1210</b>	Note:
13Apr20 / 14Apr20	

### HVAC

**Indulgence - 4 - 1 - Alta Vista Elev. B**

 Register Plan Number: Municipal Address: **567 Highvalley Drive** Closing: **15-Jun-20**

Inv. <b>82</b>	20Mar20 / 14May20	<b>1 - KITCHEN: HOOD FAN--GAS PIPING AND OTHER - UPGRADE STOVE VENT FROM 6 INCH TO 10 INCH - DOES NOT INCLUDE MAKE - UP AIR IF REQUIRED - EACH</b>
Line <b>1191</b>		Note:
Inv. <b>82</b>	20Mar20 / 14May20	<b>1 - KITCHEN: INSTALL GAS PIPING AND OTHER - GAS LINE R/I FOR STOVE -UP TO 3/4 INCH LINE</b>
Line <b>1083</b>		Note:
Inv. <b>94</b>	20Mar20 / 14May20	<b>1 - A/C</b>
Line <b>1214</b>		Note:
	13Apr20 / 14Apr20	

**INTERIOR DOORS & TRIM**

Inv. <b>82</b>	20Mar20 / 14May20	<b>2 - DEN: INSTALL TWO (2) 1 PANEL SHAKER FRENCH DOORS- CLEAR GLASS- WITHOUT BOTTOM PANEL</b>
Line <b>1260</b>		Note:
Inv. <b>82</b>	20Mar20 / 14May20	<b>2 - MASTER BEDROOM CLOSET DOORS: INSTALL TWO (2) 1 PANEL SHAKER FRENCH DOORS- CLEAR GLASS-</b>
Line <b>1261</b>		Note:
Inv. <b>82</b>	20Mar20 / 14May20	<b>1 - MASTER ENSUITE: INSTALL FRAMELESS SHOWER IN MASTER ENSUITE</b>
Line <b>1262</b>		Note:
Inv. <b>94</b>	20Mar20 / 14May20	<b>1 - 8FT SOLID DOORS THROUGH INTERIOR 4" CASINGS 8" BASEBOARDS</b>
Line <b>1208</b>		Note:
	13Apr20 / 14Apr20	

**MISCELLANEOUS**

Inv. <b>94</b>	13Apr20 / 14Apr20	<b>1 - GLASS SHOWER ENCLOSURE IN MASTER BATHROOM ENSUITE</b>
Line <b>1216</b>		Note:
Inv. <b>94</b>	20Mar20 / 14May20	<b>1 - ALL BRICK/STONE EXTERIOR</b>
Line <b>1217</b>		Note:
Inv. <b>82</b>	20Mar20 / 14Apr20	<b>1 - BONUS PACKAGE: \$7500.00 WORTH OF UPGRADES FROM VALERY HOMES DÉCOR CENTRE IS BEING APPLIED TOWARD THE COLOUR APPOINTMENT</b>
Line <b>1311</b>		Note:
Inv. <b>82</b>	20Mar20 / 14May20	<b>1 - BONUS PACKAGE: WORTH OF UPGRADES FROM VALERY HOMES DÉCOR CENTRE IS BEING APPLIED TOWARD THE COLOUR APPOINTMENT</b>
Line <b>1312</b>		Note:
	20Mar20 / 14May20	

# CONSTRUCTION SUMMARY

## Indulgence - 4 - 1 - Alta Vista Elev. B

Registere Plan Number: Municipal Address: **567 Highvalley Drive** Closing: **15-Jun-20**

Inv. <b>122</b>		1 - Purchasers are aware & accepts that ANY changes made to upgrades after signing this Purchasers Extra Form are subject to a minimum administration fee
Line <b>1672</b>		Note:
16Jun20 / 22Jun20		
Inv. <b>82</b>		1 - Purchaser has attended a Colour appointment at the Decor Centre & has DECLINED any additional upgrades and accepts and acknowledges that there will be no further structural changes/additions/deletions to be made
97		Note:
Line <b>1356</b>		
20Mar20 / 14May20		
Inv. <b>82</b>		1 - Purchasers are aware & accepts that ANY changes made to upgrades after signing this Purchasers Extra Form are subject to a minimum administration fee
98		Note:
Line <b>1357</b>		
20Mar20 / 14May20		
<b>PAINT</b>		
Inv. <b>82</b>		<b>2 - STAIRCASES: ***STAIN HANDRAIL AND TREDS ONLY***</b>
84		
Line <b>1259</b>		TWO (2) SETS OF STAIRS TO MATCH THE HARDWOOD COLOUR. PURCHASER WILL FINISH PAINTING STAIRS AFTER CLOSING.
20Mar20 / 14May20		Note: UNFINISHED STAIRS CAN BE EASILY DAMAGED. WE WILL TAKE STEPS TO ENSURE THAT CARE IS TAKEN. THE PURCHASER AGREES THAT THE VENDOR IS TO BE EXEMPT FROM ANY AND ALL CLAIMS BY THE PURCHASER IN REGARDS TO ANY UNFIISHED PORTION OF STAIRS.
<b>PLUMBING</b>		
Inv. <b>82</b>		<b>1 - SERVERY: INSTALL BAR SINK IN SERVERY</b>
51		Note:
Line <b>1229</b>		
20Mar20 / 14May20		
Inv. <b>82</b>		<b>1 - MASTER ENSUITE: INSTALL MOEN HAND-HELD SHOWER IN MASTER ENSUITE</b>
35		MOEN POSI-TEMP TUB/SHOWER FAUCET WITH 3 FUNCTION VALVE/TRIM AND SLIDE BAR W/HANDHELD
Line <b>1188</b>		MODEL #: TL183EP/ 3372/ 128284/ T4171/ 62320/ 3669EP/ A725
20Mar20 / 14May20		Note:
Inv. <b>82</b>		<b>2 - MASTER ENSUITE / ENSUITE 4: INSTALL ROUGH-IN WATERLINES BESIDE TOILETS IN MASTER ENSUITE AND ENSUITE 4- TWO IN TOTAL</b>
36		Note:
Line <b>1189</b>		
20Mar20 / 14May20		
Inv. <b>82</b>		<b>1 - BACKFLOW PREVENTER VALVE</b>
37		Note:
Line <b>1190</b>		
20Mar20 / 14May20		
Inv. <b>82</b>		<b>1 - KITCHEN: INSTALL UPGRADED KITCHEN SINK:</b>
49		KOHLER PROLIFIC #K5540-NA
Line <b>1227</b>		Note:
20Mar20 / 14May20		
Inv. <b>82</b>		<b>1 - MASTER ENSUITE: INSTALL SHOWER HEAD ROUGH-IN FOR MOEN RAINSHOWER HEAD- TO COME FROM CEILING, NOT WALL</b>
24		Note:
Line <b>1080</b>		
20Mar20 / 14May20		





# CONSTRUCTION SUMMARY

## Indulgence - 4 - 1 - Alta Vista Elev. B

Registere Plan Number: Municipal Address: 567 Highvalley Drive Closing: 15-Jun-20

Inv. 82	1 - MASTER ENSUITE: INSTALL STANDARD SHOWER HEAD IN MASTER ENSUITE SHOWER
25	SHOWER HEAD WILL BE REPLACED AFTER CLOSING
Line 1081	Note:
20Mar20 / 14May20	
Inv. 82	1 - KITCHEN: INSTALL EXTRA ROUGH-IN LINE FOR FRIDGE ICE MAKER WITH SHUT-OFF
38	
Line 1313	Note:
20Mar20 / 14May20	

### STAIRS

Inv. 94	1 - IRON SPINDELS
5	
Line 1212	Note:
13Apr20 / 14Apr20	

### VACCUM/BELL

Inv. 82	1 - BED 4 - INSTALL ADDITIONAL CABLE ROUGH-IN IN BED #4. SEE SKETCH. LOCATIONS MAY VARY SLIGHTLY DUE TO JOIST LOCATIONS
12	
Line 1090	Note:
20Mar20 / 14May20	
Inv. 82	1 - GREAT ROOM: INSTALL CONDUIT - 1 1/4" ORANGE FLEX CONDUIT APPROX. 35FT FOR FIREPLACE FOR FUTURE TV
15	
Line 1072	Note:
20Mar20 / 14May20	
Inv. 82	1 - WIRELESS ACCESS POINT PACKAGE - 2-CAT6 NETWORK CABLES AND 2-UBIQUITI AC LITE ACCESS POINTS
17	
Line 1073	Note:
20Mar20 / 14May20	
Inv. 82	1 - CENTRAL VACUUM - CANAVAC C425 CANISTER - 30FT HOSE KIT - 1 HOUR INSTALL
18	
Line 1074	Note:
20Mar20 / 14May20	
Inv. 82	1 - KITCHEN: INSTALL CENTRAL VACUUM - CENTRAL VAC KICKPLATE UNDER KITCHEN SINK
19	
Line 1075	Note:
20Mar20 / 14May20	
Inv. 82	1 - GARAGE: INSTALL CENTRAL VACUUM - CENTRAL VAC PIPING COMPLETE TO GARAGE - ONE OUTLET IN BASEMENT
20	
Line 1076	Note:
20Mar20 / 14May20	
Inv. 82	1 - ATTIC: INSTALL CONDUIT - 1 1/4" ORANGE FLEX CONDUIT APPROX. 15FT FOR ATTIC
21	
Line 1077	Note:
20Mar20 / 14May20	
Inv. 82	1 - GREAT ROOM: INSTALL SURROUND SOUND - ROUGH-IN SPEAKER WIRES (X5) SUBWOOFER CABLE (X1) 6.5 INCH SPEAKER ROUGH-IN BRACKETS (X5). LOCATIONS TO BE DETERMINED BY SUPPLIER
22	
Line 1078	Note:
20Mar20 / 14May20	



# CONSTRUCTION SUMMARY

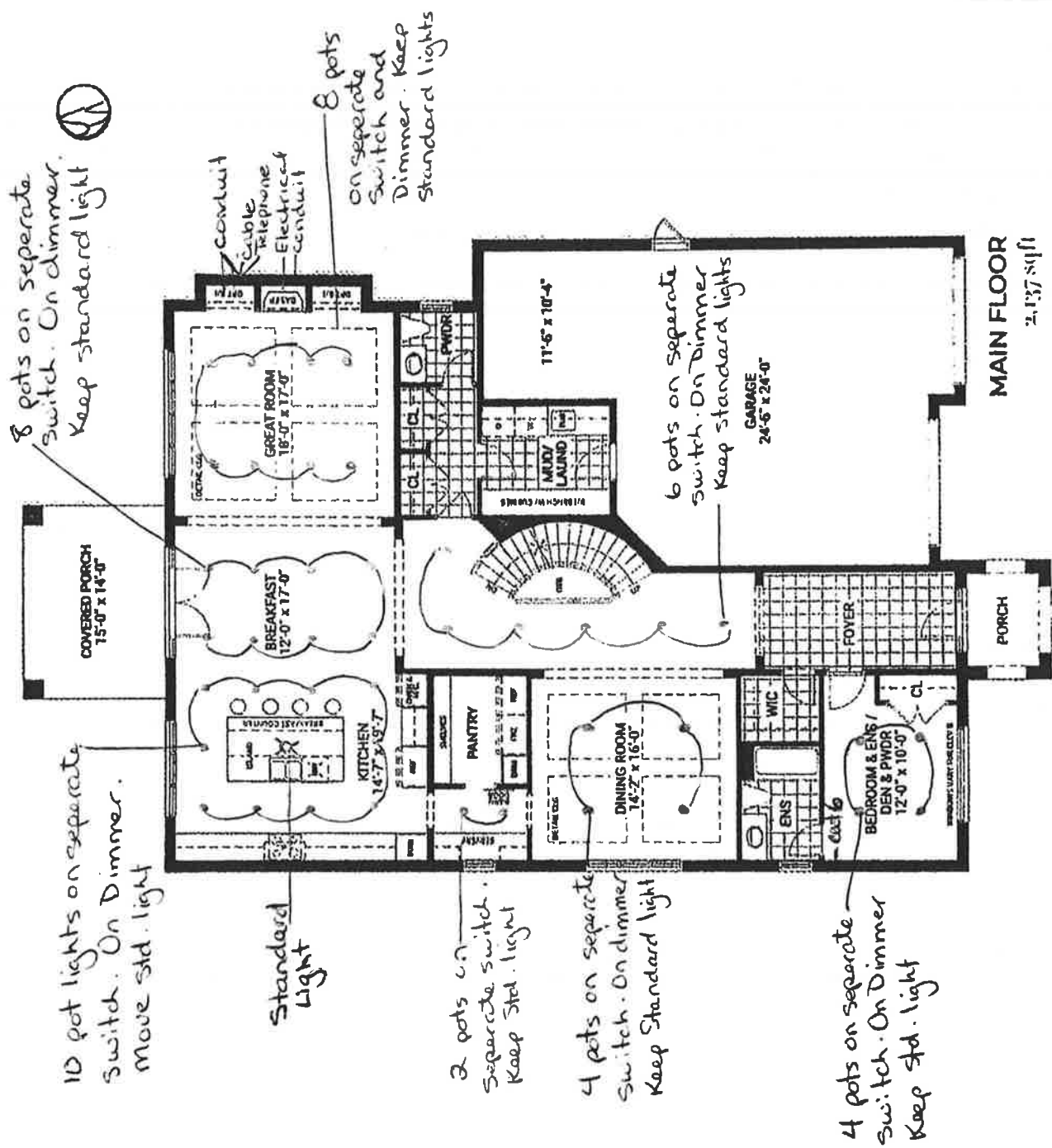
## Indulgence - 4 - 1 - Alta Vista Elev. B

Registere Plan Number: Municipal Address: 567 Highvalley Drive Closing: 15-Jun-20

Inv. 82	1 - MASTER BEDROOM: INSTALL CONDUIT - 1 1/4" ORANGE FLEX CONDUIT APPROX. 35FT
16	FOR FIREPLACE FOR FUTURE TV
Line 1304	Note:
20Mar20 / 14May20	

# Lot 4 - 5.S

## Potlight Location Sketch



- Kitchen - 10 pots
  - Breakfast Rm - 8 pots
  - Great Room - 8 pots
  - Dining Room - 4 pots
  - Servery - 2 pots
  - Main Hall - 6 pots
  - Den - 4 pots
- 42 potlights

Lot 4

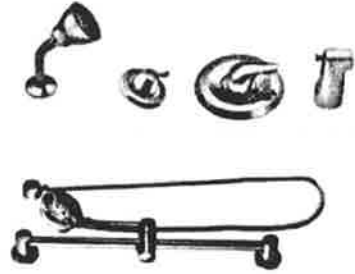
SS

# Chateau®

Traditional | Transitional | Modern

The Chateau collection delivers *Moen* performance and reliability with a simple understated appeal.

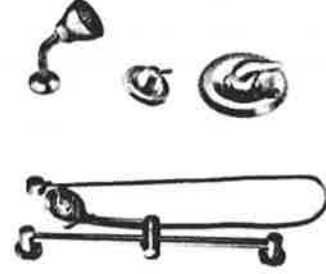
Master Ensuite



**Posi-Temp® Tub/Shower Faucet with 3 Function Transfer Valve/Trim and Slide Bar with Hand Shower \***

Model TL183EP / 3372 / 128284 / T4171 / 62320 / 3669EP / A725  
Not available in BC

Chrome - \$1,096.18



**Posi-Temp® Shower only with 3 Function Transfer Valve/Trim and Slide Bar with Hand Shower \***

Model TL182EP / 3372 / T4171 / 62320 / 3669EP / A725  
Not available in BC

Chrome - \$1,027.18

**FINISH OPTIONS:**

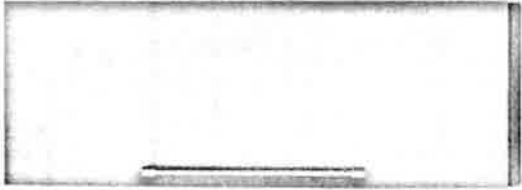
To order, combine the model number with one of these finish letter(s):  
Brushed Chrome (BC). To order Chrome (C) model, use model number only.  
\* Please see vertical spa guide for installation #700106



C BC

*Lot 4 Indulgence*

**T30IR900SP**  
**30-INCH BUILT-IN FRESH FOOD COLUMN**  
 FREEDOM® COLLECTION, PANEL-READY



**FEATURES & BENEFITS**

- Freedom® Hinge enables true flush design
- Auto Door Opening provides the opening of the door with just a slight push or pull
- Delicate Produce Bins for expanded storage
- ThermaFresh System, Humidity and Temperature controlled drawers
- SoftClose® Drawers and Produce Bins for easy and controlled storage
- Sleek clean design for the perfect symmetry when paired with additional columns
- TFT control panel managing all your columns functions

**TEMPERATURE RANGES**

Refrigerator	36°F (2°C) to 46°F (8°C)
Temperature Controlled Drawer	30°F (-1°C) to 38°F (3°C)
SuperCool	36°F (2°C) for approximately 6 hours
Energy Saving (Economy) Mode	43°F (6°C)

**GENERAL PROPERTIES**

Panel Ready	Yes
Reversible Door Swing	Yes
SoftClose® Door	Yes*
SoftClose® Drawers	Yes
Carbon Air Filter	Yes
Lighting	LED Sidewall and Theater Lighting
Refrigerator Shelves	4
Adjustable Shelves	3
Shelf Material	Glass w/Aluminum Profile
Full Extension Drawers @ 115° Door Opening Angle	Yes
Full Extension Drawers @ 90° Door Opening Angle	Yes
General Use Drawer	1
Humidity Managed Drawer	1
Temperature Controlled Drawer	2
Door Bins	1
Gallon Door Bins	1
Delicate Produce Bins	2 Large
Door Open Alarm	Yes
Open Door Assist	Yes
Special Modes	Sabbath, Economy, Vacation

**CAPACITY**

Total Capacity (cu. ft.)	16.8 cu. ft.
--------------------------	--------------

**PERFORMANCE**

Dedicated Evaporator & Compressor System	Yes
FreeFlow® Cold Air System	Yes
SuperCool	Yes

**TECHNICAL DETAILS**

Watts (W)	350 W
Current (A)	15 A
Volts (V)	110-120 V
Frequency (Hz)	60 Hz
Power Cord Length (in.)	118
Plug Type	120V-3 Prong

**DIMENSIONS & WEIGHT**

Appliance Dimensions (H x W x D) (in.)	83 3/8" x 29 3/4" x 24"
Required Cutout Size (H x W x D) (in.)	84" x 30" x 25"
Net / Gross Weight (lbs)	366 / 403 lbs

**EFFICIENCY**

ENERGY STAR® Qualified	Yes
Annual Energy Consumption	289 kWh

\*To verify if you have a refrigeration unit with SuperCool capability please consult our customer team by calling 1.800.35.4378  
 \*\*Height adjustable (+/- 1/2" / +/- 13 mm)

Lot 4

**T30IR900SP**  
**30-INCH BUILT-IN FRESH FOOD COLUMN**  
**FREEDOM® COLLECTION, PANEL-READY**

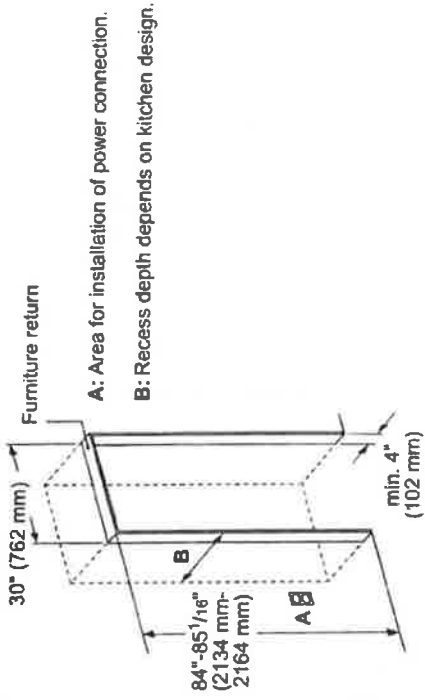


**WARRANTY**

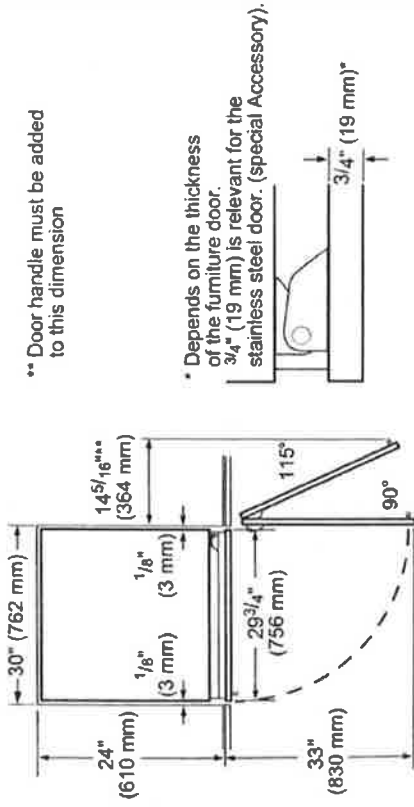
Limited, Entire Appliance, Parts and Labor on Any Part of the Refrigerator that Fails Because of a Manufacturing Defect	2 Year
Limited Warranty for Sealed Refrigeration System*, Parts and Labor	3rd to 6th Year
Limited Warranty for Sealed Refrigeration System*, Parts Only	7th to 12th Year
Limited Warranty for Stainless Steel Rust-Through	Lifetime

\*Sealed refrigeration system includes compressor, evaporator, condenser, dryer, strainer and connect or tubing.

**CUTOUT DIMENSIONS**



**TOP VIEW CLEARANCE**

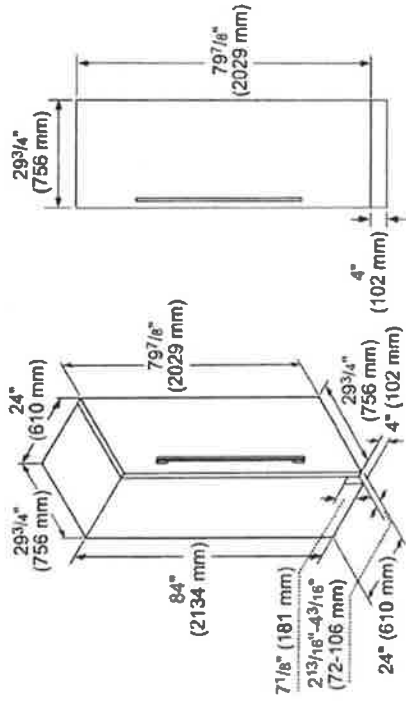


Kof 4

**T301R900SP**  
**30-INCH BUILT-IN FRESH FOOD COLUMN**  
 FREEDOM® COLLECTION, PANEL-READY



**PRODUCT AND PANEL DIMENSIONS**



**ACCESSORIES (OPTIONAL)**

**FLAT STAINLESS STEEL DOOR PANELS**

30-Inch Flat Stainless Steel Door Panel



TL301R800  
 For use with Handle  
 TL301R905  
 Handleless

**NOTE:** Handleless Panels should not be installed on units without the Soft-Close capability. If you are uncertain if you have a refrigeration unit with Soft-Close capability please contact our customer team by calling 1-800-735-4328.

**STORAGE**



SPRODBIN10  
 Small Produce Bin

LPRODBIN10  
 Large Produce Bin

30PRODRAIL  
 30-Inch Produce Railing

30HFGALBIN  
 30-Inch Half Gallon Bin

**HEATRKIT20 - 13W @ 120V**  
 Freedom® Heater Kit

When two appliances are installed side-by-side a sealing kit must be used. For combinations that involve a freezer column, this kit is included. For all other (non-traditional, i.e. two wine columns, two bottom freezers, etc.) side-by-side combinations or instances where any appliances are installed less than 6-inches (152 mm) apart from one another but not connected side-by-side, purchase this kit. This kit is recommended for use with any installation in areas that are subject to humidity, or located next to an outside wall.

**HANDLES**

Choose between two options:



PR36HNDL20  
 36-Inch Professional Series Handle

MS36HNDL20  
 36-Inch Masterpiece® Series Handle

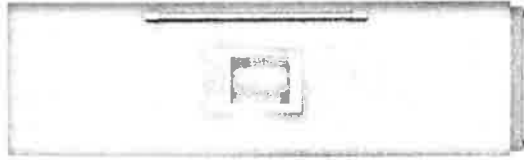
These warranties give you specific legal rights and you may have other rights that vary from state to state. Full warranty and limited warranty from date of installation. For complete warranty details, refer to your 11228. Care manual or see your dealer.

Specifications are for informational purposes only. Refer to installation instructions and consult your counter-top vendor prior to making counter opening. Consult with a heating and ventilation professional for specific ventilation requirements. For the most detailed information, refer to installation and operation manuals for applicable models or write to Thermador including the model number. Some restrictions may apply. Thermador is not responsible for products that are transported from the U.S. for sale in Canada.

1-800-735-4329 | USA THERMADOR.COM | CANADA THERMADOR.CA | ©2020 BSH HOME APPLIANCES CORPORATION. ALL RIGHTS RESERVED.

Lot 4

**T24ID900LP**  
**24-INCH BUILT-IN FREEZER COLUMN WITH**  
**ICE & WATER DISPENSER**  
 FREEDOM® COLLECTION, PANEL-READY, LEFT-HAND DOOR SWING



Also Available In:  
 T24ID900RP – Right-Hand Door Swing

**FEATURES & BENEFITS**

- Freedom® Hinge enables true flush design
- Auto Door Opening provides the opening of the door with just a slight push or pull
- Energy Efficient Diamond Ice made with twist tray technology
- Smooth Filtered Lighting for clear and easy viewing of all product
- SoftClose® Drawers for easy and controlled storage
- Sleek clean design for the perfect symmetry when paired with additional columns
- TFT control panel managing all your column functions

**TEMPERATURE RANGES**

Freezer	-11°F (-24°C) to 7°F (-14°C)
SuperFreeze®	-22°F (-30°C) for approximately 52 hours
Energy Saving (Economy) Mode	3°F (-16°C)

**GENERAL PROPERTIES**

Panel Ready	Yes
Reversible Door Swing	No
SoftClose® Door	Yes*
SoftClose® Drawers	Yes
Lighting	LED Sidewall and Theater Lighting
Freezer Shelves	4
Adjustable Shelves	2
Shelf Material	Glass w/Aluminum Profile
Full Extension Drawers @ 115° Door Opening Angle	Yes
General Use Drawer	2
Door Bins	0
External LED Proximity Sensor	Yes
Oversized Dispenser Opening	Yes
Chilled Water, Crushed and Cubed Ice	Yes
Rapid Water Replenishment System	Yes
Ice Maker with Diamond Ice System	Yes
Door Open Alarm	Yes
Open Door Assist	Yes
Special Modes	Sabbath, Economy, Vacation

**CAPACITY**

Total Capacity (cu. ft.)	11.2 cu. ft.
--------------------------	--------------

**PERFORMANCE**

Dedicated Evaporator & Compressor System	Yes
SuperFreeze®	Yes
Defrost Process	Frost-Free

**TECHNICAL DETAILS**

Watts (W)	350 W
Current (A)	15 A
Volts (V)	110-120 V
Frequency (Hz)	60 Hz
Power Cord Length (in.)	118
Plug Type	120V-3 Prong

**DIMENSIONS & WEIGHT**

Appliance Dimensions (H x W x D) (in.)	84*** x 23 3/4" x 24"
Required Cutout Size (H x W x D) (in.)	84" x 24" x 25"
Net / Gross Weight (lbs)	342 / 364 lbs

**EFFICIENCY**

ENERGY STAR® Qualified	Yes
Annual Energy Consumption	457 kWh

\*To verify if you have a refrigerator unit with Soft-Close capability please contact our customer team by calling 1-800-735-3128.  
 \*\*Weight adjustable (+/- 10 x 18 mm)



Lot 4

**T24ID900LP**  
**24-INCH BUILT-IN FREEZER COLUMN WITH**  
**ICE & WATER DISPENSER**  
 FREEDOM® COLLECTION, PANEL-READY, LEFT-HAND DOOR SWING

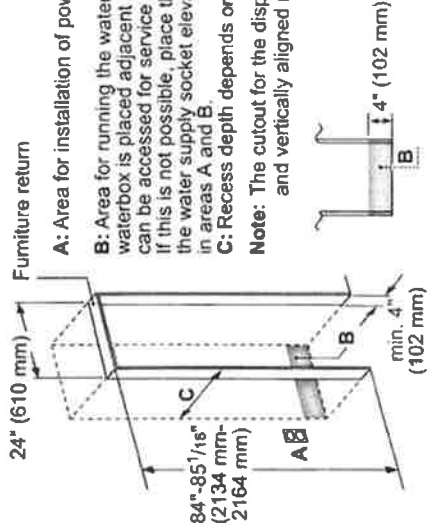


**WARRANTY**

Limited, Entire Appliance, Parts and Labor on Any Part of the Refrigerator that Fails Because of a Manufacturing Defect	2 Year
Limited Warranty for Sealed Refrigeration System*, Parts and Labor	3rd to 6th Year
Limited Warranty for Sealed Refrigeration System*, Parts Only	7th to 12th Year
Limited Warranty for Stainless Steel Rust-Through	Lifetime

\*Sealed refrigerant system includes compressor, evaporator, condenser, dryer, filter/drier and connector tubing

**CUTOUT DIMENSIONS**



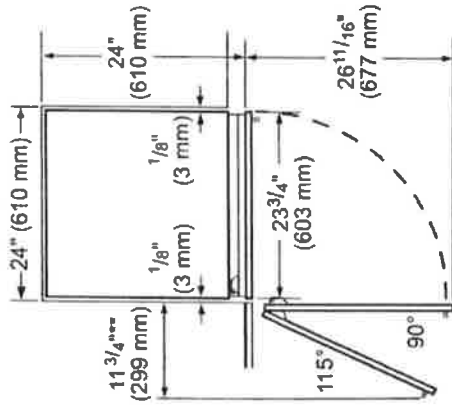
**A:** Area for installation of power connection.

**B:** Area for running the water line. It is recommended that the waterbox is placed adjacent to the installation cavity, so that it can be accessed for service without uninstalling the appliance. If this is not possible, place the recessed waterbox adjacent to the water supply socket elevated at the heights as referenced in areas A and B.

**C:** Recess depth depends on kitchen design.

**Note:** The cutout for the dispenser unit must be horizontal and vertically aligned (centred).

**TOP VIEW CLEARANCE**



\*\* Door handle must be added to this dimension

\* Depends on the thickness of the furniture door. 3/4" (19 mm) is relevant for the stainless steel door. (special Accessory).

2074

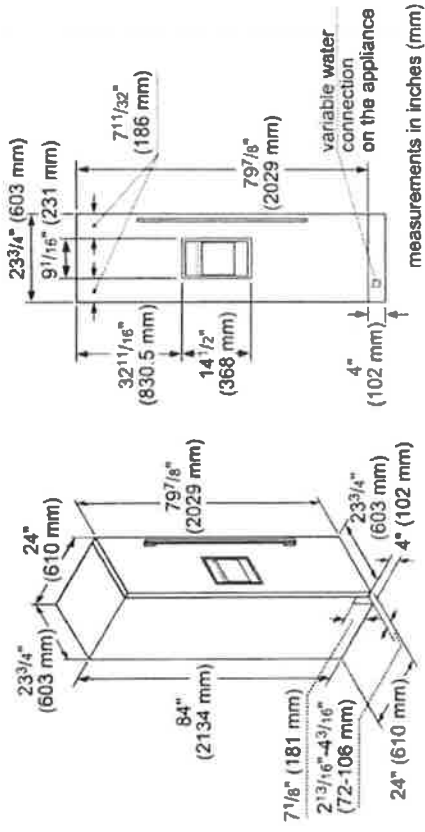
# T24ID900LP

## 24-INCH BUILT-IN FREEZER COLUMN WITH ICE & WATER DISPENSER

FREEDOM® COLLECTION, PANEL-READY, LEFT-HAND DOOR SWING



### PRODUCT AND PANEL DIMENSIONS



### ACCESSORIES (OPTIONAL)

#### FLAT STAINLESS STEEL DOOR PANELS

24-Inch Flat Stainless Steel Door Panel With Dispenser



TFL24ID800  
For use with Handle  
TFL24ID905\*  
Handleless

\*Available Summer 2019

**NOTE: Handleless Panels should not be installed on units without the Soft-Close capability. If you are uncertain if you have a refrigeration unit with Soft-Close capability please contact our customer team by calling 1-800-735-4328.**

#### HANDLES

Choose between two options:

PR36HNDL20

36-Inch Professional Series Handle

or

MS36HNDL20

36-Inch Masterpiece® Series Handle

#### FILTERS

REPLFTR10

Freedom® Water Filter  
Replacement water filter for use in all freezer and bottom freezer models

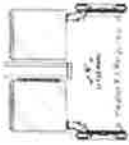
SCRNFTR10

By-Pass Filter for use with existing in-home water filtration systems in all freezers and bottom freezer models

#### STORAGE



ICEBUCKETL  
Large Ice Bucket



HEATKIT20 - 13W ● 120V

Freedom® Heater Kit

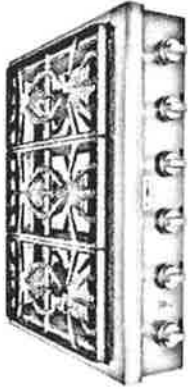
When two appliances are installed side-by-side a sealing kit must be used. For combinations that involve a freezer column, this kit is included. For all other (non-traditional, i.e. two wine columns, two bottom freezers, etc.) side-by-side combinations or instances where any appliances are installed less than 6-inches (152 mm) apart from one another but not connected side-by-side, purchase this kit. This kit is recommended for use with any installation in areas that are subject to humidity, or located next to an outside wall.

\*These warranties give you specific legal rights and limitations. For warranty or claim information, visit our website at [www.thermador.com/warranty](http://www.thermador.com/warranty). For warranty details, visit [www.thermador.com/warranty](http://www.thermador.com/warranty).

Specifications are for standard configurations only. Before installation, please refer to the installation manual for the applicable model. Consult with the retailer or distributor for more information. For the most current information, please visit our website at [www.thermador.com](http://www.thermador.com). Thermador reserves the right to change product specifications without notice. Some models are certified by NSF in Canada. Thermador is not responsible for products that are transported from the U.S. for use in Canada.

Lot 4

**PCG366W**  
**36-INCH GAS RANGETOP**  
 PROFESSIONAL SERIES, PORCELAIN COOKTOP SURFACE



**FEATURES & BENEFITS**

- ★ Patented Pedestal Stone® Burner with QuickClean Base® designed for easy surface cleaning and superior heat spread for any size pan
- ★ Precision simmering capabilities as low as 100°F (37.5 BTU) with 2 ExtraLow® Simmer burners
- ★ LED Downtighting — hidden discreetly above the control panel provides functional and stylish illumination

GENERAL PROPERTIES	
Controls	Metal Knobs
Sealed Burners	Yes
Grate Material	Cast Iron
BURNER PERFORMANCE	
Total Number of Cooktop Burners	6
Power of Front Left Burner (NG)	18,000 and XLO (NG)
Power of Back Left Burner (NG)	15,000 (NG)
Power of Front Center Burner (NG)	18,000 (NG)
Power of Center 12" Electric Griddle (W)	N/A
Power of Center 12" Electric Grill (W)	N/A
Power of Back Right Burner (NG)	15,000 (NG)
Power of Front Right Burner (NG)	18,000 (NG)
TECHNICAL DETAILS	
Circuit Breaker (A)	15 A
Volts (V)	120 V
Frequency (Hz)	60 Hz
Plug Type / Receptacle	120V-3 Prong NEMA 5-15
Power Cord Length (in)	65"
Energy Source	Gas
Gas Type	Natural Gas 6" Water Column (14.9 mb) Min. (USA)
Alternative Gas Type	LP 11" Water Column (27.4 mb) Min. (USA)
Convertible To LP (Kit Required)	Yes
DIMENSIONS & WEIGHT	
Overall Appliance Dimensions (HxWxD) (in)	8 1/8" x 35 15/16" x 25 13/16"
Required Cutout Size (HxWxD) (in)	7 11/16" x 35 1/8" x 22 13/16"
Minimum Distance From Rear Wall (in)	6" Min. to Combustible Surface
Net Weight (lbs)	142 lbs
WARRANTY	
Limited Warranty, Entire Appliance, Parts and Labor	2 Year

★ THERMADOR® EXCLUSIVE

Lot 4

**PCG366W**  
**36-INCH GAS RANGETOP**  
PROFESSIONAL SERIES, PORCELAIN COOKTOP SURFACE



**ACCESSORIES (OPTIONAL)**



**PAGRIDDLE**  
Griddle Fits on Top of  
Grates Over 2 Star Burners



**PA12CHPBLK**  
12" Cutting Board



**PWOKRINGHC**  
Wok Ring



**PA36WIBC**  
10" Low Backguard



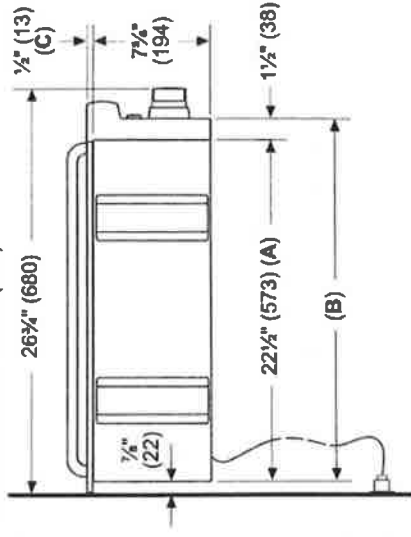
**PAKNOBLUWR**  
Metallic Blue Knob Kit



**PALPKTHW**  
LP Conversion Kit, Pro  
Rangetops (4 & 6 Burners)

**36" RANGETOP SIDE VIEW**

measurements in inches (mm)



**A:** Cabinet face for installation  
with projecting control panel.  
**B:** Cabinet face for installation  
with flush control panel.  
**C:** Side flange

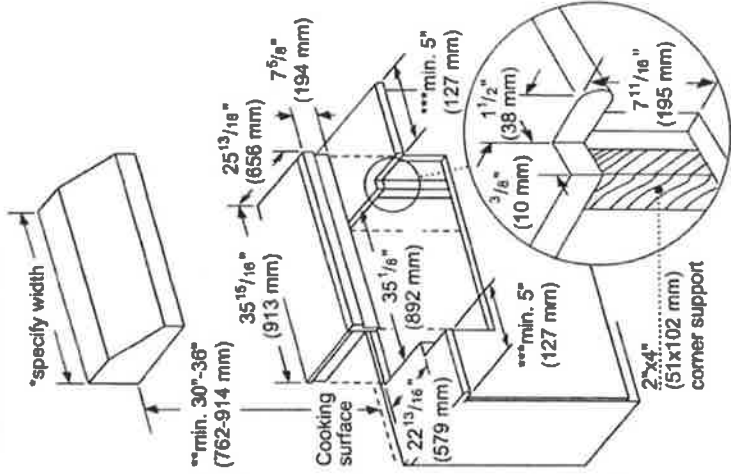
Lot 4

**PCG366W**  
**36-INCH GAS RANGETOP**  
PROFESSIONAL SERIES, PORCELAIN COOKTOP SURFACE



**36-INCH RANGETOP CUTOUT DIMENSIONS**

- Minimum recommended hood width equals that of the range or cooktop.



- \*\* 36" minimum clearance from cooking surface to combustible surfaces.
  - \*\*\* 5" minimum clearance from cooking surface to combustible side wall.
- Note: Most hoods contain combustible components that must be considered when planning the installation.

measurements in inches (mm)

Lot 4

**PCG366W**  
**36-INCH GAS RANGETOP**  
PROFESSIONAL SERIES, PORCELAIN COOKTOP SURFACE

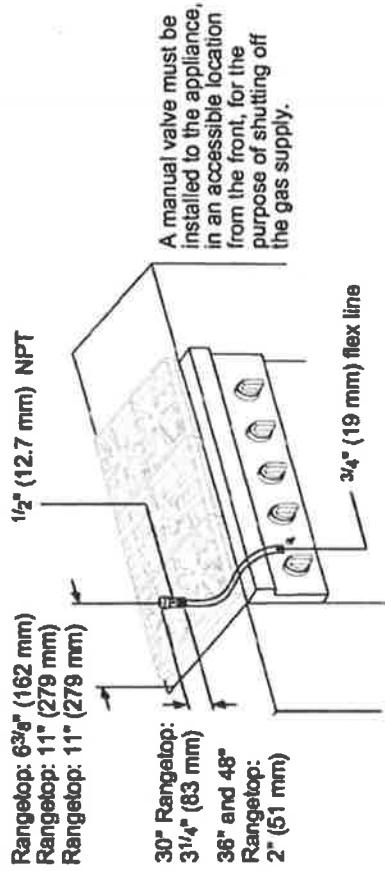


**36-INCH RANGETOP GAS LOCATION**

The gas and electrical supply must be located in an area that is accessible without requiring removal of the rangetop. The appliance electrical power cord and gas pipe connection are located on the left rear underside of the rangetop.

The junction box must be located within 3 feet (~900 mm) of the rangetop connection.

- 30" Rangetop: 6<sup>3/8</sup>" (162 mm)
- 36" Rangetop: 11" (279 mm)
- 48" Rangetop: 11" (279 mm)



**measurements in inches (mm)**

**NATURAL GAS REQUIREMENTS:**

- Inlet Connection: 1/2" NPT (min. 3/4" dia. flex line)
- Supply Pressure: 6" min. to 14" max. water column (14.9 mb to 34.9 mb)
- Manifold Pressure: 5" water column (12.5 mb)

**PROPANE GAS REQUIREMENTS:**

- Inlet Connection: 1/2" NPT (min. 3/4" dia. flex line)
- Supply Pressure: 11" min. to 14" max. water column (27.4 mb to 34.9 mb)
- Manifold Pressure: 10" water column (24.9 mb)

**ELECTRICAL SUPPLY**

**IMPORTANT:** The cord supplied with all-burner gas rangetops requires a NEMA 5-15 receptacle as shown here. Local codes may require a different wiring method.



**WARNING:** This appliance is equipped with a three-prong grounding plug for protection against shock hazard and should be plugged directly into a properly grounded receptacle. **DO NOT** cut or remove the grounding prong from this plug. **DO NOT ALTER THIS PLUG.**

Lot 4

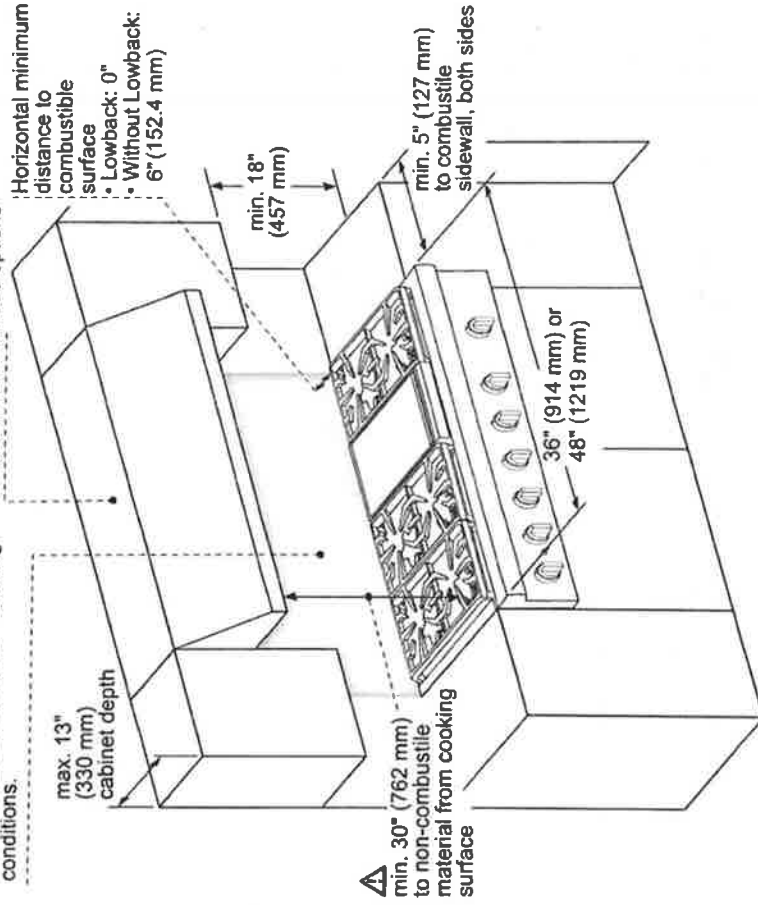
## PCG366W 36-INCH GAS RANGETOP PROFESSIONAL SERIES, PORCELAIN COOKTOP SURFACE

**Thermador** ★

### 36-INCH RANGETOP CLEARANCES

The shaded area behind the rangetop indicates an opportunity to discolor the back wall under certain cooking conditions.

See the Ventilation Planning Guide for recommended hood options



▲ As defined in the "National Fuel Gas Code" (ANSI Z223.1, Current Edition). Clearances from non-combustible materials are not part of the ANSI Z21.1 scope and are not certified by CSA. Clearances must be approved by the local codes and/or by the local authority having jurisdiction.

measurements in inches (mm)

**NOTE:** A 36-inch minimum clearance is required between the top of the cooking surface and the bottom of an unprotected cabinet. A 30-inch clearance can be used when the bottom of the wood or metal cabinet is protected by not less than 1/4 inch of a flame retardant material covered with not less than No. 28 MSG sheet steel, 0.015 inch (0.4 mm) thick stainless steel, 0.024 inch (0.6 mm) aluminum, or 0.020 inch (0.5 mm) thick copper.

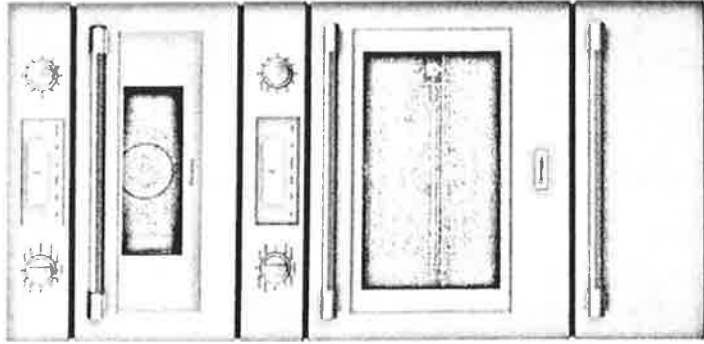
These warranties give you specific legal rights and you may have other rights that vary from state to state. Full warranty and limited warranty from date of installation. For complete warranty details, refer to your Use & Care manual or ask your dealer.

Specifications are for planning purposes only. Refer to installation instructions and consult your countertop supplier prior to making counter opening. Consult with a heating and ventilation engineer for your specific ventilation requirements. For the most detailed information, refer to installation instructions accompanying product or write to Thermador indicating the model number. Specifications are correct at time of printing. Thermador reserves the right to change product specifications or design without notice. Some models are certified for use in Canada. Thermador is not responsible for products that are transported from the U.S. for use in Canada.

1-800-735-4328 | USA.THERMADOR.COM | CANADA.THERMADOR.CA | ©2018 BSH HOME APPLIANCES CORPORATION. ALL RIGHTS RESERVED.

Lot 4

**PODMCW31W**  
**30-INCH TRIPLE COMBINATION BUILT-IN OVEN WITH**  
**SPEED OVEN**  
 PROFESSIONAL SERIES



**FEATURES & BENEFITS**

- ★ First triple combination oven with speed oven in the market
- Designed for flexibility – standard or flush installation into kitchen cabinets
- Specially crafted gray glass on stainless steel for a luxurious look and finish
- Speed oven with microwave capability can broil and convection bake
- Large commercial style rotisserie with 12 pound capacity

**ACCESSORIES (INCLUDED)**

Upper Cavity: Metal Turntable/Rack, Ceramic Tray, Lower Cavity: 3 Telescopic Racks, Multi-point Meat Probe, Max Broil Pan, Rotisserie

**WARRANTY**

Limited Warranty Parts and Labor 2 Year

**GENERAL PROPERTIES**

Heating Modes – Upper Cavity  
 36 CookSmart™ Auto Programs (including True Convection, Speed Convection, Broil, Convection Broil, Keep Warm) and Heating Programs and Microwave Programs

Heating Modes – Lower Cavity

(16) Bake, Broil, Max Broil, Roast, Convection Bake, Convection Broil, Max Convection Broil, Convection Roast, Proof, Warm, Pizza, True Convection, Dehydrate, Speed Convection, Slow Roast, Rotisserie

Sabbath	Yes
Warming Drawer	Yes
Cleaning Type – Lower Cavity	Easy Clean and Self Clean
Telescopic Rack(s)	3
Illumination Type	Upper Cavity LED Lower Cavity Halogen
Interior Lights	Upper Cavity 1 Lower Cavity 2
Home Connect (Wi-Fi Enabled)	Yes, Lower Oven Only

**OVEN PERFORMANCE**

Microwave Power	1,000 W
Bake / Broil Element	Upper Cavity 600 W / 1,750 W Lower Cavity 2,400 / 1,000/3,800 W
Convection Element	Upper Cavity 1,700 W Lower Cavity 2,000 W
Warming Drawer	450 W

**TECHNICAL DETAILS**

Watts	10,200 W
Circuit Breaker	50 A
Volts; Frequency	240 / 208 V; 60 Hz
Plug Type	Fixed Connection, No Plug
Conduit	60" 4-Wire
Energy Source	Electric

**DIMENSIONS & WEIGHT**

Overall Appliance Dimensions (HxWxD)	61 3/16" x 29 3/4" x 24 1/2"
Trim Overlaps (Top – Sides – Bottom)	3/8 to 2" – 9/16" – 0"
Required Cutout Size (HxWxD) – Standard	60 3/4" x 28 1/2" x 23 1/2"
Required Cutout Size (HxWxD) – Flush	61 5/16" x 30" x 24 1/2"
Speed Oven Capacity	1.6 cu. ft.
Oven Capacity	4.5 cu. ft.
Warming Drawer Capacity	2.5 cu. ft.
Overall Lower Oven Interior Dimensions (HxWxD)	17 3/4" x 24" x 17 7/8"
Usable Lower Oven Interior Dimensions (HxWxD)	13 1/2" x 21 5/8" x 16 1/4"
Net Weight	346 lbs

★ THERMADOR® EXCLUSIVE

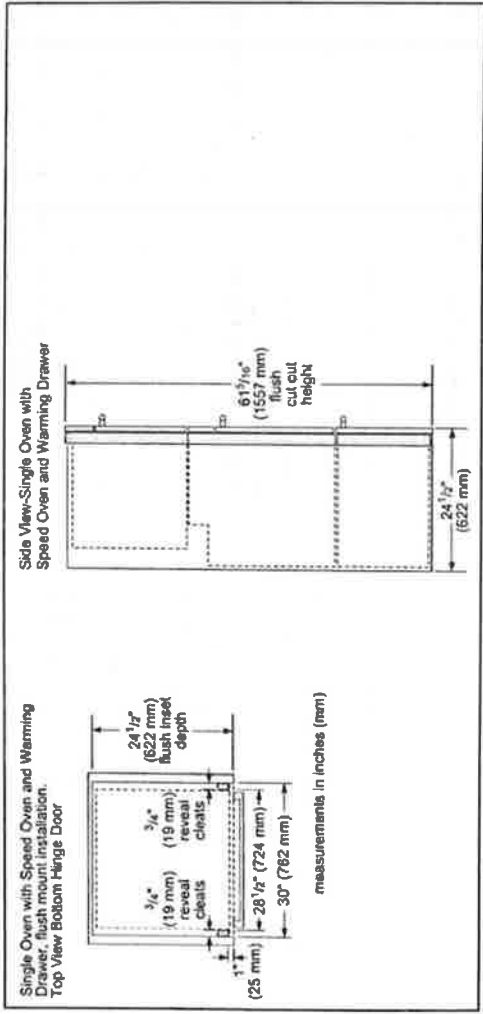
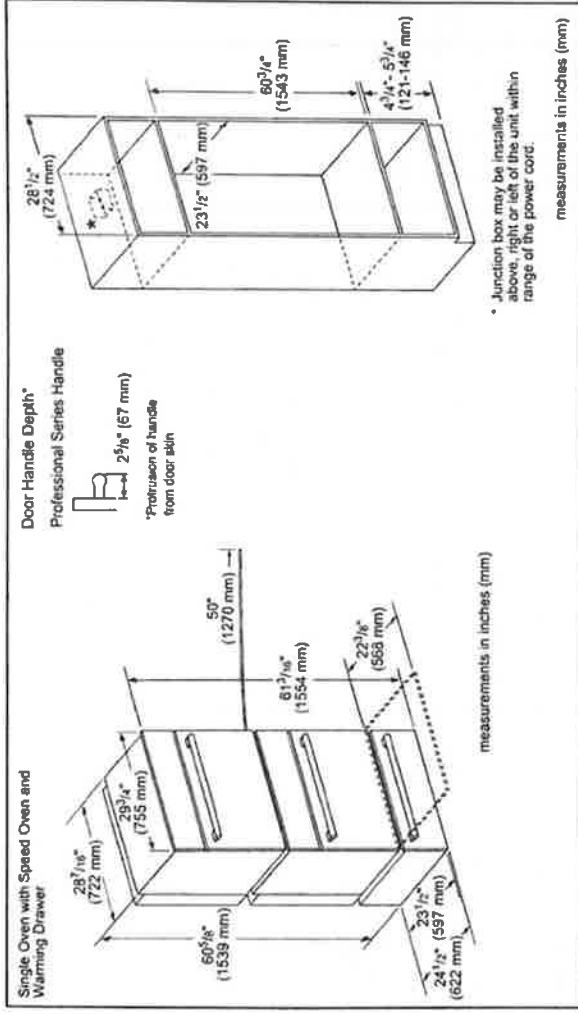


lot 4

**PODMCW31W**  
**30-INCH TRIPLE COMBINATION BUILT-IN OVEN WITH**  
**SPEED OVEN**  
**PROFESSIONAL SERIES**



**30-INCH TRIPLE COMBINATION OVEN WITH SPEED OVEN AND WARMING DRAWER**



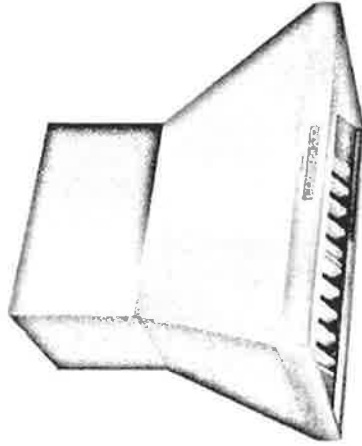
These warranties show you specific legal rights and you may have other rights that vary from state to state. Full warranty and limited warranty from date of installation. For complete warranty details, refer to your Use & Care manual or ask your dealer.

Specifications are for planning purposes only. Refer to installation instructions and consult your countertop supplier prior to making cabinet opening. Consult with a heating and ventilation engineer for your specific ventilation requirements. For the most detailed information, refer to installation instructions accompanying product or write to Thermador indicating the model number. Specifications are current at time of printing. Thermador reserves the right to change product specifications or design without notice. Some models are certified for use in Canada. Thermador is not responsible for products that are transported from the U.S. for use in Canada.

1-800-735-4326 | U.S.A. THERMADOR.COM | CANADA THERMADOR.CA | ©2018 BSH HOME APPLIANCES CORPORATION. ALL RIGHTS RESERVED

Lot 4

## HPCN36WS 36-INCH CHIMNEY WALL HOOD PROFESSIONAL® SERIES



### FEATURES & BENEFITS

- Professional® Series chimney wall hoods create a crafted, sculpted focal point
- Designed to complete the ultimate cooking system with Thermador ranges
- Powerfully Quiet® system accepts integral, inline, and remote blowers
- Dishwasher-safe stainless steel, commercial-style baffle filters
- Beautiful illumination with multi-level, vivid LED lights

### ACCESSORIES (OPTIONAL)

25 ft. Blower Connector Cable - EXTNCB25W  
For use with the following inline and remote blowers: VTR630W, VTR1030W, VTR1330W, VT1610W, VT11010W

### Roofplates

RFPJT600P - For use with 600 CFM remote blower VTR630W  
RFPJT1000P - For use with 1000 CFM remote blower VTR1030W and 1300 CFM blower VTR1330W

6" Tall Duct Cover, 36" Wide	CHMHP366W
18" - 35" Tall Duct Cover, 36" Wide	CHMHP36TW
42" - 59" Tall Duct Cover, 36" Wide	CHMHP36XTW

### Remote Control Panel

REMCPW - Ability to vertically install on cabinetry or wall to control hood in a convenient location



### GENERAL PROPERTIES

#### Features

Multi-Level LED Lights with Fading Transitions, Automatic Mode, Check Filter Reminder Light, Delay Shut-Off

Operating Mode	Ducted
Maximum CFM	Blower Sold Separately
Number of Speed Settings	4-Stage
Motor Location	Integral / Inline/ Remote
Number of Lights	2
Bulb Type	LED
Total Power of the Lamps (W)	2.4 W
Damper Included	Yes
Grease Filter Material	Washable Stainless Steel
Grease Filter Type	Stainless-Steel Commercial Style Baffle Filter

#### Home Connect™ (Wi-Fi Enabled)

No

### TECHNICAL DETAILS

Watts (W)	See Chart on Page 3
Current (A)	See Chart on Page 3
Volts (V)	120 V
Frequency (Hz)	60 Hz
Plug Type	Fixed Connection, No Plug

### DIMENSIONS & WEIGHT

Overall Appliance Dimensions (Width of Canopy Included) (HxWxD) (in)	18" x 35 15/16" x 24"
Height of the Chimney (in)	Duct Covers Sold Separately
Minimum Required Distance Above Gas / Electric Cooling Surface	30" / 30"
Diameter of Air Duct (in) Top	10"
Net Weight (lbs)	70 lbs

### BLOWER OPTIONS

Remote Blower (Mounted to Roof or External Wall)

VTR630W - 600 CFM
VTR1030W - 1000 CFM
VTR1330W - 1300 CFM
VT1610W - 600 CFM
VT11010W - 1000 CFM
VTN630W - 600 CFM
VTN1090R - 1000 CFM

### WARRANTY

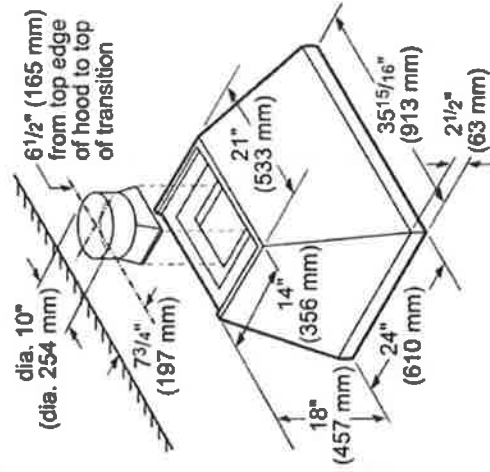
Limited Warranty Parts and Labor  
2 Year

Lot 4

## HPCN36WS 36-INCH CHIMNEY WALL HOOD PROFESSIONAL® SERIES

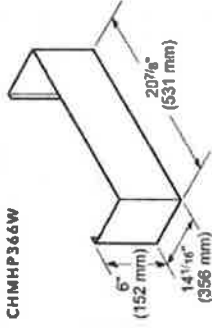


### HOOD DIMENSIONS



### OPTIONAL ACCESSORIES

#### 6" TALL DUCT COVER CHMHP366W



Standard duct cover for up to 8-foot ceiling heights



#### 18" - 35" TALL TELESCOPING DUCT COVER CHMHP36TW

Telescoping design for extension up to 9-foot to 10-foot ceiling heights



#### 42" - 59" TALL TELESCOPING DUCT COVER CHMHP36XTW

Telescoping design for extension up to 11-foot to 12-foot ceiling heights

#### REMOTE CONTROL PANEL REMCPW



Convenience at your fingertips. The remote control accessory offers the freedom to extend your hood controls to a more reachable spot

Lot 4

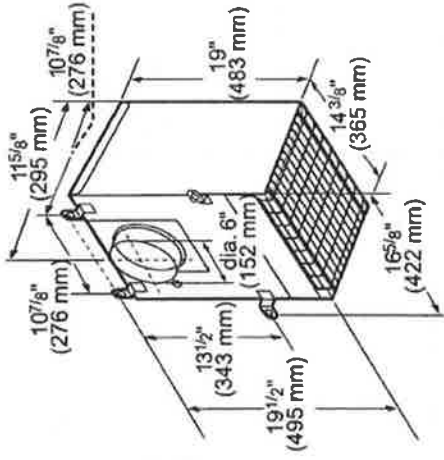
**HPCN36WS**  
**36-INCH CHIMNEY WALL HOOD**  
 PROFESSIONAL® SERIES



MODEL	DESCRIPTION	ELECTRIC LOAD							
		VTR630W	VTR1090R	VTR610W	VTR1010W	VTR630W	VTR1030W	VTR1330W	
HPCN36WS	36" Chimney Wall Hood	Amps	4.0	7.4	5.9	7.8	5.9	7.8	11.3
		Watts	480	888	708	936	708	936	1,356

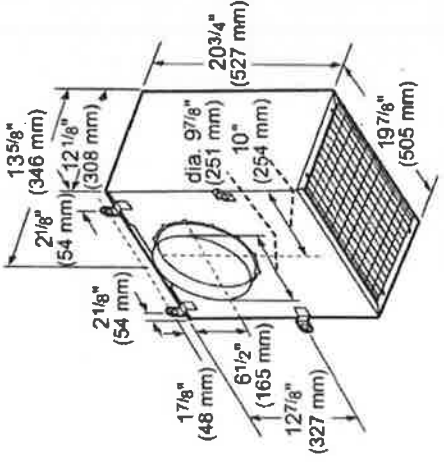
**REMOTE BLOWERS (MOUNTED TO ROOF OR EXTERNAL WALL)**

VTR630W-600 CFM



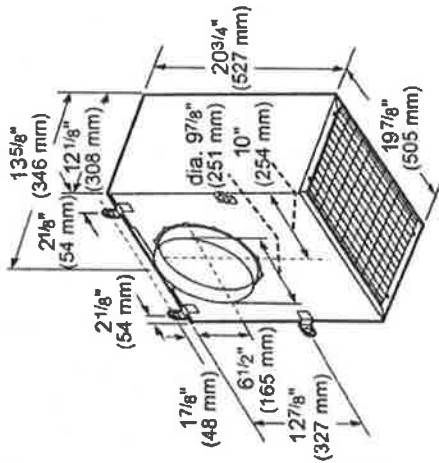
measurements in inches and mm

VTR1030W-1000 CFM



measurements in inches and mm

VTR1330W-1300 CFM



measurements in inches and mm

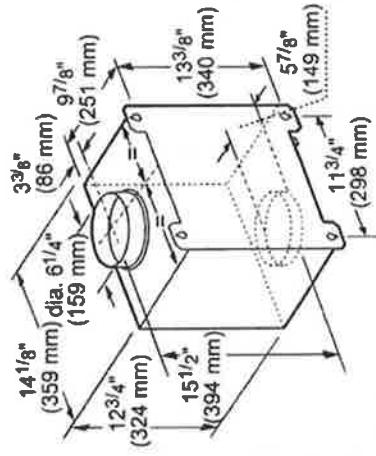
Lot 4

### HPCN36WS 36-INCH CHIMNEY WALL HOOD PROFESSIONAL® SERIES



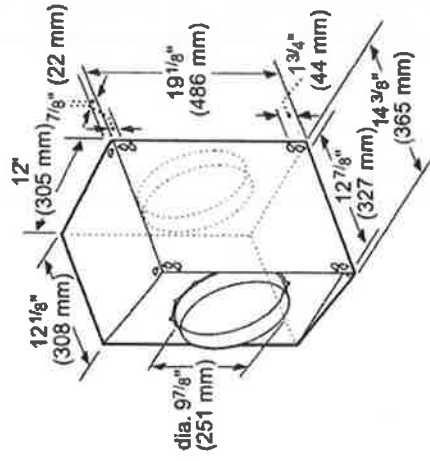
INLINE BLOWERS (MOUNTED BETWEEN KITCHEN AND EXTERNAL WALL)

VTI610W-600 CFM



measurements in inches and mm

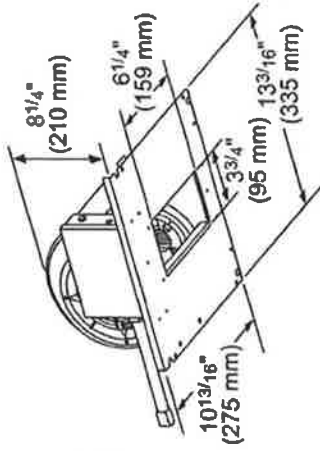
VTI1010W-1000 CFM



measurements in inches and mm

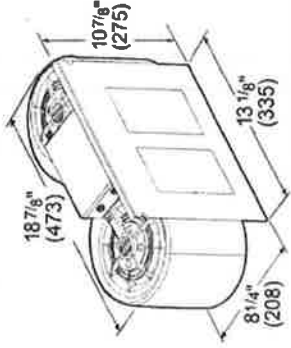
INTEGRATED BLOWERS (MOUNTED IN HOOD)

VTN630W-600 CFM



measurements in inches (mm)

VTN1090R-1000 CFM



measurements in inches and mm

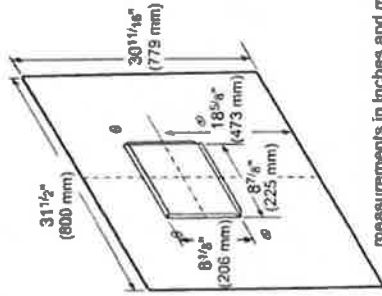
Lot 4

## HPCN36WS 36-INCH CHIMNEY WALL HOOD PROFESSIONAL® SERIES



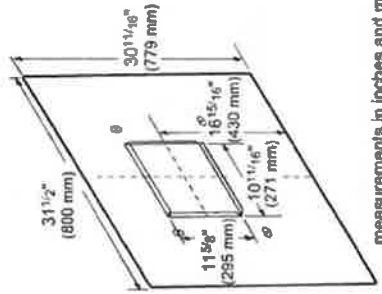
### REMOTE BLOWER ACCESSORIES

#### ROOFPLATE-RFPLT600P



measurements in inches and mm

#### ROOFPLATE-RFPLT1000P



measurements in inches and mm

### EXTNCB25W

For use with the following inline and Remote Blowers: VTR630W, VTR1030W, VTR1330W, VTI610W, VTI1010W

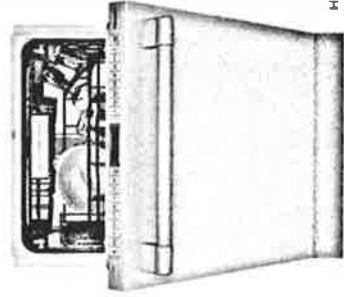
These accessories give you specific capabilities and you may have other rights that vary from state to state. Full warranty and limited warranty from date of installation. For complete warranty details, refer to your User & Care manual, or see your dealer.

Specifications are for planning purposes only. Refer to installation instructions and consult your contractor, supplier prior to making final decisions. Consult with a heating and ventilation engineer for your specific ventilation requirements. For the most detailed information, refer to installation manuals from accompanying products to which Thermador makes the model number. Specifications are subject to change without notice. Thermador reserves the right to change product specifications or design without notice. Specifications are subject to change without notice. Thermador is not responsible for products that are transported from the U.S. for use in Canada.

1-800-35-4328 | USA.THERMADOR.COM | CANADA.THERMADOR.COM | ©2019 BSH HOME APPLIANCES CORPORATION. ALL RIGHTS RESERVED.

Lot 4

**DWHD870WFP**  
**STAR SAPPHIRE® 8-PROGRAM DISHWASHER**  
 PROFESSIONAL SERIES HANDLE



HomeConnect

Also Available In:  
 DWHDB70WFM – Flat Stainless Steel Panel with  
 Masterpiece® Series Handle  
 DWHD870WPR – Custom Panel

**FEATURES & BENEFITS**

- ★ StarDry™ – No one dries better. Star Dry with Zeolite, the ultra-powerful program that dries dishes better so place settings, glassware, and even sturdy plastics and containers with hard-to-reach crevices are ready for use immediately after each cycle
- ★ Star Speed® is a full wash cycle in just 20 minutes — industry's fastest hot water wash
- ★ Star Glow light illuminates your dishwasher with 3 levels of Sapphire Blue and introducing 3 levels of sparkling white light
- ★ Push to Open dishwasher opens with either a push or pull, so loading is easier, even when your hands are full
- ★ Entertainer's Drawer (3rd Rack) provides the ultimate flexibility in cleaning your culinary kitchen tools
- 18 Wine Glass Capacity — No need to clean your glassware in two cycles; wash them all at once so you can get back to your guests
- Thermador Connected Experience by Home Connect brings exclusive dish features that keep you connected. Always.

**ACCESSORIES (OPTIONAL)**

Dishwasher Supply and Drainage Hose Extension 7'6 3/4"	SGZ1010UC
Dishwasher Accessory Kit	SMZ5000
Fine Silverware Carafe	SMZ5002UC
Junction Box	SMZPC1B1UC



Accessory Kit includes Extra-Tall-Item Sprinkler, Vase / Bottle Holder, 3 Plastic Item Clips and Small Item Basket

★ THERMADOR® EXCLUSIVE

Page 1 of 7

2/20

**GENERAL PROPERTIES**

Number Of Wash Cycles	8
Number Of Options	7
dBA	44
Third Rack	Entertainer's Drawer
Rack Adjustability	Rackmatic 3-Stage
Tub Material	Stainless Steel
Control Type	Premium Touch Control
Concealed Heating Element	Yes
Leak Protection System	24/7 AquaStop®
Water Softener	Yes
Five-Level Wash	Yes
Childlock	No
Home Connect (Wi-Fi Enabled)	Yes

**EFFICIENCY**

Water Usage Per Cycle (g)	3.5 g
Energy Efficiency Class	Tier 1
ENERGY STAR® Qualified	Yes
Total Annual Energy Consumption (kWh)	269 kWh
Total Annual Water Consumption (g)	623.5 g

**CAPACITY**

Number Of Place Settings	16
--------------------------	----

**TECHNICAL DETAILS**

Watts (W)	1440 W
Current (A)	12 A
Volts (V)	120 V
Frequency (Hz)	60 Hz
Power Cord Length (in)	67"
Power Cord Install Length from Corner of Unit (in)	45"
Minimum Water Pressure (lb/sq in)	14
Max. Temperature for Water Intake	140° F
Length Inlet Hose (in)	N/A
Length Outlet Hose (in)	79"

**DIMENSIONS & WEIGHT**

Overall Appliance Dimensions (HxWxD) (in)	33 7/8" x 23 9/16" x 23 3/4"
Required Cutout Size (HxWxD) (in)	33 7/8" Min. x 23 5/8" Min. x 24"
Adjustable Feet	Yes
Net Weight (lbs)	109 lbs

Lot 4

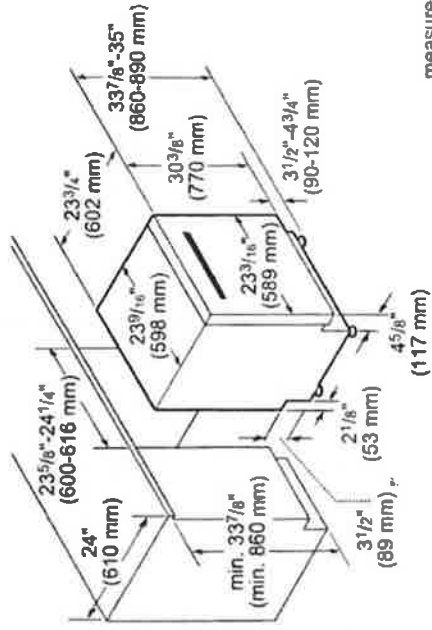
**DWHD870WFP**  
**STAR SAPPHIRE® 8-PROGRAM DISHWASHER**  
PROFESSIONAL SERIES HANDLE



**WARRANTY**

Limited Warranty, Entire Appliance, Parts and Labor	2 Year
Limited Warranty for Microprocessor or Printed Circuit Board, Parts Only	3rd to 5th Year
Limited Warranty for Racks (Does Not Include Rack Components), Parts Only	3rd to 5th Year
Limited Warranty for Rust-through On Inner Tub Liner, Parts Only	Lifetime

**DISHWASHER & CUTOUT DIMENSIONS**



measurements in inches and mm

These drawings give you the basic information and you may have other rights that vary from state to state. For complete warranty details, refer to your User's Guide manual or ask your dealer.

Specifications are for planning purposes only. Before installation, contact us and consult your installer to make certain specifications meet your site for an additional measurement. For the most detailed information, refer to installation instructions. Thermador reserves the right to change product specifications without notice. Some models are certified for use in Canada. Thermador is not responsible for products that are manufactured from the U.S. for use in Canada.

1-800-735-4328 | U.S.A. THERMADOR.COM | CANADA THERMADOR.CA | ©2020 TISH HOME APPLIANCE'S CORPORATION. ALL RIGHTS RESERVED



Lot 4  
Bar Fridge

5/7/2020

5.3 Cu. Ft. Built-In Beverage Center

## FRIGIDAIRE

### FGBC5334VS

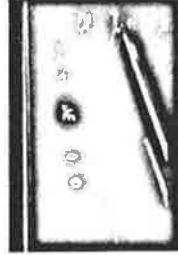
5.3 Cu. Ft. Built-In Beverage Center

#### SIGNATURE FEATURES



**16S Twelve-Ounce Can Storage Capacity**  
Keep your favorite refreshments at just the right temperature without sacrificing refrigerator space with this 5.3 cubic foot built-in beverage center that has an easy fit, capacity of 16S twelve-ounce cans and a maximum fit capacity of up to 19S twelve-ounce cans.

#### AVAILABLE COLORS



**Precision Temperature Controls with LED Display Can Chill Beverages Down to 34°F**  
Keep your drinks at the perfect temperature with LED temperature controls and display which can be easily adjusted from 34°F to 50°F with the touch of a button.

#### PRODUCT DIMENSIONS

Height	34 3/8 to 35
Width	23 7/16
Depth	23 1/4

#### MORE EASY-TO-USE FEATURES

**Door Alarm**  
Monitor the ideal environment for your drinks and avoid unwanted beverages with our audible door alarm that alerts you if the door is mistakenly left open.

**LED Interior Lighting**  
Showcase your beverage collection or keep it discreet with bright LED interior lighting which can be turned on/off according to your preference.

**Reversible Door Swing**  
Door can be installed to open left or right based on your finish.



**Sleekly Designed Stainless Steel Door with Tinted Glass Shelving and Adjustable Glass Shelving**  
Enjoy the sleek look of a contemporary handle, stainless steel door with tinted glass shelving and adjustable end-to-end glass shelving with stainless steel trim on this elegant beverage center.



#### Built-in or Freestanding Installation

Conveniently place this Beverage Center in your kitchen or bar area with our front venting cooling system that enables built-in or freestanding installation and leg levelers for customizing to your height needs.

[frigidaire.com/vfrigidaire.ca](https://www.frigidaire.com/vfrigidaire.ca)

<https://www.frigidaire.ca/en-CA/modal/product/printview/FGBCC5334VS>

1/2

5/7/2020

5.3 Cu. Ft. Built-In Beverage Center

## FGBC5334VS 5.3 Cu. Ft. Built-In Beverage Center

FRIGIDAIRE

### General Specifications

PROP 65 Label	Yes
Product Weight (lbs)	116
Leveling Legs	Yes - 4
Temp Range	34 to 50°F
Annual Cost (DUES / kWh)	37
Condenser Type	Dynamic
Interior Light	LED
Frost-Free Performance	Yes
Shipping Weight (lbs)	119
Power Type	Electric
Size	5 Cu Ft
Installation Type	Built-in or Free-Standing
Collection	Unrecyclable
Depth (w/ Door Open)	45-5/4
Width	24 7/8
Height (Min)	34-1/8
Depth	23-1/4
Height	34-1/8 to 35

### Exterior

Reversible Door	Yes
Door Gasket	Black
Door Finish	Stainless Steel
Lock with Pop-Out Key	No
Glass Door	Tinted
Cabinet Color	Black
Door Closets	No
Compartments & Assembly	
ENERGY STAR Certified	No
Capacity	
Total Capacity - Cu Ft	5.3
Max Storage	165 Lbms
Electrical and Features	
Voltage Rating	15V 60Hz
Connection, Section	Lower Right Rear Corner
Min Circuit Required	15A
Controls	
Control Location	Top Center
Adjustable Temp Control	Electronic
Display Type	LED
Temp Display Mode	F / C
Control On *	No
Power On/Off	Yes
Power On/Off	
Interior Light	Yes
Adjustable Shelves	3 Adjustable

**Note:** For delivery programs only. Always check local and national electrical and plumbing codes. Refer to product installation guide for detailed installation instructions on the web at [frigidaire.com](http://frigidaire.com) / [frigidaire.ca](http://frigidaire.ca). Specifications subject to change. \*A. Customer information available on the web at [frigidaire.com](http://frigidaire.com) / [frigidaire.ca](http://frigidaire.ca)

## FRIGIDAIRE

USA - 10200 David Taylor Drive • Charlotte, NC 28267 • 1-800-4-A-FRIG • [Frigidaire.com](http://Frigidaire.com)  
Canada - 3655 Torry, Po. Box, Markham, ON L3Y 3K4 • 1-800-265-8852 • [Frigidaire.ca](http://Frigidaire.ca)

© 2019 Electrolux Home Products, Inc. FGBC5334VS