

CONSTRUCTION SUMMARY

North Oakville - 111 - 1 - WILLOW VALLEY (43-02) ELEV A

Registere Plan Number: Municipal Address: Closing: **14-Jan-20**

CABINETS

Inv.27	35	20Oct19 / 11Oct19	1 - KITCHEN CABINETS: INSTALL LEVEL 9 CABINETS THROUGHOUT KITCHEN AND PANTRY **NOTE** KITCHEN UPPERS TO BE 90cm HIGH TO MAKE ROOM FOR THE STACKED UPPERS Note:
Inv.27	39	20Oct19 / 11Oct19	1 - KITCHEN: DELETE UPPER CABINETS ABOVE STOVE. PURCHASER WILL INSTALL CHIMNEY FAN AFTER CLOSING (36" WIDE) Note:
Inv.27	41	20Oct19 / 11Oct19	1 - KITCHEN: INSTALL 36" COOKTOP CABINET WITH POT AND PAN DRAWERS BELOW Note:
Inv.27	382	20Oct19 / 11Oct19	1 - KITCHEN: INSTALL STACKED CABINETS THROUGHOUT KITCHEN AND SERVERY. *NOTE: NOT TO GO ABOVE STOVE Note:
Inv.27	43	20Oct19 / 11Oct19	1 - KITCHEN: INSTALL DEEP FRIDGE UPPERS Note:
Inv.27	44	20Oct19 / 11Oct19	4 - KITCHEN: INSTALL FOUR (4) GLASS CABINETS IN KITCHEN. NOTE DOORS ARE WHITE AND MATCHING INTERIORS ARE NOT NEEDED. SEE SKETCH FOR LOCATIONS Note:
Inv.27	45	20Oct19 / 11Oct19	1 - MASTER ENSUITE: INSTALL MAKE-UP COUNTER WITH TWO (2) DRAWERS IN LIEU OF STANDARD DOORS Note:
Inv.27	46	20Oct19 / 11Oct19	1 - KITCHEN: INSTALL WALL OVEN UNIT WITH POT DRAWER BELOW. SEE SKETCH FOR LOCATION Note:

CABINETS ACCESSORIES

Inv.27	36	20Oct19 / 11Oct19	1 - KITCHEN: INTSALL 1ST UPGRADE HANDLES IN KITCHEN AND SERVERY Note:
Inv.27	42	20Oct19 / 11Oct19	1 - KITCHEN: INSTALL 45CM 2-BIN RECYCLING IN KITCHEN ISLAND Note:

CEILING

Inv.6	13	24Jun19 / 26Aug19	1 - MASTER BEDROOM: EXTEND COFFERED CEILING TO THE NEW DIMENTIONS OF ROOM. Note:
-------	----	-------------------	--

CONSTRUCTION SUMMARY

North Oakville - 111 - 1 - WILLOW VALLEY (43-02) ELEV A

Registere Plan Number: Municipal Address: Closing: **14-Jan-20**

CEILING

Inv.6	1 - KITCHEN/BREAKFAST AREA: INSTALL COFFERED -KITCHEN AND BREAKFAST AREA	
17		
Line 164	Note:	
24Jun19 / 26Aug19		

CERAMIC TILE

Inv.27	1 - FOYER: INSTALL 6TH UPGRADE TILE IN FOYER	
47		
Line 387	Note: PRICE APPROVED BY HEAD OFFICE	
20Oct19 / 11Oct19	*TRY TO INSTALL TILES SO THAT IF A CUT NEEDS TO BE MADE, IT WILL BE ON BOTH EDGES.	
Inv.27	1 - MASTER ENSUITE FLOOR: INSTALL 5TH UPGRADE FLOOR TILE ON MASTER ENSUITE FLOOR	
48		
Line 388	Note: PRICE APPROVED BY HEAD OFFICE	
20Oct19 / 11Oct19		
Inv.27	1 - MASTER ENSUITE SHOWER: INSTALL 5TH UPGRADE FLOOR TILE IN MASTER ENSUITE SHOWER	
49		
Line 389	Note: PRICE APPROVED BY HEAD OFFICE	
20Oct19 / 11Oct19		
Inv.27	1 - MASTER ENSUITE SHOWER FLOOR: INSTALL 5TH UPGRADE MOSAIC FLOOR TILE IN MASTER ENSUITE SHOWER FLOOR	
50		
Line 390	Note: PRICE APPROVED BY HEAD OFFICE	
20Oct19 / 11Oct19		

CONSTRUCTION

Inv.6	1 - MASTER ENSUITE: PREPARE ONE (1) ROUGH OPENING FOR SHOWER NICHE : 14 1/4"W x 16"H x 3 5/8"D	
32		
Line 270	**NOTE: PURCHASER IS AWARE THAT COST TO FINISH NICHE CAN RANGE BETWEEN \$1200.00-\$1400.00**	
24Jun19 / 26Aug19	Note:	
Inv.6	1 - MASTER BEDROOM: INSTALL ADDITIONAL SOUNDPROOF INSULATION ON WALL THAT IS BESIDE LOFT AREA, ABOVE THE GREAT ROOM. SEE SKETCH. **ONE WALL ONLY**	
11		
Line 161	Note:	
24Jun19 / 26Aug19		
Inv.6	1 - 2ND FLOOR: REDESIGN THE 2ND FLOOR TO SWITCH BED #2 WITH THE MASTER ENSUITE IN ORDER TO ENLARGE THE MASTER CLOSETS, THEREFORE ELIMINATING BED #2 ENTIRELY.	
12		
Line 162	COST INCLUDES REDESIGN AND NEW HEAT CALCULATIONS	
24Jun19 / 26Aug19	Note:	
Inv.6	1 - MASTER BEDROOM CLOSETS: EXTEND THE STANDARD SHELVING TO THE NEW DIMENTIONS	
14		
Line 166	Note:	
24Jun19 / 26Aug19		

COUNTERTOP

Inv.27	1 - KITCHEN: CUTOUT IN COUNTER FOR 36" COOKTOP	
40		
Line 379	Note:	
20Oct19 / 11Oct19		

North Oakville - 111 - 1 - WILLOW VALLEY (43-02) ELEV A

 Registere Plan Number: Municipal Address: Closing: **14-Jan-20**

Inv.27	1 - KITCHEN: INSTALL MSI STONE 3 KITCHEN COUNTERTOP, INCLUDING SERVERY
38	Note:
Line 377	
20Oct19 / 11Oct19	

ELECTRICAL

Inv.6	1 - GREAT ROOM: INSTALL RECEPTACLES - DEDICATED 15 AMP 120 VOLT RECEPTABLE- ABOVE FIREPLACE FOR FUTURE TV
4	Note:
Line 220	
24Jun19 / 26Aug19	

Inv.6	1 - MUD ROOM: INSTALL DEDICATED 15 AMP 120 VOLT RECEPTABLE- TO BE INSTALLED 4' FROM FINISHED CEILING. SEE SKETCH. LOCATIONS MAY VARY SLIGHTLY DUE TO JOIST LOCATIONSRECEPTACLES -
6	Note:
Line 222	
24Jun19 / 26Aug19	

Inv.6	1 - KITCHEN: CEILING FIXTURE - RELOCATE STANDARD CEILING FIXTURE. TO GO ABOVE KITCHEN ISLAND. LOCATIONS MAY VARY SLIGHTLY DUE TO JOIST LOCATIONS
24	Note:
Line 223	
24Jun19 / 26Aug19	

Inv.6	1 - LIVING ROOM: INSTALL CEILING LIGHT ROUGH IN - FOR 1 CEILING LIGHT - ON SEPARATE SWITCH (DOES NOT INCLUDE FIXTURE). LOCATIONS MAY VARY SLIGHTLY DUE TO JOIST LOCATIONS
25	Note:
Line 224	
24Jun19 / 26Aug19	

Inv.6	4 - GREAT ROOM: INSTALL FOUR (4) POT LIGHTS, ON SEPERATE SWITCH - 4" LED NON-INSULATED CEILINGS. LOCATIONS MAY VARY SLIGHTLY DUE TO JOIST LOCATIONS
26	Note:
Line 225	
24Jun19 / 26Aug19	

Inv.6	5 - KITCHEN: INSTALL FIVE (5) POT LIGHTS, ON SEPERATE SWITCH - 4" LED NON-INSULATED CEILINGS. LOCATIONS MAY VARY SLIGHTLY DUE TO JOIST LOCATIONS
27	Note:
Line 226	
24Jun19 / 26Aug19	

Inv.6	1 - ENSUITE 4: INSTALL RECEPTACLES - DEDICATED 15 AMP 120 VOLT GFCI RECEPTABLE (INTERIOR). TO GO BESIDE TOILET, 8" OFF FINISHED FLOOR
31	Note:
Line 230	
24Jun19 / 26Aug19	

Inv.6	1 - ENSUITE 3: INSTALL RECEPTACLES - DEDICATED 15 AMP 120 VOLT GFCI RECEPTABLE (INTERIOR). TO GO BESIDE TOILET, 8" OFF FINISHED FLOOR
30	Note:
Line 231	
24Jun19 / 26Aug19	

Inv.6	1 - ENSUITE 2: INSTALL RECEPTACLES - DEDICATED 15 AMP 120 VOLT GFCI RECEPTABLE (INTERIOR) TO GO BESIDE TOILET, 8" OFF FINISHED FLOOR
29	Note:
Line 232	
24Jun19 / 26Aug19	

Inv.6	1 - MASTER ENSUITE: RECEPTACLES - DEDICATED 15 AMP 120 VOLT GFCI RECEPTABLE (INTERIOR)- TO GO BESIDE TOILET, 8" OFF FINISHED FLOOR
28	Note:
Line 233	
24Jun19 / 26Aug19	

Inv.6	1 - KITCHEN: INSTALL RECEPTACLES - ADDITIONAL 15 AMP 120 VOLT RECEPTABLE- FOR GAS STOVE
22	Note:
Line 172	
24Jun19 / 26Aug19	

CONSTRUCTION SUMMARY

North Oakville - 111 - 1 - WILLOW VALLEY (43-02) ELEV A

Registere Plan Number: Municipal Address: Closing: **14-Jan-20**

Inv.6	23	Line 173	24Jun19 / 26Aug19	<p>1 - KITCHEN: INSTALL OUTLETS - DEDICATED 40 AMP 220 VOLT RANGE OUTLET- FOR WALL OVEN UNIT. SEE SKETCH FOR LOCATION</p> <p>Note:</p>
Inv.6	1	Line 55	24Jun19 / 26Aug19	<p>1 - TELEPHONE AND CABLE ROUGH-IN LOCATION SKETCH. LOCATIONS MAY VARY SLIGHTLY DUE TO JOIST LOCATIONS</p> <p>Note:</p>

HARDWOOD FLOORING

Inv.27	51	Line 391	20Oct19 / 11Oct19	<p>1 - MAIN FLOOR: INSTALL LEVEL 3 HARDWOOD ON MAIN FLOOR: MAIN HALL, LIVING, DINING, GREAT ROOM AND KITCHEN</p> <p>Note:</p>
Inv.27	52	Line 392	20Oct19 / 11Oct19	<p>1 - UPPER HALL: INSTALL LEVEL 3 HARDWOOD ON UPPER HALL</p> <p>Note:</p>
Inv.27	53	Line 393	20Oct19 / 11Oct19	<p>1 - STAIRCASE: INSTALL SANDED OAK LANDINGS ON STAIRS</p> <p>Note:</p>

HVAC

Inv.6	19	Line 169	24Jun19 / 26Aug19	<p>1 - KITCHEN: INSTALL GAS PIPING AND OTHER - GAS LINE R/I FOR STOVE - UP TO 3/4 INCH LINE</p> <p>Note:</p>
Inv.6	20	Line 170	24Jun19 / 26Aug19	<p>1 - EXTERIOR: INSTALL GAS PIPING AND OTHER - GAS LINE R/I FOR BBQ - UP TO 3/4 INCH LINE</p> <p>Note:</p>

INTERIOR DOORS & TRIM

Inv.6	15	Line 167	24Jun19 / 26Aug19	<p>1 - MASTER BEDROOM: INSTALL DOUBLE DOOR ENTRY INTO MASTER BEDROOM</p> <p>Note:</p>
Inv.32	61	Line 450	27Oct19 / 8Nov19	<p>1 - STAIRCASE: INSTALL SECOND POST AT THE MAIN STAIRS. WIDTH BETWEEN THE TWO POSTS WILL BE APPROX. 35" WIDE.</p> <p>POST TO LOOK LIKE THE POSTS IN MODEL 313</p> <p>Note:</p>
Inv.27	55	Line 395	20Oct19 / 11Oct19	<p>1 - MASTER ENSUITE: INSTALL A FRAMELESS GLASS SHOWER ENCLOSURE</p> <p>Note:</p>
Inv.27	58	Line 398	20Oct19 / 11Oct19	<p>19 - UPGRADE NINETEEN (19) INTERIOR DOORS TO "CONMORE"</p> <p>Note:</p>

North Oakville - 111 - 1 - WILLOW VALLEY (43-02) ELEV A

Register Plan Number: Municipal Address: Closing: 14-Jan-20

MISCELLANEOUS

Inv.27	1 - BONUS AS PER SALES PROMOTION	
60	Line 403	Note:
20Oct19 / 11Oct19		
Inv.6	1 - Purchaser has attended a Structural appointment at the Decor Centre & has DECLINED any additional upgrades and accepts and acknowledges that there will be no further structural changes/additions/deletions to be made upon signing on July 30, 2019.	
Line 227		Note:
24Jun19 / 26Aug19		
Inv.6	1 - Purchasers are aware & accepts that ANY changes made to upgrades after signing this Purchasers Extra Form are subject to a minimum administration fee ,	
34	Line 228	Note:
24Jun19 / 26Aug19		

PAINT

Inv.27	1 - STAIRCASE: STAIN STAIRS AND LANDINGS AS CLOSE TO HARDWOOD AS POSSIBLE.	
54	INCLUDES MAIN TO SECOND AND MAIN TO BASEMENT	
Line 394	Note: NOTE: HARDWOOD IS A DIFFERENT SPECIES THAT THE OAK STAIRS. EVERY ATTEMPT WILL BE MADE TO GET AS CLOSE OF A MATCH AS POSSIBLE	
20Oct19 / 11Oct19		

PLUMBING

Inv.27	1 - MASTER ENSUITE SHOWER: INSTALL RAINSHOWER HEAD	
56	MOEN SINGLE FUNCTION 8" RAINSHOWER WITH IMMERSION MODEL #6345 CHROME	
Line 396		Note:
20Oct19 / 11Oct19		
Inv.27	1 - MASTER ENSUITE SHOWER: INSTALL 6" STRAIGHT SHOWER ARM	
57	MOEN #116651 CHROME	
Line 397		Note:
20Oct19 / 11Oct19		
Inv.6	1 - KITCHEN: INSTALL EXTRA ROUGH-IN LINE FOR FRIDGE ICE MAKER WITH SHUT-OFF	
118	Line 168	Note:
24Jun19 / 26Aug19		
Inv.6	1 - MASTER ENSUITE: INSTALL SHOWER HEAD - RAINSHOWER HEAD- PLUMBING ONLY.	
21	SHOWERHEAD MUST BE SEECTED AT THE TIME OF COLOUR APPOINTMENT.	
Line 171		Note:
24Jun19 / 26Aug19		
Inv.6	1 - MASTER ENSUITE: INSTALL SHOWER SEAT IN MASTER ENSUITE SHOWER STALL	
116	Line 163	Note:
24Jun19 / 26Aug19		

RAILING

Inv.27	1 - STAIRCASE: INSTALL DISPLAY 2-A SPOON SERIES 1/2" METAL- SINGLE SPOON/DOUBLE TEXTURED BLACK WITH ELORA POST. ON MAIN TO SECOND FLOOR AND MAIN TO BASEMENT	
59	Line 399	Note:
20Oct19 / 11Oct19		

STAIRS

North Oakville - 111 - 1 - WILLOW VALLEY (43-02) ELEV A

 Register Plan Number: Municipal Address: Closing: **14-Jan-20**

Inv.6	10	1 - STAIRCASE: ELIMINATE THE 42" KNEE WALL, BUILD WALL UNDER STAIRS. LANDING AREA TO BE CLOSED IN. SEE PICTURE PROVIDED.
Line 160		**NOTE: STAIRS AND RAILINGS ARE STANDARD AND IN A NATURAL FINISH.**
24Jun19 / 26Aug19		Note:

VACCUM/BELL

Inv.6	7	1 - Conduit - 1 1/4" Orange Flex Conduit Approx. 15ft for attic
Line 57		Note:
24Jun19 / 26Aug19		
Inv.6	3	1 - GREAT ROOM: INSTALL CONDUIT - 1 1/4" ORANGE FLEX CONDUIT APPROX. 35FT FOR FIREPLACE
Line 219		Note:
24Jun19 / 26Aug19		
Inv.6	5	1 - MUD ROOM: INSTALL TELEVISION - RG6U CABLE TV- TO BE INSTALLED 4' FROM FINISHED CEILING. SEE SKETCH. LOCATIONS MAY VARY SLIGHTLY DUE TO JOIST LOCATIONS
Line 221		Note:
24Jun19 / 26Aug19		

WINDOWS

Inv.6	8	1 - GREAT ROOM/ LOFT: ENLARGE THE WINDOWS IN THE LOFT AREA TO MATCH THE HEIGHT OF THE GREAT ROOM.
Line 158		Note:
24Jun19 / 26Aug19		
Inv.6	9	1 - GREAT ROOM/ LOFT: WIDEN THE WINDOWS IN THE GREAT ROOM AND LOFT AREA BY 1 FOOT (NEW WIDTH TO BE 8')
Line 159		Note:
24Jun19 / 26Aug19		

WINDOWS & DOORS

Inv.6	2	4 - BASEMENT: ENLARGE ALL FOUR (4) BASEMENT WINDOWS TO 36" X 30"
Line 56		Note:
24Jun19 / 26Aug19		

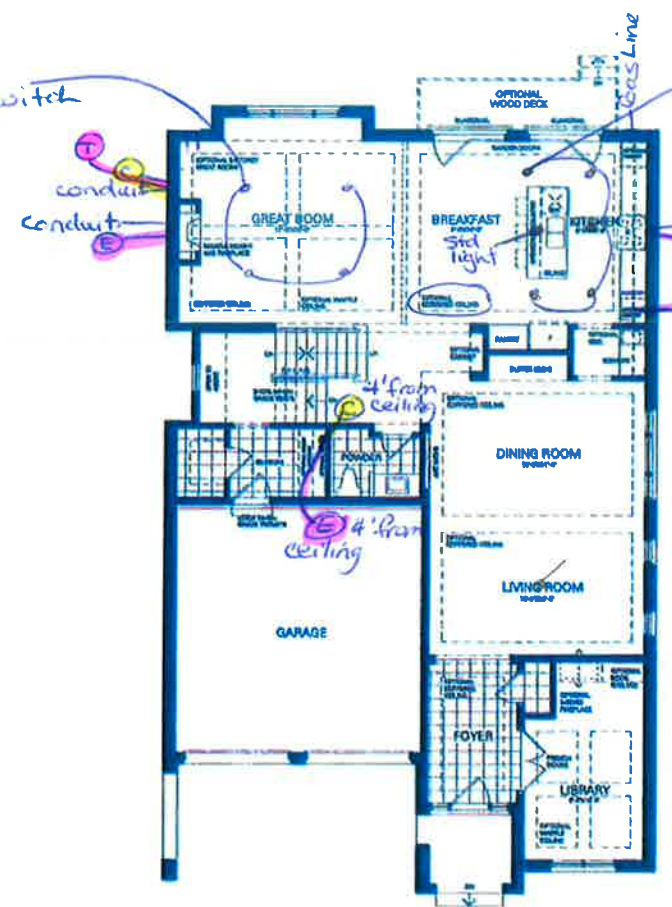
505

Telephone — (T)
Cable — (C)
Electrical — (E)

4 pots on separate switch

Spots on separate switch

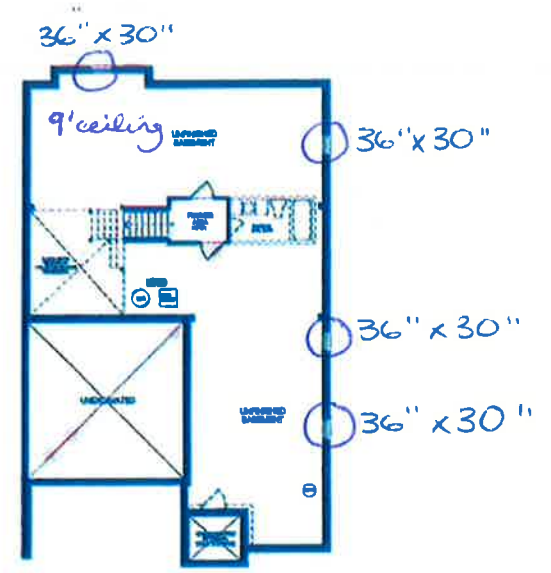
conduit
conduit
Gas Line
For Future Walkover



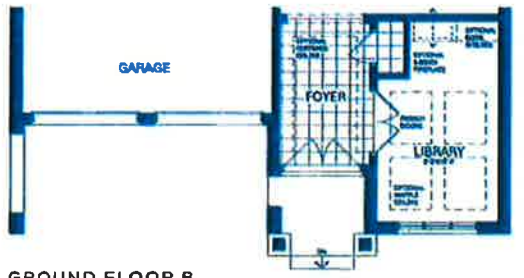
GROUND FLOOR A



SECOND FLOOR A



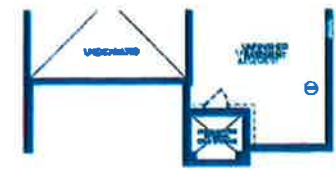
BASEMENT A



GROUND FLOOR B



SECOND FLOOR B



BASEMENT B

Lot 111
July 30, 2019

505

Willow Valley

Elevation A
3,623 Sq.ft.

Includes 47 Sq.ft. of Finished Basement



Elevation B
3,628 Sq.ft.

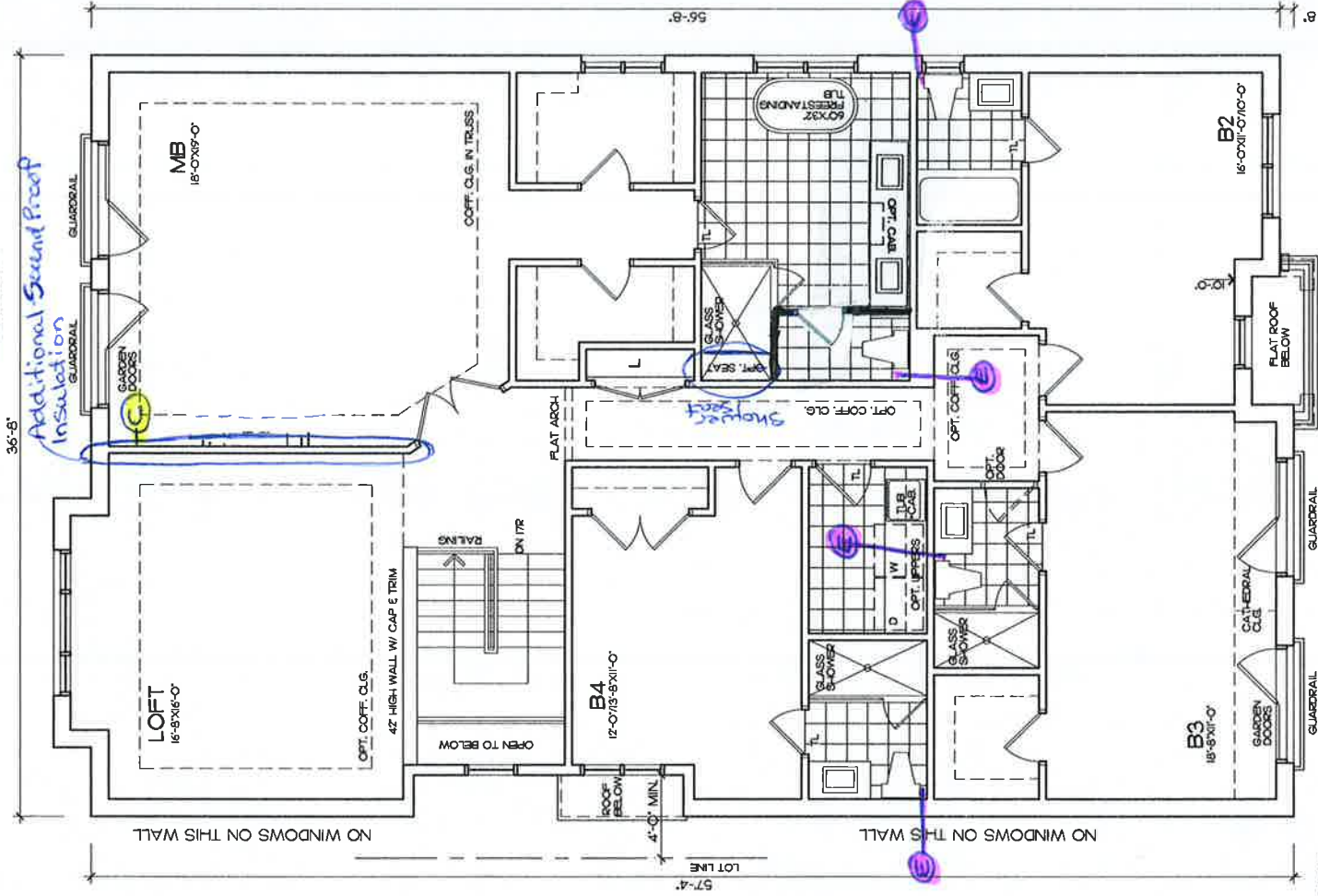
Includes 47 Sq.ft. of Finished Basement

Disclaimer: All dimensions are approximate and subject to normal construction variances. Dimensions may exceed the useable floor area. Sizes and specifications subject to change without notice. Furniture is displayed for illustration purposes only and does not necessarily reflect the electrical plan for the suite. Suites are sold unfurnished. Balcony and facade variations may apply, contact a sales representative for further details. EAO.E. ©Valery Homes 2018. All rights reserved.



Cable ———— (C)
 Electrical ———— (E)

Designed by
 Diana Kirk
 4773373734-031
 7/16/2019
 Insulated by
 [Signature]
 9777373734-031
 7/16/2019



It is the builder's complete responsibility to fully comply with the Architectural Guidelines including zoning provisions and any provisions in the subdivision agreement. The Council, engineering or approving site (utility) plans or building code or permit master of the city or house can't properly call or issues on its lot.

This is to certify that these plans comply with the applicable Architectural Design Guidelines approved by the Town of OWENVILLE.

SECOND FLOOR - ELEV A
 CUSTOM LOT III
 TYPE OAK-432/CIII

NOTE: SEE CEILING FOR SECOND FLOOR ROOMS

PRELIMINARY
 NOT FOR BUILDING PERMIT
 NOT FOR CONSTRUCTION

LAST REVISION JUL.16, 2019

	OAKVILLE - ONTARIO	
	NAME: JOHN Z. LISU DATE: 07/16/2019 PROJECT NO.: 1715 DRAWING NO.: A	REVISIONS NO. DATE DESCRIPTION
THE INFORMATION HEREON IS THE PROPERTY OF VALERY HOMES. IT IS TO BE USED ONLY FOR THE PROJECT AND SITE SPECIFICALLY IDENTIFIED HEREON. ANY REUSE, REPRODUCTION, OR DISTRIBUTION OF THIS INFORMATION WITHOUT THE WRITTEN CONSENT OF VALERY HOMES IS STRICTLY PROHIBITED.	SECOND FLOOR PLAN ELEVATION A CUSTOM LOT III	SCALE: 3/16" = 1'-0" DRAWN BY: PRO CHECKED BY: [Signature] TRANSFER DATE: 12/13/13 PROJECT NO.: 1715 DRAWING NO.: A

Lot 111
 July 30, 2019

(573)

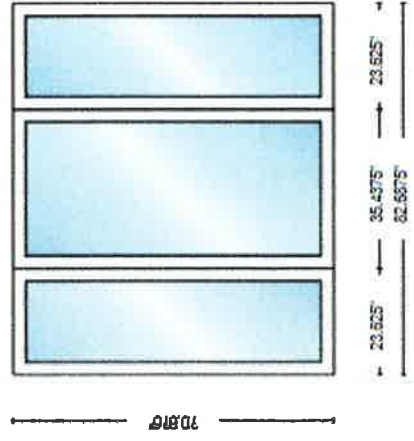
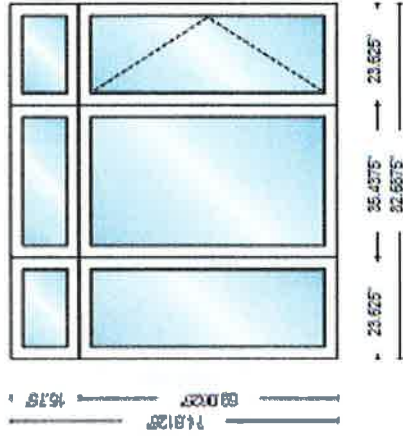
Lot 111
July 30, 2019



Staircase change



Lot 1111
Aug 6, 2019



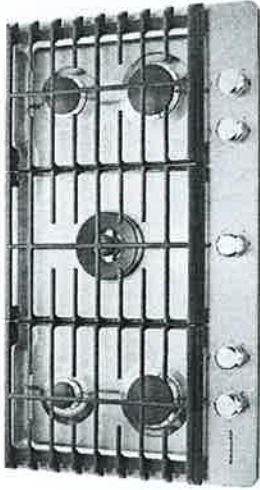
207111

Prepared by
Ali Taher

ataher@appliancescanada.com (905) 660-2424 2352



S13
90



KitchenAid® 36" 5-Burner Gas Cooktop

KCGS556ESS

Available Finishes/Colours

KCGS556ESS
Stainless Steel

Dimensions

Depth	21
Height	3 11/16
Width	36
Cutout Depth	19 13/16
Cutout Height	5 1/4
Cutout Width	35 3/16

If you love to experiment and push culinary limits, you'll appreciate the power and versatility of this 36-inch cooktop. Five individual burners includes a powerful 20K BTU Dual Ring Burner that is among the most powerful in the industry. The eye-catching design includes Multi-Finish Knobs and the scratch-resistant CookShield Finish help protect the surface against stains that may occur with high-temperature cooking.

Top Features

20K BTU Professional Dual Ring Burner

6K BTU Even-Heat™ Simmer Burner

CookShield Finish

Performance

Fuel Type Gas

Design

Hot Surface Indicator No

Manuals & Literature:

- Use and Care Dimension Guide
- Installation Instructions Warranty

KitchenAid

Because Whirlpool Corporation policy includes a continuous commitment to improve our products, we reserve the right to change materials and specifications without notice. Dimensions are for planning purposes only. For complete details, see Installation Instructions packed with product. Specifications subject to change without notice.

Lot 111

OR TO

30" (76.2 CM) AND 36" (91.4 CM) GAS BUILT-IN COOKTOP

PRODUCT MODEL NUMBERS

KCGS350E	KCGS950E	MGC9530D	WCG75US0D
KCGS356E	KCGS956E	MGC9536D	WCG97US0D
KCGS550E	MGC7430D	WCG51US0D	WCG97US6D
KCGS556E	MGC7536D	WCG51US6D	

GAS SUPPLY REQUIREMENTS

Type of Gas

Natural Gas:

This cooktop is factory set for use with Natural gas. If converting to LP gas, see the "LP Gas Conversion" instructions provided in the package containing literature. The model/serial rating plate located on the underside of the cooktop base has information on the types of gas that can be used. If the types of gas listed do not include the type of gas available, check with the local gas supplier.

LP Gas Conversion:

Conversion must be done by a qualified service technician.

No attempt shall be made to convert the cooktop from the gas specified on the model/serial rating plate for use with a different gas without consulting the serving gas supplier. See the Gas Conversion instructions provided in the package containing literature.

Gas Supply Line

Provide a gas supply line of 1/4" (1.9 cm) rigid pipe to the cooktop location. A smaller size pipe on longer runs may result in insufficient gas supply. Pipe-joint compounds that resist the action of LP gas must be used. Do not use TEFLON® tape. With LP gas, piping or tubing size should be 1/8" minimum. Usually, LP gas suppliers determine the size and materials used in the system.

Flexible metal appliance connector:

If local codes permit, use a 1/4" or 1/2" I.D. flexible stainless steel tubing gas connector, designed by CSA to connect the cooktop to the rigid gas supply line.

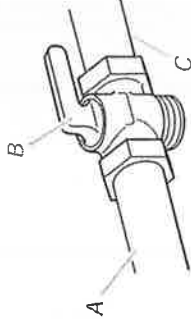


A 1/2" male pipe thread is needed for connection to the female pipe threads of the inlet to the cooktop pressure regulator.

Do not kink or damage the flexible metal tubing when moving the cooktop.

Must include a shutoff valve:

The supply line must be equipped with a manual shutoff valve. This valve should be located in the same room but external to the cooktop opening, such as an adjacent cabinet. It must be accessible without removing the cooktop, and it should be in a location that allows ease of opening and closing. Do not block access to shutoff valve. The valve is for turning on or shutting off gas to the cooktop.



- A. Gas supply line
- B. Shutoff valve "open" position
- C. To cooktop

*TEFLON is a registered trademark of E.I. Du Pont De Nemours and Company.

ELECTRICAL REQUIREMENTS

A 120 volt, 60 Hz, AC only, 15-amp, fused electrical circuit is required. A time-delay fuse or circuit breaker is also recommended. It is recommended that a separate circuit serving only this cooktop be provided.

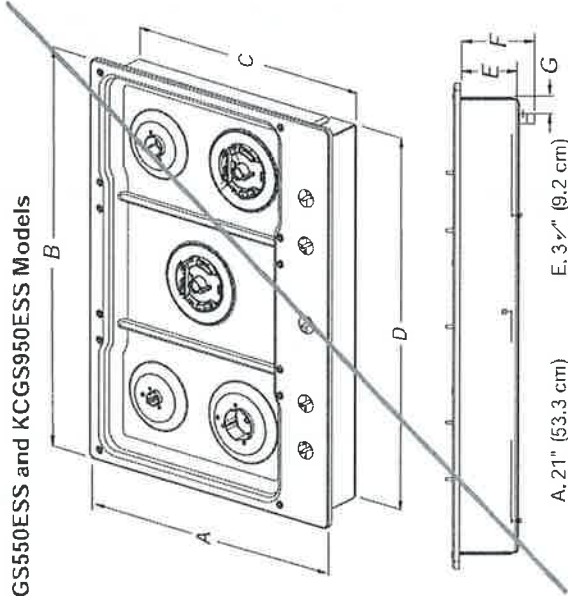
Electronic ignition systems operate within wide voltage limits, but proper grounding and polarity are necessary. Check that the outlet provides 120-volt power and is correctly grounded.

Lot 111

QR SB

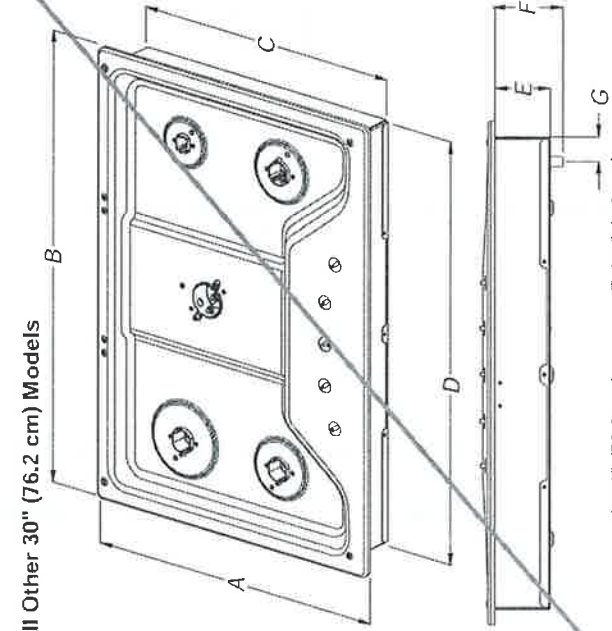
PRODUCT DIMENSIONS

KCGS550ESS and KCGS950ESS Models



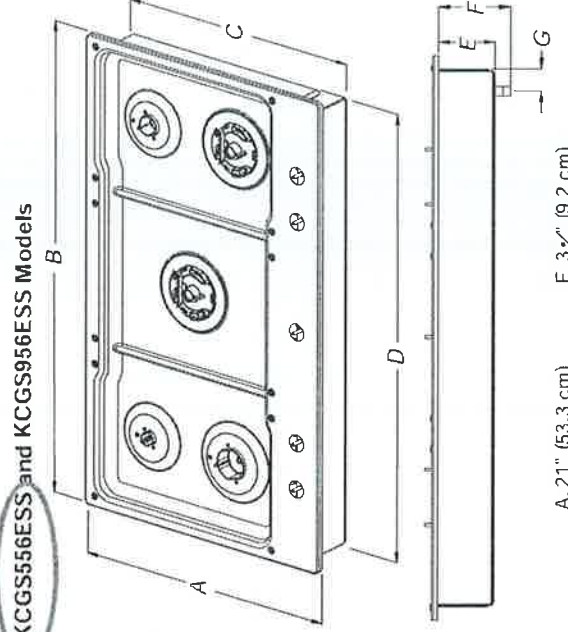
- A. 21" (53.3 cm)
- B. 30" (76.2 cm)
- C. 19 1/2" (49.2 cm)
- D. 28 1/2" (72.1 cm)
- E. 3 1/2" (9.2 cm)
- F. 4 1/2" (11.6 cm)
- G. 1 1/2" (3.4 cm)

All Other 30" (76.2 cm) Models



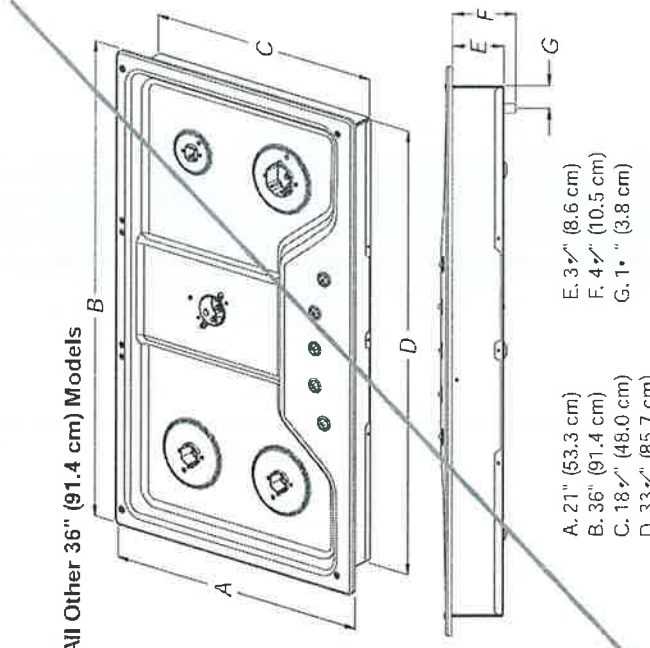
- A. 21" (53.3 cm)
- B. 30" (76.2 cm)
- C. 18 1/2" (48.0 cm)
- D. 28 1/2" (72.1 cm)
- E. 3 1/2" (8.6 cm)
- F. 4 1/2" (10.5 cm)
- G. 1 1/2" (3.8 cm)

KCGS556ESS and KCGS956ESS Models



- A. 21" (53.3 cm)
- B. 36 1/2" (92.0 cm)
- C. 19 1/2" (49.2 cm)
- D. 34 1/2" (88.1 cm)
- E. 3 1/2" (9.2 cm)
- F. 4 1/2" (11.6 cm)
- G. 1 1/2" (3.6 cm)

All Other 36" (91.4 cm) Models

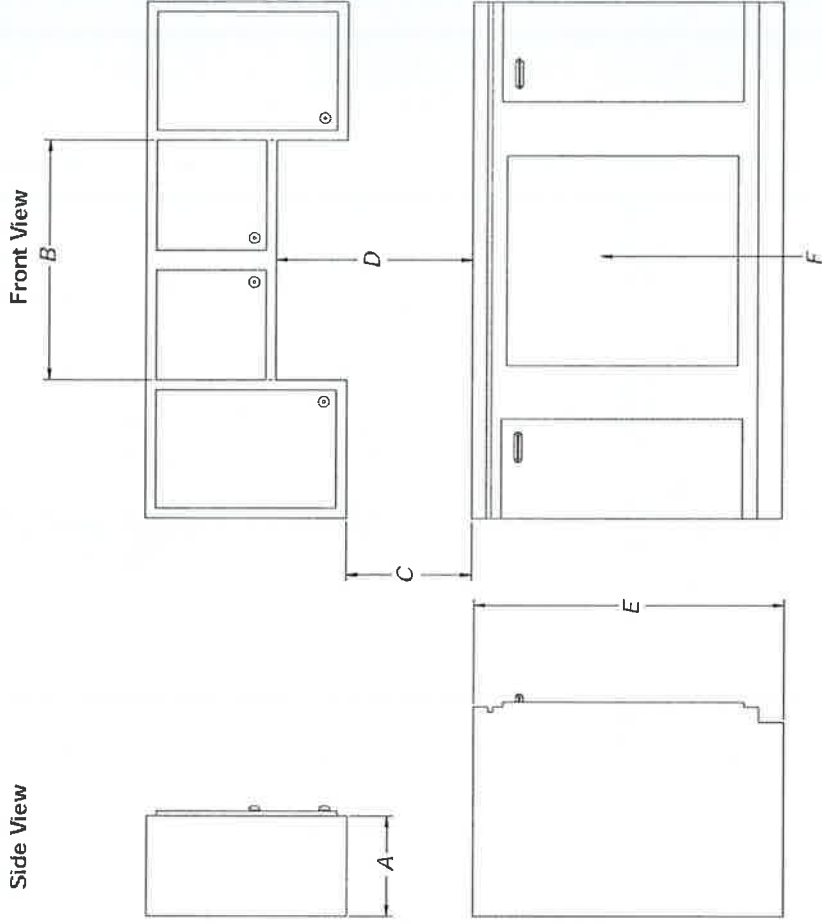


- A. 21" (53.3 cm)
- B. 36" (91.4 cm)
- C. 18 1/2" (48.0 cm)
- D. 33 1/2" (85.7 cm)
- E. 3 1/2" (8.6 cm)
- F. 4 1/2" (10.5 cm)
- G. 1 1/2" (3.8 cm)

Lot 111

DR. SB

CABINET DIMENSIONS

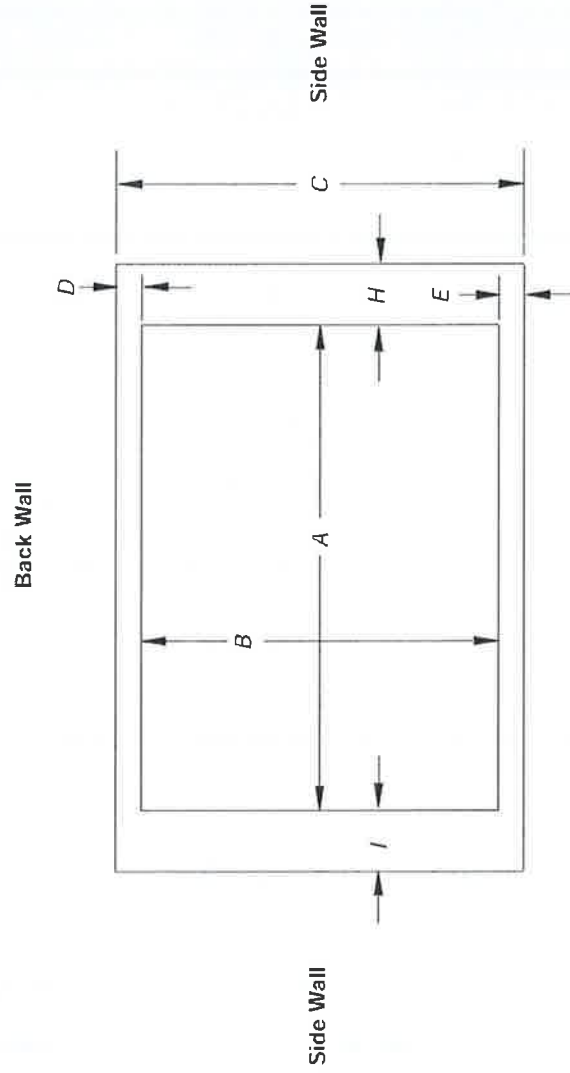


- A. 13" (33.0 cm) recommended upper cabinet depth.
- B. 30" (76.2 cm) for 30" models; 36" (91.4 cm) for 36" models.
- C. 18" (45.7 cm) minimum clearance from upper cabinet to countertop within minimum horizontal clearances to cooktop.
- D. 30" (76.2 cm) minimum clearance between top of cooktop platform and bottom of uncovered wood or metal cabinet. 24" (61 cm) minimum clearance if bottom of wood or metal cabinet is covered by not less than 1/4" (0.6 cm) flame retardant millboard covered with not less than No. 28 MSG sheet steel, 0.015" (0.04 cm) stainless steel, or 0.024" (0.06 cm) aluminum or 0.020" (0.05 cm) copper.
- E. 36" (91.4 cm) top of countertop to floor.
- F. Gas line opening - Wall: anywhere 5" (12.7 cm) below underside of countertop. Cabinet floor: anywhere within 6" (15.2 cm) of rear wall is recommended.

Lot 111

DR. SB

CABINET DIMENSIONS (CONT.)



Cutout (Product Opening) Dimensions						
30" (76.2 cm) Models						
Models	A			B		
	Min	Recommended	Max	Min	Recommended	Max
KCGS550 and KCGS950	28 1/2" (72.4 cm)	28 1/2" (73.4 cm)	29 1/2" (74.3 cm)	19 1/2" (49.5 cm)	19 1/2" (50.2 cm)	20" (50.8 cm)
All Other 30" (76.2 cm) Models	28 1/2" (72.4 cm)	28 1/2" (73.4 cm)	29 1/2" (74.3 cm)	19" (48.3 cm)	19 1/2" (49.5 cm)	20" (50.8 cm)
36" (91.4 cm) Models						
KCGS556 and KCGS956	34 1/2" (88.4 cm)	35 1/2" (89.4 cm)	35 1/2" (90.3 cm)	19 1/2" (49.5 cm)	19 1/2" (50.2 cm)	20" (50.8 cm)
All Other 36" (91.4 cm) Models	33 1/2" (86.0 cm)	34 1/2" (87.0 cm)	35 1/2" (89.5 cm)	19" (48.3 cm)	19 1/2" (49.5 cm)	20" (50.8 cm)

Side Walls (Combustible Surfaces)	
Models	H and I
KCGS5 and KCGS9	H and I added together must be at least 48" (122.0 cm), with each side individually being at least 8" (20.3 cm).
KCGS350, KCGS356, MGC9536, WCG97US0, WCG97US6	H and I added together must be at least 48" (122.0 cm), with each side individually being at least 12" (30.5 cm).
All Other Models	Both have to be 8" (20.3 cm) or more.

Back Wall and Countertop Front Dimensions		
Models	C	D
KCGS550 and KCGS950	25" (63.5 cm)	2 1/2" (6.9 cm)
All Other Models		3 1/2" (7.9 cm)

NOTES: After making the countertop cutout, some installations may require notching down the base cabinet side walls to clear the cooktop base. To avoid this modification, use a base cabinet with sidewalls wider than the cutout.
 If cabinet has a drawer, a 4" (10.2 cm) depth clearance from the countertop to the top of the drawer (or other obstruction) in base cabinet is required. The drawer depth may need to be shortened to avoid interfering with the regulator.
IMPORTANT: If a built-in wall oven is to be installed below this cooktop, the grounded outlet and gas supply piping must be located in an adjacent cabinet.

This cooktop and its gas and electrical supply sources must be installed before the undercounter built-in wall oven is installed.

207111

Dr. SB

Prepared by

Ali Taher

ataher@appliancescanada.com (905) 660-2424 2352

Appliance Canada

For Your Home, For Your Life

KitchenAid® 30" Combination Wall Oven with Even-Heat™ True Convection (Lower Oven)

KOCE500ESS

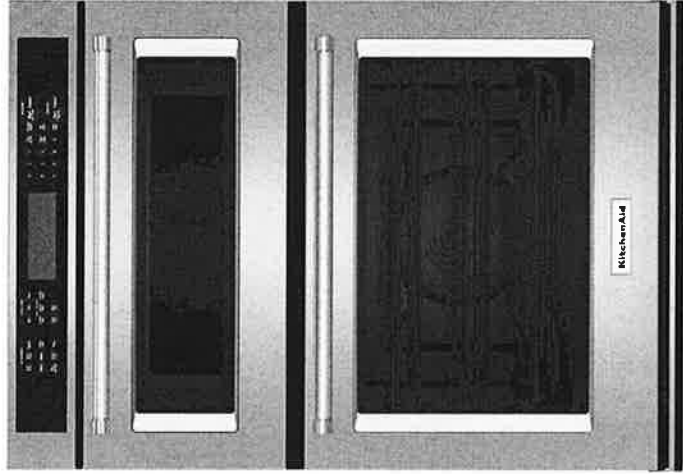
Available Finishes/Colours



KOCE500EBL
Black



KOCE500EWH
White



Dimensions		Microwave Details	
Depth	27 1/8	Door Release	Handle
Height	42 1/2	Door Swing	Drop Down
Width	30	Grill Wattage	1600
Cutout Height	41 5/16	Interior Light	Halogen
Cutout Width	28 1/2	Turntable	Yes
		Turntable Diameter Size	14 1/8

Configuration and Overview

Fuel Type	Electric	Microwave Controls	Sensor Cooking	Yes - Microwave
Oven Type	Combination			
Oven Cooking System	Convection			

Oven Features

Self-Cleaning	Adjustable Self-Cleaning	Controls	Door Type	Metal & Glass
Oven Controls	Bake, Broil, Roast	Flush Installation Approved	Yes	
Convection Functions	White	Handle Color	Stainless Steel	
Display Color	White	Handle Material	Metal	
		Oven Window Size	Extra Large	
		ADA Compliant	No	

Top Features

Even-Heat™ True Convection Oven (lower oven)

Microwave Convection Cooking (upper oven)

Professionally-Inspired Design (VBL Light)

Manuals & Literature:

- Use and Care Dimension Guide
- Installation Instructions Warranty

KitchenAid

Because Whirlpool Corporation policy includes a continuous commitment to improve our products, we reserve the right to change materials and specifications without notice. Dimensions are for planning purposes only. For complete details, see Installation Instructions packed with product. Specifications subject to change without notice.

207111

Dr. SB

KitchenAid®

27" (68.6 cm) and 30" (76.2 cm) Electric Built-In Microwave/Oven Combination

PRODUCT MODEL NUMBERS

KEMS309E KOCE500E KOCE507E

ELECTRICAL CONNECTION

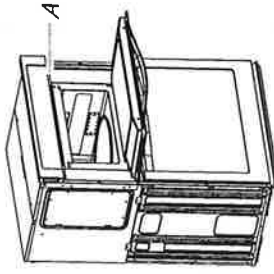
If codes permit and a separate ground wire is used, it is recommended that a qualified electrical installer determine that the ground path and the wire gauge are in accordance with local codes. Check with a qualified electrical installer if you are not sure the oven is properly grounded.

This oven must be connected to a grounded metal, permanent wiring system.

Be sure that the electrical connection and wire size are adequate and in conformance with the National Electrical Code, ANSI/NFPA 70-latest edition or CSA Standards C22.1-94, Canadian Electrical Code, Part 1 and C22.2 No. 0-M91-latest edition, and all local codes and ordinances.

To properly install your oven, you must determine the type of electrical connection you will be using and follow the instructions provided for it here.

- Oven must be connected to the proper electrical voltage and frequency as specified on the model/serial/rating plate. See the following illustration.



A. Model/serial/rating plate

- Models rated from 7.3 to 9.6 kW at 240 volts (5.4 to 7.4 kW at 208 volts) require a separate 40-amp circuit. Models rated at 4.8 kW and below at 240 volts (3.6 kW and below at 208 volts) require a separate 30-amp circuit.

- A circuit breaker is recommended.
- Connect directly to the fused disconnect (or circuit breaker box) through flexible, armored or nonmetallic sheathed, copper cable (with grounding wire). See "Make Electrical Connection" section.
- Flexible conduit from the oven should be connected directly to the junction box.
- Do not cut the conduit. The length of conduit provided is for serviceability of the oven.
- A UL listed or CSA approved conduit connector must be provided.
- If the house has aluminum wiring, follow the procedure below:

1. Connect a section of solid copper wire to the pigtail leads.
2. Connect the aluminum wiring to the added section of copper wire using special connectors and/or tools designed and UL listed for joining copper to aluminum.

Follow the electrical connector manufacturer's recommended procedure. Aluminum/copper connection must conform with local codes and industry accepted wiring practices.

For power requirements, refer to the following table.

Model	Voltage	Amperage (L1)*	Amperage (L2)*	Rating (W)
KOCE507E/KOCE500E	120/240	32	30	8000
KOCE507E/KOCE500E	120/208	30	28	6600

*Amperage values noted above are for information purposes only: the units are rated in watts.

Because Whirlpool Corporation includes a continuous commitment to improve our products, we reserve the right to change materials and specifications without notice.

Dimensions are for planning purposes only. For complete details, see Installation Instructions packed with product. Specifications subject to change without notice.

Ref. W10725663B
2/10/15

27" (68.6 cm) models

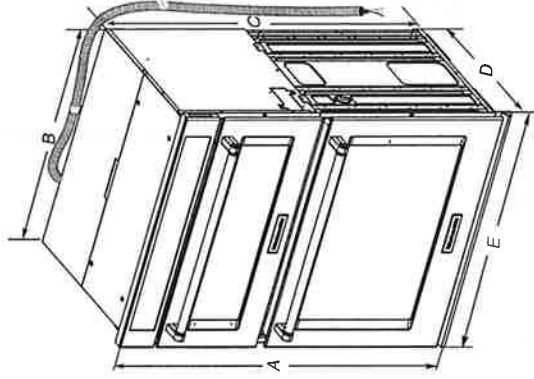
- A. 42⁹/₁₆" (108.0 cm) overall height
- B. 25⁷/₁₆" (64.6 cm) recessed width
- C. 41" (104.1 cm) recessed height
- D. 23¹/₄" (59.1 cm) max. recessed depth

- E. 27" (68.6 cm) overall width
- F. 48" (121.9 cm) flexible conduit length measured from the conduit clamp located at the rear of the oven. Do not remove the conduit clamp.

30" (76.2 cm) models

- A. 42⁹/₁₆" (108.0 cm) overall height
- B. 28⁷/₁₆" (72.3 cm) recessed width
- C. 41" (104.1 cm) recessed height
- D. 23¹/₄" (59.1 cm) max. recessed depth

- E. 30" (76.2 cm) overall width
- F. 48" (121.9 cm) flexible conduit length measured from the conduit clamp located at the rear of the oven. Do not remove the conduit clamp.

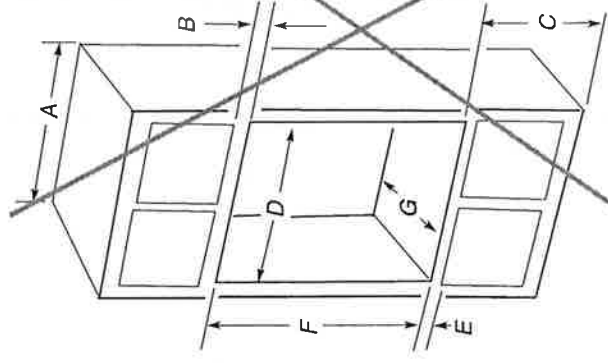


Cabinet Dimensions

- 27" (68.6 cm) models**
- A. 27" (68.6 cm) min. cabinet width
- B. 1" (2.5 cm) top of cutout to bottom of upper cabinet door
- C. 19¹/₂" (48.9 cm) bottom of cutout to floor is recommended.
- 4"-19¹/₂" (10.2-48.9 cm) bottom of cutout to floor is acceptable.
- D. 25¹/₂" (64.8 cm) cutout width
- E. 1¹/₂" (3.8 cm) min. bottom of cutout to top of cabinet door
- F. 41¹/₁₆" (105 cm)* recommended cutout height
- G. 24" (60.7 cm) cutout depth

30" (76.2 cm) models

- A. 30" (76.2 cm) min. cabinet width
- B. 1" (2.5 cm) top of cutout to bottom
- C. 19¹/₂" (48.9 cm) bottom of cutout to floor is recommended.
- 4"-19¹/₂" (10.2-48.9 cm) bottom of cutout to floor is acceptable.
- D. 28¹/₂" (72.4 cm) cutout width
- E. 1¹/₂" (3.8 cm) min. bottom of cutout
- F. 41¹/₁₆" (105 cm)* recommended cutout
- G. 24" (60.7 cm) cutout depth



* NOTE: The cabinet height can be between 41" (104.1 cm) and 41¹/₂" (105.6 cm) for microwave/oven combination.

FOLLOW NEXT PAGES FOR FLUSH OPENING DIMENSIONS

Lot 111

Dr. S.B.

INSTALLATION INSTRUCTIONS 27" (68.6 CM) AND 30" (76.2 CM) ELECTRIC MICROWAVE/OVEN COMBINATION FLUSH INSTALLATION KIT

INSTRUCTIONS D'INSTALLATION POUR TROUSSE D'INSTALLATION EN AFFLEUREMENT D'UN ENSEMBLE FOUR À MICRO-ONDES ÉLECTRIQUE/FOUR DE 27" (68,6 CM) ET 30" (76,2 CM)

Flush Installation Kit Part Number Ensemble d'installation en affleurement référence	Size and Color Dimensions et couleur	UL Listed for Model Numbers Homologation UL pour les modèles numéro
W10752695	27" (68.6 cm), black 27" (66,6 cm), noir	KOCE507EBL
W10752694	27" (68.6 cm), white 27" (68,6 cm), blanc	KOCE507EWH
W10752696	27" (68.6 cm), stainless steel 27" (68,6 cm), acier inoxydable	KOCE507ESS
W10752688	30" (76.2 cm), black 30" (76,2 cm), noir	KOCE500EBL
W10752691	30" (76.2 cm), black stainless 30" (76,2 cm), noir inoxydable	KOCE500EBS
W10752687	30" (76.2 cm), white 30" (76,2 cm), blanc	KOCE500EWH
W10752693	30" (76.2 cm), stainless steel 30" (76,2 cm), acier inoxydable	KOCE500ESS

Table of Contents/Table des matières

BUILT-IN OVEN SAFETY	9
INSTALLATION REQUIREMENTS	9
Tools and Parts.....	9
Location Requirements.....	9
INSTALLATION INSTRUCTIONS	11
Prepare Built-In Microwave/Oven Combination.....	11
Remove Oven Door.....	11
Replace Oven Door.....	11
Positioning Oven Feet.....	12
Replace Plastic Spacers.....	13
Install Oven.....	14
Install Deflector Bracket.....	14
Complete Installation.....	15
SÉCURITÉ DU FOUR ENCASTRÉ	9
EXIGENCES D'INSTALLATION	9
Outils et pièces.....	9
Exigences d'emplacement.....	9
INSTRUCTIONS D'INSTALLATION	11
Préparation de l'ensemble des fours encastrés (micro-ondes/four).....	11
Dépose de la porte(s) du four.....	11
Réinstallation de la porte(s) du four.....	12
Positionnement des pieds du four.....	13
Remplacement des cales d'espacement en plastique.....	14
Installation du four.....	14
Installation du support de la trousse du déflecteur.....	15
Achever l'installation.....	15

IMPORTANT:

Save for local electrical inspector's use.

IMPORTANT :

À conserver pour consultation par l'inspecteur local des installations électriques.

W10720346A

Lot 111

DR. 5/2

BUILT-IN OVEN SAFETY

Your safety and the safety of others are very important.

We have provided many important safety messages in this manual and on your appliance. Always read and obey all safety messages.



This is the safety alert symbol.

This symbol alerts you to potential hazards that can kill or hurt you and others.

All safety messages will follow the safety alert symbol and either the word "DANGER" or "WARNING." These words mean:

▲ DANGER

You can be killed or seriously injured if you don't immediately follow instructions.

▲ WARNING

You can be killed or seriously injured if you don't follow instructions.

All safety messages will tell you what the potential hazard is, tell you how to reduce the chance of injury, and tell you what can happen if the instructions are not followed.

INSTALLATION REQUIREMENTS

Tools and Parts

Gather the required tools and parts before starting installation. Read and follow the instructions provided with any tools listed here.

Tools Needed

- Phillips screwdriver
- Measuring tape
- Drill (for wall cabinet installations)
- 1/8" (3 mm) drill bit (for wall cabinet installations)
- Level
- Flat-blade screwdriver

Parts Needed

- (4) #8-14 x 1" screws
- (2) #8-18 x 3/8" screws - bottom vent included with built-in oven
- Bottom vent included with built-in oven

Parts Supplied

- Deflector bracket
- (2) Plastic spacers
- #8-18 x 1/4" screws - (2) for 27" (68.6 cm) models; (4) for 30" (76.2 cm) models - deflector bracket
- (4) #8-18 x 3/8" screws - oven feet
- (2) feet
- (2) front feet



Location Requirements

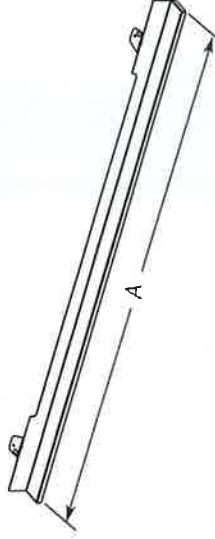
IMPORTANT: Observe all governing codes and ordinances.

NOTE: Refer to the following "Location Requirements" and the "Location Requirements" section of the Installation Instructions provided with your built-in oven.

- Cabinet opening dimensions that are shown must be used. Given dimensions provide minimum clearance for the oven.
- The recessed installation area must provide complete enclosure around the recessed portion of the oven.
- The oven support surface must be solid, level and flush with the bottom of the cabinet cutout.
- The floor must be able to support a total weight (microwave and built-in oven) of 208 lbs (95 kg) for 27" (68.6 cm) models or 249 lbs (113 kg) for 30" (76.2 cm) models.

IMPORTANT: To avoid damage to your cabinets, check with your builder or cabinet supplier to make sure that the materials used will not discolor, delaminate or sustain other damage. This oven has been designed in accordance with the requirements of UL and CSA International and complies with the maximum allowable wood cabinet temperatures of 194°F (90°C).

Deflector Bracket Dimensions



27" (68.6 cm) Models

A. 26 5/16" (66.4 cm) overall width

30" (76.2 cm) Models

A. 29 1/16" (76.0 cm) overall width

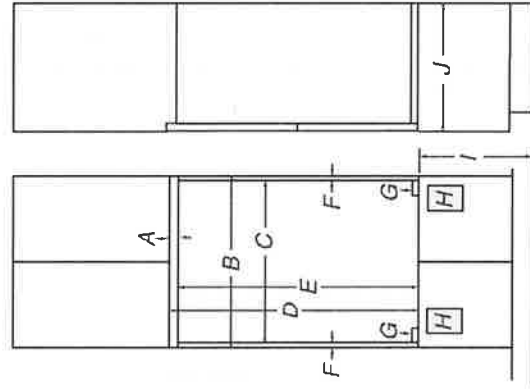
207111

DR. SB

Cabinet Dimensions - Flush Installations

A 25 $\frac{3}{8}$ " (64.4 cm) minimum cutout depth is required. These dimensions will result in a $\frac{1}{4}$ " (6 mm) reveal on the top, a $\frac{1}{4}$ " (6 mm) reveal on the sides, and a $\frac{1}{8}$ " (3 mm) reveal on the bottom of the wall oven.

The front face of the cleats and platform will be visible and should be treated as a finished surface.



Front View

Side View

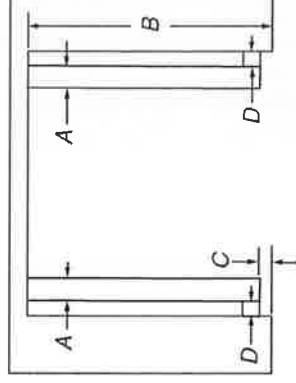
~~27" (68.6 cm) Models~~

- A. $\frac{5}{8}$ " (16 mm) top cleat*
- B. $30\frac{1}{2}$ " (76.2 cm) minimum width of flush inset cutout
- C. $25\frac{3}{8}$ " (65.7 cm) minimum width of opening
- D. $43\frac{1}{2}$ " (109.5 cm) minimum height of flush inset cutout
- E. $42\frac{1}{2}$ " (107.9 cm) recommended cutout height
- F. $1\frac{1}{8}$ " (17 mm) side cleat*
- G. $\frac{1}{2}$ " x 2" (13 mm x 5.1 cm) spacer the entire depth of the cutout*
- H. Recommended junction box location
- I. $4\frac{5}{8}$ " - $19\frac{1}{4}$ " (11.7 - 48.9 cm) bottom of cutout to floor
- J. $25\frac{3}{8}$ " (64.4 cm) minimum depth of cutout

~~30" (76.2 cm) Models~~

- A. $\frac{5}{8}$ " (16 mm) top cleat*
- B. $30\frac{1}{2}$ " (76.8 cm) minimum width of flush inset cutout
- C. $28\frac{3}{8}$ " (73.3 cm) minimum width of opening
- D. $43\frac{1}{8}$ " (109.5 cm) minimum height of flush inset cutout
- E. $42\frac{1}{2}$ " (107.9 cm) recommended cutout height
- F. $1\frac{1}{8}$ " (17 mm) side cleat*
- G. $\frac{1}{2}$ " x 2" (13 mm x 5.1 cm) spacer the entire depth of the cutout*
- H. Recommended junction box location
- I. $4\frac{5}{8}$ " - $19\frac{1}{4}$ " (11.7 - 48.9 cm) bottom of cutout to floor
- J. $25\frac{3}{8}$ " (64.4 cm) minimum depth of cutout

*Cleats and spacers must be recessed $1\frac{3}{8}$ " (3.5 cm) from the front of the cabinet.



Top View

~~27" (68.6 cm) Models~~

- A. $\frac{1}{2}$ " x 2" (13 mm x 5.1 cm) spacer the entire depth of the cutout*
- B. $25\frac{3}{8}$ " (64.4 cm) depth of cutout
- C. $1\frac{3}{8}$ " (3.5 cm) recess from front of cabinet
- D. $1\frac{1}{8}$ " (17 mm) side cleat*

~~30" (76.2 cm) Models~~

- A. $\frac{1}{2}$ " x 2" (13 mm x 5.1 cm) spacer the entire depth of the cutout*
- B. $25\frac{3}{8}$ " (64.4 cm) depth of cutout
- C. $1\frac{3}{8}$ " (3.5 cm) recess from front of cabinet
- D. $1\frac{1}{8}$ " (17 mm) side cleat*

*Cleats and spacers must be recessed $1\frac{3}{8}$ " (3.5 cm) from the front of the cabinet.

Lot 111

Q2. SOB

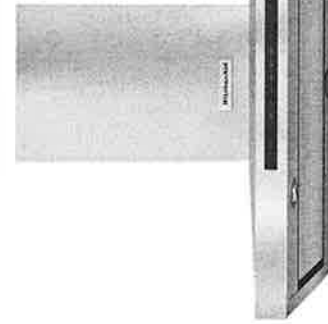
Prepared by

Ali Taher

ataher@appliancecanada.com (905) 660-2424 2352

Appliance Canada

For Your Home, For Your Life



KitchenAid® 36" Wall-Mount, 3-Speed Canopy Hood

KVWB606DSS

Available Finishes/Colours

KVWB606DSS
Stainless Steel



Dimensions

Depth	19 11/16
Height	24 5/8
Width	36

The power of this 36-inch vent hood effectively vents most cooking surfaces. One of the premium features of this vent hood is auto speed sensing that adjusts fan speed to help protect cabinets from potentially harmful steam, grease, and odors. The sharp, glass-touch display showcases easy-to-use touch controls.

Configuration and Overview

Hood Type	Wall Mount
Fan CFM	600
Venting Type	Exterior or Recirculating

Top Features

600 CFM/65K BTU Threshold

Perimeter Ventilation

Auto Speed Setting

Controls

Number of Speeds	3
Night Light	Halogen
Task Light	LED

Manuals & Literature:

Use and Care

Dimension Guide

Installation Instructions

Warranty

KitchenAid®

Because Whirlpool Corporation policy includes a continuous commitment to improve our products, we reserve the right to change materials and specifications without notice. Dimensions are for planning purposes only. For complete details, see Installation Instructions packed with product. Specifications subject to change without notice.

Lot 111

Dr. SOB

KitchenAid®

FOR THE WAY IT'S MADE.™

30" (72.6 cm) and 36" (91.4 cm) Wall-Mount Canopy Range Hood

PRODUCT MODEL NUMBERS

KVWB600D

KVWB606D

Electrical: A 120 volt, 60 Hz, AC only, 15-amp, fused electrical circuit is required.

VENTING METHODS

This canopy range hood is factory set for venting through the roof or through the wall.

A 6" (15.2 cm) round vent system is needed for installation (not included). The hood exhaust opening is 6" (15.2 cm) round.

NOTE: Flexible vent is not recommended. Flexible vent creates back pressure and air turbulence that greatly reduce performance.

Vent system can terminate either through the roof or wall. To vent through a wall, a 90° elbow is needed.

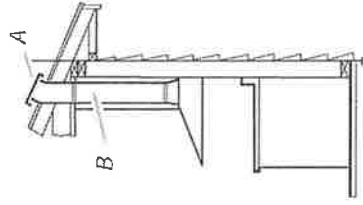
Rear Discharge

A 90° elbow may be installed immediately above the hood.

For Non-Vented (Recirculating) Installations

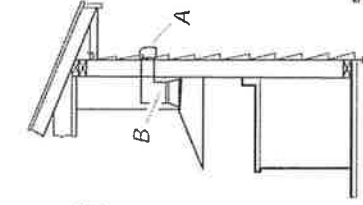
If it is not possible to vent cooking fumes and vapors to the outside, the hood can be used in the non-vented (recirculating) version, using a Recirculation Kit (which includes charcoal filters and a deflector). To order, see the "Assistance or Service" section.

Roof Venting



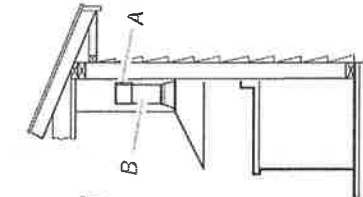
- A. Roof cap
- B. 6" (15.2 cm) round vent

Wall Venting



- A. Wall cap
- B. 6" (15.2 cm) round vent

Non-Vented (Recirculating)



- A. Diverter
- B. 6" (15.2 cm) round vent

Calculating Vent System Length

To calculate the length of the system you need, add the equivalent feet (meters) for each vent piece used in the system.

Vent System

Vent Piece
4.5° elbow



6" (15.2 cm) Round
2.5 ft
(0.8 m)

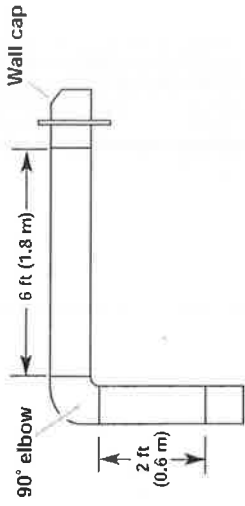
90° elbow



5.0 ft
(1.5 m)

Maximum equivalent vent length is 35 ft (10.7 m).

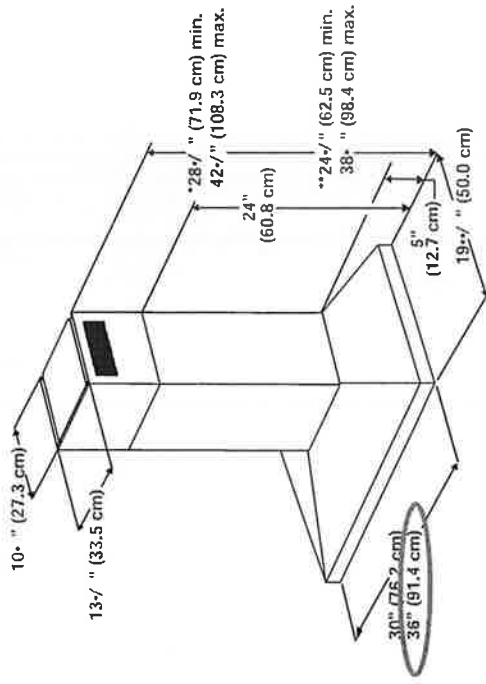
Example Vent System



The following example falls within the maximum recommended vent length of 35 ft (10.7 m).

- 1 - 90° elbow = 5.0 ft (1.5 m)
- 1 - wall cap = 0.0 ft (0.0 m)
- 8 ft (2.4 m) straight = 8.0 ft (2.4 m)
- Length of system = 13.0 ft (3.9 m)

PRODUCT DIMENSIONS



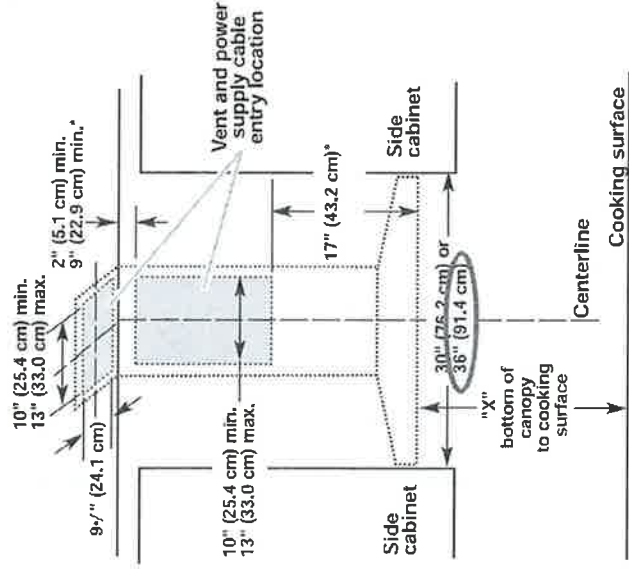
*For non-vented (recirculating) installations

**For vented installations

Lot 111

Dr. 903

CABINET DIMENSIONS



The chimneys can be adjusted for different ceiling heights. See the following chart.

Vented Installations		
	Min. ceiling height	Max. ceiling height
Electric cooking surface	7' 1" (2.16 m)	9' 2" (2.79 m)
Gas cooking surface	7' 4" (2.23 m)	9' 2" (2.79 m)
Non-vented (recirculating) Installations		
	Min. ceiling height	Max. ceiling height
Electric cooking surface	7' 1" (2.16 m)	9' 6" (2.9 m)
Gas cooking surface	7' 4" (2.23 m)	9' 6" (2.9 m)

***NOTE:** The range hood chimneys are adjustable and designed to meet varying ceiling or soffit heights depending on the distance "X" between the bottom of the range hood and the cooking surface. For higher ceilings, a Chimney Extension Kit is available from your dealer or an authorized parts distributor. The chimney extension replaces the chimney shipped with the range hood. To order, see the "Assistance or Service" section.

*For non-vented (recirculating) installations

IMPORTANT:

- Minimum distance "X": 24" (61.0 cm) from electric cooking surface.
- Minimum distance "X": 27" (68.6 cm) from gas cooking surfaces.
- Suggested maximum distance "X": 36" (91.4 cm)