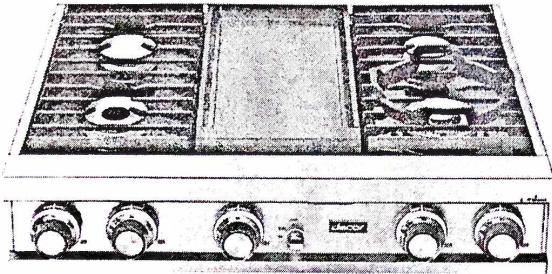


Lot 131

dacor

36-INCH GAS RANGETOP

✓ DTT36M974 | MODERNIST COLLECTION



AVAILABLE MODELS

- ~~DTT36M974IS~~ 36" Rangetop, Stainless Steel, Natural Gas ✓
- ~~DTT36M974PS~~ 36" Rangetop, Stainless Steel, Liquid Propane
- ~~DTT36M974HS~~ 36" Rangetop, Stainless Steel, Natural Gas, High Altitude
- ~~DTT36M974AS~~ 36" Rangetop, Stainless Steel, Liquid Propane/High Altitude
- ~~DTT36M974LM~~ 36" Rangetop, Graphite Stainless Steel, Natural Gas
- ~~DTT36M974PM~~ 36" Rangetop, Graphite Stainless Steel, Liquid Propane
- ~~DTT36M974HM~~ 36" Rangetop, Graphite Stainless Steel, Natural Gas/High Altitude
- ~~DTT36M974AM~~ 36" Rangetop, Graphite Stainless Steel, Liquid Propane/High Altitude

FEATURES & BENEFITS

- 4 Dual-Stack Sealed Burners + Electric Griddle.
- Powerful 22K BTU and true simmer burners.
- Continuous grates.
- Illumina™ Knobs and Ambient Light.
- Includes brass and black burner caps.
- Available in graphite stainless steel and silver stainless steel finish.

ACCESSORIES (INCLUDED)

- WOK RING
- BRASS BURNER CAPS
- BLACK BURNER CAPS

BURNER PERFORMANCE

TOTAL NUMBER OF COOKTOP BURNERS	4 (BRASS)
RIGHT FRONT (BTU)	22,000 DUAL (SIMMER)
RIGHT REAR (BTU)	9,000 STACK DUAL (SIMMER)
LEFT FRONT (BTU)	18,000 DUAL (SIMMER)
LEFT REAR (BTU)	16,000 DUAL (SIMMER)
SEALED BURNERS	YES

GRIDDLE PERFORMANCE

ELECTRIC	1,400W
----------	--------

CONTROL FEATURES

LED KNOB BACKLIGHTING	YES
LED AMBIENT LIGHTING	YES
LED CONTROL BUTTON	YES
WIFI CONNECT LED	YES
WIFI CONNECT BUTTON	YES
BLUETOOTH CONNECT LED	YES
BLUETOOTH CONNECT BUTTON	YES

ADDITIONAL FEATURES

RE-IGNITION	YES
OIL PAN	YES

INSTALLATION

GAS TYPE	NATURAL GAS/ LIQUID PROPANE
HIGH ALTITUDE AVAILABLE	YES
POWER CORD	YES

TECHNICAL DETAILS

CIRCUIT BREAKER (A)	15
VOLTS (V)	120
FREQUENCY (HZ)	60
ENERGY SOURCE	GAS AND ELECTRIC

DIMENSIONS & WEIGHT

APPLIANCE DIMENSIONS (H X W X D) (IN.)	8" X 36" X 24"
REQUIRED CUTOUT SIZE (W X H) (IN.)	7 3/4" X 36" X 24"

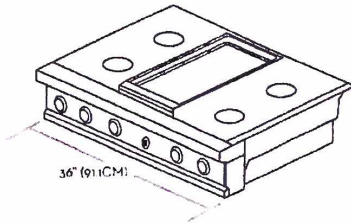
WARRANTY

LIMITED, PARTS AND LABOR	1 YEAR
--------------------------	--------

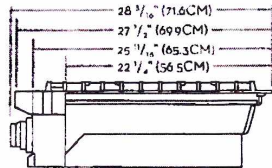
C.A.R.

dacor 36-INCH GAS RANGETOP

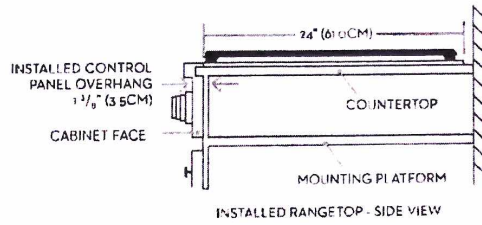
APPLIANCE DIMENSIONS



36" (91.4CM)



28 1/2" (71.6CM)
27 1/2" (69.9CM)
25 1/4" (65.3CM)
22 1/2" (56.5CM)



INSTALLED CONTROL PANEL OVERHANG
1 1/8" (3.5CM)
CABINET FACE

24" (61.0CM)

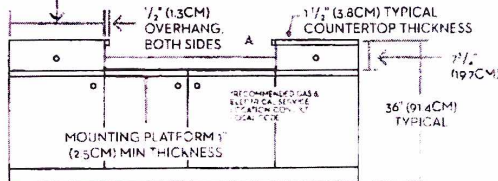
CO. INTERTOP

MOUNTING PLATFORM

INSTALLED RANGETOP - SIDE VIEW

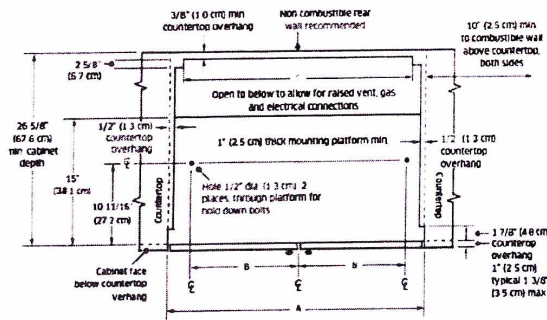
CABINET/COUNTERTOP DIMENSIONS

10" (25.4CM) TO COMBUSTIBLE SIDE WALL MIN BOTH SIDES



CABINET / COUNTERTOP DIMENSIONS - FRONT VIEW

*NOTE PRODUCT TOLERANCE +/- 1/16" (+/- 1.6MM)-0 UNLESS OTHERWISE NOTED

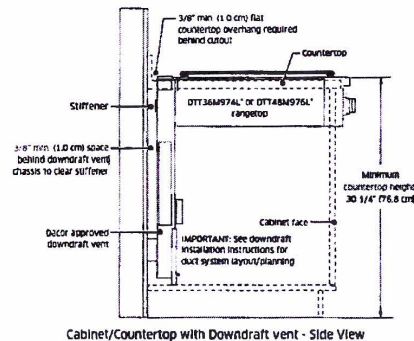


CABINET/COUNTERTOP CUTOUT DIMENSIONS WITHOUT DOWNDRAFT VENT - TOP VIEW

NOTE: Gas and electrical connections may only be routed through the bottom of the rangetop when installed with a downdraft vent.

D1731M974 | 36-INCH GAS RANGETOP

A - CUTOUT WIDTH	36" (91.4CM)
B - HOLE OFFSET	16 5/8" (42.2CM)
C - DOWNDRAFT VENT CUTOUT	33 1/2" (85.1CM)
APPROVED DOWNDRAFT VENT MODELS	MRV36, MRV36IS



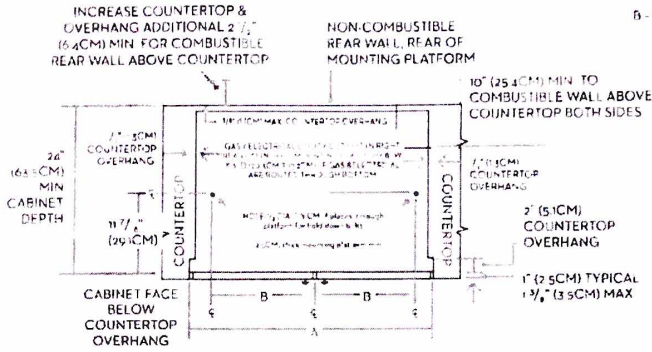
CABINET/COUNTERTOP CUTOUT DIMENSIONS WITH DOWNDRAFT VENT - SIDE VIEW

C.A.C.

Lot 131

dacor 36-INCH GAS RANGETOP

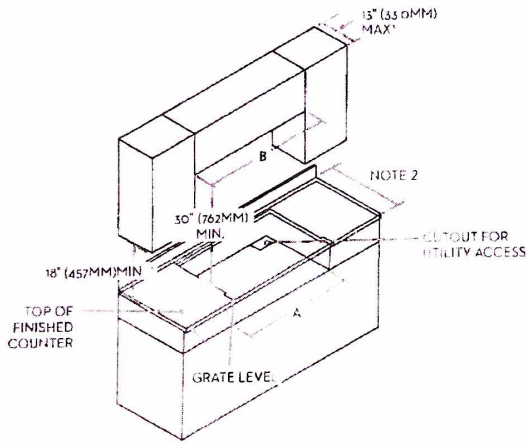
CABINET/COUNTERTOP CUTOUT DIMENSIONS



CABINET/COUNTERTOP CUTOUT DIMENSIONS WITHOUT DOWNDRAFT VENT - TOP VIEW

A - CUTOUT WIDTH	35" (91.4CM)
B - HOLE OFFSET	16 5/8" (42.2CM)

CLEARANCE DIMENSIONS



A - CUTOUT WIDTH	36" (91.4CM)
B	36" (91.4CM)* MINIMUM 42" (106.7CM)** RECOMMENDED

NOTE: All vertical clearances must be maintained for a minimum of 18 (457mm) above the cooking surface

DPT31-1974 | 36-INCH GAS RANGETOP

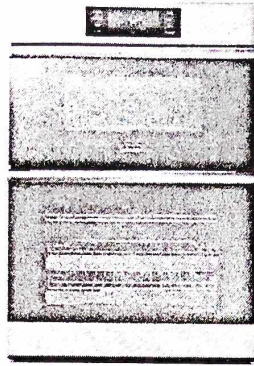
K.A.K.

Lot 131



30-INCH COMBI WALL OVEN

DOC30M977D | MODERNIST COLLECTION



AVAILABLE MODELS

- ~~DOC30M977DM~~ Graphite Stainless Steel
- DOC30M977DS Stainless Steel

- Available in graphite stainless steel and silver stainless steel
- Exclusive Four Part Dual Pure Convection Oven – heat, air, baffle and filter to precisely distribute heat for superior cooking results
- Steam and Convection Oven – the power of steam assist and convection cooking in one
- The convenience of Microwave Convection.
- Large oven capacity: Microwave 1.9 cu. ft. / Oven 4.8 cu. ft.
- BrightVue™ oven lighting (LED + Halogen Lights).
- RadiantVue™ microwave lighting (LED + Metal Mesh).
- 7" LCD control panel.
- Dacor iQ Kitchen app with integrated Wi-Fi to control and monitor remotely.
- Flush installation.

ACCESSORIES (INCLUDED)	
GLIDE RACKS	2
STANDARD RACKS	1
TEMPERATURE PROBE	1
AUTOMATIC WATER RESERVOIR	1
TURN TABLE (OPTITRAY™)	1
MICROWAVE WIRE RACK	1
EVENPLATE™	1

DOC30M977D | 30-INCH COMBI WALL OVEN

ACCESSORIES (OPTIONAL)

COOKIE SHEETS (SET OF 3)	SKU - ACSM303
--------------------------	---------------

GENERAL PROPERTIES - OVEN

COOKING MODES LOWER CAVITY	BAKE - BROIL - CONVECTION BAKE - CONVECTION ROAST - CONVECTION BROIL - FOUR PART PURE CONVECTION - PURE CONVECTION SEAR - STEAM BAKE - STEAM ROAST
-------------------------------	--

GENERAL PROPERTIES - MICROWAVE

COOKING MODES UPPER CAVITY	BROIL - CONVECTION SEAR (POWER CONVECTION) - SPEED CONVECTION SEAR - SPEED BROIL
-------------------------------	---

FEATURES

TYPE	COMBINATION MICROWAVE/ OVEN
SOFT CLOSE DOOR (OVEN)	SOFTSHUT™
LIGHTING	BRIGHTVUE™ AND RADIANTVUE™

ADDITIONAL FEATURES - OVEN

CLEANING TYPE	SELF CLEAN GREENCLEAN™
OVEN TYPE	COMBINATION
INSTALLATION	FLUSH
CONTROLS	7" LCD
WIFI	YES (REMOTE ENABLED)
CONVECTION TYPE	FOUR PART DUAL PURE CONVECTION WITH MESH FILTER
OVEN COLORS	SILVER STAINLESS STEEL GRAPHITE STAINLESS STEEL

OVEN PERFORMANCE

BAKE ELEMENT	3,000W - 8 PASS
BROIL ELEMENT	4,400W - 10 PASS
CONVECTION ELEMENT	1,300W (EACH - 2,600W TOTAL)
STEAM HEATER	500W

CONTROL FEATURES - OVEN

WIFI ON/OFF	YES
LANGUAGE OPTIONS	YES
CLOCK	YES (12 HR/24 HR)
DELAY START	YES
KITCHEN TIMER	YES
SABBATH MODE	YES
LAMP ON/OFF	YES
CHILD LOCK	YES
OPTIONS	YES
ENERGY SAVING	YES
DEMO MODE	YES

CONTROL FEATURES - MICROWAVE

CLOCK YES	(12 HR/24 HR)
KITCHEN TIMER	YES
LAMP ON/OFF	YES
CHILD LOCK	YES
SOUND	YES
WIFI	YES (MONITOR ONLY)

C.A.E.

Lot 131

dacor 30-INCH COMBI WALL OVEN

ADDITIONAL MODES	
KEEP WARM	YES
PROOF (LOWER TEMP)	YES
PROOF	YES
PIZZA STONE MODE	YES
DEHYDRATE	YES
GOURMET COOK	YES
INSTANTHEAT™	YES
TEMPERATURE PROBE	YES

TECHNICAL DETAILS	
CIRCUIT BREAKER (A)	40
VOLTS (V)	240 / 208
FREQUENCY (HZ)	60
ENERGY SOURCE	ELECTRIC

ADDITIONAL MODES	
ADD 30 SECONDS	YES
DEFROST	YES
AUTO COOK (NO SENSOR)	YES
SENSE COOK™ (SENSOR COOK)	YES
CONVECTION SEAR AUTO COOK	YES
HEALTHY FRY (SLIM FRY)	YES
HEALTHY CHOICE (FIT CHOICE)	YES

TECHNICAL DETAILS	
POWER LEVEL	950W

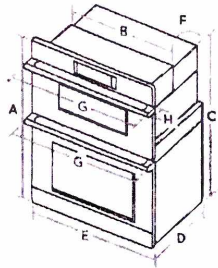
DIMENSIONS & WEIGHT	
APPLIANCE DIMENSIONS (H X W X D) (IN.)	43 3/8" X 29 3/4" X 23 1/8"
REQUIRED CUTOUT SIZE (H X W X D) (IN.)	43 11/16" X 30 1/4" X 24 7/8"
OVEN CAPACITY (CUBIC FEET)	4.8
MICROWAVE CAPACITY (CUBIC FEET)	1.9

WARRANTY	
LIMITED PARTS AND LABOR	1 YEAR

K.A.K.

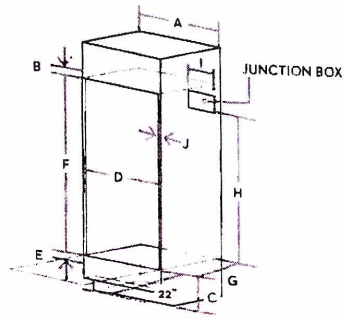
dacor 30-INCH COMBI WALL OVEN

APPLIANCE DIMENSIONS



A	43 3/8" (110.2CM)	OVERALL HEIGHT
B	28 1/2" (72.4CM)	RECESSED WIDTH
C	42" (106.7CM)	RECESSED HEIGHT
D	23 1/8" (58.7CM)	RECESSED DEPTH
F	29 3/4" (75.6CM)	DOOR WIDTH
F	67" (170CM)	CONDUIT LENGTH
G	30" (76.2CM)	OVERALL WIDTH (HANDLE WIDTH)
H	2 1/4" (5.6CM)	HANDLE DEPTH

INSTALLATION CUTOUT DIMENSIONS

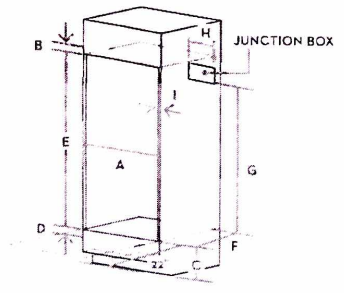


Allow a minimum of 22" for clearance to adjacent corners, drawers, walls, etc. when door is open.

INSTALLATION CUTOUT DIMENSIONS

A	30" (76.2CM)
B	MIN 1 3/16" (3.0CM)
C	12" (30.5CM)
D	MIN 28 5/8" / MAX 28 3/4" (MIN 72.7CM / MAX 73.0CM)
E	MIN 1" / MAX 1 1/4" (MIN 2.5CM / MAX 3.2CM)
F	42 1/4" (107.3CM)
G	MIN 23 1/2" (MIN 59.7CM)
H	MIN 30 1/2" (MIN 77.5CM)
I	MAX 9 1/2" (MAX 24.1CM) JUNCTION BOX
J	MIN 1 1/16" (1.75CM) - WOODEN CABINET THICKNESS

INSTALLATION CUTOUT DIMENSIONS



DCC59**V7D | 30-INCH COMBI WALL OVEN

INSTALLATION CUTOUT DIMENSIONS

A	MIN 30 5/16" / MAX 30 5/16" (MIN 76.7CM / MAX 77.0CM)
B	MIN 1 3/16" (3.0CM)
C	12" (30.5CM)
D	MIN 1" / MAX 1 1/4" (MIN 2.5CM / MAX 3.2CM)
E	43 11/16" (110.9CM)
F	MIN 24 13/16" (MIN 63.0CM)
G	MIN 30 1/2" (MIN 77.5CM)
H	MAX 9 1/2" (MAX 24.1CM) JUNCTION BOX
I	MIN 1 1/16" (1.75CM) - WOODEN CABINET THICKNESS

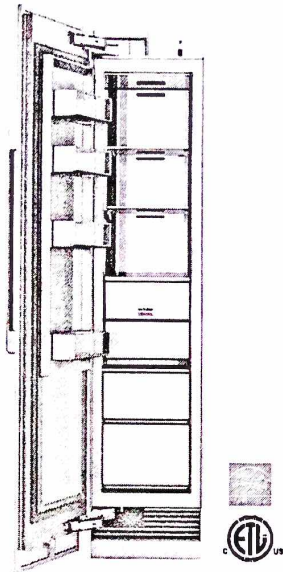
K.A.C.

Lot 131



**18-INCH FREEZER COLUMN,
LEFT-HINGE PANEL-READY**

DRZ18980LAP ✓



- Full height door with true flush cabinet integration without exposed venting grille
- SteelCool™ Stainless Steel Interior illuminated by 3DLighting™
- Push-To-Open™ Door Assist opens the door upon a slight push for a luxuriously convenient experience

TEMPERATURE RANGES

FREEZER	5°F (-15°C) TO 8°F (-23°C)
FREEZER - POWER FREEZE	-8°F (-23°C)

DIMENSIONS & WEIGHT

APPLIANCE DIMENSIONS (H X W X D) (IN)	83 3/8" X 17 5/8" X 25 13/16"
REQUIRED CUTOUT SIZE (H X W X D) (IN)	84" X 18" X 25"
NET WEIGHT (LBS)	289

DRZ18980LAP | 18-INCH FREEZER COLUMN, LEFT-HINGE, PANEL-READY

GENERAL PROPERTIES

PANEL READY	YES
DOOR SWING	LEFT
PUSH-TO-OPEN™ DOOR ASSIST	YES
ICEMAKER	STANDARD ICEMAKER
LIGHTING	3DLIGHTING™
INTERIOR MATERIAL	STEELCOOL™ STAINLESS STEEL INTERIOR
FULL WIDTH SHELVES	3 EA
SHELF MATERIAL	TEMPERED, METAL TRIM, SPILL-PROOF
FULL EXTENSION DRAWERS AT 90° DOOR OPENING ANGLE	YES
HIDDEN COMPARTMENT WITH FLIP-UP COVER	NO
FREEZER DRAWER	2 EA
DOOR BINS	4 EA
DOOR OPEN ALARM	YES
SPECIAL MODES	SABBATH MODE

CAPACITY

TOTAL UNIT GROSS CAPACITY (CU FT) - AHAM	95 CU. FT.
REFRIGERATOR GROSS CAPACITY (CU FT)	95 CU. FT.

PERFORMANCE

DEDICATED EVAPORATOR & COMPRESSOR SYSTEM	YES
POWER FREEZE	YES
DEFROST PROCESS	FROST-FREE
PRECISE COOLING	YES

EFFICIENCY

ENERGY STAR QUALIFIED	YES
ANNUAL ENERGY CONSUMPTION	465 KWH/YEAR

TECHNICAL DETAILS

CURRENT (A)	3
VOLTS (V)	115
FREQUENCY (HZ)	60
POWER CORD LENGTH (IN)	78 3/4"
PLUG TYPE	120 V, 3 PRONG

WARRANTY

LIMITED ENTIRE APPLIANCE, PARTS AND LABOR ON ANY PART OF THE REFRIGERATOR	2 YEAR
LIMITED WARRANTY FOR SEALED REFRIGERATION SYSTEM, PARTS AND LABOR	3RD TO 6TH YEAR
LIMITED WARRANTY FOR SEALED REFRIGERATION SYSTEM, PARTS ONLY	7TH TO 12TH YEAR
LIMITED WARRANTY FOR COMPRESSOR, PARTS ONLY	13TH TO 15TH YEAR

C.A.C.

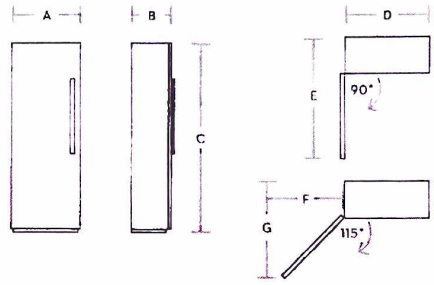
Lot 131



18-INCH FREEZER COLUMN, LEFT-HINGE PANEL-READY

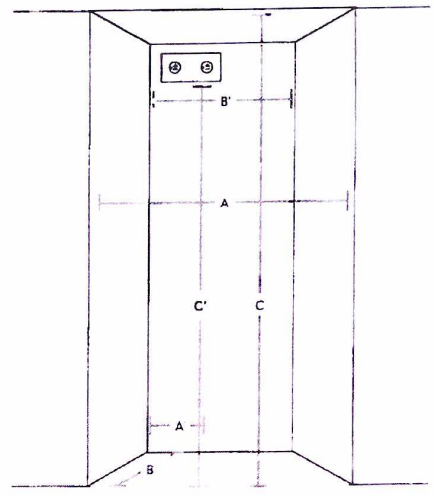
APPLIANCE DIMENSIONS

A (TOTAL WIDTH INCL. PANELS)	17 3/4" (451 MM)
B (TOTAL DEPTH WITH 3/4" PANEL)	25" (635 MM)
C (HEIGHT)	83 3/8" (2118 MM)
D	17 5/8" (447 MM)
E	44 3/4" (1156 MM)
F	11 13/16" (275 MM)
G	43 7/8" (1114 MM)



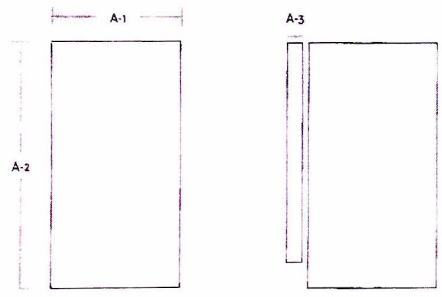
INSTALLATION CUTOUT DIMENSIONS

A (WIDTH)	18" (457MM)
B (DEPTH)	25" (635MM)
C (HEIGHT)	84" (2134MM)
A'	3" (76MM)
B'	5" (127MM)
C'	80" (2032MM)



CUSTOM PANEL DIMENSIONS

A-1 (WIDTH)	17 3/4" (603MM)
A-2 (HEIGHT)	79 7/8" (2029MM)
A-3 (DEPTH)	3/4" (19MM)
MAX WEIGHT	132.0 LBS (60KG)



ACCESSORIES

GRAPHITE STAINLESS STEEL - 18" PANEL (LEFT HINGE)	RAC18DPLHMS
GRAPHITE STAINLESS STEEL - 18" KICK PLATE	RAC18TKBMS
GRAPHITE STAINLESS STEEL - MODERNIST HANDLE	RAC00MHAAMS
SILVER STAINLESS STEEL - 18" PANEL (LEFT HINGE)	RAC18DPLHSR
SILVER STAINLESS STEEL - 18" KICK PLATE	RAC18TKBBSR
SILVER STAINLESS STEEL - MODERNIST HANDLE	RAC00MHAASR
SILVER STAINLESS STEEL - DACOR PRO HANDLE	RAC00PHAASR
PAIR INSTALLATION KIT	RAC00CPAAAA
WATER FILTER	RAC00WFAAAA
DEODORIZING FILTER	RAC00DFAAAA

DACOR18DPLHMS 18-INCH FREEZER COLUMN, LEFT-HINGE, PANEL-READY

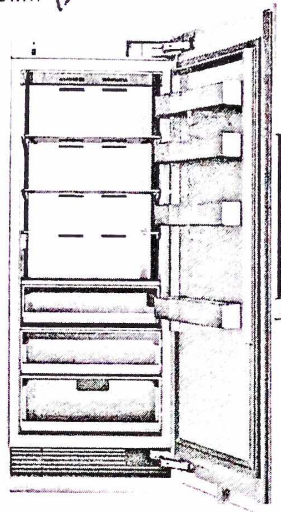
K.A.K.

Lot 131



30-INCH REFRIGERATOR COLUMN, RIGHT-HINGE PANEL-READY

DRR3098ORAP ✓



- Full height door with true flush cabinet integration without exposed venting grille
- SteelCool™ Stainless Steel Interior illuminated by 3DLighting™
- Push-To-Open™ Door Assist opens the door upon a slight push for a luxuriously convenient experience
- Internal Water Dispenser for easy access to clean, filtered water
- iQ RemoteView™ Cameras (Wi-Fi) enables users to check what's in your fridge from your phone

TEMPERATURE RANGES

REFRIGERATOR	34°F (1°C) TO 44°F (7°C)
REFRIGERATOR - POWER COOL	34°F (1°C)
FRESHZONE™ DRAWER	37°F (3°C) / 33°F (1°C) / 29°F (1°C)

DIMENSIONS & WEIGHT

APPLIANCE DIMENSIONS (H X W X D) (IN.)	83 3/8" X 29 5/8" X 23 13/16"
REQUIRED CUTOUT SIZE (H X W X D) (IN.)	84" X 30" X 25"
NET WEIGHT (LBS)	472

DRR3098_RAP - 30 INCH REFRIGERATOR COLUMN, RIGHT-HINGE - PANEL-READY

GENERAL PROPERTIES

PANEL READY	YES
DOOR SWING	RIGHT
PUSH-TO-OPEN™ DOOR ASSIST	YES
INTERNAL WATER DISPENSER	YES
iQ REMOTEVIEW™ CAMERA	YES (2 EA)
DEODORIZING FILTER	YES
LIGHTING	3DLIGHTING™
INTERIOR MATERIAL	STEELCOOL™ STAINLESS STEEL INTERIOR
FULL WIDTH SHELVES	4 EA
SHELF MATERIAL	TEMPERED METAL TRIM, SPILL-PROOF
FULL EXTENSION DRAWERS AT 90° DOOR OPENING ANGLE	YES
FRESHZONE™ DRAWER	YES - CHEESE (37°F) / COLD DRINKS (33°F) / MEAT (29°F)
CRISPER DRAWERS	2 EA
DOOR BINS	4 EA
DOOR OPEN ALARM	YES
SPECIAL MODES	SABBATH MODE

CAPACITY

TOTAL UNIT GROSS CAPACITY (CU.FT.) - AHAM	178 CU. FT.
REFRIGERATOR GROSS CAPACITY (CU.FT.)	178 CU. FT.

PERFORMANCE

DEDICATED EVAPORATOR & COMPRESSOR SYSTEM	YES
POWER COOL	YES
PRECISE COOLING	YES

EFFICIENCY

ENERGY STAR QUALIFIED	YES
ANNUAL ENERGY CONSUMPTION	280 KWH/YEAR

TECHNICAL DETAILS

CURRENT (A)	3
VOLTS (V)	115
FREQUENCY (HZ)	60
POWER CORD LENGTH (IN.)	78 3/4"
PLUG TYPE	120 V 3 PRONG

WARRANTY

LIMITED, ENTIRE APPLIANCE, PARTS AND LABOR ON ANY PART OF THE REFRIGERATOR	2 YEAR
LIMITED WARRANTY FOR SEALED REFRIGERATION SYSTEM PARTS AND LABOR	3RD TO 6TH YEAR
LIMITED WARRANTY FOR SEALED REFRIGERATION SYSTEM PARTS ONLY	7TH TO 12TH YEAR
LIMITED WARRANTY FOR COMPRESSOR PARTS ONLY	13TH TO 15TH YEAR

K.A.K.

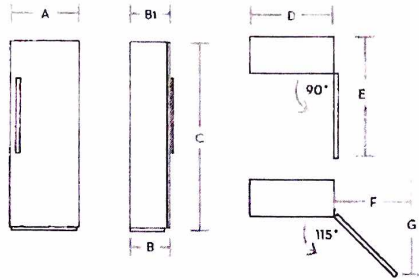
Lot 131



30-INCH REFRIGERATOR COLUMN, RIGHT-HINGE PANEL-READY

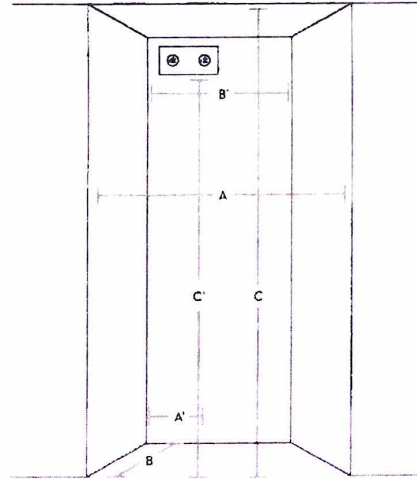
APPLIANCE DIMENSIONS

A (TOTAL WIDTH INCL. PANELS)	29 3/4" (756 MM)
B (TOTAL DEPTH WITH 3/4" PANEL)	25" (635 MM)
C (HEIGHT)	83 3/8" (2118 MM)
D	29 5/8" (752 MM)
F	56 11/16" (1440 MM)
F	16 9/16" (421 MM)
G	55 5/16" (1404 MM)



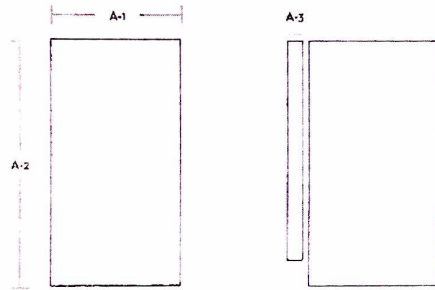
INSTALLATION CUTOUT DIMENSIONS

A (WIDTH)	30" (762MM)
B (DEPTH)	25" (635MM)
C (HEIGHT)	84" (2134MM)
A'	6" (152MM)
B'	20" (508MM)
C'	80" (2032MM)



CUSTOM PANEL DIMENSIONS

A-1 (WIDTH)	29 3/4" (756MM)
A-2 (HEIGHT)	79 7/8" (2029MM)
A-3 (DEPTH)	3/4" (19MM)
MAX WEIGHT	88.0 LBS. (40KG)



ACCESSORIES

- GRAPHITE STAINLESS STEEL - 30" PANEL (RIGHT HINGE)
- GRAPHITE STAINLESS STEEL - 30" KICK PLATE
- GRAPHITE STAINLESS STEEL - MODERNIST HANDLE
- SILVER STAINLESS STEEL - 30" PANEL (RIGHT HINGE)
- SILVER STAINLESS STEEL - 30" KICK PLATE
- SILVER STAINLESS STEEL - MODERNIST HANDLE
- SILVER STAINLESS STEEL - DACOR PRO HANDLE
- PAIR INSTALLATION KIT
- WATER FILTER
- DEODORIZING FILTER

- RAC30DPRHMS
- RAC30TKBBMS
- RAC00MHAAMS
- RAC30DPRHSR
- RAC30TKBBSR
- RAC00MHAASR
- RAC00PHAASR
- RAC00CPAAAA
- RAC00WFAAAA
- RAC00DFAAAA

04R8095 - RAC - 30-INCH REFRIGERATOR COLUMN, RIGHT HINGE - PANEL READY

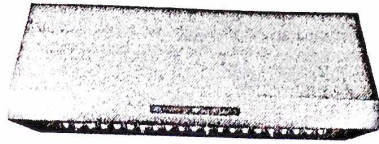
C.A.T.

Lot 131

dacor

36-INCH WALL HOOD

DHD36M987W ✓ MODERNIST COLLECTION



AVAILABLE MODELS

- DHD36M987WS 36" Wall Hood, Stainless Steel ✓
- DHD36M987WM 36" Wall Hood, Graphite Stainless Steel ✓

Product description and features summary.

- Seamless canopy design enhances kitchen by minimizing unfinished edges.
- Elegant control panel for easy control of lights, fan speed and timer.
- Four speed fan provides great performance while minimizing noise.
- Auto Connect turns on fan when cooktop is started.
- Auto ON turns hood on automatically if high temperatures are sensed.
- LED lighting provides energy efficiency and a bright cooking area.
- Dishwasher friendly baffles for easy clean-up.

CONTROL FEATURES

FAN SPEEDS	4 (3 STEP + BOOSTER)
CONTROL TYPE	TOUCH
AUTO SENSING	YES (HEAT SENSOR)
LOCATION	FRONT - CENTER
WIFI AUTO CONNECT BUTTON	YES
BLUETOOTH CONNECT BUTTON	YES

ADDITIONAL FEATURES

FILTER TYPE	BAFFLE
REMOVABLE FILTER	YES
LIGHTING	3 LED BULBS - 4 INTENSITIES

PERFORMANCE

CFM	600
-----	-----

CONNECTIVITY FEATURES

MONITORING	YES
FAN SPEED	YES
LIGHTING ON/OFF	YES
POWER CONTROL	YES

TECHNICAL DETAILS

CIRCUIT BREAKER (A)	15
VOLTS (V)	120
FREQUENCY (HZ)	60
ENERGY SOURCE	ELECTRIC

DIMENSIONS & WEIGHT

APPLIANCE DIMENSIONS (H X W X D) (IN.)	18" X 35 7/8" X 24"
UPPER CABINET CUTOUT (W) (IN.)	36"
WEIGHT	57 LBS (26KG)

WARRANTY

LIMITED PARTS AND LABOR	1 YEAR
-------------------------	--------

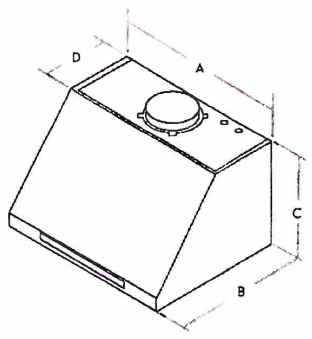
C.A.K.

Lot 131

dacor 36-INCH WALL HOOD

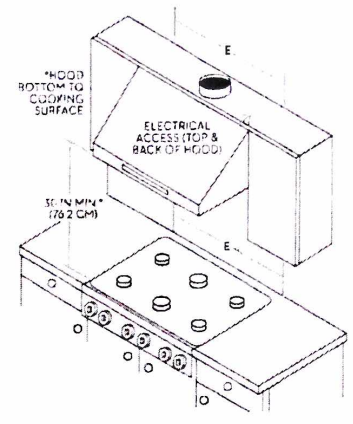
APPLIANCE DIMENSIONS

A	B	C	D
35 7/8" (91.1CM)	24" (61CM)	18" (45.7CM)	12" (30.5CM)



CABINET LAYOUT DIMENSIONS

E
36" (91.5CM)



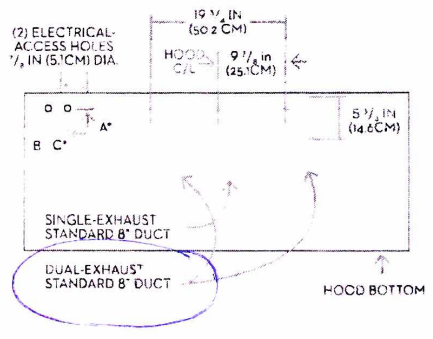
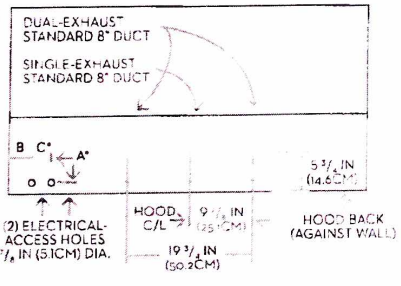
TOP ELECTRICAL ACCESS DIMENSIONS

A	B	C
1 1/2" (3.81CM)	4 1/2" (11.43CM)	3" (7.62CM)

REAR ELECTRICAL ACCESS DIMENSIONS

A	B	C
1" (2.54CM)	4 1/2" (11.43CM)	3" (7.62CM)

* SEE TABLE



C.A.K.