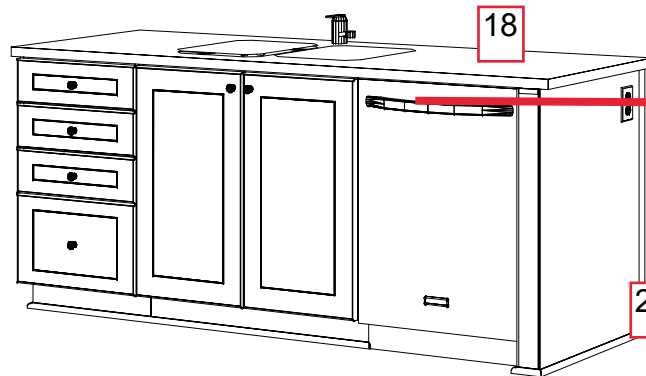
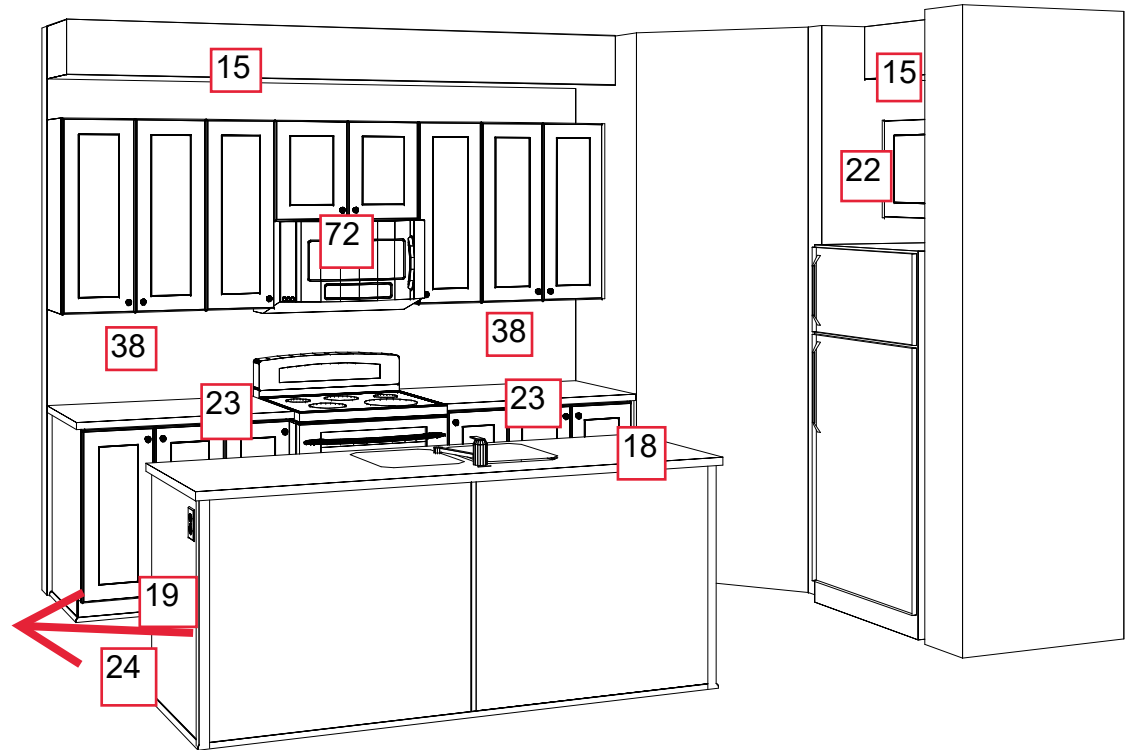
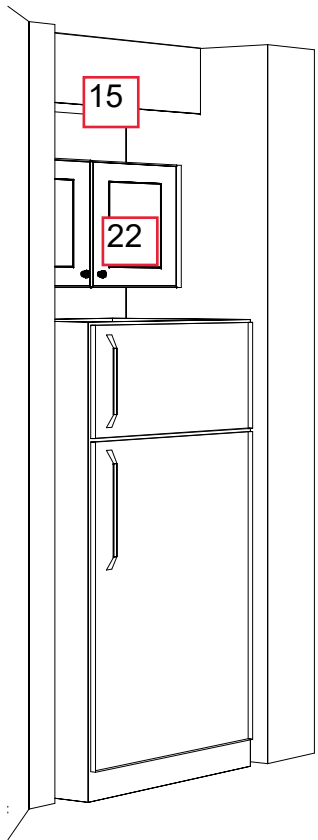


****DIMENSIONS MAY VARY DEPENDING ON SITE MEASURES/CONDITIONS****

Item #13 - Optional Kitchen Layout 1
(Level 2 Cabinetry)



Item #19 -
Island 3'
extension