



Additional Upgrade

PURCHASER'S EXTRAS QUOTATION

Castlemore Crossing - Phase 8

PURCHASERS: SHAH, ROSHAN, PRABHAKA and SHAH, SHITAL, ROSHAN

TEL:

LOT NUMBER 5	PHASE 8	HOUSE TYPE SILVER POPLAR (40-02A) - ELEV A
-----------------	------------	---

ITEM	EXTRA / CHANGE	QTY	UNIT PRICE	EXTENDED
1 225826	KITCHEN - Install Dedicated Electrical Rough-in for Future Chimney Hood Fan (See Sketch) <i>Priced as per Campoli Electric</i>	1		
2 225827	KITCHEN - In addition to builders standard ceiling light, Install ONE (x1) ADDITIONAL CEILING LIGHT Complete with One (x1) Seperate Switch. To be installed centred above kitchen island (See Sketch) <i>Approved by Fonzie C.</i>	1		
3 225828	PURCHASER AWARE AND ACCEPTS THAT ANY CHANGES MADE TO UPGRADES AFTER SIGNING THIS PURCHASERS EXTRA FORM ARE SUBJECT TO A MINIMUM ADMINISTRATION FEE OF \$1,000	1		



Sub Total
HST
Total

- In the event the work on the house has progressed beyond the point where the items covered by this extra cannot be installed without entailing any unusual expense, then this order is to be cancelled and any deposit paid in connection with the same is to be refunded to the Purchaser.
- The Vendor will undertake to incorporate the work covered by the sales extra in the construction of the house but will not be liable to the purchaser in any way, if for any reason the work covered by the extra is not carried out. In that event, any monies paid in connection with the same shall be returned to the Purchaser.
- It is understood and agreed that if for any reason whatsoever the transaction of Purchase and Sale is not completed, the total cost of extras ordered are not refundable to the Purchaser(s).
- Extras or changes will not be processed unless signed by the Vendor.
- These extras may not be amended without the written consent of FORESTSIDE ESTATES INC..
- The Purchaser(s) and the Vendor acknowledge and agree that this form shall not be deemed to be part of the Agreement of Purchase and Sale entered into between them, nor an addendum thereto.
- No Estimates or orders will be accepted once construction has commenced.
- Prices are estimates only and guaranteed for a period of 5 days only.
- Any cancellations to this order, providing they can be cancelled, are subject to a \$500 minimum administration charge and a 10% cancellation charge for the total amount being cancelled.
- For Visa, Mastercard and Debit payments, transactions are identified on you statement as "SHERWAY CONSTRUCTION LTD", an Authorized Visa /Mastercard/Debit Merchant and authorized Royal Pine Homes company.

Payment Summary	
<u>Paid By</u>	<u>Amount</u>
Amendment	
<b>Total Payment:</b>	

Bonus Summary		
Bonus Package offering (includes taxes) from Royal Pine Homes Décor Centre is being applied to this order.		
Any remaining balance(s) will be applied accordingly to extras purchased.		
Bonus Package Offering		
<u>Invoice Number</u>	<u>Date</u>	<u>Amount</u>
8481	29-May-23	
8517	5-Oct-23	
8624	18-Jan-24	
<b>Total Bonus Used:</b>		
<b>Remaining Balance:</b>		

Initials: DS  
SRP DS  
SSR

TAX#:86425 2416 RT0001

PREPARED BY: Melissa Di Marino  
 PRINTED: 31-Jan-24 at 12:37 pm  
 RoyInvoiceSQL.rpt 07aug20

CONSTRUCTION SCHEDULING APPROVAL	
PER:	_____
DATE:	_____

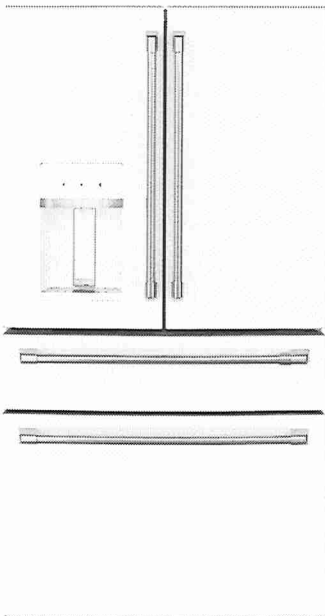


# Café™ ENERGY STAR® 22.3 Cu. Ft. Smart Counter-Depth 4-Door French-Door Refrigerator

CXE22DP4PW2 / CXE22DP2PS1 / CXE22DP3PD1

# CAFÉ

DISTINCT BY DESIGN™



CXE22DP4PW2  
Matte White with  
Brushed Bronze handles



## FEATURES & BENEFITS

Enjoy the flexibility of a **Convertible Drawer with Soft Freeze** with settings as low as 23 degrees or as high as 42 degrees, and keep items organized with sliding glass dividers

Relish the bright, uniform light of an **LED light wall** that spans the back wall of the refrigerator, illuminating the fresh food section so every item is easy to find

Effortlessly fill containers with filtered water by simply pressing the **AutoFill** button which uses sensors to dispense the perfect amount every time

A **Humidity Control System** provides an environment for leafy green vegetables to last 2-1/2 times longer than standard vegetable drawers. (\*Based on internal testing vs. similar size vegetable drawers with humidity controls from a leading competitor.)

Easily pull out a slim, **full-width tray** to accommodate gourmet pizzas and other frozen, uniquely shaped items

Receive alerts on your smart device whenever your refrigerator's internal temperature dips below normal, thanks to **built-in WiFi connectivity** that helps you keep foods party-platter ready

From produce to packaged goods, keep any food fresh with **TwinChill™ evaporators** that create separate climates in the fresh food and freezer sections

Spend more time filling and less time fumbling thanks to the **Integrated Dispenser Design**, which senses your proximity and automatically illuminates, so you never have to compromise on function and fashion

## APPEARANCE

Exterior design	Contoured doors
Handle	Café™
Handle design	Café Pro
Hidden door hinge(s)	Yes

ALSO  
AVAILABLE IN



CXE22DP2PS1  
Stainless Steel  
with Brushed  
Stainless handles



CXE22DP3PD1  
Matte Black  
with Brushed  
Stainless handles

## FEATURES

Configuration	French-door & Double drawer
WiFi connect	Built-in
Connected capabilities	Amazon Alexa; The Google Assistant; IFTTT; Sonos
Temperature management features	Multiflow air system
Temperature management system	TwinChill™ evaporators
Defrost type	Frost Guard
Control type	Electronic temperature controls
Dispenser	Large stainless steel; Cubes, crushed ice and chilled water
Dispenser features	Hands-free AutoFill; Door alarm; Proximity activated LED dispenser light; Water filter indicator light
Icemaker	Space saving ice
Water filtration	GE water filtration 6 month; XWFE; Water filter indicator light
Filter location	Left wall
Fresh food cabinet drawers	2 total; 2 adjustable humidity drawers
Fresh food cabinet shelves	4 glass split; 1 Quick Space shelf
Fresh food door bins	6 total; 2 with gallon storage; 2 adjustable
Fresh food door features	Dairy compartment
Freezer door bins	1 adjustable tilt out
Freezer storage baskets	1 Tilt-out door bin; 3 baskets (1 large bulk, 1 flat bread, 1 quick reach)
Freezer features	Interior lighting - LED; Freezer drawer with full-extension slides
Exterior style	Counter-Depth
Leveling system	2 point front adjustable
Performance features	Easily removable door gaskets; Sabbath Mode capable; deluxe quiet design; dual evaporator cooling
Center drawer features	Convertible drawer; 5 temperature settings (Soft Freeze, Meats, Beverages, Snacks, Wine, Lock); 2 Tuck Away glass bin dividers; Full-extension slides

## CAPACITY

Total capacity (cubic feet)	22.3 cu. ft.
Fresh food capacity	12.68 cu. ft.
Freezer capacity	6.73 cu. ft.
Convertible drawer capacity	2.92 cu. ft.

## WEIGHTS & DIMENSIONS

Overall depth	31-1/4 in.
Overall height	69-7/8 in.
Overall width	35-5/8 in.
Case depth without door	24 in.
Depth with door open 90°	43 in.
Depth without handle	28-7/8 in.
Height to top of hinge	69-3/4 in.
Height to top of case	68-5/8 in.
Width w/door open 90 degrees incl. handle	44-7/8 in.
Back air clearances	2 in.
Side air clearances	1/8 in.
Top air clearances	1 in.
Approximate shipping weight	395 lb.
Net weight	360 lb.

Lot 5

Forestside (Pns)

# Café™ ENERGY STAR® 22.3 Cu. Ft. Smart Counter-Depth 4-Door French-Door Refrigerator

CXE22DP4PW2 / CXE22DP2PS1 / CXE22DP3PD1

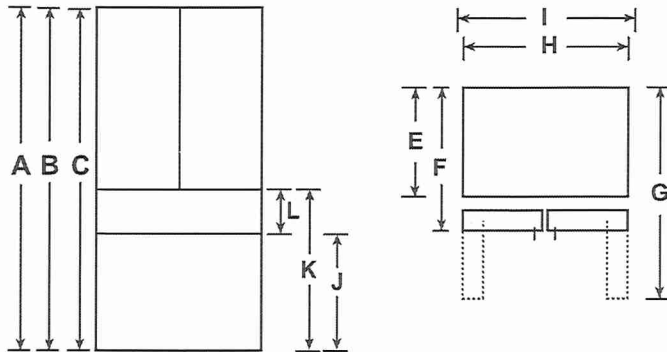
# CAFÉ

DISTINCT BY DESIGN™

## WARRANTY

Parts warranty	Limited 1-year entire appliance; Limited 5-year sealed refrigerating system
Labor warranty	Limited 1-year entire appliance; Limited 5-year sealed refrigerating system
Warranty notes	See written warranty for full details

## DIMENSIONS



Overall Dimensions	Dimension	Value (in)
A	Overall Height to top of door	69 7/8
B	Height to top of hinge cover	69 3/4
C	Height to top of case	68 5/8
D	Hinge Cover Depth from Case Flange	6
E	Case Depth without door	24
F	Case Depth without Door Handle	28 7/8
G	Depth with Door open 90 deg	43
H	Case Width	35 5/8
I	Width with door open 90 deg including handle	44 7/8
J	Top endcap of FZ drawer to floor	24 1/2
K	Top endcap of Middle drawer to floor	33 1/2
L	End cap to End cap height of middle drawer	8 5/8

## ADDITIONAL ACCESSORIES



CXQB4H4PNBZ  
Brushed Bronze  
4 handles  
(Standard on Matte White)



CXQB4H4PNSS  
Brushed Stainless  
4 handles  
(Standard on Matte Black and Stainless Steel)



CXQB4H4PNBT  
Brushed Black  
4 handles



CXQB4H4PNCU  
Brushed Copper  
4 handles



CXQB4H4PNCG  
Brushed Brass  
4 handles



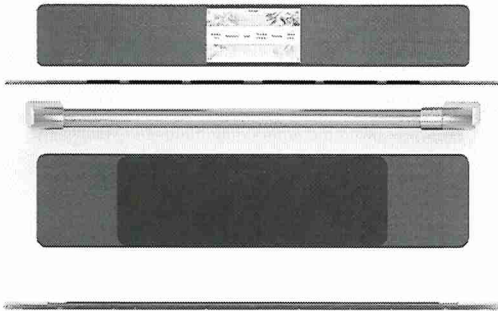
CXQB4H4PNFB  
Flat Black  
4 handles

Lot 5  
Forestside (Ph8)

Café™ 30" Five in One Oven  
with 120V Advantium® Technology  
CSB913P4NW2 / CSB913P2NS1 / CSB913P3ND1

CAFÉ

DISTINCT BY DESIGN™



ALSO  
AVAILABLE IN



CSB913P2NS1  
Stainless Steel  
with Brushed  
Stainless handle



CSB913P3ND1  
Matte Black with  
Brushed Stainless  
handle

FEATURES & BENEFITS

Unmatched versatility to unleash your imagination - Enjoy a whole new level of cooking flexibility with a single oven that can be used in five different ways. Use it as a Convection Oven, Microwave, Toaster Oven, Warming/Proofing Oven, and Precision Cook Oven with Advantium Technology

Cook smarter, not longer - Achieve oven-quality results in a fraction of the time as halogen light, microwave energy and True European Convection work together to provide the exact amount and type of heat your food needs, precisely when it needs it

Brighten up life in the kitchen - Easily navigate wall oven settings using a stunning full color display that adds an unexpected touch of style to your kitchen

Say goodbye to rubbery leftovers - Achieve crispy results at microwave speed with more than 20 reheat programs that make leftovers taste like new

The perfect marriage of quality and speed - Eliminate the need for preheating and cook your favorite foods two- to four-times faster than a conventional oven

Healthy meals without the fuss - Fresh vegetables and rice are perfectly prepared with a steam cook option that simplifies the entire process

Create a look that matches your personal style - Select any combination of premium finishes and hardware options to create a stunning look customized to any owner's taste

Clean-up has never been easier - Keep your oven looking like new at all times with steam clean

The perfect fit you've always dreamed of - When you're updating your kitchen, attention to detail is a priority. That's why Café Advantium wall ovens are guaranteed for an exact fit for an easy and seamless replacement.

APPEARANCE

Color Appearance	Matte White
Handle	Café Pro Style

FEATURES

Cooking Modes	Precision Cook; Crisp Reheat; Convection; Microwave; Proof; Warm
Style	Built-In
Control Type	7" Full Color LCD Touch Control
Interior Oven Light	Yes
Oven Interior	Stainless Steel
Microwave Watts (IEC-705)	950
Turntable Size	16 in
Control Features	Add 30 Sec; Over 175 Programmed Menu Selections
Cooking Technology	5 in 1 Oven with 120V Advantium
Oven Rack Features	Pedestal Rack

CAPACITY

Total Capacity (cubic feet)	1.7
-----------------------------	-----

POWER / RATINGS

Electrical Input - 120V Amperage	15
Electrical Input - 120V Watts	1800
Volts/Hertz	120V; 60Hz
Broiler Wattage	1200W

WEIGHTS & DIMENSIONS

Approximate Shipping Weight	101 lb
Cavity (W x H x D)	20-1/16 x 8-1/2 x 17 in
Height (Front)	20-1/8 in
Net Weight	79 lb
Overall Height	20-1/8 in
Overall Width	29-3/4 in
Overall Depth (includes control panel thickness)	22-3/4 in
Cabinet Width	30 in

ACCESSORIES

Metal Oven Pan	Yes - Precision Cooking Tray
----------------	------------------------------

Lot 5  
Forestside (Ph8)

Café™ 30" Five in One Oven  
with 120V Advantium® Technology  
CSB913P4NW2 / CSB913P2NS1 / CSB913P3ND1



DISTINCT BY DESIGN™

WARRANTY

Parts warranty	Limited 1-year entire appliance
Labor warranty	Limited 5-year magnetron tube
Warranty notes	Limited 1-year entire appliance
	See written warranty for full details

DIMENSIONS AND INSTALLATION INFORMATION

**Note:** Cabinets installed adjacent to wall ovens must have an adhesion spec of at least a 194°F temperature rating.

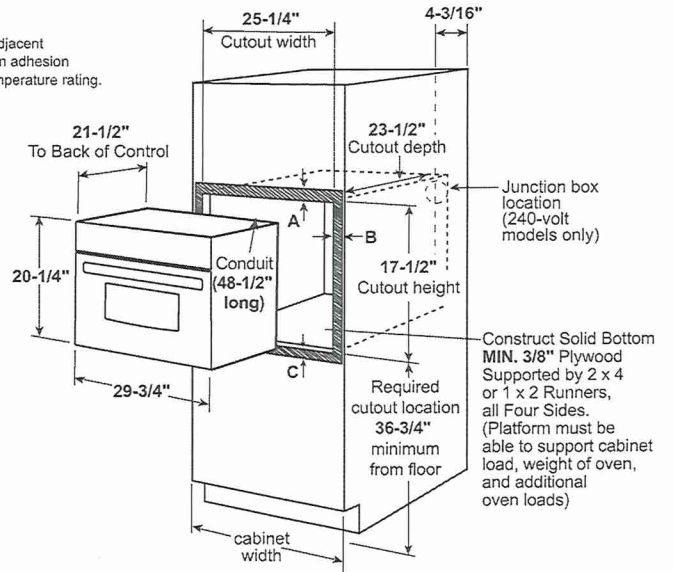
**Note:** 2" minimum between cutouts when installed above warming drawer or single wall oven.

**Installation information:** Before installing, consult installation instructions packed with product for current dimensional data.

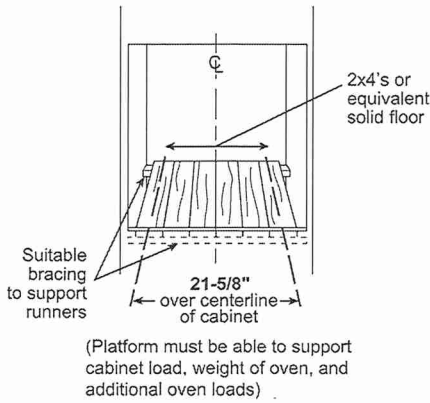
**Note:** Advantium 240 volt models cannot be installed under 36 inches height.

**Note:** Use of the accessory drawer will replace the bottom trim piece for applicable installations. Please see installation instructions for full details.

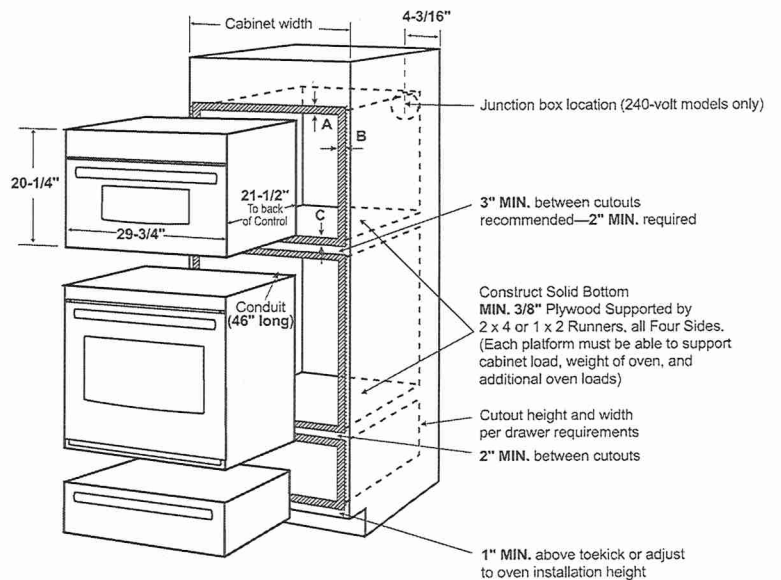
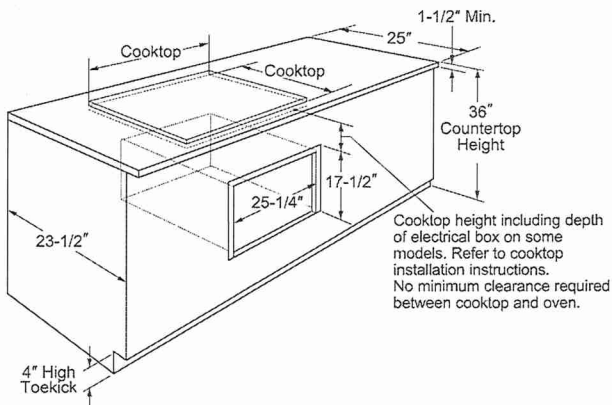
**Note:** Cabinets installed adjacent to wall ovens must have an adhesion spec of at least 194° F temperature rating.



A = The unit overlap is 1-3/4" but allow 1-7/8" clearance from top edge of cutout  
 B = The unit overlap is 2-1/4" but allow 2-3/8" clearance from side edges of cutout  
 C = The unit overlap is 1" but allow 1-1/8" clearance from bottom edge of cutout



(Platform must be able to support cabinet load, weight of oven, and additional oven loads)



For answers to your Café™ product questions, visit our website at [cafeappliances.com](http://cafeappliances.com).

Lot 5  
Forestside (Phs)

# Café™ 30" Five in One Oven with 120V Advantium® Technology

CSB913P4NW2 / CSB913P2NS1 / CSB913P3ND1

# CAFÉ

DISTINCT BY DESIGN™

## DIMENSIONS AND INSTALLATION INFORMATION

**Prepare the opening:** The Advantium Built-In Oven can be installed in combination with other appliances. Always follow each product's Installation Instructions to complete the installation.

**Single oven installation:** Order a 30" wide single oven cabinet or cut the opening in a wall to the dimensions shown.

\* For existing cutouts, a maximum width of 28-1/2" is acceptable. If the opening is slightly wider, secure a furring strip on each side of the cutout for securing the oven.

- Always maintain 36-3/4" minimum height from the floor to the cutout in any single or combined installation.
- The unit overlap on the top is 1-3/4" but allow 1-7/8" clearance from top edge of cutout. The unit overlap on each side is 2-1/4" but allow 2-3/8" clearance from side edges of cutout. The unit overlap on the bottom is 1" but allow 1-1/8" clearance from bottom edge of cutout.
- Oven overlaps will conceal cut edges on all sides of the opening.

### Preparation with a Warming Drawer

When installed over a single oven or a warming drawer, allow at least 2" between the two openings. This separation will provide clearance for bottom overlap of the Advantium Built-In Oven and the other appliance overlaps. Construct a solid oven floor of 3/8" min. thick plywood supported by 2 x 4 or 2 x 2 runners on all sides.

- The support must be level and rigidly mounted, flush with the bottom edge of the cutout.

\* For existing cutouts, a maximum width of 28-1/2" is acceptable. If the opening is slightly wider, secure a furring strip on each side of the cutout for securing the oven.

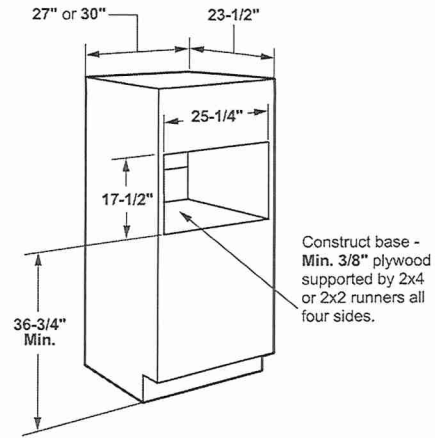
**Note:** Additional clearances between the cutouts may be required. Check to be sure the oven supports above the Warming Drawer location do not obstruct the required interior depth and height. See Warming Drawer installation instructions for details.

### Installation Over a Wall Oven and Warming Drawer:

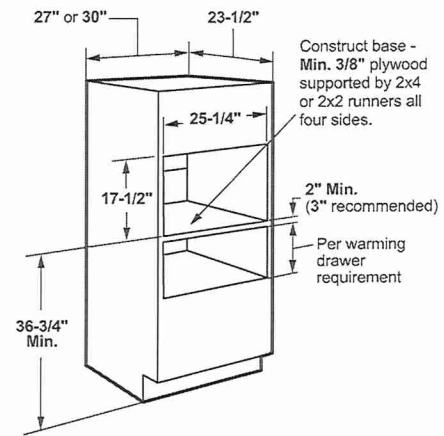
\* For existing cutouts, a maximum width of 28-1/2" is acceptable. If the opening is slightly wider, secure a furring strip on each side of the cutout for securing the oven.

**Note:** Additional clearances between the cutouts may be required. Check to be sure the oven supports above the Warming Drawer location do not obstruct the required interior depth and height. See Warming Drawer installation instructions for details.

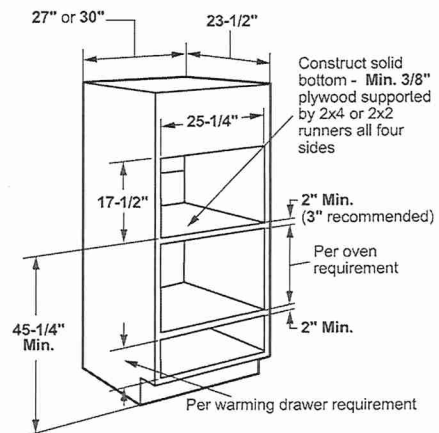
**Caution:** For personal safety, the mounting surface must be capable of supporting the cabinet load, in addition to the added weight of the oven and drawer, plus additional oven loads.



### Installation over Warming Drawer:



### Installation over a Wall Oven and Warming Drawer:



## ADDITIONAL ACCESSORIES



CXWS0H0PMBZ  
Brushed Bronze  
1 handle  
(standard on Matte White)



CXWS0H0PMSS  
Brushed Stainless  
1 handle  
(standard on Matte Black)



CXWS0H0PMBT  
Brushed Black  
1 handle



CXWS0H0PMCU  
Brushed Copper  
1 handle



CXWS0H0PMCG  
Brushed Brass  
1 handle



CXWS0H0PMFB  
Flat Black  
1 handle

Lot 5

Forestside (Ph 8)

# Café™ Professional Series 30" Built-In Single Electric Convection Wall Oven

CTS70DP2NS1

# CAFÉ

DISTINCT BY DESIGN™



## FEATURES & BENEFITS

Precision is the name of your cooking game - Confidently try new recipes and perfectly execute your favorites, using a smart system that automatically tracks progress, modifies temperatures and adjusts cook times

Brighten up life in the kitchen - Easily navigate wall oven settings using a stunning full color display that adds an unexpected touch of style to your kitchen

The perfect bake is now perfectly easy - Achieve unrivaled performance with the only system that delivers top-down true convection for consistent results on special occasion favorites like roasts, chicken, turkey and more

No preheat, no hassle - Save time with a variety of precision cooking modes that eliminate the need for preheating

Fried taste. Crisp texture. Less oil. - Make your favorite "fried" foods healthy, thanks to a mode that crisps without using oil for frying

Enjoy convenient temperature control from anywhere - Preheat while running errands or change oven temperatures while doing yard work with the Café Appliances Kitchen app

Create a look that matches your personal style - Select any combination of premium finishes and hardware options to create a stunning look customized to any owner's taste

The oven rack that handles it all - Easily remove heavy dishes with a roller rack that is specially designed to glide smoothly and stay in the oven during the self-clean cycle, so you never have to handle cumbersome racks again

The perfect fit you've always dreamed of - When you're updating your kitchen, attention to detail is a priority. That's why Café wall ovens are guaranteed for an exact fit or Café Appliances will pay up to \$300 toward modifications.

## APPEARANCE

Color Appearance	Stainless Steel
Oven Door Features	Big View Oven Window
Handle	Café Pro Style; Brushed Stainless; Customizable
Installation	Above Warming Drawer; Undercounter; Under Cooktop; Side-by-Side; Under Built-In Advantium; Under Built-In Microwave

## FEATURES

Configuration	Single Oven
Cooking System	True European Convection with Direct Air
Oven Cleaning Type	Self-Clean with Steam Clean Option
Cleaning Time	Variable with Delay Clean Option
Oven Cooking Modes	Convection Bake Convection bake Multi-Rack Convection Broil Hi/Lo Convection Roast Thermal Bake Thermal Broil Hi/Lo Hot-Air Frying Keep Warm Proof Precision Cooking Modes Scan-To-Cook
Self-Clean Oven Door Lock	Automatic
Control Type	7" Full-Color Touch LCD Screen
Oven Features	10-Pass Bake Element 10-Pass Dual Broil Element Closed Door Broiling
Oven Rack Features	1 Never Scrub Roller Rack 1 Never Scrub Flat Rack 6 Embossed Rack Positions
Oven Control Features	12-Hour Shut-Off Capability Audible Preheat Signal Auto Recipe Conversion C° or F° Programmable Sabbath Mode Control Lock Capability Cook Time Delay Time Electronic Clock & Kitchen Timer Temperature Probe
WiFi Connect	Built-In
Connected Capabilities	Amazon Alexa The Google Assistant IFTTT Nest Drop Innit
Cooking Technology	Convection
Oven Interior	2 Halogen Interior Oven Lights Black Gloss Finish Hidden Bake

## CAPACITY

Total Capacity (cubic feet)	5.0 cu ft
-----------------------------	-----------

## POWER / RATINGS

Amp Rating at 208V	20
Amp Rating at 240V	20
Bake Wattage	2850W
Broiler Wattage	4300W
Convection Wattage	2400W
KW Rating at 208V	3.4
KW Rating at 240V	4.5

## WEIGHTS & DIMENSIONS

Approximate Shipping Weight	177 lb
Net Weight	161 lb
Overall Height	28-5/8 in
Overall Width	29-3/4 in
Overall Depth	26-3/4 in
Cabinet Width	30 in
Cutout Dimensions (W x H x D) (in.)	28-5/8 x 27-5/16 x 23-1/2
Oven Interior Dimensions (W x H x D) (in.)	25 x 17-3/8 x 20-1/4

Lot 5

Forestside (Pns)



# Café™ Professional Series 30" Built-In Single Electric Convection Wall Oven

CTS70DP2NS1

# CAFÉ

DISTINCT BY DESIGN™

## OPTIONAL ACCESSORIES

30" Never Scrub Roller Rack	UXWORXR30
Large Broiler Pan	WB48X10056
60" Replacement Electrical Conduit	WB18T10581
72" Replacement Electrical Conduit	WB18T10578

## WARRANTY

Parts warranty	Limited 1-year entire appliance
Labor warranty	Limited 1-year entire appliance
Warranty notes	See written warranty for full details

## DIMENSIONS AND INSTALLATION INFORMATION

Single wall ovens are NOT approved for stacking above or below another single wall oven.

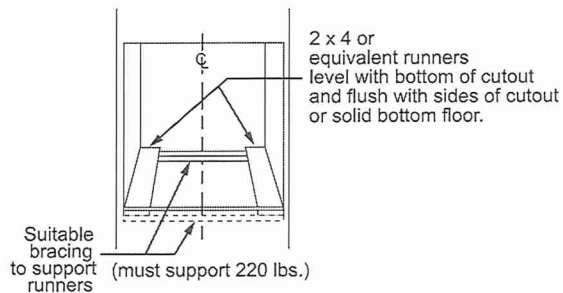
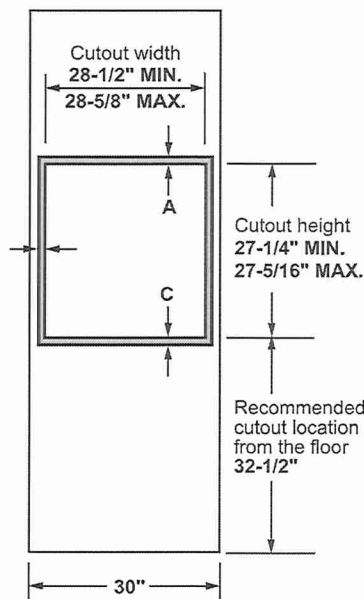
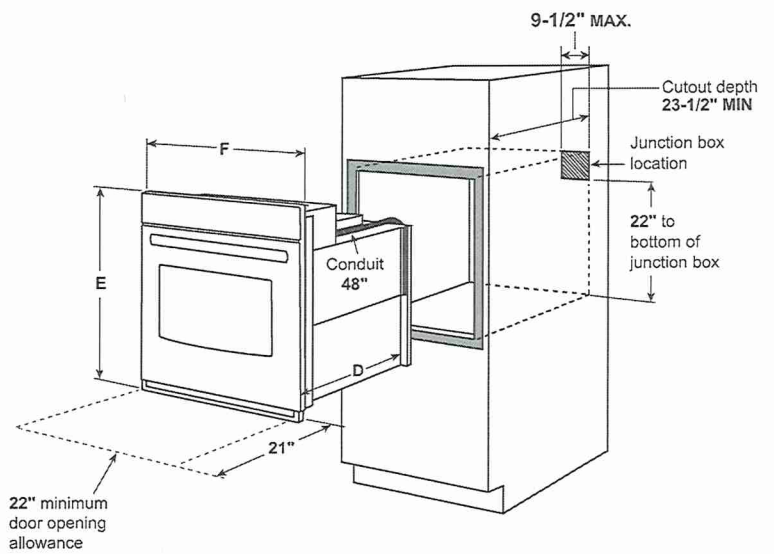
Wall coverings, countertops and cabinets surrounding the wall oven must be able to withstand a temperature of up to 200°F (94°C).

If the cabinet in which the wall oven is installed does not have a solid bottom, two braces or runners must be installed to support the weight of the oven. The runners and braces must support up to 220 lbs (99 kg).

Door handle protrudes 3" from door face. Cabinets and drawers on adjacent 45° and 90° walls should be placed to avoid interference with the handle.

**ATTENTION INSTALLER:** Electric wall ovens are NOT approved for installation with a plug and receptacle. They must be hard wired into an approved junction box.

**IMPORTANT:** Before installing, consult installation instructions packed with product for current dimensional data.



<b>Cabinet</b>	30"
A - Overlap of oven at top of cutout	1-1/4"
B - Overlap of oven other side of edge of cutout	3/4"
C - Overlap of oven at bottom of cutout	1-1/4"
<b>Oven</b>	
D - Install depth	23-1/2"
E - Overall height with trim	28-5/8"
F - Overall width	29-3/4"

Dimension and installation information are shown in inches.

For answers to your Café™ product questions, visit our website at [cafeappliances.com](http://cafeappliances.com).

Lot 5  
Forestsideside (Ph 8)

# Café™ Professional Series 30" Built-In Single Electric Convection Wall Oven

CTS70DP2NS1

# CAFÉ

DISTINCT BY DESIGN™

## DIMENSIONS AND INSTALLATION INFORMATION

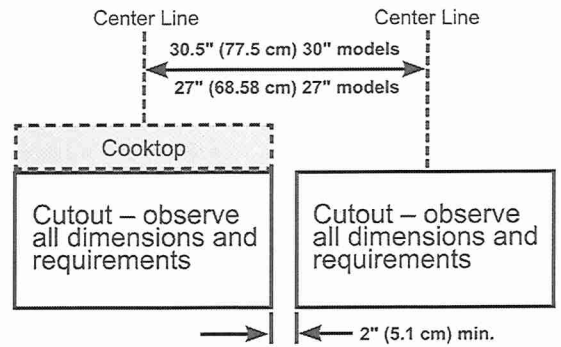
30" Single electric wall ovens are approved for installation below a countertop, and below certain gas and electric cooktops. Refer to the Approved Combinations Matrix available at [cafeappliances.com](http://cafeappliances.com) for specific information.

30" Single electric wall ovens are approved for installation above 27" and 30" warming drawers.

**ATTENTION INSTALLER:** Electric wall ovens are NOT approved for installation with a plug and receptacle. They must be hard wired into an approved junction box.

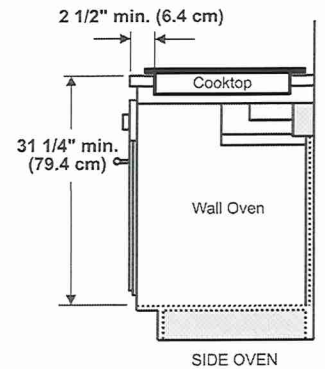
**IMPORTANT:** Before installing, consult installation instructions packed with ALL products for current dimensional and combination data.

### SIDE-BY-SIDE INSTALLATION (TWO OVENS IN SEPARATE CUTOUTS)



**NOTE:** One cooktop may be centered over either oven in the side-by-side installation.

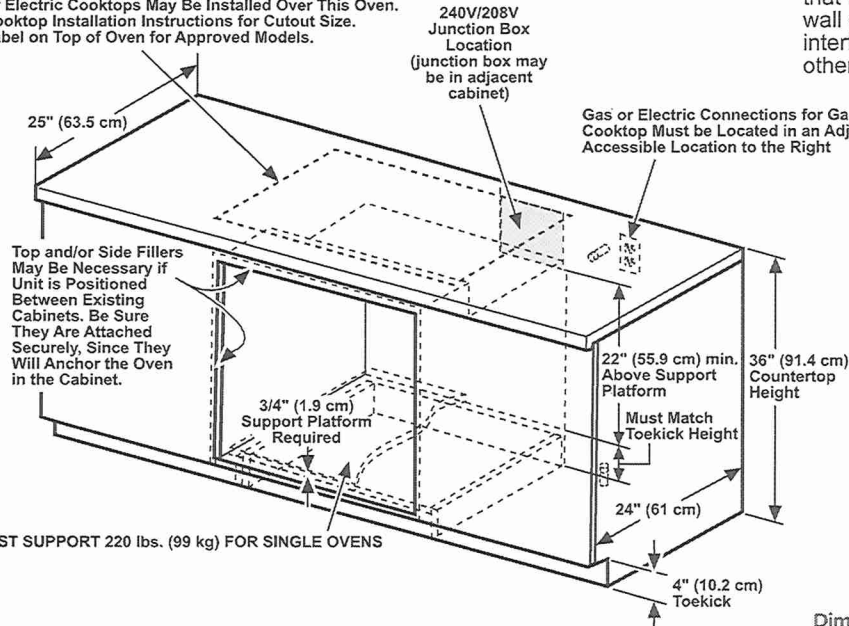
### INSTALLATION BELOW A COOKTOP



**IMPORTANT:** Maintain a minimum distance of 31 1/4" from the top surface of the countertop to the wall oven platform to ensure that the cooktop and wall oven do not interfere with each other (see picture).

### UNDERCOUNTER INSTALLATION

Gas or Electric Cooktops May Be Installed Over This Oven. See Cooktop Installation Instructions for Cutout Size. See Label on Top of Oven for Approved Models.



MUST SUPPORT 220 lbs. (99 kg) FOR SINGLE OVENS

Dimension and installation information are shown in inches.

### ADDITIONAL ACCESSORIES



CXWS0H0PMBZ  
Brushed Bronze  
1 handle



CXWS0H0PMSS  
Brushed Stainless  
1 handle



CXWS0H0PMBT  
Brushed Black  
1 handle



CXWS0H0PMCUCU  
Brushed Copper  
1 handle



CXWS0H0PMCGB  
Brushed Brass  
1 handle



CXWS0H0PMFB  
Flat Black  
1 handle

For answers to your Café™ product questions, visit our website at [cafeappliances.com](http://cafeappliances.com).

© 2022 GE Appliances 8/22

Lot 5  
Forestside (Ph 8)

# Brussels User Manual

VRH-BRUSSELS-30/36



**Vesta** Simple Kitchen Solutions

Lot 5  
Forestside (Ph8)

# Venting Requirements

Vent system must terminate to the outside (roof or side wall).

DO NOT terminate the vent system in an attic or other enclosed area.

DO NOT use 4" (10.2 cm) laundry-type wall caps.

Use metal/aluminum vent only. Rigid metal/aluminum vent is recommended.

DO NOT use plastic vent.

Always keep the duct clean to ensure proper airflow.

Calculate the following figures before installation:

1. Distance from the floor to the ceiling.
2. Distance between the floor to the countertop/stove (US Standard: 36").
3. Distance between the countertop/stove to the range hood (recommend\* 28" to 31").
4. Height of hood and duct cover.

## **For the most efficient & quiet operation:**

A distance of 28" to 31" is recommended\* between stove top and the bottom of range hood.

It is recommended that the range hood be vented vertically through the roof through 6" (15.2 cm) or bigger round metal/aluminum vent work.

Lot 5  
Forestside (Ph8)

The size of the vent should be uniform.

Use no more than three 90° elbows.

Make sure there is a minimum of 24" (61 cm) of straight vent between the elbows if more than one elbow is used.

DO NOT install two elbows together.

The length of vent system and number of elbows should be kept to a minimum to provide efficient performance.

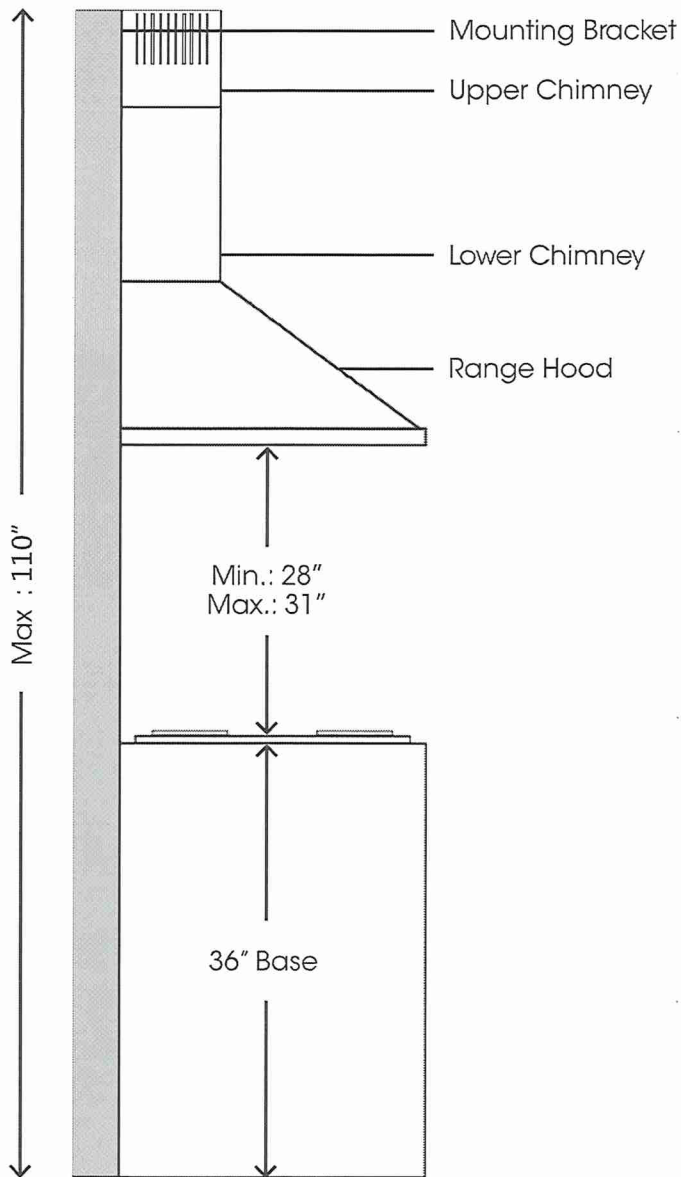
The vent system must have a damper. If roof or wall cap has a damper, DO NOT use damper (if supplied) on top of the range hood.

Use silver tape or duct tape to seal all joints in the vent system.

Use caulking to seal exterior wall or roof opening around the cap.

Lot 5  
Forestsides (Pns)

# Height & Clearance



Maximum ceiling clearance 110" at 31" hood mounting height above countertop/stove (may vary with different model).  
Chimney extensions available for higher ceilings.

Lot 5  
Forestside (Ph8)

## Important

A minimum of 6" round (standard for this range hood) or 3-1/4 x 10" rectangular duct (purchased separately) must be used to maintain maximum airflow efficiency.

Flexible 6" round duct provided for convenience, always use rigid type metal/aluminum ducts if available to maximize airflow when connecting to provided duct.

Please use Duct Run Calculation below to compute the total available duct run when using elbows, transitions and caps.

ALWAYS, when possible, reduce the number of transitions and turns. If long duct run is required, increase duct size from 6" to 7" or 8" . If a reducer is used, install a long reducer instead of a pancake reducer. Reducing duct size will restrict airflow and decrease airflow, thus reduce duct size as far away from opening as possible.

If turns or transitions are required: Install as far away from opening and as far apart, between 2, as possible.

Minimum mount height between stove top to hood bottom should be no less than 28-inch\*.

Maximum mount height between stove top to hood bottom should be no higher than 31-inch\*.

It is important to install the hood at the proper mounting height. Hoods mounted too low could result in heat damage and fire hazard; while hoods mounted too high will be hard to reach and will lose its performance and efficiency.

If available, also refer to stove top manufacturer's height clearance requirements and recommended hood mounting height above range.

Lot 5  
Forestside (Ph 8)

\* Due to different ceiling height configurations, recommended height may not be applicable.

## Minimum Duct Size:

Round - 6" minimum

Lot 5  
Forestside (Ph8)



# Electrical Requirements

IMPORTANT: Observe all governing codes and ordinances.  
(Please consult with a qualified electrician for 220-Volt 50 Hz voltage)

IT IS THE CUSTOMER'S RESPONSIBILITY:

To contact a qualified electrical installer.

To assure that the electrical installation is adequate and in conformance with National Electrical Code, ANSI/ NFPA 70 — latest edition\*, or CSA Standards C22. 1-94, Canadian Electrical Code, Part 1 and C22. 2 No. 0-M91- latest edition\*\* and all local codes and ordinances.

If codes permit and a separate ground wire is used, it is recommended that a qualified electrician determine that the ground path is adequate.

A 120-volt, 60 Hz, AC-only, fused electrical supply is required on a separate 15-amp circuit, fused on both sides of the line.

Do not ground to a gas pipe.

Do not have a fuse in the neutral or ground circuit.

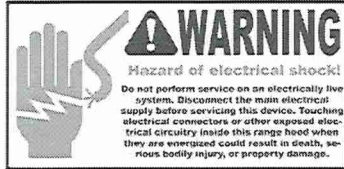
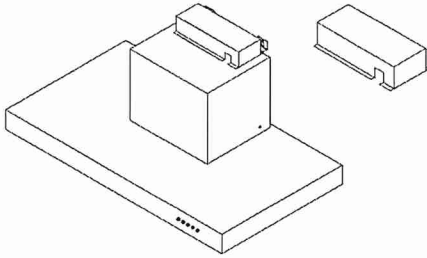
RISK OF ELECTRICAL SHOCK. This range hood must be properly grounded. Check with a qualified electrician if you are not sure whether the range hood is properly grounded.

The range hood should be connected directly to the fused disconnect (or circuit breaker) box through flexible armored or non-metallic sheathed copper cable. A U.L. - or C.S.A. - listed strain relief must be provided at each end of the power supply cable. Do not use extension cord or adapter plug with this appliance.

Lot 5  
Forestside (Pns)

The range hood must be connected with copper wire/plug only.

Always use plug provided. If not possible, connect three wires according to its color (black to hot, white to neutral, and green to ground) to house wires and cap with wire connectors:



Wire sizes (copper wire only) and connections must conform with the rating of the appliance as specified on the model/serial rating label. Wire sizes must conform to the requirements of the National Electrical Code ANSI/NFPA 70 — latest edition\*, or CSA Standards C22. 1-94, Canadian Electrical Code Part 1 and C22. 2 No. 0-M91 - latest edition\*\* and all local codes and ordinances. A U.L. - or C.S.A. - listed conduit connector must be provided at each end of the power supply cable (at the range hood and at the junction box).

Copies of the standards listed may be obtained from:

National Fire Protection Association  
Batterymarch Park Road  
Quincy, Massachusetts 02269

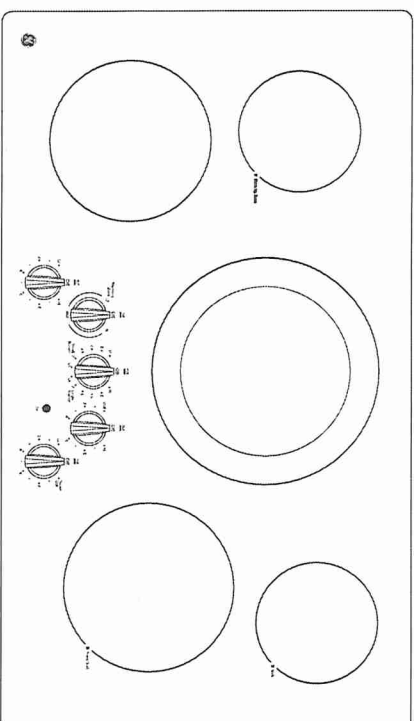
\*\* CSA International  
8501 East Pleasant Valley  
Cleveland, Ohio 44131-5575

Lot 5  
Forest side (Pns)

# JP3036DL/TL/SL GE® Appliances 36" Built-In Knob-Control Electric Cooktop

## FEATURES AND BENEFITS

- Four radiant cooking elements
- Power Boil dual-ring element
- Keep warm setting
- Warming zone
- Melt setting
- Hot surface indicator lights
- Cooktop "on" indicator light
- Fit Guarantee
- Model ~~JP3036DLBB~~ Black on black
- Model ~~JP3036TLWW~~ True white
- Model JP3036SLSS - Stainless steel



## GUARANTEED FIT

Replacing a similar cooktop from GE Appliances or another brand? GE cooktops are guaranteed for an exact fit or GE Appliances will pay up to \$100 toward modifications.

Visit [geappliances.com](http://geappliances.com) for more info.



Lot 5  
Forestside (Ph8)



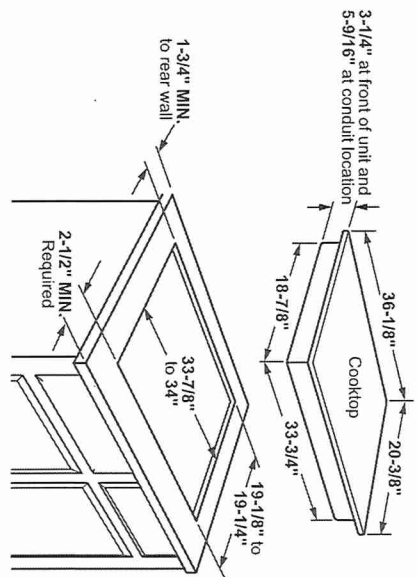
# GE® Appliances 36" Built-In Knob-Control Electric Cooktop

## DIMENSIONS AND INSTALLATION INFORMATION (IN INCHES)

**IMPORTANT:** Requires a 5" free area between the bottom of the cooktop to any combustible material, i.e., shelving. Free area not required when installing wall oven underneath cooktop. Refer to installation instructions. Requires a 15" minimum from cooktop to adjacent overhead cabinets. Units are furnished with a 48" flexible armored cable.

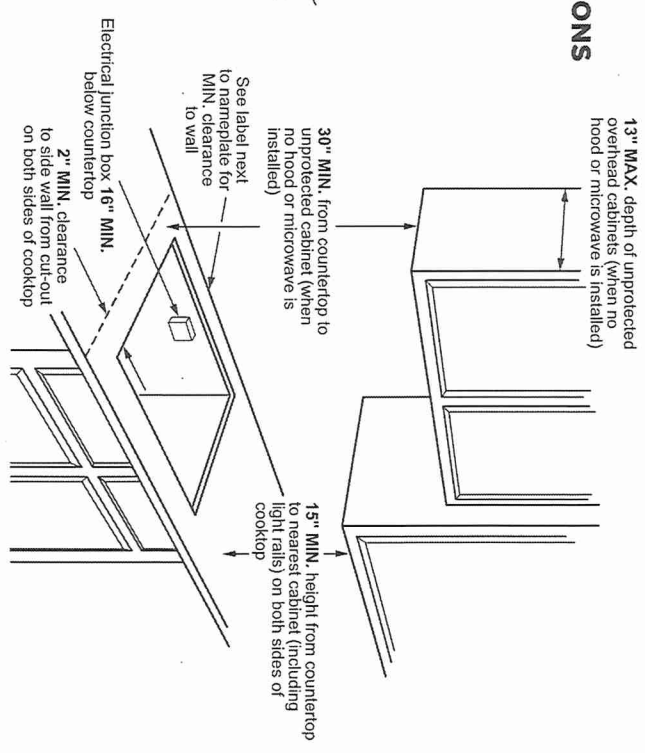
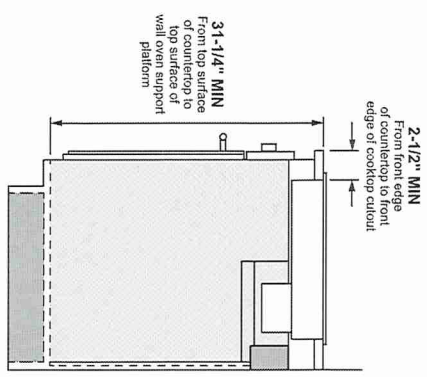
**NOTE:** 36" Ribbon cooktops are approved for use over select GE 30" Single Wall Ovens and Warming Drawers. Refer to cooktop and wall oven/warming drawer installation instructions packed with product for current dimensional data. If installed with a GE Telescope Downdraft System, consult both the cooktop and downdraft installation instructions packed with product before installing. Cooktop gas/electric supply may need to be re-routed to install downdraft. The countertop cutout requires 23-1/2" minimum flat countertop surface and 25" minimum total countertop depth. In addition, other clearances to front edge of the countertop must be considered. Before installing, consult installation instructions packed with product for current dimensional data.

### APPROXIMATE COOKING DIMENSIONS



To insure accuracy, it is best to make a template when cutting the opening in the counter

### INSTALLATION ABOVE A WALL OVEN

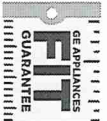


<b>VOLTAGE (60HZ AC)</b>	240V	208V
<b>CONNECTED LOAD (MAX.)</b>	9.0kW	7.1kW
<b>CURRENT DRAW (MAX.)</b>	37.5 Amps	34.3 Amps
<b>RECOMMENDED CIRCUIT BREAKER<sup>1</sup></b>	40 Amps	40 Amps

**NOTE:** Check local codes for required breaker size.



For answers to your Monogram, GE Café™ Series, GE Profile™ Series or GE Appliances product questions, visit our website at [geappliances.com](http://geappliances.com) or call GE Answer Center™ Services, 800.626.2000.



Listed by Underwriters Laboratories

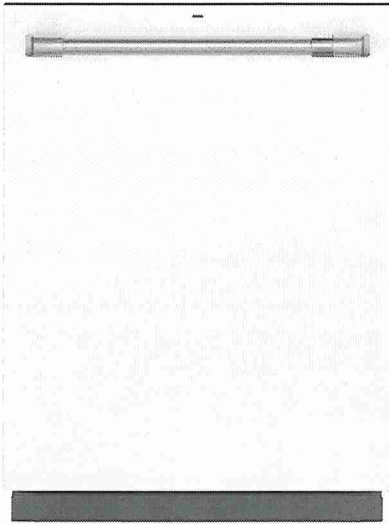
Specification Revised 6/20

Lot 5  
Forestside (Ph8)

# Café™ Stainless Interior Built-In Dishwasher with Hidden Controls

# CAFÉ

CDT845P4NW2 / CDT845P3ND1 / CDT845P2NS1



CDT845P4NW2  
Matte White with Brushed  
Bronze handle



Certified to NSF  
Standard 124 for  
sanitization

ALSO  
AVAILABLE IN



CDT845P3ND1  
Matte Black with  
Brushed Stainless  
handle



CDT845P2NS1  
Stainless Steel with  
Brushed Stainless  
handle

## FEATURES & BENEFITS

**Ultra-Wash & Dry** – Unload sparkling clean, table-ready dishes thanks to our 90+ cleaning jets and an Ultra-Dry system that deliver excellent results

**Loading Flexibility** – Load the dishes your way: Our lower wash arm provides excellent coverage for the largest of loads. The fold down tines accommodate wide or oddly shaped items and our third rack provides extra space for your silverware and kitchen utensils

**Adjustable Upper Racks** – You'll have room for your finest stemware and space for tall bakeware with a rack that can be moved two inches up or down, creating ultimate loading flexibility

**Wash Zones** – Save time and use less water when you don't have a full dish load with a fully customizable cycle that lets you wash a true half load in the upper or lower rack

**Steam + Sani** - Eliminate the need to pre-wash dishes at the end of every meal, thanks to a Steam + Sani feature that easily loosens lingering traces of food with an added bonus of complete sanitization

**Create a look that matches your personal style** – Select any combination of premium finishes and hardware options to create a stunning look customized to any owner's taste

## APPEARANCE

Door Style	Long Door with Top Controls
Installation	Side Installation or Top Installation Included; Built-Up Floor Capable; Flush Cabinet Installation
Door Appearance	Full-length flat door

## FEATURES

Style	Built-in
Tub and Door Liner	Stainless Steel
Tub Type	Tall Tub
Control Type	Top Controls; Cap Touch Controls; 12 Touchpads
Dishwasher Control Features	Cycle Countdown with Bi-Color LED Status Light on door; 1 "Clean" Light; 1 "Sanitized" Light; 1 "Low Rinse Aid" Light; Last Cycle Memory; Audible End-of-Cycle Signal
Wash System	3-Level; 800 Series
Wash System Features	Dual Pumps and Motors; Automatic Temperature Control; Drain Pump; Hard Food Disposer with removable filter; Reversing Quad Blade Lower Wash Arm; Quad Blade Middle Wash Arm; 90 Spray Jet Wash System; Deep Clean Silverware Jets; Automatic HotStart; Bottle Jets (4)
Sensor	Clean Sensor
Wash Arms	3 Wash Levels; Lower- Reversing Quad Blade; Middle - Quad Blade; Bottle Jets; Deep Clean Silverware Jets
Water Filtration System	100% Filtration with Hard Food Disposer and Removable Filter
Dispenser	Rinse Aid with Indicator and Adjustment
Number of Cycles	5
Dishwasher Cycles	Auto; Pots; Normal; China; Express
Number of Options	12
Dishwasher Options	Delay Start 1-12 Hr.; Lock Controls: Hi-Temp Wash; Presoak + Sanitize; Heated Dry Off; Normal Dry; Ultra Dry; Wash Zone Upper Only; Wash Zone Lower Only; Start/Reset; Bottle Jets
Rack Features	Ball-Tipped Tines; Adjustable Upper Rack; 3-Piece Silverware Basket with Cell Covers; Full Extension Slides - Upper; 2 short articulating plastic utility shelves w/Stemsafe and chop-stick slots
Racking Material	Nylon
Racking System	Full 3rd rack
Rack Color	Black Pearl
Number of Place Settings	Up to 16
Upper Rack	Premium Height Adjustable; Ball-Tip Tines; 1/2 fixed tines, 1/2 fold down tines; Fixed tines with Bottle Jets; 1 Rack handle; 2 Stem Safe Shelves; Chop stick slots
Lower Rack	Ball-Tip Tines; 1/2 fixed tines, 1/2 fold down tines
Additional Protection	Active Flood Protection
Dishwasher Drying Features	Multi-Wattage Wash & Dry Element; Heated Dry - Ultra/On/Off; Fan Assist Dry
Cutlery Tray	One piece removable 3rd rack
Leveling System	4 Leveling Legs
Latch	Pull with Handle
WiFi Connect	Optional (Requires part no. PBX23W00Y0)
Exterior Style	Traditional

## ECONOMICAL/QUIET

Quiet Package	45 dBA
Quiet Features	Quiet Water Valve; Sealed Toe Kick; Tub Collar Trim
Motor Type	Single Speed
Outer Wrap	Full-wrap Blanket; Bitumen
Door Insulation	Insulation; Mastic

## WEIGHTS & DIMENSIONS

Cabinet Width	24 in
Approximate Shipping Weight	118 lb
Net Weight	105 lb
Overall Height	34 in
Height w/ Legs Retracted - Minimum Height	33-3/8 in
Height w/Legs Extended - Maximum Height	34-5/8 in
Overall Depth	24 in
Overall Width	23-3/4 in

Lot 5  
Forestside (Pns)

# Café™ Stainless Interior Built-In Dishwasher with Hidden Controls

# CAFÉ

CDT845P4NW2 / CDT845P3ND1 / CDT845P2NS1

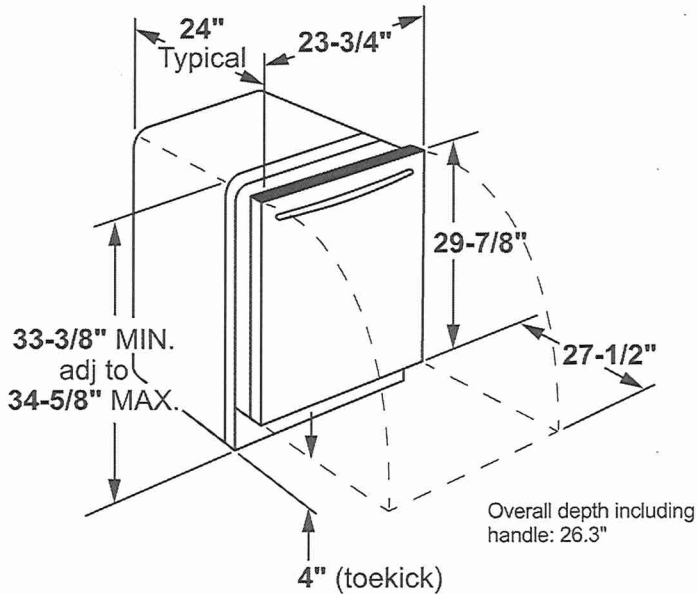
## TECHNICAL DETAILS

Calrod Heater Watts	800/500
Power Connection	Optional cord kit (GPFCORD - WX09X70910, WX09X70911)
Volts/Hertz/Amps	120v; 60Hz; 6.6A

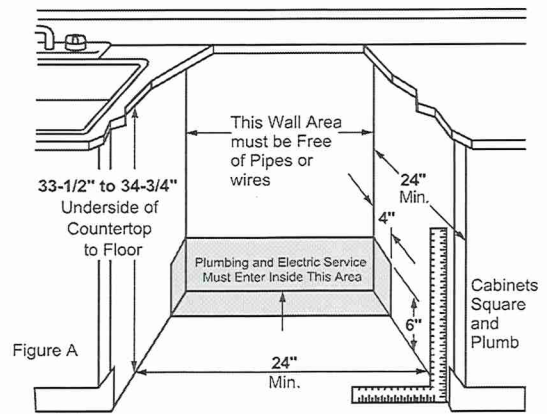
## WARRANTY

Parts warranty	Limited 1-year entire appliance
Labor warranty	Limited 1-year entire appliance
Warranty notes	See written warranty for full details

## DIMENSIONS



## INSTALLATION DIMENSIONS



## ADDITIONAL ACCESSORIES



Brushed Bronze  
CXADTH1PMBZ



Brushed Stainless  
CXADTH1PMSS



Brushed Black  
CXADTH1PMBT



Brushed Copper  
CXADTH1PMCU



Brushed Brass  
CXADTH1PMCG



Flat Black  
CXADTH1PMFB

Lot 5  
Forestside (Pns)



*Revision*

**PURCHASER'S EXTRAS QUOTATION**

**Castlemore Crossing - Phase 8**

PURCHASERS: SHAH, ROSHAN, PRABHAKA and SHAH, SHITAL, ROSHAN

TEL:

LOT NUMBER <b>5</b>	PHASE <b>8</b>	HOUSE TYPE <b>SILVER POPLAR (40-02A) - ELEV A</b>
------------------------	-------------------	--

ITEM	EXTRA / CHANGE	QTY	UNIT PRICE	EXTENDED
1 225487	<b>FAMILY ROOM-</b> Refer to and delete item # 8 from Structural upgrades PE#8517. DELETE "Purchaser's request to DELETE the builders standard Coffered Ceiling in the Family Room"	1		
2 225500	<b>FAMILY ROOM-</b> As per Fonzie, Install the builders standard Coffered ceilings back in the Family Room, as they are required for any applicable Plumbing and heating (See Sketch)	1		
3 225501	<b>LIVING/DINING ROOM-</b> Refer to and delete item # 9 from Structural upgrades PE#8517. DELETE "Purchaser's request to DELETE the builders standard Coffered Ceiling in the Living/Dining Room"	1		
4 225502	<b>LIVING/DINING ROOM-</b> As per Fonzie, Install the builders standard Coffered ceilings back in the Living/Dining Room, as they are required for any applicable Plumbing and heating (See Sketch)	1		
5 225503	PURCHASER AWARE AND ACCEPTS THAT ANY CHANGES MADE TO UPGRADES AFTER SIGNING THIS PURCHASERS EXTRA FORM ARE SUBJECT TO A MINIMUM ADMINISTRATION FEE OF \$1,000	1		

<b>Sub Total</b>
<b>HST</b>
<b>Total</b>



- In the event the work on the house has progressed beyond the point where the items covered by this extra cannot be installed without entailing any unusual expense, then this order is to be cancelled and any deposit paid in connection with the same is to be refunded to the Purchaser.
- The Vendor will undertake to incorporate the work covered by the sales extra in the construction of the house but will not be liable to the purchaser in any way, if for any reason the work covered by the extra is not carried out. In that event, any monies paid in connection with the same shall be returned to the Purchaser.
- It is understood and agreed that if for any reason whatsoever the transaction of Purchase and Sale is not completed, the total cost of extras ordered are not refundable to the Purchaser(s).
- Extras or changes will not be processed unless signed by the Vendor.
- These extras may not be amended without the written consent of FORESTSIDE ESTATES INC..
- The Purchaser(s) and the Vendor acknowledge and agree that this form shall not be deemed to be part of the Agreement of Purchase and Sale entered into between them, nor an addendum thereto.
- No Estimates or orders will be accepted once construction has commenced.
- Prices are estimates only and guaranteed for a period of 5 days only.
- Any cancellations to this order, providing they can be cancelled, are subject to a \$500 minimum administration charge and a 10% cancellation charge for the total amount being cancelled.
- For Visa, Mastercard and Debit payments, transactions are identified on you statement as "SHERWAY CONSTRUCTION LTD", an Authorized Visa /Mastercard/Debit Merchant and authorized Royal Pine Homes company.

Initials: DS  
RS DS  
SSR

TAX#:86425 2416 RT0001

PREPARED BY: Laura Di Pede  
 PRINTED: 16-Jan-24 at 1:30 pm

CONSTRUCTION SCHEDULING APPROVAL	
PER:	_____
DATE:	_____



# CONSTRUCTION SUMMARY

**Forestside Estates Inc.**

**PURCHASERS:** SHAH, ROSHAN, PRABHAKA and SHAH, SHITAL, ROSHAN

**TEL:**

LOT NUMBER	PHASE	HOUSE TYPE	CLOSING DATE
5	8	SILVER POPLAR (40-02A) - ELEV A	14-Aug-24

**Date Added:** 29-Nov-23

**Invoice Number:** 8595

1 - Install Standard Cable Rough-Ins (x2) and Install Standard Telephone Rough-Ins (x2) (See Sketch)

Note:

1 - FAMILY ROOM - Install ONE (1) ADDITIONAL ELECTRICAL PLUG at family room. To be installed above fireplace, to accommodate wall mount TV. Plug to be installed Approx. 60" AFF (See Sketch)

Note:

1 - FAMILY ROOM - Install Standard Conduit Pipe at family room above fireplace mantle. To accommodate future installation of wall mount TV. Conduit installed beside electrical plug (See Sketch)

Note:

1 - FAMILY ROOM - Install UPGRADE HEARTH 1.25" to Standard Villa Nova Fireplace Mantle at Family Room (See Sketch)

Note:

1 - MAIN FLOOR & SECOND FLOOR - INTERIOR DOORS - Install UPGRADE INTERIOR DOORS - LINCOLN PARK, SMOOTH - To be installed throughout main floor and second floor, where applicable (See Sketch)

Note:

1 - MAIN FLOOR & UPPER HALL - FLOORING - HARDWOOD - Install prefinished 5" x 3/4" VINTAGE WHITE OAK BAUHAUS (Character Pearl) in lieu of builders standard prefinished 3 1/4" x 3/4" Vintage Red Oak Natural Hardwood.

Note: To be installed throughout main floor and upper hall, where applicable. To Include; Main Hall, Den, Family Room, LivingRoom/DiningRoom, Upper Hall and Applicable Landings (See Sketch)

1 - STAIRCASE - Stain Oak Staircase from Main Floor to Second Floor, where applicable. To be Stained - Vintage Red Oak BAUHAUS - To Include; Treads, Risers, Handrail and Post, where applicable (See Sketch)

Note:

1 - STAIRCASE VS FLOORING  
WOOD SPECIES DIFFERENCE:

STAIRCASE - The purchaser was advised and therefore accepts and acknowledges that the wood species of the staircase and flooring chosen do not match. This difference may result in a stain colour variance.

Note: The purchaser agrees that the vendor is to be exempt from any and all claims by the purchaser regarding this colour variance.

1 - STAIRCASE VS FLOORING  
STAINING DIFFERENCE:

STAIRCASE - The purchaser was advised and therefore accepts and acknowledges that the stain of the staircase and flooring chosen do not match. This difference might result in an undesirable colour variance.

Note: The purchaser agrees that the vendor is to be exempt from any and all claims by the purchaser regarding this colour variance.

1 - KITCHEN - CABINetry - Install 42" UPPER CABINETS with LARGE CROWN MOULDING and PAN and FASCIA - To be installed throughout upper cabinetry, where applicable. To extend up to reach ceiling (See Sketch)

Note:

1 - KITCHEN - CABINetry - Install FULL DEPTH FRIDGE ENCLOSURE at fridge area of kitchen (See Sketch)

Note:

1 - KITCHEN - CABINetry - Install BUILT-IN MICROWAVE & WALL OVEN with DRAWER BELOW in lieu of standard upper and base cabinetry. To be installed on stove wall, beside entrance to dining room (See Sketch)

Note:

1 - KITCHEN - CABINetry - Install 30" COOKTOP CABINET WITH 2 POT DRAWERS BELOW - To be installed at kitchen (See Sketch)

Note:

1 - KITCHEN - CABINetry - Install ONE (x1) UPPER BI-FOLD CORNER CABINET - To be installed at corner between sink and cooktop (See Sketch)

Note:





# CONSTRUCTION SUMMARY

Forestside Estates Inc.

PURCHASERS: SHAH, ROSHAN, PRABHAKA and SHAH, SHITAL, ROSHAN

TEL:

LOT NUMBER	PHASE	HOUSE TYPE	CLOSING DATE
5	8	SILVER POPLAR (40-02A) - ELEV A	14-Aug-24

Date Added: 29-Nov-23

Invoice Number: 8595

1 - KITCHEN - CABINetry - Install ONE (x1) DUAL RECYCLE BIN W/ SOFT CLOSE - To be installed at kitchen island, close to sink (See Sketch)  
Note:

1 - KITCHEN - CABINetry - Install ONE (x1) BASE SPICE/OIL PULL OUT W/SOFT CLOSE - To be installed beside cooktop (See Sketch)  
Note:

1 - KITCHEN - CABINetry - Install ONE (x1) SET OF POT AND PAN DRAWERS (Set of 3) - To be installed at kitchen island (See Sketch)  
Note:

1 - KITCHEN - Purchasers request to NOT INSTALL builder's standard hood fan and standard cabinets above stove. DELETE. Do not supply, install, and/or credit. Purchasers are installing their own chimney hood fan after closing.  
Note: Purchasers accept and acknowledge that the exhaust fan duct hole may be off-centered with stove in kitchen due to purchasers installing their own hood fan after closing. The vendor is exempt.

1 - KITCHEN - CABINetry - Install UPGRADE FULL EXT. UNDERMOUNT TRACKS WITH SOFT CLOSE - To be installed throughout ALL DRAWERS at kitchen, where applicable (See Sketch)  
Note:

1 - KITCHEN - Install ROUGH-IN WIRING for BUILT-IN MICROWAVE at Kitchen (See Sketch)  
Note: \*\*PLEASE NOTE - Above Pricing is subject to change once appliance specifications have been submitted and reviewed\*\*

1 - KITCHEN - Install ROUGH-IN WIRING for BUILT-IN WALL OVEN at Kitchen (See Sketch)  
Note: \*\*PLEASE NOTE - Above Pricing is subject to change once appliance specifications have been submitted and reviewed\*\*

1 - KITCHEN - COUNTERTOP - Install UPGRADE #1 Stone Countertop - EMMERSTONE CALACATTA GOLD - To be installed throughout kitchen, where applicable (does not include stone backsplash) (See Sketch)  
Note:

1 - KITCHEN - COUNTERTOP - EDGING - Install UPGRADE " M " EDGE - To be installed throughout kitchen countertop, where applicable (See Sketch)  
Note:

1 - KITCHEN - COUNTERTOP - Install Upgrade Stone Countertop for 30" Cook-Top Cut Out (See Sketch)  
Note:

1 - DISCLAIMER - STONE COUNTERTOP;  
KITCHEN - Due to the many variables that can affect the pattern, colour and/or design and "pitting" of stone products, stone installed will not be identical to the samples displayed.  
Note: Every effort is made to provide stone countertops as close as possible but the vendor is not responsible for results which differ from the sample displayed. All countertop surfaces may have seams, and product pattern and shade can change in areas containing seams

1 - DISCLAIMER - STONE COUNTERTOP;  
KITCHEN - Stone slabs vary in size & all seams are visible & the fabricator reserves the right to position the seams as necessary.  
Note:

1 - KITCHEN - KITCHEN SINK - Install UPGRADE Undermount Sink - BLANCO QUATRUS R15 U2 UNDERMOUNT SINK - MODEL #401519 (See Sketch)  
Note:

1 - KITCHEN - KITCHEN FAUCET - Install Builders Standard Faucet - MOEN Method Single Handle Pull-Out (Single Hole) Kitchen Faucet - Model # 7585 - Chrome  
Note:

1 - KITCHEN - Install MOEN SOAP/LOTION DISPENSER MODEL #3944 Chrome - To be installed on right side of kitchen sink (See Sketch)  
Note:



# CONSTRUCTION SUMMARY

Forestside Estates Inc.

PURCHASERS: SHAH, ROSHAN, PRABHAKA and SHAH, SHITAL, ROSHAN

TEL:

LOT NUMBER	PHASE	HOUSE TYPE	CLOSING DATE
5	8	SILVER POPLAR (40-02A) - ELEV A	14-Aug-24

Date Added: 29-Nov-23

Invoice Number: 8595

1 - PURCHASER HAS ATTENDED A DECOR APPOINTMENT AT THE DESIGN STUDIO AND HAS DECLINED ANY ADDITIONAL UPGRADES. Purchaser accepts and acknowledges that there will be no further changes/additions/deletions to be made upon signing on NOVEMBER 28, 2023

Note:

1 - PURCHASER AWARE AND ACCEPTS THAT ANY CHANGES MADE TO UPGRADES AFTER SIGNING THIS PURCHASERS EXTRA FORM ARE SUBJECT TO A MINIMUM ADMINISTRATION FEE OF \$1,000

Note:

Date Added: 05-Oct-23

Invoice Number: 8517

1 - SIDE EXTERIOR- Install the optional Side Door entrance with applicable standard Coach Light (See Sketch) (If grade permits)

Note:

4 - BASEMENT- Install FOUR (X4) larger basement windows 30"x24" (with possible window wells), in lieu of the builders standard (See Sketch)

Note:

1 - BASEMENT- In addition to the builders standard basement windows, Install ONE (x1) larger basement (See Sketch) (With possible Window wells)

Note:

1 - FRONT EXTERIOR DOORS- Install Extended Height Double Front Doors in lieu of the builders standard height (See Sketch)

Note:

1 - MASTER ENSUITE- Delete the builders standard glass shower panels and chrome framed door, Purchaser's request to leave the shower stall open with NO glass (See Sketch)

Note:

1 - SHARED BATH 2/3- Delete the builders standard tub/shower, and install a shower stall. To include 2x2 mosaic shower floor, Curb with white quartz top, and shower pot light. \*\*To Be Left Open\*\* (See Sketch)

Note: \*\*PLEASE NOTE\*\* PURCHASER REQUEST FOR TOE TESTER TO REMAIN FOR THE SHOWER STALL\*\* TO BE INSTALLED AT STANDARD Tub/Shower HEIGHT

\*\*Purchaser has an option to further upgrade the quartz curb top at time of colour chart\*\*

1 - SHARED BATH #5- Delete the builders standard tub/shower, and install a shower stall. To include 2x2 mosaic shower floor, Curb with white quartz top, and shower pot light. \*\*To Be Left Open\*\* (See Sketch)

Note: \*\*PLEASE NOTE\*\* PURCHASER REQUEST FOR TOE TESTER TO REMAIN FOR THE SHOWER STALL\*\* TO BE INSTALLED AT STANDARD Tub/Shower HEIGHT

\*\*Purchaser has an option to further upgrade the quartz curb top at time of colour chart\*\*

1 - FAMILY ROOM- Purchasers request to DELETE the builders standard Coffered Ceiling in the Family Room (See Sketch)

Note:

1 - LIVING/DINING ROOM- Purchasers request to DELETE the builders standard Coffered Ceiling in the Living/ Dining Room (See Sketch)

Note:

1 - SECOND FLOOR- Install Smooth ceilings throughout the 2nd floor, where applicable (See Sketch)

Note:

1 - BASEMENT- AMP- Install 200 Amp service for the house (See Sketch)

Note:

1 - PURCHASER HAS ATTENDED A STRUCTURAL AND COLOUR CHART APPOINTMENT AT THE DESIGN STUDIO AND HAS DECLINED ANY ADDITIONAL UPGRADES

Note:



## CONSTRUCTION SUMMARY

Forestside Estates Inc.

PURCHASERS: SHAH, ROSHAN, PRABHAKA and SHAH, SHITAL, ROSHAN

TEL:

LOT NUMBER	PHASE	HOUSE TYPE	CLOSING DATE
5	8	SILVER POPLAR (40-02A) - ELEV A	14-Aug-24

**Date Added: 05-Oct-23**

**Invoice Number: 8517**

1 - PURCHASER AWARE AND ACCEPTS THAT ANY CHANGES MADE TO UPGRADES AFTER SIGNING THIS PURCHASERS EXTRA FORM ARE SUBJECT TO A MINIMUM ADMINISTRATION FEE OF \$1,000

Note:

1 - BONUS PACKAGE-PURCHASER TO RECEIVE \$20,000 (INCLUSIVE OF TAXES) WORTH OF UPGRADES AT THE DESIGN STUDIO AT TIME OF COLOUR CHART

Note:

**Date Added: 29-May-23**

**Invoice Number: 8481**

1 - BASEMENT- Purchaser has declined the Extended height basement ceiling.

Note:

1 - PURCHASER AWARE AND ACCEPTS THAT ANY CHANGES MADE TO UPGRADES AFTER SIGNING THIS PURCHASERS EXTRA FORM ARE SUBJECT TO A MINIMUM ADMINISTRATION FEE OF \$1,000

Note:

**This Document is Extremely Time Sensitive - Printed 14 Dec 23 at 16:36**



\* INTERIOR COLOUR SCHEME \*

<b>Purchasers</b> SHAH, ROSHAN, PRABHAKA & SHAH, SHITAL, ROSHAN	<b>Decor Consultant</b> Melissa Di Marino	<b>Model and Elevation</b> SILVER POPLAR (40-02A) - ELEV A	<b>Telephone Res. / Bus</b> /	<b>Project</b> Forestside Estates Inc.	<b>Closing Date</b> 14/08/2024	<b>Property</b> 5
--	--	---	----------------------------------	---	-----------------------------------	----------------------

Page 1 of 3

	Flooring	Wall Tile	Plumbing
	Description	Main Accent/Insert Border / Listello Pattern	
Primary Ensuite	✓ 13x13 KEATON CARBON (STD)	✓ 8x10 KEATON CARBON (STD) NONE	WHITE
Shared Bath 2/3	✓ 13x13 KEATON ICE (STD)	✓ 8x10 KEATON ICE (STD) NONE	WHITE
Shared Bath 5	✓ 13x13 NEW REEDS TAUPE (STD)	✓ 8x10 NEW REEDS TAUPE (STD) NONE	WHITE
Powder Room	✓ 18x18 VERNAZZA BIANCO MATTE (STD)	N/A N/A	WHITE
Laundry Room	✓ 18x18 VERNAZZA BIANCO MATTE (STD)	N/A N/A	STD
Garage Landing	✓ 18x18 VERNAZZA BIANCO MATTE (STD)	N/A N/A	N/A
Kitchen/Breakfast	✓ 18x18 VERNAZZA BIANCO MATTE (STD)	NONE N/A	See Notes
Foyer	✓ 18x18 VERNAZZA BIANCO MATTE (STD)		
Main Hall	✓ 5" x 3/4" Vintage WhiteOak Bauhaus (Pearl) (UPG)		
Family Room	✓ 5" x 3/4" Vintage WhiteOak Bauhaus (Pearl) (UPG)		
Living Room	✓ 5" x 3/4" Vintage WhiteOak Bauhaus (Pearl) (UPG)		
Dining Room	✓ 5" x 3/4" Vintage WhiteOak Bauhaus (Pearl) (UPG)		
Den	✓ 5" x 3/4" Vintage WhiteOak Bauhaus (Pearl) (UPG)		
Upper Hall	✓ 5" x 3/4" Vintage WhiteOak Bauhaus (Pearl) (UPG)		
Primary Bedroom	✓ BROADLOOM - Opening Night 4002-01 (STD)		
Bedroom 2	✓ BROADLOOM - Opening Night 4002-01 (STD)		
Bedroom 3	✓ BROADLOOM - Opening Night 4002-01 (STD)		
Bedroom 4	✓ BROADLOOM - Opening Night 4002-01 (STD)		
Bedroom 5	✓ BROADLOOM - Opening Night 4002-01 (STD)		

Railings and Stairs		Cornice Moulding / Medalion	
Railings	✓ STD-2 5/8" OVAL-Vintage RedOak Bauhaus	Foyer	NONE
Pickets	✓ STD-Steel 1/2" Square, Plain - Flat Black	Living Room	NONE
Posts	✓ Std-31/2" Square, w/Cap-Vint.RedOakBauhaus	Dining Room	NONE
Stringers	✓ STD - VINTAGE RED OAK BAUHAUS	Family Room	NONE
Treads	✓ STD - VINTAGE RED OAK BAUHAUS	Main Hall	NONE
Risers	✓ STD - VINTAGE RED OAK BAUHAUS	Kitchen	NONE
Runner	NONE	2nd Floor Hall	NONE
Trim			
Baseboard & Casing	✓ STANDARD - COLONIAL		
Front Door Glass	✓ STANDARD		
Interior Doors	✓ UPGRADE - LINCOLN PARK, SMOOTH		
Knobs	STANDARD		
Hinges	STANDARD		
Grip Set	STANDARD		

Notes
PRIMARY ENSUITE- Install 2x2 WHITE Mosaic Floor Tiles and 6" Curb with White Quartz ***SHARED BATH 2/3- Install 2x2 WHITE Mosaic Floor Tiles and 6" Curb with White Quartz ***SHARED BATH #5- Install 2x2 WHITE Mosaic Floor Tiles and 6" Curb with White Quartz

Page 1 of 3

Consultant: Melissa Di Marino

Purchaser: Roshan Shah  
89A7EC120F5E4CE...  
SHAH, ROSHAN, PRABHAKA

Purchaser: Shah, Shital Roshan  
6DBA12FE38034D5...  
SHAH, SHITAL, ROSHAN

Vendor:

**\* INTERIOR COLOUR SCHEME \***



**Purchasers**

SHAH, ROSHAN, PRABHAKA & SHAH, SHITAL, ROSHAN

**Decor Consultant**

Melissa Di Marino

**Model and Elevation**

SILVER POPLAR (40-02A) - ELEV A

**Telephone Res. / Bus**

/

**Project**

Forestside Estates Inc.

**Closing Date**

14/08/2024

**Property**

5

Page 2 of 3

**Interior Paint**

Description

Primary Ensuite	STANDARD - SILVER BIRCH
Shared Bath 2/3	STANDARD - SILVER BIRCH
Shared Bath 5	STANDARD - SILVER BIRCH
Powder Room	STANDARD - SILVER BIRCH
Laundry Room	STANDARD - SILVER BIRCH
Garage Landing	STANDARD - SILVER BIRCH
Kitchen/Breakfast	STANDARD - SILVER BIRCH
Foyer	STANDARD - SILVER BIRCH
Main Hall	STANDARD - SILVER BIRCH
Family Room	STANDARD - SILVER BIRCH
Living Room	STANDARD - SILVER BIRCH
Dining Room	STANDARD - SILVER BIRCH
Den	STANDARD - SILVER BIRCH
Upper Hall	STANDARD - SILVER BIRCH
Master Bedroom	STANDARD - SILVER BIRCH
Bedroom 2	STANDARD - SILVER BIRCH
Bedroom 3	STANDARD - SILVER BIRCH
Bedroom 4	STANDARD - SILVER BIRCH
Bedroom 5	STANDARD - SILVER BIRCH

**Cabinet**

Style

EURO MELAMINE WHITE W100 (STD)
EURO KARISMA - FSHIONISTA L582 (STD)
EURO MELAMINE - WILLOW VELVET SF255 VELVET FINISH (STD)
EURO MELAMINE - FOG GREY SF213 VELVET FINISH (STD)
EURO MELAMINE WHITE W100 (STD)
N/A
EURO KARISMA - THE CHAMELEON L584 (STD)

Countertop

4925K-07 CALCUTTA MARBLE (STD)
7735-58 PORTICO MARBLE (STD)
1876K-52 SPRING CARNIVAL (STD)
3690-58 BASALT SLATE (STD)
949-58 WHITE (STD)
N/A
Emmerstone Calacatta Gold (UPG)

Counter Edge

STANDARD
STANDARD
STANDARD
STANDARD
STANDARD
N/A
M * EDGE (UPG)

Handle / Knob

BP81092-142
9550-BNI
BP81092.142
8104-PC
9531-PC
N/A
BP81092-195

**Appliance Opening/Dimension**

Fridge Size	SEE VILLA LAYOUT	Range	SEE VILLA LAYOUT
Built-Ins	SEE VILLA LAYOUT	Microwave	SEE VILLA LAYOUT
Hood Fan	SEE VILLA LAYOUT	Exhaust Opening	<input checked="" type="radio"/> 6" <input type="radio"/> 8"
Dishwasher Cabinet	SEE VILLA LAYOUT		

**Notes**

**\*\*KITCHEN - KITCHEN SINK - Install Upgrade Undermount Sink Blanco Quatrus R15 U2 Undermount Sink Model #401519 \*\*KITCHEN - KITCHEN FAUCET - MOEN Method Single Handle Pull-Out (Single Hole) Kitchen Faucet - Model # 7585 - Chrome \*\*KITCHEN - Install Upgrade MOEN SOAP DISPENSER - Model #3944 Chrome**

**Fireplace**

Fireplace	<input checked="" type="checkbox"/> FAMILY ROOM	Fireplace	N/A
Location Flooring	<input checked="" type="checkbox"/> 5" HARDWOOD	Location Flooring	N/A
Style	<input checked="" type="checkbox"/> VILLA NOVA	Style	N/A
Finish	STONE	Finish	N/A
Marble	N/A	Marble	N/A
Hearth	<input checked="" type="checkbox"/> UPGRADE - 1.25"	Hearth	N/A

Page 2 of 3

Decor Consultant: Melissa Di Marino

DocuSigned by: Roshan Shah  
89A7EC120F5E4CE...  
SHAH, ROSHAN, PRABHAKA

DocuSigned by: Shah, Shital Roshan  
5DBA12EE3803405  
SHAH, SHITAL, ROSHAN

Vendor:

LOT 3 Forestside (Ph 8)

# BLANCO

\*Kitchen Sink

## Sink Specifications

Colour **SKU**  
satin polish **401519**

QUATRUS R15 U 2  
Stainless steel satin polish

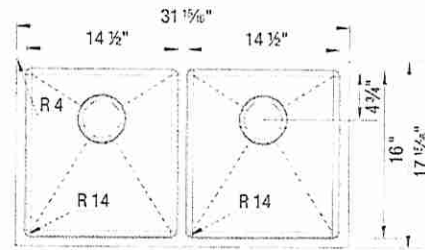


## Design and planning tips

- Min cabinet size: 36 in ( 915 mm )

### Specifications:

3 ½" stainless steel strainer(s), Installation Instructions, Cut-out template, Undermount clips, Limited Lifetime Warranty

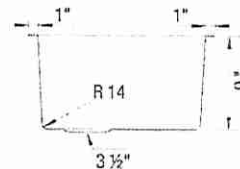
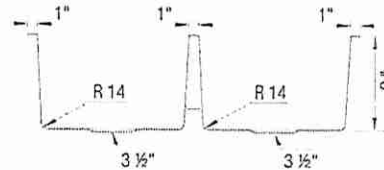


## Codes & Standards

ASME A112.19.3-2017/CSA B45.4-17

## Optional Accessories

~~Ash Cutting Board 406345~~  
~~CapFlow Strainer Cover 517666~~  
~~Sink Grid 233080~~



## Warranty

Limited lifetime warranty on all sinks and faucets. One-year warranty on all accessories and soap dispensers.

## Code/Standards Compliance

BLANCO sinks and faucets are third-party tested and certified to CSA, cUPC, ANSI/ASME, IAPMO and NSF standards and listed by applicable certification bodies. For more information on individual product listings, contact our office or listing organization.



Need support? Learn more by watching our sink & faucet How-to videos:  
<https://www.blanco.com/ca-en/support/how-to-videos/how-to-videos-for-sinks/>



BLANCO Canada Inc  
100 Corporation Drive  
Brampton ON L6S 6B5

## Tel & Fax

Tel: 905-494-2400 Toll free: 1-877-425-2626  
Fax: 905-494-2425 Toll free: 1-877-825-2626

While BLANCO strives to provide accurate information, all images and dimensions in this document are intended for reference only and are subject to change at any time without notice. This document is not intended for use as an installation guide. For technical installation details, refer to installation instructions provided with the product. BLANCO assumes no responsibility for the use of superseded or voided specifications.

Lot 5 Forestside (Ph8)

# Soap Dispensers

\*Kitchen

DS  
RS

DS  
SSR



**Moen® Soap or Lotion Dispenser**

3942

Chrome

Other

Not available in BLS, BG, NL & ORB  
Use model number only for C



**Moen® Soap or Lotion Dispenser**

3944

Chrome

Other

Not available in BLS, BG & NL  
Use model number only for C

## SOAP DISPENSER



**Traditional Soap or Lotion Dispenser**

S3945

Chrome

Other

Not available in BLS



**Paterson™ Soap or Lotion Dispenser**

S3955

Chrome

Other

Not available in BLS, BG, NL & ORB



**Transitional Soap or Lotion Dispenser**

S3948

Chrome

Other

Not available in BLS, BG & NL



**Transitional Soap or Lotion Dispenser**

S3946

Chrome

Other

Black Stainless



**Modern Soap or Lotion Dispenser**

S3947

Chrome

Other

Black Stainless

Not available in NL & ORB

## FINISH OPTIONS



Chrome [C], Spot Resist® Stainless [SRS], LifeShine® Polished Nickel [NL], Black Stainless [BLS], Brushed Gold [BG], Matte Black [BL], Oil Rubbed Bronze [ORB]

To order, combine the model number with one of these finish letter(s):  
Chrome [C], Spot Resist® Stainless [SRS], LifeShine® Polished Nickel [NL], Black Stainless [BLS], Brushed Gold [BG], Matte Black [BL] & Oil Rubbed Bronze [ORB]





*Villa*

KITCHENS & FINE CABINETS LTD

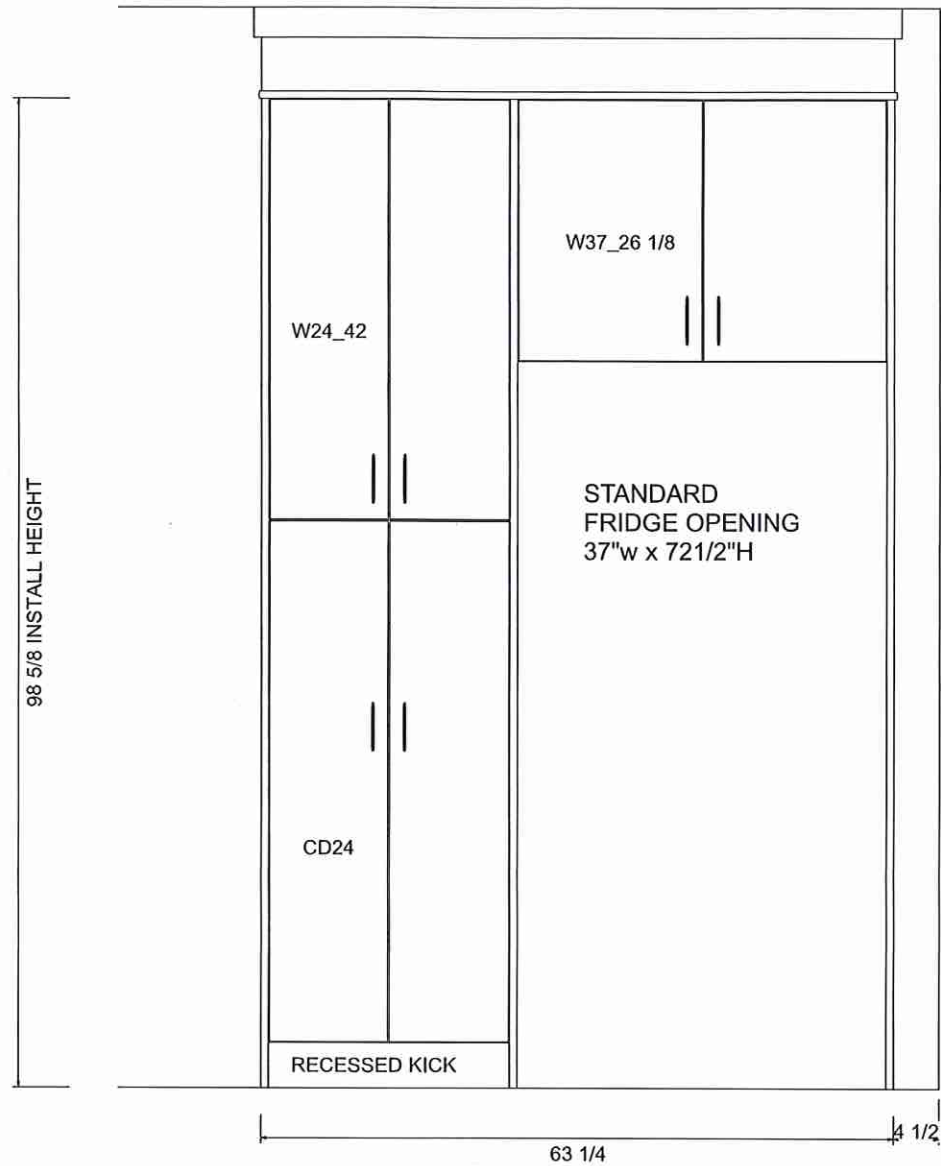
8111 Jane St. Unit 10  
Concord, Ontario L4K 4L7  
Tel. (905) 669-7028  
Fax. (905) 669-7903  
email: designstudio@villakitchens.ca  
www.villakitchens.ca

CLIENT: ROYAL PINE  
PROJECT: FORESTSIDE PH 8  
ADDRESS: RP-FS(8)-LOT 5  
MODEL: 40-02-ELEV A B C

**FRIDGE WALL**

DOOR STYLE: EURO  
DOOR PROFILE: N/A  
DOOR THICKNESS: 3/4"  
DOOR MATERIAL: MELAMINE  
KARISMA  
DOOR FINISH: THE CHAMELEON  
L584  
INTERIOR: WHITE  
CROWN MOLD: LRG EURO  
PAN MOLD: SQUARE  
LIGHT VALANCE: N/A  
INT HW: SOFT CLOSE DRAWERS  
HW:  
INSTALL HEIGHT: 98 5/8"H  
COUNTERTOP:

DRAWN BY: ELISA  
DATE: JULY 06, 2023  
REVISION: DEC 6, 2023  
SCALE:  
PAGE: 2 OF 6



Lot 5 Forestside (Ph8)

# Villa

KITCHENS & FINE CABINETS LTD

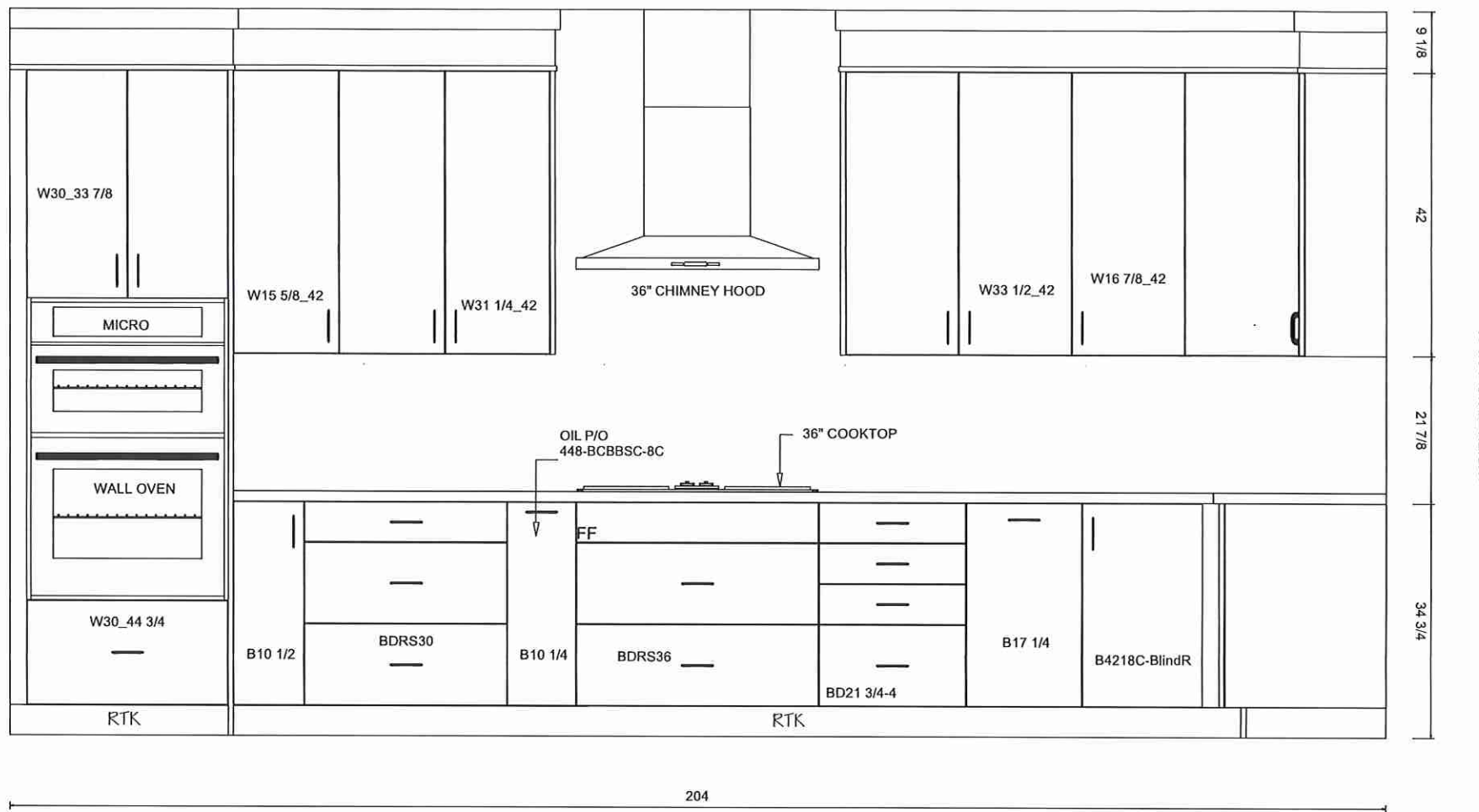
8111 Jane St. Unit 10  
Concord, Ontario L4K 4L7  
Tel. (905) 669-7028  
Fax. (905) 669-7903  
email: designstudio@villakitchens.ca  
www.villakitchens.ca

CLIENT: ROYAL PINE  
PROJECT: FORESTSIDE PH 8  
ADDRESS: RP-FS(8)-LOT 5  
MODEL: 40-02-ELEV A B C

## RANGE WALL

DOOR STYLE: EURO  
DOOR PROFILE: N/A  
DOOR THICKNESS: 3/4"  
DOOR MATERIAL: MELAMINE  
KARISMA  
DOOR FINISH: THE CHAMELEON  
L584  
INTERIOR: WHITE  
CROWN MOLD: LRG EURO  
PAN MOLD: SQUARE  
LIGHT VALANCE: N/A  
INT HW: SOFT CLOSE DRAWERS  
HW:  
INSTALL HEIGHT: 98 5/8"H  
COUNTERTOP:

DRAWN BY: ELISA  
DATE: JULY 06, 2023  
REVISION: DEC 6, 2023  
SCALE:  
PAGE: 3 OF 6



Lot 5 Forestside (Ph8)

*Villa*

KITCHENS & FINE CABINETS LTD

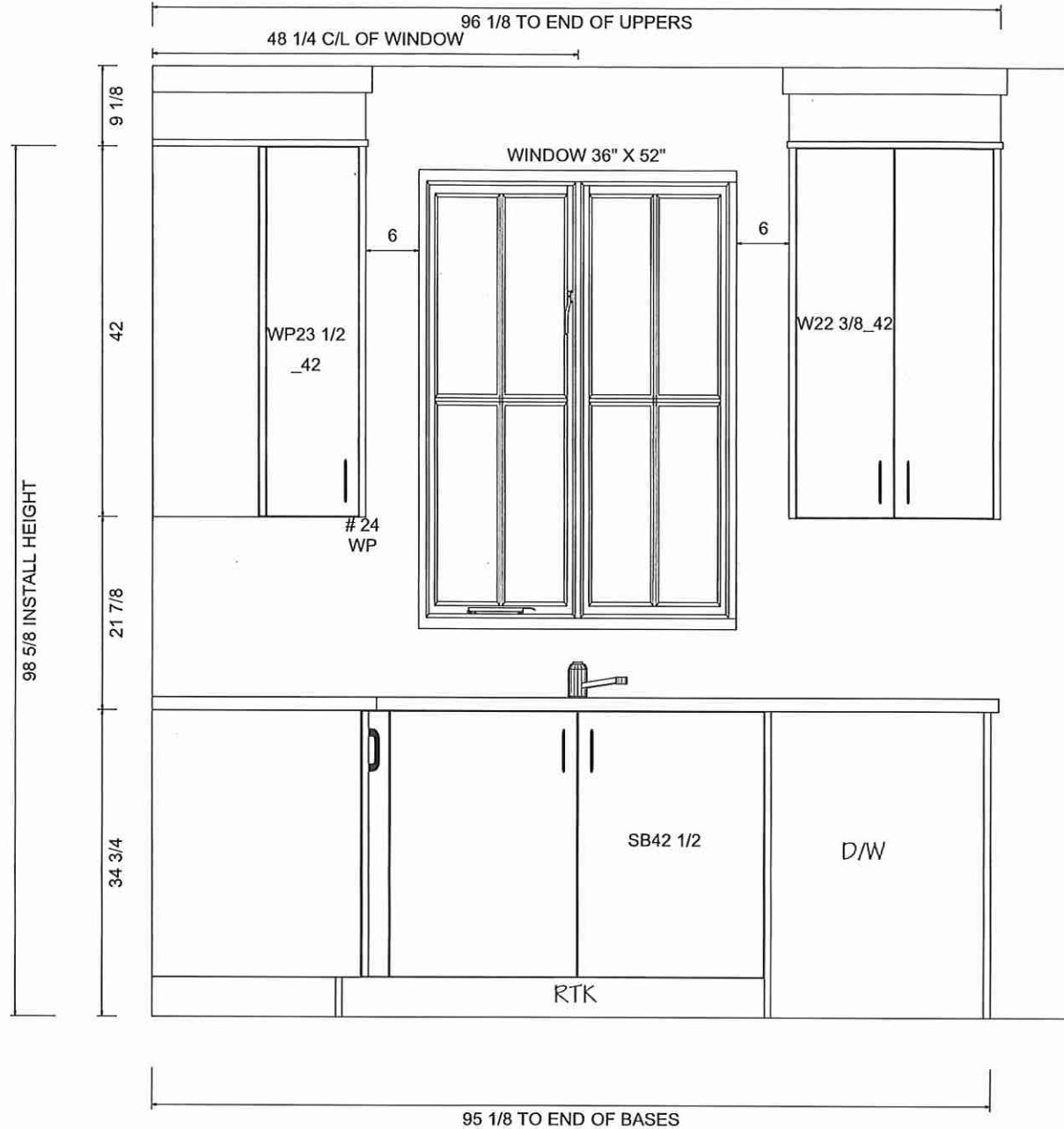
8111 Jane St. Unit 10  
Concord, Ontario L4K 4L7  
Tel. (905) 669- 7028  
Fax. (905) 669 - 7903  
email: designstudio@villakitchens.ca  
www.villakitchens.ca

CLIENT: ROYAL PINE  
PROJECT: FORESTSIDE PH 8  
ADDRESS: RP-FS(8)-LOT 5  
MODEL: 40-02-ELEV A B C

**SINK WALL**

DOOR STYLE: EURO  
DOOR PROFILE: N/A  
DOOR THICKNESS: 3/4"  
DOOR MATERIAL: MELAMINE  
KARISMA  
DOOR FINISH: THE CHAMELEON  
L584  
INTERIOR: WHITE  
CROWN MOLD: LRG EURO  
PAN MOLD: SQUARE  
LIGHT VALANCE: N/A  
INT HW: SOFT CLOSE DRAWERS  
HW:  
INSTALL HEIGHT: 98 5/8"H  
COUNTERTOP:

DRAWN BY: ELISA  
DATE: JULY 06, 2023  
REVISION: DEC 6, 2023  
SCALE:  
PAGE: 4 OF 6



Lot 5 Forestside (Ph8)

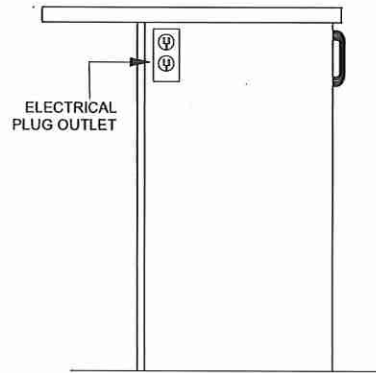
*Villa*

KITCHENS & FINE CABINETS LTD

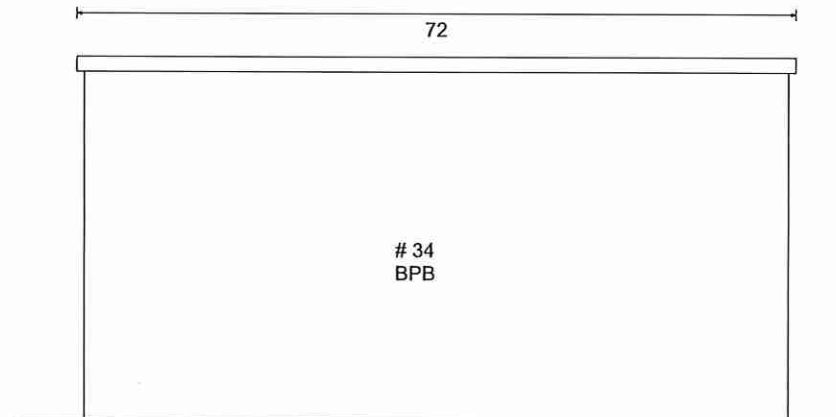
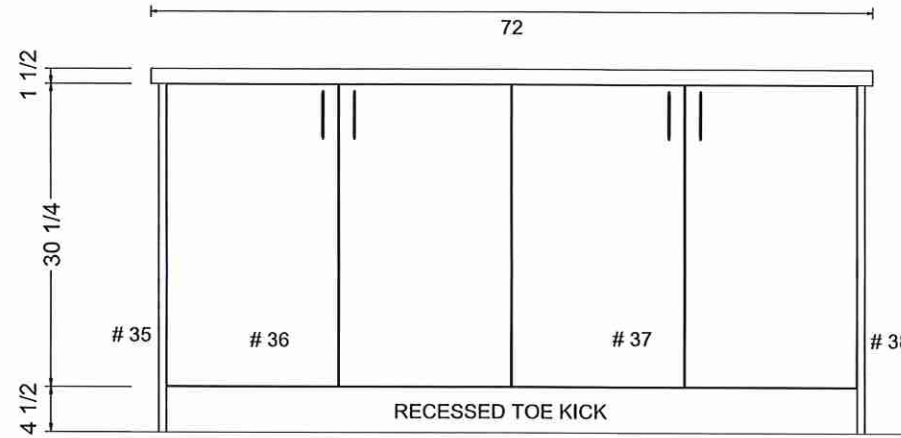
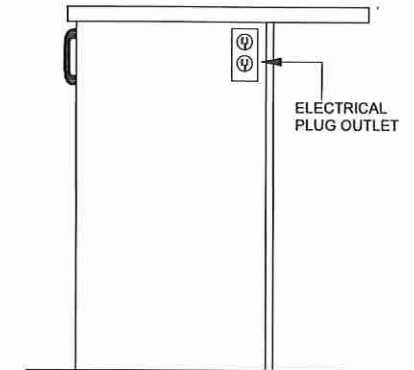
8111 Jane St. Unit 10  
Concord, Ontario L4K 4L7  
Tel. (905) 669- 7028  
Fax. (905) 669 - 7903  
email: designstudio@villakitchens.ca  
www.villakitchens.ca

CLIENT: ROYAL PINE  
PROJECT: FORESTSIDE PH 8  
ADDRESS: RP-FS(8)-LOT 5  
MODEL: 40-02-ELEV A B C

ISLAND



OUTLET LOCATION ON ISLAND TBD  
FOR THE OWNER PRIOR PRODUCTION



DRAWN BY: ELISA  
DATE: JULY 06, 2023  
REVISION: DEC 6, 2023  
SCALE:  
PAGE: 5 OF 6

Lot 5 Forestside (Ph8)

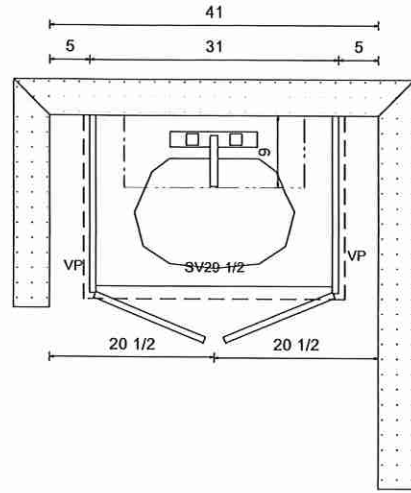
*Villa*

KITCHENS & FINE CABINETS LTD

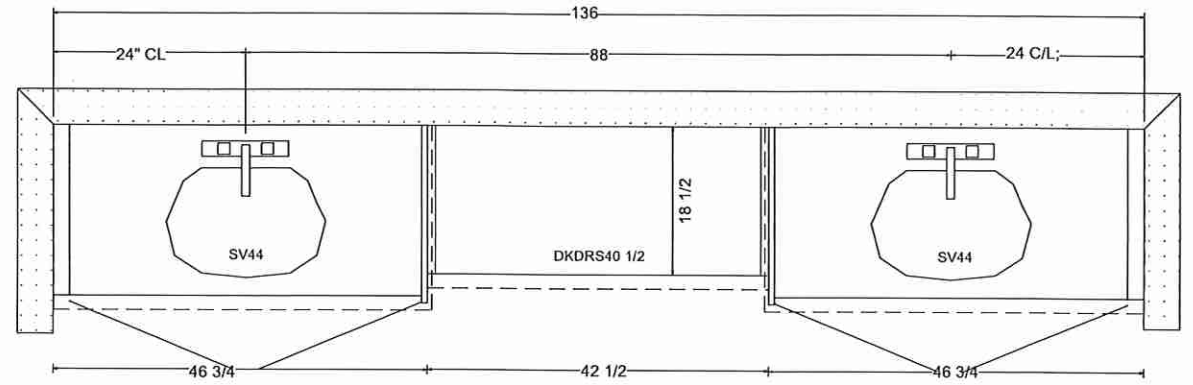
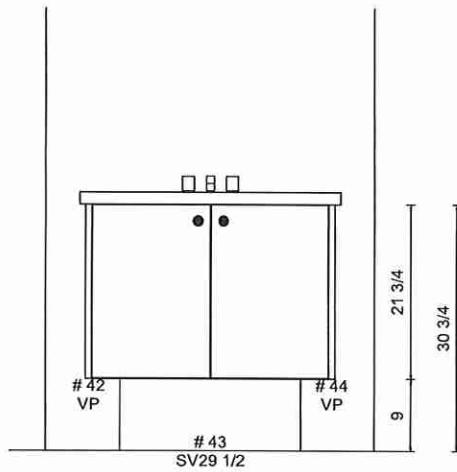
8111 Jane St. Unit 10  
 Concord, Ontario L4K 4L7  
 Tel. (905) 669-7028  
 Fax. (905) 669-7903  
 email: designstudio@villakitchens.ca  
 www.villakitchens.ca

CLIENT: ROYAL PINE  
 PROJECT: FORESTSIDE PH 8  
 ADDRESS:  
 MODEL: 40-02-ELEV A B C

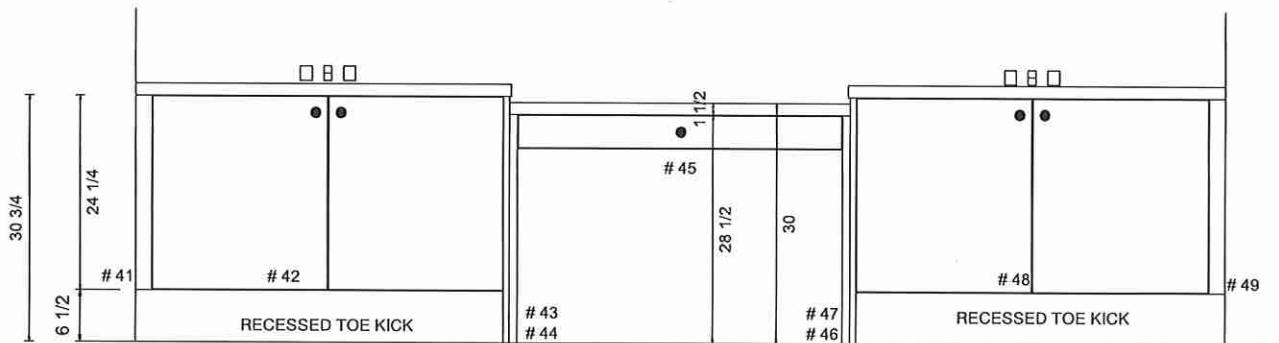
VANITIES



POWDER ROOM



PRIMARY ENSUITE



DRAWN BY: LAI -YEE  
 DATE: JULY 06, 2023  
 REVISION: NOVEMBER 8, 2023  
 SCALE:  
 PAGE: 5 OF 8

Lot 5 Forestside (Ph8)

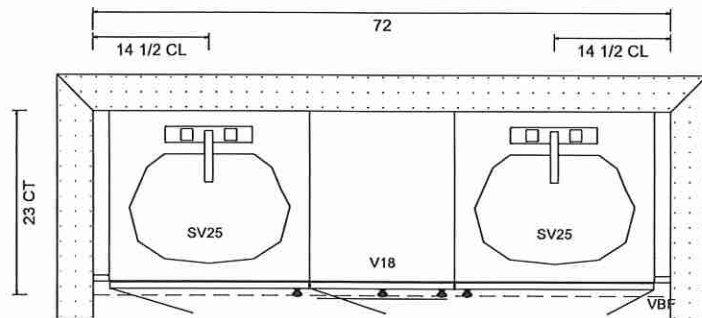
Villa

KITCHENS & FINE CABINETRY LTD

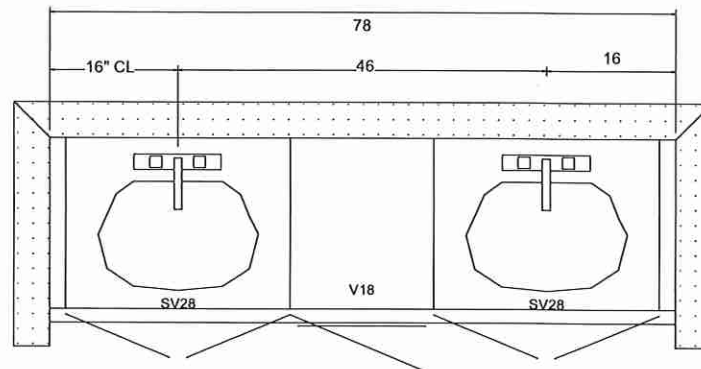
8111 Jane St. Unit 10  
Concord, Ontario L4K 4L7  
Tel. (905) 669-7028  
Fax. (905) 669-7903  
email: designstudio@villakitchens.ca  
www.villakitchens.ca

CLIENT: ROYAL PINE  
PROJECT: FORESTSIDE PH 8  
ADDRESS: RP-FS(8)-LOT 5  
MODEL: 40-02-ELEV A B C

VANITIES

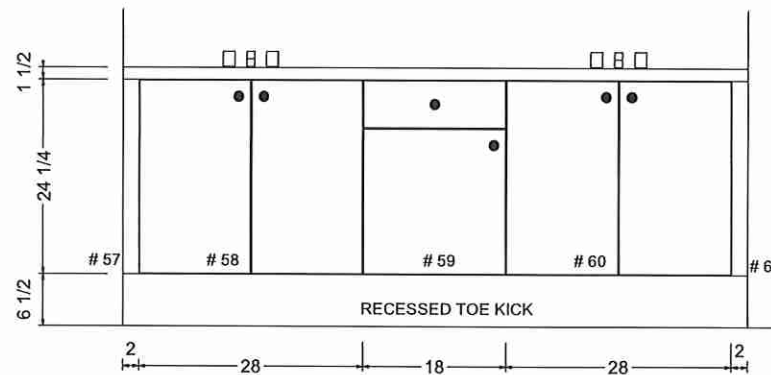
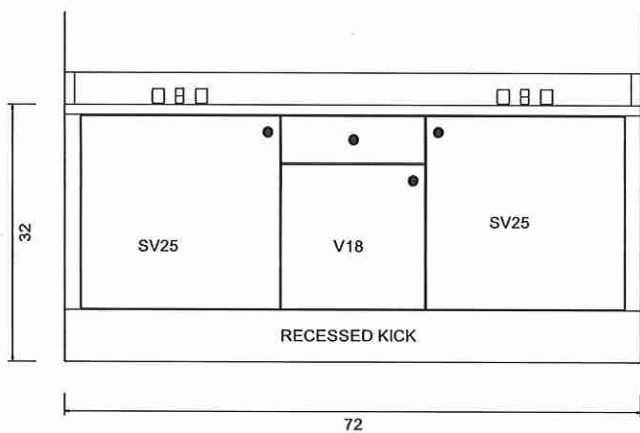


SHARED BATH 4/5



SHARED BATH 2/3 (BED 2 & 3)

SHARED BATH 5 (BED 5 ENS)



DRAWN BY: LAI -YEE  
DATE: JULY 06, 2023  
REVISION: DEC 6, 2023  
SCALE:  
PAGE: 6 OF 6

Lot 5 Forestside (Ph8)

*Villa*

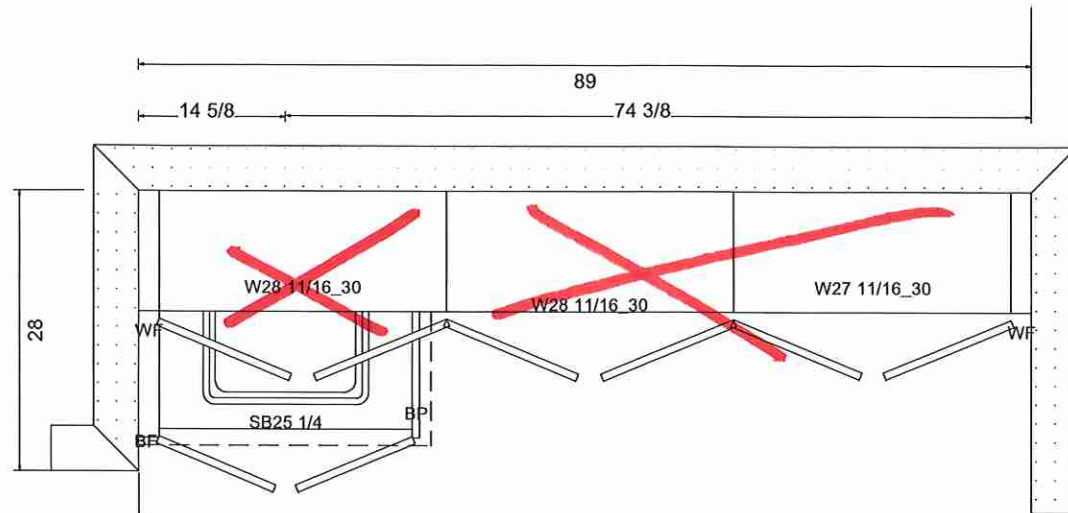
KITCHENS & FINE CABINETS LTD

8111 Jane St. Unit 10  
Concord, Ontario L4K 4L7  
Tel. (905) 669-7028  
Fax. (905) 669-7903  
email: designstudio@villakitchens.ca  
www.villakitchens.ca

CLIENT: ROYAL PINE  
PROJECT: FORESTSIDE PH 8  
ADDRESS:  
MODEL: 40-02-ELEV A B C

LAUNDRY

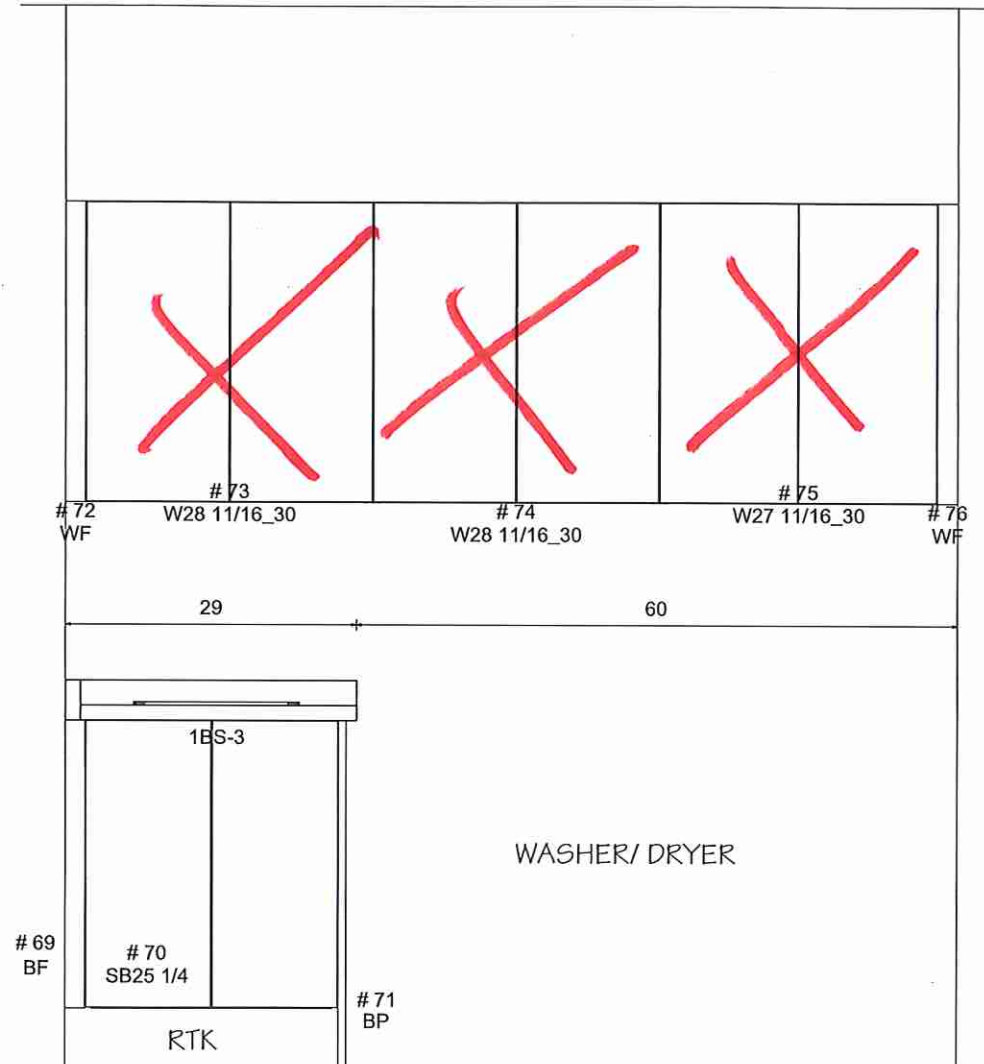
DRAWN BY: LAI -YEE  
DATE: JULY 06, 2023  
REVISION: NOVEMBER 8, 2023  
SCALE:  
PAGE: 7 OF 8



STEP DOWN

LAUNDRY  
UPPERS ARE OPT. MUST BE ON P.O.

NOTE: KITCHEN DEPTH SINK BASE ONLY  
CHECK SINK SPECS



Lot 5 Forestside (Ph8)