



Clarification

PURCHASER'S EXTRAS QUOTATION

The Estates of West River - Phase 1

2185715 Ontario Inc.

PURCHASERS: SURENDER SINGH GHOTRA and MANDEEP GHOTRA

TEL: RES.: 416-454-4417

LOT NUMBER	PHASE	HOUSE TYPE
053	1	ISABELLA-STD MAIN-5 BEDROOM-ELEVATION A

ITEM	EXTRA / CHANGE	QTY	UNIT PRICE	EXTENDED
1 216871	KITCHEN - Purchaser has DECLINED Upgrade of Water Line at the decor centre. Purchaser will accommodate OWN Water Line to fridge AFTER CLOSING. <i>Purchaser accepts & acknowledges that No accommodation will be provided. Vendor is Exempt.</i>	1		
*2 20080 216872	PURCHASER AWARE AND ACCEPTS THAT ANY CHANGES MADE TO UPGRADES AFTER SIGNING THIS PURCHASERS EXTRA FORM ARE SUBJECT TO A MINIMUM ADMINISTRATION FEE OF \$1,000 PLUS A 10% HOLDBACK FEE.	1		



	Sub Total
	HST
	Total

- In the event the work on the house has progressed beyond the point where the items covered by this extra cannot be installed without entailing any unusual expense, then this order is to be cancelled and any deposit paid in connection with the same is to be refunded to the Purchaser.
- The Vendor will undertake to incorporate the work covered by the sales extra in the construction of the house but will not be liable to the purchaser in any way, if for any reason the work covered by the extra is not carried out. In that event, any monies paid in connection with the same shall be returned to the Purchaser.
- It is understood and agreed that if for any reason whatsoever the transaction of Purchase and Sale is not completed, the total cost of extras ordered are not refundable to the Purchaser(s).
- Extras or changes will not be processed unless signed by the Vendor.
- These extras may not be amended without the written consent of 2185715 Ontario Inc..
- The Purchaser(s) and the Vendor acknowledge and agree that this form shall not be deemed to be part of the Agreement of Purchase and Sale entered into between them, nor an addendum thereto.
- No Estimates or orders will be accepted once construction has commenced.
- Prices are estimates only and guaranteed for a period of 5 days only.
- Any cancellations to this order, providing they can be cancelled, are subject to a \$500 minimum administration charge and a 10% cancellation charge for the total amount being cancelled.
- For Visa, Mastercard and Debit payments, transactions are identified on you statement as "SHERWAY CONSTRUCTION LTD", an Authorized Visa /Mastercard/Debit Merchant and authorized Royal Pine Homes company.

Paid By	Amount
Total Payment:	

Bonus Package offering (includes taxes) from Royal Pine Homes Décor Centre is being applied to this order.		
Any remaining balance(s) will be applied accordingly to extras purchased.		
Bonus Package Offering		
<u>Invoice Number</u>	<u>Date</u>	<u>Amount</u>
8250	17-May-22	
Total Bonus Used:		
Remaining Balance:		

PURCHASER: Sunder 07-Sep-22
DocuSigned by: SURENDER SINGH GHOTRA
 DATE

PURCHASER: Mandeep 07-Sep-22
DocuSigned by: MANDEEP GHOTRA
 DATE

VENDOR: [Signature]
 PER: 2185715 Ontario Inc.

TAX#:1

PREPARED BY: Melissa Di Marino
 PRINTED: 7-Sep-22 at 2:13 pm
 RoyInvoiceSQL.rpt 07aug20

PER:	_____
DATE:	_____



SITE COPY

CONSTRUCTION SUMMARY

2185715 Ontario Inc.

PURCHASERS: SURENDER SINGH GHOTRA and MANDEEP GHOTRA

TEL: RES.: 416-454-4417

LOT NUMBER	PHASE	HOUSE TYPE	CLOSING DATE
053	1	ISABELLA-STD MAIN-5 BEDROOM-ELEVATION A	

Date Added: 29-Aug-22

Invoice Number: 8336

1 - Install Standard Cable Rough-Ins (x2) and Install Standard Telephone Rough-Ins (x2) (See Sketch)

Note:

1 - REFER TO PE # 8250, ITEM #10

FAMILY ROOM - Install SIX (6) LED POT LIGHTS with ONE (1) Switch. Each pot light to be installed centred within each square of the waffle ceiling (See Sketch)

Note: **TEN (10) Pot Lights with ONE (1) Switch Included in Standard Features and Finishes**

1 - LIVING ROOM - In addition to builders standard switch operated plugs, Install FOUR (4) LED POT LIGHTS with ONE (1) Seperate Switch at living room (See Sketch)

Note: **TEN (10) Pot Lights with ONE (1) Switch Included in Standard Features and Finishes** - Purchaser Paying for Additional Switch Only

1 - CLARIFICATION;

EXTERIOR - GARAGE DOORS - Install STANDARD Exterior Handle with Lock on Garage Doors

Note:

1 - CLARIFICATION;

LAUNDRY ROOM - Door to laundry room to swing inwards. No Risers required at laundry room entrance from main hall (See Sketch)

Note: As per Fonzie

1 - MAIN FLOOR / 2ND FLOOR - INTERIOR DOORS - Install Upgrade Interrio Doors - LINCOLN PARK - To be installed throughout main floor and 2nd floor, where applicable (See Sketch)

Note:

1 - STAIRCASE VS FLOORING

WOOD SPECIES DIFFERENCE:

STAIRCASE - The purchaser was advised and therefore accepts and acknowledges that the wood species of the staircase and flooring chosen do not match. This difference may result in a stain colour variance.

Note: The purchaser agrees that the vendor is to be exempt from any and all claims by the purchaser regarding this colour variance.

1 - STAIRCASE VS FLOORING

STAINING DIFFERENCE:

STAIRCASE - The purchaser was advised and therefore accepts and acknowledges that the stain of the staircase and flooring chosen do not match. This difference might result in an undesirable colour variance.

Note: The purchaser agrees that the vendor is to be exempt from any and all claims by the purchaser regarding this colour variance.

1 - MAIN FLOOR - FLOORING - TILES - FOYER, LAUNDRY ROOM & KITCHEN / DINETTE - Install UPGRADE #4 - PORCELAIN TILES - 24x24 TIMELESS LIGHT GREY (Polished) in lieu of standard tiles. To Be Installed throughout Foyer, Laundry Room & Kitchen/Dinette,

Note: where applicable. (To be Installed Straight) (See Sketch)

1 - MAIN FLOOR - FLOORING - TILES - MAIN HALL - Install UPGRADE #4 - PORCELAIN TILES - 24x24 TIMELESS LIGHT GREY

(Polished) in lieu of standard hardwood flooring. To Be Installed throughout Main Hall, where applicable (To be Installed Straight) (See Sketch)

Note:

1 - MAIN FLOOR - FLOORING - TILES - POWDER ROOM - Install UPGRADE #2 - PORCELAIN TILES - 12x24 TIMELESS LIGHT GREY

(Polished) in lieu of standard tiles. To Be Installed throughout Powder Room, where applicable

Note: (To be Installed Straight / Stacked) (See Sketch)

1 - KITCHEN / BATHROOMS & LAUNDRY ROOM - SEE QUALITY TOPS & KITCHENS FOR ALL KITCHEN / BATHROOMS & LAUNDRY ROOM UPGRADES / LAYOUTS (See Attached QTK Paperwork)

Note:

1 - KITCHEN - Install ONE (1) ADDITIONAL 120V Rough-In Electrical to accommodate fridge/freezer (See Attached QTK Layout for Locations)

Note: Priced as per Campoli Electric

NOTE: Fridge Area to have 2 Electrical Outlets

1 - KITCHEN - Install Rough-In 50Amp / 240V Wiring for Built-In Double Oven Combo with Speed Oven at Kitchen (See Attached QTK Layout for Location)

Note: Priced as per Campoli Electric



SITE COPY

CONSTRUCTION SUMMARY

2185715 Ontario Inc.

PURCHASERS: SURENDER SINGH GHOTRA and MANDEEP GHOTRA

TEL: RES.: 416-454-4417

LOT NUMBER	PHASE	HOUSE TYPE	CLOSING DATE
053	1	ISABELLA-STD MAIN-5 BEDROOM-ELEVATION A	

Date Added: 29-Aug-22

Invoice Number: 8336

1 - KITCHEN - Delete builders standard upper cabinetry & hood fan at kitchen. (See QTK)
 Accommodate electrical for Insert Style Exhasut Fan that will be installed by the purchaser After Closing
 Note: **Purchaser Accepts & Acknowledges that the vendor will be exempt from any possible damages created by installing their own insert style exhaust fan after closing**

Priced as per Campoli Electric

1 - KITCHEN - COUNTERTOP - Install UPGRADE #2 Stone Countertop - EMMERSTONE BORGHINI ARABESCATO - To be installed throughout kitchen, where applicable (does not include stone backsplash) (See Sketch)
 Note: Priced as per Continental Granite

1 - KITCHEN - COUNTERTOP EDGING - Install UPGRADE " L " EDGE PROFILE - To be installed throughout kitchen countertop, where applicable (See Sketch)
 Note: Priced as per Continental Granite

1 - DISCLAIMER - STONE COUNTERTOP;
 KITCHEN - Stone slabs vary in size & all seams are visible & the fabricator reserves the right to position the seams as necessary.
 Note:

1 - KITCHEN - Accommodate Upgrade Stone Countertop for PRO-Series Cook-Top Cut-Out at kitchen (See QTK Layout)
 Note: Priced as per Continental Granite

1 - KITCHEN - KITCHEN SINK - Install Upgrade Undermount Sink - BLANCO Quatrus R15 U2 Undermount Sink - Model #401519 (See Sketch)
 Note:

1 - KITCHEN - KITCHEN FAUCET - Install Builders Standard Faucet - MOEN Method Single Handle Pull-Out (Single Hole) Kitchen Faucet - Model # 7585 - Chrome
 Note:

1 - KITCHEN - Install POT FILLER FAUCET - MOEN - Modern Two Handle Pot Filler Faucet with Dual Shut Offs - Model #S665-Chrome (See Sketch)
 Note:

1 - MASTER ENSUITE - FLOORING - Install UPGRADE #3 - PORCELAIN TILES - 12x24 TIMELESS WHITE (POLISHED) - To be installed throughout master ensuite floor, where applicable (To be Installed Straight/Stacked) (See Sketch)
 Note:

1 - POWDER ROOM - COUNTERTOP - Install UPGRADE #2 Stone Countertop - EMMERSTONE BORGHINI ARABESCATO with A " EDGE PROFILE - To be installed throughout powder room vanity, where applicable (Includes 3" Splash) (See Sketch)
 Note:

1 - MASTER ENSUITE - COUNTERTOP - Install Builders Standard Stone Countertop - EMMERSTONE MAPLE WHITE with A " EDGE PROFILE - To be installed throughout master ensuite vanity, where applicable (Includes 3" Splash) (See Sketch)
 Note:

1 - TWIN BATH 2/3 - COUNTERTOP - Install Builders Standard Stone Countertop - EMMERSTONE VANILLA WHITE with A " EDGE PROFILE - To be installed throughout twin bath 2/3 vanity, where applicable (Includes 3" Splash) (See Sketch)
 Note:

1 - BATH #4- COUNTERTOP - Install Builders Standard Stone Countertop - EMMERSTONE VANILLA WHITE with A " EDGE PROFILE - To be installed throughout bath #4 vanity, where applicable (Includes 3" Splash) (See Sketch)
 Note:

1 - DISCLAIMER - STONE COUNTERTOP;
 POWDER ROOM, MASTER ENSUITE, TWIN BATH 2/3 & BATH #4 - Stone slabs vary in size & all seams are visible & the fabricator reserves the right to position the seams as necessary.
 Note:



SITE COPY

CONSTRUCTION SUMMARY

2185715 Ontario Inc.

PURCHASERS: SURENDER SINGH GHOTRA and MANDEEP GHOTRA

TEL: RES.: 416-454-4417

LOT NUMBER	PHASE	HOUSE TYPE	CLOSING DATE
053	1	ISABELLA-STD MAIN-5 BEDROOM-ELEVATION A	

Date Added: 29-Aug-22

Invoice Number: 8336

<p>1 - POWDER ROOM - VANITY SINK - Install Upgrade Undermount Sink - CONTRAC - EMERY Undermount Sink - Model # 4220-CGY - White (x1 Sink) (See Sketch) Note: **To be Installed with Builders Standard Faucet**</p>
<p>2 - MASTER ENSUITE - VANITY SINK - Install Upgrade Undermount Sink - CONTRAC - EMERY Undermount Sink - Model # 4220-CGY - White (x2 Sink) (See Sketch) Note: **To be Installed with Builders Standard Faucets**</p>
<p>2 - TWIN BATH 2/3 - VANITY SINK - Install Upgrade Undermount Sink - CONTRAC - CATENA Undermount Sink - Model # 4210-CIY - White (x2 Sink) (See Sketch) Note: **To be Installed with Builders Standard Faucets**</p>
<p>2 - BATH #4 - VANITY SINK - Install Upgrade Undermount Sink - CONTRAC - CATENA Undermount Sink - Model # 4210-CIY - White (x2 Sink) (See Sketch) Note: **To be Installed with Builders Standard Faucets**</p>
<p>1 - MASTER ENSUITE - SHOWER - Install TOE TESTER to Standard Plumbing at Master Ensuite Shower Stall - MOEN CHATEAU - Model #TL183EP/62320 - Chrome (See Sketch) Note:</p>
<p>1 - TWIN BATH 2/3 - SHOWER - Install TOE TESTER to Standard Plumbing at Twin Bath 2/3 Shower Stall - MOEN CHATEAU - Model #TL183EP/62320 - Chrome (See Sketch) Note:</p>
<p>1 - BATH #4 - SHOWER - Install TOE TESTER to Standard Plumbing at Bath #4 Shower Stall - MOEN CHATEAU - Model #TL183EP/62320 - Chrome (See Sketch) Note:</p>
<p>1 - PURCHASER HAS ATTENDED A COLOR APPOINTMENT AT THE DECOR CENTRE AND HAS DECLINED ANY ADDITIONAL UPGRADES. Purchaser accepts and acknowledges that there will be no further changes/additions/deletions to be made upon signing on AUGUST 29, 2022 Note:</p>
<p>1 - PURCHASER AWARE AND ACCEPTS THAT ANY CHANGES MADE TO UPGRADES AFTER SIGNING THIS PURCHASERS EXTRA FORM ARE SUBJECT TO A MINIMUM ADMINISTRATION FEE OF \$1,000 PLUS A 10% HOLDBACK FEE. Note:</p>

Date Added: 17-May-22

Invoice Number: 8250

<p>2 - BASEMENT WINDOWS - Install Larger Basement Windows in lieu of builders standard 30"x16". Install TWO (2) 30"x24" Basement Windows (with possible window wells) at Rear Elevation (See Sketch) Note:</p>
<p>3 - BASEMENT WINDOWS - Install Larger Basement Windows in lieu of builders standard 30"x16". Install THREE (3) 36"x24" Basement Windows (with possible window wells) at Side Elevations (See Sketch) Note:</p>
<p>1 - BASEMENT WINDOWS - In addition to basement windows, Install ONE (1) 36"x 24" Basement Windows (with possible window wells) at Side Elevation (See Sketch) Note:</p>
<p>1 - FRONT EXTERIOR - DOORS - Install EXTENDED HEIGHT Double Front Doors (Delete Transom Window Above) (See Sketch) Note:</p>
<p>1 - SIDE EXTERIOR - Install OPTIONAL SIDE DOOR Entrance (Includes Applicable Exterior Coach Light) (See Sketch) Note:</p>



SITE COPY

CONSTRUCTION SUMMARY

2185715 Ontario Inc.

PURCHASERS: SURENDER SINGH GHOTRA and MANDEEP GHOTRA

TEL: RES.: 416-454-4417

LOT NUMBER	PHASE	HOUSE TYPE	CLOSING DATE
053	1	ISABELLA-STD MAIN-5 BEDROOM-ELEVATION A	

Date Added: 17-May-22

Invoice Number: 8250

<p>1 - BACK EXTERIOR - KITCHEN - Install EXTERIOR DOUBLE FRENCH DOORS (Plain Glass + No Screen) to Backyard in lieu of standard patio sliders (See Sketch) Note:</p>
<p>1 - KITCHEN - EXHAUST DUCT - Install UPGRADE 8" EXHAUST DUCT in lieu of builder standard 6" exhaust duct at kitchen (See Sketch) Note:</p>
<p>1 - GARAGE - Relocate Central Vac Trunk Rough-In to Garage in lieu of Basement (Location to be Determined By Vendor) Note:</p>
<p>1 - LIVING ROOM / DINING ROOM - Install OPTIONAL COFFERED CEILING - To be installed at perimeter of living room / dining room (See Sketch) Note:</p>
<p>1 - FAMILY ROOM - Install WAFFLE CEILING in the Family Room. To Include; 6 Squares, TIC164 Moulding & 1 Pot Light centred within each square (See Sketch) Note: **Delete the builders standard ceiling light** **All SIX (6) Pot Lights to be on ONE (1) Single Pole Switch** **Please Note: SIX (6) Pot Lights have not been charged as the purchaser receives TEN (10) standard pot lights as per the Features and Finishes List **Purchaser has Remaining FOUR (4) Pot Lightd to be located at time of decor appointment**</p>
<p>1 - SECOND FLOOR - BEDROOMS - Install UPGRADE SMOOTH CEILINGS - To be installed throughout second floor bedrooms, where applicable. To Include; Primary Bedroom, Bedroom #2, Bedroom #3, Bedroom #4 and Bedroom #5 (See Sketch) Note:</p>
<p>1 - TWIN BATH 2/3- Delete builders standard tub/shower enclosure. Install SHOWER STALL at twin bath 2/3 (To Include; 2x2 Mosaic Floor, 6" Curb with Stone, Shower Pot Light & Glass Shower Stall Panels {U-Channel "KAMELEON"}) (See Sketch) Note: **Colour of Mosaics to be Determined During Decor Appointment**</p>
<p>1 - TWIN BATH 4/5- Delete builders standard tub/shower enclosure. Install SHOWER STALL at twin bath 4/5 (To Include; 2x2 Mosaic Floor, 6" Curb with Stone, Shower Pot Light & Glass Shower Stall Panels {U-Channel "KAMELEON"}) (See Sketch) Note: **Colour of Mosaics to be Determined During Decor Appointment**</p>
<p>1 - KITCHEN - Install POT FILLER ROUGH-IN above Stove at Kitchen **(Does NOT Include Fixture)** (See Sketch) Note: **QTK To Provide Location of Pot Filler Rough-In**</p>
<p>1 - KITCHEN - Install GAS LINE ROUGH-IN (Includes Additional Applicable Electrical) to stove area of kitchen (See Sketch) Note:</p>
<p>1 - FRONT EXTERIOR - In addition to builders standard exterior coach light, Install ONE (1) ADDITIONAL EXTERIOR COACH LIGHT at double front doors (See Sketch) Note: **Front Door to have TWO (2) Exterior Coach Lights controlled by ONE (1) Single Pole Switch**</p>
<p>1 - BONUS PACKAGE - PURCHASER HAS APPLIED \$20,000.00 (Includes Taxes) WORTH OF UPGRADE PROMOTIONAL PACKAGE TOWARDS THE PURCHASE OF STRUCTURAL UPGRADES COMPLETED AT THE DECOR CENTRE Note:</p>
<p>1 - PURCHASER HAS ATTENDED A STRUCTURAL APPOINTMENT AT THE DESIGN STUDIO AND HAS DECLINED ANY ADDITIONAL UPGRADES. Purchaser accepts and acknowledges that there will be no further structural changes/additions/deletions to be made upon signing on MAY 13,2022 Note:</p>
<p>1 - PURCHASER AWARE AND ACCEPTS THAT ANY CHANGES MADE TO UPGRADES AFTER SIGNING THIS PURCHASERS EXTRA FORM ARE SUBJECT TO A MINIMUM ADMINISTRATION FEE OF \$1,000 Note:</p>




* INTERIOR COLOUR SCHEME *

Purchasers SURENDER SINGH GHOTRA & MANDEEP GHOTRA	Decor Consultant Melissa Di Marino	Model and Elevation ISABELLA-STD MAIN-5 BEDROOM-ELEVATION A	Telephone Res. / Bus (416) 454-4417 /	Project 2185715 Ontario Inc.	Closing Date	Property 053
---	--	---	---	--	---------------------	------------------------

Page 1 of 3


	Flooring	Wall Tile			Plumbing
	<u>Description</u>	<u>Main</u>	<u>Accent/Insert</u>	<u>Border / Listello</u>	<u>Pattern</u>
Master Ensuite	✓ 12x24 TIMELESS WHITE (Polished) (UPG)	✓ 8x10 UNIWALL WHITE GLOSSY (STD)	NONE	NONE	WHITE
Twin Bath 2/3	✓ 13x13 MALENA ICE (STD)	✓ 8x10 MALENA ICE (STD)	NONE	NONE	WHITE
Bath #4	✓ 13x13 MALENA ICE (STD)	✓ 8x10 MALENA ICE (STD)	NONE	NONE	WHITE
Powder Room	✓ 12x24 Timeless Light Grey(Polished) (Straight) (UPG)	N/A	N/A	N/A	WHITE
Laundry Room	✓ 24x24 Timeless Light Grey(Polished) (Straight) (UPG)	N/A	N/A	N/A	STD
Kitchen/Dinette	✓ 24x24 Timeless Light Grey(Polished) (Straight) (UPG)	NONE	N/A	N/A	SeeNotes
Foyer	✓ 24x24 Timeless Light Grey(Polished) (Straight) (UPG)	Railings and Stairs			Cornice Moulding / Medallion
Main Hall	✓ 24x24 Timeless Light Grey(Polished) (Straight) (UPG)	Railings ✓ STD-OVAL-Vintage Red Oak COCOA	Landing - Upper ✓ 3 1/4" Vintage Red Oak Cocoa	Foyer NONE	
Family Room	✓ 3 1/4" X 3/4" Vintage Red Oak Cocoa (Pearl) (STD)	Pickets ✓ STD-Steel 1/2" Square Plain - Flat Black	Landing - Lower ✓ 3 1/4" Vintage Red Oak Cocoa	Living Room NONE	
Living Room	✓ 3 1/4" X 3/4" Vintage Red Oak Cocoa (Pearl) (STD)	Posts ✓ STD-3 1/2" Square with Cap-Vintage Cocoa	Ledge - Upper N/A	Dining Room NONE	
Dining Room	✓ 3 1/4" X 3/4" Vintage Red Oak Cocoa (Pearl) (STD)	Stringers ✓ STD - VINTAGE RED OAK COCOA	Ledge - Lower N/A	Family Room NONE	
Den	✓ 3 1/4" X 3/4" Vintage Red Oak Cocoa (Pearl) (STD)	Treads ✓ STD - VINTAGE RED OAK COCOA		Main Hall NONE	
		Risers ✓ STD - VINTAGE RED OAK COCOA		Kitchen NONE	
		Runner NONE		2nd Floor Hall NONE	
		Trim			
Upper Hall	✓ BROADLOOM - Opening Night 4002-03 (STD)	Baseboard & Casing STANDARD - MODERN (Step Bevel)	Knobs STANDARD		
		Front Door Glass STANDARD	Hinges STANDARD		
		Interior Doors ✓ UPGRADE - LINCOLN PARK	Grip Set STANDARD		
Primary Bedroom	✓ BROADLOOM - Opening Night 4002-03 (STD)	Notes			
Bedroom 2	✓ BROADLOOM - Opening Night 4002-03 (STD)	**MASTER ENSUITE-Install 2x2 White Mosaic Floor Tiles & 6" Curb with White Quartz **TWIN BATH 2/3-Install 2x2 White Mosaic Floor Tiles & 6" Curb with White Quartz **BATH #4-Install 2x2 White Mosaic Floor Tile & 6" Curb with White Quartz			
Bedroom 3	✓ BROADLOOM - Opening Night 4002-03 (STD)				
Bedroom 4	✓ BROADLOOM - Opening Night 4002-03 (STD)				
Bedroom 5	✓ BROADLOOM - Opening Night 4002-03 (STD)				

Page 1 of 3

Consultant: 
Melissa Di Marino

Purchaser: 
SURENDER SINGH GHOTRA

Purchaser: 
MANDEEP GHOTRA

Vendor: 
2185715 Ontario Inc.



* INTERIOR COLOUR SCHEME *

Purchasers SURENDER SINGH GHOTRA & MANDEEP GHOTRA	Decor Consultant Melissa Di Marino	Model and Elevation ISABELLA-STD MAIN-5 BEDROOM-ELEVATION A	Telephone Res. / Bus (416) 454-4417 /	Project 2185715 Ontario Inc.	Closing Date	Property 053
---	--	---	---	--	---------------------	------------------------

Page 2 of 3

	Interior Paint
	<u>Description</u>
Master Ensuite	STANDARD - SILVER BIRCH
Twin Bath 2/3	STANDARD - SILVER BIRCH
Bath #4	STANDARD - SILVER BIRCH
Powder Room	STANDARD - SILVER BIRCH
Laundry Room	STANDARD - SILVER BIRCH
Kitchen/Dinette	STANDARD - SILVER BIRCH
Foyer	STANDARD - SILVER BIRCH
Main Hall	STANDARD - SILVER BIRCH
Family Room	STANDARD - SILVER BIRCH
Living Room	STANDARD - SILVER BIRCH
Dining Room	STANDARD - SILVER BIRCH
Den	STANDARD - SILVER BIRCH
Upper Hall	STANDARD - SILVER BIRCH
Primary Bedroom	STANDARD - SILVER BIRCH
Bedroom 2	STANDARD - SILVER BIRCH
Bedroom 3	STANDARD - SILVER BIRCH
Bedroom 4	STANDARD - SILVER BIRCH
Bedroom 5	STANDARD - SILVER BIRCH

Cabinet	<u>Style</u>	<u>Countertop</u>	<u>Counter Edge</u>	<u>Handle / Knob</u>
	SEE ATTACHED QTK PAPERWORK	<input checked="" type="checkbox"/> Emmerstone Maple White (STD)	<input checked="" type="checkbox"/> A " EDGE (STD)	SEE QTK
	SEE ATTACHED QTK PAPERWORK	<input checked="" type="checkbox"/> Emmerstone Vanilla White (STD)	<input checked="" type="checkbox"/> A " EDGE (STD)	SEE QTK
	SEE ATTACHED QTK PAPERWORK	<input checked="" type="checkbox"/> Emmerstone Vanilla White (STD)	<input checked="" type="checkbox"/> A " EDGE (STD)	SEE QTK
	SEE ATTACHED QTK PAPERWORK	<input checked="" type="checkbox"/> Emmerstone Borghini Arabescato (UPG)	<input checked="" type="checkbox"/> A " EDGE (STD)	SEE QTK
	SEE ATTACHED QTK PAPERWORK	SEE QTK PAPERWORK	SEE QTK PAPERWORK	SEE QTK
	SEE ATTACHED QTK PAPERWORK	<input checked="" type="checkbox"/> Emmerstone Borghini Arabescato (UPG)	<input checked="" type="checkbox"/> L " EDGE (UPG)	SEE QTK

Appliance Opening/Dimension

Fridge Size Range

Built-Ins Microwave

Hood Fan Exhaust Opening 6" 8"

Dishwasher Cabinet

Notes

**KITCHEN - KITCHEN SINK - Install Upgrade Undermount Sink - Blanco Quatrus R15 U2 #401519

**KITCHEN - KITCHEN FAUCET - Install Standard Faucet - Moen Method Pull-Out Single Hole Model #7585-Chrome

Fireplace

Fireplace	<input checked="" type="checkbox"/> FAMILY ROOM	Fireplace	<input type="text" value="N/A"/>
Location Flooring	<input checked="" type="checkbox"/> 3 1/4" HARDWOOD	Location Flooring	<input type="text" value="N/A"/>
Style	<input checked="" type="checkbox"/> VILLA NOVA	Style	<input type="text" value="N/A"/>
Finish	<input type="text" value="STONE"/>	Finish	<input type="text" value="N/A"/>
Marble	<input type="text" value="N/A"/>	Marble	<input type="text" value="N/A"/>
Hearth	<input type="text" value="NONE"/>	Hearth	<input type="text" value="N/A"/>

Page 2 of 3

Decor Consultant: Melissa Di Marino

Purchaser: SURENDER SINGH GHOTRA

Purchaser: MANDEEP GHOTRA

Vendor:

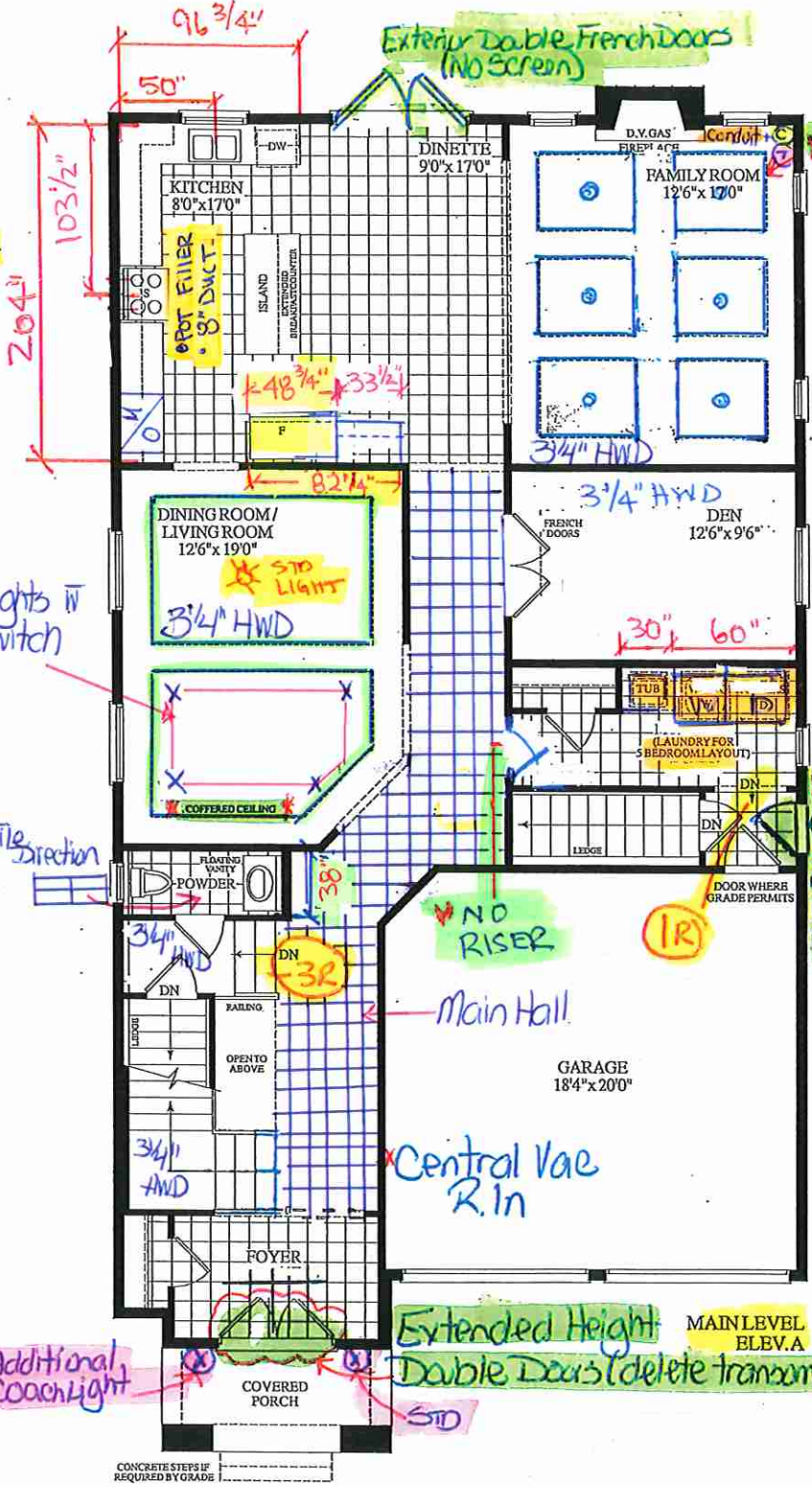
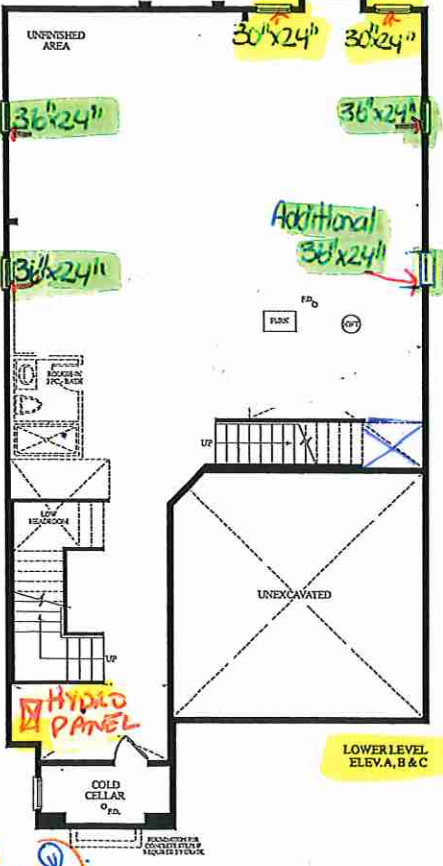
cable (C) (x2)
 Telephone - (T) (x2)
 Conduit (x1)

* KITCHEN:
 • GAS LINE RIN
 • POT FILLER
 • 8" DUCT

(A) (M)

4 Pot Lights w/
 1 switch

Additional
 36"x24"



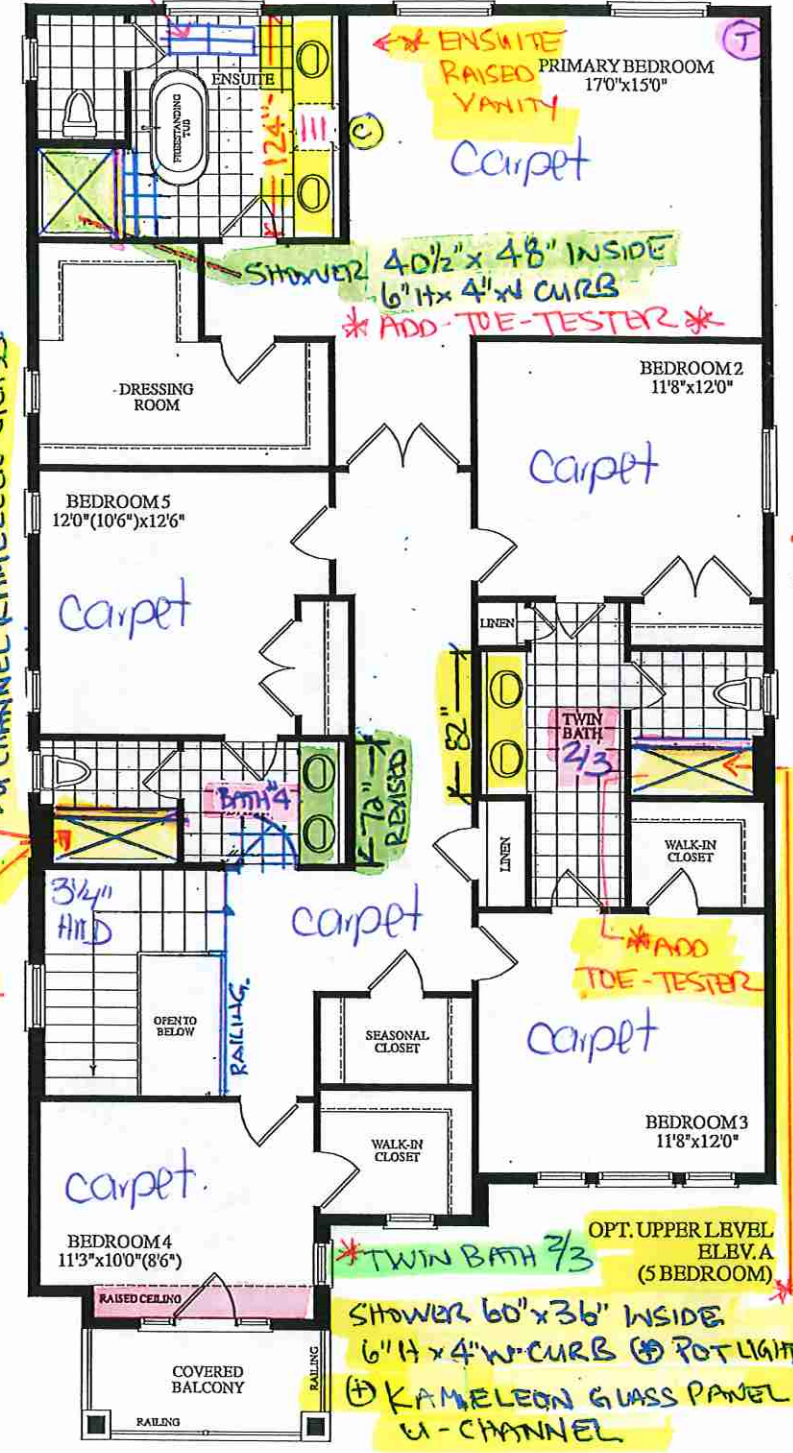
Smooth Ceilings Throughout Bedrooms

* Waffle Ceiling
 65 squares

* Tile Direction

Shower 60" x 33 1/2" INSIDE
 6" H x 4" W CURB + POT LIGHT
 1/4" CHANNEL KAMELEON GLASS

* ADD TOE-TESTER



* TWIN BATH 7/3
 Shower 60" x 36" INSIDE
 6" H x 4" W CURB + POT LIGHT
 + KAMELEON GLASS PANEL
 1/4" CHANNEL

UPG. REAR ELEVATION

3460 SQ. FT. ELEV. A
 LOT 53 - Isabella - 40-06 - STANDARD MAIN - 5 BEDROOM





your kitchen, your taste.

PURCHASE AGREEMENT FORM

Quality Tops & Kitchens Ltd.
 80 Sante Drive, Vaughan, ON L4K 3C4
 T 416.746.1811 F 905.761.5901
 www.QTK.ca info@qtk.ca

PURCHASER:		CONTRACTOR:	2185715 ONTARIO INC.	
ADDRESS:		SITE:	WEST RIVER VALLEY PH1, BRAMPTON	
EMAIL:		MODEL TYPE:	40-06	
PHONE #:		LOT #:	53 WRV	
PHONE #:		DATE:	Jul 27, 2022	ZSX22062403

The purchaser agrees to buy and Quality Tops & Kitchens Ltd. (QTK) agrees to sell and provide for the purchaser the following articles listed herein and with attached drawing in accordance to the terms and conditions described on the reverse of this agreement form.

ROOM	DESCRIPTION	CATEGORY
KITCHEN	DOOR STYLE: QT 4801 NONE FINISH: SILVER GREY SPECIES: FIBERBOARD DOOR HARDWARE: DRW HARDWARE: COUNTER TOP: Counter Top by Others	Category 4

ITEM #	QTY	DESCRIPTION	PRICE
PF-CKT	1	PROF SERIES COOK-TOP w/ FRONT BUTTONS & POT DRWS w/ BLUM ANTARO WHITE	
BDO2696	1	BUILT-IN DOUBLE OVEN w/ WOOD DRAWER(S) BELOW - 26" D x 95-1/2"H	
BGB4	1	3 BIN PULL-OUT RECYCLE UNIT - 24" WIDE CABINET. 2 x 35 L BINS FOR GARBAGE & RECYLCING + 1 x 21 L COMPOST BIN.	
BCR-MC1	1	MAGIC CORNER 1 PULL-OUT UNIT w/ 4 S.S. ANTI-SLIP BASKETS	
PF2696	1	BUILT-IN FOR PROFESSIONAL SERIES FRIDGES 26" DEEP x 95-1/2"H	
BSPICE2	2	PULL-OUT SPICE UNIT - 2 BASKETS 6" W, 8" W, 12" W or 15-1/2" W	
CUST-1	1	CONVERT STD. 4 BANK OF DRAWERS INTO 1 SET OF POT DRAWER (1 SMALL , 2 DEEP) W/ PREMIUM MOTION SLIDES	
CUST-2	1	1 SET OF POT DRAWER PD/3 (1 SMALL , 2 BIG DRAWERS) w/ PREMIUM MOTION SLIDES	
CUST-3	1	48"-54" WIDE LA POSITANO CANOPY	
CUST-4	1	EXTENDED HEIGHT CABINETRY TO CEILING INCL. 52" HIGH UPPERS (SINGLE DOOR) w/ TRIPLE STEP CM J82-MLD 700 CROWN MOULDING TO CEILING - 108" HIGH MOUNTING HEIGHT & 120" OVERALL	
CUST-5	1	INCREASE DEPTH OF ISLAND CABINETS TO 24", INC. 2 1/4" x 34-1/2" DEEP DD GABLES, 36" DEEP COUNTER OVERALL BY OTHERS	
CUST-6	1	CATEGORY 4 DOOR STYLE AND FINISH: QTF 3801 SILVER GREY PT (FIBERBOARD)	
CUST-7	1	CATEGORY 3 HARDWARE DH07750 & DH09360 (STACKED UPPERS)	
CUST-8	5	CLEAR GLASS, CLEAN CUT TO STACK UPPERS	
CUST-9	3	INCREASE BASE CABINETS ON COOKTOP WALL TO 26" IN DEPTH	
CUST-10	1	TWO TONE KITCHEN: CATEGORY 4 QTF 3801 SLATE GREY PT (FIBERBOARD)	
CUST-11	1	ADD RESTRICTOR CLIPS TO ALL CABINETS - AS PER DRAWING NOTES	
ROOM SUMMARY:			

ROOM	DESCRIPTION	CATEGORY
ENSUITE VANITY	DOOR STYLE: QT 4801 NONE FINISH: SLATE GREY SPECIES: FIBERBOARD DOOR HARDWARE: DRW HARDWARE: COUNTER TOP: Counter Top by Others	Category 3

ITEM #	QTY	DESCRIPTION	PRICE
VB-RAISE8	3	RAISE VANITY HEIGHT TO 34-1/2" - PER VANITY (>61" LONG)	
CUST-1	1	CATEGORY 2 DOOR STYLE AND FINISH: QTF 3801 SLATE GREY PT (FIBERBOARD)	
CUST-2	1	CATEGORY 3 HARDWARE: DH10040	
CUST-3	1	CONVERT TOP DRAWER INTO 1 SET OF DRAWER PD/3 (1 SMALL , 2 BIG DRAWERS) w/ PREMIUM MOTION SLIDES	
ROOM SUMMARY:			

CUSTOMER INITIALS *MB* CUSTOMER INITIALS *MB*



your kitchen. your taste.

Quality Tops & Kitchens Ltd.
 80 Sante Drive, Vaughan, ON L4K 3C4
 T 416.746.1811 F 905.761.5901
 www.QTK.ca info@qtk.ca

PURCHASE AGREEMENT FORM

PURCHASER:		CONTRACTOR:	2185715 ONTARIO INC.
ADDRESS:		SITE:	WEST RIVER VALLEY PH1, BRAMPTON
EMAIL:		MODEL TYPE:	40-06
PHONE #:		LOT #:	53 WRV
PHONE #:		DATE:	Jul 27, 2022 ZSX22062403

ROOM	DESCRIPTION	CATEGORY
Bath #4 VANITY	DOOR STYLE: QT 1022 NONE FINISH: CHARCOAL SPECIES: LP LAMINATE DOOR HARDWARE: DRW HARDWARE: COUNTER TOP: Counter Top by Others	Category 3

ITEM #	QTY	DESCRIPTION	PRICE
CUST-1	1	CATEGORY 2 DOOR STYLE AND FINISH: QTC 1622 CHARCOAL (LP LAMINATE)	[REDACTED]
CUST-2	1	CATEGORY 1 HARDWARE: DH00010	
CUST-3	1	1 SET OF DRAWER PD/3 (1 SMALL , 2 BIG DRAWERS) w/ PREMIUM MOTION SLIDES	
ROOM SUMMARY:			

ROOM	DESCRIPTION	CATEGORY
TWIN BATH 2/3 VANITY	DOOR STYLE: QT 1022 NONE FINISH: CHARCOAL SPECIES: LP LAMINATE DOOR HARDWARE: DRW HARDWARE: COUNTER TOP: Counter Top by Others	Category 3

ITEM #	QTY	DESCRIPTION	PRICE
CUST-1	1	CATEGORY 2 DOOR STYLE AND FINISH: QTC 1622 CHARCOAL (LP LAMINATE)	[REDACTED]
CUST-2	1	CATEGORY 1 HARDWARE: DH00010	
CUST-3	1	CONVERT TOP DRAWER INTO FULL SET OF DRAWER PD/3 (1 SMALL , 2 BIG DRAWERS) w/ PREMIUM MOTION SLIDES	
ROOM SUMMARY:			

ROOM	DESCRIPTION	CATEGORY
POWDER ROOM VANITY	DOOR STYLE: QT 4801 NONE FINISH: SLATE GREY SPECIES: FIBERBOARD DOOR HARDWARE: DRW HARDWARE: COUNTER TOP: Counter Top by Others	Category 3

ITEM #	QTY	DESCRIPTION	PRICE
CUST-1	1	CATEGORY 4 DOOR STYLE AND FINISH: QTF 3801 SLATE GREY (FIBERBOARD)	[REDACTED]
CUST-2	1	CATEGORY 3 HARDWARE: DH10040	
CUST-3	1	FLOATING VANITY w/ 1 DRAWER & FALSE PANEL ABOVE - 10-1/2" FFL (WALL TO WALL) - OPTION PAID FOR BY BUILDER	
ROOM SUMMARY:			

ROOM	DESCRIPTION	CATEGORY
LAUNDRY ROOM	DOOR STYLE: QT 1022 NONE FINISH: CANVAS (TX) SPECIES: LP LAMINATE DOOR HARDWARE: DRW HARDWARE: COUNTER TOP: Laminate Top by QTK D354-60	Category 3

CUSTOMER INITIALS *[Signature]* CUSTOMER INITIALS *[Signature]*



your kitchen. your taste.

Quality Tops & Kitchens Ltd.
 80 Sante Drive, Vaughan, ON L4K 3C4
 T 416.746.1811 F 905.761.5901
 www.QTK.ca info@qtk.ca

PURCHASE AGREEMENT FORM

PURCHASER:		CONTRACTOR:	2185715 ONTARIO INC.	
ADDRESS:		SITE:	WEST RIVER VALLEY PH1, BRAMPTON	
EMAIL:		MODEL TYPE:	40-06	
PHONE #:		LOT #:	53 WRV	
PHONE #:		DATE:	Jul 27, 2022	ZSX22062403

ITEM #	QTY	DESCRIPTION	PRICE
CUST-1	1	CATEGORY 1 DOOR STYLE AND FINISH: QTS 1022 CANVAS TX (LAMINATE)	
CUST-2	1	CATEGORY 1 HARDWARE: DH00010	

ROOM SUMMARY:

EXPECTED DELIVERY DATE	TBD	SUB-TOTAL:	
<p>Customers please note all garbage bins, spice baskets, magic corner baskets and other accessories will only be delivered AFTER you move in the house. Please call us to request delivery of these items after you move in. Thank you. ALL CHANGES FINAL UPON SIGNING</p> <p>PLEASE READ ALL THE TERMS AND CONDITIONS ON THE ACCOMPANYING QTK TERMS & CONDITIONS DOCUMENT. BY SIGNING BELOW YOU AGREE TO RECEIVE THE ITEMS LISTED HEREIN AND PAY (ACCORDING TO QTK'S PAYMENT POLICY), AND HAVE READ AND UNDERSTOOD THE TERMS & CONDITIONS AS OUTLINED IN THE QTK TERMS & CONDITIONS DOCUMENT.</p>		TOTAL:	
		HST	
		GRAND TOTAL:	
DEPOSIT 1 DATE: _____		DEPOSIT 1:	
DEPOSIT 2 DATE: _____		DEPOSIT 2:	

BALANCE TO BE PAID IN FULL BY DUE DATE: _____ CUSTOMER INITIAL(S): _____

CUSTOMER SIGNATURE: Suzanne DATE: July 27/22

CUSTOMER SIGNATURE: Mandi Khan DATE: _____

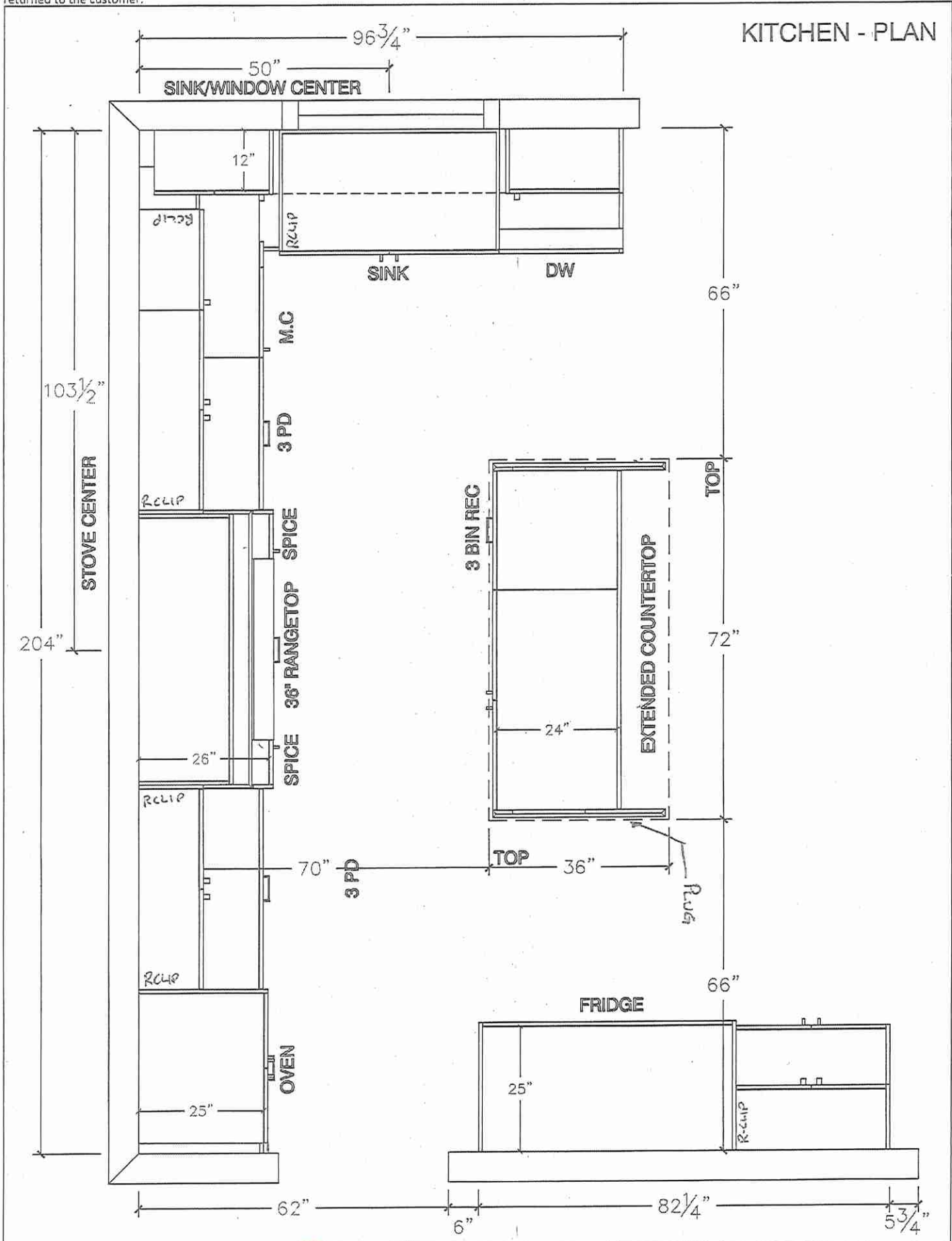
SALES REP NAME: _____ - apD QTK AUTHORIZED SIGNATURE: [Signature]



80 Sante Drive, Vaughan, ON L4K 3C4
 T 416.746.1811 F 905.761.5901
 www.QTK.ca info@qtk.ca

CLIENT: ROYAL PINE HOMES	JOB NAME: LOT 53 WRV	ROOM: KITCHEN	DRAWN BY: GJ
SITE: WEST RIVER VALLEY	DOOR STYLE: —	DOOR HANDLE: —	SCALE: 1/2" = 1'-0"
PHONE: —	FINISH: —	DRW HANDLE: —	DATE: JULY 11, 2022
EMAIL: —	SPECIES: —	TOP: —	PAGE:
COMMENTS:			

Customer Agrees and Accepts the following conditions: 1. The Drawing is a representation only and the installed cabinetry may vary slightly in product size, measurements, handle appearance and location and other details. Although Quality Tops & Kitchens Ltd. (QTK) does its best to manufacture exactly what is shown here outside factors may prevent that and some variance is to be expected and accepted by the customer. 2. These drawings represent the intellectual property of QTK and as such the customer understands and accepts that all deposits given by the customer to QTK are non-refundable after QTK has supplied drawings (either physically or electronically) to the customer. If the customer decides to cancel the order after QTK has submitted drawings to the customer, the deposit will then be considered a design fee and no money will be returned to the customer.



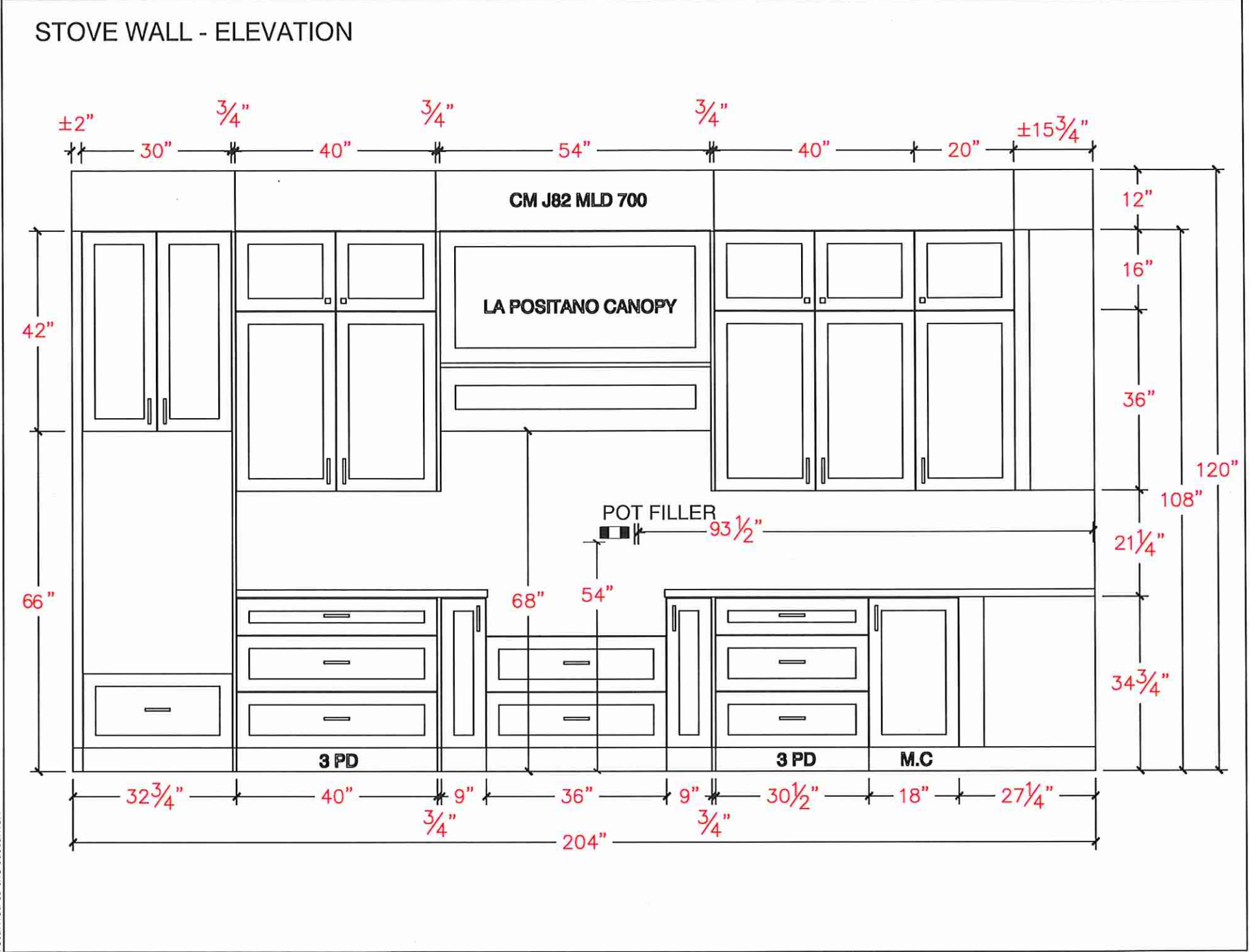


80 Sante Drive, Vaughan, ON L4K 3C4
 T 416.746.1811 F 905.761.5901
 www.QTK.ca info@qtk.ca

your kitchen. your taste.

CLIENT: ROYAL PINE HOMES	JOB NAME: LOT 53 WRV	ROOM: KITCHEN	DRAWN BY: GJ
SITE: WEST RIVER VALLEY	DOOR STYLE: —	DOOR HANDLE: —	SCALE: 1/2" = 1'-0"
PHONE: —	FINISH: —	DRW HANDLE: —	DATE: JULY 11, 2022
EMAIL: —	SPECIES: —	TOP: —	PAGE: —
COMMENTS:			

Customer Agrees and Accepts the following conditions: 1. The Drawing is a representation only and the installed cabinetry may vary slightly in product size, measurements, handle appearance and location and other details. Although Quality Tops & Kitchens Ltd. (QTK) does it's best to manufacture exactly what is shown here outside factors may prevent that and some variance is to be expected and accepted by the customer. 2. These drawings represent the intellectual property of QTK and as such the customer understands and accepts that all deposits given by the customer to QTK are non-refundable after QTK has supplied drawings (either physically or electronically) to the customer. If the customer decides to cancel the order after QTK has submitted drawings to the customer, the deposit will then be considered a design fee and no money will be returned to the customer.



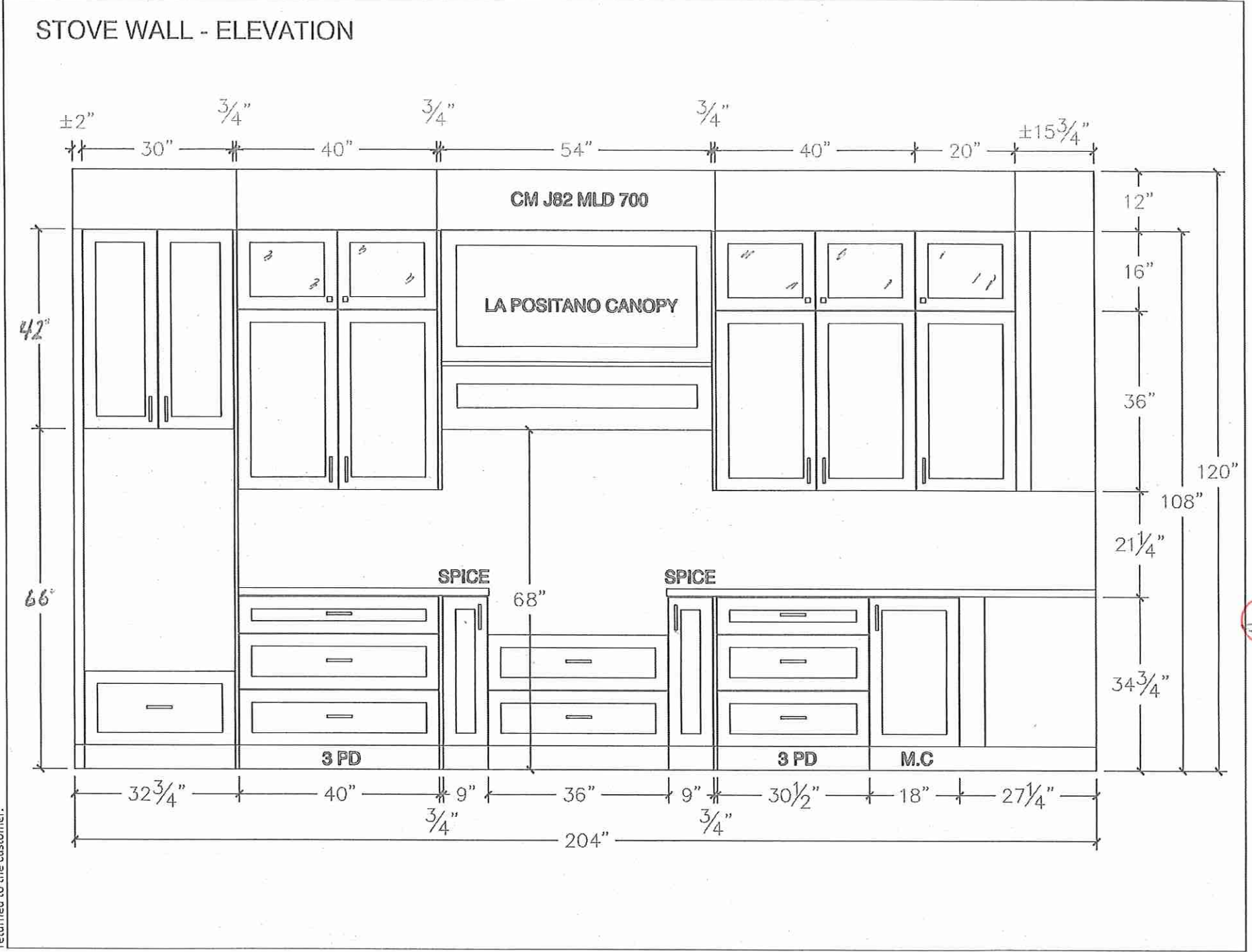


80 Sante Drive, Vaughan, ON L4K 3C4
 T 416.746.1811 F 905.761.5901
 www.QTK.ca info@qtk.ca

CLIENT: ROYAL PINE HOMES	JOB NAME: LOT 53 WRV	ROOM: KITCHEN	DRAWN BY: GJ
SITE: WEST RIVER VALLEY	DOOR STYLE: —	DOOR HANDLE: —	SCALE: 1/2" = 1'-0"
PHONE: —	FINISH: —	DRW HANDLE: —	DATE: JULY 11, 2022
EMAIL: —	SPECIES: —	TOP: —	PAGE: —

COMMENTS:

Customer Agrees and Accepts the following conditions: 1. The Drawing is a representation only and the installed cabinetry may vary slightly in product size, measurements, handle appearance and location and other details. Although Quality Tops & Kitchens Ltd. (QTK) does its best to manufacture exactly what is shown here outside factors may prevent that and some variance is to be expected and accepted by the customer. 2. These drawings represent the intellectual property of QTK and as such the customer understands and accepts that all deposits given by the customer to QTK are non-refundable after QTK has supplied drawings (either physically or electronically) to the customer. If the customer decides to cancel the order after QTK has submitted drawings to the customer, the deposit will then be considered a design fee and no money will be returned to the customer.



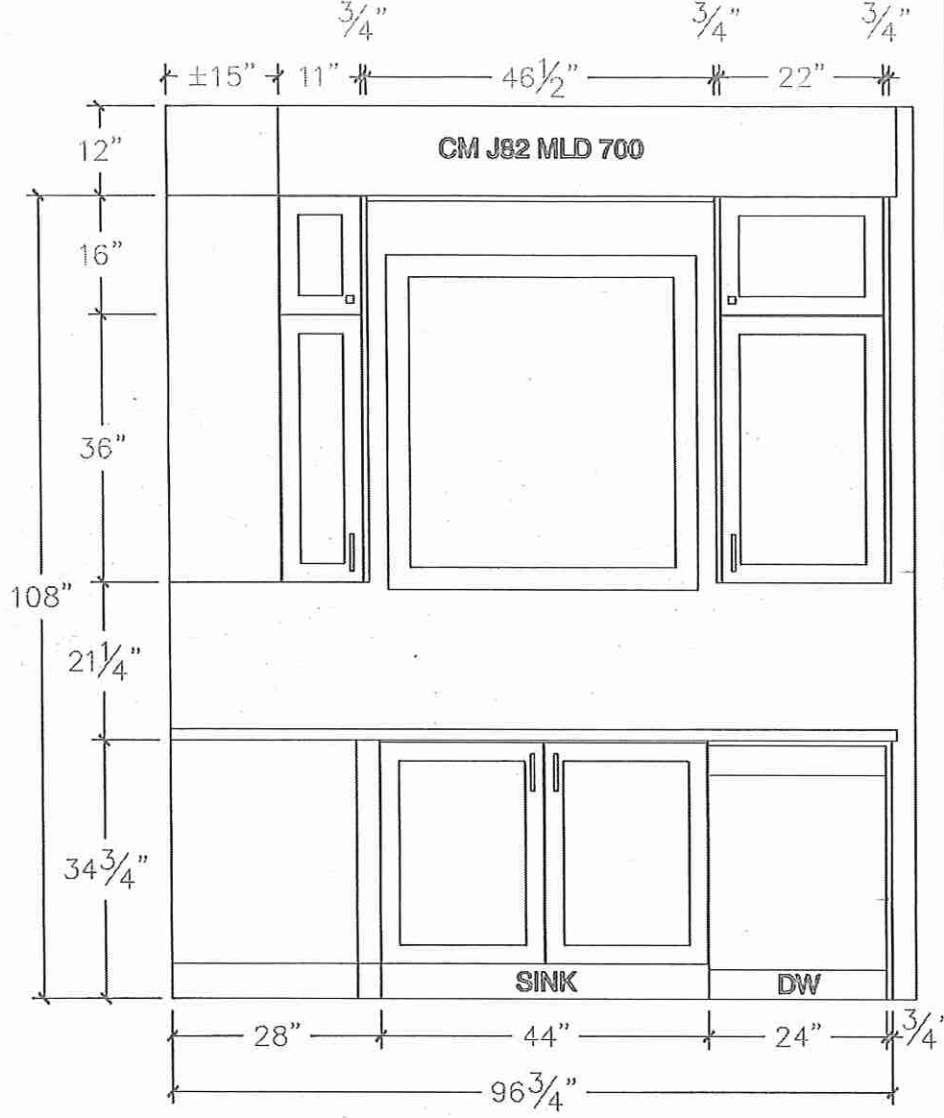


80 Sante Drive, Vaughan, ON L4K 3C4
 T 416.746.1811 F 905.761.5901
 www.QTK.ca info@qtk.ca

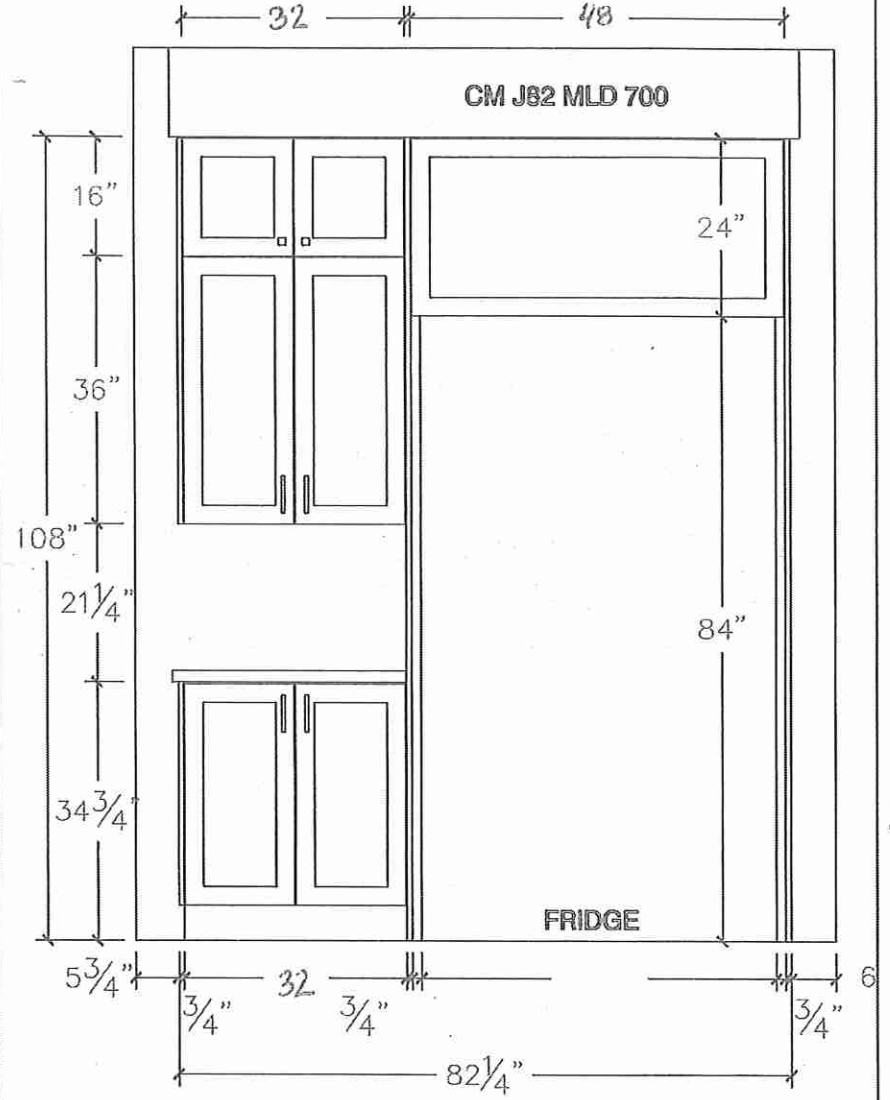
CLIENT: ROYAL PINE HOMES	JOB NAME: LOT 53 WRV	ROOM: KITCHEN	DRAWN BY: GJ
SITE: WEST RIVER VALLEY	DOOR STYLE: —	DOOR HANDLE: —	SCALE: 1/2" = 1'-0"
PHONE: —	FINISH: —	DRW HANDLE: —	DATE: JULY 11, 2022
EMAIL: —	SPECIES: —	TOP: —	PAGE: —
COMMENTS:			

Customer Agrees and Accepts the following conditions: 1. The Drawing is a representation only and the installed cabinetry may vary slightly in product size, measurements, handle appearance and location and other details. Although Quality Tops & Kitchens Ltd. (QTK) does it's best to manufacture exactly what is shown here outside factors may prevent that and some variance is to be expected and accepted by the customer. 2. These drawings represent the intellectual property of QTK and as such the customer understands and accepts that all deposits given by the customer to QTK are non-refundable after QTK has supplied drawings (either physically or electronically) to the customer. If the customer decides to cancel the order after QTK has submitted drawings to the customer, the deposit will then be considered a design fee and no money will be returned to the customer.

SINK WALL - ELEVATION



FRIDGE WALL - ELEVATION





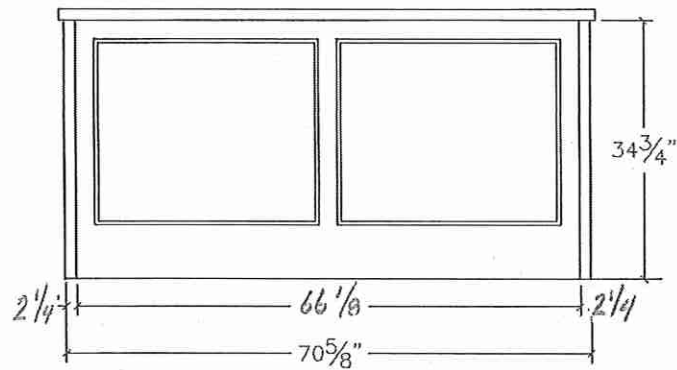
80 Sante Drive, Vaughan, ON L4K 3C4
 T 416.746.1811 F 905.761.5901
 www.QTK.ca info@qtk.ca

CLIENT: ROYAL PINE HOMES	JOB NAME: LOT 53 WRV	ROOM: KITCHEN	DRAWN BY: GJ
SITE: WEST RIVER VALLEY	DOOR STYLE: —	DOOR HANDLE: —	SCALE: 1/2" = 1'-0"
PHONE: —	FINISH: —	DRW HANDLE: —	DATE: JULY 11, 2022
EMAIL: —	SPECIES: —	TOP: —	PAGE:

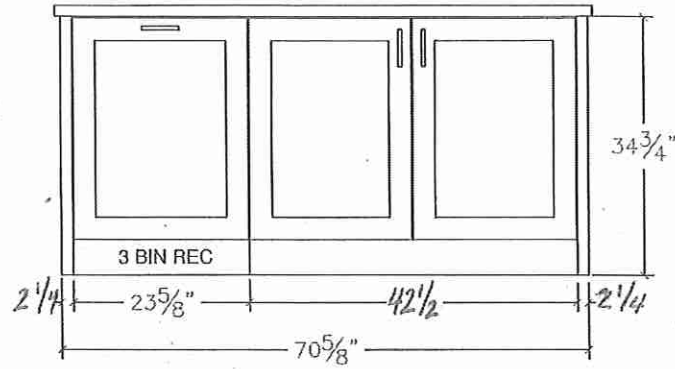
COMMENTS:

Customer Agrees and Accepts the following conditions: 1. The Drawing is a representation only and the installed cabinetry may vary slightly in product size, measurements, handle appearance and location and other details. Although Quality Tops & Kitchens Ltd. (QTK) does it's best to manufacture exactly what is shown here outside factors may prevent that and some variance is to be expected and accepted by the customer. 2. These drawings represent the intellectual property of QTK and as such the customer understands and accepts that all deposits given by the customer to QTK are non-refundable after QTK has supplied drawings (either physically or electronically) to the customer. If the customer decides to cancel the order after QTK has submitted drawings to the customer, the deposit will then be considered a design fee and no money will be returned to the customer.

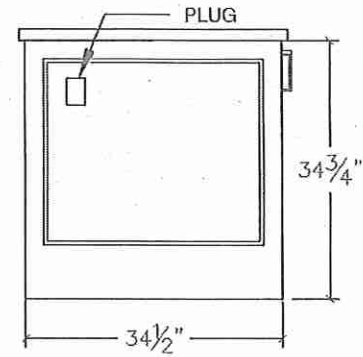
ISLAND REAR - ELEVATION



ISLAND FRONT - ELEVATION



ISLAND SIDE - ELEVATION



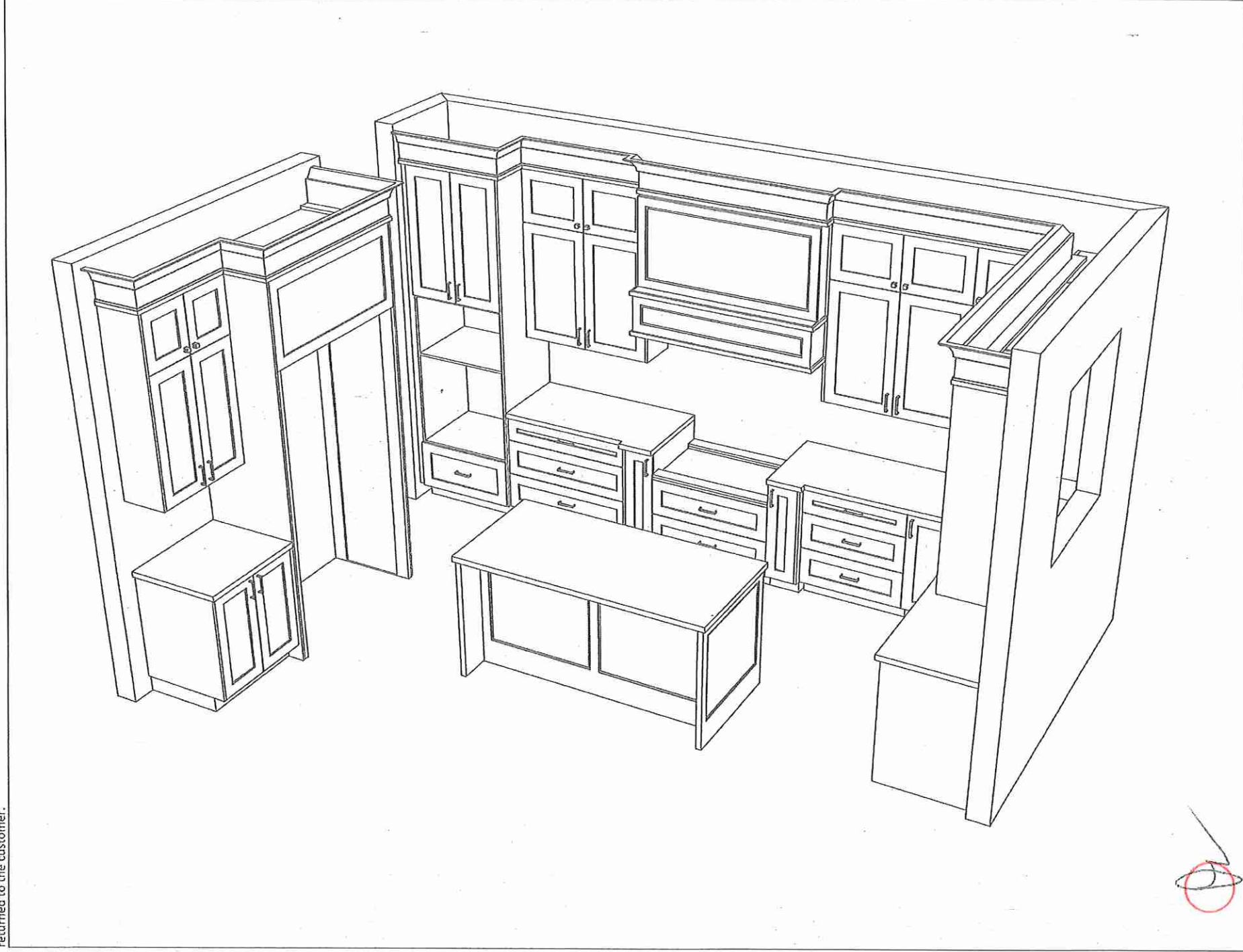


80 Sante Drive, Vaughan, ON L4K 3C4
T 416.746.1811 F 905.761.5901
www.QTK.ca info@qtk.ca

CLIENT: ROYAL PINE HOMES	JOB NAME: LOT 53 WRV	ROOM: KITCHEN	DRAWN BY: GJ
SITE: WEST RIVER VALLEY	DOOR STYLE: —	DOOR HANDLE: —	SCALE: 1/2" = 1'-0"
PHONE: —	FINISH: —	DRW HANDLE: —	DATE: JULY 11, 2022
EMAIL: —	SPECIES: —	TOP: —	PAGE: —

COMMENTS:

Customer Agrees and Accepts the following conditions: 1. The Drawing is a representation only and the installed cabinetry may vary slightly in product size, measurements, handle appearance and location and other details. Although Quality Tops & Kitchens Ltd. (QTK) does it's best to manufacture exactly what is shown here outside factors may prevent that and some variance is to be expected and accepted by the customer. 2. These drawings represent the intellectual property of QTK and as such the customer understands and accepts that all deposits given by the customer to QTK are non-refundable after QTK has supplied drawings (either physically or electronically) to the customer. If the customer decides to cancel the order after QTK has submitted drawings to the customer, the deposit will then be considered a design fee and no money will be returned to the customer.





your kitchen, your taste.

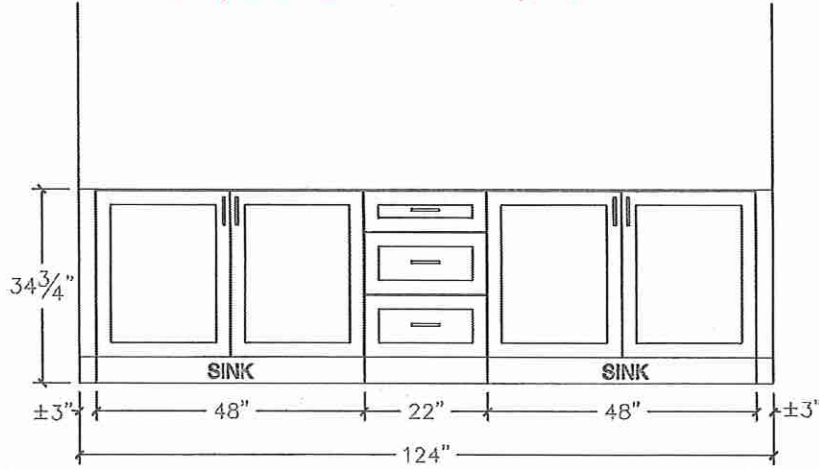
80 Sante Drive, Vaughan, ON L4K 3C4
 T 416.746.1811 F 905.761.5901
 www.QTK.ca info@qtk.ca

CLIENT: ROYAL PINE HOMES	JOB NAME: LOT 53 WRV	ROOM: VANITY	DRAWN BY: GJ
SITE: WEST RIVER VALLEY	DOOR STYLE: —	DOOR HANDLE: —	SCALE: 1/2" = 1'-0"
PHONE: —	FINISH: —	DRW HANDLE: —	DATE: JULY 11, 2022
EMAIL: —	SPECIES: —	TOP: —	PAGE: —

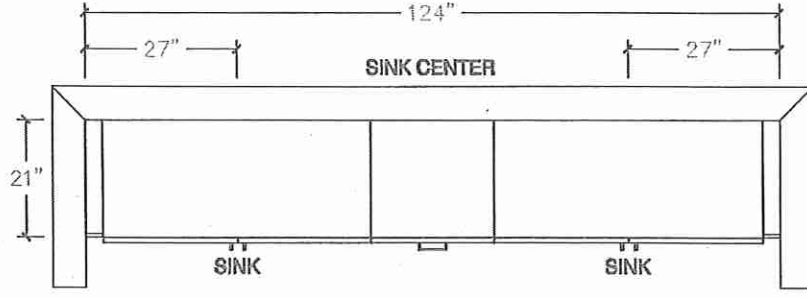
COMMENTS:

Customer Agrees and Accepts the following conditions: 1. The Drawing is a representation only and the installed cabinetry may vary slightly in product size, measurements, handle appearance and location and other details. Although Quality Tops & Kitchens Ltd. (QTK) does it's best to manufacture exactly what is shown here outside factors may prevent that and some variance is to be expected and accepted by the customer. 2. These drawings represent the intellectual property of QTK and as such the customer understands and accepts that all deposits given by the customer to QTK are non-refundable after QTK has supplied drawings (either physically or electronically) to the customer. If the customer decides to cancel the order after QTK has submitted drawings to the customer, the deposit will then be considered a design fee and no money will be returned to the customer.

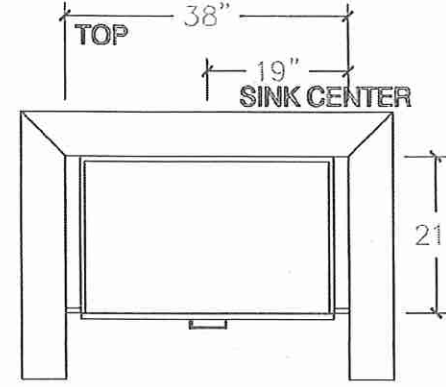
* RAISED VANITY *



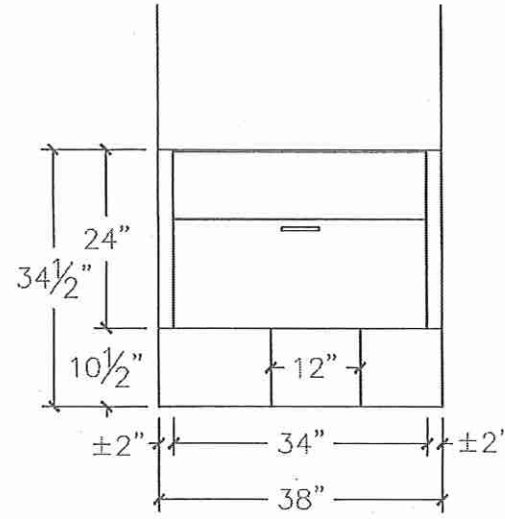
MASTER ENSUITE



POWDER RM.



* STD RAISED VANITY



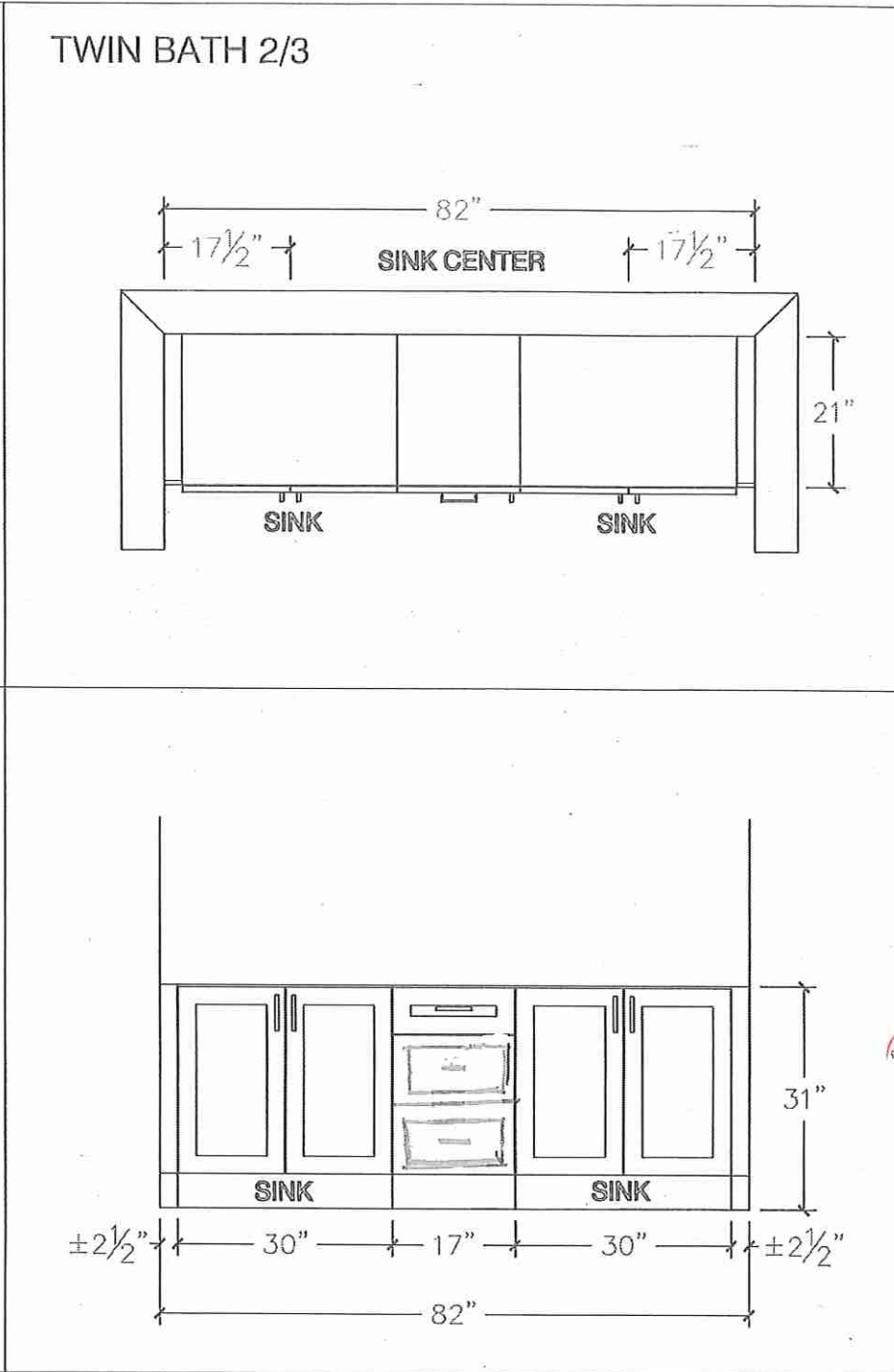
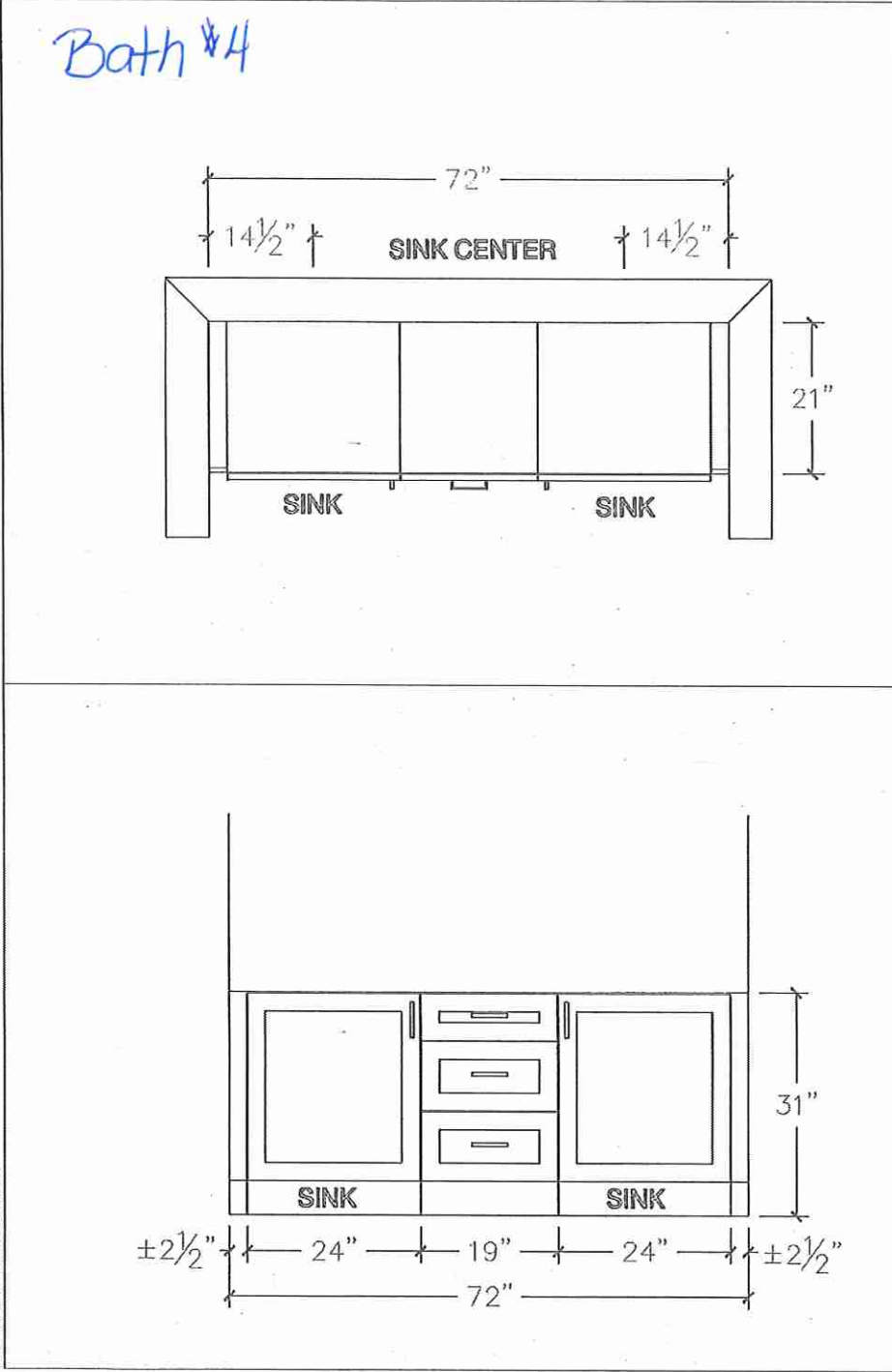


80 Sante Drive, Vaughan, ON L4K 3C4
 T 416.746.1811 F 905.761.9901
 www.QTK.ca info@qtk.ca

CLIENT: ROYAL PINE HOMES	JOB NAME: LOT 53 WRV	ROOM: VANITY	DRAWN BY: GJ
SITE: WEST RIVER VALLEY	DOOR STYLE: —	DOOR HANDLE: —	SCALE: 1/2" = 1'-0"
PHONE: —	FINISH: —	DRW HANDLE: —	DATE: JULY 11, 2022
EMAIL: —	SPECIES: —	TOP: —	PAGE: —

COMMENTS:

Customer Agrees and Accepts the following conditions: 1. The Drawing is a representation only and the installed cabinetry may vary slightly in product size, measurements, handle appearance and location and other details. Although Quality Tops & Kitchens Ltd. (QTK) does it's best to manufacture exactly what is shown here outside factors may prevent that and some variance is to be expected and accepted by the customer. 2. These drawings represent the intellectual property of QTK and as such the customer understands and accepts that all deposits given by the customer to QTK are non-refundable after QTK has supplied drawings (either physically or electronically) to the customer, if the customer decides to cancel the order after QTK has submitted drawings to the customer, the deposit will then be considered a design fee and no money will be returned to the customer.



(Handwritten initials)

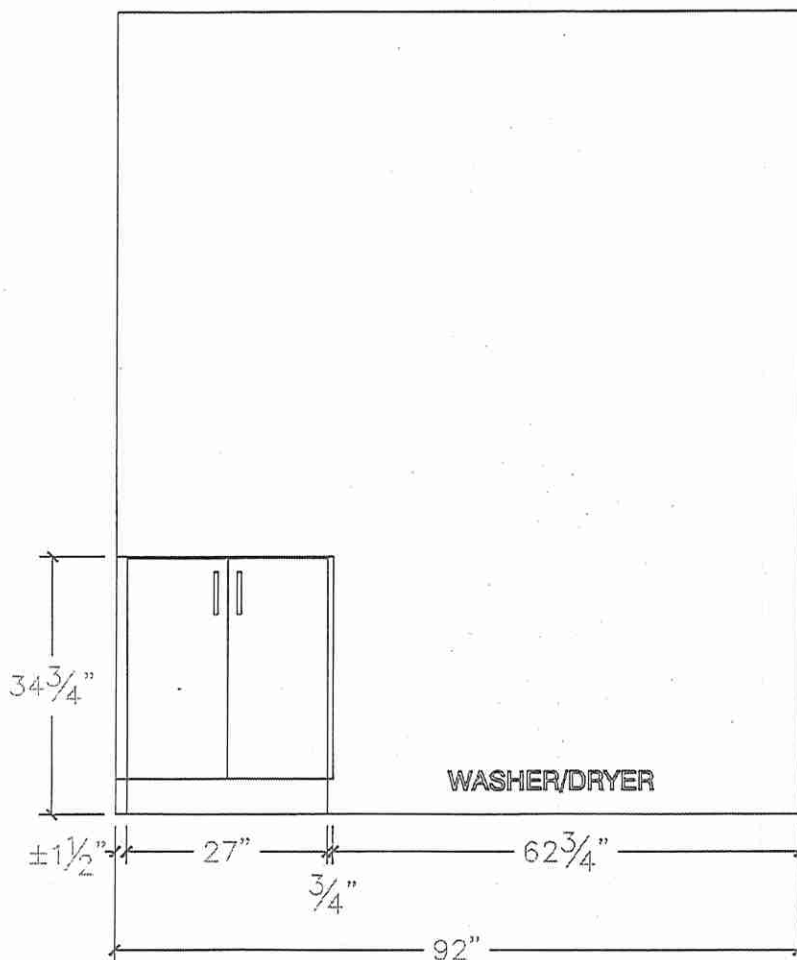
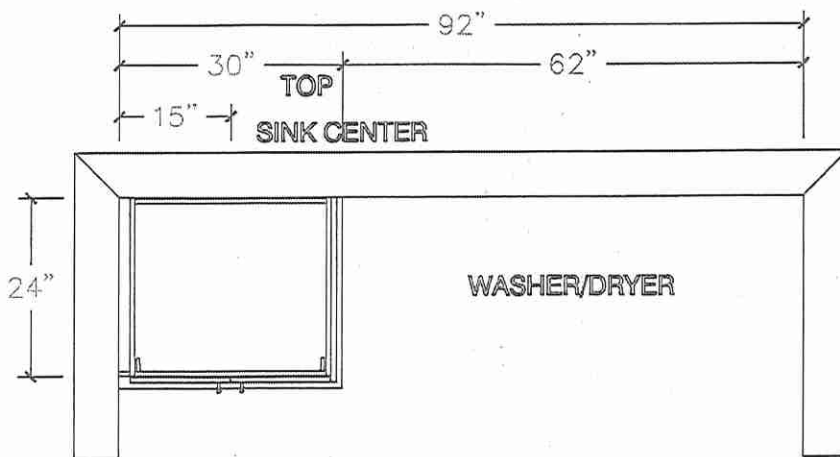


80 Sante Drive, Vaughan, ON L4K 3C4
 T 416.746.1811 F 905.761.5901
 www.QTK.ca info@qtk.ca

CLIENT: ROYAL PINE HOMES	JOB NAME: LOT 53 WRV	ROOM: LAUNDRY	DRAWN BY: GJ
SITE: WEST RIVER VALLEY	DOOR STYLE: ___	DOOR HANDLE: ___	SCALE: 1/2" = 1'-0"
PHONE: ___	FINISH: ___	DRW HANDLE: ___	DATE: JULY 11, 2022
EMAIL: ___	SPECIES: ___	TOP: ___	PAGE:
COMMENTS:			

Customer Agrees and Accepts the following conditions: 1. The Drawing is a representation only and the installed cabinetry may vary slightly in product size, measurements, handle appearance and location and other details. Although Quality Tops & Kitchens Ltd. (QTK) does it's best to manufacture exactly what is shown here outside factors may prevent that and some variance is to be expected and accepted by the customer. 2. These drawings represent the intellectual property of QTK and as such the customer understands and accepts that all deposits given by the customer to QTK are non-refundable after QTK has supplied drawings (either physically or electronically) to the customer. If the customer decides to cancel the order after QTK has submitted drawings to the customer, the deposit will then be considered a design fee and no money will be returned to the customer.

LAUNDRY



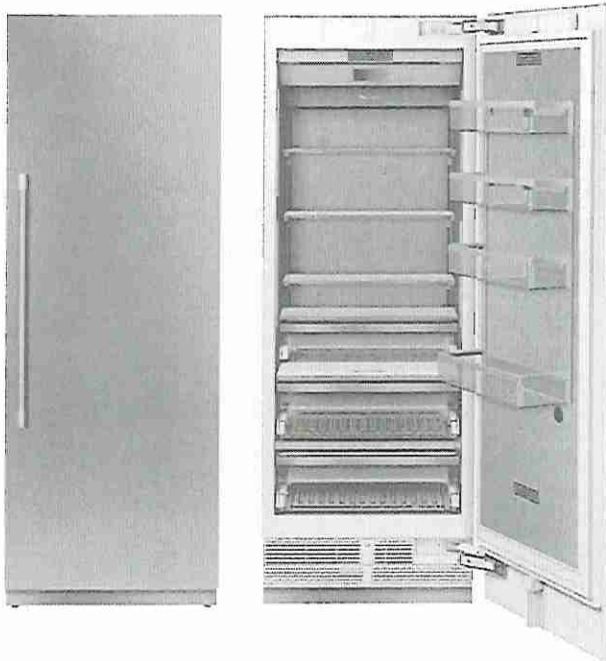
102

Lot 53 West River



T30IR905SP 30-INCH BUILT-IN FRESH FOOD COLUMN FREEDOM® COLLECTION, PANEL-READY

Thermador 



FEATURES & BENEFITS

- Full Stainless Steel Inner Liner
- Freedom® Hinge enables true flush design
- Auto Door Opening provides the opening of the door with just a slight push or pull
- ThermaFresh System, Humidity and Temperature controlled drawers
- SoftClose® Drawers for easy and controlled storage
- Sleek clean design for the perfect symmetry when paired with additional columns
- TFT control panel managing all your columns functions

TEMPERATURE RANGES

Refrigerator	36°F (2°C) to 46°F (8°C)
Temperature Controlled Drawer	30°F (-1°C) to 38°F (3°C)
SuperCool	36°F (2°C) for approximately 6 hours
Energy Saving (Economy) Mode	43°F (6°C)

GENERAL PROPERTIES

Home Connect™ (Wi-Fi Enabled)	Yes
Panel Ready	Yes
Reversible Door Swing	Yes
SoftClose® Door	Yes
SoftClose® Drawers	Yes
Carbon Air Filter	Yes
Lighting	LED Sidewall and Theater Lighting
Refrigerator Shelves	4
Adjustable Shelves	3
Shelf Material	Glass w/Aluminum Profile
Full Extension Drawers @ 115° Door Opening Angle	Yes
Full Extension Drawers @ 90° Door Opening Angle	Yes
General Use Drawer	1
Humidity Managed Drawer	1
Temperature Controlled Drawer	1
Door Bins	3
Gallon Door Bins	1
Door Open Alarm	Yes
Open Door Assist	Yes
Special Modes	Sabbath, Economy, Vacation

CAPACITY

Total Capacity (cu. ft.)	16.8 cu. ft.
--------------------------	--------------

PERFORMANCE

Dedicated Evaporator & Compressor System	Yes
Freeflow® Cold Air System	Yes
SuperCool	Yes

TECHNICAL DETAILS

Watts (W)	350 W
Current (A)	15 A
Volts (V)	110-120 V
Frequency (Hz)	60 Hz
Power Cord Length (in.)	118
Plug Type	120V-3 Prong

DIMENSIONS & WEIGHT

Appliance Dimensions (H x W x D) (in.)	83 3/4" * x 29 3/4" x 24"
Required Cutout Size (H x W x D) (in.)	84" x 30" x 25"
Net / Gross Weight (lbs)	366 / 403 lbs

EFFICIENCY

ENERGY STAR® Certified	Yes
Annual Energy Consumption	279 kWh

*Height adjustable + / -1/2" (+ / -13 mm)

Lot 53 West River



T30IR905SP 30-INCH BUILT-IN FRESH FOOD COLUMN FREEDOM® COLLECTION, PANEL-READY

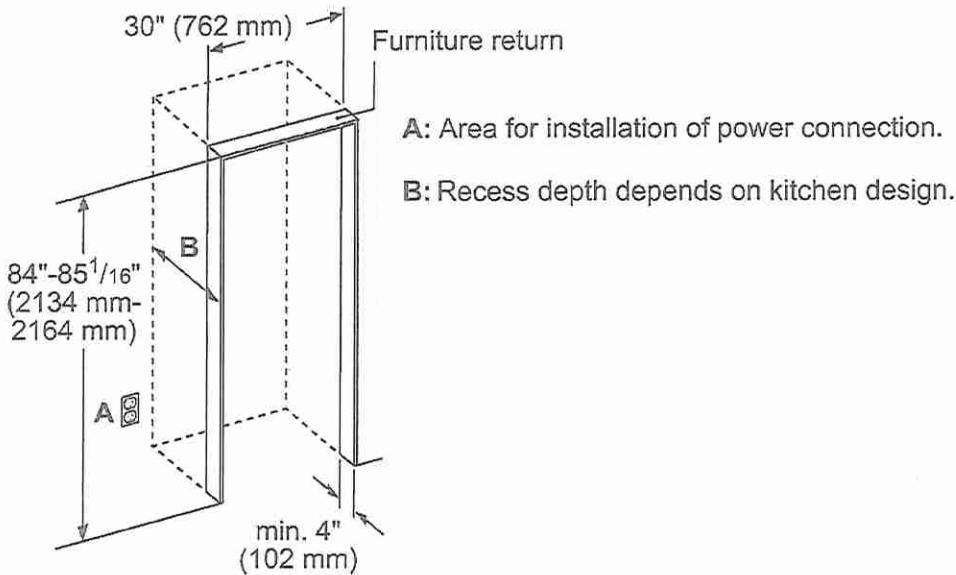


WARRANTY

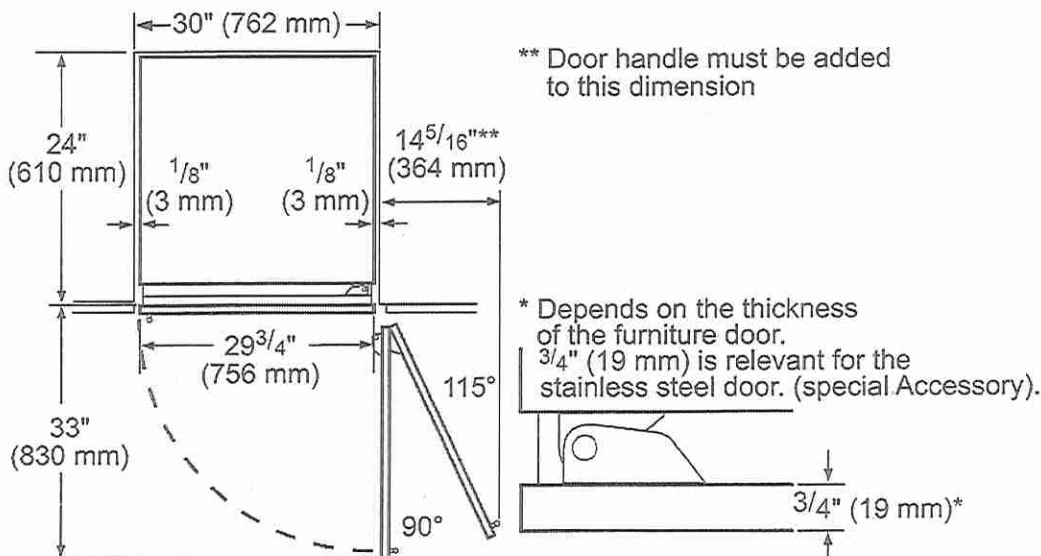
Limited, Entire Appliance, Parts and Labor on Any Part of the Refrigerator that Fails Because of a Manufacturing Defect	2 Year
Limited Warranty for Sealed Refrigeration System*; Parts and Labor	3rd to 6th Year
Limited Warranty for Sealed Refrigeration System*; Parts Only	7th to 12th Year
Limited Warranty for Stainless Steel Rust-Through	Lifetime

*Sealed refrigeration system includes compressor, evaporator, condenser, dryer / strainer and connection tubing

CUTOUT DIMENSIONS



TOP VIEW CLEARANCE



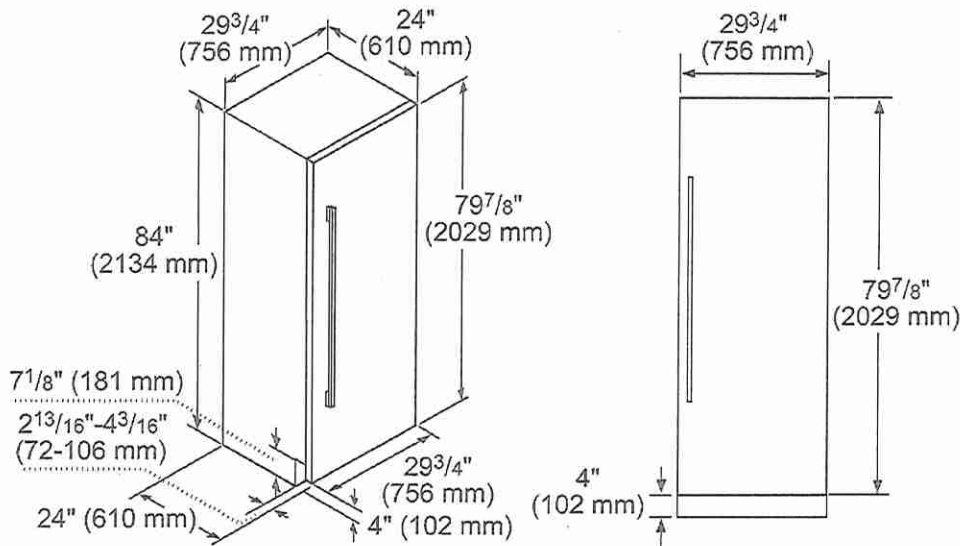
Lot 53 West River



T30IR905SP 30-INCH BUILT-IN FRESH FOOD COLUMN FREEDOM® COLLECTION, PANEL-READY



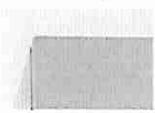
PRODUCT AND PANEL DIMENSIONS



ACCESSORIES (OPTIONAL)

FLAT STAINLESS STEEL DOOR PANELS

30-Inch Flat Stainless Steel Door Panel



TFL30IR800
For use with Handle
TFL30IR905
Handleless

HANDLES

Choose between two options:



PR36HNDL20
36-Inch Professional Series Handle

or

MS36HNDL20
36-Inch Masterpiece® Series Handle

STORAGE



LPRODBIN10
Large Produce Bin



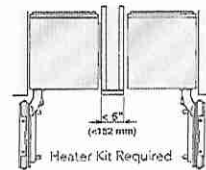
30PRODRAIL
30-Inch Produce Railing



30HFGALBIN
30-Inch Half Gallon Bin

FRAMEKIT10

Freedom® Frame Kit
For any custom column installation in 24-inch deep cutouts. With two metal side trims whose placement between the interior cutout wall and the appliance helps overcome the challenge of unfinished cabinet returns.



HEATRKIT20 - 13W @ 120V

Freedom® Heater Kit
When two appliances are installed side-by-side a sealing kit must be used. For combinations that involve a freezer column, this sealing kit is included. For all other (non-traditional, i.e. two wine columns, two bottom freezers, etc.) side-by-side combinations or instances where any appliances are installed less than 6-inches (152 mm) apart from one another but not connected side-by-side, purchase this kit. This kit is recommended for use with any installation in areas that are subject to humidity, or located next to an outside wall.

These warranties give you specific legal rights and you may have other rights that vary from state to state. Limited warranty from date of purchase. For complete warranty details, refer to your Use & Care manual, or ask your dealer.

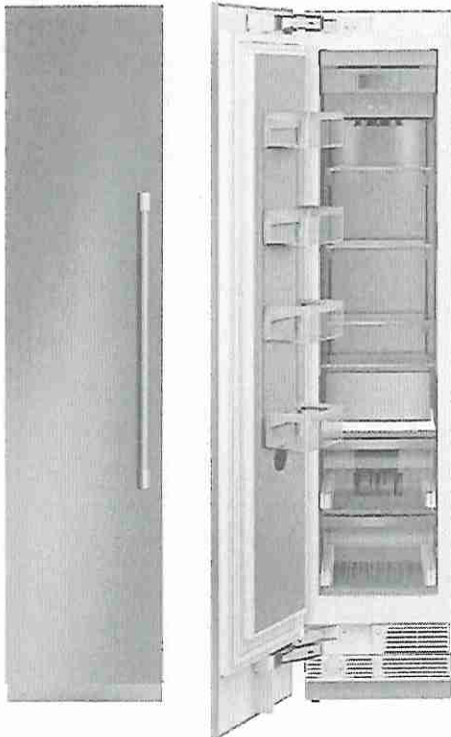
Specifications are for planning purposes only. Refer to installation instructions and consult your countertop supplier prior to making counter opening. Consult with a heating and ventilation engineer for your specific ventilation requirements. For the most detailed information, refer to installation instructions accompanying product or write to Thermador indicating the model number. Specifications are correct at time of printing. Thermador reserves the right to change product specifications or design without notice. Some models are certified for use in Canada. Thermador is not responsible for products that are transported from the U.S. for use in Canada.

1 800 735 4328 | USA THERMADOR.COM | CANADA THERMADOR.CA | ©2021 BSH HOME APPLIANCES CORPORATION. ALL RIGHTS RESERVED.

Lot 53
West River



T181F905SP
18-INCH BUILT-IN FREEZER COLUMN WITH
INTERNAL ICE MAKER
 FREEDOM® COLLECTION, PANEL-READY



FEATURES & BENEFITS

- Full Stainless Steel Inner Liner
- Freedom® Hinge enables true flush design
- Auto Door Opening provides the opening of the door with just a slight push or pull
- Energy Efficient Diamond Ice made with twist tray technology
- Smooth Filtered Lighting for clear and easy viewing of all product
- SoftClose® Drawers for easy and controlled storage
- Sleek clean design for the perfect symmetry when paired with additional columns
- TFT control panel managing all your columns functions

TEMPERATURE RANGES

Freezer	-11°F (-24°C) to 7°F (-14°C)
SuperFreeze®	-22°F (-30°C) for approximately 52 hours
Energy Saving (Economy) Mode	3°F (-16°C)

GENERAL PROPERTIES

Home Connect™ (Wi-Fi Enabled)	Yes
Panel Ready	Yes
Reversible Door Swing	Yes
SoftClose® Door	Yes*
SoftClose® Drawers	Yes
Lighting	LED Sidewall and Theater Lighting
Freezer Shelves	4
Adjustable Shelves	3
Shelf Material	Glass w/Aluminum Profile
Full Extension Drawers @ 115° Door Opening Angle	Yes
General Use Drawer	2
Door Bins	4
External LED Proximity Sensor	No
Oversized Dispenser Opening	No
Chilled Water, Crushed and Cubed Ice	No
Rapid Water Replenishment System	No
Ice Maker with Diamond Ice System	Yes
Door Open Alarm	Yes
Open Door Assist	Yes
Special Modes	Sabbath, Economy, Vacation

CAPACITY

Total Capacity (cu. ft.)	8.6 cu. ft.
--------------------------	-------------

PERFORMANCE

Dedicated Evaporator & Compressor System	Yes
SuperFreeze®	Yes
Defrost Process	Frost-Free

TECHNICAL DETAILS

Watts (W)	350 W
Current (A)	15 A
Volts (V)	110-120 V
Frequency (Hz)	60 Hz
Power Cord Length (in.)	118
Plug Type	120V-3 Prong

DIMENSIONS & WEIGHT

Appliance Dimensions (H x W x D) (in.)	83 3/4"*** x 17 3/4" x 24"
Required Cutout Size (H x W x D) (in.)	84" x 18" x 25"
Net / Gross Weight (lbs)	273 / 302 lbs

EFFICIENCY

ENERGY STAR® Qualified	Yes
Annual Energy Consumption	404 kWh

*To verify if you have a refrigeration unit with Soft-Close capability please contact our customer team by calling 1-800-735-4328.
 **Height adjustable + / -1/2" (+ / -13 mm)

Lot 53 West River



T18IF905SP 18-INCH BUILT-IN FREEZER COLUMN WITH INTERNAL ICE MAKER FREEDOM® COLLECTION, PANEL-READY

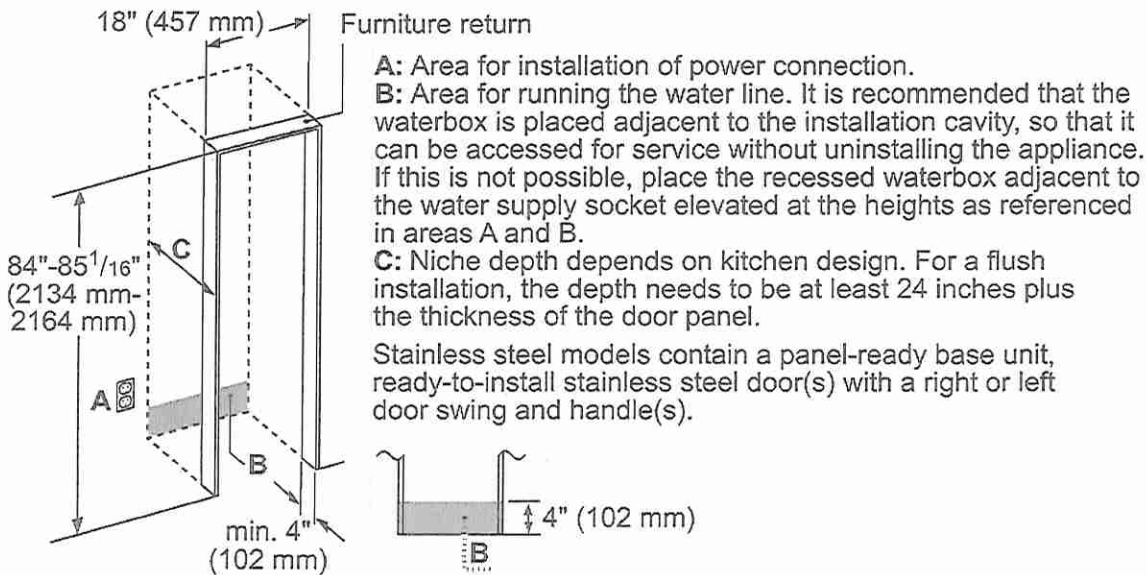


WARRANTY

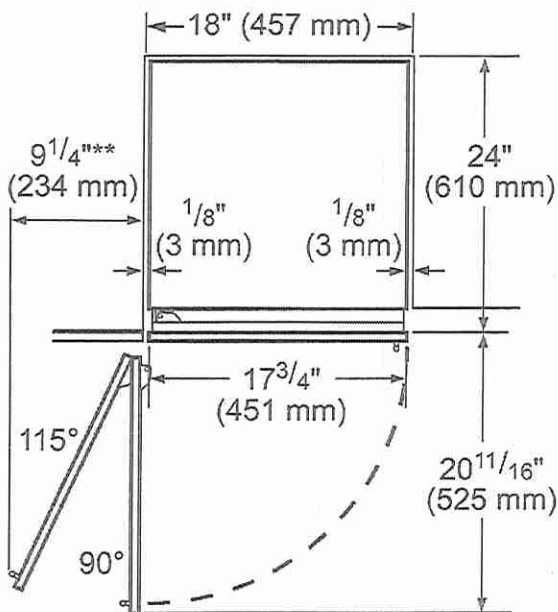
Limited, Entire Appliance, Parts and Labor on Any Part of the Refrigerator that Fails Because of a Manufacturing Defect	2 Year
Limited Warranty for Sealed Refrigeration System*; Parts and Labor	3rd to 6th Year
Limited Warranty for Sealed Refrigeration System*; Parts Only	7th to 12th Year
Limited Warranty for Stainless Steel Rust-Through	Lifetime

*Sealed refrigeration system includes compressor, evaporator, condenser, dryer / strainer and connection tubing

CUTOUT DIMENSIONS

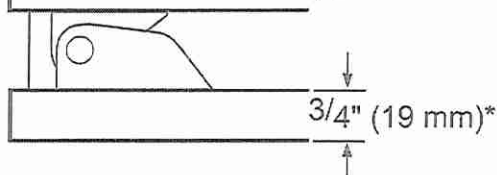


TOP VIEW CLEARANCE



** Door handle must be added to this dimension

* Depends on the thickness of the furniture door.
 $\frac{3}{4}$ " (19 mm) is relevant for the stainless steel door. (special Accessory).



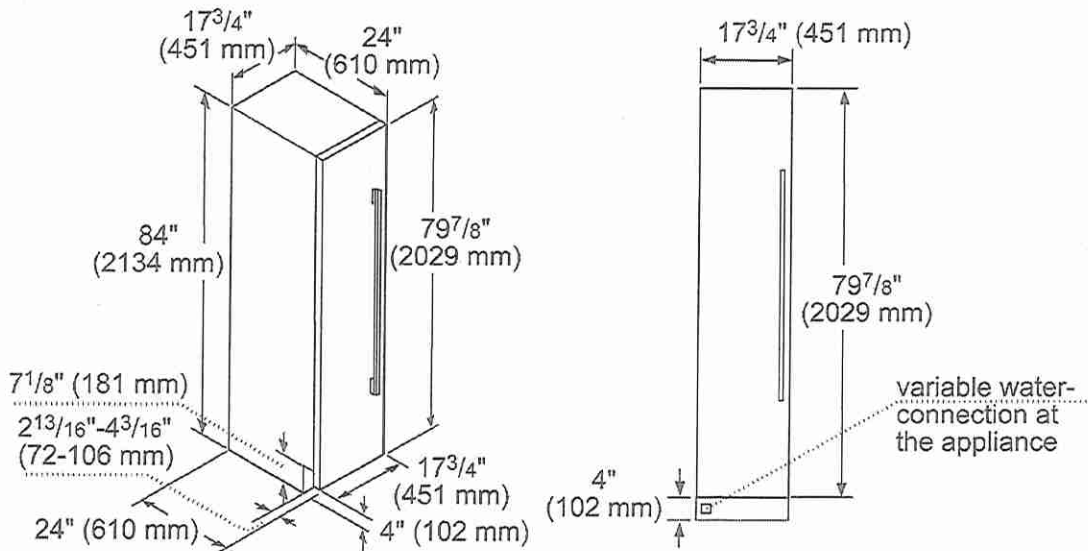
Lot 53 West River



T18IF905SP 18-INCH BUILT-IN FREEZER COLUMN WITH INTERNAL ICE MAKER FREEDOM® COLLECTION, PANEL-READY



PRODUCT AND PANEL DIMENSIONS



ACCESSORIES (OPTIONAL)

FLAT STAINLESS STEEL DOOR PANELS

18-Inch Flat Stainless Steel Door Panel



TFL18IR800

For use with Handle

TFL18IR905

Handleless

NOTE: Handleless Panels should not be installed on units without the Soft-Close capability. If you are uncertain if you have a refrigeration unit with Soft-Close capability please contact our customer team by calling 1-800-735-4328.

HANDLES

Choose between two options:



PR36HNDL20

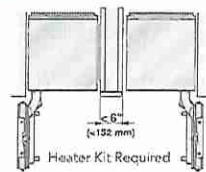
36-Inch Professional Series Handle

or



MS36HNDL20

36-Inch Masterpiece® Series Handle



HEATRKIT20 - 13W @ 120V

Freedom® Heater Kit

When two appliances are installed side-by-side a sealing kit must be used. For combinations that involve a freezer column, this sealing kit is included. For all other (non-traditional, i.e. two wine columns, two bottom freezers, etc.) side-by-side combinations or instances where any appliances are installed less than 6-inches (152 mm) apart from one another but not connected side-by-side, purchase this kit. This kit is recommended for use with any installation in areas that are subject to humidity, or located next to an outside wall.

STORAGE



ICEBUCKETL

Large Ice Bucket

FILTERS



REPLFLTR55

Freedom® Water Filter

Replacement water filter for use in all freezer and bottom freezer models

FRAMEKIT10

Freedom® Frame Kit

For any custom column installation in 24-inch deep cutouts. With two metal side trims whose placement between the interior cutout wall and the appliance helps overcome the challenge of unfinished cabinet returns.

These warranties give you specific legal rights and you may have other rights that vary from state to state. Limited warranty from date of purchase. For complete warranty details, refer to your Use & Care manual, or ask your dealer.

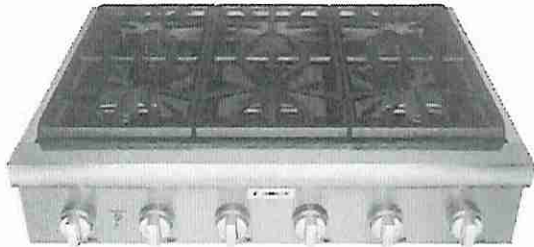
Specifications are for planning purposes only. Refer to installation instructions and consult your countertop supplier prior to making counter opening. Consult with a heating and ventilation engineer for your specific ventilation requirements. For the most detailed information, refer to installation instructions accompanying product or write to Thermador indicating the model number. Specifications are correct at time of printing. Thermador reserves the right to change product specifications or design without notice. Some models are certified for use in Canada. Thermador is not responsible for products that are transported from the U.S. for use in Canada.

1 800 735 4328 | USA THERMADOR.COM | CANADA THERMADOR.CA | ©2020 BSH HOME APPLIANCES CORPORATION. ALL RIGHTS RESERVED.

Lot 53
West River

W mE

PCG366W
36-INCH GAS RANGETOP
PROFESSIONAL SERIES, PORCELAIN COOKTOP SURFACE



FEATURES & BENEFITS

- ★- Patented Pedestal Star® Burner with QuickClean Base® designed for easy surface cleaning and superior heat spread for any size pan
- ★- Precision simmering capabilities as low as 100°F (375 BTU) with 2 ExtraLow® Simmer burners
- ★- LED Downlighting—hidden discreetly above the control panel provides functional and stylish illumination

GENERAL PROPERTIES

Controls	Metal Knobs
Sealed Burners	Yes
Grate Material	Cast Iron

BURNER PERFORMANCE

Total Number of Cooktop Burners	6
Power of Front Left Burner (NG)	18,000 and XLO (NG)
Power of Back Left Burner (NG)	15,000 and XLO (NG)
Power of Back Center Burner (NG)	15,000 (NG)
Power of Front Center Burner (NG)	18,000 (NG)
Power of Center 12" Electric Griddle (W)	N/A
Power of Center 12" Electric Grill (W)	N/A
Power of Back Right Burner (NG)	15,000 (NG)
Power of Front Right Burner (NG)	18,000 (NG)

TECHNICAL DETAILS

Circuit Breaker (A)	15 A
Volts (V)	120 V
Frequency (Hz)	60 Hz
Plug Type / Receptacle	120V-3 Prong NEMA 5-15
Power Cord Length (in)	65"
Energy Source	Gas
Gas Type	Natural Gas 6" Water Column (14.9 mb) Min. (USA)
Alternative Gas Type	LP 11" Water Column (27.4 mb) Min. (USA)
Convertible To LP (Kit Required)	Yes

DIMENSIONS & WEIGHT

Overall Appliance Dimensions (HxWxD) (in)	8 1/8" x 35 15/16" x 25 13/16"
Required Cutout Size (HxWxD) (in)	7 11/16" x 35 1/8" x 22 13/16"
Minimum Distance From Rear Wall (in)	6" Min. to Combustible Surface
Net Weight (lbs)	142 lbs

WARRANTY

Limited Warranty, Entire Appliance, Parts and Labor	2 Year
---	--------

★ THERMADOR® EXCLUSIVE

Lot 53
West River

RF MF

PCG366W
36-INCH GAS RANGETOP
PROFESSIONAL SERIES, PORCELAIN COOKTOP SURFACE



ACCESSORIES (OPTIONAL)



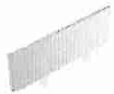
PAGRIDDLE
Griddle Sits on Top of
Grates Over 2 Star Burners



PA12CHPBLK
12" Cutting Board



PWOKRINGHC
Wok Ring



PA36WLBC
10" Low Backguard



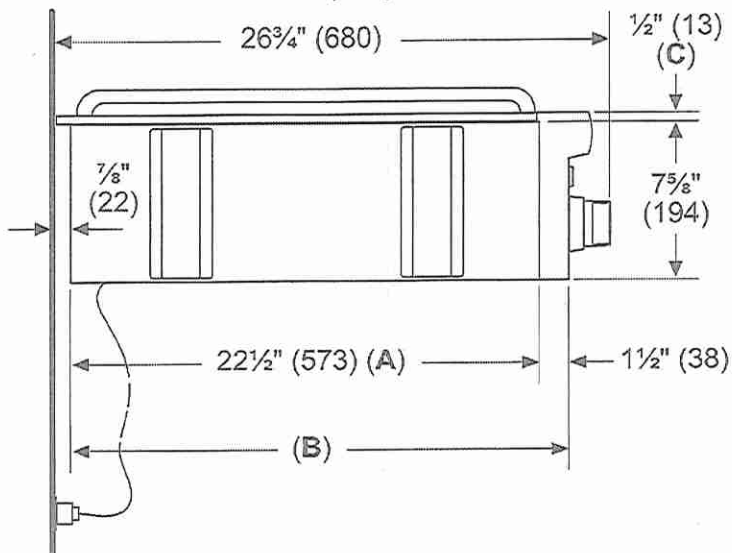
PAKNOBLUWR
Metallic Blue Knob Kit



PALPKITHW
LP Conversion Kit, Pro
Rangetops (4 & 6 Burners)

36" RANGETOP SIDE VIEW

measurements in inches (mm)



A: Cabinet face for installation
with projecting control panel.
B: Cabinet face for installation
with flush control panel.
C: Side flange

Lot 53 West River

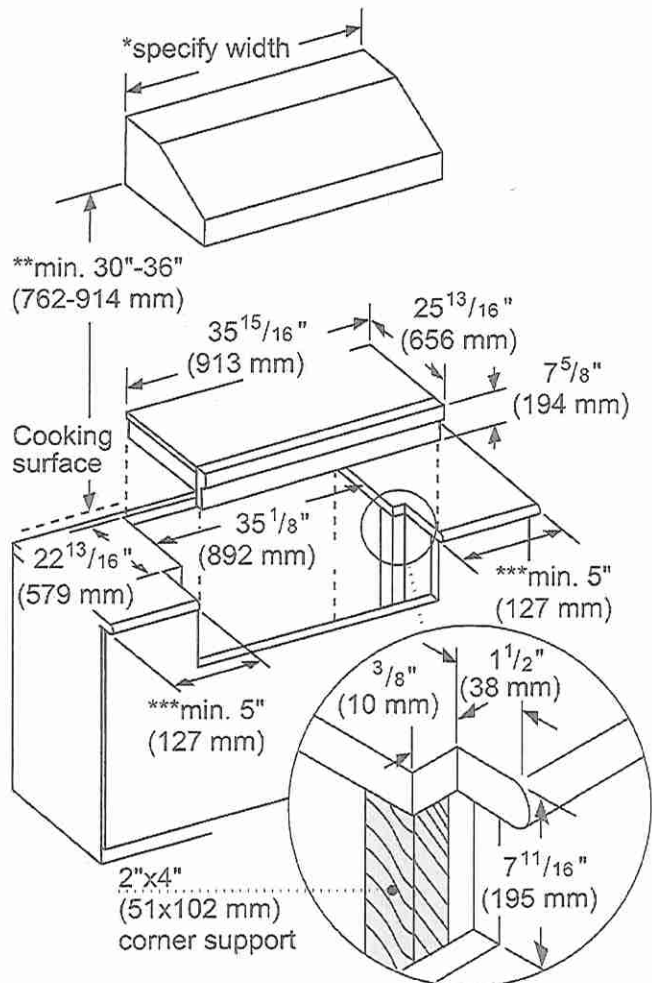


PCG366W 36-INCH GAS RANGETOP PROFESSIONAL SERIES, PORCELAIN COOKTOP SURFACE



36-INCH RANGETOP CUTOUT DIMENSIONS

* Minimum recommended hood width equals that of the range or cooktop.



** 36" minimum clearance from cooking surface to combustible surfaces.

*** 5" minimum clearance from cooking surface to combustible side wall.

Note: Most hoods contain combustible components that must be considered when planning the installation.

measurements in inches (mm)

Lot 53
West River



PCG366W
36-INCH GAS RANGETOP
PROFESSIONAL SERIES, PORCELAIN COOKTOP SURFACE

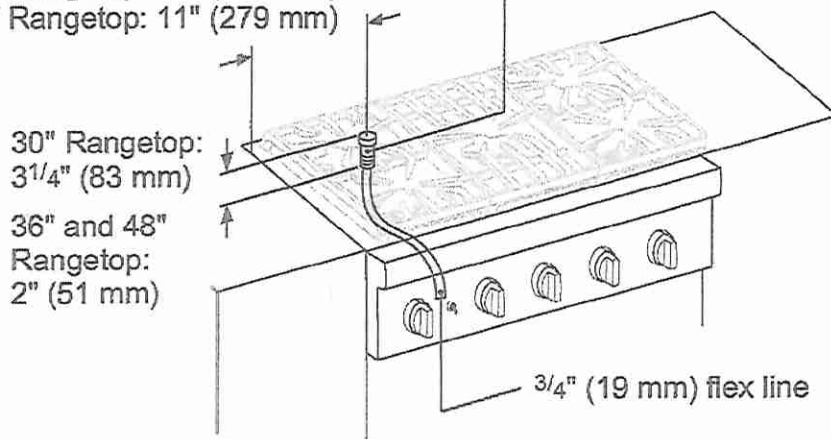


36-INCH RANGETOP GAS LOCATION

The gas and electrical supply must be located in an area that is accessible without requiring removal of the rangetop. The appliance electrical power cord and gas pipe connection are located on the left rear underside of the rangetop.

The junction box must be located within 3 feet (~900 mm) of the rangetop connection.

30" Rangetop: 6³/₈" (162 mm)
36" Rangetop: 11" (279 mm)
48" Rangetop: 11" (279 mm)



A manual valve must be installed to the appliance, in an accessible location from the front, for the purpose of shutting off the gas supply.

measurements in inches (mm)

NATURAL GAS REQUIREMENTS:

Inlet Connection: 1/2" NPT (min. 3/4" dia. flex line)
Supply Pressure: 6" min. to 14" max. water column (14.9 mb to 34.9 mb)
Manifold Pressure: 5" water column (12.5 mb)

PROPANE GAS REQUIREMENTS:

Inlet Connection: 1/2" NPT (min. 3/4" dia. flex line)
Supply Pressure: 11" min. to 14" max. water column (27.4 mb to 34.9 mb)
Manifold Pressure: 10" water column (24.9 mb)

ELECTRICAL SUPPLY

IMPORTANT: The cord supplied with all-burner gas rangetops requires a NEMA 5-15 receptacle as shown here. Local codes may require a different wiring method.



WARNING: This appliance is equipped with a three-prong grounding plug for protection against shock hazard and should be plugged directly into a properly grounded receptacle. DO NOT cut or remove the grounding prong from this plug. DO NOT ALTER THIS PLUG.

Lot 53 West River



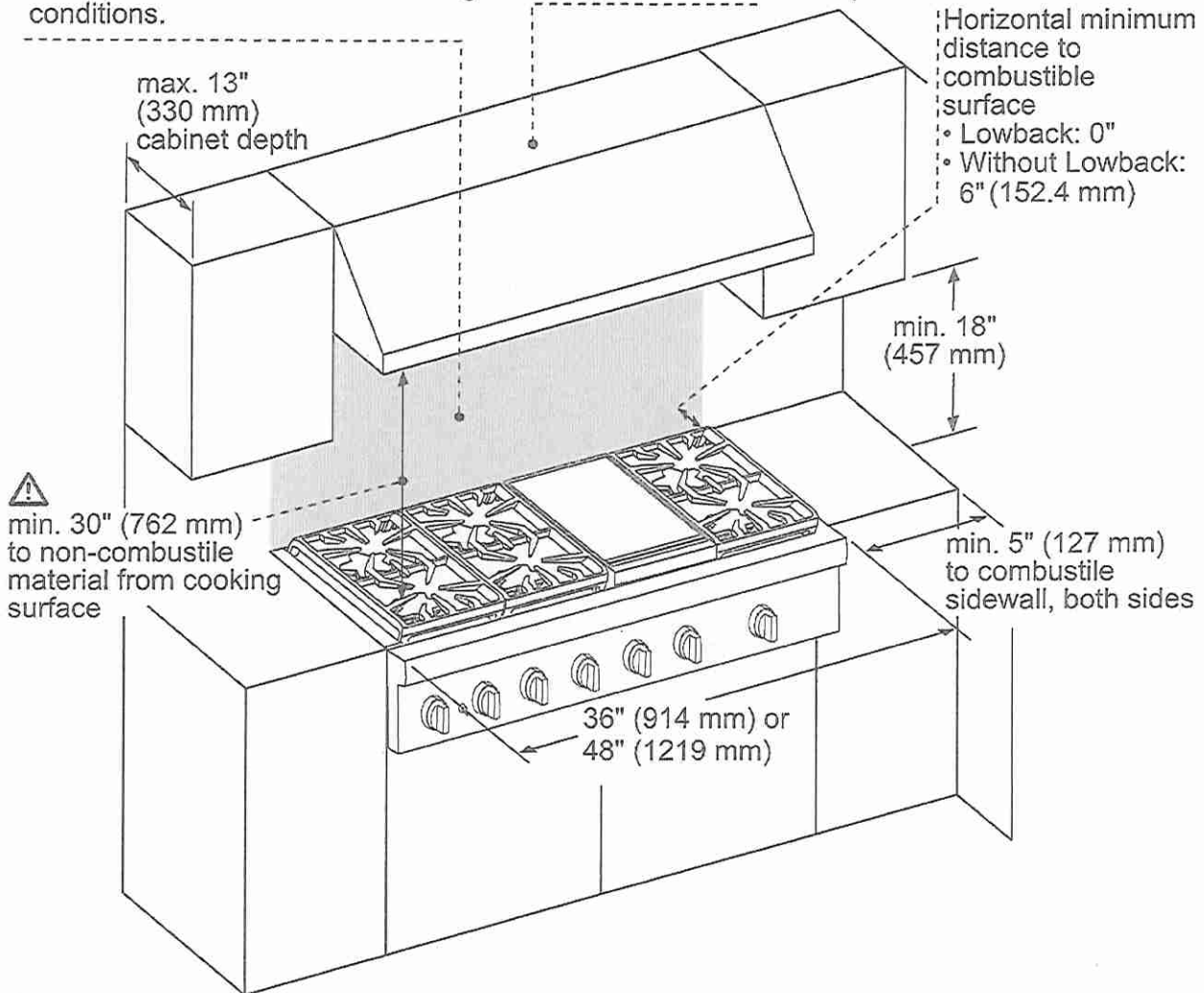
PCG366W 36-INCH GAS RANGETOP PROFESSIONAL SERIES, PORCELAIN COOKTOP SURFACE



36-INCH RANGETOP CLEARANCES

The shaded area behind the rangetop indicates an opportunity to discolor the back wall under certain cooking conditions.

See the Ventilation Planning Guide for recommended hood options



Horizontal minimum distance to combustile surface
 • Lowback: 0"
 • Without Lowback: 6" (152.4 mm)

⚠ min. 30" (762 mm) to non-combustile material from cooking surface

⚠ As defined in the "National Fuel Gas Code" (ANSI Z223.1, Current Edition). Clearances from non-combustible materials are not part of the ANSI Z21.1 scope and are not certified by CSA. Clearances must be approved by the local codes and/or by the local authority having jurisdiction.

measurements in inches (mm)

NOTE: A 36-inch minimum clearance is required between the top of the cooking surface and the bottom of an unprotected cabinet. A 30-inch clearance can be used when the bottom of the wood or metal cabinet is protected by not less than 1/4 inch of a flame retardant material covered with not less than No. 28 MSG sheet steel, 0.015 inch (0.4 mm) thick stainless steel, 0.024 inch (0.6 mm) aluminum, or 0.020 inch (0.5 mm) thick copper.

These warranties give you specific legal rights and you may have other rights that vary from state to state. Full warranty and limited warranty from date of installation. For complete warranty details, refer to your Use & Care manual, or ask your dealer.

Specifications are for planning purposes only. Refer to installation instructions and consult your countertop supplier prior to making counter opening. Consult with a heating and ventilation engineer for your specific ventilation requirements. For the most detailed information, refer to installation instructions accompanying product or write to Thermador indicating the model number. Specifications are correct at time of printing. Thermador reserves the right to change product specifications or design without notice. Some models are certified for use in Canada. Thermador is not responsible for products that are transported from the U.S. for use in Canada.

1 800 735 4328 | USA THERMADOR.COM | CANADA THERMADOR.CA | ©2019 BSH HOME APPLIANCES CORPORATION. ALL RIGHTS RESERVED.

Lot 53
West River



PODMC301W
30-INCH DOUBLE COMBINATION BUILT-IN OVEN
WITH SPEED OVEN
 PROFESSIONAL SERIES



FEATURES & BENEFITS

- Specially crafted gray glass on stainless steel for a luxurious look and finish
- Designed for flexibility—standard or flush installation into kitchen cabinets
- Speed oven with microwave capability can broil and convection bake
- Large commercial style rotisserie with 12 pound capacity
- Multi-point Meat Probe to better capture temperature in roast and poultry

ACCESSORIES (INCLUDED)

Upper Cavity: Metal Turntable, Rack, Ceramic Tray; Lower Cavity: 3 Telescopic Racks, Multi-point Meat Probe, Max Broil Pan, Rotisserie

WARRANTY

Limited Warranty Parts and Labor | 2 Year

GENERAL PROPERTIES

Heating Modes – Upper Cavity

36 CookSmart™ Auto Programs (including True Convection, Speed Convection, Broil, Convection Broil, Heating Programs, Keep Warm) and Microwave Programs

Heating Modes – Lower Cavity

(16) Bake, Broil, Max Broil, Roast, Convection Bake, Convection Broil, Max Convection Broil, Convection Roast, Proof, Warm, Pizza, True Convection, Dehydrate, Speed Convection, Slow Roast, Rotisserie

Sabbath	Yes
Cleaning Type – Lower Cavity	Easy Clean and Self Clean
Telescopic Rack(s)	3
Illumination Type	Upper Cavity LED Lower Cavity Halogen
Interior Lights	Upper Cavity 1 Lower Cavity 2
Home Connect (Wi-Fi Enabled)	Yes, Lower Oven Only

OVEN PERFORMANCE

Microwave Power	1,000 W
Bake / Broil Element	Upper Cavity 600 W / 1,750 W Lower Cavity 2,400 / 1,000 / 3,800 W
Convection Element	Upper Cavity 1,700 W Lower Cavity 2,000 W

TECHNICAL DETAILS

Watts	10,200 W
Circuit Breaker	50 A
Volts; Frequency	240 / 208 V; 60 Hz
Plug Type	Fixed Connection, No Plug
Conduit	60" 4-Wire
Energy Source	Electric

DIMENSIONS & WEIGHT

Overall Appliance Dimensions (HxWxD)	49" x 29 3/4" x 24 1/2"
Trim Overlaps (Top – Sides – Bottom)	1/2" – 9/16" – 0"
Required Cutout Size (HxWxD) – Standard	48 1/2" x 28 1/2" x 23 1/2"
Required Cutout Size (HxWxD) – Flush	49 1/8" x 30" x 24 1/2"
Speed Oven Capacity	1.6 cu. ft.
Oven Capacity	4.5 cu. ft.
Overall Lower Oven Interior Dimensions (HxWxD)	17 3/4" x 24" x 17 7/8"
Usable Lower Oven Interior Dimensions (HxWxD)	13 1/2" x 21 5/8" x 16 1/4"
Net Weight	267 lbs

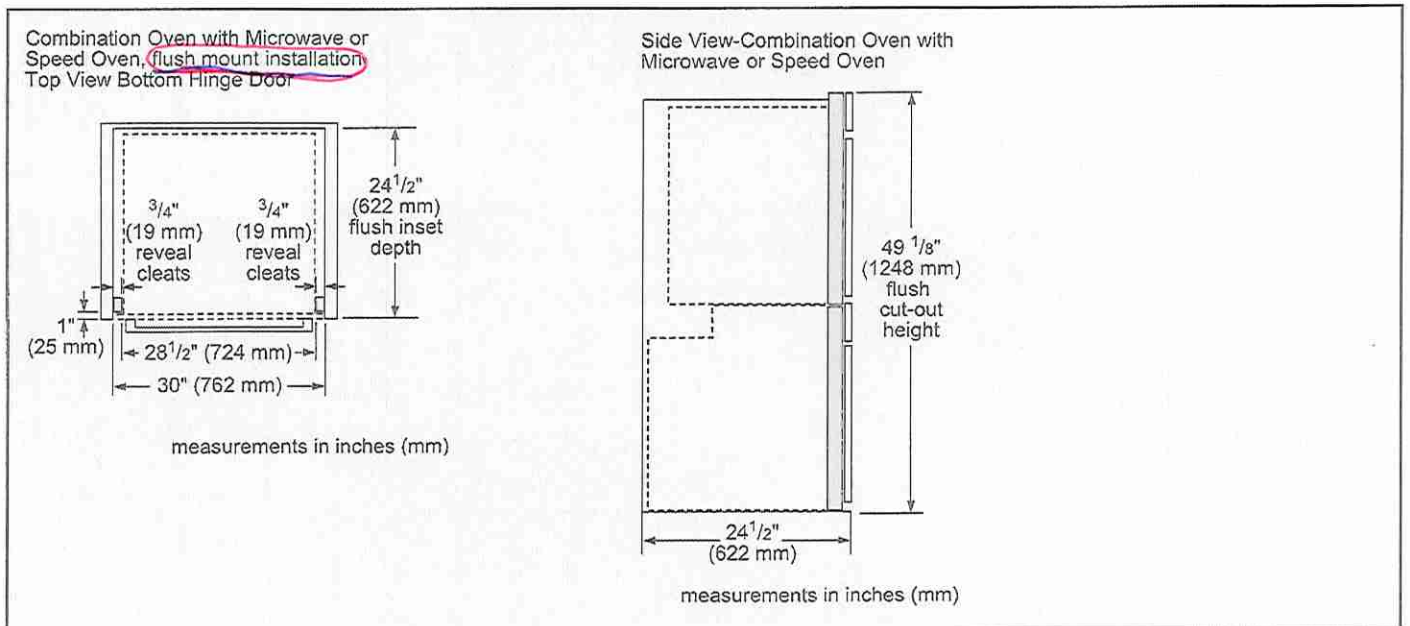
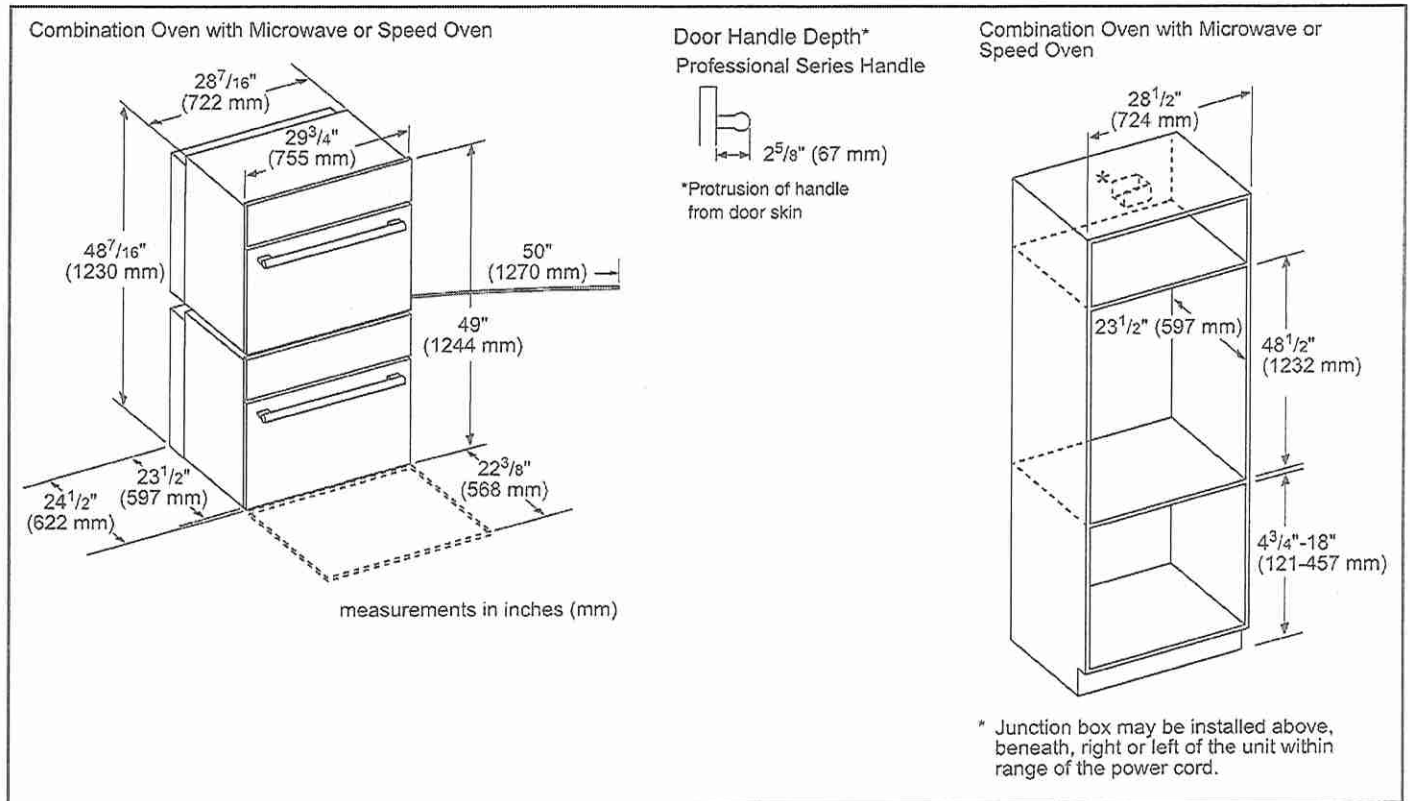
Lot 53 West River



PODMC301W 30-INCH DOUBLE COMBINATION BUILT-IN OVEN WITH SPEED OVEN PROFESSIONAL SERIES



30-INCH DOUBLE COMBINATION OVEN WITH SPEED OVEN



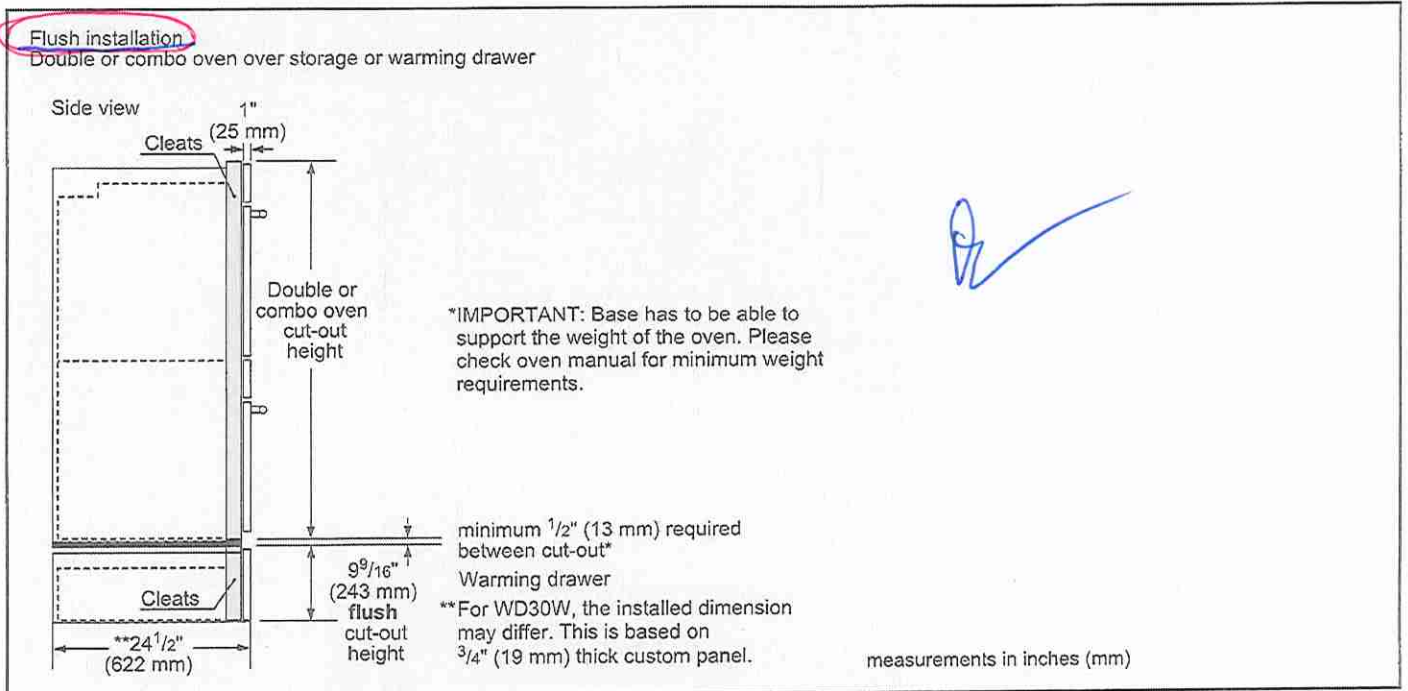
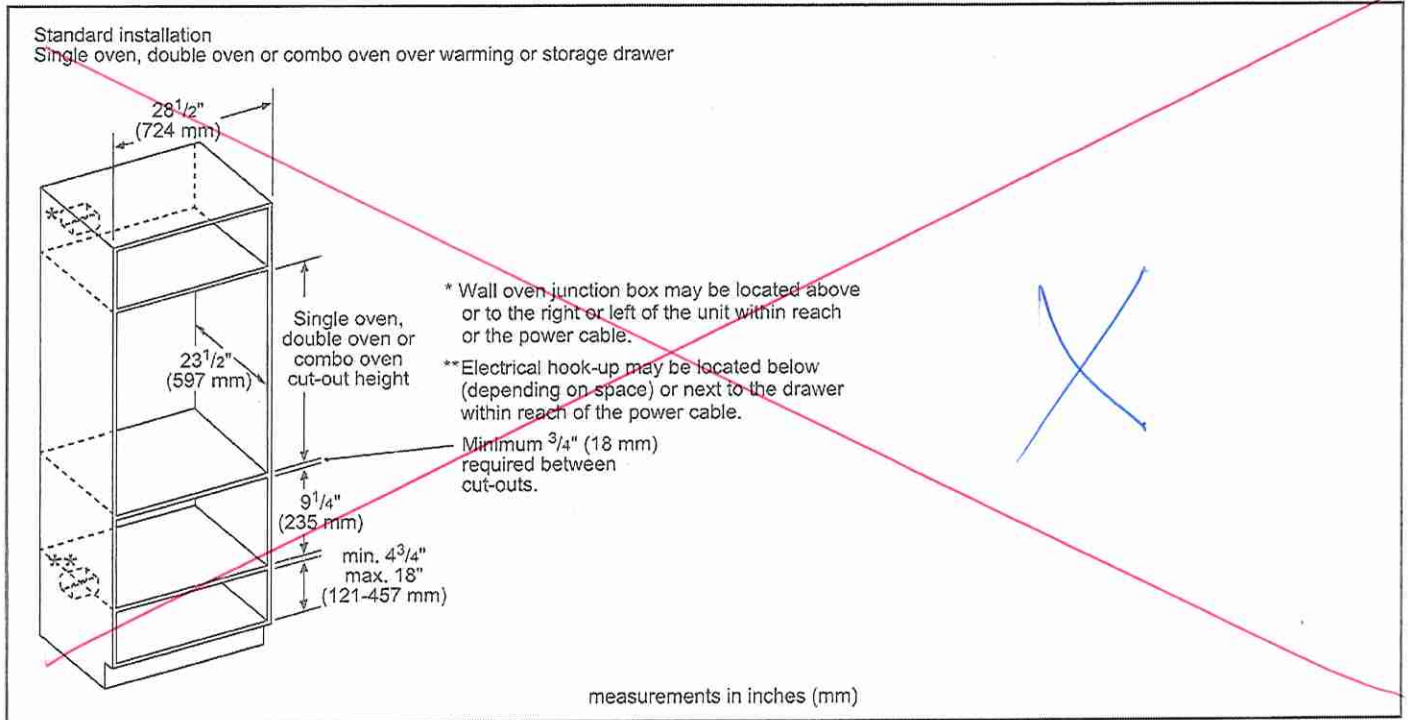
Lot 53 West River

(Handwritten initials)

PODMC301W 30-INCH DOUBLE COMBINATION BUILT-IN OVEN WITH SPEED OVEN PROFESSIONAL SERIES

Thermador★

INSTALLATION DETAILS



These warranties give you specific legal rights and you may have other rights that vary from state to state. Full warranty and limited warranty from date of installation. For complete warranty details, refer to your Use & Care manual, or ask your dealer.

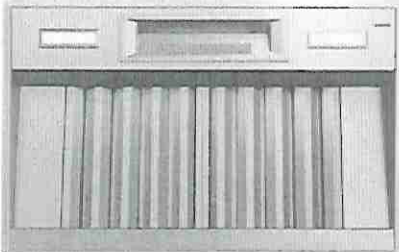
Specifications are for planning purposes only. Refer to installation instructions and consult your countertop supplier prior to making counter opening. Consult with a heating and ventilation engineer for your specific ventilation requirements. For the most detailed information, refer to installation instructions accompanying product or write to Thermador indicating the model number. Specifications are correct at time of printing. Thermador reserves the right to change product specifications or design without notice. Some models are certified for use in Canada. Thermador is not responsible for products that are transported from the U.S. for use in Canada.

1 800 735 4328 | USA THERMADOR.COM | CANADA THERMADOR.CA | ©2020 BSH HOME APPLIANCES CORPORATION. ALL RIGHTS RESERVED.

Lot 53
West River

(Handwritten initials)

VCIN36GWS
36-INCH CUSTOM INSERT
PROFESSIONAL® SERIES



FEATURES & BENEFITS

- Revel in creative freedom with Professional® Series custom inserts that can blend in with cabinetry or make a bold statement
- ★- Equipped with the Thermador Connected Experience by Home Connect™
- Powerfully Quiet® system accepts integral, inline, and remote blowers
- Beautiful illumination with multi-level, vivid LED lights
- Features automatic mode, delay shut-off, and check filter light

ACCESSORIES (OPTIONAL)

- 25 ft. Blower Connector Cable - EXTNCB25W
- For use with the following inline and remote blowers: VTR1FZ, VTR2FZ, VT11FZ, VT12FZ
- Roofplates
- RFPLT600P - For use with 600 CFM remote blower VTR1FZ
- RFPLT1000P - For use with 1000 CFM remote blower VTR2FZ
- VCIN Trim Notes
- NOTE: VCIN_GWS series custom insert models include hood trim pieces to complete the installation.
- Remote Control Panel
- REMCPW - Ability to vertically install on cabinetry or wall to control hood in a convenient location



GENERAL PROPERTIES

Features	
Multi-Level LED Lights with Fading Transitions, Automatic Mode, Check Filter Reminder Light, Delay Shut-Off	
Operating Mode	Ducted
Maximum CFM	Blower Sold Separately
Number of Speed Settings	4-Stage
Number of Lights	2
Bulb Type	LED
Light Lumens	100 – 150
Light Color	3500 – 4000 °K
Total Power of the Lamps	2.4 W
Damper Included	Yes
Grease Filter Material	Aluminum*
Grease Filter Type	Commercial Style Baffle Filter
Home Connect™ (Wi-Fi Enabled)	Yes

TECHNICAL DETAILS

Watts	See Chart on Page 3
Current	See Chart on Page 3
Volts	120 V
Frequency	60 Hz
Plug Type	Fixed Connection

DIMENSIONS & WEIGHT

Overall Appliance Dimensions (Width of Canopy Included) (HxWxD)	12 13/16" x 33 3/4" x 22"
Minimum Distance Above Gas / Electric Cooking Surface	30" Electric / 30" Gas
Diameter of Air Duct Top	10"
Net Weight	54 lbs

ACCESSORIES (REQUIRED)

Blower (Sold Separately)

BLOWER OPTIONS

Remote Blowers (Mounted to Roof or External Wall)	VTR1FZ - 600 CFM
	VTR2FZ - 1000 CFM
Inline Blowers (Mounted Between Kitchen and External Wall)	VT11FZ - 600 CFM
	VT12FZ - 1000 CFM
Integrated Blower (Mounted in Hood)	VTN2FZ - 1000 CFM

WARRANTY

Limited Warranty Parts and Labor	2 Year
----------------------------------	--------

*Transition to aluminum starting in Fall 2022

★ THERMADOR® EXCLUSIVE

Lot 53
West River

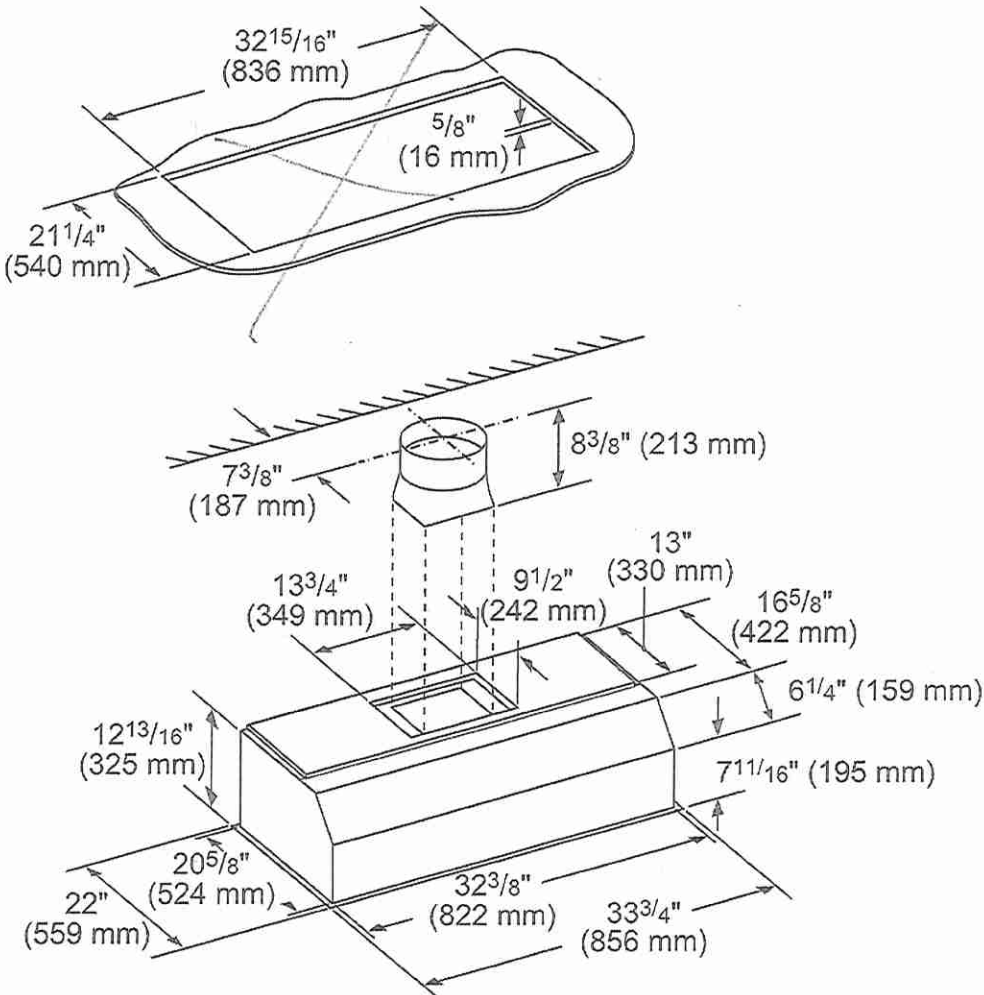
ll mf

VCIN36GWS
36-INCH CUSTOM INSERT
PROFESSIONAL® SERIES



HOOD DIMENSIONS

NOTE: VCIN Custom Insert models include hood trim pieces.



✓ ll mf

measurements in inches (mm)

Lot 53 West River

Handwritten initials: R, ME

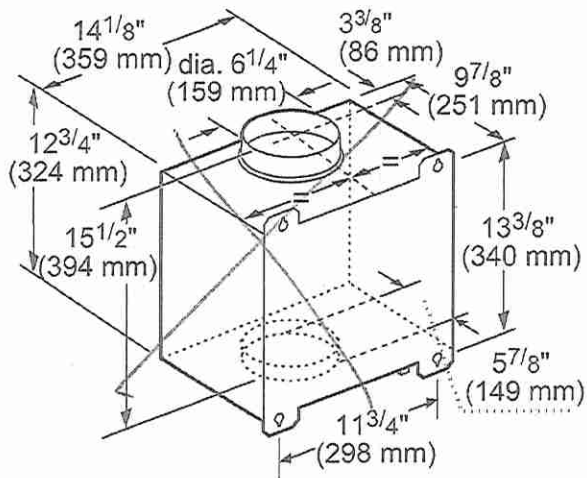
VCIN36GWS 36-INCH CUSTOM INSERT PROFESSIONAL® SERIES

Thermador ★

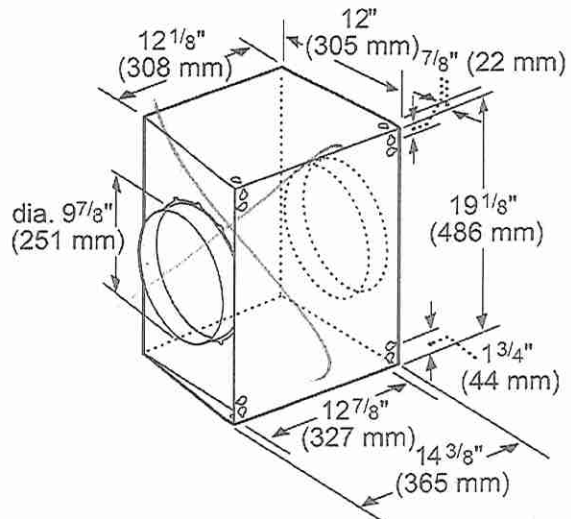
INLINE BLOWERS (MOUNTED BETWEEN KITCHEN AND EXTERNAL WALL)

VTI1FZ-600 CFM

VTI2FZ-1000 CFM



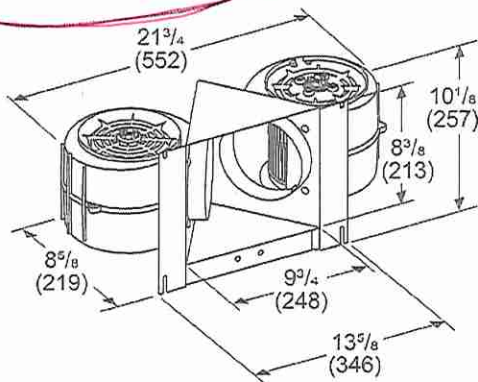
measurements in inches and mm



measurements in inches and mm

INTEGRATED BLOWERS (MOUNTED IN HOOD)

VTN2FZ-1000 CFM



Measurements in inches (mm)

Handwritten initials: R

Handwritten initials: ME

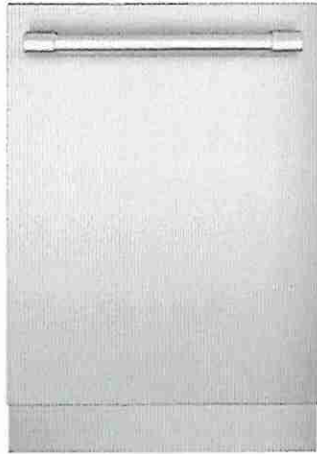
HVI PERFORMANCE VALUES (CFM & SONES)

VCIN36GWS WITH BLOWER VTN2FZ								
Exhaust	Pressure (in. H ₂ O)		Amps (@ 0.1 SP)		CFM		Sones	
	High Speed	Working Speed	High Speed	Working Speed	High Speed	Working Speed	High Speed	Working Speed
Vertical	0.1	0.018	6.92	3.27	920	380	14.5	3.0

Lot 53
West River



DWHD560CFP
EMERALD® 5-PROGRAM DISHWASHER
PROFESSIONAL SERIES HANDLE



Home Connect

Also Available In:

DWHD560CFM – Flat Stainless Steel Panel with Masterpiece® Series Handle

DWHD560CPR – Custom Panel

FEATURES & BENEFITS

- Chef's Tool Drawer (3rd Rack) is designed to make loading and unloading tools and hard to place items extraordinarily easier
- Sens-A-Wash® measures water cleanliness and adjusts wash cycle
- Three stage advanced filtration recirculates water for sparkling results
- 3-Level adjustable upper rack is customizable for all of your needs, designed to be raised for extra large items placed on the bottom rack, or lowered to fit taller wine glasses on the upper rack
- Extra Dry Option adds extra heat to the final rinse to enhance drying results
- Impressively Quiet® — 48 dBA for peaceful kitchen experience
- Thermador connected experience by Home Connect enables exclusive dishwasher features and appliance interaction through app, voice, smartwatch and more

GENERAL PROPERTIES

Number Of Wash Cycles	5
Number Of Options	6
NSF®-Certified* Sanitize Option	Yes
dBA	48
Third Rack	Chef's Tool Drawer®
Rack Adjustability	Rackmatic 3-Stage
Tub Material	Stainless Steel
Control Type	Touch Control
Concealed Water Heating Element	Yes
Leak Protection System	24/7 AquaStop®
Water Softener	No
Five-Level Wash	Yes
Childlock	No
Home Connect (Wi-Fi Enabled)	Yes

EFFICIENCY

Water Usage Per Cycle	3.5 g
Energy Efficiency Class	Tier 1
ENERGY STAR® Certified	No
Total Annual Energy Consumption	269 kWh
Total Annual Water Consumption	624 g

CAPACITY

Number Of Place Settings	16
--------------------------	----

TECHNICAL DETAILS

Watts	1,440 W
Current	12 A
Volts	120 V
Frequency	60 Hz
Power Cord Length	67"
Power Cord Install Length from Corner of Unit when Facing the Door	Left - 45" Right - 56"
Minimum Water Pressure	14 (lb/sin)
Max. Temperature for Water Intake	140° F
Length Inlet Hose	N/A
Length Outlet Hose	79"

DIMENSIONS & WEIGHT

Overall Appliance Dimensions (HxWxD)	33 7/8" x 23 9/16" x 23 3/4"
Required Cutout Size (HxWxD)	33 7/8" Min. x 24" Min. x 24"
Adjustable Feet	Yes
Net Weight	93 lbs

*Certification to NSF/ANSI Standard 184 for residential dishwashers

Lot 53

West River

LA MD

DWHD560CFP EMERALD® 5-PROGRAM DISHWASHER PROFESSIONAL SERIES HANDLE



WARRANTY	
Limited Warranty, Entire Appliance, Parts and Labor	2 Year
Limited Warranty for Microprocessor or Printed Circuit Board; Parts Only	3rd to 5th Year
Limited Warranty for Racks (Does Not Include Rack Components); Parts Only	3rd to 5th Year
Limited Warranty for Rust-through On Inner Tub Liner; Parts Only	Lifetime

ACCESSORIES (OPTIONAL)	
Dishwasher Installation Kit (Junction Box, 90° Elbow and Water Supply Hose)	SMZ3IN1UC
Dishwasher Supply and Drainage Hose Extension 76 3/4"	SGZ1010UC
Junction Box	SMZPCJB1UC
Cabinet Protector with Power Cord Clip	SMZEPCC1UC
Water supply hose	SMZSH002UC
Dishwasher Accessory Kit**	SMZ5000
Duo Silverware basket	SMZ4000UC
Fine Silverware Carafe	SMZ5002UC

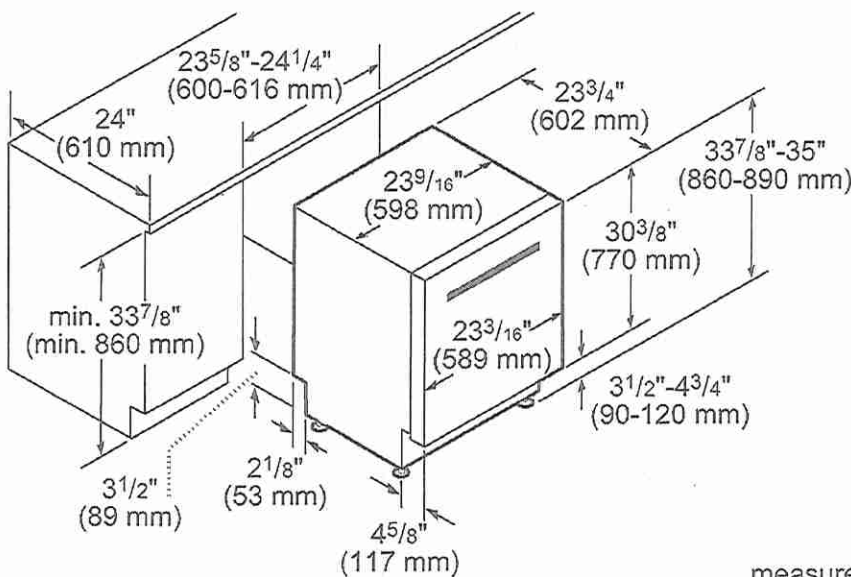


**Accessory Kit includes Extra-Tall-Item Sprinkler, Vase / Bottle Holder, 3 Plastic Item Clips and Small Item Basket



Fine Silverware Carafe

DISHWASHER & CUTOUT DIMENSIONS



measurements in inches and mm

These warranties give you specific legal rights and you may have other rights that vary from state to state. Limited warranty from date of purchase. For complete warranty details, refer to your Use & Care manual, or ask your dealer.

Specifications are for planning purposes only. Refer to installation instructions and consult your countertop supplier prior to making counter opening. Consult with a heating and ventilation engineer for your specific ventilation requirements. For the most detailed information, refer to installation instructions accompanying product or write to Thermador indicating the model number. Specifications are correct at time of printing. Thermador reserves the right to change product specifications or design without notice. Some models are certified for use in Canada. Thermador is not responsible for products that are transported from the U.S. for use in Canada.

1 800 735 4328 | USA THERMADOR.COM | CANADA THERMADOR.CA | ©2022 BSH HOME APPLIANCES CORPORATION. ALL RIGHTS RESERVED.

Lot 53 West River



BLANCO

Sink Specifications

Colour **SKU**
brushed finish **401519**

QUATRUS R15 U 2

Stainless steel brushed finish

* Kitchen sink

Design and planning tips

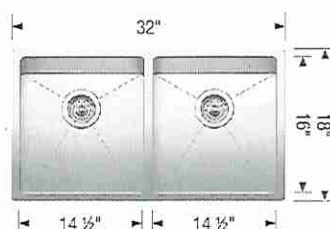
- Min cabinet size: 36 in (915 mm)
- Bowl Depth: 9 in (230.0 mm)

Specifications:

Sink template, Mounting clips, Installation instructions, 3 ½" (90 mm) stainless steel strainers

Depending on cabinet construction, a different cabinet size may be required. Consult the cabinet manufacturer.

Codes/Standards: ASME A112.19.3-2017/ CSA B45.4-17



* Installed w standard Faucet

Optional Accessories

Ash Cutting Board 406345
CapFlow Strainer Cover 517666
Sink Grid 406454

Warranty

Limited lifetime warranty on all sinks and faucets. One-year warranty on all accessories and soap dispensers.

Code/Standards Compliance

BLANCO sinks and faucets are third-party tested and certified to CSA, cUPC, ANSI/ASME, IAPMO and NSF standards and listed by applicable certification bodies. For more information on individual product listings, contact our office or listing organization.



Need support? Learn more by watching our sink & faucet How-to videos:
<https://www.blanco.com/ca-en/support/how-to-videos/how-to-videos-for-sinks/>



BLANCO Canada Inc
100 Corporation Drive
Brampton ON L6S 6B5

Tel & Fax
Tel: 905-494-2400 Toll free: 1-877-425-2626
Fax: 905-494-2425 Toll free: 1-877-825-2626

While BLANCO strives to provide accurate information, all images and dimensions in this document are intended for reference only and are subject to change at any time without notice. This document is not intended for use as an installation guide. For technical installation details, refer to installation instructions provided with the product. BLANCO assumes no responsibility for the use of superseded or voided specifications.

Lot 53 West River



MOEN®

Specifications

DESCRIPTION

- Metal construction with various finishes identified by suffix
- 1/2" IPS connection

OPERATION

- Flow levers operate counterclockwise through 180 degree arc with shut off at 6 o'clock and maximum flow at the 12 o'clock position. Shut off in clockwise direction


FLOW

- 5.5 gpm @ 60 psi

CARTRIDGE

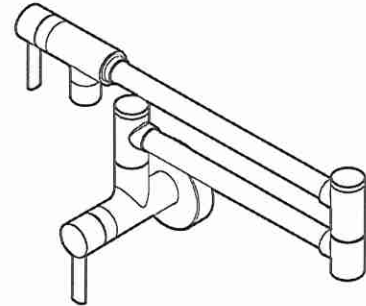
- 1224 cartridge design
- Nonmetallic and stainless steel materials

STANDARDS

- Third party certified to ASME A112.18.1/CSA B125.1 and all applicable requirements therein including NSF 61/9
- Contains no more than 0.25% weighted average lead content
- Complies with California Proposition 65 and with the Federal Safe Drinking Water Act
- ADA  for lever handle

WARRANTY

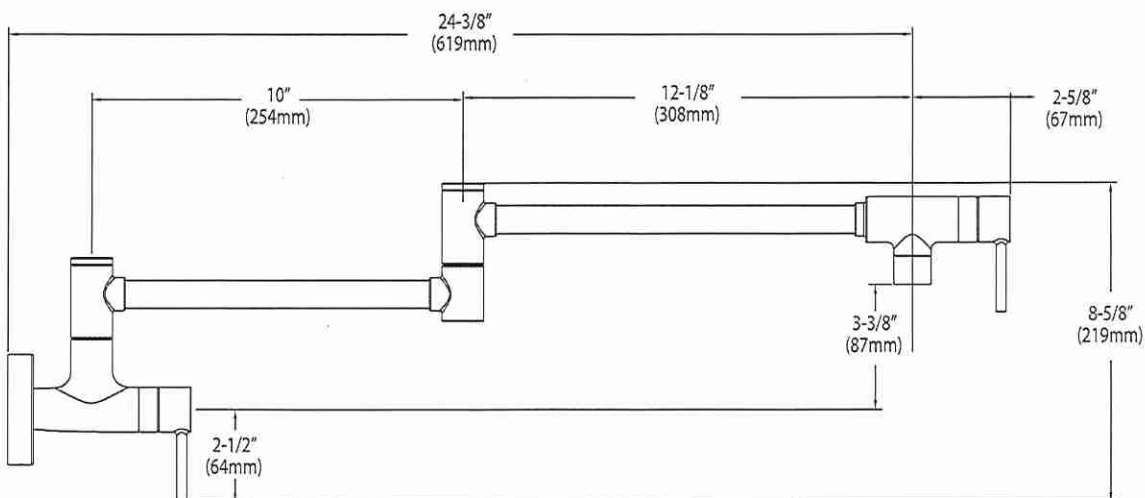
- Lifetime limited warranty against leaks, drips and finish defects to the original homeowner
 - 10 year limited warranty when used in a multifamily installation
 - 5 year limited warranty when used in a commercial installation
- Visit www.moen.com/support for complete details and limitations



Pot-Filler Faucet

Models: S665 series

*Chrome



CRITICAL DIMENSIONS

(DO NOT SCALE)

FOR MORE INFORMATION CALL: 1-800-BUY-MOEN

www.moen.com

Lot 53 West River

GR m-d

SINK | UNDERMOUNT



EMERY

ITEM DETAILS

OUTER DIMENSIONS 21½" W x 14" D x 8¼" H

INNER DIMENSIONS 19½" W x 12" D x 6¼" H

MATERIAL Vitreous china

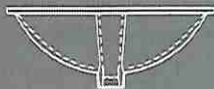
COLOUR Soft white

Rectangular undermount sink | Front overflow hole | Sloped bowl design | 8¼" Bowl depth | Template and hardware supplied | Faucet not included

CERTIFICATIONS

| IAPMO cUPC

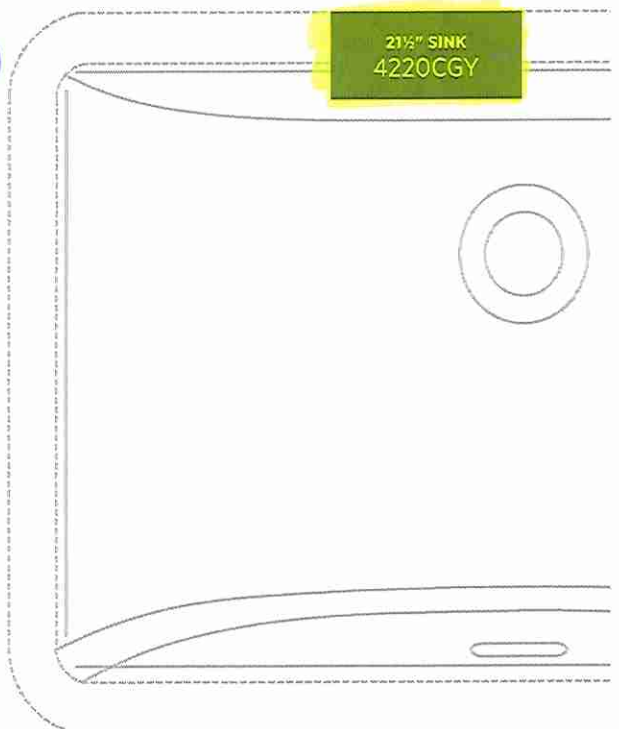
| ASME A112.19.2 / CSA B45.1



*Install w/ Builders Standard Faucet

* Powder Room (x1)
* Master Ensuite (x2)

21½" SINK
4220CGY



ISSUED JULY 2019

contrac

CONTRAC.CA
CONTRAC.US

2019 CONTRAC CATALOGUE

83

Lot 53 West River

Az me

SINK | UNDERMOUNT



CATENA

ITEM DETAILS

* Twin Bath 2/3 (x2)

OUTER DIMENSIONS 20" W x 15 3/8" D x 7 1/2" H

* Bath #4 (x2)

INNER DIMENSIONS 18" W x 13 3/8" D x 5 1/2" H

MATERIAL Vitreous china

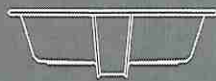
COLOUR Soft white

Rectangular undermount sink | Front overflow hole | Template and mounting hardware supplied | Faucet not included

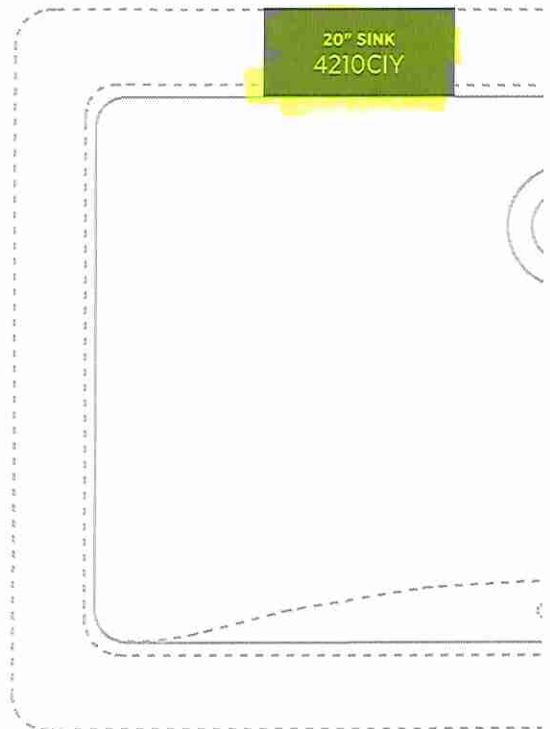
CERTIFICATIONS

| IAPMO cUPC

| ASME A112.19.2 / CSA B45.1



* Install w Builders Standard Faucet



ISSUED JULY 2019

contrac

CONTRAC.CA
CONTRAC.US

2019 CONTRAC CATALOGUE

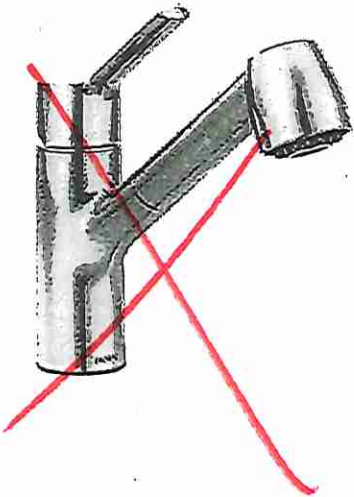
81

Lot 53 West River

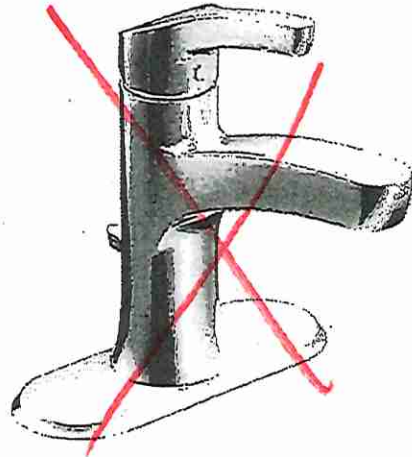
AP MF

NOTA
PLUMBING & HEATING INC
10495 Keele Street, Unit 2 • Maple • ON • L6A 3Y9

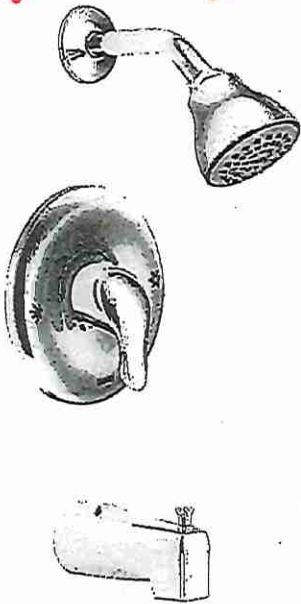
Integra, Chateau Standard



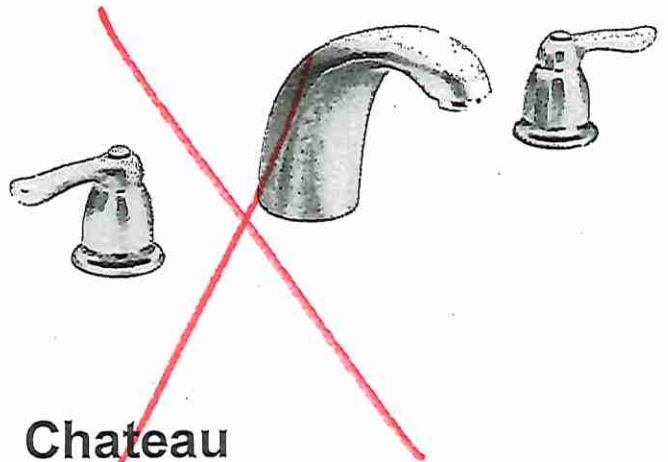
Method Pull-Out Chrome
Kitchen Model 7585c



Danika
Lavatory Model WSL84733



Chateau
Tub and Shower TL183EP/62380



Chateau
Roman Tub
T994/4798

- * Master Ensuite
- * Twin Bath 2/3
- * Bath #4

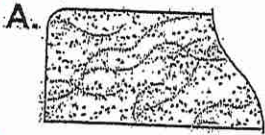
* Add Toe Tester

Lot 53 West River

(A) (me)

EDGE DETAILS

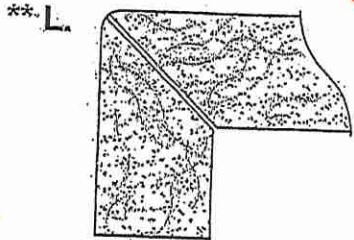
004



A.
STRAIGHT EDGE
(STANDARD - 3/4")

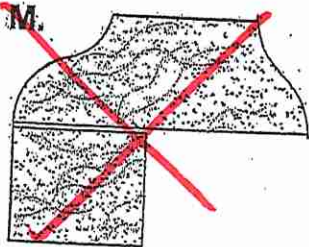
Powder Room
Master Ensuite
Twin Bath 2/3

Bath #4



**L
MITER WITH SKIRT EDGE
(MEDIUM - 1 1/2")

Kitchen



M.
OGEE - SQUARE EDGE
(MED./HIGH - 1 1/2")

EDGING UP-GRADE OPTIONS

RECEIVED
OCT 5 17