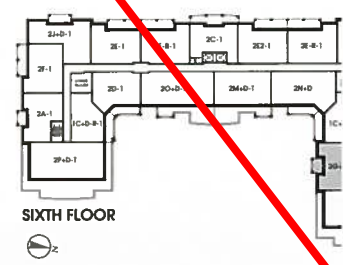
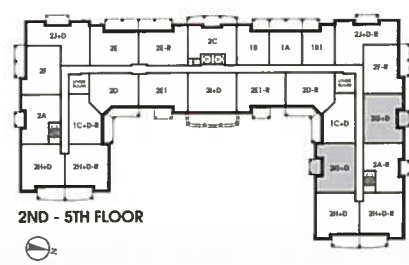
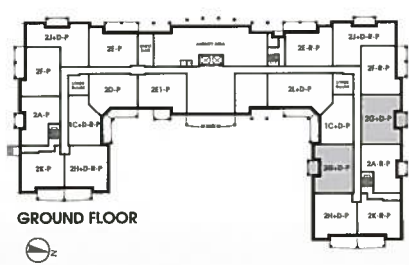
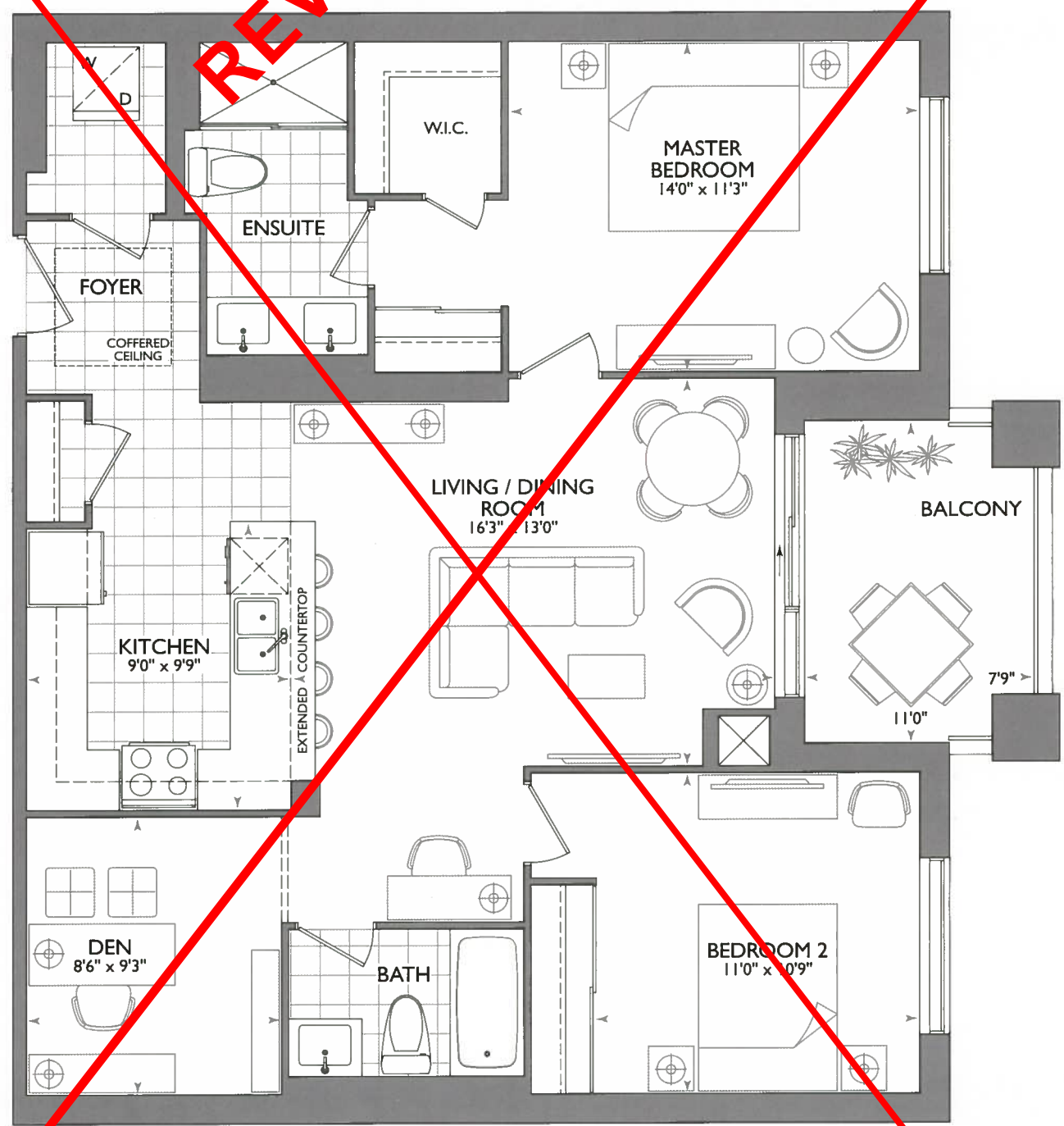




Noyac Bay

1,121 SQ FT plus 81 sq. ft. of balcony area

REVISED

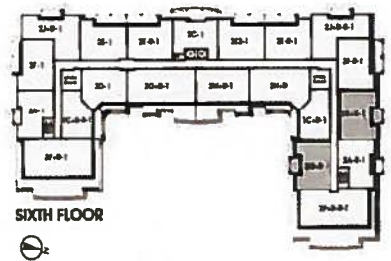
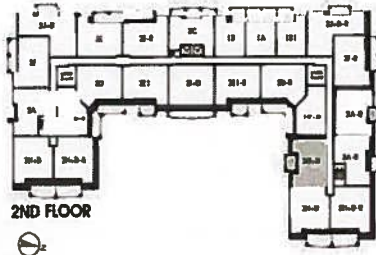
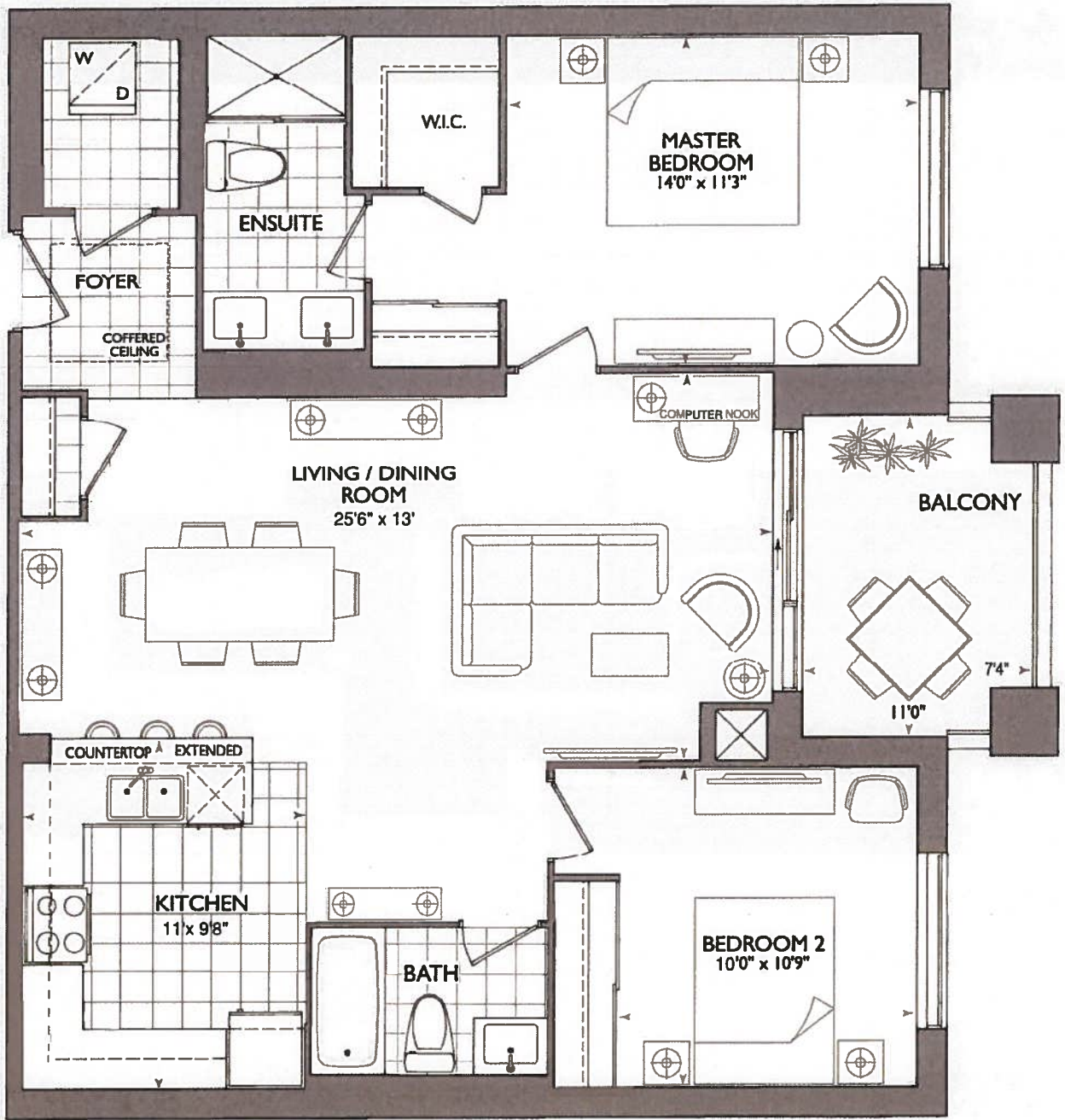




Noyac Bay

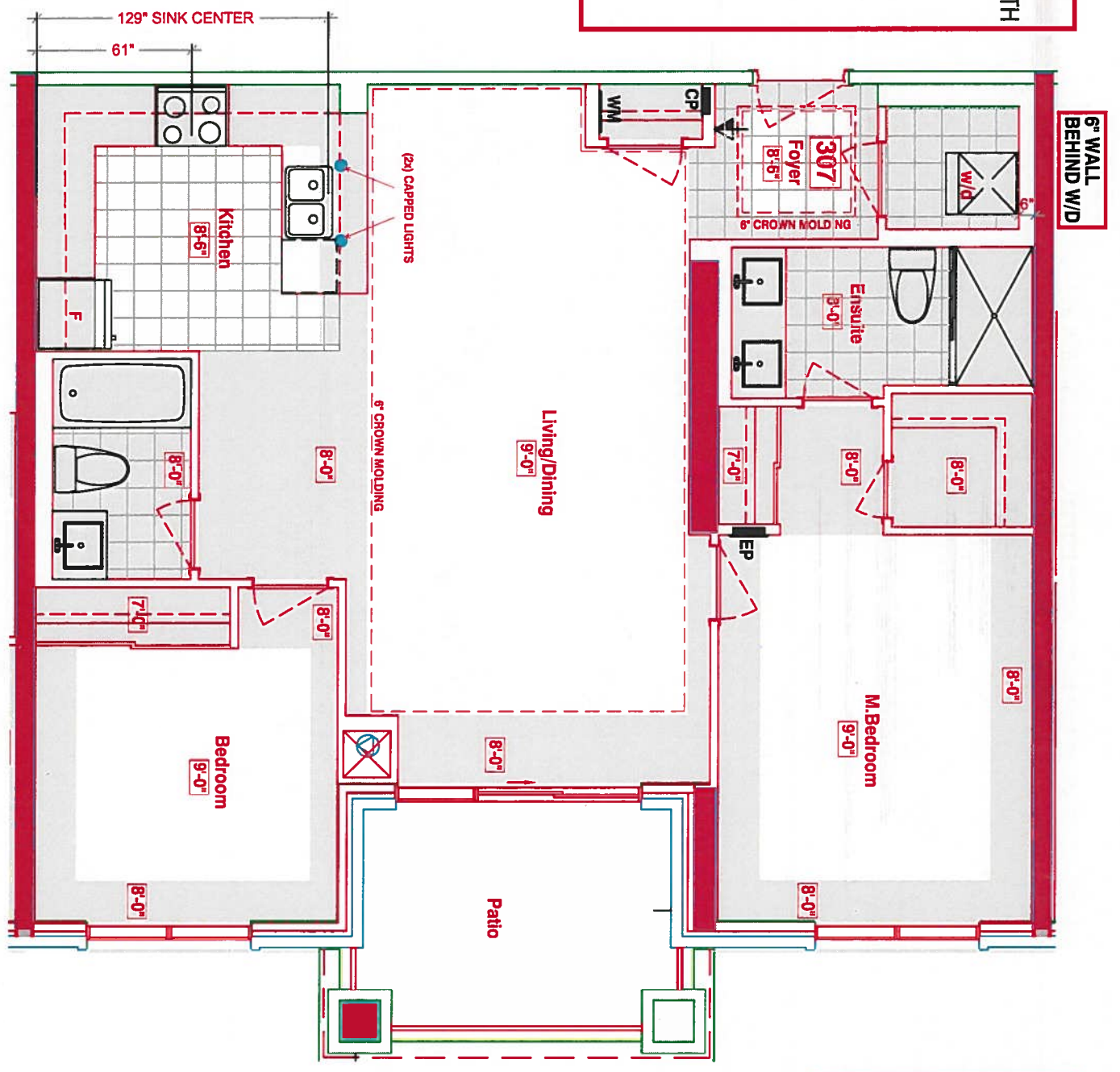
1,121 SQ FT plus 76sq. ft. of balcony area

SUITE 307
ORIGINAL LAYOUT
INVENTORY SUITE



Plans and specifications are subject to change without notice. Actual usable floor space may vary from the stated floor area. All renderings are artist's concept. E. & O. E.

*** KITCHEN ***
 CHOICE OF STD. KITCHEN LAYOUT WITH
 STD. APPLIANCE PACKAGE
 OR
 CAN UPGRADE AT DECOR CENTER
 -(X2) CAPPED PENDANT
 -(X1)
 -(X) PUCK LIGHTS
 *SEE ATTACHED UPG.
 #1- KITCHEN LAYOUT WITH 1ST UPG.
 APPLIANCE PACKAGE



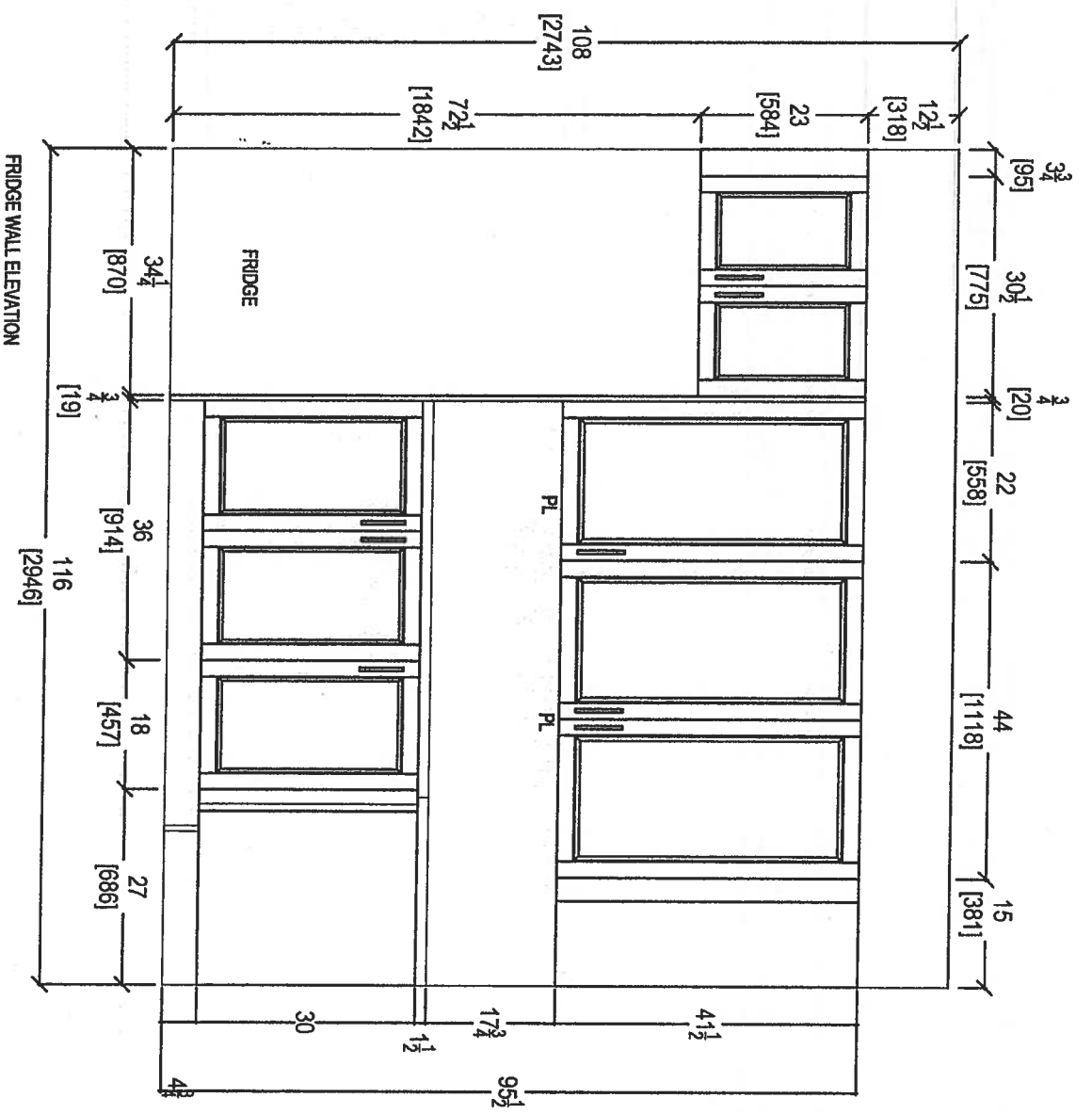
*** SUITE 307 * (INVENTORY SUITE)**
 NEW PLAN
 -REMOVED DEN
 -REVISED KITCHEN
 *REVISED LAUNDRY DOOR SWING &
 ENSUITE WALL AS PER THIS BROCHURE

LEGEND:

- SECURITY PANEL
- ELECTRICAL PANEL
- COMMUNICATION PANEL
- WATER METER
- FRIDGE
- DROPPED AREA
- 6" CROWN MOLDING

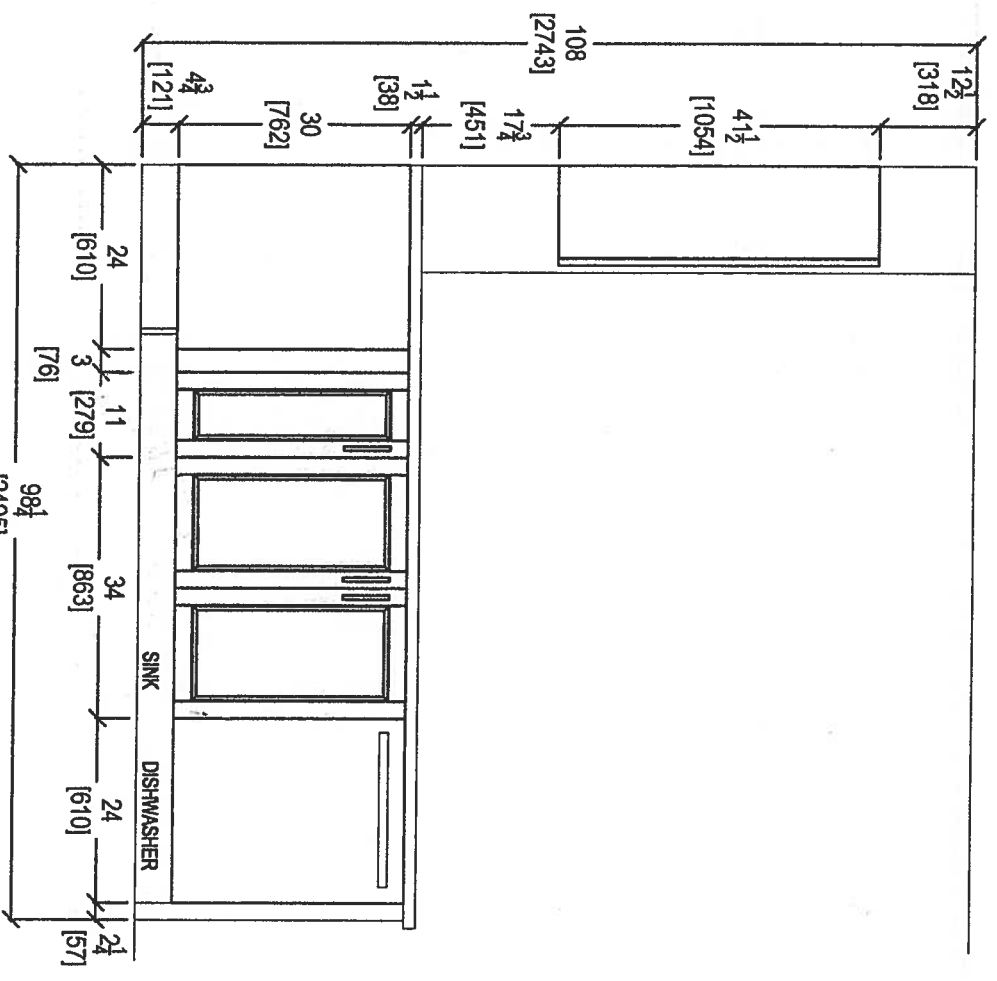


Your kitchen, your taste.
 80 SANTE DRIVE, VAUGHAN, ON L4K 3C4,
 T: 416.746.1811 F:905.761.9801

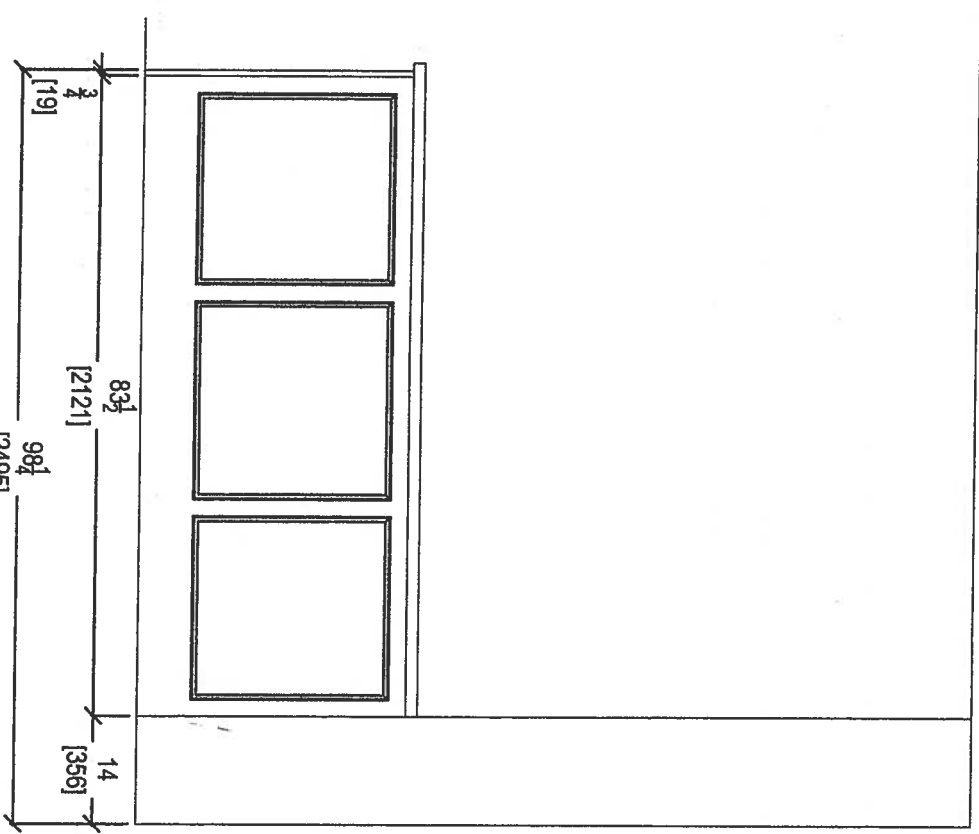


CLIENT: ROYAL PINE HOMES	NOVAC BAY (29)	ROOM: KITCHEN	DRAWN BY: SK
SITE: HAMPTON PLACE	DOOR STYLE: --	DOOR HANDLE: --	SCALE: 1/2" = 1'-0"
PHONE: --	FINISH: --	DRW HANDLE: --	DATE: MARCH 8, 2018
EMAIL: --	SPECIES: --	TOP: --	PAGE: --

COMMENTS:
 PLEASE NOTE ALL DIMENSIONS
 ARE NOT FINAL AND ARE
 SUBJECT TO CHANGE UPON
 FINAL SITE MEASURE



KITCHEN PENINSULA ELEVATION
FRONT VIEW



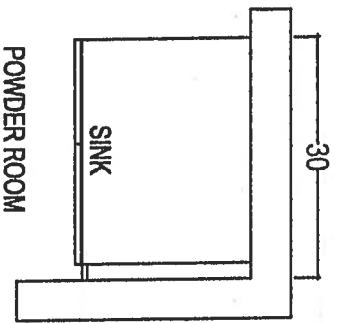
KITCHEN PENINSULA ELEVATION
REAR VIEW



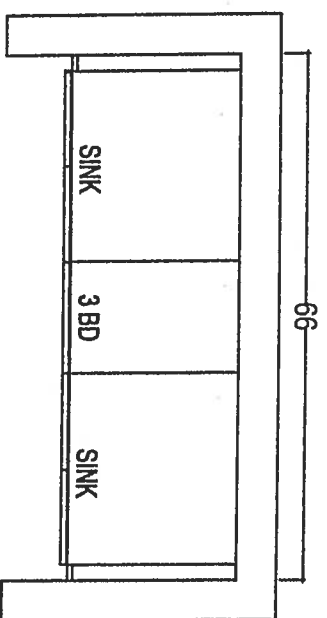
Your kitchen, your taste.
80 SANTE DRIVE, VAUGHAN, ON L4K 3C4,
T: 416.746.1811 F: 905.781.5801

CLIENT: ROYAL PINE HOMES	NOVAC BAY (2G)	ROOM: KITCHEN	DRAWN BY: SK
SITE: HAMPTON PLACE	DOOR STYLE: ---	DOOR HANDLE: ---	SCALE: 1/2" = 1'-0"
PHONE: ---	FINISH: ---	DRW HANDLE: ---	DATE: MARCH 8, 2018
EMAIL: ---	SPECIES: ---	TOP: ---	PAGE: ---

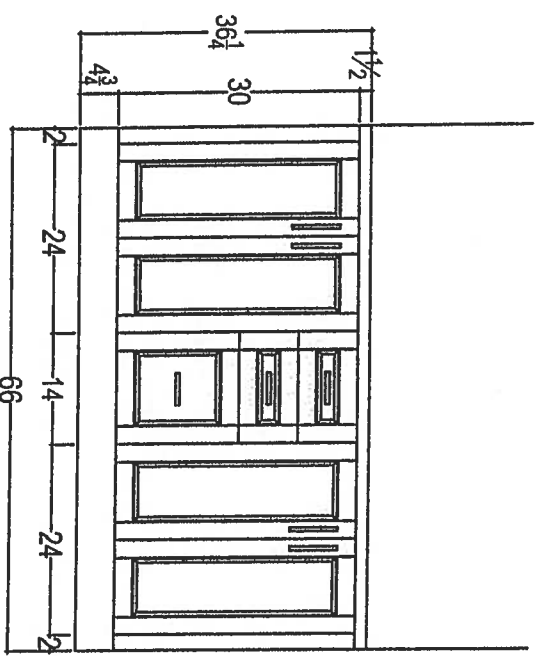
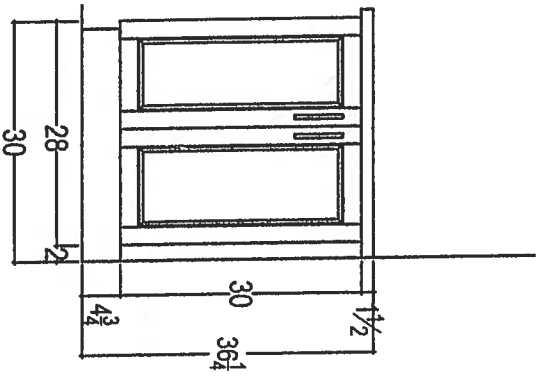
COMMENTS:
PLEASE NOTE ALL DIMENSIONS
ARE NOT FINAL AND ARE
SUBJECT TO CHANGE UPON
FINAL SITE MEASURE



POWDER ROOM



MASTER ENSUITE

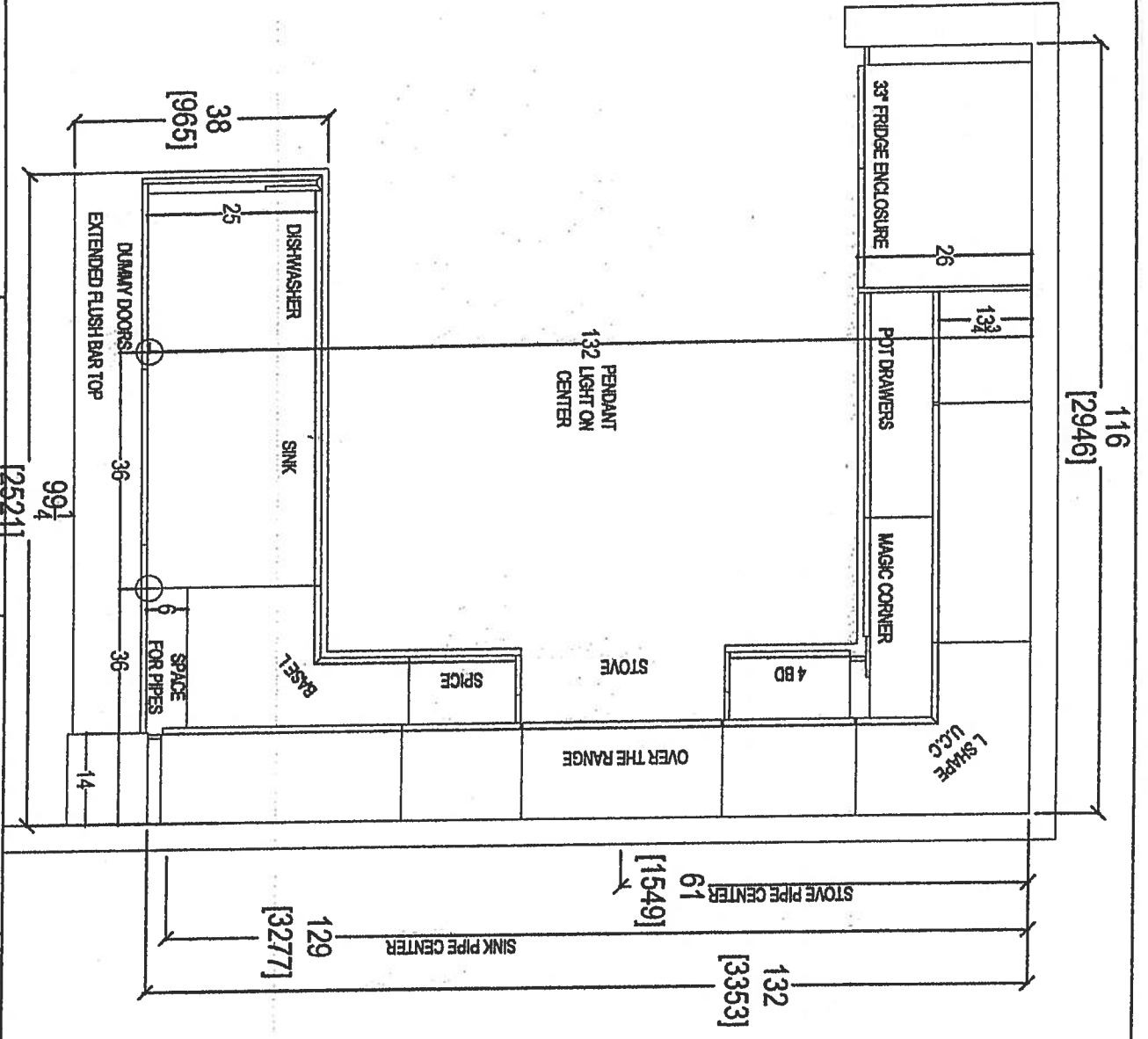


CLIENT: ROYAL PINE HOMES	NOYAC BAY (2G)	ROOM: VANITIES	DRAWN BY: SK
SITE: HAMPTON PLACE	DOOR STYLE: —	DOOR HANDLE: —	SCALE: 1/2" = 1'-0"
PHONE: —	FINISH: —	DRW HANDLE: —	DATE: MARCH 8, 2018
EMAIL: —	SPECIES: —	TOP: —	PAGE: —



80 SANTE DRIVE, V
T: 416.748.1
ON LAK 304,
761.5901

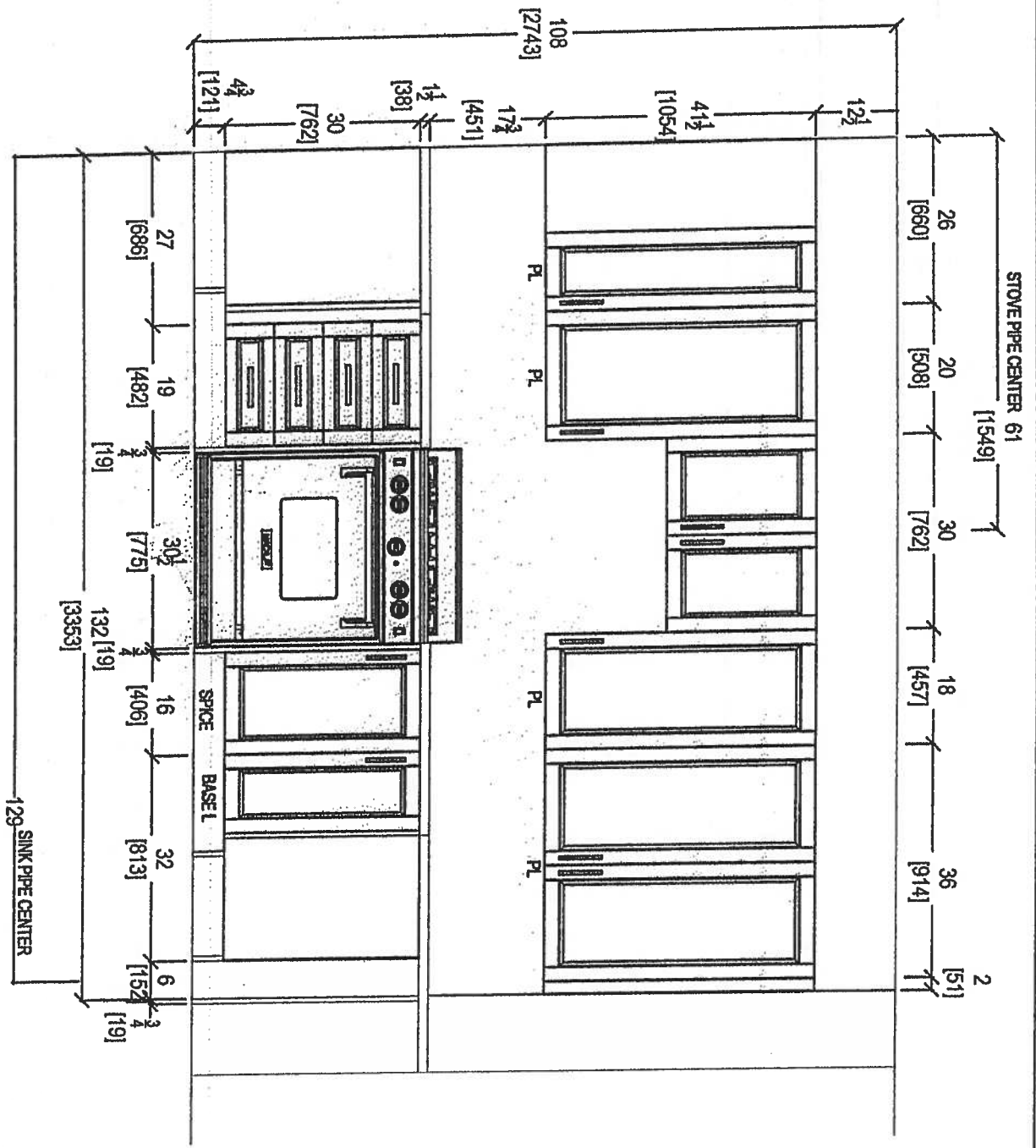
COMMENTS:
PLEASE NOTE ALL DIMENSIONS
ARE NOT FINAL AND ARE
SUBJECT TO CHANGE UPON
FINAL SITE MEASURE



CLIENT: ROYAL PINE HOMES	NOVAC BAY (2G) UPGRADE PACKAGE	ROOM: KITCHEN FLOOR PLAN	DRAWN BY: SK	COMMENTS:
SITE: HAMPTON PLACE	DOOR STYLE: --	DOOR HANDLE: --	SCALE: 1/2" = 1'-0"	PLEASE NOTE ALL DIMENSIONS ARE NOT FINAL AND ARE SUBJECT TO CHANGE UPON FINAL SITE MEASURE
PHONE: --	FINISH: --	DRW HANDLE: --	DATE: MARCH 8, 2018	
EMAIL: --	SPECIES: --	TOP: --	PAGE: --	



your kitchen, your taste.
 80 SANTE DRIVE, VAUGHAN, ON L4K 3C4,
 T: 416.748.1811 F: 905.781.2901



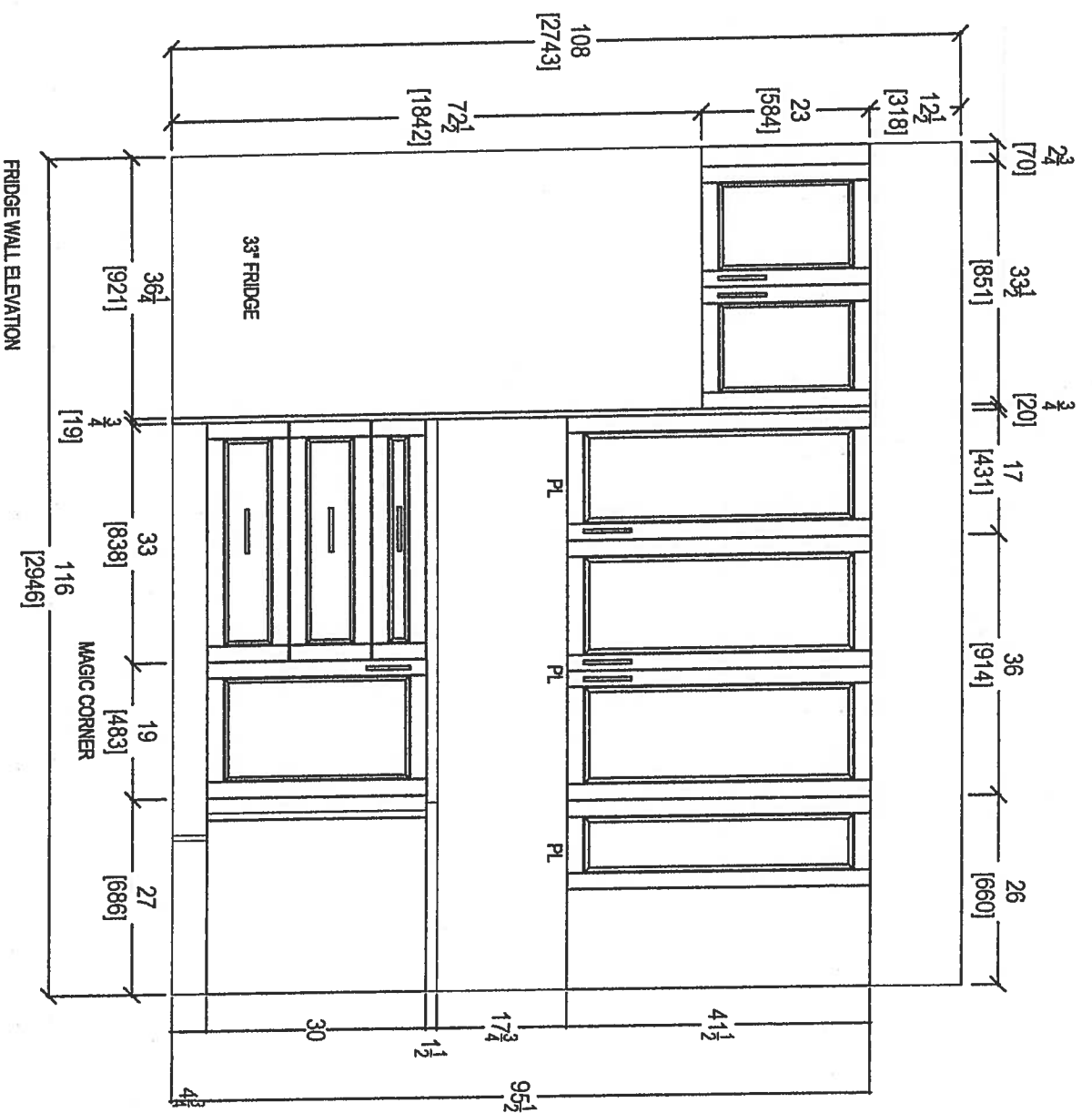
STONE WALL ELEVATION

CLIENT: ROYAL PINE HOMES	NOVAC BAY (2G) UPGRADE PACKAGE	ROOM: KITCHEN	DRAWN BY: SK
SITE: HAMPTON PLACE	DOOR STYLE: --	DOOR HANDLE: --	SCALE: 1/2" = 1'-0"
PHONE: --	FINISH: --	DRW HANDLE: --	DATE: MARCH 8, 2018
EMAIL: --	SPECIES: --	TOP: --	PAGE: --



your kitchen, your taste
 80 SANTE DRIVE, VAUGHAN, ON L4K 3C4,
 T: 416.748.1811 F: 416.781.5901

COMMENTS:
 PLEASE NOTE ALL DIMENSIONS
 ARE NOT FINAL AND ARE
 SUBJECT TO CHANGE UPON
 FINAL SITE MEASURE

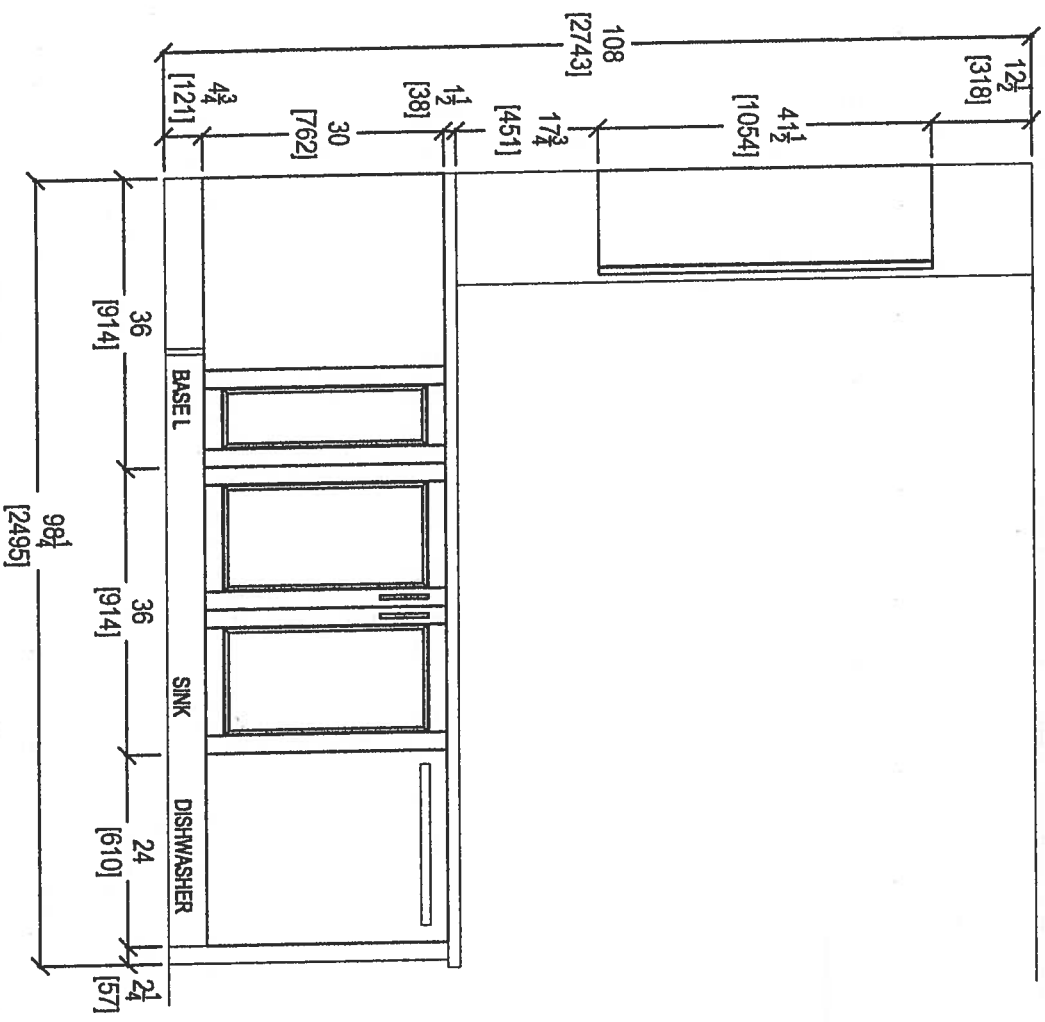


your kitchen
with taste

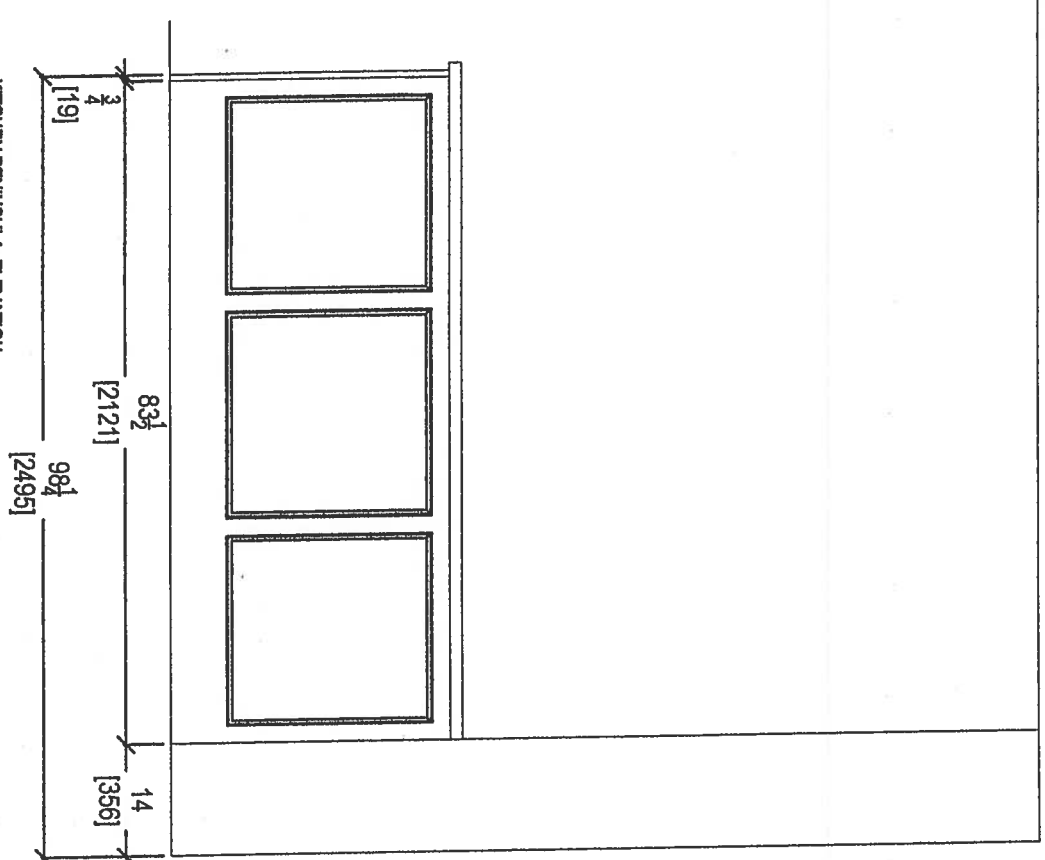
80 SANTE DRIVE,
T. 416.746. []
1, ON LAK 304,
5.761.5901

CLIENT: ROYAL PINE HOMES	NOVAC BAY (2G) UPGRADE PACKAGE	ROOM: KITCHEN	DRAWN BY: SK
SITE: HAMPTON PLACE	DOOR STYLE: —	DOOR HANDLE: —	SCALE: 1/2" = 1'-0"
PHONE: —	FINISH: —	DRW HANDLE: —	DATE: MARCH 8, 2018
EMAIL: —	SPECIES: —	TOP: —	PAGE: —

COMMENTS:
PLEASE NOTE ALL DIMENSIONS
ARE NOT FINAL AND ARE
SUBJECT TO CHANGE UPON
FINAL SITE MEASURE



KITCHEN PENINSULA ELEVATION
FRONT VIEW

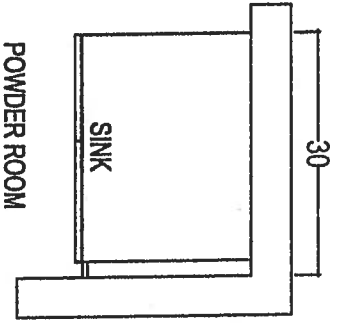


KITCHEN PENINSULA ELEVATION
REAR VIEW

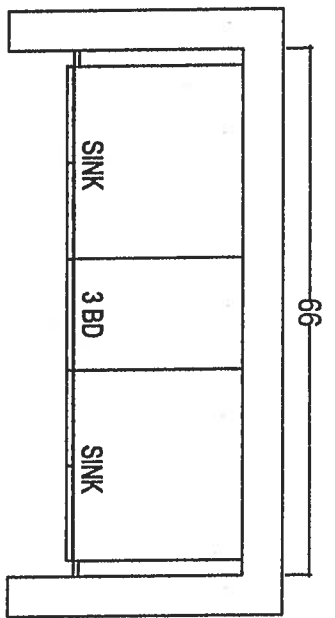
CLIENT: ROYAL PINE HOMES	NOVAC BAY (29) UPGRADE PACKAGE	ROOM: KITCHEN	DRAWN BY: SK	COMMENTS:
SITE: HAMPTON PLACE	DOOR STYLE: —	DOOR HANDLE: —	SCALE: 1/2" = 1'-0"	PLEASE NOTE ALL DIMENSIONS ARE NOT FINAL AND ARE SUBJECT TO CHANGE UPON FINAL SITE MEASURE
PHONE: —	FINISH: —	DRW/HANDLE: —	DATE: MARCH 8, 2018	
EMAIL: —	SPECIES: —	TOP: —	PAGE: —	



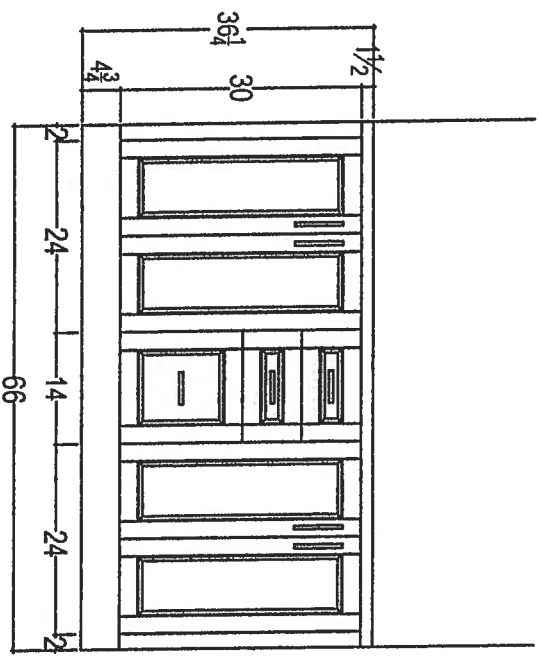
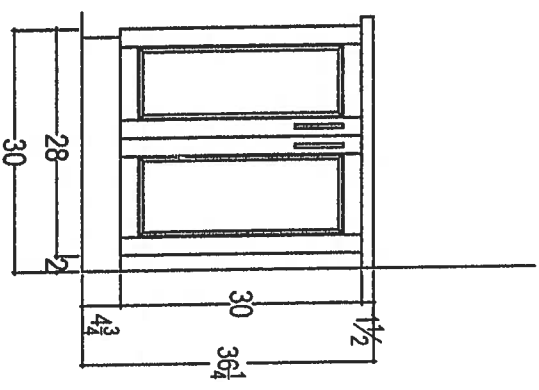
80 SANTE DRIVE,
T. 418.746,
N. ON LAK 304,
J5.781.5901



POWDER ROOM



MASTER ENSUITE



CKS
Your Kitchen, Your Style

80 SANTE DRIVE, VAUGHAN, ONTARIO L4K 3C4,
T: 416.746.1811

CLIENT: ROYAL PINE HOMES	NOYAG BAY (2G) UPGRADE PACKAGE	ROOM: VANITIES	DRAWN BY: SK
SITE: HAMPTON PLACE	DOOR STYLE: —	DOOR HANDLE: —	SCALE: 1/2" = 1'-0"
PHONE: —	FINISH: —	DRW HANDLE: —	DATE: MARCH 8, 2018
EMAIL: —	SPECIES: —	TOP: —	PAGE: —

COMMENTS:
PLEASE NOTE ALL DIMENSIONS ARE NOT FINAL AND ARE SUBJECT TO CHANGE UPON FINAL SITE MEASURE