



## 24" Built-In Dishwasher

Dishwasher

Available Products: FFCD2413UB, FFCD2413US, FFCD2413UW

Available Colors: Black, Stainless Steel, White

Version: 06/22

## Product Specifications

### Dishwasher

Detergent Dispenser	Yes
Filter Material	Stainless Steel
Filter Trap	Removable
Filtered Water	100 %
Hard Food Disposer or Filtration	Yes
Place Setting Capacity	14
Rinse Aid Dispenser	Yes
Tub Design	Tall Tub
Tub Material	Plastic
Wash Levels	5
Wash System	Direct Feed
Water Pressure	120 psi
Water Usage	6 Gallons

### Dishwasher Options

Drying System	Static Vent
Heated Dry	Yes
High Temperature	Yes
Start/Cancel	Yes

### Upper Rack

Minimum Height Clearance	8"
--------------------------	----

### Exterior

Door Latch	Squeeze
------------	---------

### Electrical Specifications

Voltage Rating	120 V
----------------	-------

### General Specifications

Annual Energy	270 kWh
Prop 65 Label	Yes
Sound Level	55 dBA
Warranty - Labor	1 Year
Warranty - Parts	1 Year

### Safety Certifications and Approvals

UL Listed	Yes
Meets ASSE 1006 Requirements	Yes
NSF Certified	No

### Dishwasher Cycles

Heavy	Yes
Light	Yes
Normal	Yes
Number of Cycles	3
Upper Rack	Yes

### Lower Rack

Minimum Height Clearance	11"
Maximum Height Clearance	13"
Number of Silverware Basket	1
Rack Coating	PVC
Rack Type	Basic

### Controls

Delay Start Hours	4
Control Lock	Yes

### Dimensions and Volume

Width	24"
Depth	25"
Depth With Door Open	49 1/4"
Minimum Height	33 1/2"
Maximum Height	35"

### Installation

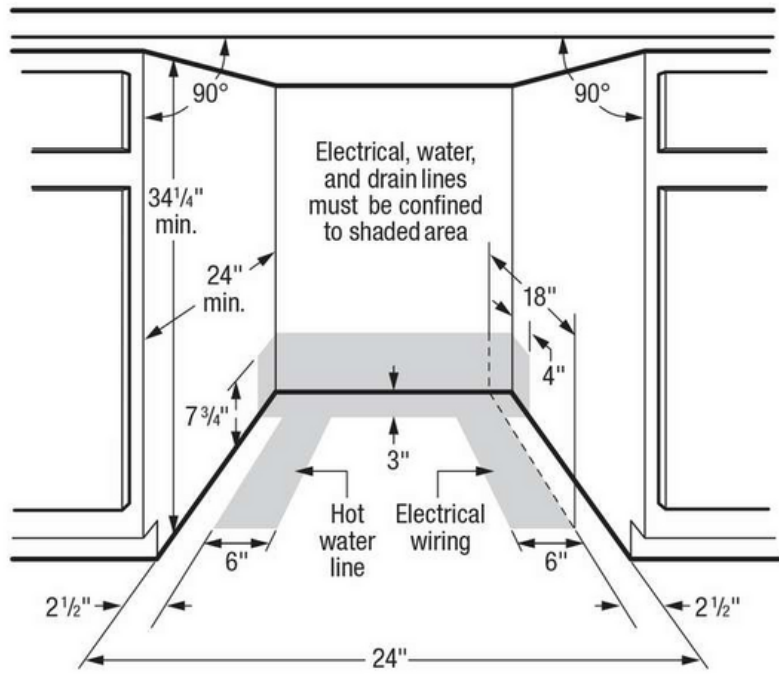
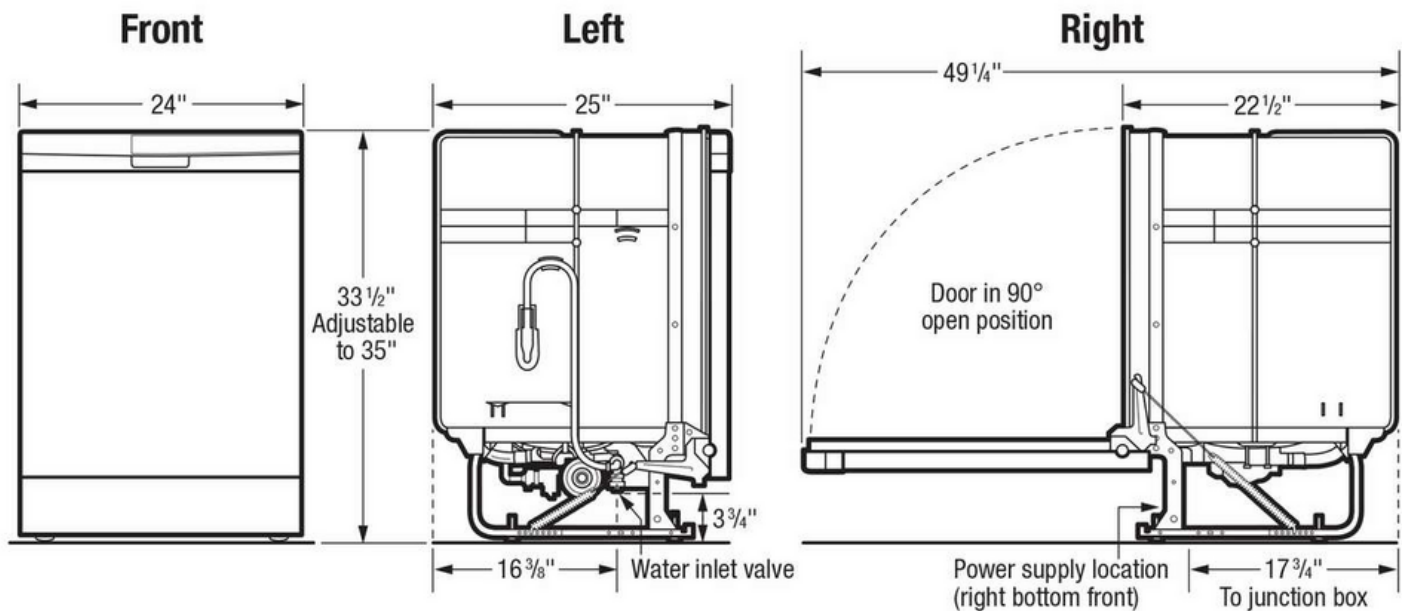
Number of Leveling Legs	4
-------------------------	---

### Performance Certifications and Approvals

CEE Tier	Tier 1
ENERGY STAR Certified	Yes

# Installation Diagram

LOT 5-91, PH5, APPLIANCES



Classic style and superior performance make this chimney range hood the perfect addition to any kitchen. Quiet operation and bright LED lighting enhances your cooking experience, while the sleek 4-speed capacitive touch control makes operation and clean-up easy. An optional remote allows for convenient control from anywhere in the kitchen.

SIZE	STAINLESS	GREASE FILTERS (replacement)	NON-DUCTED CHARCOAL FILTERS
<del>28-17/32 in.</del>	EWP1306SS	S97010487 (set of 2)	S99010494 (set of 2)
35-7/16 in.	EWP1366SS	S97010488 (set of 2)	S99010494 (set of 2)

HVI PERFORMANCE											
Duct Orientation	Size	Damper	Sones				CFM				
			Normal	Med-Low*	Med-high*	High	Normal	Med-Low*	Med-High*	High 0.25 in. w.g.	High 0.1 in. w.g.
Round - Vertical	6 in.	Included	< 0.3	6.5	9.5	12.5	110	390	510	580	600 ‡

‡ CFM reduction to 400 or 300 is available. Review Installation instructions for more details.

FEATURES	
Max blower CFM**	640
Finish	430 Stainless Steel no. 4 Brushed
Wall Mount	Yes
Telescopic Flue	Yes - Accommodates 8-ft. to 9-ft. ceilings
Convertible to non-ducted operation	Yes - Non-Duct Kit ARKBWP sold separately
Blower type	Single, Centrifugal
Cord-connected	Yes
Soft-Touch Control	<ul style="list-style-type: none"> <li>• Blower low speed</li> <li>• Blower medium-low speed</li> <li>• Blower medium-high speed</li> <li>• Blower high speed</li> <li>• 2-Intensity lighting</li> <li>• 15-Minute delay</li> </ul>
Lighting	2 x LED Modules 5.5 W, (included)
Grease Filters	Hybrid baffle filters, dishwasher-safe with quick-release latch

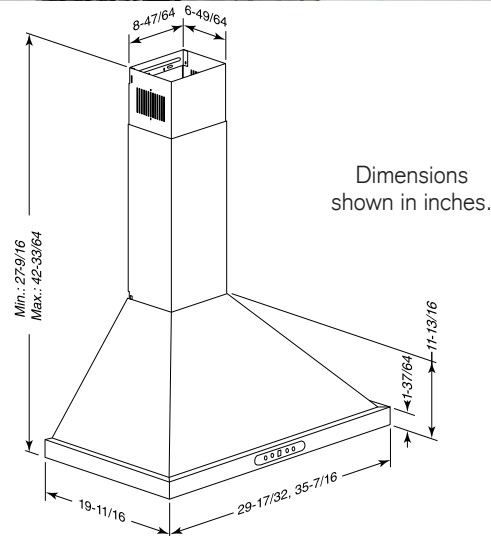
AC INPUT	
120 V, 60 Hz - 3.7 AMPS	

OPTIONAL ACCESSORIES (sold separately)	
Flue Extension for 10-ft. ceiling	FXN58SS
Non-Duct Kit	ARKBWP
Remote Control	HCR4

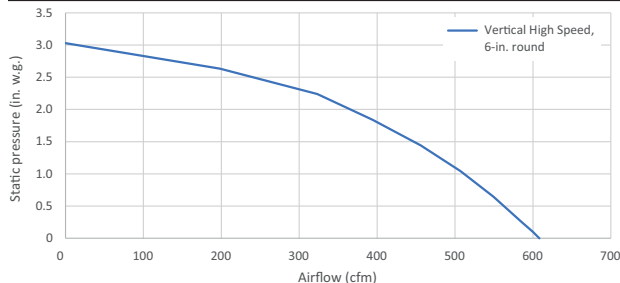
MOUNTING HEIGHT	
26-in. from cooktop to bottom of hood	

LIMITED WARRANTY	
1-year (See installation manual for full warranty text.)	

**FOR INDOOR USE ONLY**



Dimensions shown in inches.



HVI-2100 CERTIFIED RATINGS comply with new testing technologies and procedures prescribed by the Home Ventilating Institute, for off-the-shelf products, as they are available to consumers. Product performance is rated at 0.1 and 0.25 in. static pressure at high speed based on tests conducted in an HVI-approved state-of-the-art test laboratory. Sones are a measure of humanly-perceived loudness, based on laboratory measurements.

\* Where noted performance rating is not HVI certified but was established in accordance with HVI Standardized test procedure.

\*\* Max. blower CFM indicates the performance of the hood blower in open air.



# MICROWAVE/WALL OVEN COMBINATION INSTALLATION

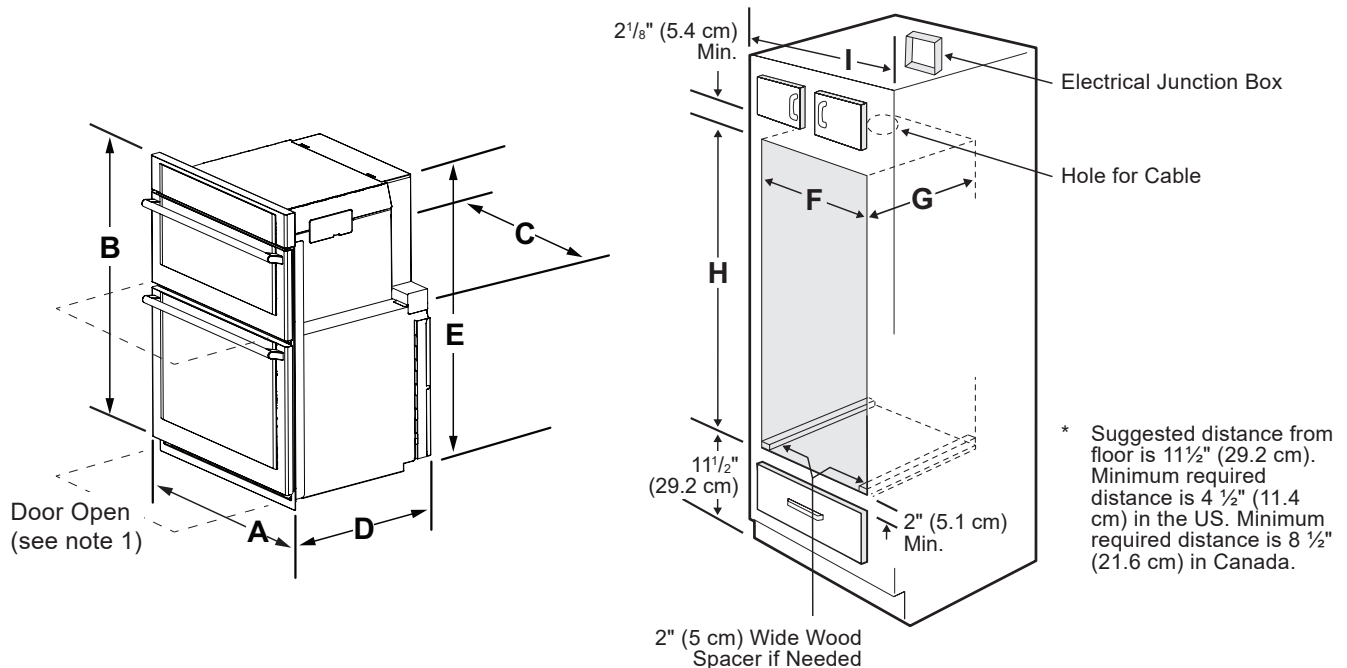
INSTALLATION AND SERVICE MUST BE PERFORMED BY A QUALIFIED INSTALLER.  
 IMPORTANT: SAVE FOR LOCAL ELECTRICAL INSPECTOR'S USE.  
 READ AND SAVE THESE INSTRUCTIONS FOR FUTURE REFERENCE.

United States  
and Canada



**⚠ WARNING** FOR YOUR SAFETY: Do not store or use gasoline or other flammable vapors and liquids in the vicinity of this or any other appliance.

Your new wall oven has been designed to fit a variety of cutout sizes to make the job of installing easier. The first step of your installation should be to measure your current cutout dimensions and compare them to the cutout dimensions chart below for your model. You may find little or no cabinet work being necessary.



**NOTES:**

1. Allow at least 22" (55.9cm) clearance in front of oven for door depth when it is open.
2. Dimension G (cutout depth) is critical to the proper installation of the built-in oven. If the oven decorative trim does not butt against the cabinet verify dimension G to assure it is the required depth.
3. For a cutout height greater than the maximum (H), add one 2" (5 cm) wide wood shim of appropriate height to each side of the opening under the appliance side rails. A trim kit may be purchased through a dealer, service, or on the brand website.

**Figure 1: Product and Cutout Dimensions**

PRODUCT DIMENSIONS					
A	B	C	D		E
29 <sup>7</sup> / <sub>8</sub> " (76.2 cm)	41 <sup>9</sup> / <sub>16</sub> " (105.6 cm)	28 <sup>7</sup> / <sub>16</sub> " (72.2 cm)	25 <sup>3</sup> / <sub>16</sub> " (63.9 cm)		40 <sup>9</sup> / <sub>16</sub> " (102.9 cm)
CUTOUT DIMENSIONS AND CABINET WIDTH					
F		G. Min.	H		I
Min.	Max.		Min.	Max.	
28 <sup>1</sup> / <sub>2</sub> " (72.4 cm)	29" (73.7 cm)	23 <sup>1</sup> / <sub>2</sub> " (59.7 cm)	40 <sup>5</sup> / <sub>8</sub> " (103.1 cm)	41 <sup>1</sup> / <sub>2</sub> " (105.4 cm)	30 <sup>1</sup> / <sub>8</sub> " (76.5 cm) Min

# MICROWAVE/WALL OVEN COMBINATION INSTALLATION

## CARPENTRY and SUPPORT

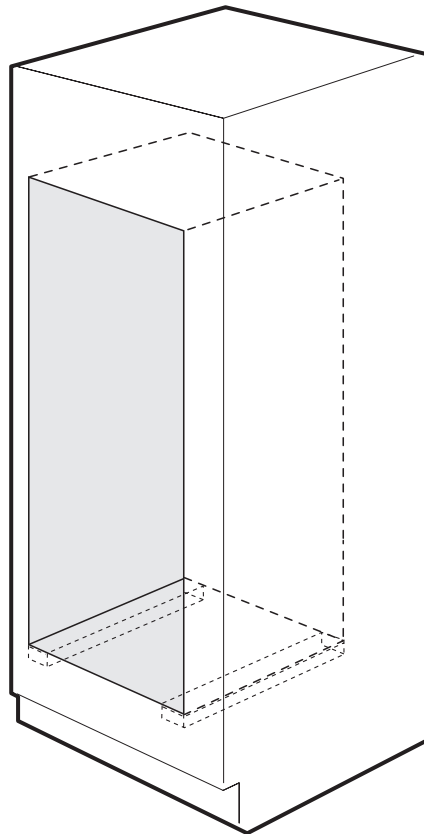
Refer to Figure 1 for the dimensions of your appliance and the cabinet cutouts and space needed to fit the oven.

The oven support or base surface must be solid plywood, solid wood, or a material verified to meet the temperature and strength requirements needed for your installation. No fiberboard, laminated/coated wood or other material should be used that is not verified to meet temperature and strength requirements.

All materials used in installation must withstand temperatures of 194 °F (90 °C).

The support surface must be level and flat from side to side, and from front to rear.

If the cabinet does not have a solid floor or support surface, braces may be installed in the cabinet. Bracing may also be used under the cabinet floor for added strength and support. Braces must run front to rear, meet all material and temperature requirements, and be flat and level. The bracing should be 2" (5 cm) minimum width to support the oven side rails. Standard 2" x 4" (5 cm x 10 cm) studs are recommended.



**Figure 2: Wall Oven Braces**

### **Microwave Combination**

1. Base must be capable of supporting 375 pounds (170 kg).
2. Solid plywood or solid wood must be at least ¾" (1.9 cm) thick.

# MICROWAVE/WALL OVEN COMBINATION INSTALLATION

## Important Notes to the Installer

1. Read all instructions contained in these installation instructions before installing the wall oven.
2. Remove all packing material from the oven compartments before connecting the electrical supply to the wall oven.
3. Observe all governing codes and ordinances.
4. Be sure to leave these instructions with the consumer.
5. Remove oven door to facilitate installation. See Use and Care Guide for instructions.
6. THESE OVENS ARE NOT APPROVED FOR STACKABLE OR SIDE-BY-SIDE INSTALLATION.

## Important Note to the Consumer

Keep these instructions with your Owner's Guide for the local electrical inspector's use and future reference.

# IMPORTANT SAFETY INSTRUCTIONS

- Be sure your combination oven is installed and grounded properly by a qualified installer or service technician.
- This combination oven must be electrically grounded in accordance with local codes or, in their absence, with the National Electrical Code ANSI/NFPA No.70-latest edition in United States, or with CSA Standard C22.1, Canadian Electrical Code, Part 1, in Canada.

**⚠ WARNING** Stepping, leaning or sitting on the door of this wall oven can result in serious injuries and can also cause damage to the wall oven.

- Never use your wall oven for warming or heating the room. Prolonged use of the wall oven without adequate ventilation can be dangerous.

**⚠ WARNING** The electrical power to the oven must be shut off while line connections are being made. Failure to do so could result in serious injury or death.

## 1. Electrical Requirements

Each appliance must be supplied with the proper voltage and frequency, and connected to an individual, properly grounded branch circuit, protected by a circuit breaker or fuse. To know the circuit breaker or fuse required by your model, see the serial plate to find the wattage consumption and refer to table A to get the circuit breaker or fuse amperage.

Observe all governing codes and local ordinances.

1. A 3-wire or 4-wire single phase 120/240 or 120/208 Volt, 60 Hz AC only electrical supply is required on a separate circuit fused on both sides of the line (red and black wires). A time-delay fuse or circuit breaker is recommended. DO NOT fuse neutral (white wire). Only certain cooktop models may be installed over certain built-in electric oven models. Approved cooktops and built-in ovens are listed by the MFG ID number (see the insert sheet included in the literature package). Do not install a cooktop over a side-by-side wall oven installation.

Appliance Rating Watts 240V	Protection Circuit Recommended	Appliance Rating Watts 208V	Protection Circuit Recommended
Less than 4800W	20A	Less than 4100W	20A
4801W - 7200W	30A	4101W - 6200W	30A
7201W - 9600W	40A or 50A	6201W - 8300W	40A or 50A
9601W and +	50A	8301W and +	50A

**Table A**

NOTE: Wire sizes and connections must conform with the fuse size and rating of the appliance in accordance with the American National Electrical Code ANSI/NFPA No. 70-latest edition, or with Canadian CSA Standard C22.1, Canadian Electrical Code, Part 1, and local codes and ordinances.

**⚠ WARNING** An extension cord should not be used with this appliance. Such use may result in a fire, electrical shock, or other personal injury. If you need a longer power cord you can purchase a 10' (3 m) power cord kit #903056-9010 by calling the Service Center.

2. These appliances should be connected to the fused disconnect (or circuit breaker) box through flexible armored or nonmetallic sheathed cable. The flexible armored cable extending from the appliance should be connected directly to the junction box. The junction box should be located as shown in Figure 1 and with as much slack as possible remaining in the cable between the box and the appliance, so it can be moved if servicing is ever necessary.
3. A suitable strain relief must be provided to attach the flexible armored cable to the junction box.

# MICROWAVE/WALL OVEN COMBINATION INSTALLATION

## **! WARNING**

### Electrical Shock Hazard

- Electrical ground is required on this appliance.
- Do not connect to the electrical supply until appliance is permanently grounded.
- Disconnect power to the junction box before making the electrical connection.
- This appliance must be connected to a grounded, metallic, permanent wiring system, or a grounding connector should be connected to the grounding terminal or wire lead on the appliance.
- Do not use a gas supply line for grounding the appliance.

Failure to do any of the above could result in a fire, personal injury or electrical shock.

**! CAUTION** In cold weather shipping and storage conditions, make sure that oven is in final location at least three (3) hours before switching on power. Switching on power while oven is still cold may damage the oven controls.

## 2. Electrical connection

It is the responsibility and obligation of the consumer to contact a qualified installer to assure that the electrical installation is adequate and is in conformance with the National Electrical Code ANSI/NFPA No. 70-latest edition, or with CSA Standard C22.1, Canadian Electrical Code, Part 1, and local codes and ordinances.

**! WARNING** Risk of electrical shock (Failure to heed this warning may result in electrocution or other serious injury.) This appliance is equipped with copper lead wire. If connection is made to aluminum house wiring, use only connectors that are approved for joining copper and aluminum wire in accordance with the National Electrical Code and local code and ordinances. When installing connectors having screws which bear directly on the steel and/or aluminum flexible conduit, do not tighten screws sufficiently to damage the flexible conduit. Do not over bend or excessively distort flexible conduit to avoid separation of convolutions en exposure of internal wires.

DO NOT ground to a gas supply pipe. DO NOT connect to electrical power supply until appliance is permanently grounded. Connect the ground wire before turning on the power.

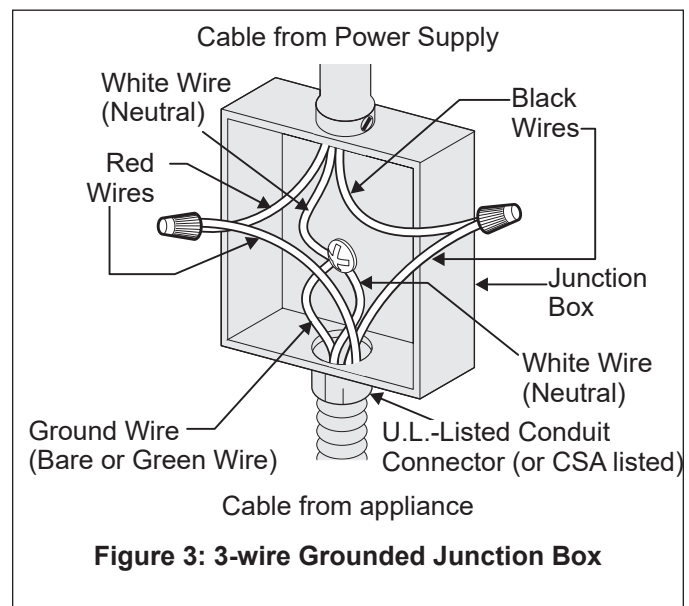
**! WARNING** (If your appliance is equipped with a white neutral conductor.)

This appliance is manufactured with a white neutral power supply and a frame connected copper wire. The frame is grounded by connection of grounding lead to neutral lead at the termination of the conduit, if used in USA, in a new branch circuit installation (1996 NEC), mobile home, recreational vehicles, where local code do not permit grounding through the neutral (white) wire or in Canada, disconnect the white and green lead from each other and use ground lead to ground unit in accordance with local codes, connect neutral lead to branch circuit-neutral conductor in usual manner see Figure 5. If your appliance is to be connected to a 3 wire grounded junction box (US only), where local code permit connecting the appliance-grounding conductor to the neutral (white) see Figure 4.

**NOTE TO ELECTRICIAN:** The armored cable leads supplied with the appliance are UL-recognized for connection to larger gauge household wiring. The insulation of the leads is rated at temperatures much higher than temperature rating of household wiring. The current carrying capacity of the conductor is governed by the temperature rating of the insulation around the wire, rather than the wire gauge alone.

Where local codes permit connecting the appliance-grounding conductor to the neutral (white) wire (US Only) (see Figure 3):

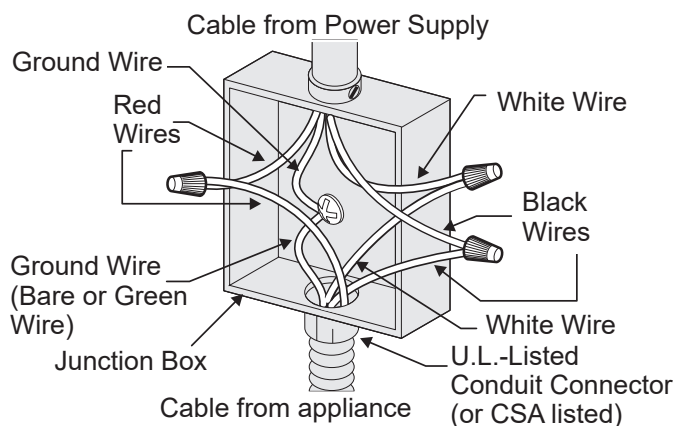
1. Disconnect the power supply.
2. In the junction box:
  - connect appliance and power supply cable wires as shown in Figure 4.



# MICROWAVE/WALL OVEN COMBINATION INSTALLATION

If oven is used in a new branch circuit installation (1996 NEC), mobile home, recreational vehicle, or where local codes DO NOT permit grounding through the neutral (white) wire, the appliance frame MUST NOT be connected to the neutral wire of the 4-wire electrical system (see Figure 4):

1. Disconnect the power supply.
2. Separate the green (or bare copper) and white appliance cable wires.
3. In the junction box: connect appliance and power supply cable wires as shown in Figure 4.

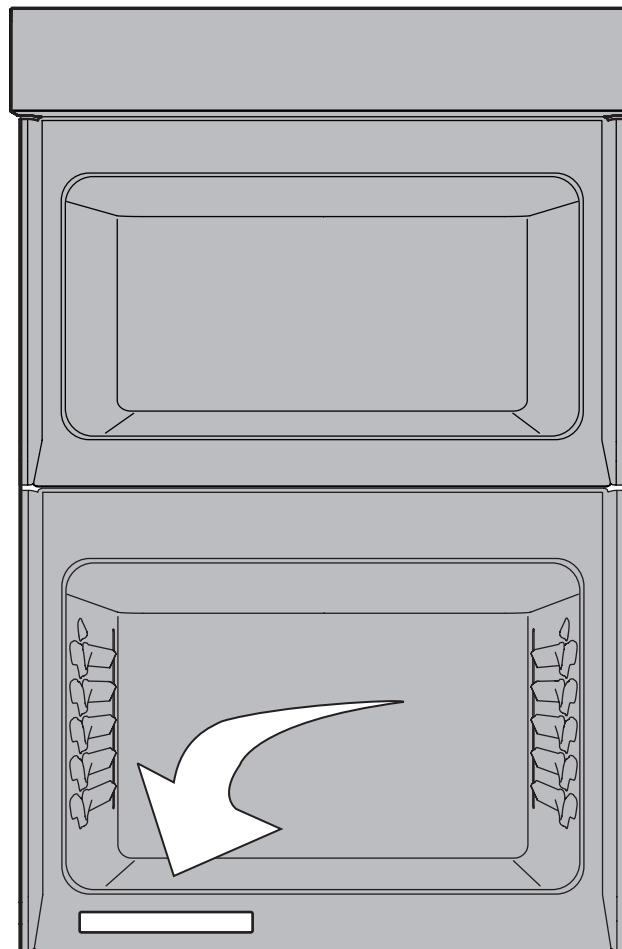


**Figure 4: 4-wire grounded junction box**

## Model and Serial Number Location

The serial plate is located along the interior side trim of the oven and visible when the door is opened.

When ordering parts for or making inquiries about your oven, always be sure to include the model and serial numbers and a lot number or letter from the serial plate on your oven.



**Figure 5: Serial Plate Location**



# MICROWAVE/WALL OVEN COMBINATION INSTALLATION

## 3. Cabinet Installation

### **IMPORTANT!**

Do not lift or manipulate the oven by the door handle or the control panel.

### **! WARNING**

#### Heavy Weight Hazard

- Use 2 or more people to move and install wall oven.
- Failure to follow this instruction can result in injury or damage to the unit.

1. Unpack the wall oven.
2. Find the anti-tip screws and spacers included in the literature package.
3. Insert the oven into the cabinet opening. Slide oven inward leaving 1½" (3.8 cm) clearance between the oven and front of cabinet (see Figure 6).
4. Pull the armored cable through the hole for it in the cabinet and toward the junction box while moving the appliance inward.
5. Push the oven in and against the cabinet.

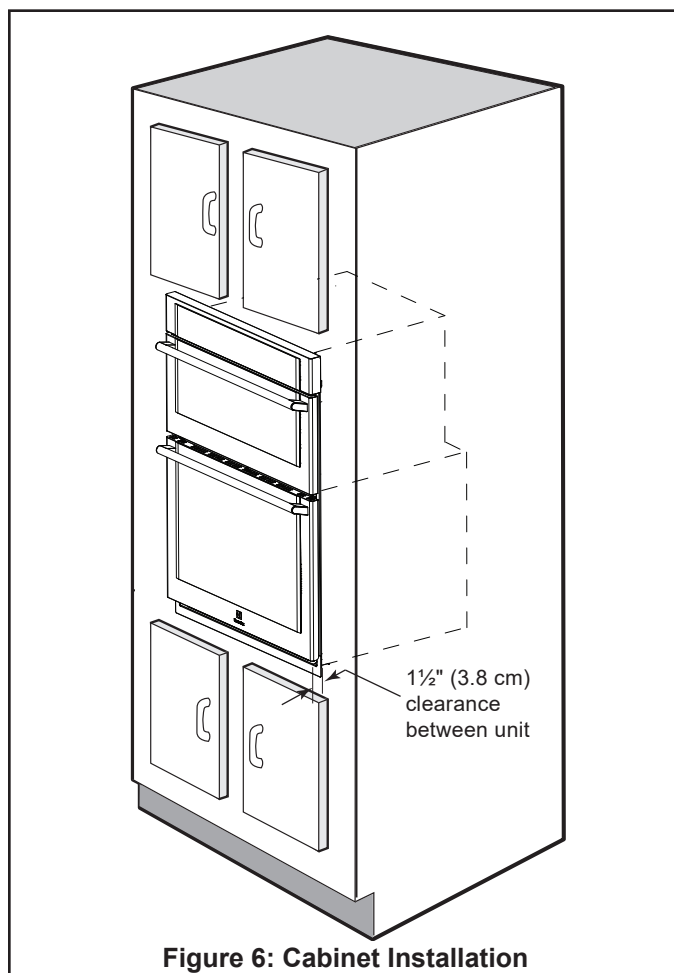


Figure 6: Cabinet Installation

1. Install the Anti-tip Mounting Screws

**! WARNING** The wall oven can tip when the door is open. The anti-tip mounting screws supplied with the wall oven must be installed to prevent tipping of the wall oven and injury to persons.

A. The mounting holes in the side trims may be used as a template to locate the appliance mounting screw holes (see Figure 7).

B. Use the screws supplied to fix the appliance to the cabinet.

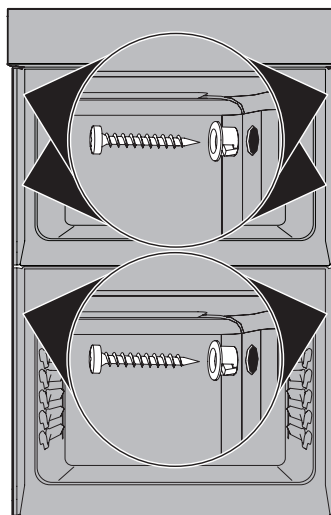


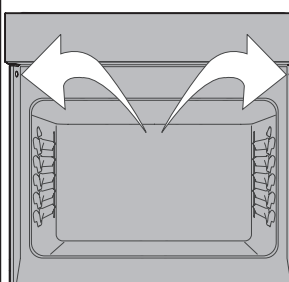
Figure 7: Anti-tip screw locations

### **! WARNING** Tip Over Hazard



- A child or adult can tip the oven and be killed.
- Install the anti-tip device to oven and/or structure per installation instructions.

- Ensure the anti-tip device is re-engaged when the oven is moved.
- Do not operate the oven without the anti-tip device in place and engaged.
- Failure to follow these instructions can result in death or serious burns to children and adults.



Anti-tip mounting holes

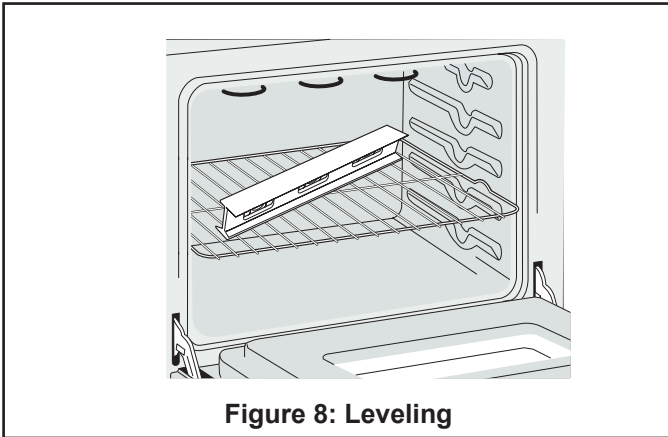
Refer to the installation instructions supplied with your appliance for proper installation.

Check for proper installation with a visual check that the anti-tip screws are present. Test the installation with light downward pressure on the open oven door. The oven should not tip forward.

## MICROWAVE/WALL OVEN COMBINATION INSTALLATION

### 4. Leveling the Wall Oven

1. Install an oven rack in the center of the upper oven (see Figure 10).
2. Place a level on the rack. Take 2 readings with the level placed diagonally in one direction and then the other. Use wood shims under the wall oven to level if necessary.
3. Repeat in the lower oven if you have a double cavity wall oven. If the level indicates that the rack is not level, use wood shims to reach a compromise for both ovens.



**Figure 8: Leveling**

### IMPORTANT NOTE

A cooling fan inside the upper rear part above the oven (some models) provides cooling of the oven electrical and electronic components. If the oven has been operating at high temperatures, the fan will continue to run after the oven is turned off.

### 5. Checking Operation

Your model is equipped with an Electronic Oven Control. Each of the functions has been factory checked before shipping. However, it is suggested that you verify the operation of the electronic oven controls once more. Refer to the Use and Care Guide for operation.

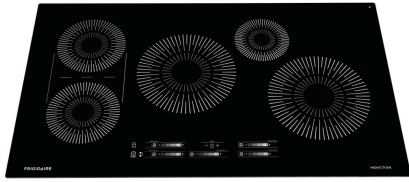
1. Remove all items from the inside of the oven.
2. Turn on the power to the oven (Refer to your Use & Care Guide.)
3. Verify the operation of the electronic oven controls:
  - Bake - Verify that this function makes the oven hot. 20 seconds after turning oven on, open the door and you should feel heat coming from the oven.
  - Broil - When the oven is set to BROIL, the upper element in the oven should become red.

### Before You Call for Service

Read the Before You Call for Service Checklist and operating instructions in your Use and Care Guide. It may save you time and expense. The list includes common occurrences that are not the result of defective workmanship or materials in this appliance.

Refer to your Use and Care Guide for service phone numbers.

## LOT 5-91, PH5, APPLIANCES



Induction Cooktop

36" Induction Cooktop

FCCI3627AB

Available Colors : Black

Version : 12/21

### Cooktop

Auto Pan Detect	Yes
Bridge Element	Yes
Cooking Surface Type	Smooth

cUL Listed	Yes
RoHS	Yes

### Cooktop Performance

Right Front Element Burner Size	8"
Right Rear Element Burner Size	6"
Left Front Element Burner Size	7"
Left Rear Element Burner Size	7"
Center Element Burner Size	8"
Right Front Element Burner	2,300 / 3,600 Watts (Boost)
Left Front Element Burner	1,800 / 2,600 Watts (Boost)
Left Rear Element Burner	1,800 / 2,600 Watts (Boost)
Center Element Burner	2,300 / 3,600 Watts (Boost)

### Display

Control Location	Front
Display Interface Color	Red

### Dimensions and Volume

Height	2 7/8"
Width	36 3/4"
Depth	21 3/8"
Cutout Height	3 5/8"
Minimum Cutout Width	33 7/8"
Minimum Cutout Depth	19 1/8"
Maximum Cutout Width	36 1/8"
Maximum Cutout Depth	20 1/2"

### General Specifications

Warranty - Labor	1 Year
Warranty - Parts	1 Year

### Safety Certifications and Approvals

UL Listed	Yes
-----------	-----

Note: For planning purposes only. Always consult local and national electric, gas and plumbing codes.

Refer to Product Installation Guide for detailed installation instructions on the web at [frigidaire.com](http://frigidaire.com) / [frigidaire.ca](http://frigidaire.ca)

Specifications subject to change. Accessories information available on the web at [frigidaire.com](http://frigidaire.com) / [frigidaire.ca](http://frigidaire.ca)

# Frigidaire

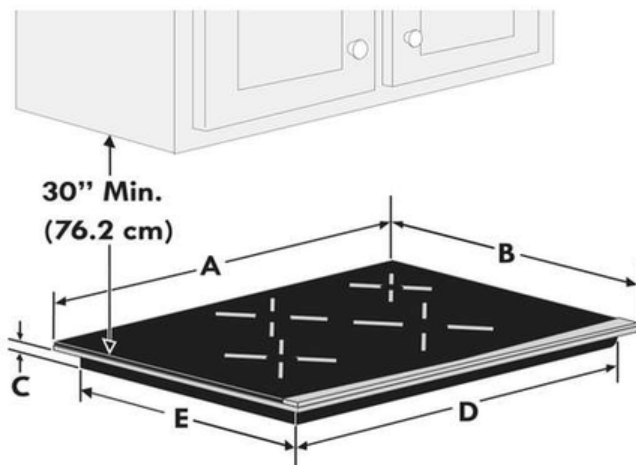
36" Induction Cooktop

FCCI3627AB

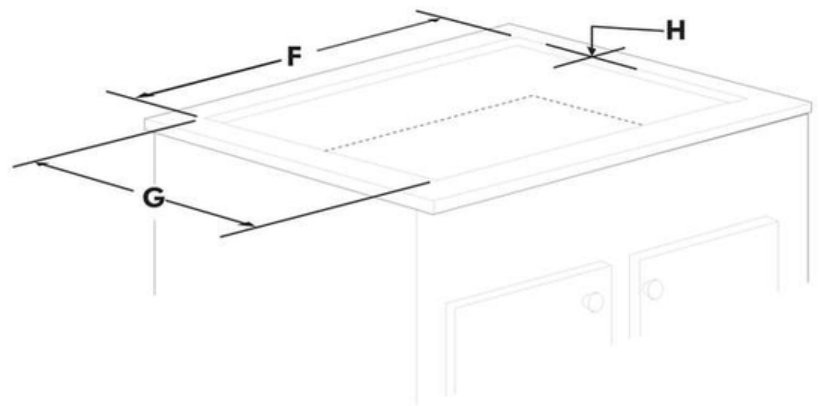
Version : 12/21

## LOT 5-91, PH5, APPLIANCES

Cooktop Dimensions



Cooktop Cutout Dimensions



COOKTOP DIMENSIONS					CUTOUT DIMENSIONS				
A. WIDTH	B. DEPTH	C. HEIGHT	D. WIDTH	E. DEPTH	F. WIDTH		G. DEPTH		H. HEIGHT
					Min.	Max.	Min.	Max.	
36 <sup>3</sup> / <sub>4</sub> (93.4)	21 <sup>3</sup> / <sub>8</sub> (54.4)	2 <sup>7</sup> / <sub>8</sub> (7.3)	33 <sup>5</sup> / <sub>8</sub> (85.4)	18 <sup>7</sup> / <sub>8</sub> (47.9)	33 <sup>7</sup> / <sub>8</sub> (86.0)	36 <sup>1</sup> / <sub>8</sub> (91.8)	19 <sup>1</sup> / <sub>8</sub> (48.6)	20 <sup>1</sup> / <sub>2</sub> (52.1)	3 <sup>5</sup> / <sub>8</sub> (9.2)

Note: For planning purposes only. Always consult local and national electric, gas and plumbing codes.

Refer to Product Installation Guide for detailed installation instructions on the web at [frigidaire.com](http://frigidaire.com) / [frigidaire.ca](http://frigidaire.ca)

Specifications subject to change. Accessories information available on the web at [frigidaire.com](http://frigidaire.com) / [frigidaire.ca](http://frigidaire.ca)

USA • 10200 David Taylor Drive • Charlotte, NC 28262 • 1-800-FRIGIDAIRE • [frigidaire.com](http://frigidaire.com)

CANADA • 5855 Terry Fox Way • Mississauga, ON L5V 3E4 • 1-800-265-8352 • [frigidaire.ca](http://frigidaire.ca)

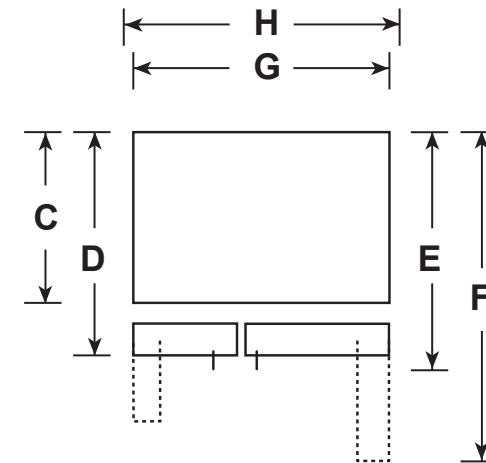
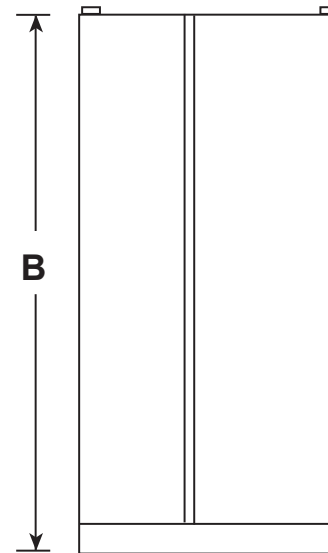
# GZS22IMN/IYN

## LOT 5-91, PH5, APPLIANCES

### GE® 21.8 Cu. Ft. Counter-Depth Side-By-Side Refrigerator

#### DIMENSIONS AND INSTALLATION INFORMATION (IN INCHES)

OVERALL DIMENSIONS	Height to top of hinge (in.) <b>A</b>	69-1/2
	Height to top of case (in.) <b>B</b>	69
	Case depth without door (in.) <b>C</b>	24-1/4
	Case depth less door handle (in.) <b>D</b>	28-3/4
	Case depth with door handle (in.) <b>E</b>	30-3/4
	Depth with fresh food door open 90° (in.) <b>F</b>	46-1/2
	Width (in.) <b>G</b>	36
	Width with door open 90° with door handle (in.) <b>H</b>	42-1/4
AIR CLEARANCES	Each side (in.)	1/8
	Top (in.)	1
	Back (in.)	2



†Water hook-up fits in back air clearance when calculating installation depth.

If installed against a wall, allow clearance of 10-3/4" on freezer side to remove bin.

Clearance required to remove fresh food full-size pan without disassembling is 15".

Allow additional space for any necessary leveling adjustments.



For answers to your GE Profile™ or GE Appliances product questions, visit our website at [geappliances.com](http://geappliances.com) or call GE Answer Center® Service, 800.626.2000.



TOTAL VOLUME AND SHELF AREA ARE CALCULATED BY THE ASSOCIATION OF HOME APPLIANCE MANUFACTURERS' STANDARDS.

## LOT 5-91, PH5, APPLIANCES

# GZS22IMN/IYN

## GE® 21.8 Cu. Ft. Counter-Depth Side-By-Side Refrigerator

### FEATURES AND BENEFITS

Showcase LED lighting – Easily find even the smallest food items thanks to the flush showcase LED lights that illuminate every corner of the refrigerator and freezer

Counter-depth design – Enjoy a built-in look in your kitchen, thanks to a refrigerator that fits flush with your counters and cabinets

Adjustable slide-out shelves – Enjoy a polished look and easy-access cleaning with edge-to-edge glass shelves that extend the full width of the refrigerator

Glass freezer shelves – Securely store a variety of items on glass shelves, including a sweet-spot shelf located above the ice bins - the coldest spot in the freezer

Adjustable Clear Look door bins – Offers ideal space for large containers in the door and frees up valuable shelf space

Color-match dispenser – Create a seamless look with a dispenser that is coordinated with the refrigerator finish

Fresh food multi-level drawers – Provide the ideal environment for storing your fruits and vegetables

Advanced water filtration uses XWFE replacement filter – Reduces trace pharmaceuticals from water and ice\* (\* Removes 98% of ibuprofen, atenolol, fluoxetine, progesterone and trimethoprim. These pharmaceuticals are not necessarily in all users' water)

Model GZS22IMNES – Slate

Model GZS22IYNFS – Fingerprint resistant stainless

