



TASCO APPLIANCES

APPLIANCE SPECIFICATIONS

PROJECT PARTNER:

SHIP TO:

AGYEMANG-PREMPEH, Michael

TBA
INNISFIL, ON

REMINDER:

To ensure a smooth project it is the responsibility of the homeowner / purchaser of appliances to share all the attached specifications with their cabinet provider, contractor, or any other tradesperson so they have the information required to complete their work accurately. Product specifications are for planning purposes only and are subject to change without notice. Refer to installation instructions shipped with the product before cutting cabinets, counters, panels, etc.

Tasco Appliances assumes no liability for product specifications.

AGYEMANG-PREMPEH, Michael

TBA
INNISFIL, ON



<i>Models</i>	<i>Pages</i>
KFGC506JSS KitchenAid Range	4-7
KOCE500ESS KitchenAid Wall Oven	8-9
KDPM604KPS KitchenAid Dishwasher	10-14
KBSD602ESS KitchenAid Refrigeration	15-17
KOWT100ESS KitchenAid Warming Drawer	18-20
JDH236/C2AS VentAHood Ventilation	21
WFW8620HC Whirlpool Washer	22-25
WFP2715HC Whirlpool Pedestal	26

Tasco Appliances

tascoappliance.ca

Steve Sankar

905-456-1700

Invoice **BT00018133**

Version 2.2

Mon, Jan 3, 2022

3:54 PM EST



enterprise.steelcod.com/sp/tasc/GSO9919B

Note about page numbers:

Because the original manufacturer's documents are not altered in any way, the page numbers displayed on the page may not correspond to the page number within this package.

All specifications are intended for initial planning purposes only.

Manufacturers reserve the right to change specifications at any time without notice. Always consult the installation instructions found on the manufacturer's website or included with the appliances before installation.

YWED8620HC

27-30

Whirlpool Dryer

Note about page numbers:

Because the original manufacturer's documents are not altered in any way, the page numbers displayed on the page may not correspond to the page number within this package.

All specifications are intended for initial planning purposes only.

Manufacturers reserve the right to change specifications at any time without notice. Always consult the installation instructions found on the manufacturer's website or included with the appliances before installation.

KFGC506JSS

KitchenAid®

KitchenAid® 36" Smart Commercial-Style Gas Range with 6 Burners

<http://www.kitchenaid.com>



Key Features:

- Even-Heat™ True Convection
- Two 20,000 BTU Ultra Power™ Dual-Flame Burners
- Smart Appliance
- 5,000 BTU Simmer & Melt Burner
- Three-Level Convertible Grates
- Three 15,000 BTU Burners
- Dual-Concentric Oven Knob
- SatinGlide™ Roll-Out Extension Rack
- 5.1 Cu. Ft. Capacity
- EasyConvect™ Conversion System
- KitchenAid® Handle Medallion Kit (sold separately)

Product Dimensions:

Height: 36

Width: 35 7/8

Additional Information:

[Use And Care Guide](#)

[Dimension Guide](#)

[Installation Guide](#)

[Warranty Certificate](#)

Available in:

Avocado Cream



Imperial Black

Ink Blue

Misty Blue

Milkshake

Passion Red

Scorched Orange



Stainless Steel

Yellow Pepper

INVESTED
IN
AMERICA

®Registered trademark/TM Trademark of Whirlpool, U.S.A. © 2016 Whirlpool Corporation. All Rights Reserved. All other trademarks are owned by their respective companies.

Because Whirlpool Corporation policy includes a continuous commitment to improve our products, we reserve the right to change materials and specifications without notice. We also reserve the right to discontinue or transition products without notice.

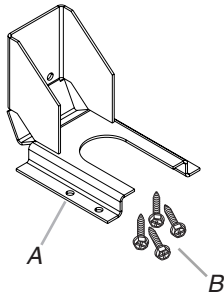
Manufacturer's Suggested Retail Price (MSRP) and Minimum Advertised Price (MAP) provided for reference purposes only. Dealer alone determines advertised and retail prices.

Created On: Friday, May 08, 2020 13:03:52

Parts Supplied

Check that all parts are included.

- Anti-tip bracket kit



A. Anti-tip bracket
B. #8-18 x 1" (2.5 cm) Phillips head screws (4)

NOTE: Anti-tip bracket must be securely mounted to subfloor. Thickness of flooring may require longer screws to anchor bracket to subfloor. Longer screws are available from your local hardware store. See the "Install Anti-Tip Bracket" section.

- Burner grates
- Burner caps
- Griddle drip tray (on griddle models)

Parts Needed

- All models must be installed with a backguard if installing at zero clearance to a combustible back wall surface such as drywall. See "Cabinet Dimensions" in the "Location Requirements" section for installation requirements.

Check local codes and consult gas supplier. Check existing gas supply and electrical supply. See the "Electrical Requirements" and "Gas Supply Requirements" sections.

It is recommended that all electrical connections be made by a licensed, qualified electrical installer.

Location Requirements

IMPORTANT: Observe all governing codes and ordinances. Do not obstruct flow of combustion and ventilation air.

- It is the installer's responsibility to comply with installation clearances specified on the model/serial/rating plate. The model/serial/rating plate is located under the console on the right-hand side.
- It is recommended that a 585 CFM (993.9 m³/hr) or larger range hood be installed above the range.
- Follow the range hood or microwave hood combination installation instructions for dimensional clearances above the cooktop surface.
- Recessed installations must provide complete enclosure of the sides and rear of the range.
- All openings in the wall or floor where range is to be installed must be sealed.
- Do not seal the range to the side cabinets.
- Cabinet opening dimensions that are shown must be used. Given dimensions are minimum clearances.
- The anti-tip bracket must be installed. To install the anti-tip bracket shipped with the range, see the "Install Anti-Tip Bracket" section.
- Grounded electrical supply is required. See the "Electrical Requirements" section.
- Proper gas supply connection must be available. See the "Gas Supply Requirements" section.
- Contact a qualified floor covering installer to check that the floor covering can withstand at least 200°F (93°C). Use an insulated pad or 1/4" (6.4 mm) plywood over carpet and under range if installing range over carpeting.

IMPORTANT: To avoid damage to your cabinets, check with your builder or cabinet supplier to make sure that the materials used will not discolor, delaminate, or sustain other damage. This oven has been designed in accordance with the requirements of UL and CSA International and complies with the maximum allowable wood cabinet temperatures of 194°F (90°C).

Mobile Home - Additional Installation Requirements

The installation of this range must conform to the Manufactured Home Construction and Safety Standard, Title 24 CFR, Part 3280 (formerly the Federal Standard for Mobile Home Construction and Safety, Title 24, HUD Part 280). When such standard is not applicable, use the Standard for Manufactured Home Installations, ANSI A225.1/NFPA 501A or local codes.

In Canada, the installation of this range must conform with the current standards CAN/CSA-A240-latest edition or with local codes.

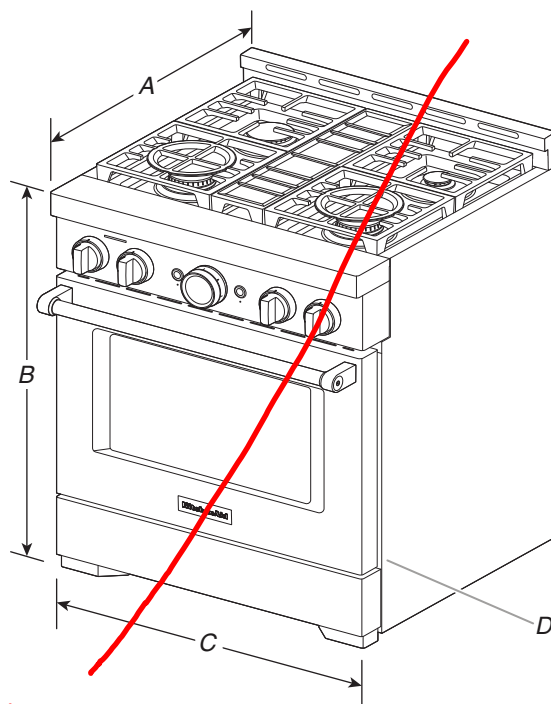
Mobile Home Installations Require:

- When this range is installed in a mobile home, it must be secured to the floor during transit. Any method of securing the range is adequate as long as it conforms to the standards listed above.

Product Dimensions

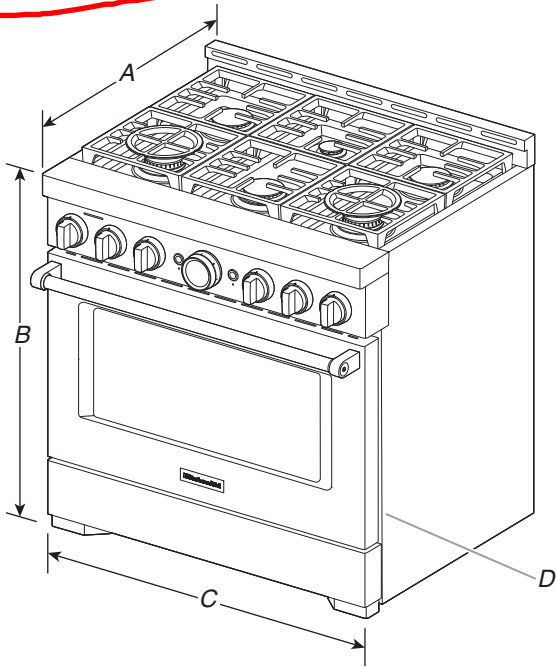
NOTE: Cooktop features may differ.

~~30" (76.2 cm) models~~



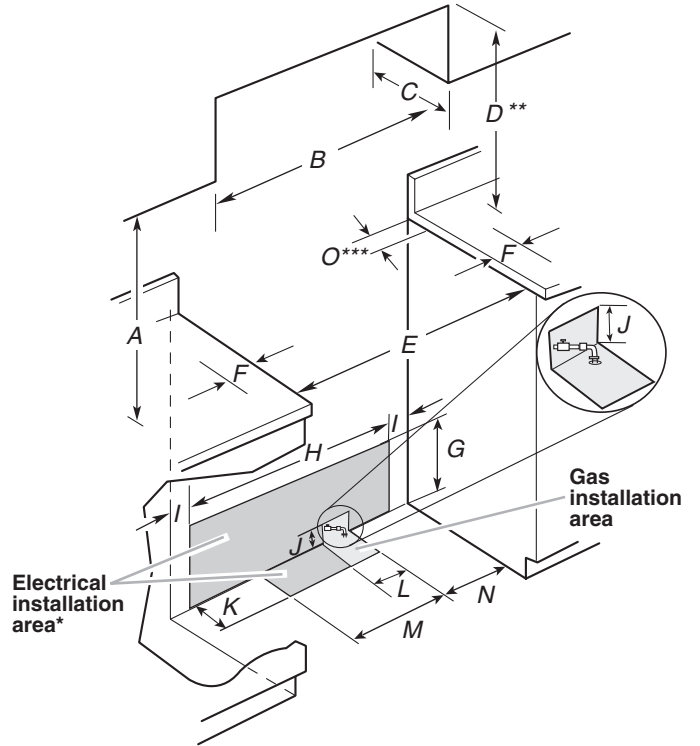
~~A. 27¹/₈" (70.5 cm) depth with control panel (See NOTE.)
B. 36" (91.4 cm) range height when sitting on the wheels
C. 29⁷/₈" (75.7 cm) width
D. Model/serial/rating plate location/SAID label (located on front side panel)~~

36" (91.4 cm) models



- A. 27³/₄" (70.5 cm) depth with control panel (See NOTE.)
- B. 36" (91.4 cm) range height when sitting on the wheels
- C. 35⁷/₈" (91.1 cm) width
- D. Model/serial/rating plate location/SAID label (located on front side panel)

IMPORTANT: If installing a range hood, hood liner, or microwave hood combination above the cooking surface, follow the range hood or microwave hood combination installation instructions for dimensional clearances above the cooking surface.



- A. 18" (45.7 cm) upper cabinet to countertop
- B. 30" (76.2 cm) model: 30" (76.2 cm) min. upper cabinet width
36" (91.4 cm) model: 36" (91.4 cm) min. upper cabinet width
48" (121.9 cm) model: 48" (121.9 cm) min. upper cabinet width
- C. 13" (33 cm) max. upper cabinet depth
- D. For minimum clearance to top of range.**
- E. 30" (76.2 cm) on 30" (76.2 cm) models
36" (91.4 cm) on 36" (91.4 cm) models
48" (121.9 cm) on 48" (121.9 cm) models
- F. 12" (30.4 cm) min. clearance from both sides of range to side wall or other combustible material
- G. 15" (38.1 cm)
- H. 22" (55.9 cm) on 30" (76.2 cm) models
28" (71.1 cm) on 36" (91.4 cm) models
40" (101.6 cm) on 48" (121.9 cm) models
- I. 4" (10.1 cm)
- J. 3" (7.6 cm)
- K. 5" (12.7 cm)
- L. 3" (7.6 cm) on 30" (76.2 cm) models
11" (27.9 cm) on 36" (91.4 cm) models
21" (53.3 cm) on 48" (121.9 cm) models
- M. 7¹/₂" (19.0 cm)
- N. 9" (22.9 cm)
- O. 6" (15.2 cm)***

**** If not using ventilation, Minimum Clearances**

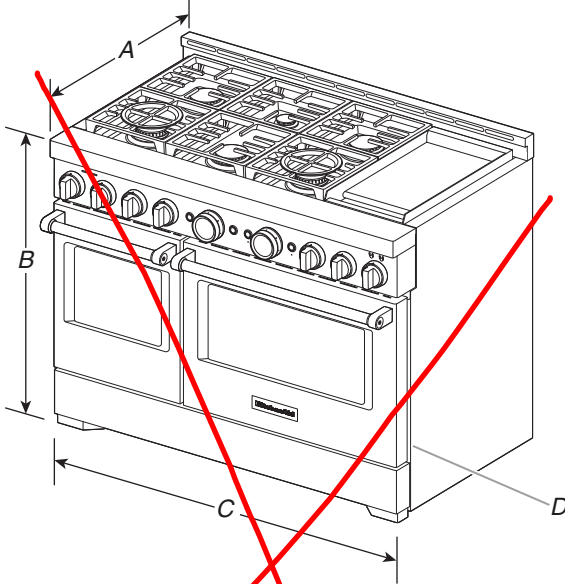
~~**30" (76.2 cm) models: 42" (106.7 cm) minimum clearance** between the top of the cooking platform and the bottom of a combustible surface~~

36" (91.4 cm) models: 58" (147.3 cm) minimum clearance between the top of the cooking platform and the bottom of a combustible surface

48" (121.9 cm) models: 58" (147.3 cm) minimum clearance between the top of the cooking platform and the bottom of a combustible surface

***If the surface of the back wall is constructed of a combustible material and a backguard is not installed, a 6" (15.2 cm) minimum clearance is required for all models.

~~**48" (121.9 cm) models**~~



- A. 27³/₄" (70.5 cm) depth with control panel (See NOTE.)
- B. 36" (91.4 cm) range height when sitting on the wheels
- C. 47⁷/₈" (121.6 cm) width
- D. Model/serial/rating plate location/SAID label (located on front side panel)

NOTE: When installed in a 24" (61.0 cm) base cabinet with 25" (63.5 cm) countertop; front of oven door protrudes 3" (7.6 cm) beyond 24" (61.0 cm) base cabinet.

Cabinet Requirements

Cabinet opening dimensions shown are for 25" (64.0 cm) countertop depth, 24" (61.0 cm) base cabinet depth, and 36" (91.4 cm) countertop height. Dimensions must be met in order to ensure a flush fit to back wall.

Electrical Requirements

⚠ WARNING



Electrical Shock Hazard

Plug into a grounded 3 prong outlet.

Do not remove ground prong.

Do not use an adapter.

Do not use an extension cord.

Failure to follow these instructions can result in death, fire, or electrical shock.

IMPORTANT: The range must be electrically grounded in accordance with local codes and ordinances or, in the absence of local codes, with the National Electrical Code, ANSI/NFPA 70 or Canadian Electrical Code, CSA C22.1.

If codes permit and a separate ground wire is used, it is recommended that a qualified electrical installer determine that the ground path is adequate.

A copy of the above code standards can be obtained from:

National Fire Protection Association
1 Batterymarch Park
Quincy, MA 02169-7471

CSA International
8501 East Pleasant Valley Road
Cleveland, Ohio 44131-5575

- A 120 V, 60 Hz, AC only, 15 A, fused electrical circuit is required. A time-delay fuse or circuit breaker is also recommended. It is recommended that a separate circuit serving only this range be provided.
- Electronic ignition systems operate within wide voltage limits, but proper grounding and polarity are necessary. Check that the outlet provides 120 V power and is correctly grounded.
- The wiring diagram is located behind the kick plate in a clear plastic bag.

Gas Supply Requirements

⚠ WARNING



Explosion Hazard

Use a new CSA International approved gas supply line.

Install a shut-off valve.

Securely tighten all gas connections.

If connected to propane, have a qualified person make sure gas pressure does not exceed 14" (36 cm) water column.

Examples of a qualified person include:

**licensed heating personnel,
authorized gas company personnel, and
authorized service personnel.**

Failure to do so can result in death, explosion, or fire.

Observe all governing codes and ordinances.

IMPORTANT: This installation must conform with all local codes and ordinances. In the absence of local codes, installation must conform with American National Standard, National Fuel Gas Code ANSI Z223.1 — latest edition — or CAN/CGA B149 — latest edition.

IMPORTANT: Range must be connected to a regulated gas supply.

IMPORTANT: Leak testing of the range must be conducted according to the manufacturer's instructions.

KOCE500ESS

KitchenAid[®]

30" Combination Wall Oven with Even-Heat™ True Convection (Lower Oven)

<http://www.kitchenaid.com>



Key Features:

- Even-Heat™ True Convection Oven (lower oven)
- Microwave Convection Cooking (upper oven)
- Professionally-Inspired Design
- Temperature Probe
- EasyConvect™ Conversion System
- 5.0 Cu. Ft. Total Capacity (lower oven)
- 1.4 Cu. Ft. Capacity (upper oven)
- Crispwave™ Microwave Technology and Crisper Pan (upper oven)
- SatinGlide™ Roll-Out Extension Rack (lower oven)

Product Dimensions:

Height: 42 1/2

Width: 30

Depth: 27 1/8

Electrical Requirements:

40 Amps.

Additional Information:

[Use And Care Guide](#)

[Dimension Guide](#)

[Installation Guide](#)

[Warranty Certificate](#)

Available in:

- Black
- Stainless Steel
- White

INVESTED
IN
AMERICA

©Registered trademark/TM Trademark of Whirlpool, U.S.A. © 2016 Whirlpool Corporation. All Rights Reserved. All other trademarks are owned by their respective companies.

Because Whirlpool Corporation policy includes a continuous commitment to improve our products, we reserve the right to change materials and specifications without notice. We also reserve the right to discontinue or transition products without notice.

Manufacturer's Suggested Retail Price (MSRP) and Minimum Advertised Price (MAP) provided for reference purposes only. Dealer alone determines advertised and retail prices.

Created On: Monday, March 06, 2017 18:50:58

KitchenAid® ~~27" (68.6 cm)~~ and 30" (76.2 cm) Electric Built-In Microwave/Oven Combination

PRODUCT MODEL NUMBERS

~~KEMS300E~~ KOCE500E ~~KOCE507E~~

ELECTRICAL CONNECTION

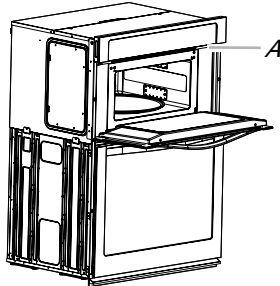
If codes permit and a separate ground wire is used, it is recommended that a qualified electrical installer determine that the ground path and the wire gauge are in accordance with local codes. Check with a qualified electrical installer if you are not sure the oven is properly grounded.

This oven must be connected to a grounded metal, permanent wiring system.

Be sure that the electrical connection and wire size are adequate and in conformance with the National Electrical Code, ANSI/NFPA 70-latest edition or CSA Standards C22.1-94, Canadian Electrical Code, Part 1 and C22.2 No. O-M91-latest edition, and all local codes and ordinances.

To properly install your oven, you must determine the type of electrical connection you will be using and follow the instructions provided for it here.

- Oven must be connected to the proper electrical voltage and frequency as specified on the model/serial/rating plate. See the following illustration.



A. Model/serial/rating plate

- Models rated from 7.3 to 9.6 kW at 240 volts (5.4 to 7.4 kW at 208 volts) require a separate 40-amp circuit. Models rated at 4.8 kW and below at 240 volts (3.6 kW and below at 208 volts) require a separate 30-amp circuit.
- A circuit breaker is recommended.
- Connect directly to the fused disconnect (or circuit breaker box) through flexible, armored or nonmetallic sheathed, copper cable (with grounding wire). See "Make Electrical Connection" section.
- Flexible conduit from the oven should be connected directly to the junction box.
- Do not cut the conduit. The length of conduit provided is for serviceability of the oven.
- A UL listed or CSA approved conduit connector must be provided.
- If the house has aluminum wiring, follow the procedure below:
 - Connect a section of solid copper wire to the pigtail leads.
 - Connect the aluminum wiring to the added section of copper wire using special connectors and/or tools designed and UL listed for joining copper to aluminum.

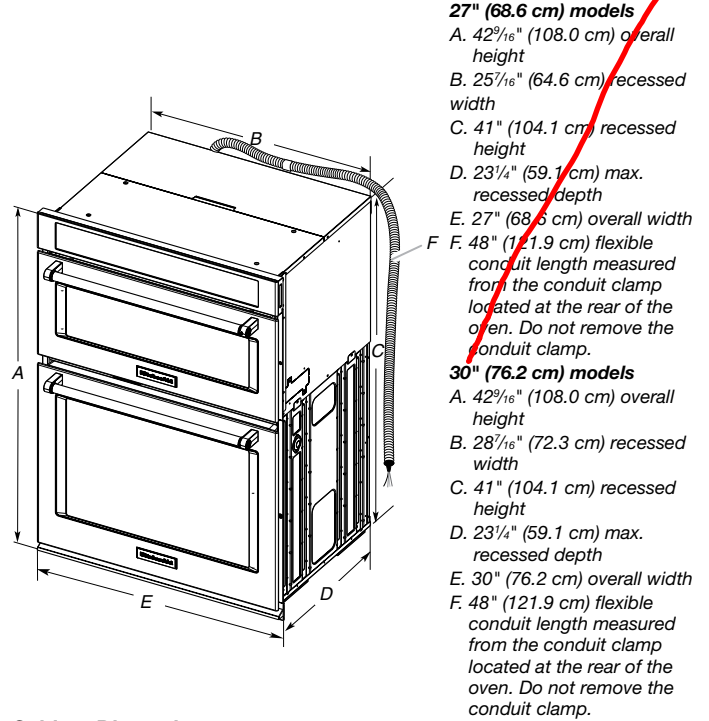
Follow the electrical connector manufacturer's recommended procedure. Aluminum/copper connection must conform with local codes and industry accepted wiring practices.

For power requirements, refer to the following table.

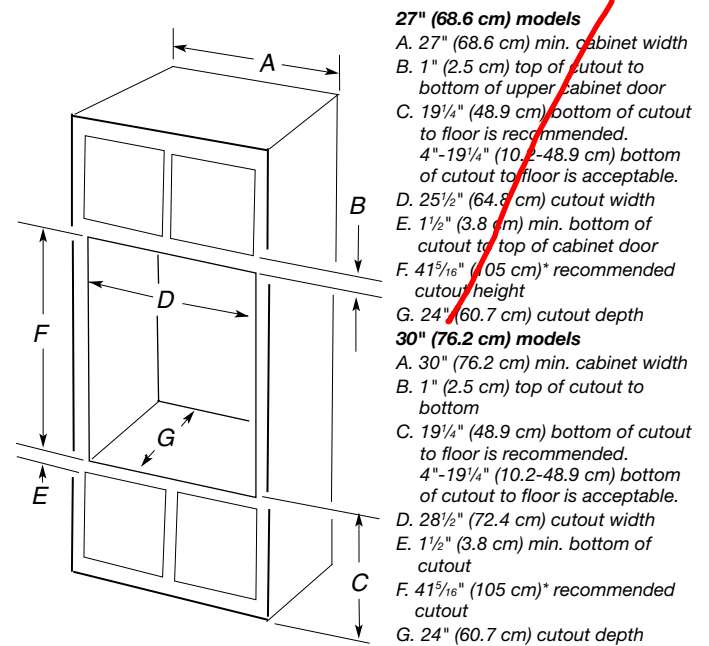
Model	Voltage	Amperage (L1)*	Amperage (L2)*	Rating (W)
KOCE507E/KOCE500E	120/240	32	30	8000
KOCE507E/KOCE500E	120/208	30	28	6600

*Amperage values noted above are for information purposes only; the units are rated in watts.

PRODUCT DIMENSIONS



Cabinet Dimensions



* NOTE: The cabinet height can be between 41" (104.1 cm) and 41¹/₂" (105.6 cm) for microwave/oven combination.

44 dBA Dishwasher in PrintShield™ Finish with FreeFlex™ Third Rack

<http://www.kitchenaid.com>



Key Features:

- FreeFlex™ Third Rack
- 44 dBA
- Advanced Clean Water Wash System
- Fan-Enabled ProDry™ System
- ProWash™ Cycle
- PrintShield™ Finish
- Adjustable Middle Rack
- Extended ProDry™ Option
- Durable Stainless Steel Interior
- SatinGlide® Max Rails in Third and Middle Racks
- Adjustable Rows in Middle and Lower Racks
- Four Stemware Holders in Middle Rack

Product Dimensions:

Height: 34 1/2

Width: 23 7/8

Depth: 24 1/2

Additional Information:

[Dimension Guide](#)

[Energy Guide](#)

[Warranty Certificate](#)

Available in:

Black Stainless Steel with PrintShield™ Finish
Stainless Steel with PrintShield™ Finish



©Registered trademark/TM Trademark of Whirlpool, U.S.A. © 2016 Whirlpool Corporation. All Rights Reserved. All other trademarks are owned by their respective companies.

Because Whirlpool Corporation policy includes a continuous commitment to improve our products, we reserve the right to change materials and specifications without notice. We also reserve the right to discontinue or transition products without notice.

Manufacturer's Suggested Retail Price (MSRP) and Minimum Advertised Price (MAP) provided for reference purposes only. Dealer alone determines advertised and retail prices.

Created On: Thursday, March 26, 2020 14:30:44

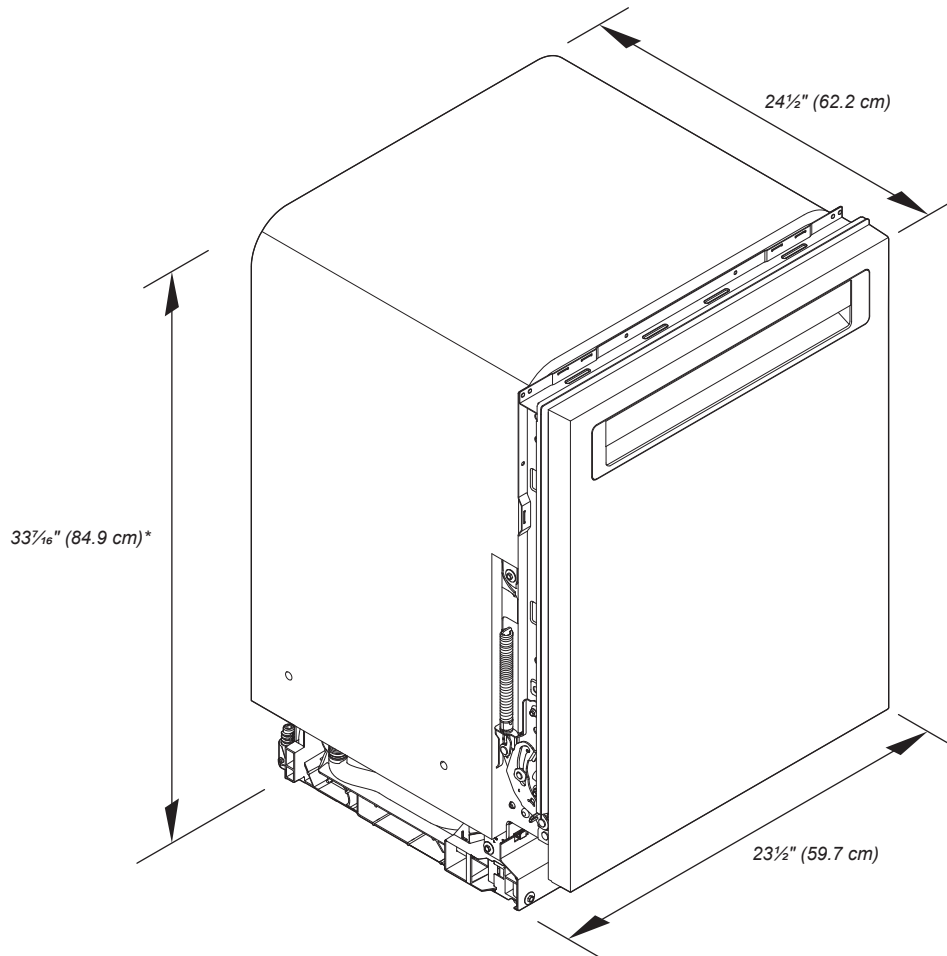


24" Dishwasher

DETAILED PLANNING DIMENSIONS GUIDE

Applies to all model numbers starting with;
KDFE104K, KDFE204K, KDTE204K, KDTE204LPA, KDFM404K,
KDTM404K, KDPM604K, KDTM604K, KDPM704K, KDTM704K,
KDTM704LPA, KDPM804K, KDTM804K

PRODUCT DIMENSIONS

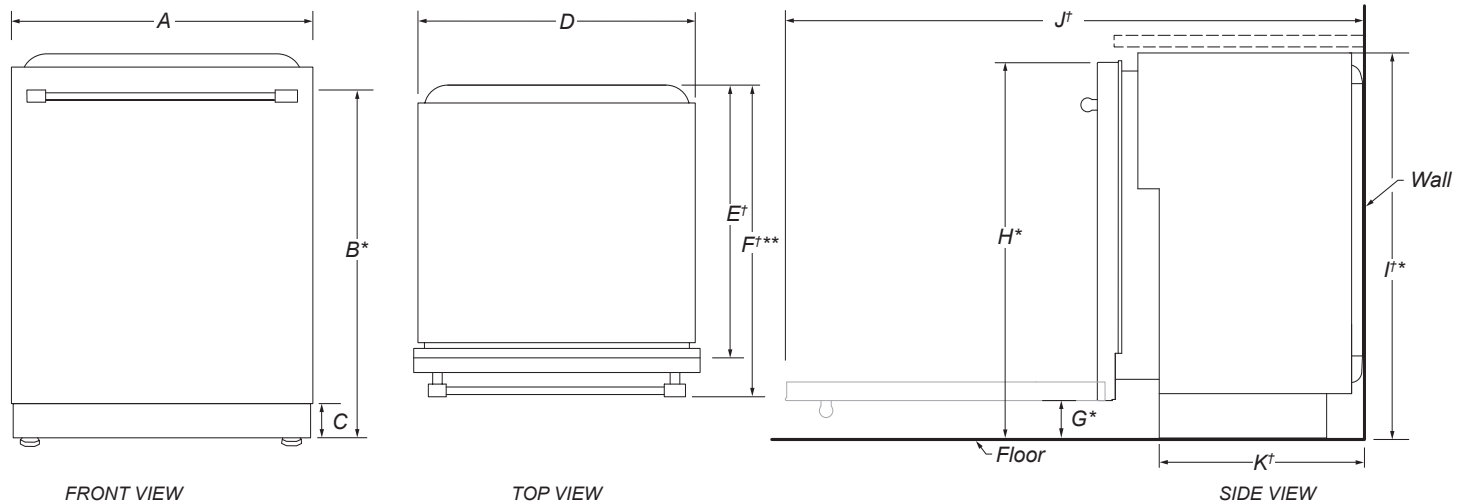


*Dishwasher can be raised $1\frac{7}{16}$ " (3.7 cm) with feet fully extended.

Because Whirlpool Corporation policy includes a continuous commitment to improve our products, we reserve the right to change materials and specifications without notice.

Dimensions are for planning purposes only. For complete details, see Installation Instructions packed with product. Specifications subject to change without notice.

PRODUCT DIMENSIONS (CONTD.)



	DESCRIPTION	DIMENSIONS
A	Width of door	23½" (59.7 cm)
B*	Height to top of handle	30⅜" (78.3 cm)
C	Height of adjustable toe kick	3⅝" (8.4 cm) - min. 4⅞" (11.8 cm) - max.
D	Width of recessed dishwasher	22⅝" (57.4 cm)
E†	Depth without door	22⅝" (57.5 cm)
F†**	Depth with Towel Bar Handle	26⅞" (68.3 cm)
	Depth with Pocket Handle	24½" (62.6 cm)
	Depth of Panel-Ready Models	24" (61.0 cm)
G*	Height to bottom of door (min.)	3⅝" (8.4 cm)
H*	Height to top of door (min.)	33⅞" (84.9 cm)
I*	Height of recessed dishwasher (min.)	33⅝" (85.4 cm)
J†	Depth with door fully open (min.)	50⅜" (127.4 cm)
K†	Depth with toe kick (min.)	20⅜" (52.9 cm)

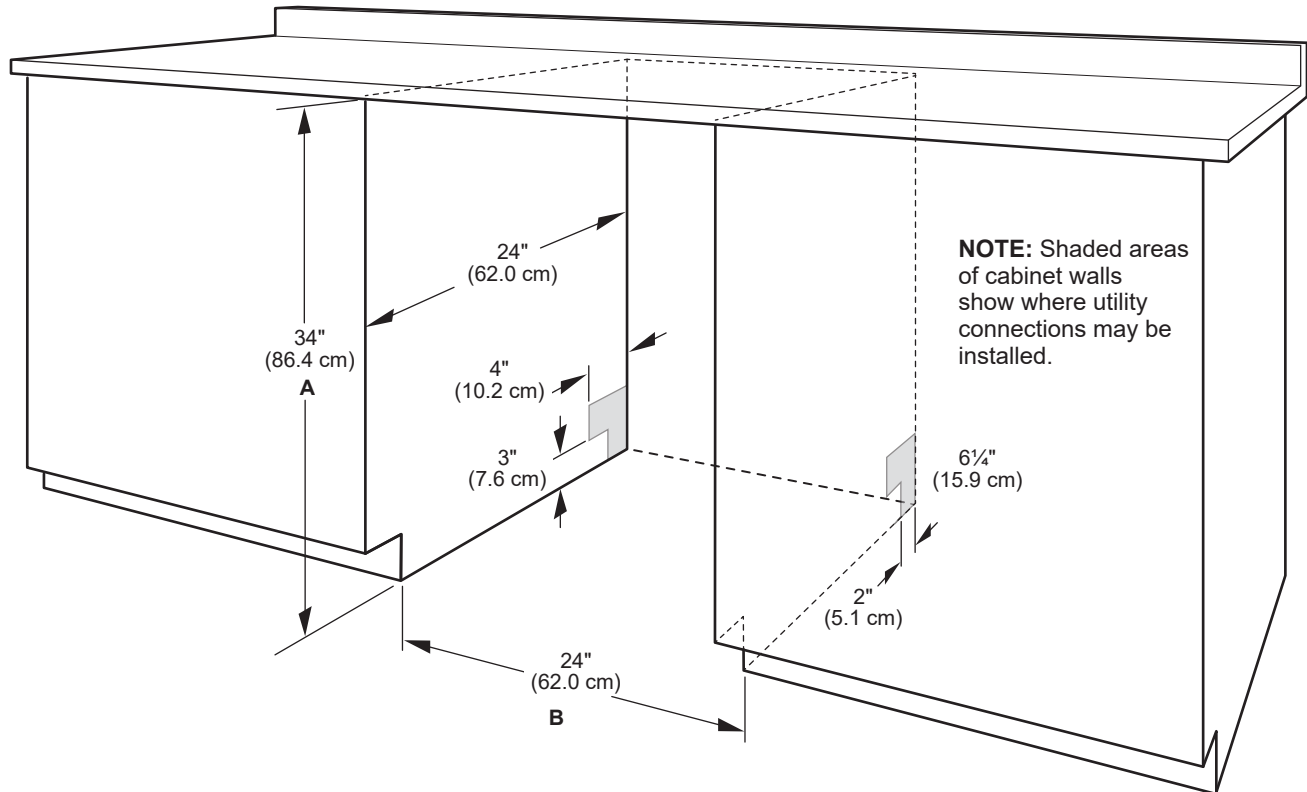
†Insulation blanket thickness adds up to 11/16" (1.8 cm) but can crush up to 1/8" (0.3 cm).

*Dishwasher can be raised 1⅞" (3.7 cm) with feet fully extended.

**For panel-ready models, dishwasher depth is 24" (61.0 cm), not including the 3/4" (1.9 cm) custom door panel.

OPENING/CLEARANCE DIMENSIONS

IMPORTANT: Check that all surfaces have no protrusions that would prohibit dishwasher installation.



A. Measured from the lowest point on the underside of the countertop. May be reduced to 33½" (85.1 cm) by removing the wheels and perforated area of insulation (blanket) on dishwasher.

B. Minimum, measured from narrowest point of opening.

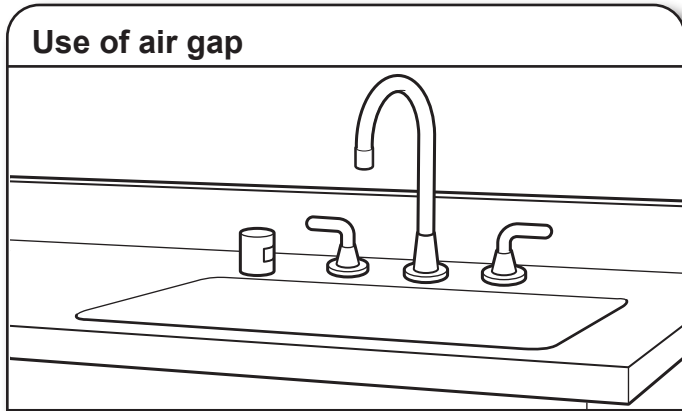
NOTE: Corner locations require a 2" (5.1 cm) minimum clearance between the side of the dishwasher door and the wall or cabinet.

DRAIN REQUIREMENTS

- A new drain hose is supplied with your dishwasher. If drain hose is not long enough, use a new drain hose with a maximum length of 12 ft (3.7 m) that meets all current AHAM/ IAPMO test standards, is resistant to heat and detergent, and fits the 1" (2.5 cm) drain connector of the dishwasher.

NOTE: Do not connect multiple drain hoses together.

- Make sure to connect drain hose to waste tee or disposer inlet above drain trap in house plumbing and 20" (50.8 cm) minimum above the floor. It is recommended that the drain hose either be looped up and securely fastened to the underside of the counter or be connected to an air gap.
- Make sure to use an air gap if the drain hose is connected to house plumbing lower than 20" (50.8 cm) above subfloor or floor.



- If required, the air gap should be installed in accordance with the air gap installation instructions. When you are connecting the air gap, a rubber hose (not provided) will be needed to connect to the waste tee or disposer inlet.
- Use 1/2" (1.3 cm) minimum I.D. drain line fittings.

WATER SUPPLY REQUIREMENTS

- This dishwasher has a water heating feature and also requires a connection to a hot water supply line.
 - A hot water line with 20 psi to 120 psi (138 kPa to 862 kPa) water pressure can be verified by a licensed plumber.
 - 120°F (49°C) water at dishwasher.
 - 3/8" (0.95 cm) O.D. copper tubing with compression fitting or flexible braided water supply line.
- NOTE:** 1/2" (1.3 cm) minimum plastic tubing is not recommended.
- A 90° elbow with 3/4" (0.95 cm) hose connection with rubber washer.
 - Do not solder within 6" (15.2 cm) of the water inlet valve.
 - If installed in new construction, make sure the house water supply lines have been flushed prior to connecting the dishwasher to remove any debris that may exist in the supply line.

NOTE: If replacing an existing dishwasher, it is recommended to install a new water line and drain hose (supplied) with the new dishwasher.

ELECTRICAL REQUIREMENTS

⚠ WARNING



Electrical Shock Hazard

Plug into a grounded 3 prong outlet.

Do not remove ground prong.

Do not use an adapter.

Do not use an extension cord.

Failure to follow these instructions can result in death, fire, or electrical shock.

Be sure that the electrical connection and wire size are adequate and in conformance with the National Electrical Code, ANSI/NFPA 70 - latest edition, and all local codes and ordinances.

A copy of the above code standards can be obtained from:

National Fire Protection Association
1 Batterymarch Park
Quincy, MA 02169-7471

You Must Have:

- 120 V, 60 Hz, AC only, 15 A or 20 A, fused electrical supply
- Copper wire only
- A maximum of 2 field wiring supply conductors (12 AWG largest size) plus 1 grounding conductor are permitted in the terminal box.


We Recommend:

- A time-delay fuse or circuit breaker.

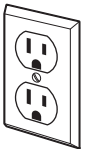

Circuit Requirements:

- The dishwasher may be installed on the same circuit as a garbage disposal providing that the branch circuit cannot exceed rated circuit load and must comply with all governing codes and regulations such as but not limited to National Electrical Code, ANSI/NFPA 70 - latest edition.
- No electrical connections other than the dishwasher power and ground connections can be made inside of the dishwasher terminal box.

If connecting dishwasher with a power supply cord:

- Use UL Listed power cord kit marked for use with dishwasher. 
- Plug into a grounded 3 prong outlet. Outlet must meet all local codes and ordinances.

If connecting dishwasher with direct wiring:

- Use flexible, armored, or nonmetallic sheathed copper wire with grounding wire that meets the wiring requirements for your home and local codes and ordinances. 
- Use a UL Listed/CSA Approved metallic strain relief. 

KBSD602ESS

KitchenAid[®]

25.0 Cu. Ft. 42-Inch Width Built-In Side by Side Refrigerator

<http://www.kitchenaid.com>



Key Features:

- ExtendFresh™ Plus Temperature Management System
- Produce Preserver
- SatinGlide® Crispers
- PrintShield™ Finish
- Automatic Ice Maker
- Professionally-Inspired Design
- ENERGY STAR® Qualified
- LED Lighting
- Adjustable Spill-Resistant Glass Shelves
- Intuitive Controls

Product Dimensions:

Height: 83 3/8

Width: 42 1/4

Depth: 27 3/4

Electrical Requirements:

15.

Additional Information:

[Use And Care Guide](#)

[Dimension Guide](#)

[Installation Guide](#)

[Energy Guide](#)

[Warranty Certificate](#)

Available in:

 Stainless Steel

INVESTED
IN
AMERICA



©Registered trademark/TM Trademark of Whirlpool, U.S.A. © 2016 Whirlpool Corporation. All Rights Reserved. All other trademarks are owned by their respective companies.

Because Whirlpool Corporation policy includes a continuous commitment to improve our products, we reserve the right to change materials and specifications without notice. We also reserve the right to discontinue or transition products without notice.

Manufacturer's Suggested Retail Price (MSRP) and Minimum Advertised Price (MAP) provided for reference purposes only. Dealer alone determines advertised and retail prices.

Created On: Friday, March 03, 2017 07:52:14

PRODUCT MODEL NUMBERS

~~KBSD602E~~ ~~KBSD600E~~ ~~KBSD608E~~ ~~KBSN602E~~ ~~KBSN608E~~
~~KBSD612E~~ ~~KBSD618E~~

Electrical: A 115 volt, 60 Hz., AC only, 15- or 20-amp fused, grounded electrical supply is required. It is recommended that a separate circuit serving only your refrigerator be provided. Use an outlet that cannot be turned off by a switch. Do not use an extension cord.

Water Pressure: A cold water supply with water pressure between 30 and 120 psi (207 and 827 kPa) is required to operate the water dispenser and ice maker. If you have questions about your water pressure, call a licensed, qualified plumber.

Reverse Osmosis Water Supply:

IMPORTANT: The pressure of the water supply coming out of a reverse osmosis system going to the water inlet valve of the refrigerator needs to be between 30 and 120 psi (207 and 827 kPa).

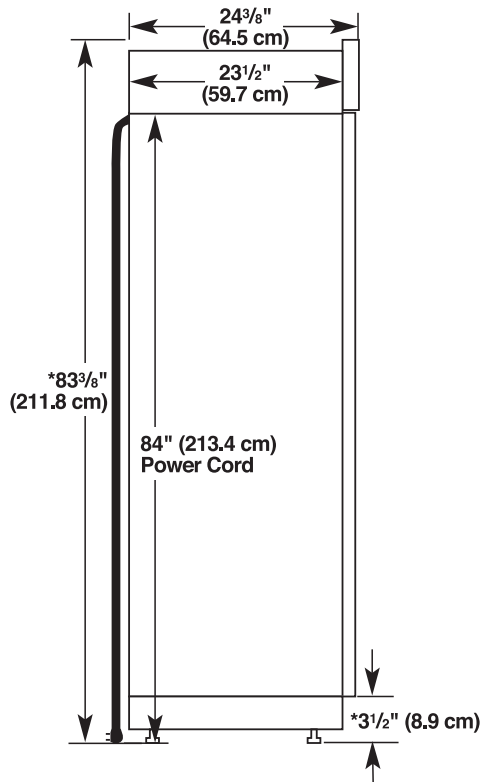
IMPORTANT:

- It is recommended that you do not install the refrigerator near an oven, radiator, or other heat source.
- Do not install in a location where the temperature will fall below 55°F (13°C).
- Floor must support the refrigerator weight, more than 600 lbs (272 kg), door panels and contents of the refrigerator.

PRODUCT DIMENSIONS

- The depth from the front of the top grille to the back of the refrigerator cabinet is 5³/₈" (64.5 cm).
- The power cord is 84" (213 cm) long.
- Height dimensions are shown with leveling legs extended 1/8" (3 mm) below the rollers.

SIDE VIEW

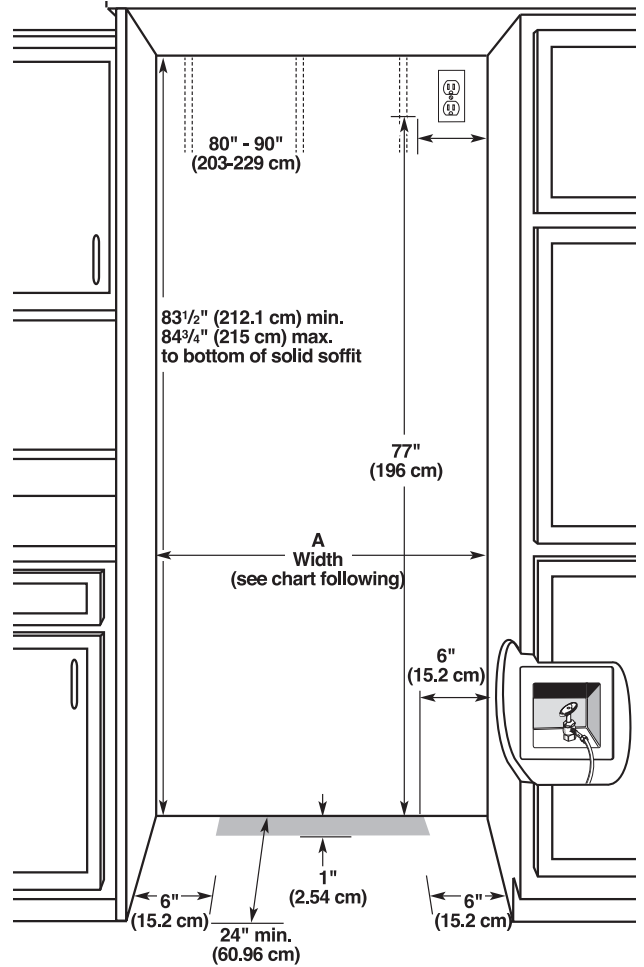


*When leveling legs are fully extended to 1¹/₄" (3.2 cm) below rollers, add 1¹/₈" (2.9 cm) to the height dimensions.

OPENING DIMENSIONS

To avoid tipping during use, the solid soffit must be within 1" (2.5 cm) maximum above the refrigerator. If the solid soffit is higher than 1" (2.5 cm) or one is not available, then the refrigerator must be braced. If the anti-tip boards are needed, they must be attached to the rear wall studs 80" to 90" (203 cm to 229 cm) above the floor. See "Install Anti-Tip Boards" for more information.

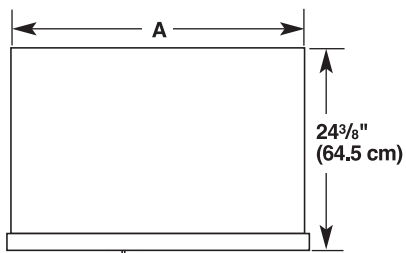
NOTE: A clearance of 1/2" (1.3 cm) above the top grille must be maintained in order for the top grille to be removed.



Model	Width A (as shown above)	Dimension B (as shown above)
36	35 1/4" to 35 3/4" (90.2 cm to 90.8 cm)	4" (10.2 cm)
✓ 42	41 1/2" to 41 3/4" (105.4 cm to 106.1 cm)	7 1/2" (19.1 cm)
48	47 1/2" to 47 3/4" (120.7 cm to 121.3 cm)	10 1/2" (26.8 cm)

NOTE: Flooring under refrigerator must be at same level as the room. Face of cabinetry must be plumb.

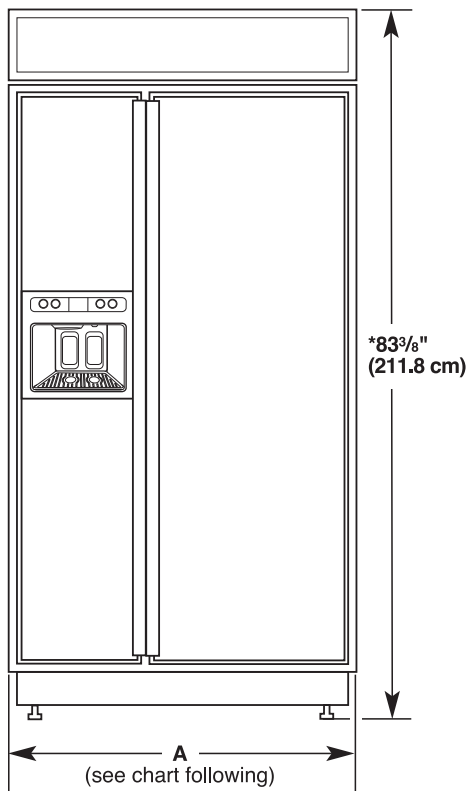
TOP VIEW



Model	Width A
36	33" (80.9 cm)
42	41" (104.1 cm)
48	47" (119.4 cm)

FRONT VIEW

- Width dimensions were measured from trim edge to trim edge.
- Height dimensions are shown with leveling legs extended 1/8" (3 mm) below the rollers.



Model	Width A (Trim edge to trim edge)
36	36 1/32" (92.3 cm)
42	42 11/32" (107.5 cm)
48	48 1/32" (122.8 cm)

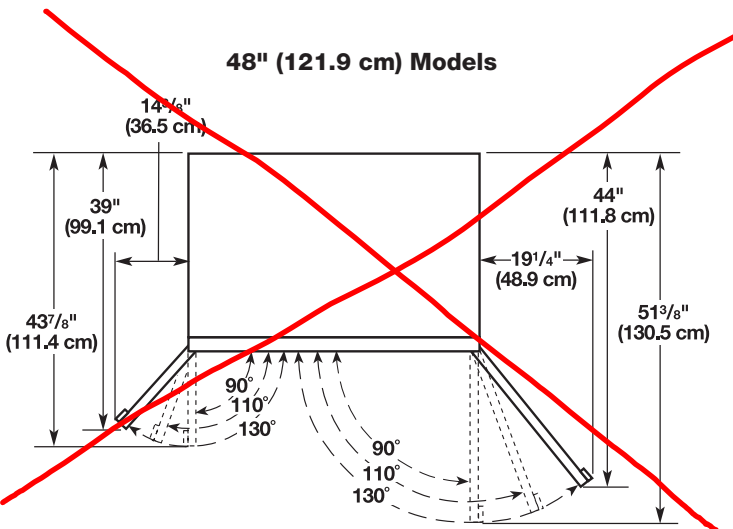
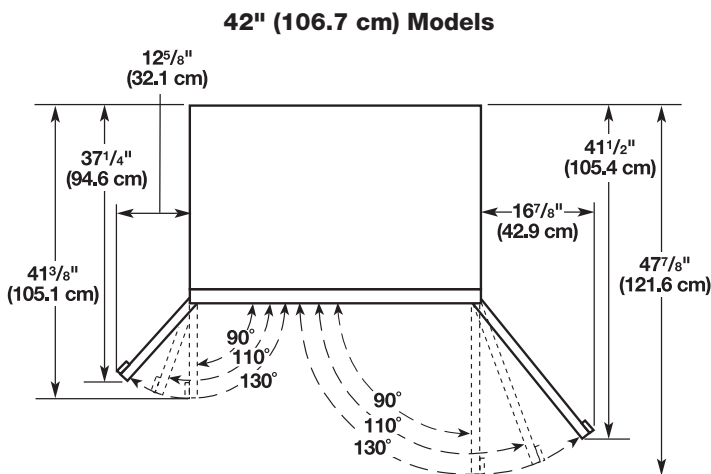
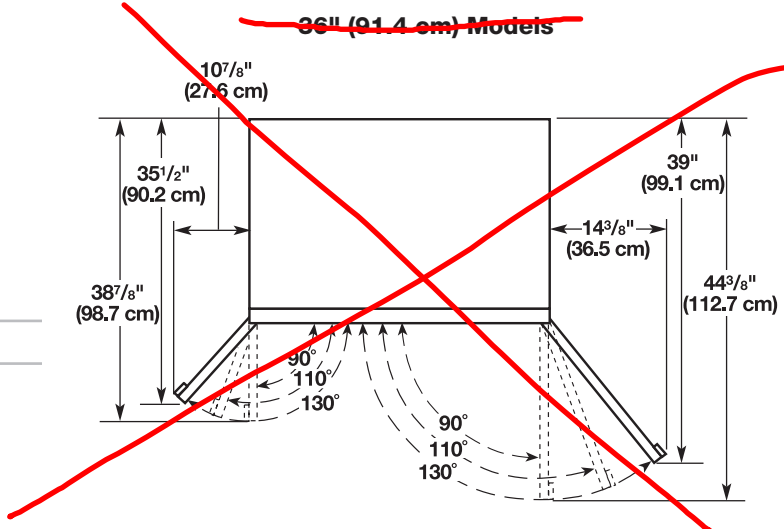
*When leveling legs are fully extended to 1 1/4" (3.2 cm) below rollers, add 1 1/8" (2.9 cm) to the height dimensions.

DOOR SWING DIMENSIONS

The location must permit both doors to open to a minimum of 90°. Allow 5" (12.7 cm) minimum space between the side of the refrigerator and a corner wall.

NOTE: More clearance may be required if you are using overlay panels, custom handles, or extended handles on a Classic model.

To adjust the door swings, see "Adjust Doors."



KOWT100ESS

KitchenAid[®]

30" Slow Cook Warming Drawer

<http://www.kitchenaid.com>

Key Features:

- Slow Cook Function
- Custom-Control Technology
- Professionally-Inspired Design
- Sensor Temperature Control
- Bread Proofing
- Humidity Slide Control
- 2-Position Racks
- Power Indicator Light

Product Dimensions:

Height: 10 1/4

Width: 29 3/4

Depth: 26

Electrical Requirements:

15. 120 V.

Additional Information:

[Use And Care Guide](#)

[Dimension Guide](#)

[Installation Guide](#)

[Warranty Certificate](#)



Available in:

 Stainless Steel

INVESTED
IN
AMERICA

®Registered trademark/TM Trademark of Whirlpool, U.S.A. © 2016 Whirlpool Corporation. All Rights Reserved. All other trademarks are owned by their respective companies.

Because Whirlpool Corporation policy includes a continuous commitment to improve our products, we reserve the right to change materials and specifications without notice. We also reserve the right to discontinue or transition products without notice.

Manufacturer's Suggested Retail Price (MSRP) and Minimum Advertised Price (MAP) provided for reference purposes only. Dealer alone determines advertised and retail prices.

Created On: Monday, March 06, 2017 19:05:33



~~24" (61 CM), 27" (68.6 CM), AND 30" (76.2 CM)~~
INDOOR/OUTDOOR ELECTRIC WARMING DRAWER

PRODUCT MODEL NUMBERS

KOWT100E ~~KOWT104E~~ ~~KOWT107E~~

ELECTRICAL CONNECTION

A 120 volt, 60 Hz., AC only, 15-amp fused, electrical circuit is required. A time-delay fuse or circuit breaker is also recommended. It is recommended that a separate circuit serving only this warming drawer be provided.

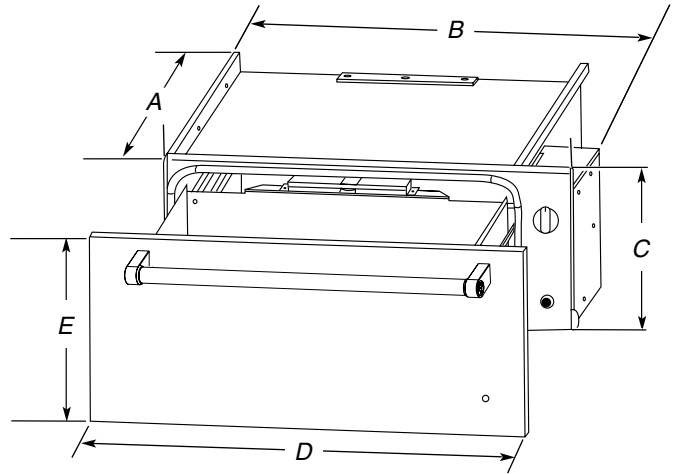
LOCATION REQUIREMENTS

IMPORTANT: Observe all governing codes and ordinances.

- Cutout dimensions that are shown must be used. Given dimensions provide minimum clearance with warming drawer.
- Recessed installation area must provide complete enclosure around the recessed portion of the warming drawer.
- Grounded electrical supply is required. See "Electrical Requirements" section.
- Electrical supply outlet should be located in the rear wall on the upper right-hand side of the cutout or in an adjacent cabinet. The outlet must be recessed. If the electrical outlet is located in an adjacent cabinet, a 1 3/8" (3.5 cm) minimum diameter hole should have been drilled in the back of the cutout or support surface to pass the power supply cord through to the outlet.
- Warming drawer support surface must be solid, level and flush with bottom of cabinet cutout.
- Warming drawers with oiled bronze, black glass, and white glass panels are approved for indoor use only.

For best performance results make sure the warming drawer is leveled before completing installation. There is no way to level the warming drawer after it has been installed. If the installation is not level, the door may slide open or not seal tightly, allowing heat to escape.

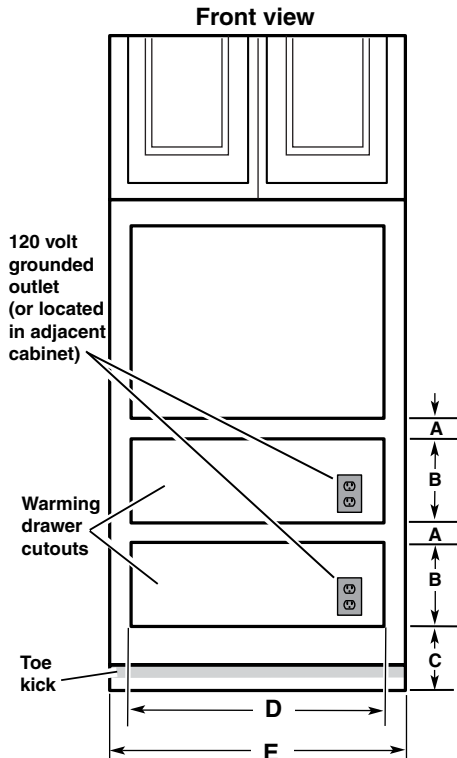
PRODUCT DIMENSIONS



WARMING DRAWER SIZE	OVEN DEPTH (A)	RECESSED WIDTH (B)	RECESSED HEIGHT (C)	OVERALL WIDTH (D)	DRAWER FRONT HEIGHT (E)
24" (61 cm)	23 1/8" (58.7 cm)	22 1/4" (56.5 cm)	9" (22.9 cm)	23 3/4" (60.3 cm)	10 1/4" (26.1 cm)
27" (68.6 cm)	23 1/8" (58.7 cm)	25 1/4" (64.1 cm)	9" (22.9 cm)	26 3/4" (67.9 cm)	10 1/4" (26.1 cm)
30" (76.2 cm)	23 1/8" (58.7 cm)	28 1/4" (71.8 cm)	9" (22.9 cm)	29 3/4" (75.6 cm)	10 1/4" (26.1 cm)

CABINET OPENING DIMENSIONS

Cabinet Front View



WARMING DRAWER SIZE	MINIMUM BETWEEN CUTOUTS (A)	CUTOUT HEIGHT (B)	MINIMUM/RECOMMENDED (C)	CUTOUT WIDTH (D)	MINIMUM CABINET WIDTH (E)
24" (61 cm)	2 1/2" (6.4 cm)	9 1/8" (23.2 cm)	1" (2.5 cm) / 4 1/4" (10.8 cm)	22 1/2" (57.1 cm)	24" (61 cm)
27" (68.6 cm)	2 1/2" (6.4 cm)	9 1/8" (23.2 cm)	1" (2.5 cm) / 4 1/4" (10.8 cm)	25 1/2" (64.8 cm)	27" (68.6 cm)
30" (76.2 cm)	2 1/2" (6.4 cm)	9 1/8" (23.2 cm)	1" (2.5 cm) / 4 1/4" (10.8 cm)	28 1/2" (72.4 cm)	30" (76.2 cm)

Warming drawer can be installed as an indoor single or double installation or installed under a single oven. Two warming drawers under a single oven are shown.

NOTE: The warming drawer cannot be leveled after being installed.

For outdoor installation follow the cutout dimensions above. Install the outdoor warming drawer in a permanent fixture.

Custom Wood Drawer Front

If you plan to install a custom wood panel to match your cabinets, we recommend consulting a qualified cabinetmaker or carpenter. The back of the wood panel must be sealed to avoid moisture damage.

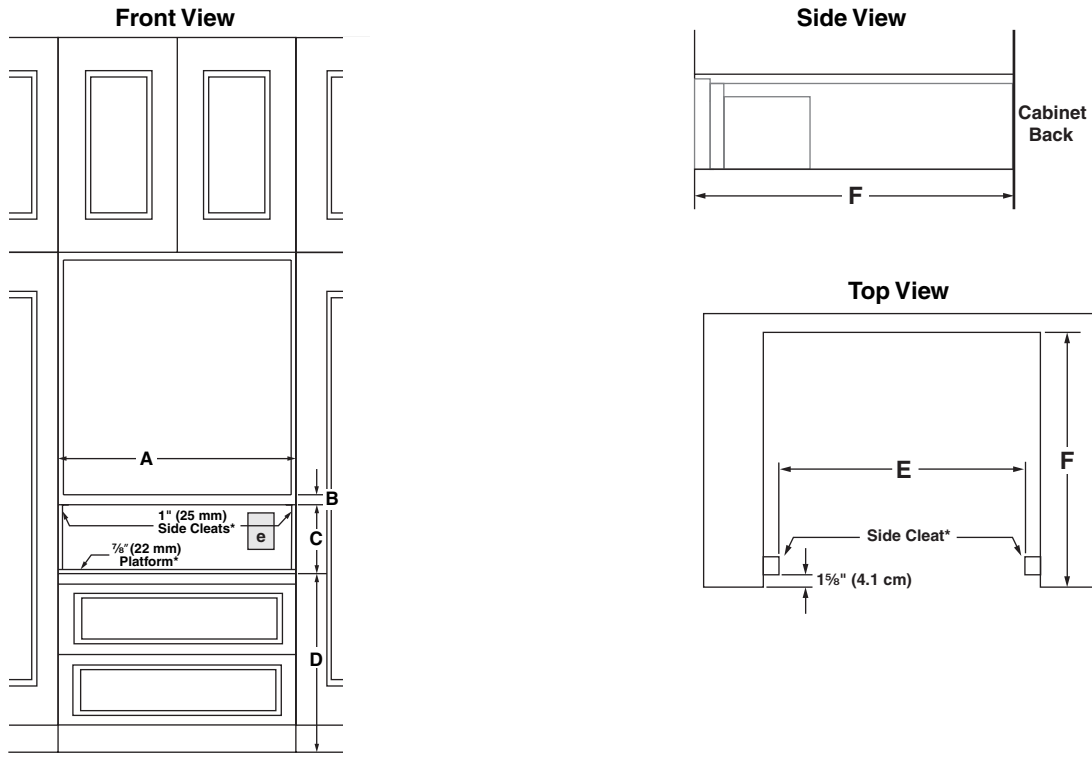
Clearance Dimensions – Flush Installation

Flush Installation Requirements

A 25 $\frac{3}{8}$ " (64.5 cm) minimum cutout depth is required.

These dimensions will result in a $\frac{1}{4}$ " (6 mm) reveal on all sides of the warming drawer.

The front face of the cleats and platforms will be visible and should be treated as a finished surface.



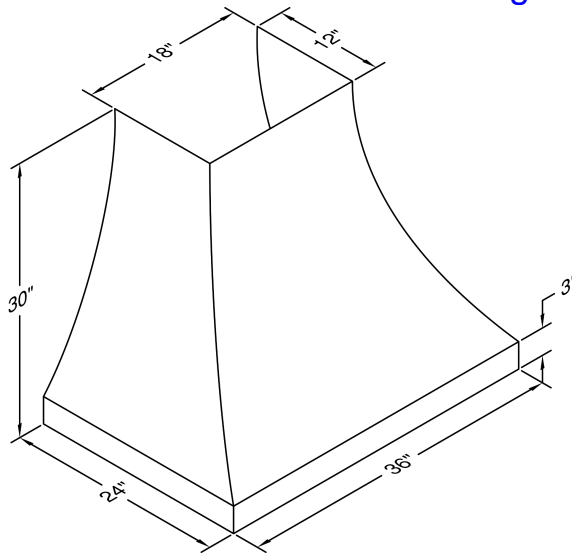
	27" Models	30" Models	
A	Width of flush inset cutout (minimum)	27 $\frac{1}{4}$ " (69.2 cm)	30 $\frac{1}{4}$ " (76.8 cm)
B	Height between cutouts (minimum)	2 $\frac{1}{2}$ " (6.4 cm)	2 $\frac{1}{2}$ " (6.4 cm)
C	Height of flush inset cutout (minimum)	10 $\frac{3}{4}$ " (27.3 cm)	10 $\frac{3}{4}$ " (27.3 cm)
D	Bottom of cutout to floor (recommended)	8 $\frac{1}{4}$ " (21.0 cm)	8 $\frac{1}{4}$ " (21.0 cm)
	Bottom of cutout to floor (minimum)	5" (12.7 cm)	5" (12.7 cm)
E	Width of opening (minimum)	25 $\frac{1}{4}$ " (64.1 cm)	28 $\frac{1}{4}$ " (71.8 cm)
F	Depth of cutout (minimum)	25 $\frac{3}{8}$ " (64.5 cm)	25 $\frac{3}{8}$ " (64.5 cm)
e	Recommended outlet location		

Model Number: JDH236/C2

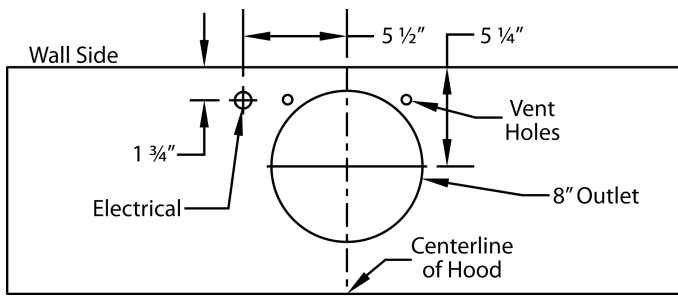
Special Notes: LED lights. This model is not available with heat lamps.

WIDTH:	36"
DEPTH:	24"
HEIGHT:	30"
CFM:	600
SONES:	6.5
AMPS:	4.0
# LIGHTS:	2

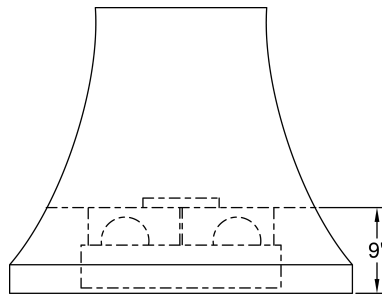
10ft ceiling ht accounted for with 2ft extension.



CONNECTION DIAGRAM

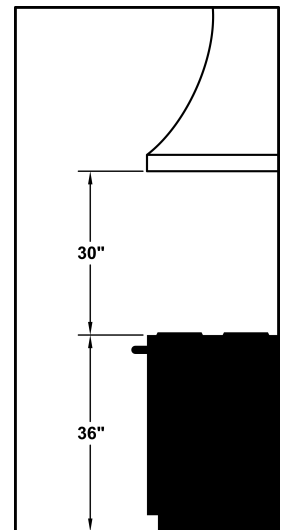


600 CFM B200 Dual Blower (Top View)



(Front View)

REC. MOUNTING HEIGHT*



* Exceeding recommended mounting height may compromise performance.

ELECTRICAL/MECHANICAL SPECIFICATIONS FOR BLOWER UNIT

MODEL	VOLTS	AMPS+	HZ	RPM	CFM SP@0.0"	EQUIV CFM\$	CFM SP@0.1"	CFM SP@0.2"	CFM SP@0.3"	MIN. ROUND DUCT SIZE	SONES#
B200 Dual	115	4.0	60	1550	600	900	531	480	430	8" (50 sq. in.)	6.5

+ This model is equipped with LED lighting: (2 lights: 30" - 41", 3 lights: 42" - 53", 4 lights: 54" - 66").

\$ Because the Magic Lung blower uses centrifugal filtration rather than conventional baffle or mesh filters, the Magic Lung blower can handle cooking equipment with higher cubic feet per minute (CFM) requirements and can deliver equivalent CFM much more efficiently than other filtration systems. When comparing the Magic Lung with other blower units made by other manufacturers, use the "Equivalent CFM".

Ratings in accordance with the Standard Test Code by the Energy Systems Laboratory of the Texas Engineering Experiment Station.

Note; pedestal height to be added, both washer and dryer



5.8 cu. ft. I.E.C. Front Load Washer with Load & Go™ XL Dispenser

WFW8620HC

Available Finishes/Colours

WFW8620HC
Chrome Shadow

WFW8620HW
White

Dimensions

Depth 33 1/4

Width 27

Exterior

Lid/Door Lock Yes

Lid/Door Swing Left

Window Yes

Compatibility

Connectivity No

Works With No

Appearance

Window Yes

LCD Touch Screen No

Details

Advanced Vibration Control™ Yes

Automated Dispenser Load&Go™

Details

Automatic Load Size Sensing Technology Yes

Dispense System Detergent, Fabric Softener & Bleach

Internal Heater Yes

Eco Monitor/Efficiency Monitor No

Fan Type Fan Fresh®

Maytag Commercial Components No

Out of Balance Sensing Yes

Drum Material Stainless Steel

Hoses Included 4ft 4in Drain Hose Included

Care for clothes in fewer steps with a front load washer. Fill detergent once and skip refills for 40 loads with the Load & Go™ XL dispenser. Let Intuitive Controls guide you to the right cycle combinations for whatever you're washing and turn to the front load washing machine's Steam Clean option when you need help removing everyday stains.


Top Features


Load & Go™ XL Dispenser


Our largest capacity front load washer at 5.8 cu. ft. I.E.C.

Intuitive Controls

Manuals & Literature:

 [Energy Guide](#)

 [Installation Guide](#)

 [Use and Care Guide](#)

 [Warranty Information](#)

LOCATION REQUIREMENTS

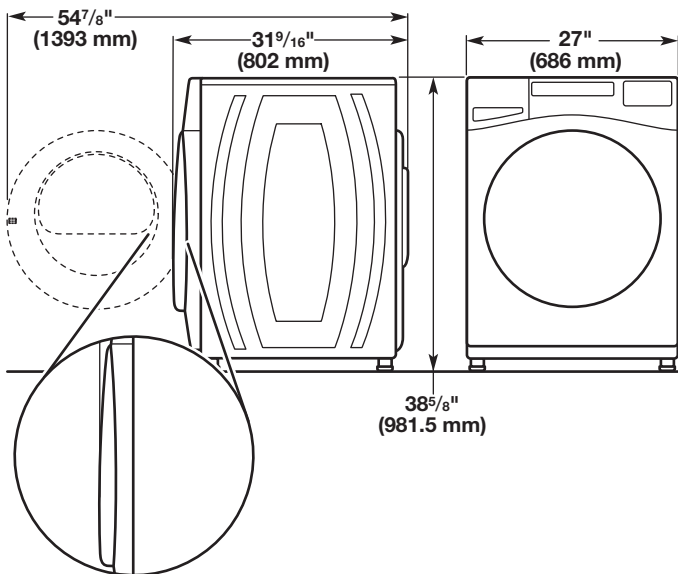
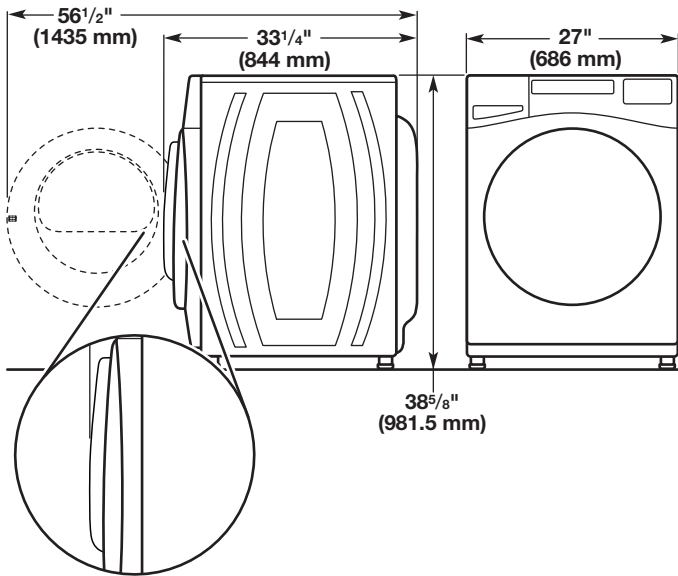
Proper installation is your responsibility.

You will need:

- A water heater set to 120°F (49°C).
- A grounded electrical outlet located within 6 ft. (1.8 m) of power cord on back of washer.
- Hot and cold water faucets located within 4 ft. (1.2 m) of hot and cold water fill valves on washer, and water pressure of 20–100 psi (137.9–689.6 kPa).
- A level floor with maximum slope of 1" (25 mm) under entire washer. Installing on carpet or surfaces with foam backing is not recommended.
- Floor must support washer's total weight (with water and load) of 315 lbs (143 kgs).

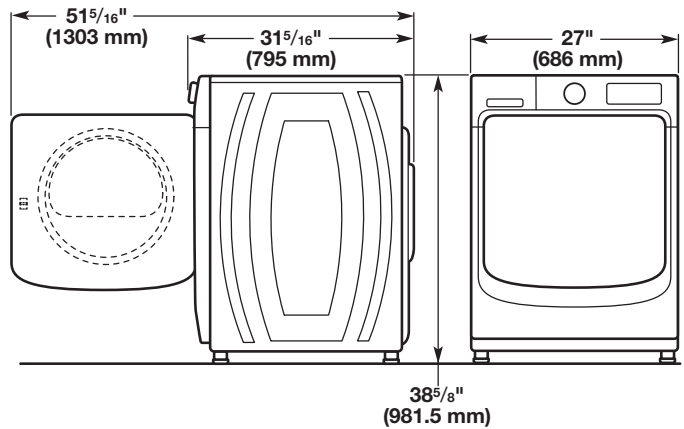
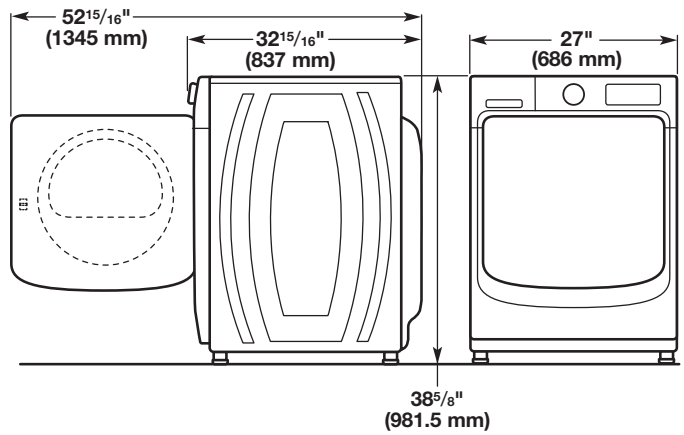
IMPORTANT: Do not install, store, or operate washer where it will be exposed to weather or in temperatures below 32°F (0°C). Water remaining in washer after use may cause damage in low temperatures. See "Washer Care" in your Use and Care Guide for winterizing information.

Whirlpool® Models*



*For additional details (or information) specific to your model, refer to the 'Dimensions' listed for your model at www.whirlpool.com.

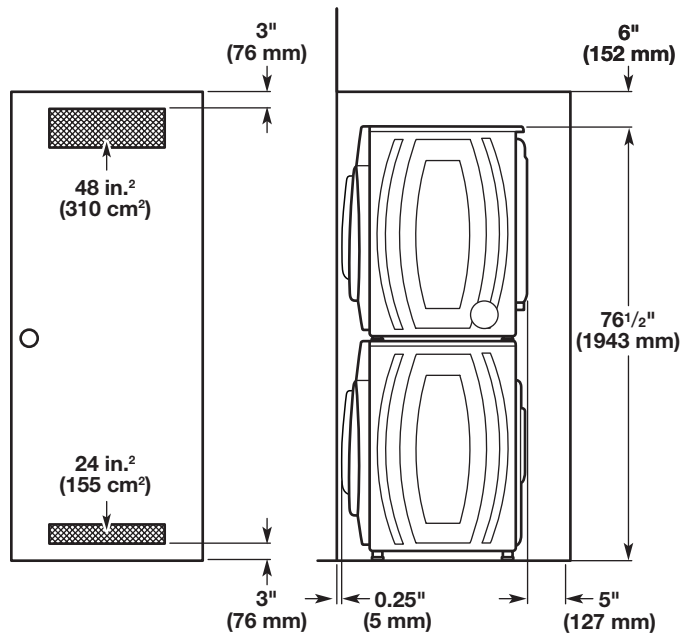
Maytag® Models



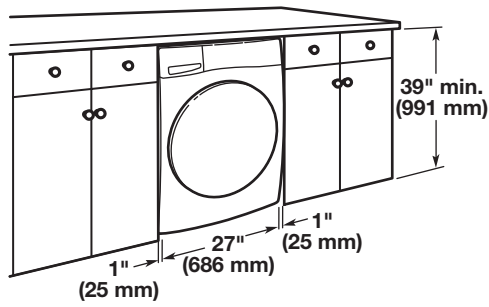
All dimensions show minimum spacing allowed. For each arrangement, consider allowing more space for ease of installation and servicing, and spacing for companion appliances and clearances for walls, doors, and floor moldings.

Space must be large enough to allow door to fully open. Add spacing of 1" (25 mm) on all sides of washer to reduce noise transfer. If a closet door or louvered door is installed, top and bottom air openings in door are required.

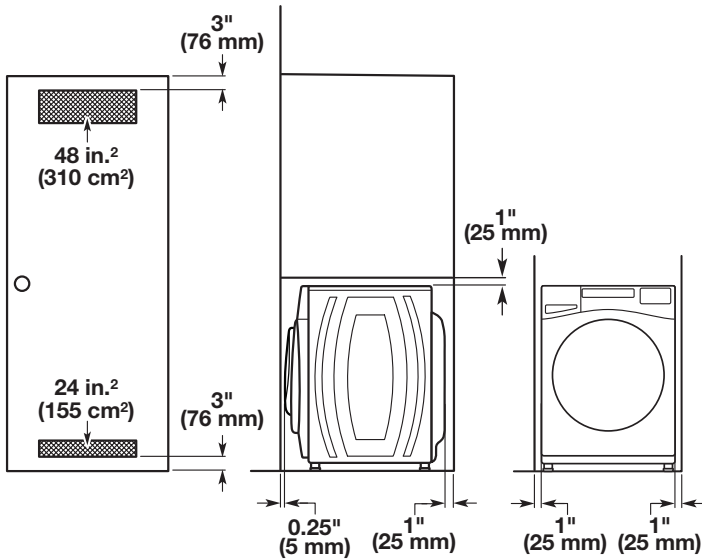
Recessed area or closet installation (stacked washer and dryer):



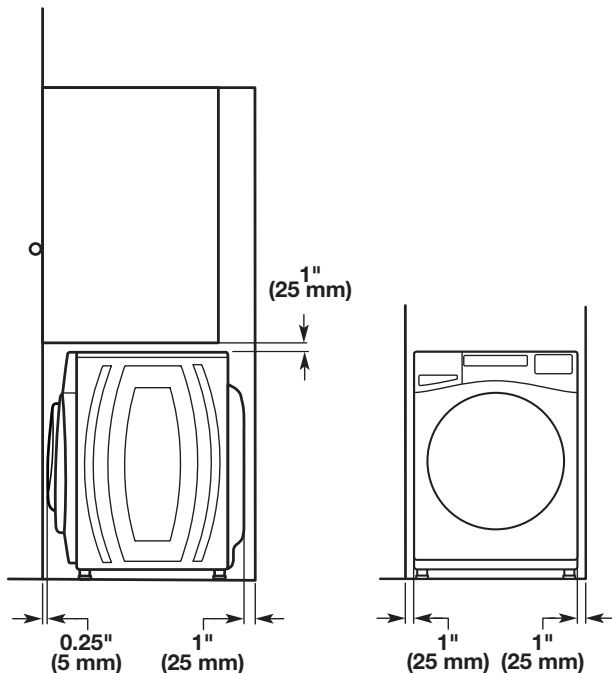
Custom under-counter installation:



Recessed area or closet installation:



Custom cabinet installation:

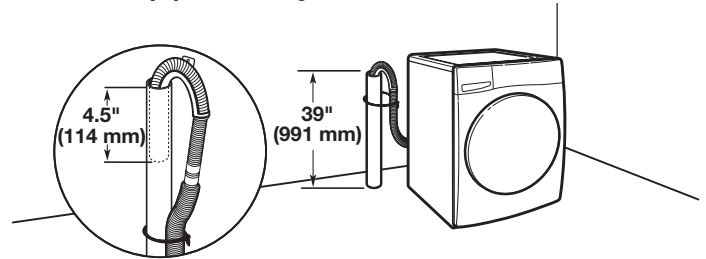


DRAIN SYSTEM

The drain system can be installed using a floor drain, wall standpipe, floor standpipe, or laundry tub. Select the method you need.

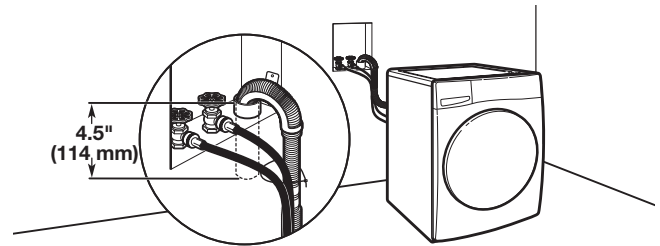
IMPORTANT: To avoid siphoning, only 4.5" (114 mm) of drain hose should be inside standpipe. Always secure drain hose with cable tie.

Floor standpipe drain system



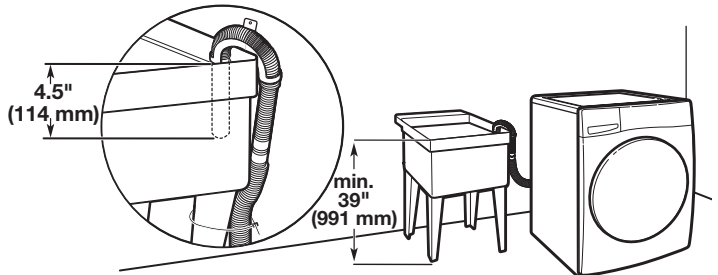
Minimum diameter for a standpipe drain: 2" (51 mm). Minimum carry-away capacity: 17 gal. (64 L) per minute. A 1/4" (6 mm) diameter to 1" (25 mm) diameter Standpipe Adapter Kit is available (Part Number 3363920). Top of standpipe must be at least 39" (991 mm) from the floor; install no higher than 96" (2.44 m) from bottom of washer. If you have an overhead sewer and need to pump higher than 96" (2.44 m), a sump pump and associated hardware are needed. See "Alternate parts."

Wall standpipe drain system

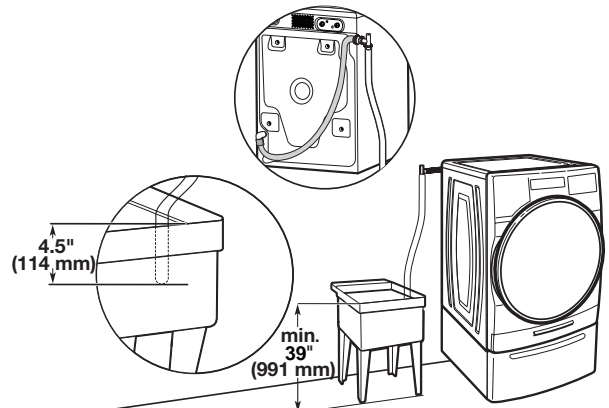


See requirements for floor standpipe drain system.

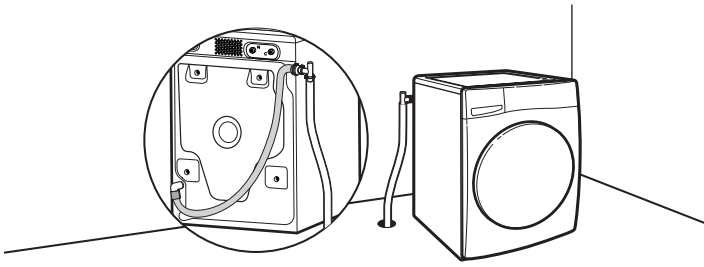
Laundry tub drain system



Minimum capacity: 20 gal. (76 L). Top of laundry tub must be at least 39" (991 mm) from the floor; install no higher than 96" (2.44 m) from bottom of washer.



Floor drain system



Floor drain system requires a Siphon Break Kit, two Connector Kits, and an Extension Drain Hose that may be purchased separately. Please contact your retailer for ordering information, or see the "Assistance or Service" page on the back of your Use and Care Guide. Minimum siphon break height: 28" (710 mm) from bottom of washer. (Additional hoses may be needed.)

ELECTRICAL REQUIREMENTS

⚠ WARNING



Electrical Shock Hazard

Plug into a grounded 3 prong outlet.

Do not remove ground prong.

Do not use an adapter.

Do not use an extension cord.

Failure to follow these instructions can result in death, fire, or electrical shock.

- A 120 V, 60 Hz., AC only, 15 or 20 A, fused electrical supply is required. A time-delay fuse or circuit breaker is recommended. It is recommended that a separate circuit breaker serving only this appliance be provided.
- This washer is equipped with a power supply cord having a 3 prong grounding plug.
- To minimize possible shock hazard, the cord must be plugged into a mating, 3 prong, grounding-type outlet, grounded in accordance with local codes and ordinances. If a mating outlet is not available, it is the personal responsibility and obligation of the customer to have the properly grounded outlet installed by a qualified electrician.
- If codes permit and a separate ground wire is used, it is recommended that a qualified electrician determine that the ground path is adequate.
- Do not ground to a gas pipe.
- Check with a qualified electrician if you are not sure the washer is properly grounded.
- Do not have a fuse in the neutral or ground circuit.

GROUNDING INSTRUCTIONS

For a grounded, cord-connected washer:

This washer must be grounded. In the event of a malfunction or breakdown, grounding will reduce the risk of electrical shock by providing a path of least resistance for electric current. This washer is equipped with a cord having an equipment-grounding conductor and a grounding plug. The plug must be plugged into an appropriate outlet that is properly installed and grounded in accordance with all local codes and ordinances.

WARNING: Improper connection of the equipment-grounding conductor can result in a risk of electric shock. Check with a qualified electrician or serviceman if you are in doubt as to whether the appliance is properly grounded.

Do not modify the plug provided with the appliance – if it will not fit the outlet, have a proper outlet installed by a qualified electrician.

INSTALLATION INSTRUCTIONS

⚠ WARNING

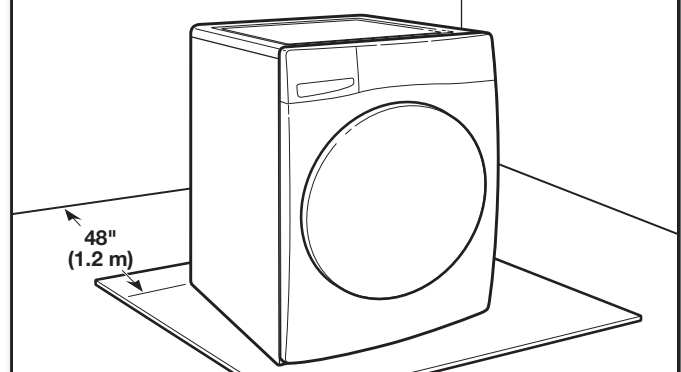
Excessive Weight Hazard

Use two or more people to move and install washer.

Failure to do so can result in back or other injury.

NOTE: To avoid floor damage, set washer onto cardboard before moving it.

1. Move washer



It is necessary to remove all shipping materials for proper operation and to avoid excessive noise from washer.

Move washer to within 4 ft. (1.2 m) of its final location. It must be in a fully upright position.

WFP2715HC



<http://www.whirlpool.com>

15.5" Pedestal for Front Load Washer and Dryer with Storage

Key Features:

- Laundry Pedestal

Product Dimensions:

Height: 15 1/2

Width: 27

Depth: 27 5/16

Additional Information:

[Installation Guide](#)



Available in:

Black Shadow

Chrome Shadow

White



®Registered trademark/TM Trademark of Whirlpool, U.S.A. © 2016 Whirlpool Corporation. All Rights Reserved. All other trademarks are owned by their respective companies.

Because Whirlpool Corporation policy includes a continuous commitment to improve our products, we reserve the right to change materials and specifications without notice. We also reserve the right to discontinue or transition products without notice.

Manufacturer's Suggested Retail Price (MSRP) and Minimum Advertised Price (MAP) provided for reference purposes only. Dealer alone determines advertised and retail prices.


Created On: Thursday, January 31, 2019 20:03:26



Whirlpool® 7.4 cu.ft Front Load Electric Dryer with Intuitive Touch Controls, Steam Refresh Cycle

YWED8620HC

Available Finishes/Colours

 YWED8620HC
Chrome Shadow

Dimensions

Height	38 3/4
Width	27
Depth	31

Configuration and Overview

Venting Direction	Left, Right, Bottom, Rear
Maximum Vent Length	64
Fuel Type	Electric
Energy Star® Qualified	ENERGY STAR® Qualified

Cycle and Options

Number of Dryer Cycles	37
Advanced Moisture Sensor	Yes
Cycle Time Remaining	Yes
EcoBoost™/Energy Saver	Yes

Cycle and Options

Lint Filter Indicator	No
Temperature Selections	High, Low, Extra Low, Medium, Air Only

Style and Extras

Electronic Display Type	Cycle Indicator Lights
Drum Material	Stainless Steel
Drying Rack	Yes
Interior Light	Yes
Pedestal Options	Yes
Stackable	Yes
Feedback-Status Indicators	Check Vent, Cool Down, Damp, Sensing, Wet
Dryness Levels Selections	More, Less, Normal

Care is being flexible. That's why we help you do laundry in a way that fits your needs. Clothes are ready to wear thanks to the Steam Refresh cycle. It releases wrinkles and reduces odors without rewashing. Using water and a little heat, items that don't need to be rewashed are ready to wear in no time. Help keep wrinkles from setting into clean, dry fabrics. The Wrinkle Shield™ Plus option with Steam uses tumbling and steam for up to 150 minutes after the cycle ends or until you open the dryer door for improved wrinkle-fighting performance.

Top Features

Steam Refresh Cycle

Wrinkle Shield™ Plus Option with Steam

Stainless Steel Dryer Drum

Manuals & Literature:

 [Use and Care](#)  [Installation Instructions](#)

 [Warranty](#)



Because Whirlpool Corporation policy includes a continuous commitment to improve our products, we reserve the right to change materials and specifications without notice. Dimensions are for planning purposes only. For complete details, see Installation Instructions packed with product. Specifications subject to change without notice.

Additional parts may be required, depending on your installation. Check local codes. Check existing electrical supply and venting. Read “Electrical Requirements” and “Venting Requirements” before purchasing parts.

If using a power supply cord:

Use a UL Listed power supply cord kit marked for use with clothes dryers. The kit should contain:

- A UL Listed 30 amp power supply cord, rated 120/240 volt minimum. The cord should be type SRD or SRDT and be at least 4 ft. (1.22 m) long. The wires that connect to the dryer must end in ring terminals or spade terminals with upturned ends.
- A UL Listed strain relief.


Optional Equipment (not supplied with dryer):

Refer to your Use and Care Guide for information about accessories available for your dryer.

LOCATION REQUIREMENTS

Check code requirements. Some codes limit, or do not permit, installing dryer in garages, closets, mobile homes, or sleeping quarters. Contact your local building inspector.

⚠ WARNING



Explosion Hazard

Keep flammable materials and vapors, such as gasoline, away from dryer.

Place dryer at least 18 inches (460 mm) above the floor for a garage installation.

Failure to do so can result in death, explosion, or fire.

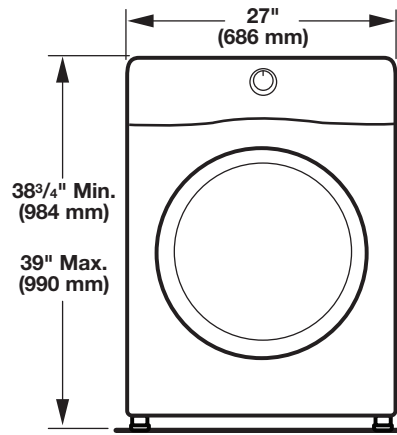
You will need:

- A location allowing for proper exhaust installation. See “Venting Requirements.”
- A separate 15 or 20 amp circuit for a gas dryer or 30 amp circuit for an electric dryer.
- If using power supply cord, a grounded electrical outlet located within 2 ft. (610 mm) of either side of dryer. See “Electrical Requirements.”
- Floor must support dryer weight of 200 lbs. (90.7 kg). Also consider weight of companion appliance.
- Cold water faucets located within 4 ft. (1.2 m) of the water fill valves, and water pressure of 20–120 psi (138–827 kPa). You may use your washer’s water supply by purchasing the necessary parts noted in “Parts needed.”
- Level floor with maximum slope of 1" (25 mm) under entire dryer. If slope is greater than 1" (25 mm), install Extended Dryer Feet Kit, Part Number 279810. If not level, clothes may not tumble properly and automatic sensor cycles may not operate correctly.
- For garage installation, place dryer at least 18" (460 mm) above floor. If using a pedestal, you will need 18" (460 mm) to bottom of dryer.
- The dryer must not be installed or stored in an area where it will be exposed to water and/or weather.

IMPORTANT: Do not operate, install, or store dryer where it will be exposed to water, weather, or at temperatures below 40°F (4°C). Lower temperatures may cause dryer not to shut off at end of automatic sensor cycles, resulting in longer drying times.

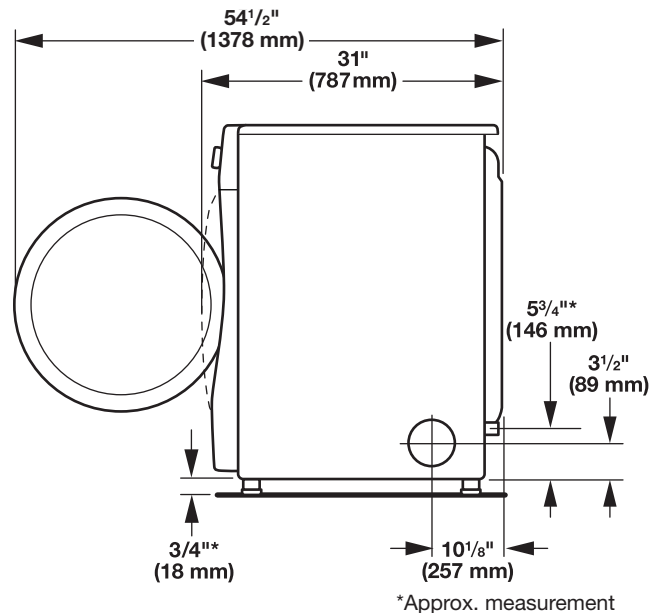
DRYER DIMENSIONS

Front view:

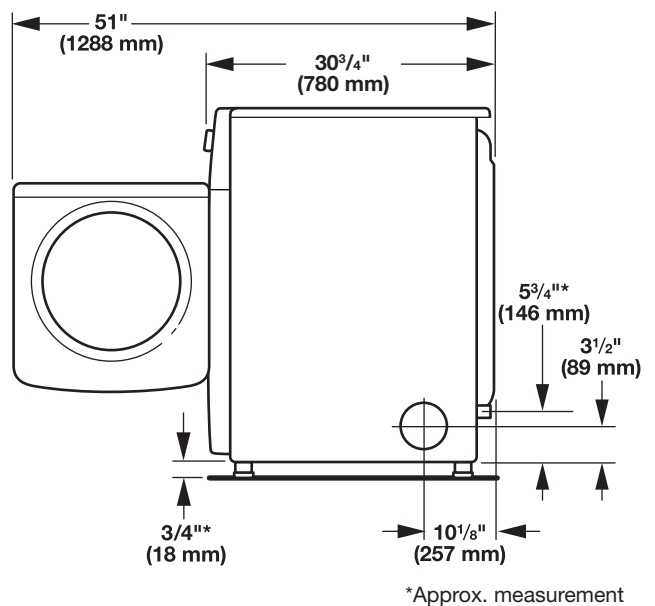


Side view:

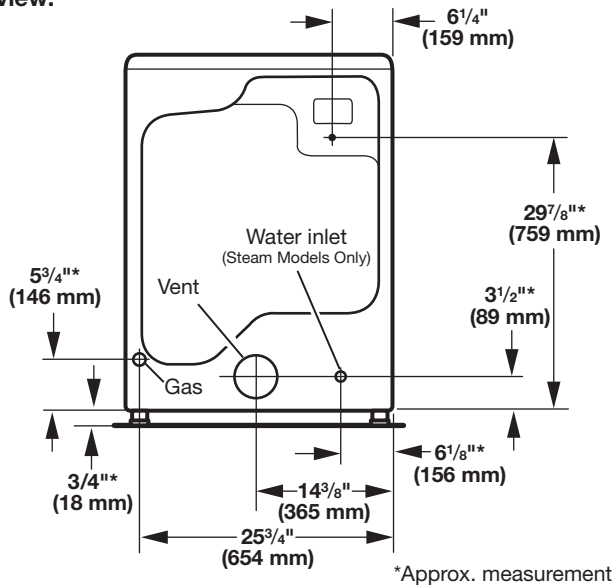
Whirlpool Models



Maytag Models



Back view:



*Approx. measurement

NOTE: Most installations require a minimum of 5" (127 mm) clearance behind dryer for exhaust vent with elbow. See "Venting Requirements."

Installation Clearances

For each arrangement, consider allowing more space for ease of installation and servicing, spacing for companion appliances, and clearances for walls, doors, and floor moldings. Space must be large enough to allow door to fully open. Add spacing on all sides of dryer to reduce noise transfer. If a closet door or louvered door is installed, top and bottom air openings in door are required.

Check code requirements. Some codes limit, or do not permit, installation of the dryer in garages, closets, mobile homes, or sleeping quarters. Contact your local building inspector.

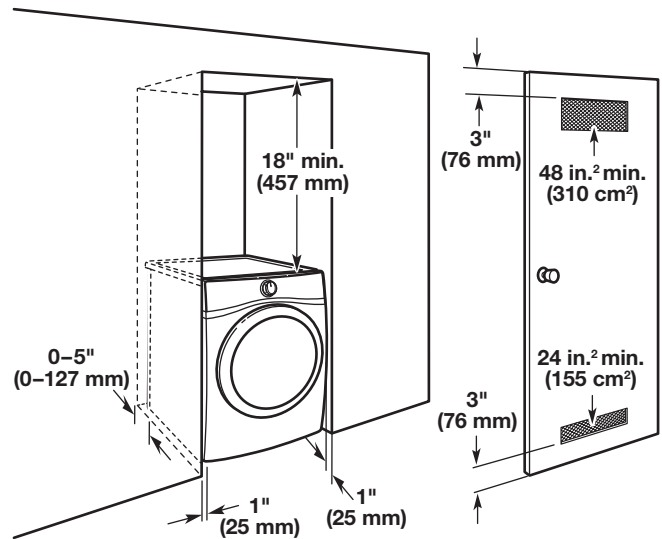
NOTE: No other fuel-burning appliance can be installed in the same closet as a dryer.

Installation spacing for recessed area or closet installation

All dimensions show recommended and minimum spacing allowed.

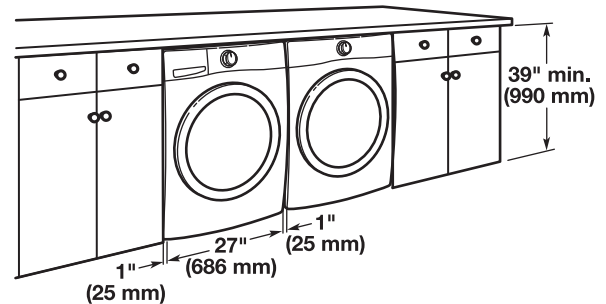
- Additional spacing should be considered for ease of installation and servicing.
- Additional clearances might be required for wall, door, floor moldings, dryer venting, and gas line.
- Additional spacing should be considered on all sides of the dryer to reduce noise transfer.
- For closet installation with a door, minimum ventilation openings in the top and bottom of the door are required. Louvered doors with equivalent ventilation openings are acceptable.
- Companion appliance spacing should also be considered.

Recommended installation clearances (dryer only):



0" (0 mm) rear spacing is allowed for straight back venting only. For steam models only, inlet hose must not be kinked.

Custom under-counter installation:



Mobile home – Additional installation requirements:

This dryer is suitable for mobile home installations. The installation must conform to the Manufactured Home Construction and Safety Standard, Title 24 CFR, Part 3280 (formerly the Federal Standard for Mobile home construction and Safety, Title 24, HUD Part 280) or Standard CAN/CSA-Z240 MH.

Mobile home installations require:

- Metal exhaust system hardware, available for purchase from your dealer. For further information, see "Assistance or Service" in your Use and Care Guide.
- Special provisions must be made in mobile homes to introduce outside air into dryer. Openings (such as a nearby window) should be at least twice as large as dryer exhaust opening.

For mobile home installation of gas dryers:

- Mobile Home Installation Hold-down Kit Part Number 346764 is available to order. For further information, see "Assistance or Service" in your Use and Care Guide.

ELECTRIC DRYER POWER HOOKUP – CANADA ONLY

ELECTRICAL REQUIREMENTS

WARNING



Electrical Shock Hazard

Plug into a grounded 4 prong outlet.

Failure to do so can result in death or electrical shock.

It is your responsibility:

- To contact a qualified electrical installer.
- To be sure that the electrical connection is adequate and in conformance with Canadian Electrical Code, C22.1 – latest edition and all local codes. A copy of above codes standard may be obtained from: Canadian Standards Association, 178 Rexdale Blvd., Toronto, ON M9W 1R3 CANADA.
- To supply the required 4-wire, single-phase, 120/240 volt, 60 Hz, AC-only electrical supply on a separate 30 amp circuit, fused on both sides of the line. A time-delay fuse or circuit breaker is recommended. Connect to an individual branch circuit.
- This dryer is equipped with a UL Listed and/or CSA International Certified Power Cord intended to be plugged into a standard 14-30R wall receptacle. The cord is 5 ft. (1.52 m) long. Be sure wall receptacle is within reach of dryer's final location.



4-wire receptacle
(14-30R)

If using a replacement power supply cord, it is recommended that you use Power Supply Cord Replacement Part Number 8529008. For further information, please reference service numbers located in the “Assistance or Service” section of your Use and Care Guide.

GROUNDING INSTRUCTIONS

- For a grounded, cord-connected dryer:
This dryer must be grounded. In the event of malfunction or breakdown, grounding will reduce the risk of electric shock by providing a path of least resistance for electric current. This dryer is equipped with a cord having an equipment-grounding conductor and a grounding plug. The plug must be plugged into an appropriate outlet that is properly installed and grounded in accordance with all local codes and ordinances.

WARNING: Improper connection of the equipment-grounding conductor can result in a risk of electric shock. Check with a qualified electrician or service representative or personnel if you are in doubt as to whether the dryer is properly grounded. Do not modify the plug provided with the dryer: if it will not fit the outlet, have a proper outlet installed by a qualified electrician.

SAVE THESE INSTRUCTIONS

GAS DRYER POWER HOOKUP

ELECTRICAL REQUIREMENTS

WARNING



Electrical Shock Hazard

Plug into a grounded 3 prong outlet.

Do not remove ground prong.

Do not use an adapter.

Do not use an extension cord.

Failure to follow these instructions can result in death, fire, or electrical shock.

- 120 volt, 60 Hz, AC-only, 15 or 20 amp fused electrical supply is required. A time-delay fuse or circuit breaker is recommended. It is also recommended that a separate circuit serving only this dryer be provided.

GROUNDING INSTRUCTIONS

- For a grounded, cord-connected dryer:
This dryer must be grounded. In the event of malfunction or breakdown, grounding will reduce the risk of electric shock by providing a path of least resistance for electric current. This dryer is equipped with a cord having an equipment-grounding conductor and a grounding plug. The plug must be plugged into an appropriate outlet that is properly installed and grounded in accordance with all local codes and ordinances.

WARNING: Improper connection of the equipment-grounding conductor can result in a risk of electric shock. Check with a qualified electrician or service representative or personnel if you are in doubt as to whether the dryer is properly grounded. Do not modify the plug provided with the dryer: if it will not fit the outlet, have a proper outlet installed by a qualified electrician.

SAVE THESE INSTRUCTIONS