

Sales Selection Sheet
Checklist

1 of 48

LOT 7128 Model: 30-2817 MOD 1 CRN A The Laurelgate

PURCHASERS: THARMATHAS KUNARATNAM/

VENDOR: Heathwood Homes (Whitby) Limited

MOD 1 CRN
OPTIONAL PANTRY IN KITCHEN

- COLD CELLAR
- DECK

UPGRADED / MODIFIED ELEVATION

- CORNER UPGRADE
- REAR UPGRADE

CEILING UPGRADE - SMOOTH

- MAIN FLOOR (STD)
- SECOND FLOOR WITH RESILIENCE CHANEL
- LOWER LEVEL

ADDITIONAL ROUGH-INS

- 200 AMP SERVICE (STD)
- WET BAR ROUGH-IN
- HUMIDIFIER (STD)
- AIR CONDITIONING (STD)

GAS ROUGH-IN

- STOVE
- DRYER
- BBQ
- ADDITIONAL GAS FIREPLACE

KITCHEN HOODFAN VENTING SIZE

- 6 IN ROUND DUCT (STD WITH APPLIANCE PACKAGE)
- 7 IN ROUND DUCT

FULL LOWER LEVEL STAIRS	All Oak
UPPER LOWER LEVEL STAIRS	N/A
LOWER LOWER LEVEL STAIRS	All Oak
MAIN STAIRS	All Oak

DEC 13/24 *Signature on file* DEC 13/24 IRIT SALGM
Date Purchaser: Date Decor Consultant:

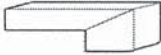
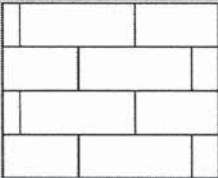
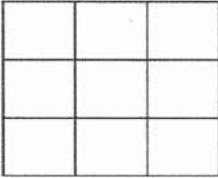
_____-12-13 2024 *mRow*
Date Purchaser: Date Heathwood Homes (Whitby) Limited

Locked Date: Approved

THARMATHAS KUNARATNAM/
 Project: Country Lane
 Unit: 7128, Phase: 7
 Model: 30-2817 MOD 1 CRN A The Laurelgate

Created: 8/2/2024 09:23:32
 Locked:
 Closed:

Kitchen

Cabinet Colour/Style	8361	Viking II-MANCHESTER-POPPY SEED-OAK ***STD***	
Island Cabinet Colour/Style	8361	Viking II-MANCHESTER-POPPY SEED-OAK ***STD***	
Cabinet Hardware	7676	12843-HARDWARE ***STD***	
Countertop	9811	Group 1-Quartz-Caesarstone-ROCK SALT # 7601-3/4 inch B/U MITERED EDGE ***STD in KITCHEN ONLY***	
Island Countertop	9811	Group 1-Quartz-Caesarstone-ROCK SALT # 7601-3/4 inch B/U MITERED EDGE ***STD in KITCHEN ONLY***	
Countertop Edge	4005	DOUBLE MITRE 1 1/2 INCH ***UPG***	
Crumb Vac Colour	9483	Vacuum-Crumb Vac (Dust Pan)-Black	
Sink	9488	Plumbing-KINDRED Kitchen Sink Collection - Reginox NS1930 U/9-Single Bowl Undermount Sink (or equivalent)-Stainless Steel	PG 22
HoodFan	8894	SCB51430-CYCLONE 30 inch CANOPY CHIMNEY HOODFAN-STAINLESS STEEL *****	PG 32-33
Opt. Backsplash	5721	QT.CD.ARW.0306.BR-Colour and Dimension Bright-Arctic White-3 x 6 ***1***	
Opt. Backsplash Grout	9836	Grout-Eggshell #5220 ***STD***	
Opt. Backsplash Tile Pattern	3060	HORIZONTAL BRICK ***STD***	
Flooring	9071	GE.BY.AZR.1313 New Byzantine Azzuro 13x13 ***STD***	
Floor Tile Grout	9837	Grout-Warm Grey #5093 ***STD***	
Floor Tile Pattern	3000	STANDARD SQUARE ***STD***	

- Purchasers have been advised: standard fridge opening is a minimum 37 3/8 x 73 3/8 inches. Ice Waterline Rough-In is included.

- Standard stove opening is 30 inches and standard dishwasher opening is 24 inches. Any gas stove will require backsplash or stainless steel backing to avoid fire hazards.

- Purchasers acknowledge: Heathwood Homes and its contractors will not be responsible for any kitchen cabinet changes due to appliances dimension changes after sign-off.

Comment

Foyer

Flooring	9071	GE.BY.AZR.1313 New Byzantine Azzuro 13x13 ***STD***	
Floor Tile Grout	9837	Grout-Warm Grey #5093 ***STD***	
Floor Tile Pattern	3000	STANDARD SQUARE ***STD***	

h.t

Customer Colours

3 of 48⁰⁴

THARMATHAS KUNARATNAM/
 Project: Country Lane
 Unit: 7128, Phase: 7
 Model: 30-2817 MOD 1 CRN A The Laurelgate

Created: 8/2/2024 09:23:32
 Locked:
 Closed:

Comment

Powder Room

Flooring 9071 GE.BY.AZR.1313 New Byzantine Azzuro 13x13 ***STD***
 Floor Tile Grout 9837 Grout-Warm Grey #5093 ***STD***
 Floor Tile Pattern 3000 STANDARD SQUARE ***STD***

Plumbing Fixture (Colour) 1737 Plumbing Fixtures-WHITE ***STD***

Comment

Mud Room

Floor Tile 9071 GE.BY.AZR.1313 New Byzantine Azzuro 13x13 ***STD***
 Floor Tile Grout 9837 Grout-Warm Grey #5093 ***STD***
 Floor Tile Pattern 3000 STANDARD SQUARE ***STD***

Comment

Dining Room

Flooring 9011 Red Oak PEARL-Vintage Red Oak Sculpted-PEWTER-3/4 inch X 5 inch ***STD***

Comment

Great Room

Flooring 9011 Red Oak PEARL-Vintage Red Oak Sculpted-PEWTER-3/4 inch X 5 inch ***STD***

Comment

12-7

Great Room Fireplace

Type 8869 Majestic MERC32 ***STD***
 Mantle 1435 NF 15-Paint Grade Mantle- Flat (Per Plan)-WHITE

Customer Colours

THARMATHAS KUNARATNAM/
 Project: Country Lane
 Unit: 7128, Phase: 7
 Model: 30-2817 MOD 1 CRN A The Laurelgate

Created: 8/2/2024 09:23:32
 Locked:
 Closed:

		STD
Surround (Opt.)	8874	3 pc- 4 inch Marble Surround-Grigio Carnico ***STD***

- Purchasers have been advised: heat from the FP can damage TV above a FP and items placed on mantle.

- Heathwood and its contractors will not be liable for any damage on items placed and / or installed above a FP after closing.

Comment

Main Hall

Flooring	9011	Red Oak PEARL-Vintage Red Oak Sculpted-PEWTER-3/4 inch X 5 inch ***STD***
----------	------	---

Comment

Library

Flooring	9011	Red Oak PEARL-Vintage Red Oak Sculpted-PEWTER-3/4 inch X 5 inch ***STD***
----------	------	---

Comment

Upper Hall

Flooring	9011	Red Oak PEARL-Vintage Red Oak Sculpted-PEWTER-3/4 inch X 5 inch ***STD***
----------	------	---

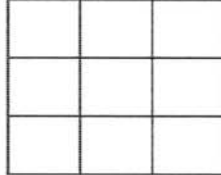
Comment

Laundry Room

Floor Tile	9255	TR.SP.WHITE.1313 SEMPRE White Matte 13 x 13 ***STD***
------------	------	---

Floor Tile Grout	9837	Grout-Warm Grey #5093 ***STD***
------------------	------	---------------------------------

Floor Tile Pattern	3000	STANDARD SQUARE ***STD***
--------------------	------	---------------------------



Opt. Cabinet Colour/Style - Uppers	1111	N/A *****
------------------------------------	------	-----------

Opt. Cabinet Hardware - Uppers	1111	N/A *****
--------------------------------	------	-----------

Opt. Countertop	1111	N/A *****
-----------------	------	-----------

Opt. Countertop Edge	1111	N/A *****
----------------------	------	-----------

Comment

Principal Suite and Walk-in Closets

Customer Colours

THARMATHAS KUNARATNAM/
 Project: Country Lane
 Unit: 7128, Phase: 7
 Model: 30-2817 MOD 1 CRN A The Laurelgate

Created: 8/2/2024 09:23:32

Locked:

Closed:

Flooring 9507 DY 89418-MINOTAUR-BLACK ICE-40 oz Poly ***STD***

Comment

Bedroom 2

Flooring 9507 DY 89418-MINOTAUR-BLACK ICE-40 oz Poly ***STD***

Comment

Bedroom 3

Flooring 9507 DY 89418-MINOTAUR-BLACK ICE-40 oz Poly ***STD***

Comment

Bedroom 4

Flooring 9507 DY 89418-MINOTAUR-BLACK ICE-40 oz Poly ***STD***

Comment

Principal Ensuite

Cabinet Colour/Style 9168 Viking III-CHARLESTON-MOONLIGHT-3DL ***STD***

Cabinet Hardware 7676 12843-HARDWARE ***STD***

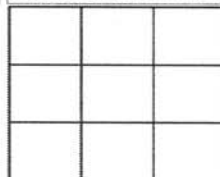
Countertop 8797 6697-46-Countertop-ARGENTO ROMANO ETCHINGS FINISH-Formica ***STD***

Countertop Edge 1111 N/A *****

Floor Tile 9255 TR.SP.WHITE.1313 SEMPRE White Matte 13 x 13 ***STD***

Floor Tile Grout 9837 Grout-Warm Grey #5093 ***STD***

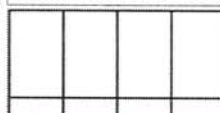
Floor Tile Pattern 3000 STANDARD SQUARE ***STD***



Shower Wall Tile 9020 QT.WV.WHT.0810-Weave-White-8 x 10 ***STD***

Shower Wall Tile Grout 9836 Grout-Eggshell #5220 ***STD***

Shower Wall Tile Pattern 3090 VERTICAL STACKED ***STD***



KIT

THARMATHAS KUNARATNAM/
 Project: Country Lane
 Unit: 7128, Phase: 7
 Model: 30-2817 MOD 1 CRN A The Laurelgate

Created: 8/2/2024 09:23:32

Locked:

Closed:

Shower Floor Tile	8661	OD.ON.SWT.0202.MT.N-Ontario Series Mosaic-Snow White Matte-2 x 2 ***STD***	
Shower Floor Tile Grout	9836	Grout-Eggshell #5220 ***STD***	
Shower Floor Tile Pattern	3000	STANDARD SQUARE ***STD***	
Shower Jamb(s) and Sill(s)	8923	Shower Jamb / Sill-Thassos White ***STD***	
Plumbing Fixture (colour)	1737	Plumbing Fixtures-WHITE ***STD***	
Comment			

Shared Ensuite

Cabinet Colour/Style	9167	Viking III-CHARLESTON-RAIN CLOUD-3DL ***STD***
Cabinet Hardware	7676	12843-HARDWARE ***STD***
Countertop	8805	4988K-07-Countertop-MERCURY VESTA-Wilsonart ***STD***
Countertop Edge	1111	N/A *****
Floor Tile	9255	TR.SP.WHITE.1313 SEMPRE White Matte 13 x 13 ***STD***
Floor Tile Grout	9837	Grout-Warm Grey #5093 ***STD***
Floor Tile Pattern	3000	STANDARD SQUARE ***STD***
Shower Wall Tile	5411	QT.SP.WHT.0810-Splendour-White-8 inch x 10 inch ***STD***
Shower Wall Tile Grout	9836	Grout-Eggshell #5220 ***STD***
Shower Wall Tile Pattern	3090	VERTICAL STACKED ***STD***
Shower Floor Tile	8661	OD.ON.SWT.0202.MT.N-Ontario Series Mosaic-Snow White Matte-2 x 2 ***STD***
Shower Floor Tile Grout	9836	Grout-Eggshell #5220 ***STD***
Shower Floor Tile Pattern	3000	STANDARD SQUARE ***STD***
Shower Jamb(s) and Sill(s)	8923	Shower Jamb / Sill-Thassos White ***STD***
Plumbing Fixture (colour)	1737	Plumbing Fixtures-WHITE ***STD***

127

Customer Colours

THARMATHAS KUNARATNAM/
 Project: Country Lane
 Unit: 7128, Phase: 7
 Model: 30-2817 MOD 1 CRN A The Laurelgate

Created: 8/2/2024 09:23:32
 Locked:
 Closed:

Comment

Ensuite 2

Cabinet Colour/Style Viking III-CHARLESTON-ORCHID-3DL ***STD***

Cabinet Hardware 12843-HARDWARE ***STD***

Countertop P-344 LM-Countertop-INUKSHUK GREY-Arborite ***STD***

Countertop Edge N/A *****

Floor Tile TR.SP.WHITE.1313 SEMPRE White Matte 13 x 13 ***STD***

Floor Tile Grout Grout-Warm Grey #5093 ***STD***

Floor Tile Pattern STANDARD SQUARE ***STD***

Wall Tile QT.WV.WHT.0810-Weave-White-8 x 10 ***STD***

Wall Tile Grout Grout-Eggshell #5220 ***STD***

Wall Tile Pattern VERTICAL STACKED ***STD***

Opt. Shower Floor Tile N/A *****

Opt. Shower Floor Tile Grout N/A *****

Opt. Shower Floor Tile Pattern N/A *****

Opt. Shower Jamb(s) and Sill(s) N/A *****

Plumbing Fixture (colour) Plumbing Fixtures-WHITE ***STD***

Comment

Lower Level Family Room

Flooring DY 89418-MINOTAUR-BLACK ICE-40 oz Poly ***STD***

Comment

K-T

Lower Level bedroom

Customer Colours

THARMATHAS KUNARATNAM/
 Project: Country Lane
 Unit: 7128, Phase: 7
 Model: 30-2817 MOD 1 CRN A The Laurelgate

Created: 8/2/2024 09:23:32
 Locked:
 Closed:

Flooring 9507 DY 89418-MINOTAUR-BLACK ICE-40 oz Poly ***STD***

Comment REC ROOM FIRE STD. ELECTRICAL PLACE -DUPLEX PF 33 NF 15 PAINT GRADE MANTLE WHITE, NO SURROUND

PG 21

Lower Level Bathroom

Cabinet Colour/Style 9166 Viking III-CHARLESTON-ORCHID-3DL ***STD***

Cabinet Hardware 7676 12843-HARDWARE ***STD***

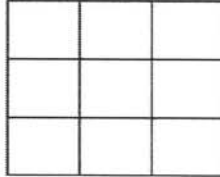
Countertop 8796 6698-46-Countertop-PALOMA POLAR ETCHINGS FINISH-Formica ***STD***

Countertop Edge 1111 N/A *****

Floor Tile 8262 TR.ST.GRY.1313-Serpentine-Grey-13x13 ***STD***

Floor Tile Grout 9839 Grout-Silver #5027 ***STD***

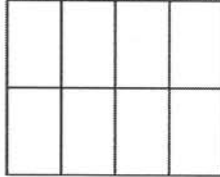
Floor Tile Pattern 3000 STANDARD SQUARE ***STD***



Shower Wall Tile 8258 TR.ST.GRY.0810-Serpentine-Grey-8 x 10 ***STD***

Shower Wall Tile Grout 9839 Grout-Silver #5027 ***UPG***

Shower Wall Tile Pattern 3090 VERTICAL STACKED ***STD***



Shower Floor Tile 1111 N/A *****

Shower Floor Tile Grout 1111 N/A *****

Shower Floor Tile Pattern 1111 N/A *****

Shower Jamb(s) and Sill(s) 1111 N/A *****

Plumbing Fixture (colour) 1737 Plumbing Fixtures-WHITE ***STD***

Comment

Main Stairs

Type 1712 Oak Stairs ***STD***

Colour 7922 Eclipse (Pewter) STAIN TO COMPLIMENT HARDWOOD AND WILL VARY FROM FLOORING ***99***

Handrail/Pickets/Posts Type 8148 Single Collar Alt. Plain w/ Shoes with 3 1/2 Square/Cap Post(s)-BLACK ***STD***

Handwritten mark

Customer Colours

THARMATHAS KUNARATNAM/
 Project: Country Lane
 Unit: 7128, Phase: 7
 Model: 30-2817 MOD 1 CRN A The Laurelgate

Created: 8/2/2024 09:23:32
 Locked:
 Closed:

Handrail/Pickets/Posts Colour	7761	Oak Grade-Stain handrail,stringers,treads,risers,nosingpost
Custom Stain/Paint	1111	N/A *****
Landing(s)	9011	Red Oak PEARL-Vintage Red Oak Sculpted-PEWTER-3/4 inch X 5 inch ****STD***
Opt. Carpet Runner	1111	N/A *****
Comment		

Lower Level Stairs

Type	1712	Oak Stairs ***STD***
Colour	7922	Eclipse (Pewter) STAIN TO COMPLIMENT HARDWOOD AND WILL VARY FROM FLOORING ***99***
Handrail/Pickets/Posts Type	9119	Handrail only on closed walls (one or two sides per building code) ***STD***
Handrail/Pickets/Posts Colour	7761	Oak Grade-Stain handrail,stringers,treads,risers,nosingpost
Custom Stain/Paint	1111	N/A *****
Landing(s)	9011	Red Oak PEARL-Vintage Red Oak Sculpted-PEWTER-3/4 inch X 5 inch ****STD***
Carpet Runner	1111	N/A *****
Comment		

Throughout

Switches and Plug	5796	Decora White Switches and Plugs ***STD***
Thresholds	2232	Metal Thresholds ***STD***
Underpad	1079	500 Series-Underpad ***STD***
Trim Size	8704	5 1/4 inch Baseboard and 3 inch Integrated Backbend Casings ***UPG*** / ***STD in Singles***
Trim - Paint Colour	1716	Trim-WHITE ***STD***
Walls - Paint Colour	1717	22-Wall-WARM GREY ***STD***
Comment		

Purchaser: Tharmathas Kunaratnam Oct-09-2024 [Signature] Oct 9, 2024
 THARMATHAS KUNARATNAM Date Decor Consultant Date

Purchaser: _____ _____ [Signature] -12- 06 2024
 _____ Date Country Lane Date Approved



CONSTRUCTION SUMMARY

Lot: 7128

Model: 30-2817 MOD 1 CRN A The Laurelgate

Project/Phase: Country Lane / 7

Offer Worksheet	Supply and Install Central Air Conditioning Note:
Offer Worksheet	Two Men and a Truck Credit of One Thousand Dollars (\$1000.00) for moving services only, Into your Heathwood Home (No Cash Value) The Credit is Non-Transferable and cannot be combined with any other offer. - Singles Note:
Offer Worksheet	Classic Collection: Five Appliances: SS Fridge, Stove, Dishwasher: White Front Loader Washer/Dryer (Singles) Note:
Offer Worksheet	The Purchaser(s) acknowledge that they have NOT been referred by an existing Heathwood Homeowner and therefor are not entitled to a referral fee under Heathwood Homes Referral program. Note:
Offer Worksheet	This is a Deck Grading Condition that includes a deck with steps to grade. Note:
Offer Worksheet	ADDED BY AMENDMENT - GREAT ROOM FIREPLACE TO BE BOXXED ABOVE LIKE IN LOT 638, 76 DEER RIDGE CRES Note:



CONSTRUCTION SUMMARY

Lot: 7128
Model: 30-2817 MOD 1 CRN A The Laurelgate
Project/Phase: Country Lane / 7

ADMIN FEE

Invoice Qty. Description

CABINETRY

Invoice Qty. Description

1639 700,020 04Apr25	1.0	KITCHEN/BREAKFAST - CABINETRY - OPT PANTRY-VIKING II/III-UPG SEE SKETCH # 3 DRYWAL-Notify; FRAMING-Modify Bulkhead; PAINTING-Notify
1639 714,447 04Apr25	1.0	SHARED BATHROOM - CABINETRY - 13D-VANITY TOP DRAWER/LOWER DRAWER (PER DRAWER) (METABOX STANDARD LEVELS 1-7, SOFT-CLOSE TANDEMBOX STANDARD LEVELS 8-13)-VIKING 1 WIDE TOP DRAWER TO BE INSTALLED BETWEEN THE SINKS, SEE SKETCH # 4
1639 714,484 04Apr25	3.0	KITCHEN - CABINETRY - 11J-LIGHT VALANCE TRIM ONLY (8 FT LENGTH PER PC) (FOR CLARIFICATION OF STYLES SEE MOULDING MATRIX) (LIGHT VALANCE IS APPROX. 5CM [2 IN] HIGH) (PLEASE ENSURE LIGHT FIXTURES USED WILL BE CONCEALED BY THE VALANCE) -VIKING
1639 714,423 04Apr25	1.0	KITCHEN - CABINETRY - 15B-45CM WIDE PULL-OUT DOOR BASE CABINET WASTE/RECYCLE CENTRE WITH SOFT-CLOSE ([2] 35L BINS) (AVAILABLE ONLY WITH 45CM WIDE CABINET) -VIKING INCLUDING TOP DRAWER LOCATE BESIDE STOVE SEE SKETCH # 3
1639 714,474 04Apr25	1.0	KITCHEN - CABINETRY - 34H-BASE CABINET FOR BUILT-IN MICROWAVE/SMALL APPLIANCE WITH TRIM KIT WITH DRAWER BELOW (NOT AVAILABLE FOR PANASONIC TRIM KIT NN-TK714SS) (SUPPLY SPECS) (NOT AVAILABLE IN SOME LAMINATES)-VIKING SKETCH # 3 SEE MICROWAVE DRAWER SPECS
1639 714,404 04Apr25	1.0	KITCHEN - CABINETRY - 10A-UPPER ANGLE CORNER PER UNIT-VIKING SKETCH # 2 AND 3 DRYWAL-Notify; FRAMING-Modify Bulkhead; PAINTING-Notify

CERAMICS

Invoice Qty. Description

1639 708,477 04Apr25	1.0	Basement Bath - CERAMIC - BASEMENT BATH - WALL - GROUT - UPG
----------------------------	-----	--

DRYWALL

Invoice Qty. Description

1639 700,020 04Apr25 **	1.0	KITCHEN/BREAKFAST - CABINETRY - OPT PANTRY-VIKING II/III-UPG SEE SKETCH # 3 DRYWAL-Notify; FRAMING-Modify Bulkhead; PAINTING-Notify
1639 714,404 04Apr25 **	1.0	KITCHEN - CABINETRY - 10A-UPPER ANGLE CORNER PER UNIT-VIKING SKETCH # 2 AND 3 DRYWAL-Notify; FRAMING-Modify Bulkhead; PAINTING-Notify
1639 390,206 04Apr25 **	1.0	GREAT ROOM - FIREPLACE AND MANTLE - BUILT OUT WALL ABOVE FIREPLACE AS PER SCHEDULE E DRYWALL-notify; ELECTRICAL-notify; FRAMING-notify; HEATING/AIR CONDITIONING-notify; INTERIOR TRIM-notify; PAINTING-notify



CONSTRUCTION SUMMARY

Lot: 7128

Model: 30-2817 MOD 1 CRN A The Laurelgate

Project/Phase: Country Lane / 7

ELECTRICAL

Invoice	Qty.	Description
1639 390,528 04Apr25	2.0	THROUGHOUT - ELECTRICAL-RELOCATION OF SWITCHES/LIGHTS (MUST SPECIFY LOCATION)-NOTE: PLUGS CANNOT BE RELOCATED- MUST PURCHASE ADDITIONAL OUTLET. RELOCATE KITCHEN LIGHT TO BE ABOVE BREAKFAST BAR -USE STD. KITCHEN SWITCH RELOCATE HALLWAY (COFFERED CEILING) TO BE ABOVE OPENING OF UPPER HALLWAY- USE STD. 3 WAY SWITCH SEE SKETCH # 2 AND 4
1639 390,519 04Apr25	1.0	GREAT ROOM - ELECTRICAL-OUTLET-EXTRA WALL INTERIOR OUTLET ON EXISTING CIRCUIT (DOES NOT INCLUDE KITCHEN OUTLETS) TO BE INSTALLED ABOVE THE FIRE PLACE 70"+ FROM FLOOR SEE SKETCH # 2
1639 714,586 04Apr25	1.0	KITCHEN - ELECTRICAL-SUPPLY AND INSTALL RECESSED PLUG 120V 15AMP DIRECT LINE (ARC FAULT) TO BE USED FOR THE BASE MICROWAVE DRAWER SEE SKETCH # 3 AND SPECS
1639 714,608 04Apr25	1.0	THROUGHOUT - CLASSIC COLLECTION SCHEDULE A - Choice of 20 LED (5000K) pot lights in finished areas (Second Floor Potlight(s) Require Smooth Ceiling) DRYWALL-Drywall Ceiling cutouts for potlights FRAMING-Frame to accommodate potlights POT LIGHT , PART OF STD. 2X COFFERED CEILING (HALLWAY) USE EXISTING SWITCH, RELOCATE STD. LIGHT 1X UPPER BASEMENT STAIRS / 1X UPPER STAIR LANDING BOTH TO BE ON SEPARATE SWITCH 1X MAIN HALL WAY- USE STD. 3 WAY SWITCH 1X HALLWAY(CLOSET LAND) USE STD. 3 WAY SWITCH SKETCH # 2
1639 390,206 04Apr25 **	1.0	GREAT ROOM - FIREPLACE AND MANTLE - BUILT OUT WALL ABOVE FIREPLACE AS PER SCHEDULE E DRYWALL-notify; ELECTRICAL-notify; FRAMING-notify; HEATING/AIR CONDITIONING-notify; INTERIOR TRIM-notify; PAINTING-notify

FIREPLACE AND MANTLE

Invoice	Qty.	Description
1639 390,206 04Apr25	1.0	GREAT ROOM - FIREPLACE AND MANTLE - BUILT OUT WALL ABOVE FIREPLACE AS PER SCHEDULE E DRYWALL-notify; ELECTRICAL-notify; FRAMING-notify; HEATING/AIR CONDITIONING-notify; INTERIOR TRIM-notify; PAINTING-notify

FRAMING

Invoice	Qty.	Description
1639 700,020 04Apr25 **	1.0	KITCHEN/BREAKFAST - CABINERY - OPT PANTRY-VIKING II/III-UPG SEE SKETCH # 3 DRYWALL-Notify; FRAMING-Modify Bulkhead; PAINTING-Notify
1639 714,404 04Apr25 **	1.0	KITCHEN - CABINERY - 10A-UPPER ANGLE CORNER PER UNIT-VIKING SKETCH # 2 AND 3 DRYWALL-Notify; FRAMING-Modify Bulkhead; PAINTING-Notify
1639 390,206 04Apr25 **	1.0	GREAT ROOM - FIREPLACE AND MANTLE - BUILT OUT WALL ABOVE FIREPLACE AS PER SCHEDULE E DRYWALL-notify; ELECTRICAL-notify; FRAMING-notify; HEATING/AIR CONDITIONING-notify; INTERIOR TRIM-notify; PAINTING-notify



CONSTRUCTION SUMMARY

Lot: 7128
Model: 30-2817 MOD 1 CRN A The Laurelgate
Project/Phase: Country Lane / 7

HEATING / AIR CONDITIONING

Invoice	Qty.	Description
1639 390,206 04Apr25 **	1.0	GREAT ROOM - FIREPLACE AND MANTLE - BUILT OUT WALL ABOVE FIREPLACE AS PER SCHEDULE E DRYWALL-notify; ELECTRICAL-notify; FRAMING-notify; HEATING/AIR CONDITIONING-notify; INTERIOR TRIM-notify; PAINTING-notify

INTERIOR TRIM AND DOORS

Invoice	Qty.	Description
1639 390,206 04Apr25 **	1.0	GREAT ROOM - FIREPLACE AND MANTLE - BUILT OUT WALL ABOVE FIREPLACE AS PER SCHEDULE E DRYWALL-notify; ELECTRICAL-notify; FRAMING-notify; HEATING/AIR CONDITIONING-notify; INTERIOR TRIM-notify; PAINTING-notify

PAINTING

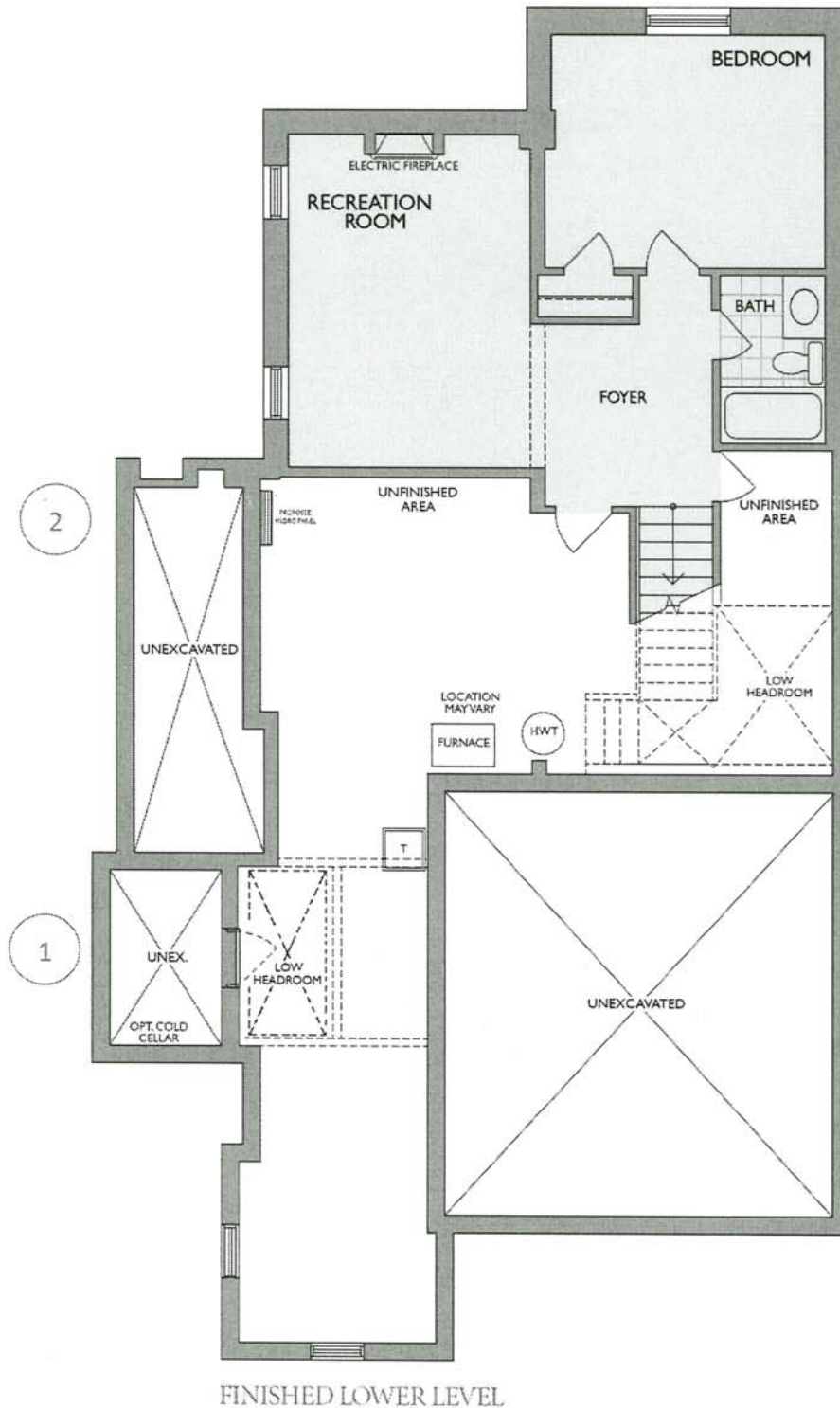
Invoice	Qty.	Description
1639 700,020 04Apr25 **	1.0	KITCHEN/BREAKFAST - CABINETS - OPT PANTRY-VIKING II/III-UPG SEE SKETCH # 3 DRYWALL-Notify; FRAMING-Modify Bulkhead; PAINTING-Notify
1639 714,404 04Apr25 **	1.0	KITCHEN - CABINETS - 10A-UPPER ANGLE CORNER PER UNIT-VIKING SKETCH # 2 AND 3 DRYWALL-Notify; FRAMING-Modify Bulkhead; PAINTING-Notify
1639 390,206 04Apr25 **	1.0	GREAT ROOM - FIREPLACE AND MANTLE - BUILT OUT WALL ABOVE FIREPLACE AS PER SCHEDULE E DRYWALL-notify; ELECTRICAL-notify; FRAMING-notify; HEATING/AIR CONDITIONING-notify; INTERIOR TRIM-notify; PAINTING-notify

30-2817 ELEV. A MOD 1



Sketch # 1

The Laurelgate



Changes made to match the Architectural plan:

- 1. Low headroom in the hall
- 2. Proposed hydro panel location

K.T

* Floor plan may vary due to grading conditions.

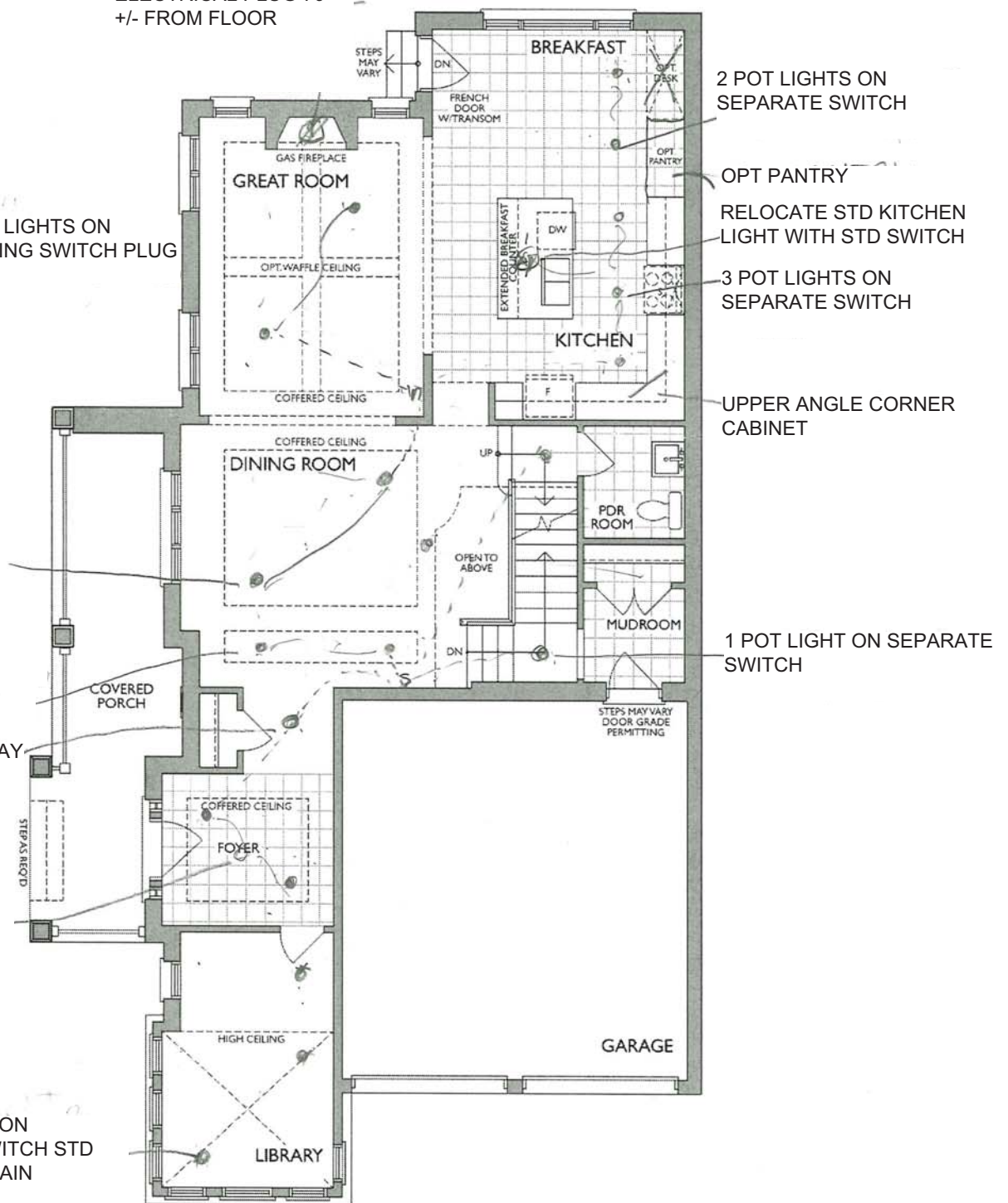
Sketch #2

30-2817 ELEV. A MOD 1



The Laurelgate

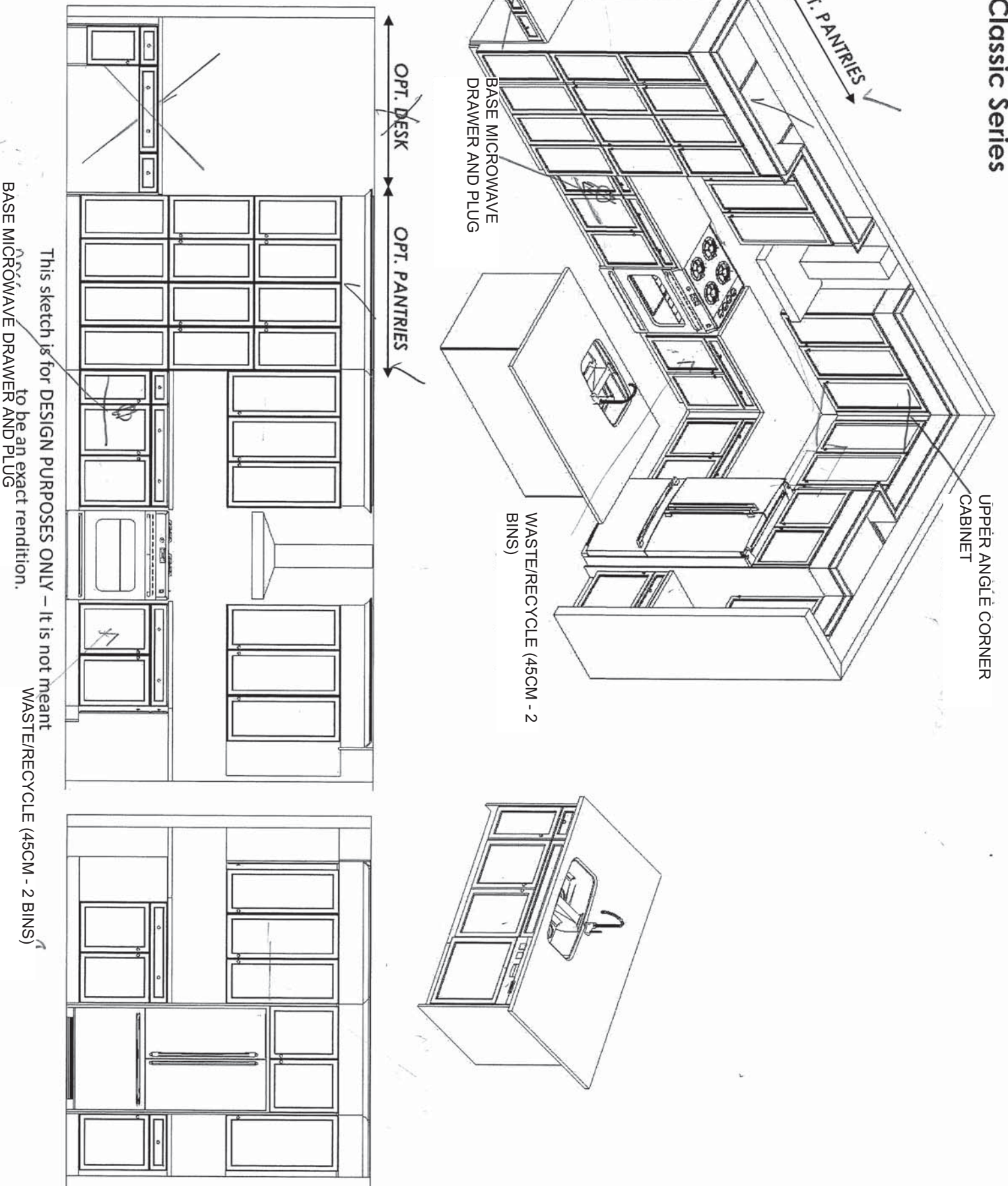
ELECTRICAL PLUG 70"
 +/- FROM FLOOR



MAIN LEVEL

12-7

* Floor plan may vary due to grading conditions.



F R E N D E L
 K I T C H E N S L I M I T E D
 1350 Shearman Drive, Mississauga, ON L4W 1C3

HEATHWOOD HOMES
 COUNTRY LANE, WHITBY
TRADITIONS
MODEL: 30-2817 (3605)
 THE CLASSIC SERIES

Standard Features:

- Tandem Box Soft Close Drawers
- Blumotion Hinges for Doors
- Crown Moulding & fascia
- Top Drawer Construction
- Deep Fridge Upper w/Deep Panel
- Tall upper Cabinets

Drawn By: Sepideh B
 Date: April 8, 2024
 Revision:
 Scale: Not To Scale

Approved By Builder:

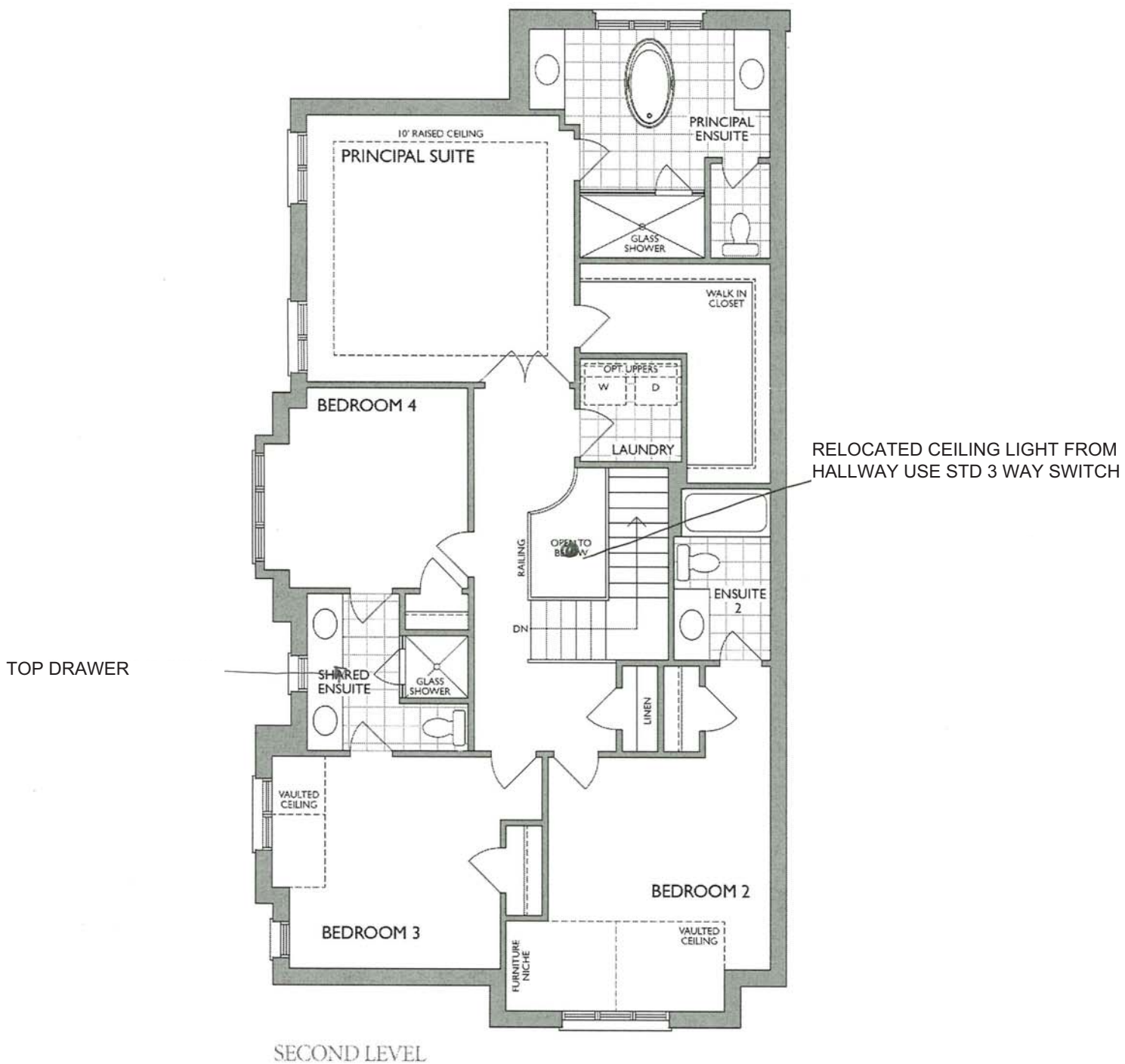
Date:

30-2817 ELEV. A MOD 1



The Laurelgate

Sketch # 4

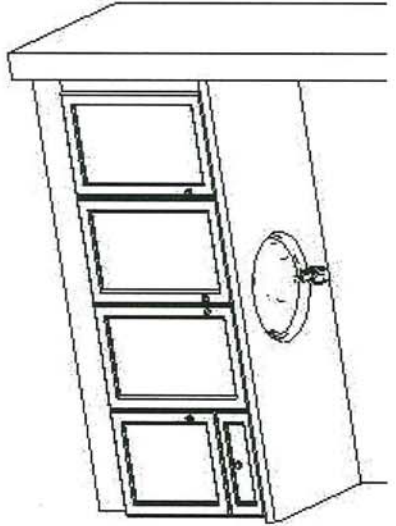


12.7

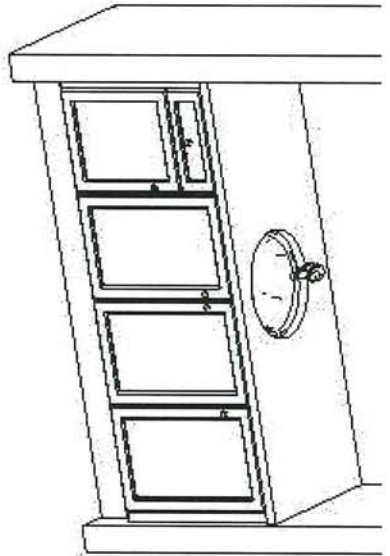
* Floor plan may vary due to grading conditions.

Sketch #5

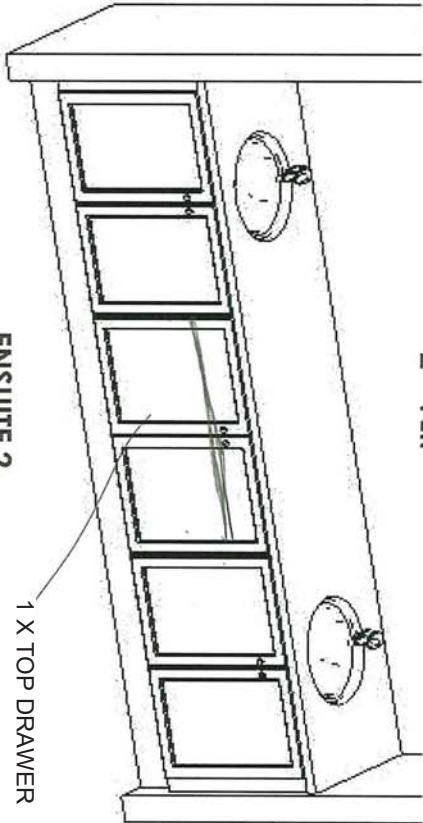
MASTER ENSUITE
2nd FLR



MAIN/SHARED
2nd FLR

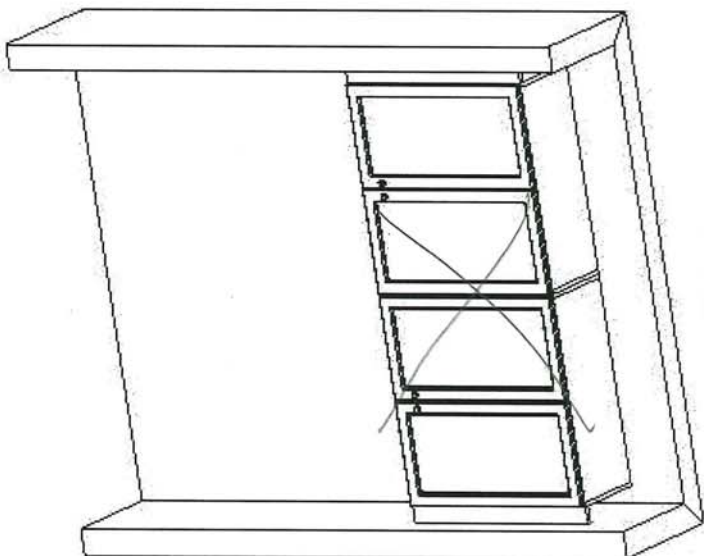


ENSUITE 2
2nd FLR

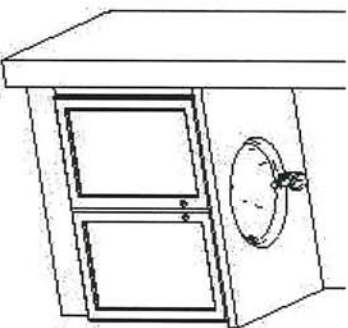


1 X TOP DRAWER

LAUNDRY
2nd FLR



BASEMENT



This sketch is for DESIGN PURPOSES ONLY – It is not meant to be an exact rendition.

Y-1



F R E N D E L
 K I T C H E N S L I M I T E D
 1300 Sheppard Drive, Markham, ON L3R 1C3

HEATHWOOD HOMES
 COUNTRY LANE, WHITBY
TRADITIONS
MODEL: 30-2817 (3605)
 THE CLASSIC SERIES

Standard Features:

- Blum Metabox Drawers
- Blum Clip On Hinges
- Top Drawer in Master Ensuite

Drawn By: Sepideh B
 Date: April 8, 2024
 Revision:
 Scale: Not To Scale

Approved By Builder:

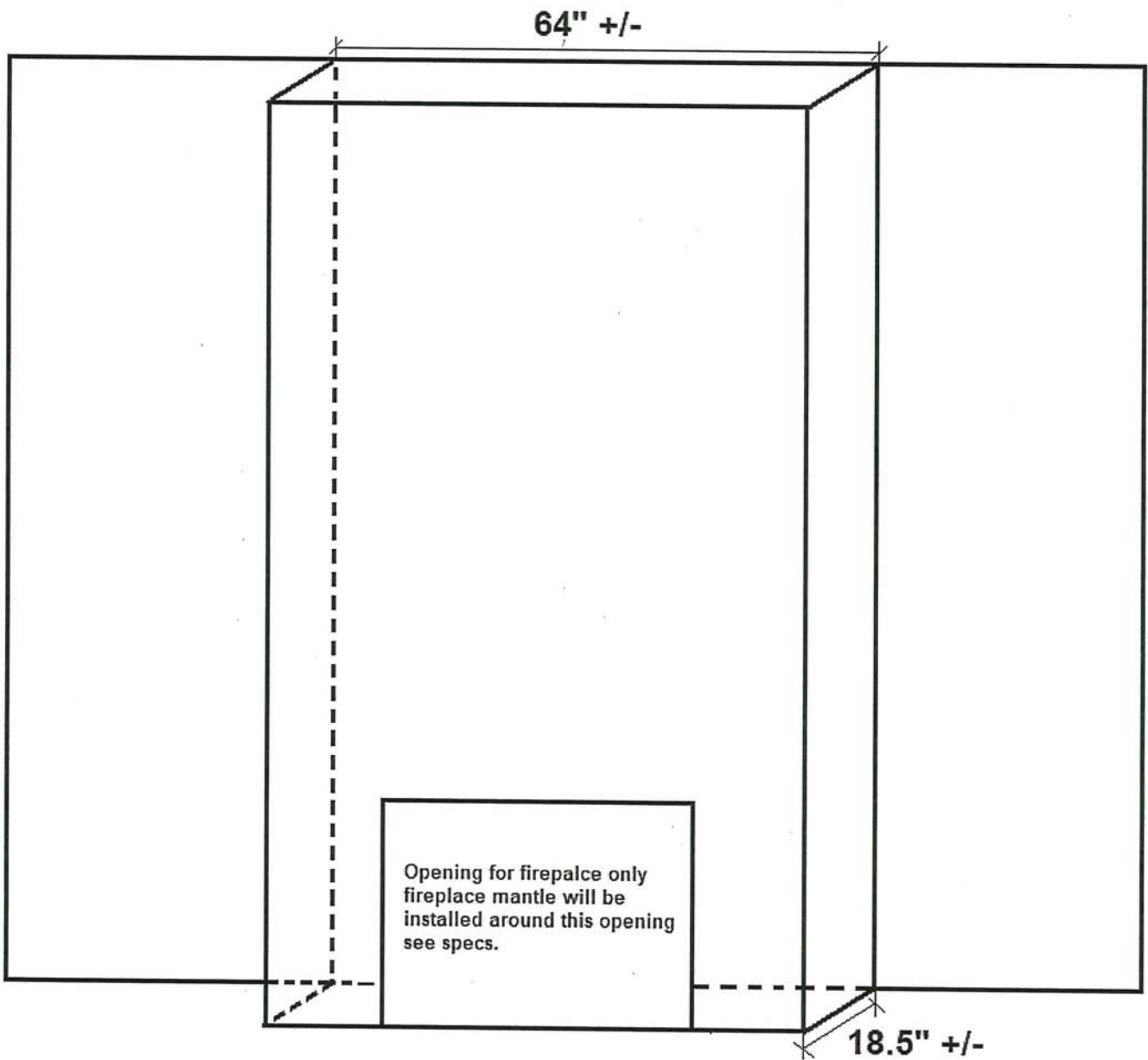
Date:

--	--

LO 7128 FIRE PLACE BOXED ABOVE

Sketch #6

GREAT ROOM BUILT OUT WALL AT FIREPLACE MANTLE



K.T

NOTE: **TOP DRAWER** (AND OR SOFT CLOSE OF THE DRAWER) IS **EXTRA CHARGE** AND CAN ONLY BE ADDED IF THE ENTIRE KITCHEN HAS TOP DRAWER THROUGHOUT

18" Wide cabinet : B17-45cm wide pull-out door base cabinet waste/recycle centre with soft-close ([2] 35L bins per unit) (available only with 45cm wide cabinet)



Euro-Cargo Recycling Center

Make your life easier with the Euro-Cargo sliding waste bin. Full-extension slides give you complete access to your bins. The integrated lid remains fixed inside your cabinet, and once the system is closed, the lid covers the bins to prevent odors from escaping.

Product # 3614100 [View list](#) >

Total Capacity 76 l

Interior Dimensions Required - Width 412 to 418 mm

Bin Quantity 2

Bin Capacity 2 x 38 liters

24" wide cabinet : B18-60cm wide pull-out door base cabinet waste/recycle centre with soft-close ([4] bins total, including [2] 35L) (available only with 60cm or 24" wide cabinet)



Euro-Cargo Recycling Center

Make your life easier with the Euro-Cargo sliding waste bin. Full-extension slides give you complete access to your bins. The integrated lid remains fixed inside your cabinet, and once the system is closed, the lid covers the bins to prevent odors from escaping.

Product # 361460100 [View list](#) >

Total Capacity 93 l

Interior Dimensions Required - Width 562 to 568 mm

Bin Quantity 4

Bin Capacity 2 x 38 L + 2 x 8.5 L

24-7

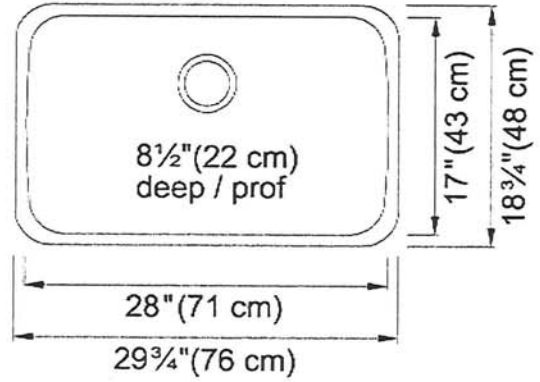
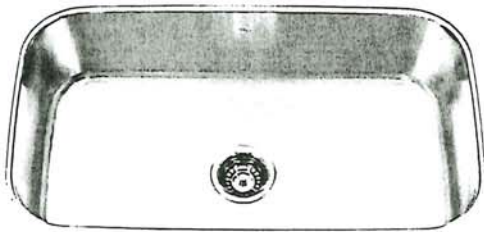


NEAS NF15 Mantel

12-7

Stainless Steel | 122.0264.716

FAMILY : Sinks | SERIES : Reginox | MODEL : NS1930U-9 | FINISH : Stainless Steel | INSTALLATION TYPE : Undermount



TECHNICAL DATA

Width overall	18 3/4"
Length overall	29 3/4"
Width of large bowl	17"
Length of large bowl	28"
Depth of large bowl	8 1/2"
Cabinet Size	36"
Number of Bowls	1
Waste Outlet Diameter	3 1/2"
Cut-Out Template	Yes
Faucet Hole	None
Type of Material	18 Gauge Stainless Steel
Surface Finish	SILK
Special feature	Rear Drain Waste Hole Location
Waste Kit Included	YES

K-T



Specifications

FAUCET DESCRIPTION

- Reflex™ pulldown system offers smooth operation, easy movement and secure docking
- Power Clean™ spray technology
- Metal construction with various finishes identified by suffix
- Quick connect installation
- Pulldown spray with 68" braided hose
- Flexible supply lines with 3/8" compression fittings
- High arc spout provides height and reach to fill or clean large pots while pulldown wand provides the maneuverability for cleaning or rinsing
- 360° rotating spout
- Faucet designed for handle to be mounted on right side only

OPERATION

- Lever style handle
- Temperature controlled by 100° arc of handle travel
- Operates with less than 5 lbs. of force
- Operates in stream or spray mode in the pullout or retracted position

FLOW

- Flow is limited to 1.5 gpm (5.7 L/min) max at 60 psi

CARTRIDGE

- 1255™ Duralast™ cartridge

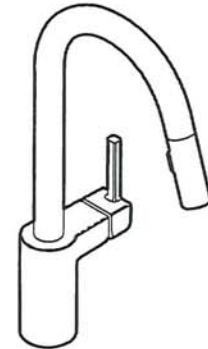
STANDARDS

- Third party certified to IAPMO Green, ASME A112.18.1/CSA B125.1 and all applicable requirements therein including NSF 61/9G & 372
- Meets CalGreen and Georgia SB370 requirements
- Complies with California Proposition 65 and with the Federal Safe Drinking Water Act
- The backflow protection system in the device consists of two independently operating check valves, a primary and a secondary which prevent backflow

- ADA for lever handle

WARRANTY

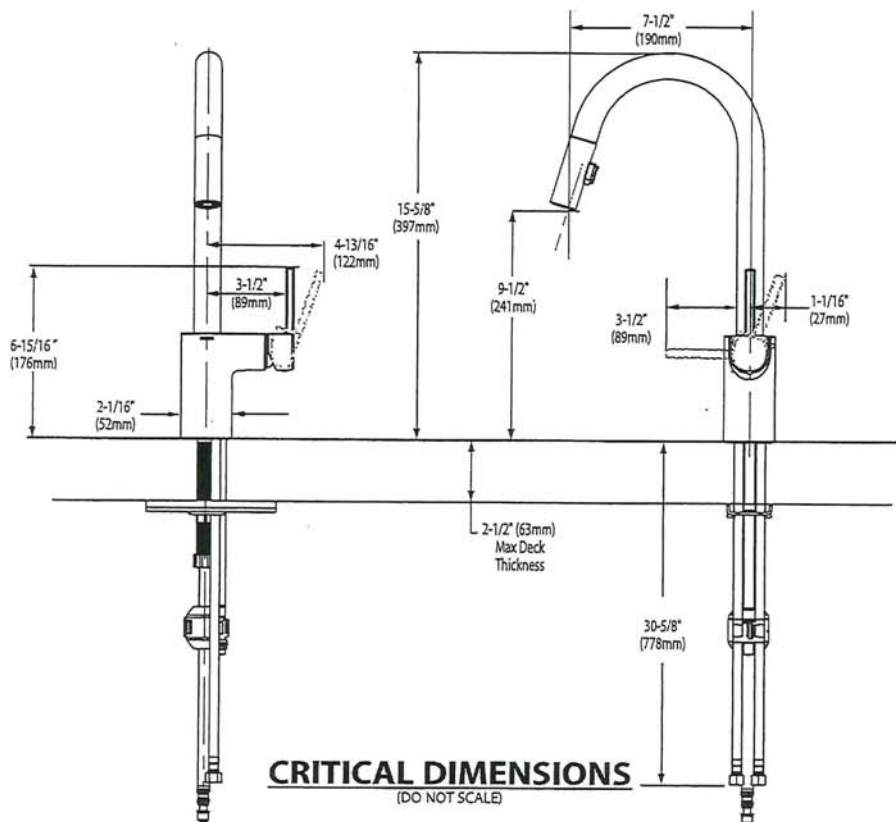
- Lifetime limited warranty against leaks, drips and finish defects to the original homeowner
 - 10 year limited warranty when used in a multifamily installation
 - 5 year limited warranty when used in a commercial installation
- Visit www.moen.com/support for complete details and limitations



ALIGN™
 Single Handle High Arc
 Pulldown Kitchen Faucet

Models: 7565 series

NOTE: THIS FAUCET IS DESIGNED TO BE INSTALLED THROUGH 1 HOLE, 1-1/2" (38mm) MIN. DIA. (OPTIONAL 3-HOLE ESCUTCHEON 141002 AVAILABLE)



K.F

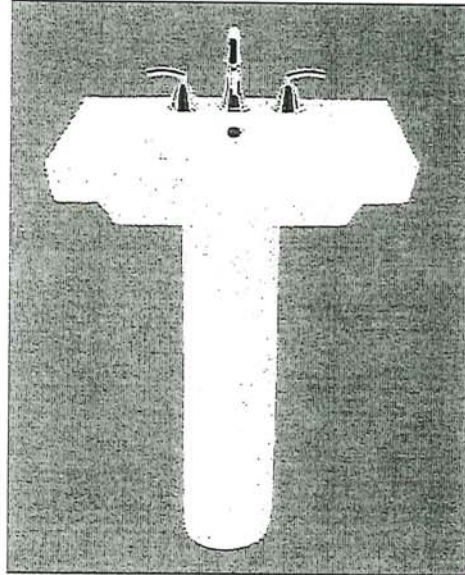


BARRIER FREE (ABOVE COUNTER OR DROP-IN ONLY)

BOULEVARD®
PEDESTAL SINK
VITREOUS CHINA

BOULEVARD® PEDESTAL SINK

- STD ~~0641.800~~ Faucet holes on 8" (203mm) centers (Illustrated)
 ~~0641.400~~ Faucet holes on 4" (102mm) centers
 ~~0641.100~~ Center hole only
- Classic styled rectangular pedestal lavatory
 - Vitreous china
 - Rear overflow
 - Supplied with mounting kit
 - Right Height® for greater comfort during use
 - Faucet ledge with large deck area (faucet not included)
 - **Design coordinates with Boulevard® Toilet**
 - Basin has flat bottom to also allow use as an **above counter** sink or a **drop-in** sink (with u-shaped cut out)



SEE REVERSE FOR ROUGHING-IN DIMENSIONS

Nominal Dimensions:

24" x 19" x 35-1/2"
(610 x 483 x 902mm)

- 0641.008** Pedestal top-8" (203mm) centers
- 0641.004** Pedestal top-4" (102mm) centers
- 0641.001** Pedestal top-center hole only
- 0010.000** Pedestal only

Bowl sizes:

17" (432mm) wide,
12-1/2" (318mm) front to back,
5" (127mm) deep

Compliance Certifications -

Meets or Exceeds the Following Specifications:

- ASME A112.19.2 - 2008/CSA B45.1-08

To Be Specified:

- Color: White Linen
- Faucet Finish:
- Supplies:
- 1-1/4" Trap:
- Nipple:

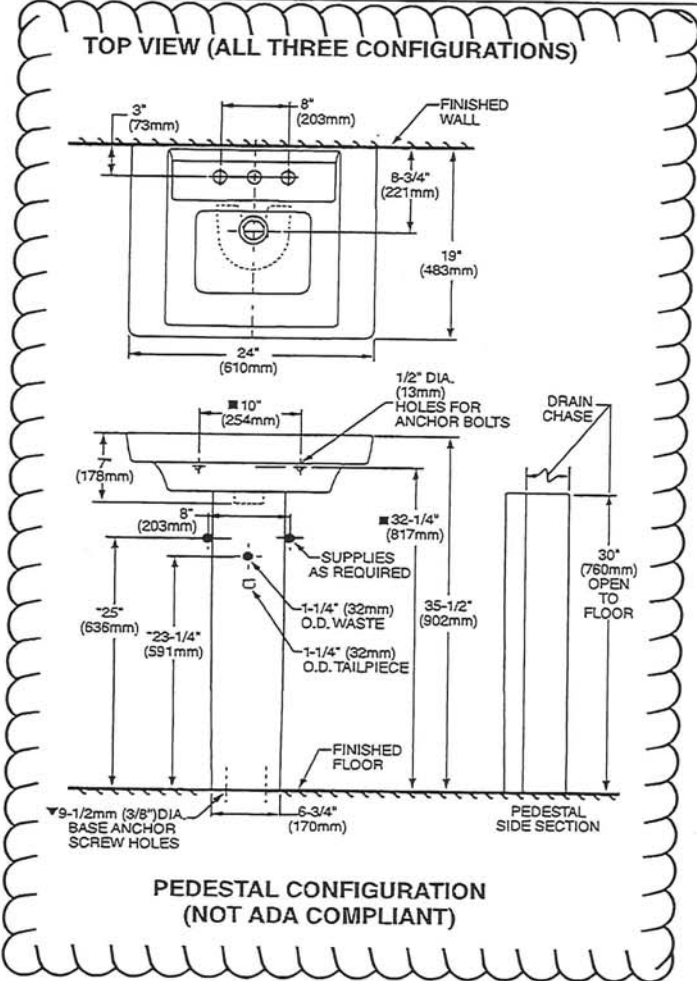
* See faucet section for additional models available

12-1

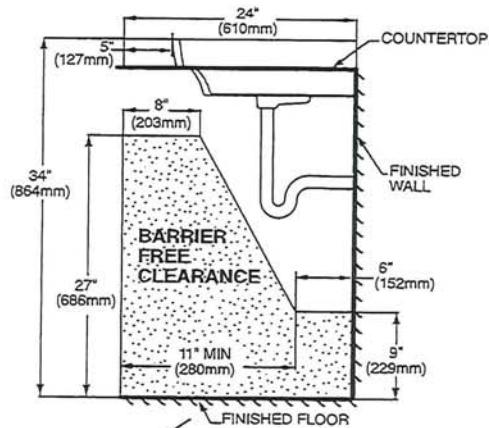
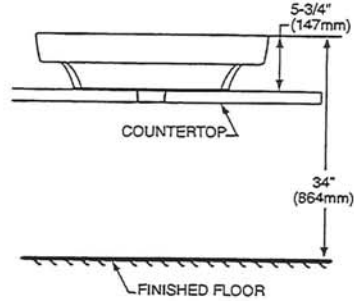
American Standard

**BOULEVARD®
 PEDESTAL SINK**
 VITREOUS CHINA

BARRIER FREE (ABOVE COUNTER OR DROP-IN ONLY)



ABOVE COUNTER CONFIGURATION



DROP-IN SINK CONFIGURATION

ABOVE COUNTER AND DROP-IN SINK CONFIGURATIONS MEET THE AMERICANS WITH DISABILITIES ACT GUIDELINES AND ANSI A117.1 ACCESSIBLE AND USABLE BUILDINGS AND FACILITIES - CHECK LOCAL CODES.

Top of sink installed at 34" (864mm) height from finished floor.
 Sink installed 5" (127mm) minimum from front edge of countertop.
 Provide 27" (686mm) knee clearance area.

NOTES:
 * DIMENSIONS SHOWN FOR LOCATION OF SUPPLIES AND "P" TRAPS ARE SUGGESTED.
 ▼ PEDESTAL ANCHORING SCREWS NOT INCLUDED.
 ■ SUITABLE FOR REINFORCEMENT ONLY. ACTUAL DIMENSIONS MUST BE TAKEN FROM FIXTURE.
 FITTING NOT INCLUDED AND MUST BE ORDERED SEPARATELY.
 PROVIDE SUITABLE REINFORCEMENT FOR ALL WALL SUPPORTS.
 INSTALLATION INSTRUCTIONS SUPPLIED WITH LAVATORY.

IMPORTANT: Dimensions of fixtures are nominal and may vary within the range of tolerance established by ANSI Standard A112.19.2. These measurements are subject to change or cancellation. No responsibility is assumed for use of superseded or voided pages.

K.T

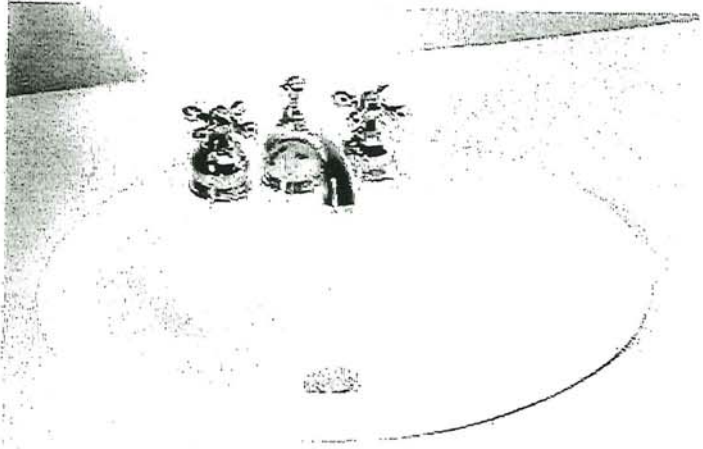
American Standard

BARRIER FREE

COLONY™
COUNTERTOP SINK
 VITREOUS CHINA

COLONY COUNTERTOP SINK

- Vitreous china
- Self-rimming
- Front overflow
- Supplied with template
- Faucet deck
- (Faucet shown not included)



0346 803

Faucet holes on 203mm (8") centres

0346 403 (Illustrated)

Faucet holes on 102mm (4") centres

0346 001

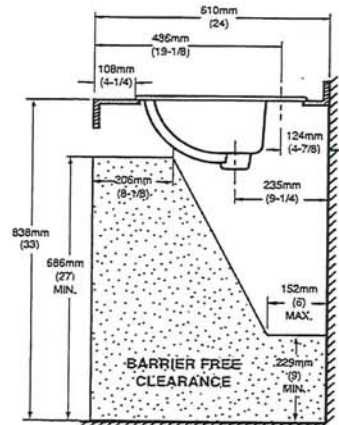
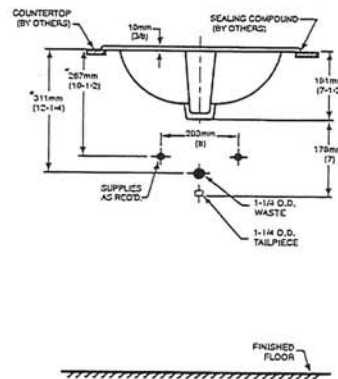
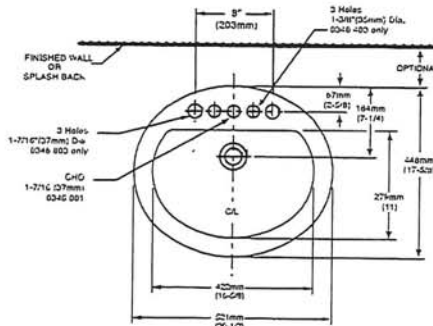
Centre hole only

Nominal Dimensions:

521 x 448mm (20-1/2" x 17-5/8")

Bowl sizes:

422mm (16-5/8") wide, 279mm (11") front to back, 143mm (5-5/8") deep



COMPLIANCE CERTIFICATIONS –

- Meets or exceeds the following Specifications:
- ASME A112.19.2M for Vitreous China Fixtures.
 - CAN/CSA B45 Series.

To Be Specified

- Colour: White Bone Silver Gray Linen
- Faucet*:
- Faucet Finish:
- Supplies & Stops:
- Trap 1-1/4" (32 mm):

NOTES:

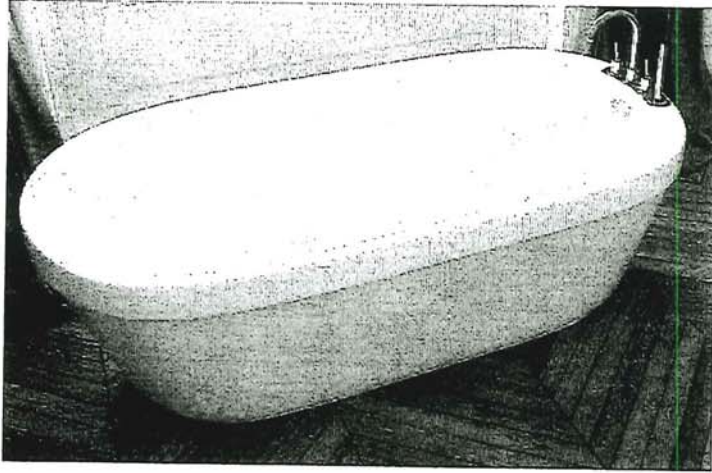
* DIMENSIONS SHOWN FOR LOCATION OF SUPPLIES AND "P" TRAP ARE SUGGESTED. FOR COUNTERTOP CUTOUT AND INSTALLATION INSTRUCTIONS USE TEMPLATE SUPPLIED WITH SINK. FAUCETS NOT INCLUDED AND MUST BE ORDERED SEPARATELY. IMPORTANT: Dimensions of fixtures are nominal and may vary within the range of tolerances established by ANSI Standard A112.19.2. These measurements are subject to change or cancellation. No responsibility is assumed for use of superseded or voided pages.

* See faucet section for additional models available

K-T



DEMI™ Product Specification Sheet



Two Piece Freestanding Collection

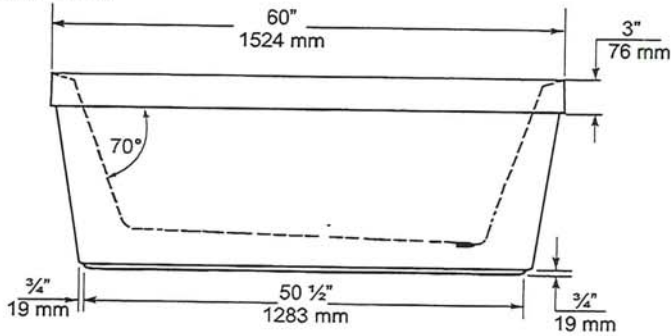
CF2007 Two Piece Freestanding Soaker
 Size: 60" x 32" x 22"
 1524 mm x 813 mm x 559 mm

PRODUCT FEATURES & BENEFITS

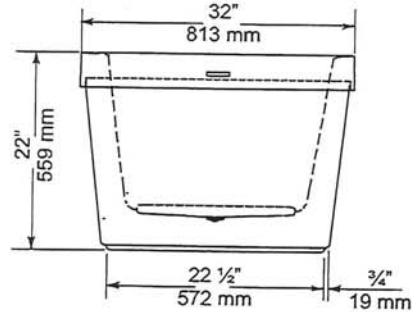
- Vacuum formed acrylic reinforced with fiberglass
- Scratch, stain and fade resistant high gloss finish
- Installation friendly two piece design
- Accepts deck mounted faucet
- Includes integral pop up drain and rectangular overflow
- Includes levelling feet

TWO PIECE ASSEMBLY

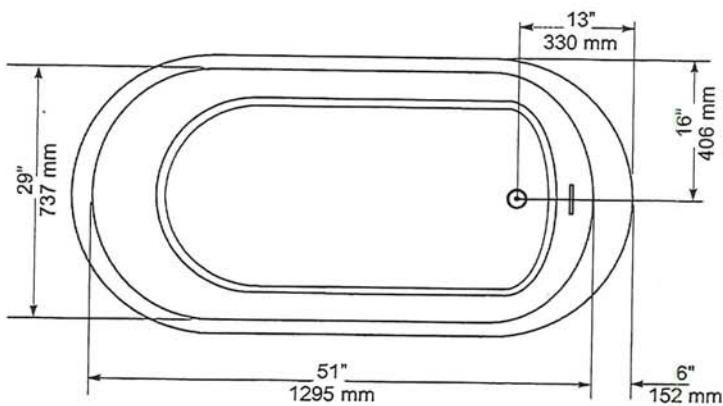
FRONT VIEW



END VIEW



TOP VIEW



GENERAL SPECIFICATIONS		
Average Weight	90 lb	41 kg
Bathing Well at bottom	43" x 20"	1092 x 508 mm
Capacity Drain to Overflow		195 litres
Water Depth Drain to Overflow	16"	406 mm
Drain Opening (dia.)	2"	51 mm
Overflow Opening	2 1/4" x 1/2"	57 x 13 mm
Drain to Floor Clearance	3 1/4"	83 mm

NOTES: Please confirm measurements on actual product to ensure proper identification. Bathtub to be installed on the floor supported by 5 self levelling feet. Adjust if required to level the bathtub for adequate drainage. Refer to installation instructions for additional information.

IMPORTANT: Dimensions of fixtures are nominal and may vary ± 1/4" (6 mm). Weight may vary ± 5 lb (2.3 kg). Drawing is not to scale. These measurements are subject to change at manufacturer's discretion.

Compliance Certifications -

- Meets or Exceeds the following Specifications:
- CAN/CSA - B45 Series



1-7



H2OPTION® SIPHONIC DUAL FLUSH ELONGATED TOILET

VITREOUS CHINA

H2OPTION® SIPHONIC DUAL FLUSH ELONGATED TOILET

- 2887.218**
 - Vitreous china
 - Ultra high efficiency
 - Full Flush (4.8 Lpf/1.28 gpf)
 - Partial Flush (3.4 Lpf/0.92 gpf)
 - Elongated siphon action bowl with direct-fed jet
 - Meets EPA WaterSense® criteria
 - MaP PREMIUM listed
 - Includes EverClean® antimicrobial surface
 - PowerWash® rim scrubs bowl with each flush
 - 305mm (12") rough-in
 - Fully glazed 2" Trapway
 - Generous 9" x 8" water surface area
 - Chrome plated top mounted push button actuator
 - Sanitary bar on bowl
 - 2 color matched bolt caps
 - Limited lifetime warranty on chinaware and limited five year warranty on all mechanical parts



- 2887.518** Same as above, except with Tank with AquaGuard Liner

Separate Component Parts:

- 3706.216** Bowl
- 4133A.218** Tank
- 4133A.518** Tank with AquaGuard Liner

Nominal Dimensions:

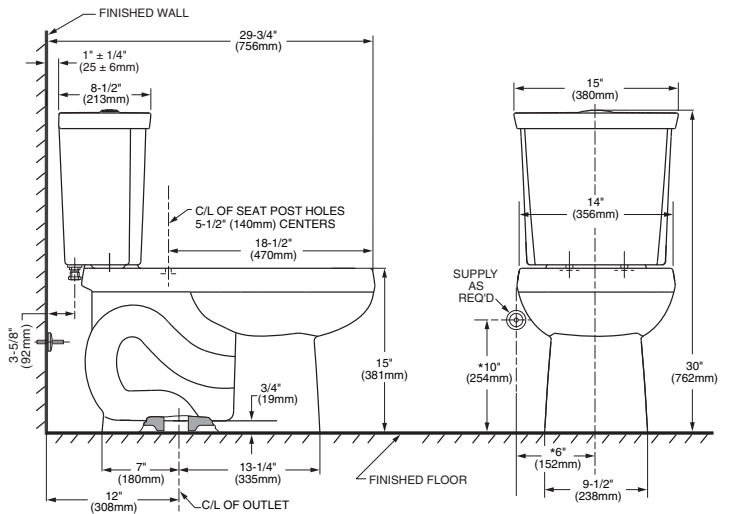
756 x 380 x 762mm
 (29-3/4" x 15" x 30")

Fixture only, seat and supply by others

Compliance Certifications -

Meets or Exceeds the Following Specifications:

- ASME A112.19.2-2008/CSA B45.1-08 for Vitreous China Fixtures
- CALGreen and California Energy Commission (CEC) Compliant
- US EPA WaterSense® criteria for UHETs



NOTES:

THIS COMBINATION IS DESIGNED TO ROUGH-IN AT A MINIMUM DIMENSION OF 305MM (12") FROM FINISHED WALL TO C/L OF OUTLET. * DIMENSION SHOWN FOR LOCATION OF SUPPLY IS SUGGESTED. SUPPLY NOT INCLUDED WITH FIXTURE AND MUST BE ORDERED SEPARATELY.

IMPORTANT: Dimensions of fixtures are nominal and may vary within the range of tolerance established by ANSI Standard A112.19.2. These measurements are subject to change or cancellation. No responsibility is assumed for use of superseded or voided pages.

To Be Specified:

- Color: White Bone Linen
- Seat: American Standard #5257A.65C Easy Lift and Clean Elongated Seat with Cover and Slow Close hinges
- Alternate Seat:
- Supply with stop:



MOEN®

Specifications

DESCRIPTION

- Metal construction with various finishes identified by suffix
- 16" long 3/8" tubing connections
- Includes metal or 50/50 pop-up type waste assembly where noted

OPERATION

- Pivot action lever style handle
- Temperature controlled through 180° degree arc of handle travel


FLOW

- Flow is limited to 1.5 gpm max (5.7L/min) at 60 psi

CARTRIDGE

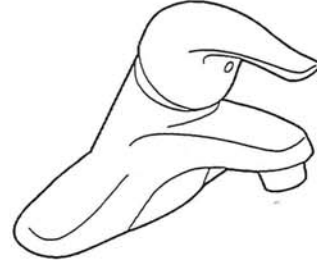
- 1225 cartridge design
- Nonmetallic/nonferrous and stainless steel material
- Can accommodate reversed piping and back to back installations

STANDARDS

- Third party certified to WaterSense®, CSA B-125.1, ASME A112.18.1 and all applicable requirements referenced therein including NSF61/9
- Complies with California Proposition 65 and with the Federal Safe Drinking Water Act
- **ADA**  for lever handle

WARRANTY

- Lifetime limited warranty against leaks, drips and finish defects to the original consumer purchaser
- 5 year warranty if used in commercial installations



CHATEAU® Single-Handle Lavatory Faucet

with Metal Waste Assembly

Model: L4625 series

L4631BC

Bulk Packed (12 per carton):
L64624 series

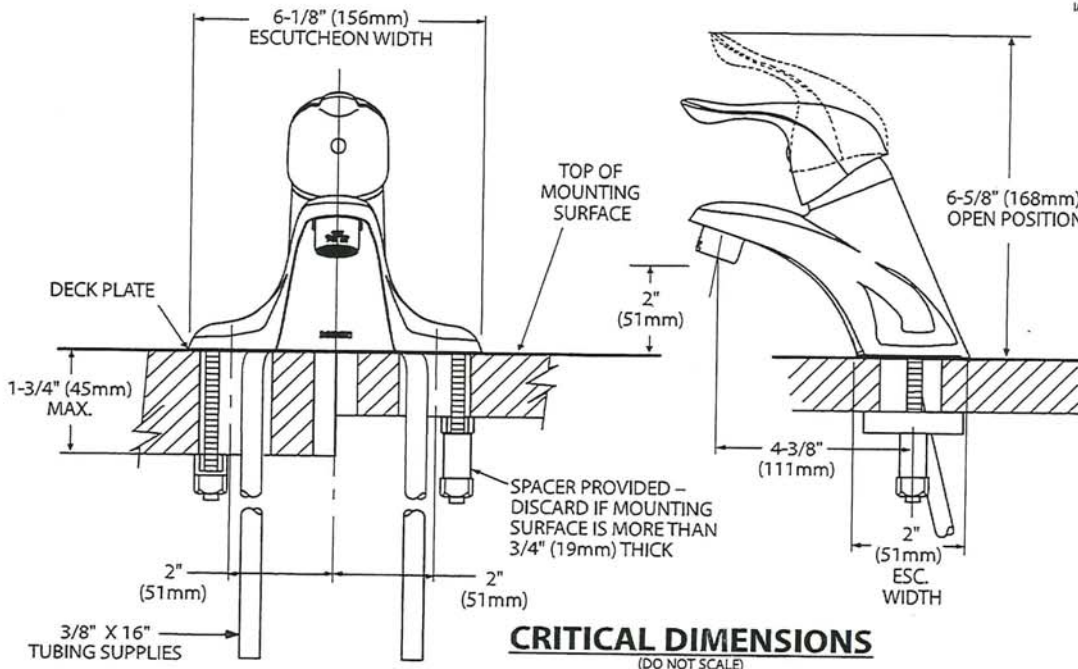
with 50/50 Waste Assembly

Bulk Packed (12 per carton):
L64625 series

Less Waste

Bulk Packed (12 per carton):
L64600 series

NOTE: THIS FAUCET IS DESIGNED TO BE INSTALLED THRU 3-1" DIA. HOLES, 2" ON CENTER



12.5



Buy it for looks. Buy it for life.®

There is more than 1 version of this model.
 Page down to identify the version you have.

DESCRIPTION

- Metal construction with various finishes identified by suffix
- Includes non-metallic showerhead, arm, flange and non-metallic diverter tub spout

OPERATION

- Handle operates counterclockwise through a 270° arc with off at 6 o'clock and maximum hot at the 9 o'clock position. Shut off in clockwise direction
- Adjustable temperature limit stop to control maximum hot water temperature
- Pressure balancing mechanism maintains selected discharge temperature to ± 3°

FLOW

- Showerhead is limited to 2.5 gpm (9.5 L/min) at 80 psi
- EP suffix models are limited to 1.75 gpm (6.6 L/min) at 80 psi
- NH suffix models contain no showerhead

CARTRIDGE

- 1222 cartridge design
- Accommodates back to back installations
- Nonmetallic/nonferrous and stainless steel material

STANDARDS

- Third party certified to meet ASME A112.18.1/CSA B125.1 and all applicable requirements referenced therein
- EP suffix models are third party certified to WaterSense®

- **ADA** for lever handle

WARRANTY

- Lifetime limited warranty against leaks, drips and finish defects to the original consumer purchaser
- 5 year warranty if used in commercial installations

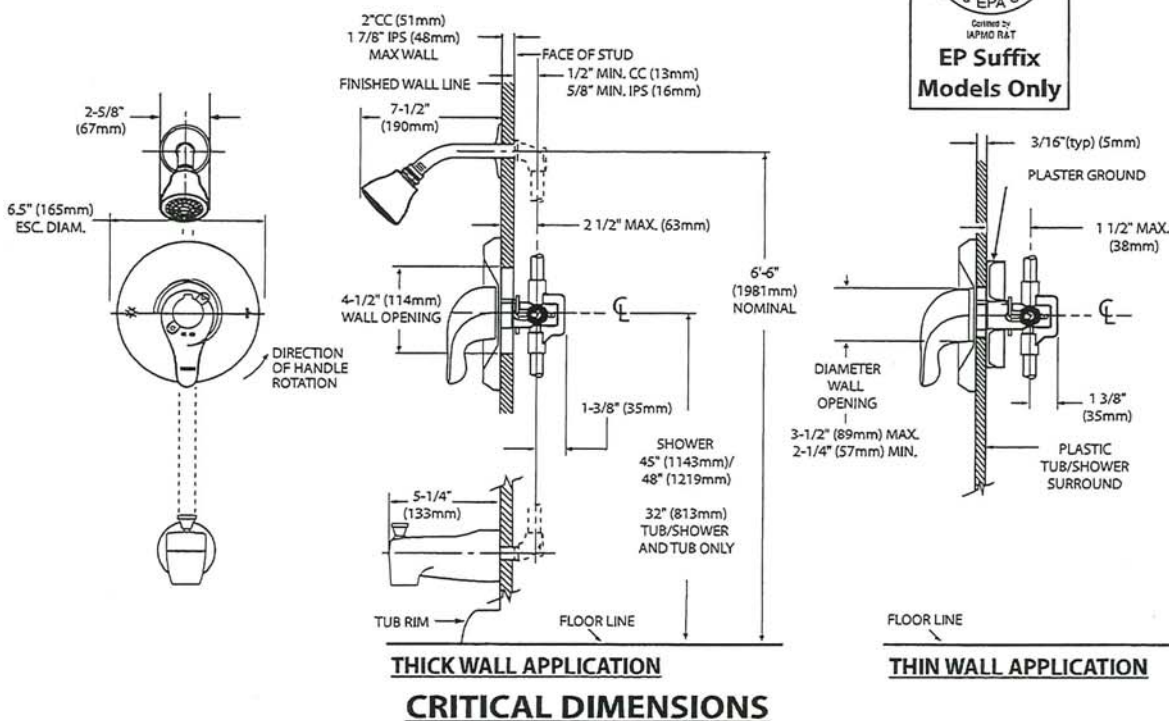
Specifications



**CHATEAU® POSI-TEMP®
 Single-Handle Tub/Shower Trim Kit**

- Models:** TL181 series - valve trim only
 (Bulk Packed 12 per carton)
 TL182 series - shower trim only
 (Bulk Packed 12 per carton)
 TL183 series - tub/shower trim
 (Bulk Packed 12 per carton)

- Valves:** 62300 series
 2500 series



12-T

MOEN®

Specifications


DESCRIPTION

- Metal construction with various finishes identified by suffix

OPERATION

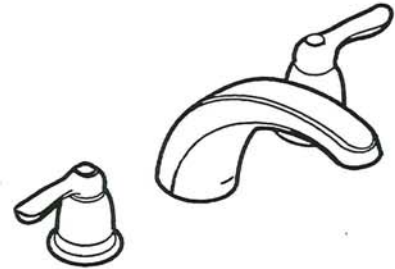
- Lever style handles with hot and cold color indicator
- Rotate hot side handle counterclockwise to open (clockwise to close) and the cold side handle (clockwise to open) and (counterclockwise to close)

STANDARDS

- Third party certified to: ASME A112.18.1/CSA B-125.1, and all applicable requirements referenced therein
- ADA  for lever handles

WARRANTY

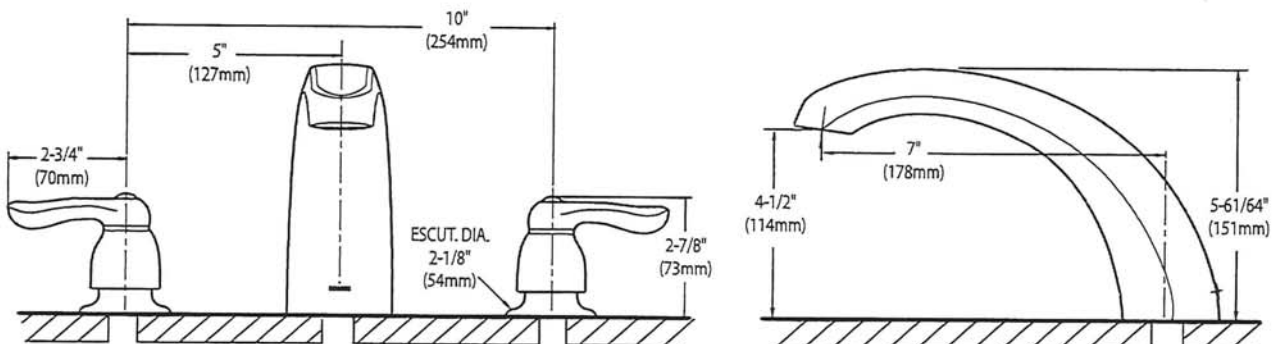
- Lifetime limited warranty against leaks, drips and finish defects to the original homeowner
 - 10 year limited warranty when used in a multi-family installation
 - 5 year limited warranty when used in a commercial installation
- Visit www.moen.com/support for complete details and limitations



CHATEAU®
Two-Handle Garden Tub Trim

Models: T994 series

Valves: 4792, 4793, 4794, 4796, 4797, 4798

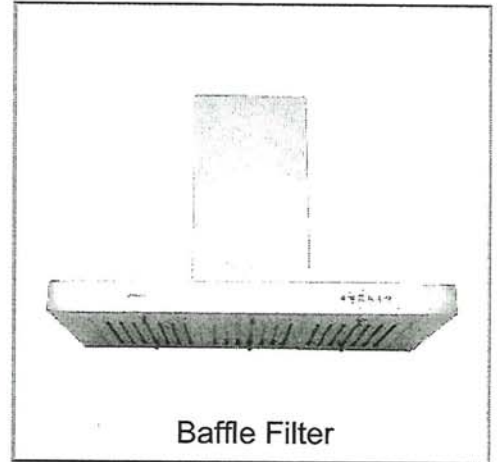


CRITICAL DIMENSIONS

(DO NOT SCALE)

1-7

SC(B)514 | ALITO Collection



Wall Mount

The SC(B)514 makes a statement of strength and power with a bold frame and 550 CFM fan. Features mesh or baffle filters, two bright LED lights and a three-speed panel for total control. It is also fitted with a time-delay OFF feature up to nine minutes.

Green Features



3 Speed Push Button Control Panel



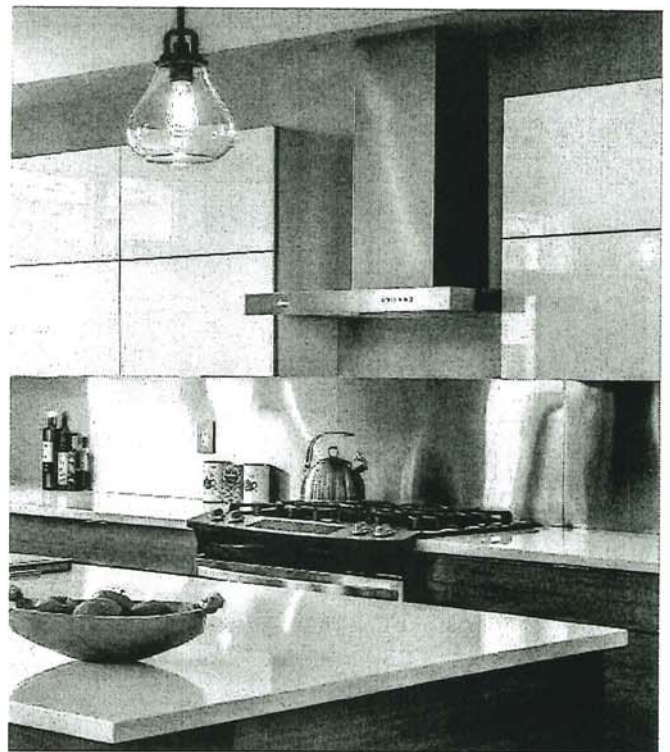
Long-Lasting LED Lights



Time-Delay OFF Feature



Grease Cup



Model	Colour	Ducting	Filters	Size	CFM
-------	--------	---------	---------	------	-----

SCB51430	Stainless Steel	6"	Baffle	30"	550
SCB51436	Stainless Steel	6"	Baffle	36"	550

Cyclone Range Hoods Inc.

1361 Huntingwood Drive, Unit 16. Toronto, ON. M1S 3J1. Canada.

Toll Free: 1-888-293-5662 Tel: (416) 293-0933 Fax: (416) 293-4793 Website: www.CycloneRangeHoods.com

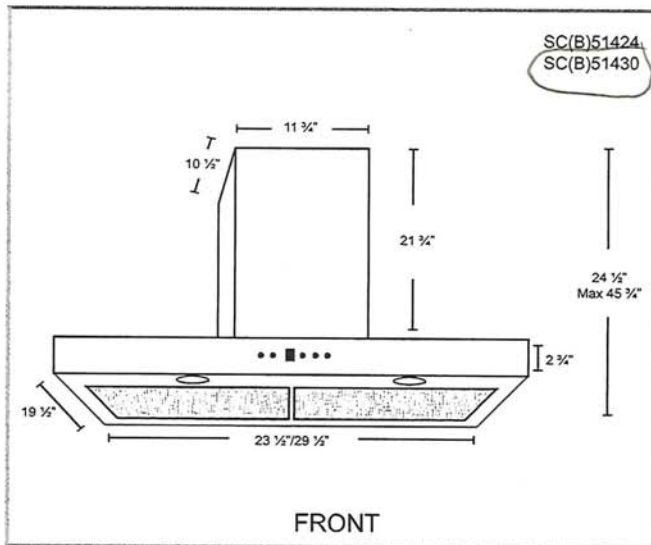
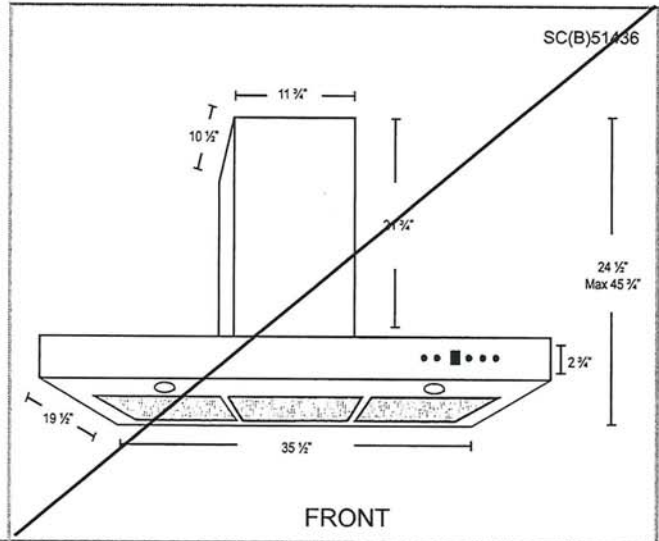
LT

SC(B)514 | ALITO Collection



Features

- Wall mount range hood
- 6" round duct adapter
- Non-stick aluminum fan blades
- 3 speed push button control
- 2 LED lights (2 x 1.4W, 4000K)
- Quick release aluminum mesh filters
- Standard chimney fits up to 9 ft. ceiling
- Up to 9 minutes time-delay OFF feature
- Plug-in connection



Options

- Filters:
 - SCB514 - Quick Release Stainless Steel Baffle Filters
- Chimney Flues:
 - B2.CH16 - short (7'-8' ceilings)
 - B2.CH22 - standard (8'-9' ceilings)
 - B2.CH32 - extended (9'-11' ceilings)
- Widths: 30", 36"

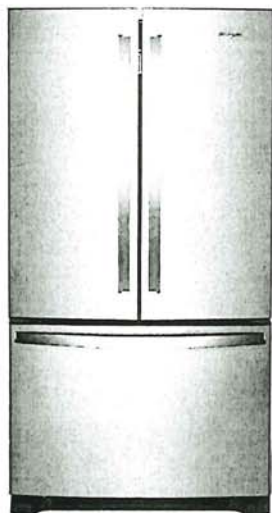
Specifications

- | | | |
|--|--|--|
| <ul style="list-style-type: none"> • Air Flow Volume: 550 CFM • Electrical Connection: 120 V/60 Hz • Power Consumption: 300 Watts | <ul style="list-style-type: none"> • Current: 2.5 Amps • Fan Speed: 1599 RPM • Fan Type: Centrifugal Blower | <ul style="list-style-type: none"> • Finishes: Stainless Steel • Ducting: 6" Round • Noise Level: Min. 2 Sones
Max. 6 Sones |
|--|--|--|



12-17

Whirlpool® 20 cu. ft. French Door Refrigerator
 WRF540CWH



Fingerprint-Resistant Stainless
 WRF540CWHZ

Also available in:

- White **WRF540CWHW**
- Black **WRF540CWHB**
- Fingerprint-Resistant Black Stainless **WRF540CWHV**

Capacity

Total Capacity	20 cu. ft.
Refrigerator Capacity	14 cu. ft.
Freezer Capacity	6 cu. ft.

General Features & Properties

- Interior Water Dispenser with EveryDrop® Water Filtration
- Full-Width, Temperature-Controlled Drawer
- Frameless Glass Shelves
- Gallon Door Bins
- Accu-Chill™ Temperature Management System
- Adaptive Defrost
- FreshFlow™ Produce Preserver
- LED Interior Lighting
- Designed, Engineered and Assembled in the U.S.A.

Electrical Details

Amps	20
Volts	115

Certifications

ENERGY STAR® Certified Yes

Technical Details

Refrigerator Type	French Door
Number of Doors	3
Number of Interior Refrigerator Shelves	5
Number of Refrigerator Door Bins	2 Fixed, 4 Adjustable
Number of Interior Freezer Shelves	1 Wire, 1 Plastic
Lighting Type	LED
Ice Maker	Factory Installed
Ice Maker Location	Freezer
Dispenser Type	Interior Water

Dimensions

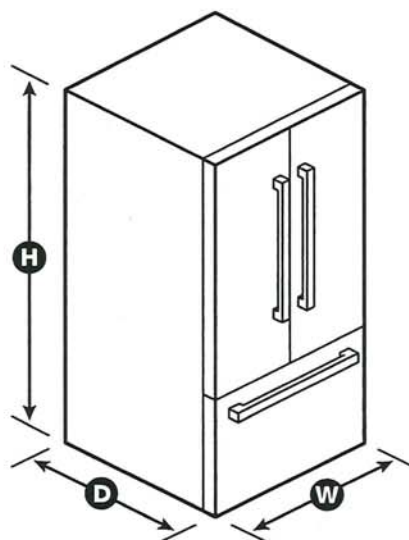
Product Dimensions (H x W x D)	70-1/8" x 35-5/8" x 29 3/8"
Depth with Door Open 90°	43"
Cutout Dimensions	Allow extra 1/2" on sides and top Allow extra 1" on rear

Reference Material

- [Dimension Guide](#)
- [Use & Care Guide](#)
- [Energy Guide](#)
- [Warranty](#)

Key Features & Benefits

- Fingerprint Resistant**
Resists fingerprints and smudges with an easy-to-clean finish.
- Counter Depth Design**
Add additional kitchen space with styling that fits virtually flush with the countertop.
- Humidity-Controlled Crispers**
Store fruits and veggies in their ideal environment.



NOTE: Dimensions are for planning purposes only. For complete details, see Installation Instructions packed with product. Specifications subject to change without notice.

©/™ © 2020. All rights reserved. Printed in the U.S.A. D200052XXC. WRF540CWH SPECSHEETV01.

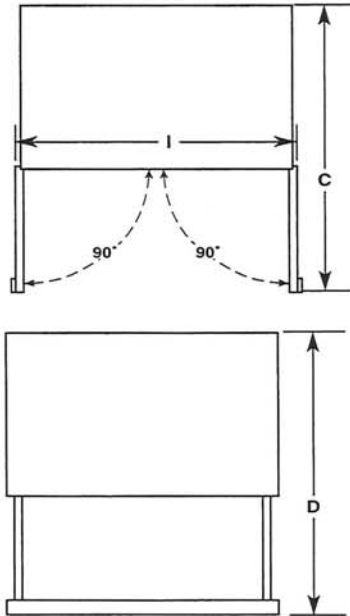
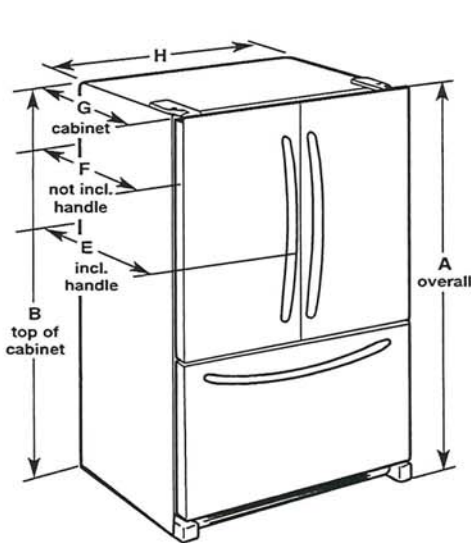
1-1



French Door Bottom Mount Refrigerator

WRF532SMH, WRF540CWH, WRF535SMH

PRODUCT DIMENSIONS



Model Number	WRF532SMH	WRF535SMH	WRF540CWH
Model Size	22.1 cu. ft.	25.2 cu. ft.	20.0 cu. ft.
Height - Overall "A"	70 ¹ / ₄ " (178.1 cm)	70 ¹ / ₄ " (178.1 cm)	70 ¹ / ₄ " (178.1 cm)
Height - Top of Cabinet "B"	68 ⁷ / ₈ " (174.9 cm)	68 ⁷ / ₈ " (174.9 cm)	68 ⁷ / ₈ " (174.9 cm)
Depth - Doors Open 90° "C"	47 ¹ / ₂ " (119.7 cm)	48 ¹ / ₂ " (122.2 cm)	43" (109.2 cm)
Depth - Drawer Open "D"	52 ¹ / ₈ " (132.4 cm)	52 ¹ / ₈ " (132.4 cm)	45 ³ / ₈ " (115.3 cm)
Depth - With Handles "E"	34 ¹ / ₂ " (87.4 cm)	35 ¹ / ₂ " (89.9 cm)	30 ¹ / ₂ " (77.5 cm)
Depth - Without Handles "F"	32" (81.3 cm)	33" (83.8 cm)	26 ⁷ / ₈ " (68.3 cm)
Depth - Cabinet Only "G"	28 ¹ / ₈ " (71.3 cm)	29 ¹ / ₈ " (73.9 cm)	24 ¹ / ₈ " (61.2 cm)
Width - Cabinet "H"	32 ³ / ₈ " (82.9 cm)	35 ³ / ₈ " (90.5 cm)	35 ³ / ₈ " (90.5 cm)
Width - Door Open 90° "I"	40 ³ / ₈ " (102.6 cm)	43 ³ / ₈ " (110.2 cm)	43 ³ / ₈ " (110.2 cm)

⚠ WARNING

Electrical Shock Hazard

- Plug into a grounded 3 prong outlet.**
- Do not remove ground prong.**
- Do not use an adapter.**
- Do not use an extension cord.**

Failure to follow these instructions can result in death, fire, or electrical shock.

Electrical: A 115 V, 60 Hz, AC only 15 A or 20 A fused, grounded electrical supply is required. It is recommended that a separate circuit serving only your refrigerator be provided. Use an outlet that cannot be turned off by a switch. Do not use an extension cord.

NOTE: Before performing any type of installation, cleaning, or removing a light bulb, turn the control (Thermostat, Refrigerator or Freezer Control depending on the model) to OFF and then disconnect the refrigerator from the electrical source. When you are finished, reconnect the refrigerator to the electrical source and reset the control (Thermostat, Refrigerator or Freezer Control depending on the model) to the desired setting. See "Using the Controls."

Water: A cold water supply with water pressure between 35 psi and 120 psi (241 kPa and 827 kPa) is required to operate the water dispenser and ice maker. If you have questions about your water pressure, call a licensed, qualified plumber.

IMPORTANT: The pressure of the water coming out of a reverse osmosis system going to the water inlet valve of the refrigerator needs to be between 35 psi and 120 psi (241 kPa and 827 kPa).

Reverse Osmosis Water Supply:


If a reverse osmosis water filtration system is connected to your cold water supply, the water pressure to the reverse osmosis system needs to be a minimum of 40 psi to 60 psi (276 kPa to 414 kPa).

jc-T

Whirlpool® French Door Bottom Mount Refrigerator

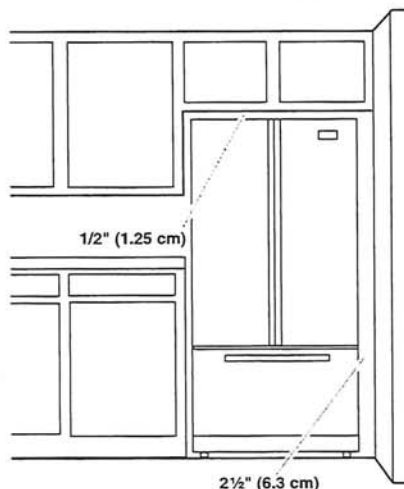
LOCATION REQUIREMENTS

⚠ WARNING



Explosion Hazard

Keep flammable materials and vapors, such as gasoline, away from refrigerator.
Failure to do so can result in death, explosion, or fire.



IMPORTANT: This refrigerator is designed only for indoor, household use only.

To ensure proper ventilation for your refrigerator, allow for a 1/2" (1.25 cm) space on each side and at the top. Allow for 1" (2.54 cm) of space behind the refrigerator. If your refrigerator has an ice maker, make sure you leave some extra space at the back for the water line connections.

If you are installing your refrigerator next to a fixed wall, leave 2 1/2" (6.3 cm) minimum on the hinge side (some models require more) to allow for the door to swing open.

NOTE: This refrigerator is intended for use in a location where the temperature ranges from a minimum of 55°F (13°C) to a maximum of 110°F (43°C). The preferred room temperature range for optimum performance, which reduces electricity usage and provides superior cooling, is between 60°F (15°C) and 90°F (32°C). It is recommended that you do not install the refrigerator near a heat source, such as an oven or radiator.

12-7



Front Control Electric Ranges

PRODUCT MODEL NUMBERS

WEC310S0L WEE515S0L WEE515SAL YWEE515S0L

ELECTRICAL CONNECTION

To properly install your range, you must determine the type of electrical connection you will be using and follow the instructions provided for it here.

- Range must be connected to the proper electrical voltage and frequency as specified on the model/serial/rating plate. The model/serial/rating plate is located behind the oven door on the top right-hand side of the oven frame.
- This range is manufactured with the neutral terminal connected to the cabinet. Use a 3-wire, UL listed, 40- or 50-amp power supply cord (pigtail). See the following Range Rating chart. If local codes do not permit ground through the neutral, use a 4-wire power supply cord rated at 250 volts, 40- or 50-amps and investigated for use with ranges.

Range Rating*		Specified Rating of Power Supply Cord Kit and Circuit Protection
120/240 Volts	120/208 Volts	Amps
8.8 - 16.5 KW	7.8 - 12.5 KW	40 or 50**
16.6 - 22.5 KW	12.6 - 18.5 KW	50

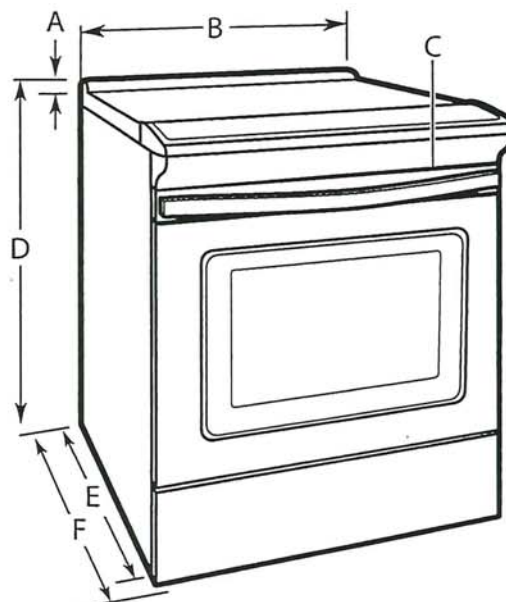
* The NEC calculated load is less than the total connected load listed on the model/serial/rating plate.

** If connecting to a 50-amp circuit, use a 50-amp rated cord with kit. For 50-amp rated cord kits, use kits that specify use with a nominal 1³/₈" (3.5 cm) diameter connection opening.

- A circuit breaker is recommended.

PRODUCT DIMENSIONS

This manual covers several models. Your model may appear different from the models depicted. Dimensions given are maximum dimensions across all models.



- A. 1³/₈" (3.0 cm) height from cooktop to top of vent
- B. 29⁷/₈" (75.9 cm)
- C. Model/serial/rating plate (located behind the oven door on the top right-hand side of the oven frame)
- D. WEE515SAL: 34" (86.4 cm) height to top of cooktop edge with leveling legs screwed all the way in*
Other models: 36" (91.4 cm) height to top of cooktop edge with leveling legs screwed all the way in*
- E. 28²⁵/₆₄" (72.1 cm) max. depth from front of console to back of range
- F. 29¹/₆₄" (73.7 cm) max. depth from handle to back of range

IMPORTANT: Range must be level after installation. Follow the instructions in the "Level Range" section of the Owner's Manual. Using the cooktop as a reference for leveling the range is not recommended.

* Range can be raised approximately 1" (2.5 cm) by adjusting the leveling legs.

10-7

DIMENSION GUIDE

WARNING: To reduce the risk of fire, electric shock, or injury to persons, read the IMPORTANT SAFETY INSTRUCTIONS, located in your appliance's Owner's Manual, before operating this appliance.

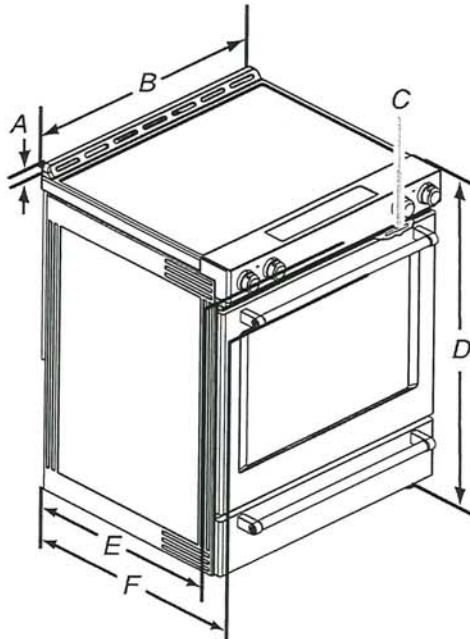
This manual covers several models. Your model may have some or all of the items listed. Refer to this manual or the Frequently Asked Questions section of our website at www.whirlpool.com for more detailed instructions. In Canada, reference the Customer Service section at www.whirlpool.ca.

PRODUCT MODEL NUMBERS

WEE745H0L, YWEE745H0L

PRODUCT DIMENSIONS

This manual covers several models. Your model may appear different from the models depicted. Dimensions given are maximum dimensions across all models.



- A. $1\frac{3}{16}$ " (3.0 cm) height from cooktop to top of vent
- B. $29\frac{7}{8}$ " (75.9 cm)
- C. Model/serial/rating plate (located behind the oven door on the top right-hand side of the oven frame)
- D. 36" (91.4 cm) height to top of cooktop edge with leveling legs screwed all the way in*
- E. $28\frac{5}{16}$ " (71.9 cm) maximum depth from front of console to back of range
- F. $28\frac{7}{8}$ " (73.3 cm) maximum depth from handle to back of range

IMPORTANT: Range must be level after installation. Follow the instructions in the "Level Range" section of your Owner's Manual. Using the cooktop as a reference for leveling the range is not recommended.

*Range can be raised approximately 1" (2.5 cm) by adjusting the leveling legs.

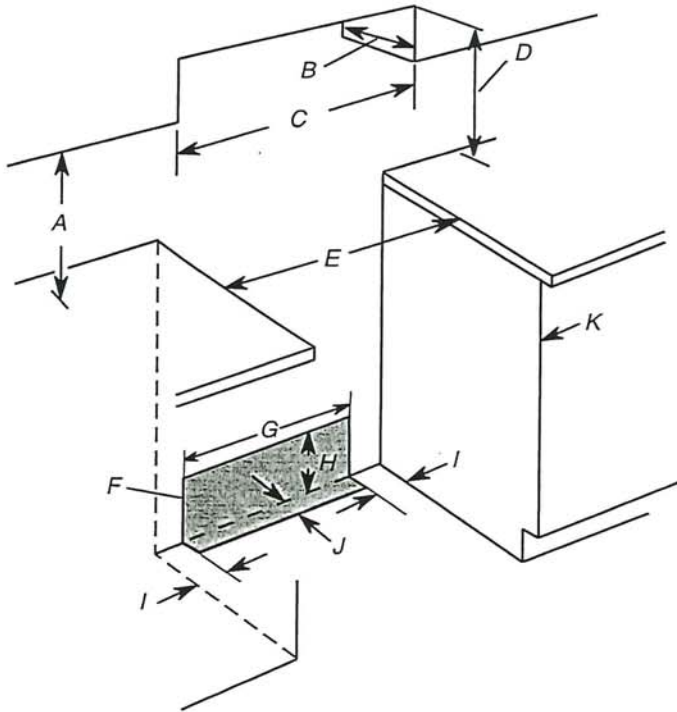
12-T

CABINET DIMENSIONS

Cabinet opening dimensions shown are for 25" (64.0 cm) countertop depth, 24" (61.0 cm) base cabinet depth and 36" (91.4 cm) countertop height.

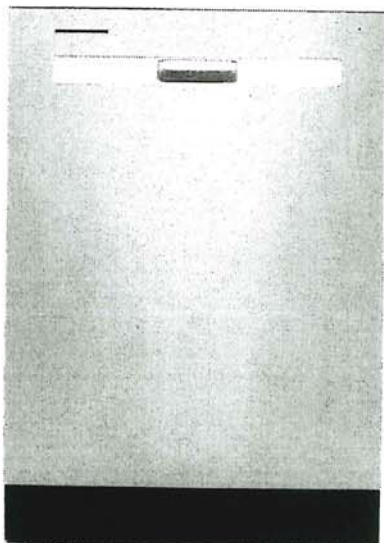
IMPORTANT: If installing a range hood or microwave hood combination above the range, follow the range hood or microwave hood combination installation instructions for dimensional clearances above the cooktop surface.

Range may be installed next to combustible walls with zero clearance.



- A. 18" (45.7 cm) upper side cabinet to countertop
- B. 13" (33 cm) max. upper cabinet depth
- C. 30" (76.2 cm) min. opening width
- D. For minimum clearance to top of cooktop, see NOTE*.
- E. 30" (76.2 cm) min. opening width
- F. The shaded area is recommended for installation of grounded outlet.
- G. 13¹/₈" (33.3 cm)
- H. 7¹¹/₁₆" (19.5 cm)
- I. 4¹³/₁₆" (12.2 cm)
- J. 3¹¹/₁₆" (9.4 cm)
- K. Cabinet door or hinges should not extend into the cutout.

* NOTE: 24" (61.0 cm) minimum when bottom of wood or metal cabinet is shielded by not less than 1/4" (0.64 cm) flame retardant millboard covered with not less than No. 28 MSG sheet steel, 0.015" (0.4 mm) stainless steel, 0.024" (0.6 mm) aluminum or 0.020" (0.5 mm) copper. 30" (76.2 cm) minimum clearance between the top of the cooking platform and the bottom of an uncovered wood or metal cabinet.



WDP540HAM

Whirlpool® 55 dBA Quiet Dishwasher with Boost Cycle and Pocket Handle
Dimensions: h: 33 1/2" w: 23 7/8" d: 24 1/2"

Available in   

THREE 5" CUP SHELVES

Free up extra space with Three 5" Cup Shelves.

EXTENDED SOAK CYCLE

Presoak and wash in one cycle with the Extended Soak Cycle

HYBRID TUB WITH DARK GRAY INTERIOR

Hybrid Tub with Dark Gray Interior helps mask food stains.

EXTRAS



QUALIFYING QUESTION

Do you have enough room to fit all your cups in one load? or do you wash by hand?



MORE INFORMATION

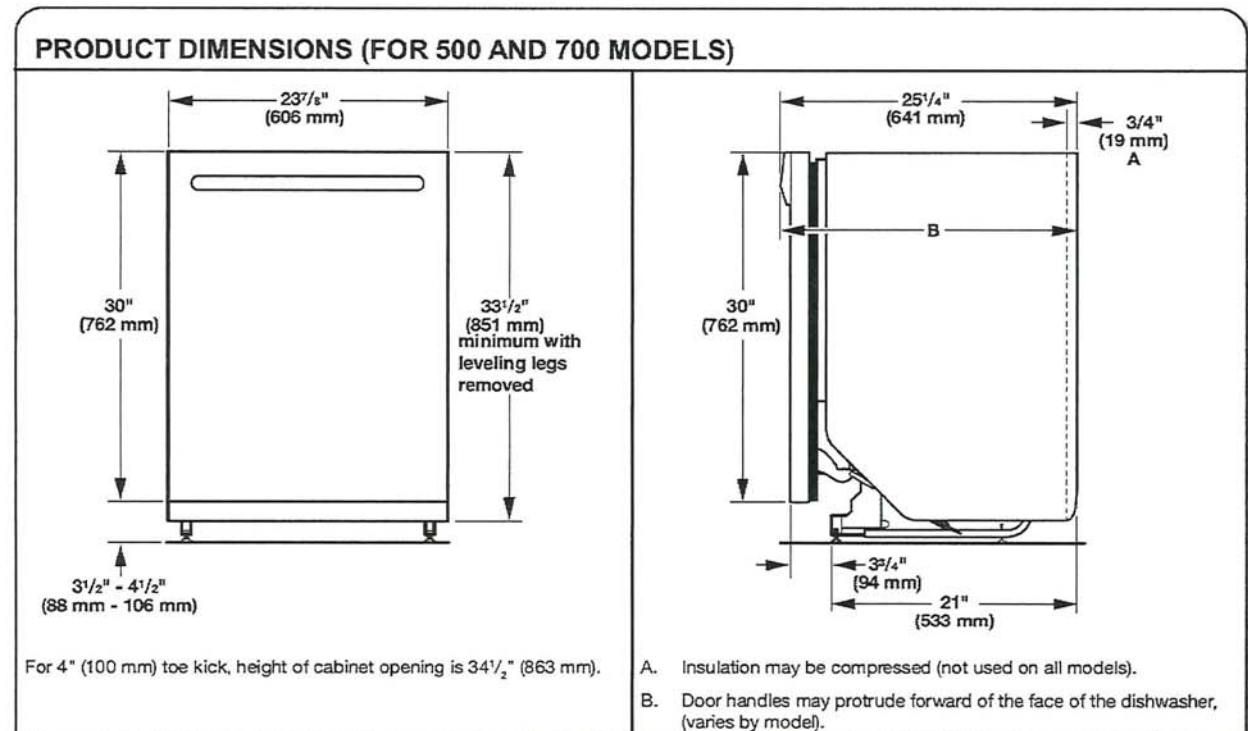
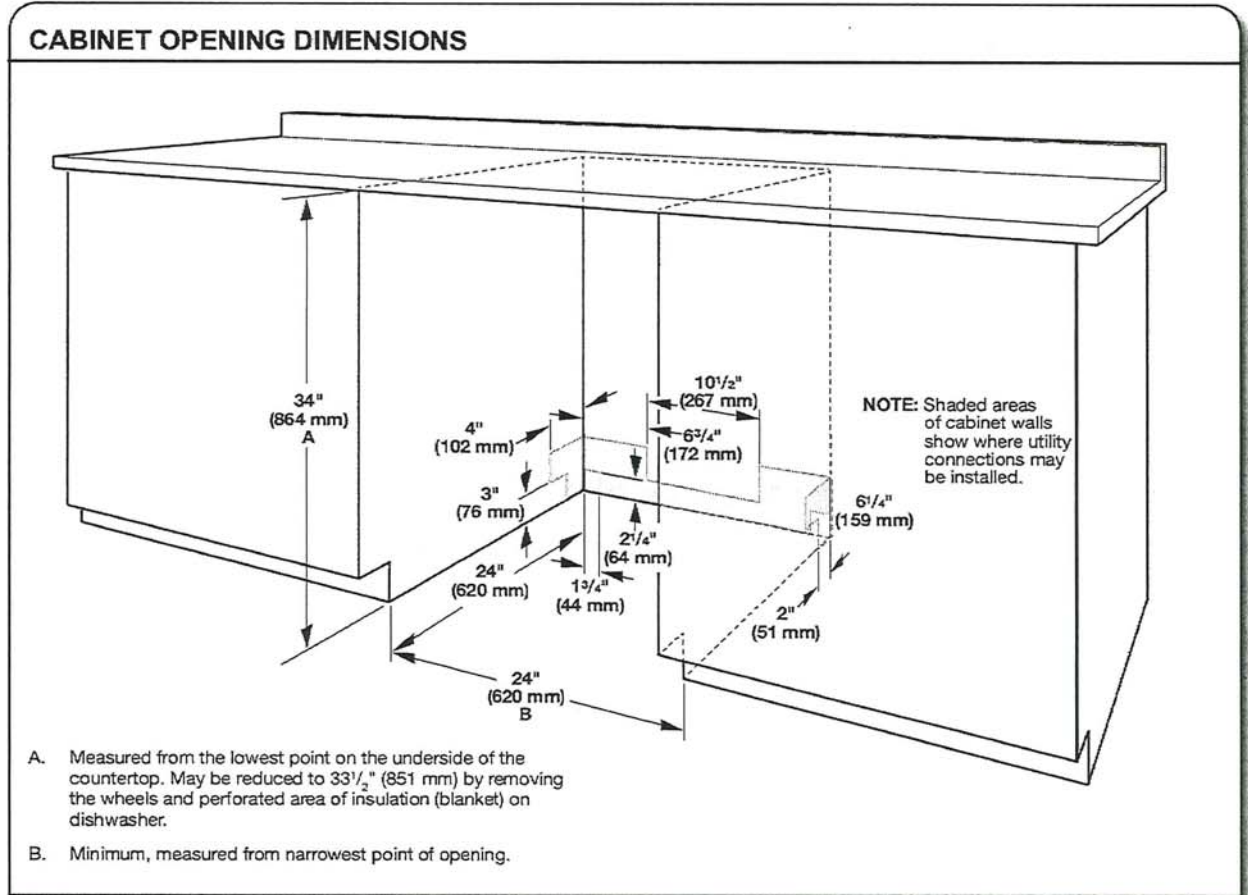
Three 5" Cup Shelves fit six additional cups or small bowls to free up extra space in the racks below and conveniently fold down to stay out of the way when not in use.



DEMO

Load coffee mugs on the rack and measuring cups on the cup shelf above to show how to load more in the second rack.

k-7



Because Whirlpool Corporation policy includes a continuous commitment to improve our products, we reserve the right to change materials and specifications without notice.

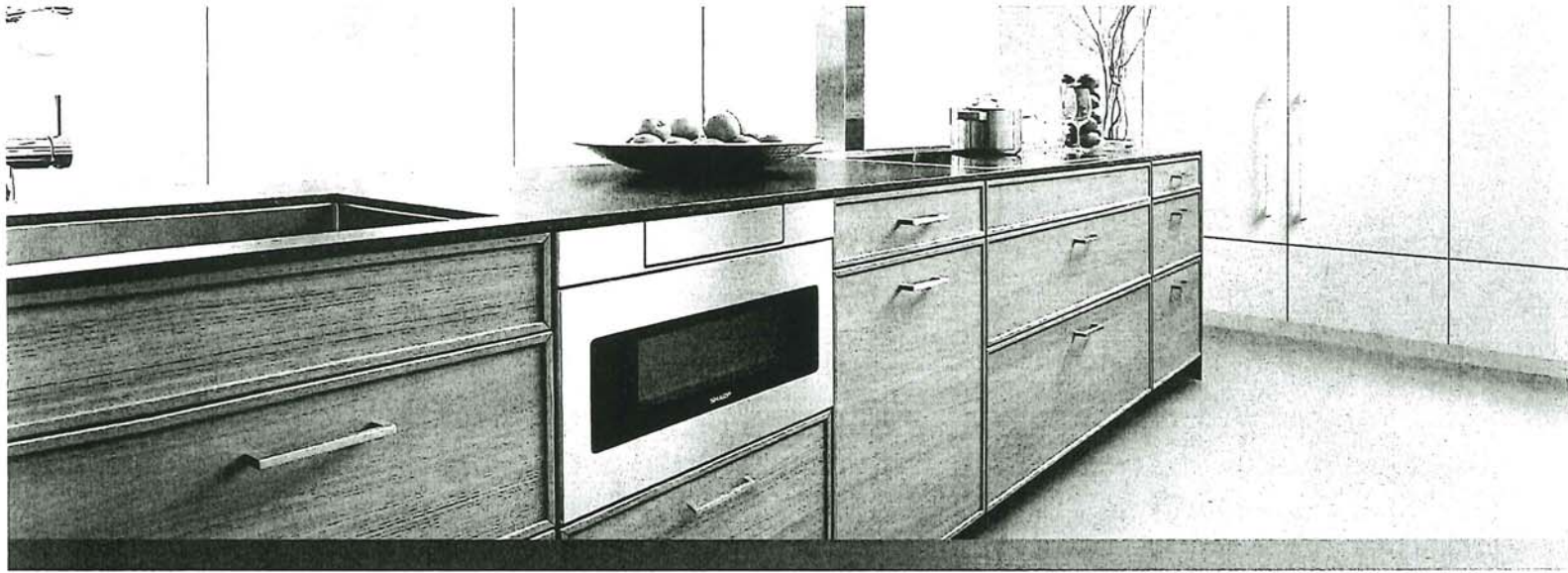
Dimensions are for planning purposes only. For complete details, see Installation Instructions packed with product. Specifications subject to change without notice.

10-7

SHARP

SMD2477ASC

24-INCH MICROWAVE DRAWER® OVEN



TAKE YOUR MICROWAVE TO A BETTER PLACE

It's your kitchen, your design and your lifestyle. Sharp's Microwave Drawer Oven allows you to focus on the design elements you prefer by removing the microwave from sightlines and enabling more design versatility. The Microwave Drawer offers flexible placement options below an island, peninsula, or standard cabinetry, and can also be installed adjacent to your wall oven. The Microwave Drawer allows you to showcase your design savvy and create a kitchen that flows with your lifestyle.

Sharp introduces the next generation of this successful appliance—model SMD2477ASC - a 24" microwave drawer with a simpler and a sleeker design to match more built-in appliances.

Design Flexibility

Sharp's Microwave Drawer product expands the option for microwave placement in almost any kitchen plan—it's a perfect choice for open-plan kitchens, islands, peninsulas, and a great addition to wet bars, family rooms and home theatres.

Location and Counter Space Saving

You may place the drawer under a counter, cooktop or wall oven or above a warming drawer without a built-in kit, additional trim or venting. Sharp microwave drawer provides the best solution for a cleaner, uncluttered counter space.

SHARP's Exclusive AutoTouch™ System

Sharp's exclusive AutoTouch™ system allows you to open and close the drawer automatically at one-finger operation by pressing a button on the control panel.

New Hidden Control Panel

The new SMD2477ASC model features a hidden control panel which gives a more integrated look and feel within the kitchen. The new tall control panel, angled at 45° degrees, is easy to see, easy to access and easy to use.

Specifications

TECHNICAL SPECIFICATIONS

Size	24" wide
Microwave Capacity	1.2 cu.ft
Microwave Power	950 watts
Control Panel	Digital LCD Display
Control Type	Hidden Control Panel
Drawer Opening	AutoTouch™ System
Power Level	11
Sensor Cook, Reheat, Popcorn Settings	13
Reheat Auto Settings	2
Defrost Auto Settings	6
Keep Warm Setting	Yes, up to 30 min.
Melt / Soften / Settings	Yes
Beverage Setting	Yes
Programmable Stages	Yes, 4
Digital Clock	Yes
Kitchen Timer	Yes
Child Lock	Yes
+30 sec	Yes
Interior Oven Light	Yes

TECHNICAL SPECIFICATIONS CONTINUED

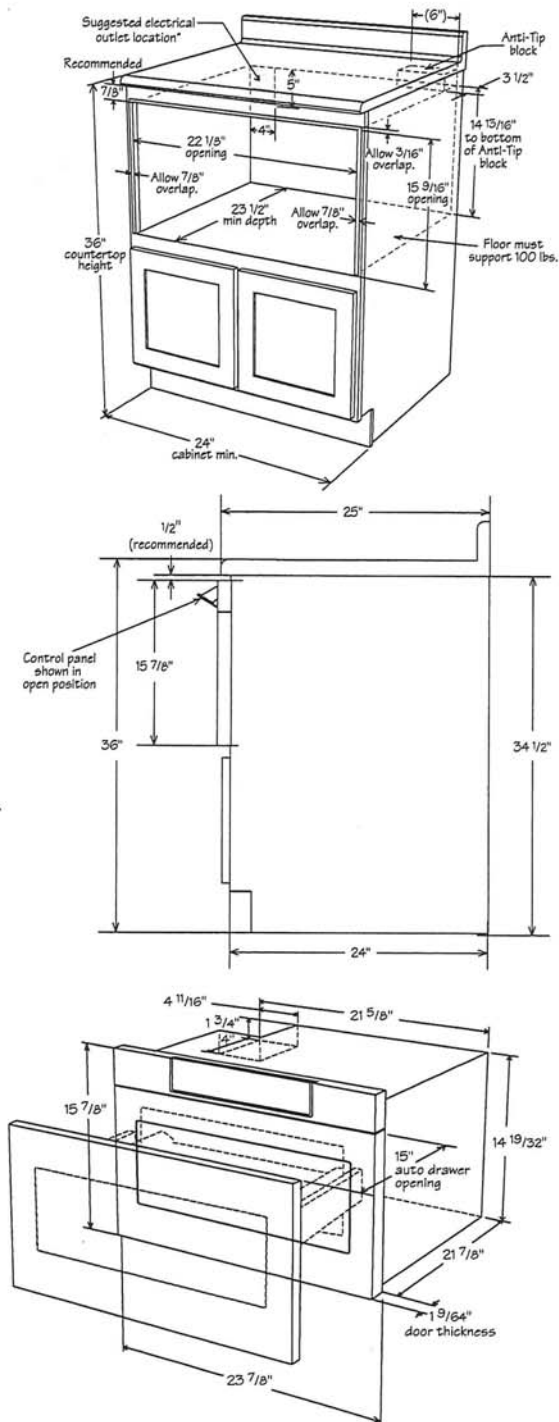
Demonstration Mode	Yes
Built-in Ready	Yes
Available Colour	Stainless Steel
Accessory	SKMD24FOAS
DIMENSIONS/WEIGHT (inches/lbs.)	
Cut-out Dimension	22 1/8" x 15 9/16"
Product Dimension	23 7/8" x 23 1/64" x 15 7/8"
Box Dimension	29.8" w x 27.9" x 21.9"
Net Weight	74 lb.
Gross Weight	85.8 lb.
POWER/SAFETY	
Power / Ratings	120V, 60Hz
Ratings	1.67Kw, 14.5Amps
Safety Compliance	FCC, DHHS, cUL
WARRANTY/UPC	
Warranty	1 year parts & labour with in-home service; 4 additional years for magnetron tube only
UPC	074000619944

K.T

SHARP

SMD2477ASC

Installation Guide



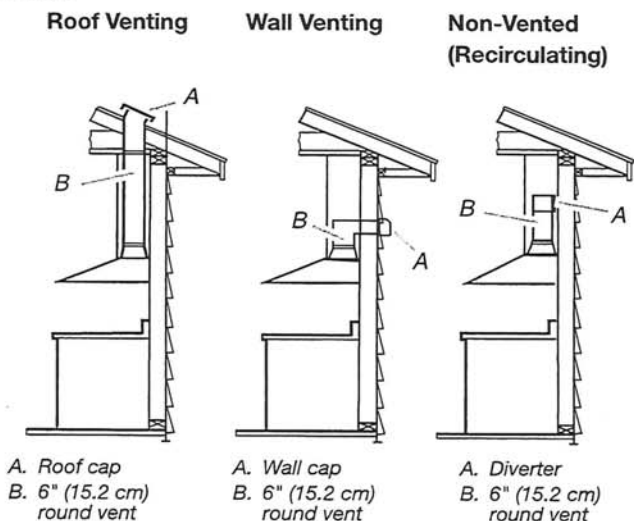
© 2016 Sharp Electronics Corporation. All rights reserved.
Product specification and design are subject to change without notice.

SHARP ELECTRONICS OF CANADA LTD.
335 Britannia Road East, MISSISSAUGA, ONTARIO, L4Z 1W9
www.sharp.ca

Handwritten mark: *12-17*

For Non-Vented (Recirculating) Installations

If it is not possible to vent cooking fumes and vapors to the outside, the hood can be used in the non-vented (recirculating) version using a Recirculation Kit (which includes charcoal filters and a deflector). To order, see the "Assistance or Service" section.



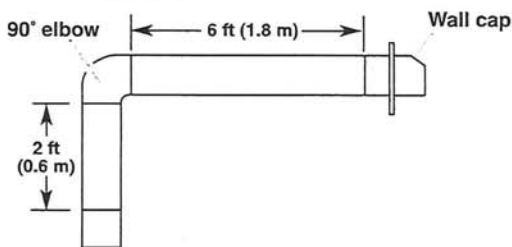
Calculating Vent System Length

To calculate the length of the system you need, add the equivalent feet (meters) for each vent piece used in the system.

Vent Piece	6" (15.2 cm) Round
45° elbow	2.5 ft (0.8 m)
90° elbow	5.0 ft (1.5 m)

Maximum equivalent vent length is 35 ft (10.7 m).

Example Vent System



The following example falls within the maximum recommended vent length of 35 ft (10.7 m).

1 - 90° elbow	= 5.0 ft (1.5 m)
1 - wall cap	= 0.0 ft (0.0 m)
8 ft (2.4 m) straight	= 8.0 ft (2.4 m)
Length of system	= 13.0 ft (3.9 m)

Electrical Requirements

Observe all governing codes and ordinances.

Ensure that the electrical installation is adequate and in conformance with National Electrical Code, ANSI/NFPA 70 (latest edition), or CSA Standards C22.1-94, Canadian Electrical Code, Part 1 and C22.2 No. 0-M91 (latest edition) and all local codes and ordinances.

If codes permit and a separate ground wire is used, it is recommended that a qualified electrician determine that the ground path is adequate.

A copy of the above code standards can be obtained from:

National Fire Protection Association
 1 Batterymarch Park
 Quincy, MA 02169-7471
 CSA International
 8501 East Pleasant Valley Road
 Cleveland, OH 44131-5575

- A 120 V, 60 Hz, AC only, 15-amp, fused electrical circuit is required.

- If the house has aluminum wiring, follow the procedure below:

Connect the aluminum wiring using special connectors and/or tools designed and UL listed for joining copper to aluminum.

Follow the electrical connector manufacturer's recommended procedure. Aluminum/copper connection must conform with local codes and industry accepted wiring practices.

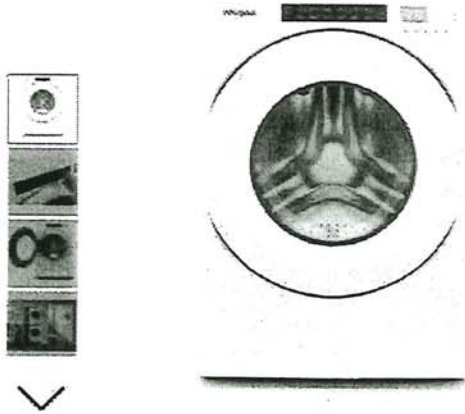
- Wire sizes and connections must conform with the rating of the appliance as specified on the model/serial/rating plate. The model/serial/rating plate is located behind the left filter on the rear wall of the range hood.
- Wire sizes must conform to the requirements of the National Electrical Code, ANSI/NFPA 70 (latest edition), or CSA Standards C22.1-94, Canadian Electrical Code, Part 1 and C22.2 No. 0-M91 (latest edition) and all local codes and ordinances.

K-7

5.0 cu.ft I.E.C. Closet-Depth Front Load Washer with Intuitive Controls

Model: WFW560CHW

- Overview
- Specifications
- Reviews
- You May Also Like
- Help And Resources
- Find In Store



Key Features

- #1 in Customer Satisfaction in the J.D. Power 2020 Laundry Appliances Satisfaction Study
- 5.0 cu. ft. I.E.C. Capacity
- ENERGY STAR® Certified
- Intuitive Controls
- Sanitize Cycle with Oxi

Color

White



Specifications

Width:
 6858.00, 27.0"
 Centimeters, Inches

Depth:
 8016.88, 31-9/16"
 Centimeters, Inches

Dimensions

Capacity	4-3/10
Depth	8016.88 cm, 31-9/16 in
Gross Weight	97068688.00 kg, 214 lbs
Net Weight	92532768.00 kg, 204 lbs
Width	6858.00 cm, 27.0 in

Appearance

LCD Touch Screen	No
Window	Yes

Details

Advanced Vibration Control™	No
Dispense System	Detergent, Fabric Softener & Bleach
Eco Monitor/Efficiency Monitor	No
Hoses Included	4ft 4in Drain Hose Included
Internal Heater	No
Maximum Spin Speed	1160
Out Of Balance Sensing	Yes
Water Factor	3-1/5

Cycles and Options

Number Of Wash Cycles	35
-----------------------	----

Electrical

Power Cord Included	Yes
---------------------	-----

Controls

Automatic Temperature Controls	Yes
Control Location	Front
LCD Touch Screen	No

Compatibility

Works With	No
------------	----

Options

Number Of Washer Options	7
--------------------------	---

Features

Stackable	Yes
Water Faucet	No

Cycles

Number Of Wash Cycles	35
-----------------------	----

Exterior

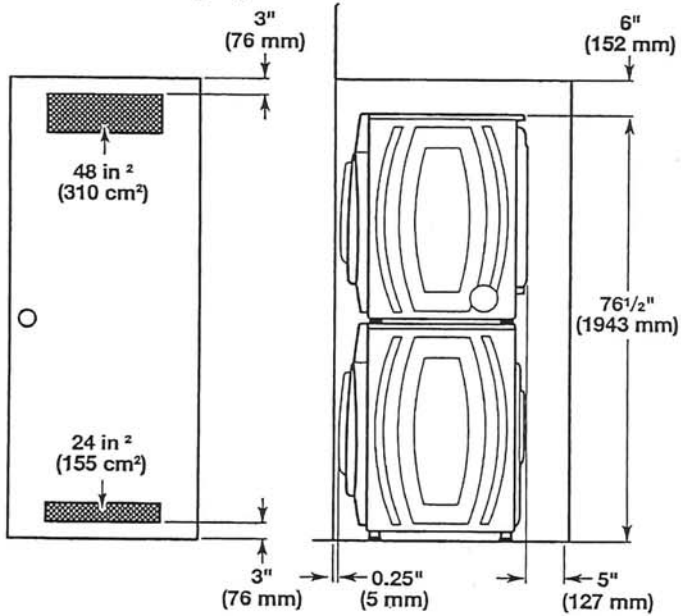
Lid/Door Lock	Yes
Lid/Door Swing	Left

Modifiers

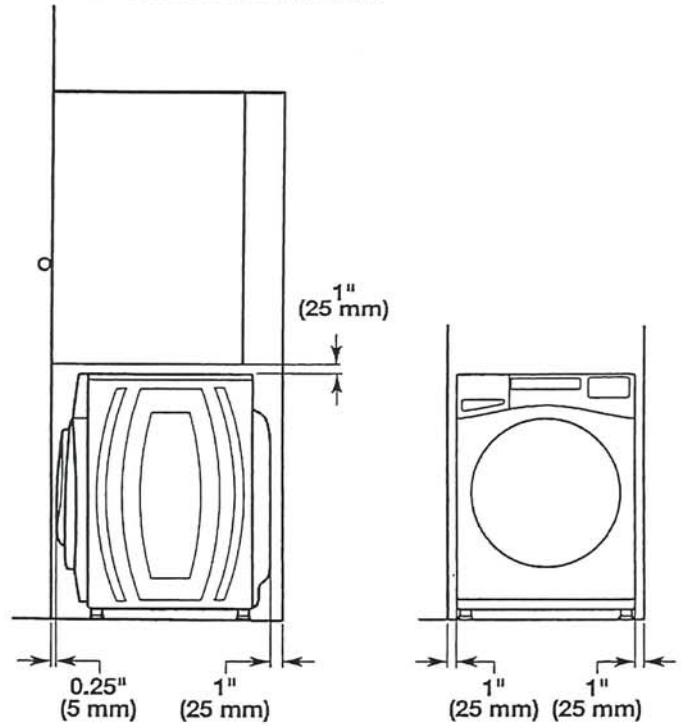
Delay Start	No
Number Of Rinse Options	2
Number Of Soil Levels	3
Number Of Spin Speeds	4
Number Of Wash/Rinse Temperatures	4
Pre Soak	Yes
Temperature Selections	Hot, Cold, Cool, Warm

10-T

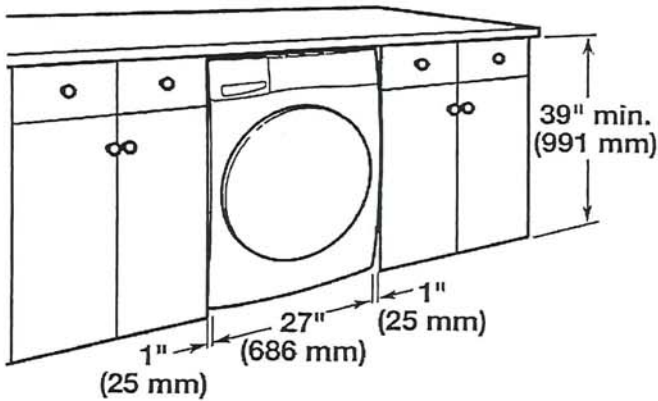
Recessed area or closet installation (stacked washer and dryer)



Custom cabinet installation



Custom under counter installation



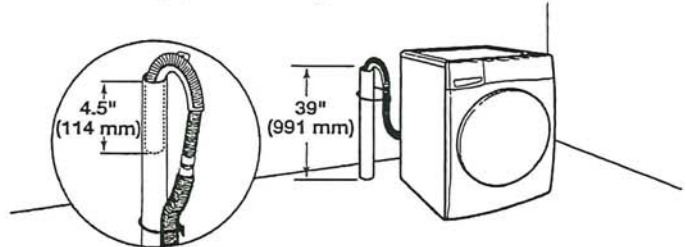
Drain System

It is the responsibility of the installer to install and secure the drain hose in to the provided plumbing/drain in a manner that will avoid the drain hose coming out of or leaking from the plumbing/drain.

Drain system can be installed using a floor drain, wall standpipe, floor standpipe, or laundry tub. Select the method you need.

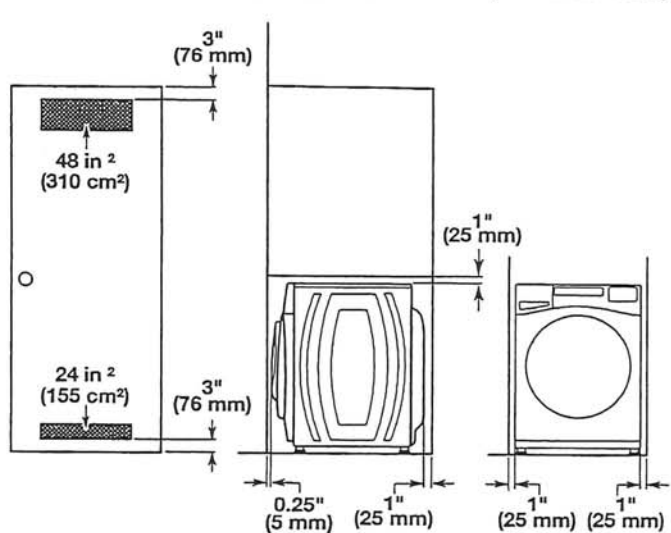
IMPORTANT: To avoid siphoning, only 4.5" (114 mm) of drain hose should be inside standpipe. Always secure drain hose with cable tie.

Floor standpipe drain system



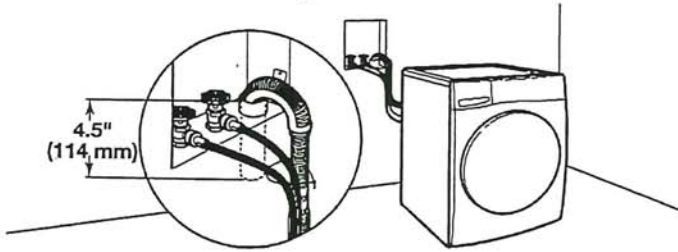
Minimum diameter for a standpipe drain: 2" (51 mm). Minimum carry-away capacity: 17 gallons (64 L) per minute. A 1/4" (6 mm) diameter to 1" (25 mm) diameter Standpipe Adapter Kit is available; refer to the Quick Start Guide for online ordering information. Top of standpipe must be at least 39" (762 mm) high; install no higher than 96" (2.4 m) from bottom of washer. If you have an overhead sewer and need to pump higher than 96" (2.4 m), a sump pump and associated hardware are needed. See "Alternate Parts."

Recessed area or closet installation (washer only)



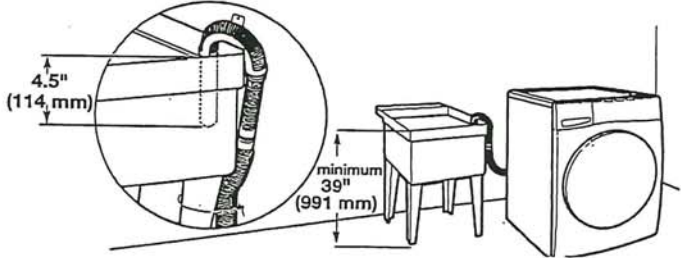
10-7

Wall standpipe drain system

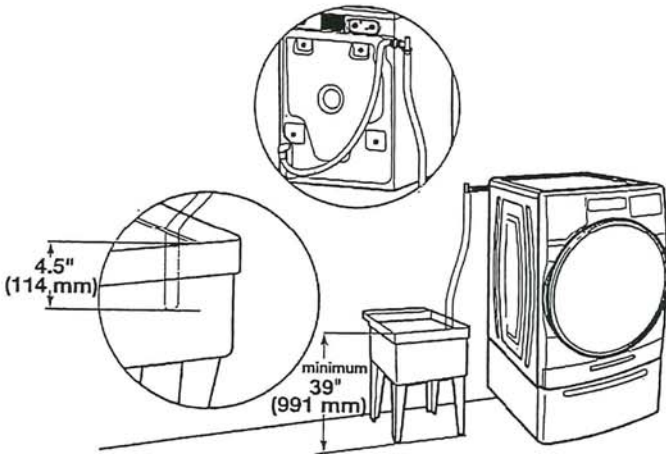


See requirements in "Floor standpipe drain system."

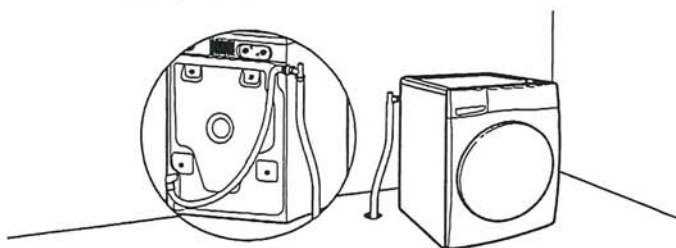
Laundry tub drain system



Minimum capacity: 20 gallons (76 L). Top of laundry tub must be at least 39" (991 mm) from the floor; install no higher than 96" (2.4 m) from bottom of washer.



Floor drain system



Floor drain system requires a Siphon Break Kit, 2 Connector Kits, and an Extension Drain Hose that may be purchased separately; refer to the Quick Start Guide for online ordering information. Minimum siphon break height: 28" (710 mm) from bottom of washer. (Additional hoses may be needed.)

Electrical Requirements

⚠ WARNING



Electrical Shock Hazard

- Plug into a grounded 3 prong outlet.
- Do not remove ground prong.
- Do not use an adapter.
- Do not use an extension cord.
- Failure to follow these instructions can result in death, fire, or electrical shock.

- A 120 V, 60 Hz, AC only, 15 or 20 A, fused electrical supply is required. A time-delay fuse or circuit breaker is recommended. It is recommended that a separate circuit breaker serving only this appliance be provided.
- This washer is equipped with a power supply cord having a 3-prong grounding plug.
- To minimize possible shock hazard, the cord must be plugged into a mating, 3-prong, grounding-type outlet, grounded in accordance with local codes and ordinances. If a mating outlet is not available, it is the personal responsibility and obligation of the customer to have the properly grounded outlet installed by a qualified electrician.
- If codes permit and a separate ground wire is used, it is recommended that a qualified electrician determine that the ground path is adequate.
- Do not ground to a gas pipe.
- Check with a qualified electrician if you are not sure the washer is properly grounded.
- Do not have a fuse in the neutral or ground circuit.

GROUNDING INSTRUCTIONS

For a grounded, cord-connected appliance:

This appliance must be grounded. In the event of a malfunction or breakdown, grounding will reduce the risk of electric shock by providing a path of least resistance for electric current. This appliance is equipped with a cord having an equipment-grounding conductor and a grounding plug. The plug must be plugged into an appropriate outlet that is properly installed and grounded in accordance with all local codes and ordinances.

WARNING: Improper connection of the equipment-grounding conductor can result in a risk of electric shock. Check with a qualified electrician or serviceman if you are in doubt as to whether the appliance is properly grounded. Do not modify the plug provided with the appliance: If it will not fit the outlet, have a proper outlet installed by a qualified electrician.

For a permanently connected appliance:

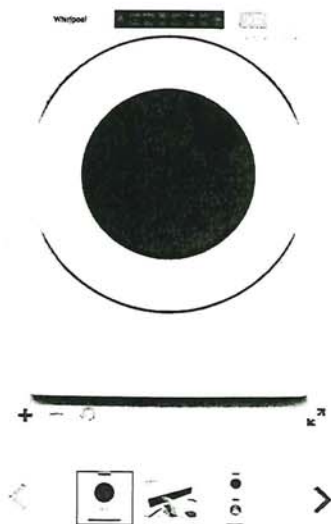
This appliance must be connected to a grounded metal, permanent wiring system, or an equipment-grounding conductor must be run with the circuit conductors and connected to the equipment-grounding terminal or lead on the appliance.

SAVE THESE INSTRUCTIONS

107

WHIRLPOOL DRYER Model #: YWED5620HW

Whirlpool Brand Canada English | Washer and Dryers | Dryers | Electric Dryers | YWED5620HW



Define Your Style

7.4 cu. ft. Front Load Electric Dryer with Intuitive Touch Controls

Whirlpool 7.4 cu. ft. Front Load Electric Dryer with Intuitive Touch Controls

Model #: YWED5620HW

Dimensions

Depth	78.74 cm, 31.0 in
Depth With Door Open 90 Degree	138.43 cm, 54-1/2 in
Height	98.42 cm, 38-3/4 in
Width	68.58 cm, 27.0 in

Configuration and Overview

Fuel Type	Electric
-----------	----------

Cycles and Options

Cycle Time Remaining	Yes
Lint Filter Indicator	No
Number of Dryer Cycles	36
Number of Dryness Levels	3

Ventilation System

Long Vent	No
Maximum Vent Length	64
Venting Direction	Left, Right, Bottom, Rear

Electrical

Hz	60
Power Cord Included	Yes

12-9