



**Customer Colours**

INVENTORY HOME\_55/  
 Project: Williamsburg Green  
 Unit: 55, Phase: 1  
 Model: 28-2660 C THE LEMONGRASS

Created: 9/4/2024 16:13:31

Locked:

Closed:

**Kitchen**

Cabinet Colour/Style	9533	Viking III-TRINITY LPL-FREE SPIRIT L580K ***STD***
Island Cabinet Colour/Style	9533	Viking III-TRINITY LPL-FREE SPIRIT L580K ***STD***
Cabinet Hardware	2086	9677-HARDWARE ***STD***
Countertop	9814	Group 2-Quartz-Caesarstone-ASHEN MARBLE # 7512-3/4 inch B/U MITERED EDGE ***2***
Island Countertop	9814	Group 2-Quartz-Caesarstone-ASHEN MARBLE # 7512-3/4 inch B/U MITERED EDGE ***2***
Countertop Edge	4007	GROUP 2 TO 7 - DOUBLE MITRE 1 1/2 INCH ***3***



- Please note some islands may require a seam as per manufacturer and fabricator discretions.

Opt. Crumb Vac Colour	1111	N/A *****									
Kitchen Sink	9488	Plumbing-KINDRED Kitchen Sink Collection - Reginox NS1930 U/9-Single Bowl Undermount Sink (or equivalent)-Stainless Steel	PG 32								
HoodFan	8894	SCB51430-CYCLONE 30 inch CANOPY CHIMNEY HOODFAN-STAINLESS STEEL *****	PG 42-43								
Opt. Backsplash	9459	SO.SB.LHT.0312.GL-Shadebrick-Light (Off White) Glossy-3 x 12 UPG 3 ***UPG***									
Opt. Backsplash Grout	9836	Grout-Eggshell #5220 ***STD***									
Opt. Backsplash Tile Pattern	3070	HORIZONTAL STACKED ***STD***									
		<table border="1" style="width: 100px; height: 100px;"> <tr><td> </td><td> </td></tr> <tr><td> </td><td> </td></tr> <tr><td> </td><td> </td></tr> <tr><td> </td><td> </td></tr> </table>									
Flooring	9358	Red Oak Pearl-Vintage Engineered-TITANIUM-3/4 inch x 3 1/4 inch ***UPG***									
Floor Tile Grout	1111	N/A *****									
Floor Tile Pattern	1111	N/A *****									

- Purchasers have been advised: standard fridge opening is a minimum 37 3/8 x 73 3/8 inches. Ice Waterline Rough-In is included.

- Standard stove opening is 30 inches and standard dishwasher opening is 24 inches. Any gas stove will require backsplash or stainless steel backing to avoid fire hazards.

- Purchasers acknowledge: Heathwood Homes and its contractors will not be responsible for any kitchen cabinet changes due to appliances dimension changes after sign-off.

Comment

**Hall and Closet (from Mud to Kitchen)**

Flooring	9103	GE.MD.LGR.1818.MT Madison Series Light Grey Matte 18 X 18 Matte ***1***
Floor Tile Grout	9839	Grout-Silver #5027 ***STD***

Customer Colours

INVENTORY HOME\_55/  
 Project: Williamsburg Green  
 Unit: 55, Phase: 1  
 Model: 28-2660 C THE LEMONGRASS

Created: 9/4/2024 16:13:31

Locked:

Closed:

Floor Tile Pattern	3000	STANDARD SQUARE ***STD***									
<table border="1"> <tr><td></td><td></td><td></td></tr> <tr><td></td><td></td><td></td></tr> <tr><td></td><td></td><td></td></tr> </table>											
Comment											

**Foyer**

Flooring	9103	GE.MD.LGR.1818.MT Madison Series Light Grey Matte 18 X 18 Matte ***1***									
Floor Tile Grout	9839	Grout-Silver #5027 ***STD***									
Floor Tile Pattern	3000	STANDARD SQUARE ***STD***									
<table border="1"> <tr><td></td><td></td><td></td></tr> <tr><td></td><td></td><td></td></tr> <tr><td></td><td></td><td></td></tr> </table>											
Comment											

**Powder Room**

Flooring	9103	GE.MD.LGR.1818.MT Madison Series Light Grey Matte 18 X 18 Matte ***1***									
Floor Tile Grout	9839	Grout-Silver #5027 ***STD***									
Floor Tile Pattern	3000	STANDARD SQUARE ***STD***									
<table border="1"> <tr><td></td><td></td><td></td></tr> <tr><td></td><td></td><td></td></tr> <tr><td></td><td></td><td></td></tr> </table>											
Plumbing Fixture (Colour)	1737	Plumbing Fixtures-WHITE ***STD***									
Opt. Vanity	1111	N/A *****									
Opt. Vanty Hardware	1111	N/A *****									
Opt. Vanity Countertop	1111	N/A *****									

**Mud Room**

Floor Tile	9103	GE.MD.LGR.1818.MT Madison Series Light Grey Matte 18 X 18 Matte ***1***									
Floor Tile Grout	9839	Grout-Silver #5027 ***STD***									
Floor Tile Pattern	3000	STANDARD SQUARE ***STD***									
<table border="1"> <tr><td></td><td></td><td></td></tr> <tr><td></td><td></td><td></td></tr> <tr><td></td><td></td><td></td></tr> </table>											
Comment											

Customer Colours

INVENTORY HOME\_55/  
 Project: Williamsburg Green  
 Unit: 55, Phase: 1  
 Model: 28-2660 C THE LEMONGRASS

Created: 9/4/2024 16:13:31

Locked:

Closed:

**Dining Room**

Flooring	9358	Red Oak Pearl-Vintage Engineered-TITANIUM-3/4 inch x 3 1/4 inch ***STD***
Comment		

**Great Room**

Flooring	9358	Red Oak Pearl-Vintage Engineered-TITANIUM-3/4 inch x 3 1/4 inch ***STD***
Comment		

**Great Room Fireplace**

Type	8869	Majestic MERC32 ***STD***
Mantle	9114	NF 15-Paint Grade Mantle- Cabinet (Per Plan)-WHITE ***STD***
Opt. Surround	1111	N/A *****

PG 31

- Purchasers have been advised: heat from the FP can damage TV above a FP and items placed on mantle.

- Heathwood and its contractors will not be liable for any damage on items placed and / or installed above a FP after closing.

Comment		
---------	--	--

**Main Hall (from Foyer to Dining)**

Flooring	9358	Red Oak Pearl-Vintage Engineered-TITANIUM-3/4 inch x 3 1/4 inch ***STD***
Comment		

**Upper Hall**

Flooring	9358	Red Oak Pearl-Vintage Engineered-TITANIUM-3/4 inch x 3 1/4 inch ***UPG***
Comment		

**Laundry Room**

Floor Tile	9106	GE.MD.WHT.1818.MT Madison Series White Matte 18 X 18 Matte ***1***									
Floor Tile Grout	9837	Grout-Warm Grey #5093 ***STD***									
Floor Tile Pattern	3000	STANDARD SQUARE ***STD***									
		<table border="1"> <tr><td></td><td></td><td></td></tr> <tr><td></td><td></td><td></td></tr> <tr><td></td><td></td><td></td></tr> </table>									
Cabinet Colour/Style - Uppers	9111	Viking III-SIMCOE ORCHID 3DL ***STD***									
Cabinet Hardware - Uppers	2076	181-HARDWARE ***STD***									

INVENTORY HOME\_55/  
 Project: Williamsburg Green  
 Unit: 55, Phase: 1  
 Model: 28-2660 C THE LEMONGRASS

Created: 9/4/2024 16:13:31

Locked:

Closed:

Cabinet Colour/Style - Base	9111	Viking III-SIMCOE ORCHID 3DL ***STD***
Cabinet Hardware - Base	2076	181-HARDWARE ***STD***
Countertop	8796	6698-46-Countertop-PALOMA POLAR ETCHINGS FINISH-Formica ***STD***
Opt. Countertop Edge	1111	N/A *****

Comment

**Principal Suite and Walk-in Closets**

Flooring	9504	87354-MINOTAUR-OVERCAST-40 oz Poly ***STD***
----------	------	--

Comment

**Bedroom 2 and Walk-in Closet**

Flooring	9504	87354-MINOTAUR-OVERCAST-40 oz Poly ***STD***
----------	------	--

Comment

**Bedroom 3**

Flooring	9504	87354-MINOTAUR-OVERCAST-40 oz Poly ***STD***
----------	------	--

Comment

**Bedroom 4**

Flooring	9504	87354-MINOTAUR-OVERCAST-40 oz Poly ***STD***
----------	------	--

Comment

**Principal Ensuite**

Cabinet Colour/Style	9156	Viking III-SIMCOE-RAIN CLOUD-3DL ***STD***
Cabinet Hardware	7672	135-HARDWARE ***STD***
Countertop	9806	Group 1-Quartz-Caesarstone-WHITE SAND # 7041-3/4 inch ***STD IN PRINCIPAL ENSUITE ONLY***
Countertop Edge	4010	SINGLE POLISHED STRAIGHT EDGE 3/4 INCH ***STD***



Floor Tile	9762	DC.NE.GRG.1224.MT-Neopolis-Grigio Matte-12 x 24 floor tile directions SEE SKETCH ***3***
------------	------	---

Floor Tile Grout	9840	Grout-Beard Gray #5019 ***STD***
------------------	------	----------------------------------

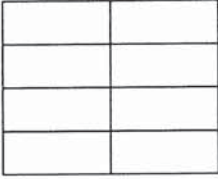
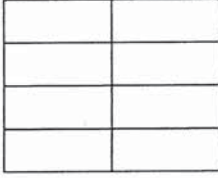
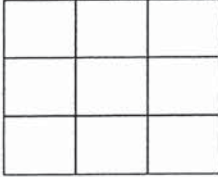
Customer Colours

INVENTORY HOME\_55/  
 Project: Williamsburg Green  
 Unit: 55, Phase: 1  
 Model: 28-2660 C THE LEMONGRASS

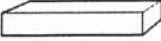
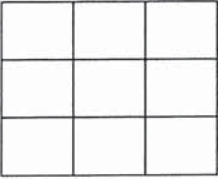
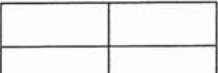
Created: 9/4/2024 16:13:31

Locked:

Closed:

Floor Tile Grout	9070	Grout-Eggshell #5220 ***STD***
Floor Tile Pattern	3050	SIDE TO SIDE ***STD*** 
Shower Wall and Ceiling Tile	9020	QT.WV.WHT.0810-Weave-White-8 x 10 ***STD***
Shower Wall and Ceiling Tile Grout	9836	Grout-Eggshell #5220 ***STD***
Shower Wall and Ceiling Tile Pattern	3070	HORIZONTAL STACKED ***STD*** 
Shower Floor Tile	8661	OD.ON.SWT.0202.MT.N-Ontario Series Mosaic-Snow White Matte-2 x 2 ***STD***
Shower Floor Tile Grout	9836	Grout-Eggshell #5220 ***STD***
Shower Floor Tile Pattern	3000	STANDARD SQUARE ***STD*** 
Shower Jamb(s) and Sill(s)	8923	Shower Jamb / Sill-Thassos White ***STD***
Plumbing Fixture (colour)	1737	Plumbing Fixtures-WHITE ***STD***
Comment		

**Ensuite 4**

Cabinet Colour/Style	9111	Viking III-SIMCOE ORCHID 3DL ***STD***
Cabinet Hardware	2084	171-HARDWARE ***STD***
Countertop	9809	Group 1-Quartz-Caesarstone-GREY CINDER # 7204-3/4 inch ***STD in PRINCIPLE ENSUITE ONLY***
Opt. Countertop Edge	4010	GROUP 1 - SINGLE POLISHED STRAIGHT EDGE 3/4 INCH ***1*** 
Floor Tile	8623	GE.CM.GRY.1313-Corte Milia-Grey-13 x 13 ***STD***
Floor Tile Grout	9839	Grout-Silver #5027 ***STD***
Floor Tile Pattern	3000	STANDARD SQUARE ***STD*** 
Wall and Ceiling Tile	9022	QT.WV.TGR.0810-Weave-Tender Grey-8 x 10 ***STD***
Wall and Ceiling Tile Grout	9836	Grout-Eggshell #5220 ***STD***
Wall and Ceiling Tile Pattern	3070	HORIZONTAL STACKED ***STD*** 

INVENTORY HOME\_55/  
 Project: Williamsburg Green  
 Unit: 55, Phase: 1  
 Model: 28-2660 C THE LEMONGRASS

Created: 9/4/2024 16:13:31

Locked:

Closed:


Shower Floor Tile 8661 OD.ON.SWT.0202.MT.N-Ontario Series Mosaic-Snow White Matte-2 x 2 \*\*\*STD\*\*\*

Shower Floor Tile Grout 9836 Grout-Eggshell #5220 \*\*\*STD\*\*\*

Shower Floor Tile Pattern 3000 STANDARD SQUARE \*\*\*STD\*\*\*


Shower Jamb(s) and Sill(s) 8923 Shower Jamb / Sill-Thassos White \*\*\*STD\*\*\*

Plumbing Fixture (colour) 1737 Plumbing Fixtures-WHITE \*\*\*STD\*\*\*

Comment

**Shared Bath**

Cabinet Colour/Style 9156 Viking III-SIMCOE-RAIN CLOUD-3DL \*\*\*STD\*\*\*

Lower Level Recreation Room Countertop 2084 171-HARDWARE \*\*\*STD\*\*\*

9807 Group 1-Quartz-Caesarstone-ROCK SALT # 7601-3/4 inch \*\*\*STD in PRINCIPLE ENSUITE ONLY\*\*\*

Opt. Countertop Edge 4010 GROUP 1 - SINGLE POLISHED STRAIGHT EDGE 3/4 INCH \*\*\*1\*\*\*



Floor Tile 9439 TH.CT.LGR.1212.MT-Construct-Light Grey Matte-12 x 12 STD \*\*\*STD\*\*\*

Floor Tile Grout 9839 Grout-Silver #5027 \*\*\*STD\*\*\*

Floor Tile Pattern 3000 STANDARD SQUARE \*\*\*STD\*\*\*


Wall Tile 9020 QT.WV.WHT.0810-Weave-White-8 x 10 \*\*\*STD\*\*\*

Wall Tile Grout 9836 Grout-Eggshell #5220 \*\*\*STD\*\*\*

Wall Tile Pattern 3070 HORIZONTAL STACKED \*\*\*STD\*\*\*


Opt. Shower Floor Tile 1111 N/A \*\*\*\*\*

Opt. Shower Floor Tile Grout 1111 N/A \*\*\*\*\*

Opt. Shower Floor Tile Pattern 1111 N/A \*\*\*\*\*

Opt. Shower Jamb(s) and Sill(s) 1111 N/A \*\*\*\*\*

Customer Colours

INVENTORY HOME\_55/  
 Project: Williamsburg Green  
 Unit: 55, Phase: 1  
 Model: 28-2660 C THE LEMONGRASS

Created: 9/4/2024 16:13:31

Locked:

Closed:

Opt. Wall and Ceiling Tile	1111	N/A *****
Opt. Wall and Ceiling Tile Grout	1111	N/A *****
Opt. Wall and Ceiling Tile Pattern	1111	N/A *****

Plumbing Fixture (colour)	1737	Plumbing Fixtures-WHITE ***STD***
Comment		

**Lower Level Recreation Room**

Flooring	9504	87354-MINOTAUR-OVERCAST-40 oz Poly ***STD***
Comment	"SPACES" KITCHEN CABINETS VIK III TRINITY LPL FREE SPIRIT L580K WITH 9677 HANDLES AND WHITE SAND 3/4" STRAIGHT EDGE QUARTZ COUNTERTOPS - LAUNDRY CLOSET 13 X 13 CORTE MILIA SILVER FLOOR TILES WITH SILVER (5027) GROUT	

**Lower Level Recreation Room Fireplace**

Type	8865	Dimplex-Electric Fireplace-PF3033HL ***STD***
Mantle	9114	NF 15-Paint Grade Mantle- Cabinet (Per Plan)-WHITE ***STD***
Opt. Surround	1111	N/A *****

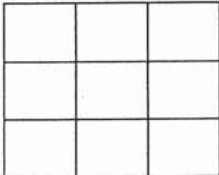
PG 31

- Purchasers have been advised: heat from the FP can damage TV above a FP and items placed on mantle.

- Heathwood and its contractors will not be liable for any damage on items placed and / or installed above a FP after closing.

Comment		
---------	--	--

**Lower Level Bathroom**

Cabinet Colour/Style	9156	Viking III-SIMCOE-RAIN CLOUD-3DL ***STD***
Cabinet Hardware	2084	171-HARDWARE ***STD***
Countertop	9806	Group 1-Quartz-Caesarstone-WHITE SAND # 7041-3/4 inch ***STD IN PRINCIPAL ENSUITE ONLY***
Opt. Countertop Edge	4010	GROUP 1 - SINGLE POLISHED STRAIGHT EDGE 3/4 INCH ***1***
Floor Tile	5480	GE.CM.SIL.1313-Corte Milia-Silver-13 x 13 ***STD***
Floor Tile Grout	9839	Grout-Silver #5027 ***STD***
Floor Tile Pattern	3000	STANDARD SQUARE ***STD***
		
Shower Wall and Ceiling Tile	5404	GE.CM.SIL.0810-Corte Milia-Silver-8 inch x 10 inch ***STD***



Customer Colours

INVENTORY HOME\_55/  
 Project: Williamsburg Green  
 Unit: 55, Phase: 1  
 Model: 28-2660 C THE LEMONGRASS

Created: 9/4/2024 16:13:31

Locked:

Closed:

Shower Wall and Ceiling Grout	9836	Grout-Eggshell #5220 ***STD***									
Shower Wall and Ceiling Pattern	3070	HORIZONTAL STACKED ***STD***									
		<table border="1"> <tr><td></td><td></td></tr> <tr><td></td><td></td></tr> <tr><td></td><td></td></tr> <tr><td></td><td></td></tr> </table>									
Shower Floor Tile	8661	OD.ON.SWT.0202.MT.N-Ontario Series Mosaic-Snow White Matte-2 x 2 ***STD***									
Shower Floor Tile Grout	9836	Grout-Eggshell #5220 ***STD***									
Shower Floor Tile Pattern	3000	STANDARD SQUARE ***STD***									
		<table border="1"> <tr><td></td><td></td><td></td></tr> <tr><td></td><td></td><td></td></tr> <tr><td></td><td></td><td></td></tr> </table>									
Shower Jamb(s) and Sill(s)	8923	Shower Jamb / Sill-Thassos White ***STD***									
Plumbing Fixture (colour)	1737	Plumbing Fixtures-WHITE ***STD***									
Comment											

**Main Stairs**

Type	1714	Oak Stairs ***STD MAIN STAIRS***
Colour	9805	Titanium STAIN TO COMPLIMENT HARDWOOD AND WILL VARY FROM FLOORING ***99***
Handrail/Pickets/Posts Type	7652	1 5/16 inch Square pickets with 3 1/2 Square/Cap Post(s)-ALL OAK ***STD***
Handrail/Pickets/Posts Location	1728	Oak Grade-Stain handrail,oak pickets,stringers,treads,risers
Custom Stain/Paint	1111	N/A *****
Landing(s)	9555	Red Oak Pearl-Vintage Solid Sawn Sculpted Character-TITANIUM-3/4 in x 5 in ***UPG***
Opt. Carpet Runner	1111	N/A *****
Comment		

**Lower Level Stairs**

Type	1712	Oak Stairs ***1 BASEMENT STAIRS***
Colour	9805	Titanium STAIN TO COMPLIMENT HARDWOOD AND WILL VARY FROM FLOORING ***99***
Handrail/Pickets/Posts Type	9119	Handrail only on closed walls (one or two sides per building code) ***STD***
Handrail/Pickets/Posts Location	1728	Oak Grade-Stain handrail,oak pickets,stringers,treads,risers
Custom Stain/Paint	1111	N/A *****
Landing(s)	1111	N/A *****
Opt. Carpet Runner	1111	N/A *****

Customer Colours

INVENTORY HOME\_55/  
Project: Williamsburg Green  
Unit: 55, Phase: 1  
Model: 28-2660 C THE LEMONGRASS

Created: 9/4/2024 16:13:31

Locked:

Closed:

Comment

Throughout

Switches and Plug	5796	Decora White Switches and Plugs ***STD***
Thresholds	2232	Metal Thresholds ***STD***
Underpad	1079	500 Series-Underpad ***STD***
Trim Size	8705	4 1/4 Baseboard and 2 3/4 Casings ***STD***
Trim - Paint Colour	1716	Trim-WHITE ***STD***
Walls - Paint Colour	1717	22-Wall-WARM GREY ***STD***

Comment

Purchaser: INVENTORY MODEL HOME SEPT 13/24  
INVENTORY HOME\_55 Date

MARILYN ROSEN SEPT 13/24  
Decor Consultant Date

Purchaser: \_\_\_\_\_  
Date

M. Rosen  
Williamsburg Green  
-09-13-2024  
Date Approved



## CONSTRUCTION SUMMARY

**Lot: 55**

**Model: 28-2660 C THE LEMONGRASS**

**Project/Phase: Williamsburg Green / 1**

Offer	This Lot requires a Deck due to Grades.
Worksheet	Note:



## CONSTRUCTION SUMMARY

**Lot: 55**

**Model: 28-2660 C THE LEMONGRASS**

**Project/Phase: Williamsburg Green / 1**

### APPLIANCES

Invoice	Qty.	Description
1755 25Sep24 NoCat	1.0	- APPLIANCES AS PER WILLIAMSBURG SINGLE HOME PACKAGE SEE SPECS  INCLUDING APPLIANCES AS PER SPACES V2 KITCHENETTE /LAUNDRY CLOSET SEE SPECS
1755 25Sep24 ** NoCat	1.0	- "SPACES" PLAN WITH KITCHENETTE IN FINISHED LOWER LEVEL REC ROOM  SKETCH #' 1 AND 2

### CABINETRY

Invoice	Qty.	Description
1755 362,655 25Sep24	1.0	KITCHEN - CABINETRY-32H-WALL CABINET WITH SHELF FOR MICROWAVE (FINISHED INTERIOR) (OPENING 24INW X 13 3/4INH X 17IND) (NOT AVAILABLE IN SOME LAMINATES) VIKING  SEE SKETCH # 3 AND 4
1755 362,514 25Sep24	2.0	KITCHEN - CABINETRY-10B-KITCHEN POTS AND PANS (3) DRAWERS (WIDTH MIN. 60CM/MAX. 90CM) (SIZE SUBJECT TO FLOOR PLAN) VIKING  SKETCH # 4
1755 362,520 25Sep24	1.0	KITCHEN - CABINETRY-15B-PER UNIT 45CM WIDE PULL-OUT DOOR BASE CABINET WASTE/RECYCLE CENTRE WITH SOFT-CLOSE ([2] 35L BINS) (AVAILABLE ONLY WITH 45CM WIDE CABINET) VIKING  SKETCH # 4 SEE SPEC
1755 375,414 25Sep24	1.0	KITCHEN - CABINETRY-OPT.LIGHT VALANCE (INCLUDE LIGHTING) -UPG  <b>ELECTRICAL-Complete Kitchen valance light including switch (Luminiz LED slimline strip light)</b>
1755 362,901 25Sep24 **	3.0	- PLUMBING-AMERICAN STANDARD-SINK OPTIONS-UNDERMOUNT SINK-OVALYN MODEL 0496 221 020 (19 INCH X 16 INCH) -  3 X FOR ENSUITE 4 , SHARED AND FINISHED LOWER LEVEL BATHROOMS SEE SPEC <b>SEE SPECS</b>
1755 25Sep24 ** NoCat	1.0	- "SPACES" PLAN WITH KITCHENETTE IN FINISHED LOWER LEVEL REC ROOM  SKETCH #' 1 AND 2
1755 364,379 25Sep24 **	1.0	Opt. Bed 4 ensuite - GRANITE-GROUP 1-OPT. BED 4 ENSUITE-UPG  <b>CABINETRY-delete std countertop; GRANITE-see Specs for upgraded single hole faucet and upgraded undermou</b>
1755 364,371 25Sep24 **	1.0	Opt. Shared Bath - GRANITE-GROUP 1-OPT. SHARED BATH-UPG  <b>CABINETRY-delete std countertop; GRANITE-see Specs for upgraded single hole faucet and upgraded undermou</b>
1755 364,363 25Sep24 **	1.0	Opt. Lower Bath - GRANITE-GROUP 1-OPT. LOWER BATH-UPG  <b>CABINETRY-delete std countertop; GRANITE-see Specs for upgraded single hole faucet and upgraded undermou</b>
1755 373,300 25Sep24 **	1.0	Opt. Kitchen/Breakfast - HARDWOOD-3/4 x 3 1/4 IN RED OAK NSS SELECT V-OPT. KITCHEN/BREAKFAST  <b>CABINETRY-Raise Cabinet; CERAMICS-Delete Std Ceramics</b>



## CONSTRUCTION SUMMARY

**Lot: 55**  
**Model: 28-2660 C THE LEMONGRASS**  
**Project/Phase: Williamsburg Green / 1**

### CABINETRY

Invoice	Qty.	Description
1755 362,576 25Sep24	1.0	MASTER ENSUITE - CABINETRY-15D-VANITY BANK OF DRAWERS (3) (MAX. WIDTH 55CM) VIKING  IN LIEU OF SINGLE TOP DRAWER SKETCH # 6

### CARPET

Invoice	Qty.	Description
1755 375,594 25Sep24 **	1.0	- INTERIOR STAIRS-UPGRADE BASEMNT STAIR TO OAK-UPG  <b>CARPET-Delete Std Carpet Stairs; HARDWOOD-Supply and install Hardwood at Landing(s); PAINTING-Paint stairs</b>
1755  25Sep24 ** NoCat	1.0	- "SPACES" PLAN WITH KITCHENETTE IN FINISHED LOWER LEVEL REC ROOM  SKETCH #' 1 AND 2
1755  25Sep24 ** NoCat	1.0	- OPTIONAL SIDE DOOR TO FINISHED BASEMENT  SKETCH # 3
1755 373,318 25Sep24 **	1.0	Opt. Upper Hall - HARDWOOD-3/4 x 3 1/4 IN RED OAK NSS SELECT V-OPT. UPPER HALL  <b>CARPET-delete std carpet; INTERIOR TRIM-supply and install quarter rounds; PAINTING-paint quarter round</b>

### CERAMIC

Invoice	Qty.	Description
1755 371,540 25Sep24	1.0	FOYER - CERAMICS-FLOOR -UG 1-FOYER
1755 371,560 25Sep24	1.0	MUDROOM and Hallway in Front of Powder - CERAMICS-FLOOR -UG 1-MUDROOM AND HALLWAY IN FRONT OF POWDER
1755 371,550 25Sep24	1.0	POWDER ROOM - CERAMICS-FLOOR -UG 1-POWDER ROOM
1755 371,600 25Sep24	1.0	LAUNDRY - CERAMICS-FLOOR -UG 1-LAUNDRY
1755 371,592 25Sep24	1.0	PRINCIPAL ENSUITE - CERAMICS-FLOOR -UG 3-PRINCIPAL ENSUITE
1755 371,522 25Sep24	1.0	KITCHEN - CERAMICS-OPT. BACKSPLASH-UG 3-KITCHEN



## CONSTRUCTION SUMMARY

**Lot: 55**  
**Model: 28-2660 C THE LEMONGRASS**  
**Project/Phase: Williamsburg Green / 1**

### CERAMICS

Invoice	Qty.	Description
1755 25Sep24 ** NoCat	1.0	- "SPACES" PLAN WITH KITCHENETTE IN FINISHED LOWER LEVEL REC ROOM  SKETCH #' 1 AND 2
1755 373,300 25Sep24 **	1.0	Opt. Kitchen/Breakfast - HARDWOOD-3/4 x 3 1/4 IN RED OAK NSS SELECT V-OPT. KITCHEN/BREAKFAST  <b>CABINETRY-Raise Cabinet; CERAMICS-Delete Std Ceramics</b>
1755 375,658 25Sep24	1.0	- CERAMICS - ADDITIONAL BACKSPLASH DUE TO UPGRADE CHIMNEY HOODFAN IN KITCHEN - KITCHEN - UPGRADE 3

### COFFERED CEILING

Invoice	Qty.	Description
1755 363,402 25Sep24	1.0	GREAT ROOM - COFFERED CEILING - OPT. COFFERED CEILING - GREAT ROOM - UPG  SKETCH # 3 <b>DRYWALL-Notify; FRAMING-Notify; PAINTING-Notify</b>
1755 363,405 25Sep24	1.0	DINING ROOM - COFFERED CEILING - OPT. COFFERED CEILING - DINING ROOM - UPG  SKETCH # 3 <b>DRYWALL-Notify; FRAMING-Notify; PAINTING-Notify</b>

### CONCRETE AND DRAIN

Invoice	Qty.	Description
1755 25Sep24 ** NoCat	1.0	- "SPACES" PLAN WITH KITCHENETTE IN FINISHED LOWER LEVEL REC ROOM  SKETCH #' 1 AND 2



## CONSTRUCTION SUMMARY

**Lot: 55**

**Model: 28-2660 C THE LEMONGRASS**

**Project/Phase: Williamsburg Green / 1**

### DRYWALL

Invoice	Qty.	Description
1755 363,402 25Sep24 **	1.0	GREAT ROOM - COFFERED CEILING - OPT. COFFERED CEILING - GREAT ROOM - UPG  SKETCH # 3 <b>DRYWALL-Notify; FRAMING-Notify; PAINTING-Notify</b>
1755 363,405 25Sep24 **	1.0	DINING ROOM - COFFERED CEILING - OPT. COFFERED CEILING - DINING ROOM - UPG  SKETCH # 3 <b>DRYWALL-Notify; FRAMING-Notify; PAINTING-Notify</b>
1755 363,410 25Sep24 **	1.0	- CLASSIC COLLECTION SCHEDULE A - Choice of 20 LED (3000K) pot lights in finished areas (Second Floor Potlight(s) Require Smooth Ceiling) DRYWALL-Drywall Ceiling cutouts for potlights FRAMING-Frame to accommodate potlights 6 x DINING ROOM ON SEPARATE SWITCH , 7 X KITCHEN ON EXISTING 4 WAY SWITCH, 8 X GREAT ROOM USE EXISTING SWITCH FOR PLUG (TOTAL OF 21) SEE ADDITIONAL POT LIGHTS SKETCH # 3
1755  25Sep24 ** NoCat	1.0	- "SPACES" PLAN WITH KITCHENETTE IN FINISHED LOWER LEVEL REC ROOM  SKETCH #' 1 AND 2
1755  25Sep24 ** NoCat	1.0	- OPTIONAL SIDE DOOR TO FINISHED BASEMENT  SKETCH # 3
1755 363,307 25Sep24	1.0	- DRYWALL - SMOOTH CEILING - FINISHED LOWER LEVEL - UPG  <b>PAINTING-Paint smooth ceiling</b>



## CONSTRUCTION SUMMARY

**Lot: 55**

**Model: 28-2660 C THE LEMONGRASS**

**Project/Phase: Williamsburg Green / 1**

### ELECTRICAL

Invoice	Qty.	Description
1755 362,655 25Sep24 **	1.0	KITCHEN - CABINERY-32H-WALL CABINET WITH SHELF FOR MICROWAVE (FINISHED INTERIOR) (OPENING 24INW X 13 3/4INH X 17IND) (NOT AVAILABLE IN SOME LAMINATES) VIKING  SEE SKETCH # 3 AND 4
1755 375,414 25Sep24 **	1.0	KITCHEN - CABINERY-OPT.LIGHT VALANCE (INCLUDE LIGHTING) -UPG  <b>ELECTRICAL-Complete Kitchen valance light including switch (Luminiz LED slimline strip light)</b>
1755 362,858 25Sep24 **	1.0	KITCHEN - HEATING / AIR CONDITIONING-ROUGH-IN GAS LINE FOR GAS STOVE AT MAIN FLOOR (SEE SPECS) (HOOK-UP NOT INCLUDED) LEAVE STANDARD 120 VOLT ELECTRICAL OUTLET ON A SEPARATE CIRCUIT. * SPECIFY IF STANDARD 220V WILL STAY OR BE RELOCATED STANDARD 220V WILL STAY SKETCH # 3 AND 4 <b>ELECTRICAL-Notify</b>
1755 363,235 25Sep24	1.0	KITCHEN - ELECTRICAL-ADDITIONAL 120V 15AMP DIRECT LINE (ARC FAULT)  FOR MICROWAVE SHELF BESIDE FRIDGE SKETCH # 3 AND 4
1755 363,410 25Sep24	1.0	- CLASSIC COLLECTION SCHEDULE A - Choice of 20 LED (3000K) pot lights in finished areas (Second Floor Potlight(s) Require Smooth Ceiling) DRYWALL-Drywall Ceiling cutouts for potlights FRAMING-Frame to accommodate potlights 6 x DINING ROOM ON SEPARATE SWITCH , 7 X KITCHEN ON EXISTING 4 WAY SWITCH, 8 X GREAT ROOM USE EXISTING SWITCH FOR PLUG (TOTAL OF 21) SEE ADDITIONAL POT LIGHTS SKETCH # 3
1755 395,465 25Sep24	2.0	- ELECTRICAL-SUPPLY AND INSTALL RECESSED PLUG ON EXISTING CIRCUIT  INSTALL 1 X ABOVE GREAT ROOM FIREPLACE 70"+/- FROM FLOOR AND 1 X ABOVE REC ROOM FIREPLACE 70" +/- FROM FLOOR SKETCH #' 1 AND 3
1755 363,262 25Sep24	1.5	- ELECTRICAL-POTLIGHT BUNDLE - 8 X 4 IN SLIM RECESSED LED DOWNLIGHT WHITE TRIM (3000K) MODEL DWS4303 INCLUDES 2 SWITCHES DRYWALL-Drywall/Ceiling cutouts for potlights; FRAMING-Frame to accommodate potlights INSTALL 8 X RECREATION ROOM ON SEPARATE SWITCH 3 X RECREATION ROOM BY KITCHENETTE ON SEPARATE SWITCH AND 1 X ADDITIONAL POT LIGHT ON MAIN FLOOR FROM 20 POT LIGHT PACKAGE SKETCH # 1 AND 3
1755 25Sep24 ** NoCat	1.0	- "SPACES" PLAN WITH KITCHENETTE IN FINISHED LOWER LEVEL REC ROOM  SKETCH #' 1 AND 2
1755 25Sep24 ** NoCat	1.0	- OPTIONAL SIDE DOOR TO FINISHED BASEMENT  SKETCH # 3
1755 363,261 25Sep24	3.0	KITCHEN - ELECTRICAL-RELOCATION OF SWITCHES/LIGHTS  RELOCATE 3 STANDARD KITCHEN LIGHTS TO BE CAPPED CEILING ABOVE KITCHEN ISLAND ON SEPARATE SWITCH FROM POT LIGHT PACKAGE SKETCH # 4





## CONSTRUCTION SUMMARY

**Lot: 55**  
**Model: 28-2660 C THE LEMONGRASS**  
**Project/Phase: Williamsburg Green / 1**

### EXTERIOR BRICK

Invoice	Qty.	Description
1755	1.0	- "SPACES" PLAN WITH KITCHENETTE IN FINISHED LOWER LEVEL REC ROOM
25Sep24 ** NoCat		SKETCH #' 1 AND 2
1755	1.0	- OPTIONAL SIDE DOOR TO FINISHED BASEMENT
25Sep24 ** NoCat		SKETCH # 3

### EXTERIOR CAULKING

Invoice	Qty.	Description
1755	1.0	- "SPACES" PLAN WITH KITCHENETTE IN FINISHED LOWER LEVEL REC ROOM
25Sep24 ** NoCat		SKETCH #' 1 AND 2
1755	1.0	- OPTIONAL SIDE DOOR TO FINISHED BASEMENT
25Sep24 ** NoCat		SKETCH # 3

### FIREPLACE AND MANTLE

Invoice	Qty.	Description
1755	1.0	- "SPACES" PLAN WITH KITCHENETTE IN FINISHED LOWER LEVEL REC ROOM
25Sep24 ** NoCat		SKETCH #' 1 AND 2

### FORMING

Invoice	Qty.	Description
1755	1.0	- "SPACES" PLAN WITH KITCHENETTE IN FINISHED LOWER LEVEL REC ROOM
25Sep24 ** NoCat		SKETCH #' 1 AND 2
1755	1.0	- OPTIONAL SIDE DOOR TO FINISHED BASEMENT
25Sep24 ** NoCat		SKETCH # 3



## CONSTRUCTION SUMMARY

**Lot: 55**

**Model: 28-2660 C THE LEMONGRASS**

**Project/Phase: Williamsburg Green / 1**

### FRAMING

Invoice	Qty.	Description
1755 363,402 25Sep24 **	1.0	GREAT ROOM - COFFERED CEILING - OPT. COFFERED CEILING - GREAT ROOM - UPG  SKETCH # 3 <b>DRYWALL-Notify; FRAMING-Notify; PAINTING-Notify</b>
1755 363,405 25Sep24 **	1.0	DINING ROOM - COFFERED CEILING - OPT. COFFERED CEILING - DINING ROOM - UPG  SKETCH # 3 <b>DRYWALL-Notify; FRAMING-Notify; PAINTING-Notify</b>
1755 363,410 25Sep24 **	1.0	- CLASSIC COLLECTION SCHEDULE A - Choice of 20 LED (3000K) pot lights in finished areas (Second Floor Potlight(s) Require Smooth Ceiling) DRYWALL-Drywall Ceiling cutouts for potlights FRAMING-Frame to accommodate potlights 6 x DINING ROOM ON SEPARATE SWITCH , 7 X KITCHEN ON EXISTING 4 WAY SWITCH, 8 X GREAT ROOM USE EXISTING SWITCH FOR PLUG (TOTAL OF 21) SEE ADDITIONAL POT LIGHTS SKETCH # 3
1755  25Sep24 ** NoCat	1.0	- "SPACES" PLAN WITH KITCHENETTE IN FINISHED LOWER LEVEL REC ROOM  SKETCH #' 1 AND 2
1755  25Sep24 ** NoCat	1.0	- OPTIONAL SIDE DOOR TO FINISHED BASEMENT  SKETCH # 3



## CONSTRUCTION SUMMARY

**Lot: 55**

**Model: 28-2660 C THE LEMONGRASS**

**Project/Phase: Williamsburg Green / 1**

### GRANITE

Invoice	Qty.	Description
1755 362,901 25Sep24 **	3.0	- PLUMBING-AMERICAN STANDARD-SINK OPTIONS-UNDERMOUNT SINK-OVALYN MODEL 0496 221 020 (19 INCH X 16 INCH) -  3 X FOR ENSUITE 4 , SHARED AND FINISHED LOWER LEVEL BATHROOMS SEE SPEC <b>SEE SPECS</b>
1755 25Sep24 ** NoCat	1.0	- "SPACES" PLAN WITH KITCHENETTE IN FINISHED LOWER LEVEL REC ROOM  SKETCH #' 1 AND 2
1755 362,794 25Sep24	3.0	- GRANITE-GRANITE CUTOUT WITH STRAIGHT EDGE POLISH TO ACCOMMODATE UNDER MOUNT VANITY SINK  <b>SEE SPECS</b> 1 X ENSUITE 4, 1 X SHARED BATHROOM, 1 X LOWER LEVEL BATHROOM FOR OVALYN UNDERMOUNT SINKS <b>SEE SPEC</b>
1755 364,350 25Sep24	1.0	Kitchen - GRANITE-GROUP 2 WITH 1 1/2 IN MITER EDGE-KITCHEN-UPG
1755 364,379 25Sep24	1.0	Opt. Bed 4 ensuite - GRANITE-GROUP 1-OPT. BED 4 ENSUITE-UPG  <b>CABINETRY-delete std countertop; GRANITE-see Specs for upgraded single hole faucet and upgraded undermou</b>
1755 364,371 25Sep24	1.0	Opt. Shared Bath - GRANITE-GROUP 1-OPT. SHARED BATH-UPG  <b>CABINETRY-delete std countertop; GRANITE-see Specs for upgraded single hole faucet and upgraded undermou</b>
1755 364,363 25Sep24	1.0	Opt. Lower Bath - GRANITE-GROUP 1-OPT. LOWER BATH-UPG  <b>CABINETRY-delete std countertop; GRANITE-see Specs for upgraded single hole faucet and upgraded undermou</b>

### HARDWOOD

Invoice	Qty.	Description
1755 375,594 25Sep24 **	1.0	- INTERIOR STAIRS-UPGRADE BASEMNT STAIR TO OAK-UPG  <b>CARPET-Delete Std Carpet Stairs; HARDWOOD-Supply and install Hardwood at Landing(s); PAINTING-Paint c stairs</b>
1755 373,300 25Sep24	1.0	Opt. Kitchen/Breakfast - HARDWOOD-3/4 x 3 1/4 IN RED OAK NSS SELECT V-OPT. KITCHEN/BREAKFAST  <b>CABINETRY-Raise Cabinet; CERAMICS-Delete Std Ceramics</b>
1755 373,318 25Sep24	1.0	Opt. Upper Hall - HARDWOOD-3/4 x 3 1/4 IN RED OAK NSS SELECT V-OPT. UPPER HALL  <b>CARPET-delete std carpet; INTERIOR TRIM-supply and install quarter rounds; PAINTING-paint quarter round</b>



## CONSTRUCTION SUMMARY

**Lot: 55**

**Model: 28-2660 C THE LEMONGRASS**

**Project/Phase: Williamsburg Green / 1**

### HEATING / AIR CONDITIONING

Invoice	Qty.	Description
1755 362,858 25Sep24	1.0	KITCHEN - HEATING / AIR CONDITIONING-ROUGH-IN GAS LINE FOR GAS STOVE AT MAIN FLOOR (SEE SPECS) (HOOK-UP NOT INCLUDED) LEAVE STANDARD 120 VOLT ELECTRICAL OUTLET ON A SEPARATE CIRCUIT. * SPECIFY IF STANDARD 220V WILL STAY OR BE RELOCATED STANDARD 220V WILL STAY SKETCH # 3 AND 4 <b>ELECTRICAL-Notify</b>
1755 362,855 25Sep24	1.0	- HEATING / AIR CONDITIONING-ROUGH-IN GAS LINE FOR BBQ AT MAIN FLOOR UP TO 40 FT (QUICK CONNECT NOT INCLUDED); ELECTRICAL OUTLET PRICED SEPARATELY IF REQUIRED ON DECK SKETCH # 3
1755 25Sep24 ** NoCat	1.0	- "SPACES" PLAN WITH KITCHENETTE IN FINISHED LOWER LEVEL REC ROOM SKETCH # 1 AND 2

### INTERIOR RAILINGS

Invoice	Qty.	Description
1755 25Sep24 ** NoCat	1.0	- "SPACES" PLAN WITH KITCHENETTE IN FINISHED LOWER LEVEL REC ROOM SKETCH # 1 AND 2
1755 25Sep24 ** NoCat	1.0	- OPTIONAL SIDE DOOR TO FINISHED BASEMENT SKETCH # 3

### INTERIOR STAIRS

Invoice	Qty.	Description
1755 375,594 25Sep24	1.0	- INTERIOR STAIRS-UPGRADE BASEMNT STAIR TO OAK-UPG  <b>CARPET-Delete Std Carpet Stairs; HARDWOOD-Supply and install Hardwood at Landing(s); PAINTING-Paint stairs</b>
1755 25Sep24 ** NoCat	1.0	- "SPACES" PLAN WITH KITCHENETTE IN FINISHED LOWER LEVEL REC ROOM SKETCH # 1 AND 2
1755 25Sep24 ** NoCat	1.0	- OPTIONAL SIDE DOOR TO FINISHED BASEMENT SKETCH # 3



## CONSTRUCTION SUMMARY

Lot: 55

Model: 28-2660 C THE LEMONGRASS

Project/Phase: Williamsburg Green / 1

### INTERIOR TRIM AND DOORS

Invoice	Qty.	Description
1755 25Sep24 ** NoCat	1.0	- "SPACES" PLAN WITH KITCHENETTE IN FINISHED LOWER LEVEL REC ROOM  SKETCH #' 1 AND 2
1755 25Sep24 ** NoCat	1.0	- OPTIONAL SIDE DOOR TO FINISHED BASEMENT  SKETCH # 3
1755 373,318 25Sep24 **	1.0	Opt. Upper Hall - HARDWOOD-3/4 x 3 1/4 IN RED OAK NSS SELECT V-OPT. UPPER HALL  <b>CARPET-delete std carpet; INTERIOR TRIM-supply and install quarter rounds; PAINTING-paint quarter round</b>

### LUMBER

Invoice	Qty.	Description
1755 25Sep24 ** NoCat	1.0	- "SPACES" PLAN WITH KITCHENETTE IN FINISHED LOWER LEVEL REC ROOM  SKETCH #' 1 AND 2
1755 25Sep24 ** NoCat	1.0	- OPTIONAL SIDE DOOR TO FINISHED BASEMENT  SKETCH # 3



## CONSTRUCTION SUMMARY

**Lot: 55**

**Model: 28-2660 C THE LEMONGRASS**

**Project/Phase: Williamsburg Green / 1**

### PAINTING

Invoice	Qty.	Description
1755 363,402 25Sep24 **	1.0	GREAT ROOM - COFFERED CEILING - OPT. COFFERED CEILING - GREAT ROOM - UPG  SKETCH # 3 <b>DRYWALL-Notify; FRAMING-Notify; PAINTING-Notify</b>
1755 363,405 25Sep24 **	1.0	DINING ROOM - COFFERED CEILING - OPT. COFFERED CEILING - DINING ROOM - UPG  SKETCH # 3 <b>DRYWALL-Notify; FRAMING-Notify; PAINTING-Notify</b>
1755 375,594 25Sep24 **	1.0	- INTERIOR STAIRS-UPGRADE BASEMNT STAIR TO OAK-UPG  <b>CARPET-Delete Std Carpet Stairs; HARDWOOD-Supply and install Hardwood at Landing(s); PAINTING-Paint stairs</b>
1755  25Sep24 ** NoCat	1.0	- "SPACES" PLAN WITH KITCHENETTE IN FINISHED LOWER LEVEL REC ROOM  SKETCH #' 1 AND 2
1755  25Sep24 ** NoCat	1.0	- OPTIONAL SIDE DOOR TO FINISHED BASEMENT  SKETCH # 3
1755 363,307 25Sep24 **	1.0	- DRYWALL - SMOOTH CEILING - FINISHED LOWER LEVEL - UPG  <b>PAINTING-Paint smooth ceiling</b>
1755 373,318 25Sep24 **	1.0	Opt. Upper Hall - HARDWOOD-3/4 x 3 1/4 IN RED OAK NSS SELECT V-OPT. UPPER HALL  <b>CARPET-delete std carpet; INTERIOR TRIM-supply and install quarter rounds; PAINTING-paint quarter round</b>

### PLUMBING

Invoice	Qty.	Description
1755 375,666 25Sep24	1.0	POWDER ROOM - PLUMBING-AMERICAN STANDARD-PEDESTAL SINK-OPT POWDER ROOM BOULEVARD- WHITE MODEL 0641 100 020 CENTRE HOLE IN LIEU OF STD 4 IN CENTRE -  SEE SPEC
1755 362,901 25Sep24	3.0	- PLUMBING-AMERICAN STANDARD-SINK OPTIONS-UNDERMOUNT SINK-OVALYN MODEL 0496 221 020 (19 INCH X 16 INCH) -  3 X FOR ENSUITE 4 , SHARED AND FINISHED LOWER LEVEL BATHROOMS SEE SPEC <b>SEE SPECS</b>
1755 363,076 25Sep24	6.0	THROUGHOUT - PLUMBING-MOEN -VICHY-LAV SINGLE HANDLE FAUCET WITH LIFT ROD DRAIN-CHROME (MODEL: 6710) -  <b>SEE SPECS</b> LESS 20% 2 X PRINCIPAL ENSUITE, 1 X ENSUITE 4, 1 X SHARED BATH, 1 X POWDER ROOM, 1 X FINISHED LOWER LEVEL BATHROOM SEE SPEC
1755  25Sep24 ** NoCat	1.0	- "SPACES" PLAN WITH KITCHENETTE IN FINISHED LOWER LEVEL REC ROOM  SKETCH #' 1 AND 2



## CONSTRUCTION SUMMARY

**Lot: 55**  
**Model: 28-2660 C THE LEMONGRASS**  
**Project/Phase: Williamsburg Green / 1**

### SECURITY

Invoice	Qty.	Description
1755 363,189 25Sep24	1.0	- SECURITY-SECURITY CAMERA ROUGH-IN  AT REAR OF HOUSE SKETCH # 3

### STEEL

Invoice	Qty.	Description
1755  25Sep24 ** NoCat	1.0	- OPTIONAL SIDE DOOR TO FINISHED BASEMENT  SKETCH # 3

### STRUCTURED WIRING

Invoice	Qty.	Description
1755  25Sep24 ** NoCat	1.0	- "SPACES" PLAN WITH KITCHENETTE IN FINISHED LOWER LEVEL REC ROOM  SKETCH #' 1 AND 2

### WINDOWS

Invoice	Qty.	Description
1755  25Sep24 ** NoCat	1.0	- "SPACES" PLAN WITH KITCHENETTE IN FINISHED LOWER LEVEL REC ROOM  SKETCH #' 1 AND 2
1755  25Sep24 ** NoCat	1.0	- OPTIONAL SIDE DOOR TO FINISHED BASEMENT  SKETCH # 3



Sales Selection Sheet  
Williamsburg Green

PURCHASER: INVENTORY HOME\_55

TEL:

LOT / UNIT 55	PHASE 1	MODEL 28-2660 C THE LEMONGRASS	
------------------	------------	-----------------------------------	--

1. This Sales Selection Sheet when properly executed forms part of our Agreement of Purchase and Sale.
2. All extras and upgrades listed above are subject to Construction Progress and Architectural and Municipal requirements.
3. In the event the Vendor is unable to incorporate the work approved above in the construction of the house for any reason whatsoever, the Vendor will not be liable to the Purchaser in any way. The monies paid for any changes or optional extras not proceeded with shall be returned to the Purchaser, without interest. The cost of options or extras is non-refundable in all other circumstances. If for any reason whatsoever the Agreement of Purchase and Sale is not completed, the total cost of work approved above will be retained by the Vendor.
4. The Vendor reserves the right to substitute above materials and equipment with that of equal or better quality.
5. Purchaser acknowledges that items may not be exactly as shown. Variations from the Vendor's samples may occur in finished materials due to normal production processes. Vendor is not responsible for shade difference which may occur from different dye lots or wood grains. Variations from the Vendor's samples will occur with natural materials such as wood, marble, granite, hardwood and brick.
6. The Vendor reserves the right to select Grout & Thresholds that best suits the Tile selected.
7. Selections will not be processed unless signed by Heathwood Homes Head Office.
8. The selections made on this schedule are final and cannot be changed once submitted.
9. The Purchaser has checked and acknowledges the accuracy of this schedule.

Payment Summary	
<u>Paid By</u>	<u>Amount</u>
<u>Total Payment:</u>	

PURCHASER: INVENTORY MODEL HOME  
INVENTORY HOME\_55

13-Sep-24  
DATE

MARILYN ROSEN  
Decor Consultant

13-Sep-24  
DATE

-09-13-2024

Date Approved Heathwood Homes (Williamsburg)  
Limited

TAX#:1

PREPARED BY: Marilyn Rosen

PE 1,755-5

SInvoice.rpt 28may19



Sketch # 1

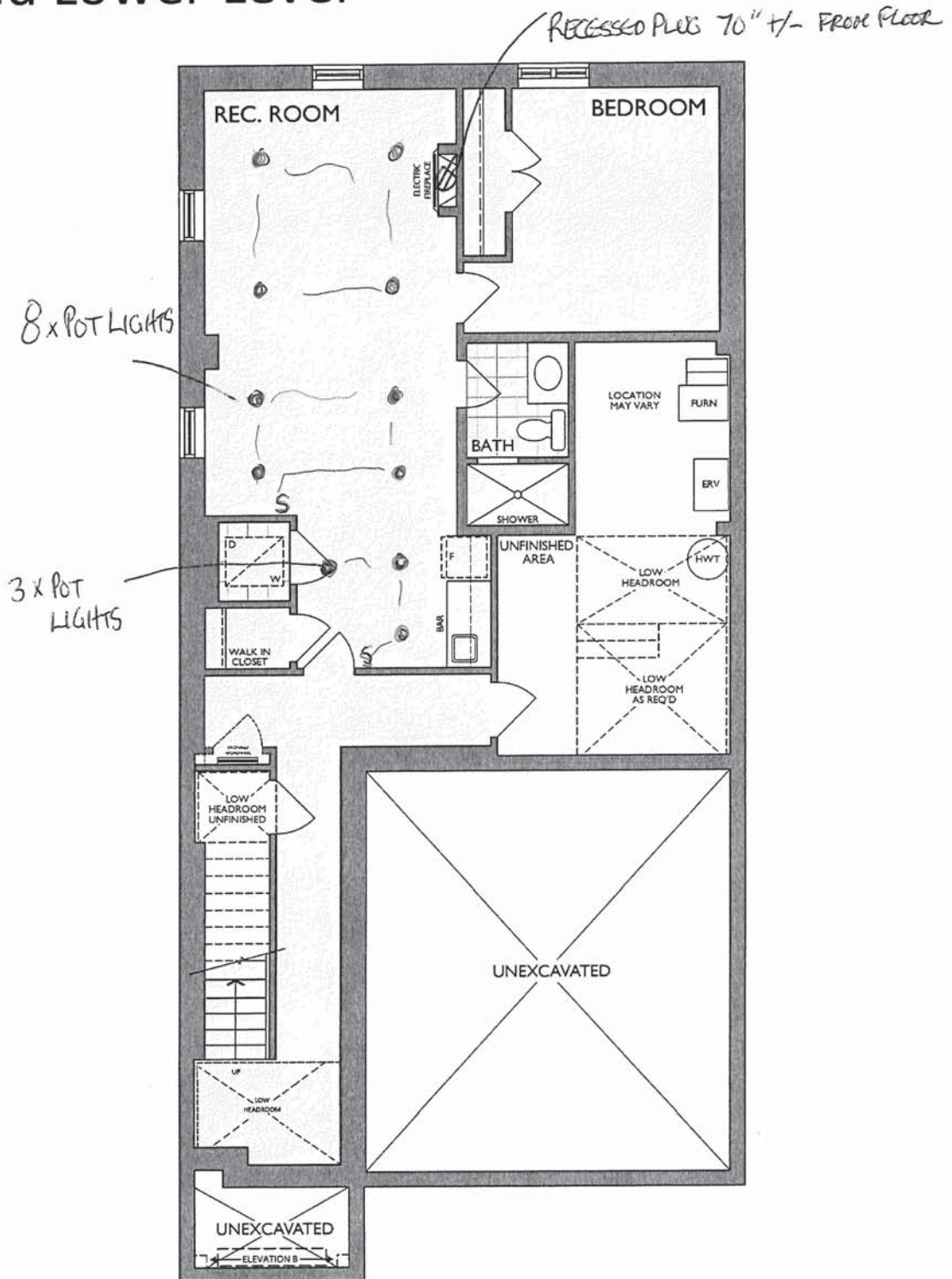
## THE LEMONGRASS

28-2660 ELEV. C



Finished Lower Level

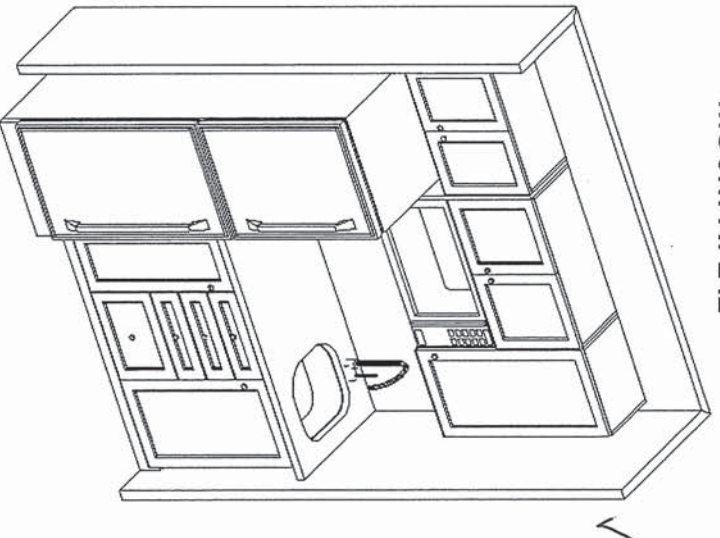
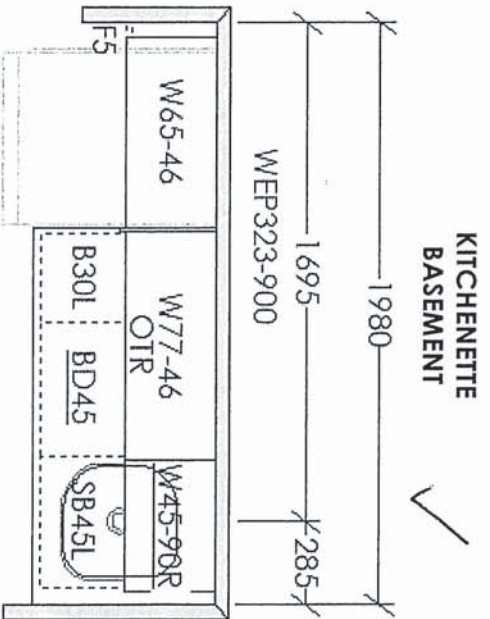
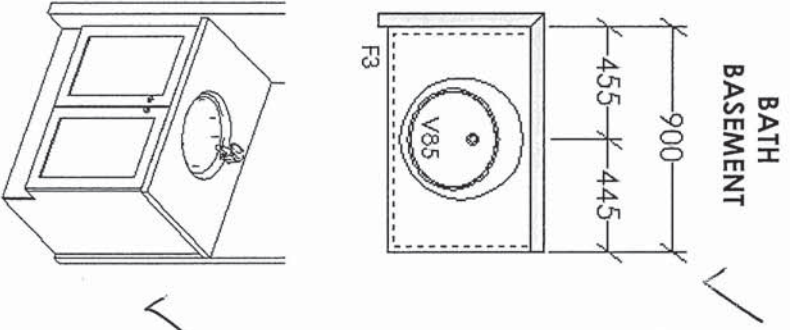
Lot 55



**SPACES FINISHED LOWER LEVEL  
ELEV. C**

\* Floor plan may vary due to grading conditions.

Sketch #2



FRENDELL  
 KITCHENS LIMITED  
 1350 Shawson Drive, Mississauga, ON L4W 1C5

**HEATHWOOD HOMES**  
 WILLIAMSBURG  
**MODEL: LEMONGRASS**  
 28-2660 (3404)

**STANDARD CONTRACT INCLUDES:**

**Appliance Openings**

- Hood: 30"W Builder Hood
- Fridge Opening: 37 3/8" W X 73 3/8"
- Fridge cabinet & gables: 66cm Deep
- Stove Opening: 30" Freestanding
- Dishwasher Opening: 24"

**Standard Scope Kitchen, Vanity, Laundry:**

- 100cm H wall Cabinets
- Base Pie Cut Corner Cabinets
- Std. Blumotion Hinges-**Soft Close Doors**
- Std. Metabox Drawers-**Not Soft Close**
- Top Drawer In Principal Ensuite (Qty x1)
- Std. Laundry Uppers - 61 cm H
- Std. Laundry Base
- Std. Basement Baths
- Backing on All - Except Sink Cabinets
- Countertop by Others for Kitchen & Principal Ensuite

Drawn By: Sepideh B  
 Date: August 22, 2024  
 Scale: Not To Scale

This sketch is for DESIGN PURPOSES ONLY – It is not meant to be an exact rendition.

THIS DRAWING IS FOR DESIGN PURPOSES ONLY.  
 IT IS NOT AN EXACT RENDITION.

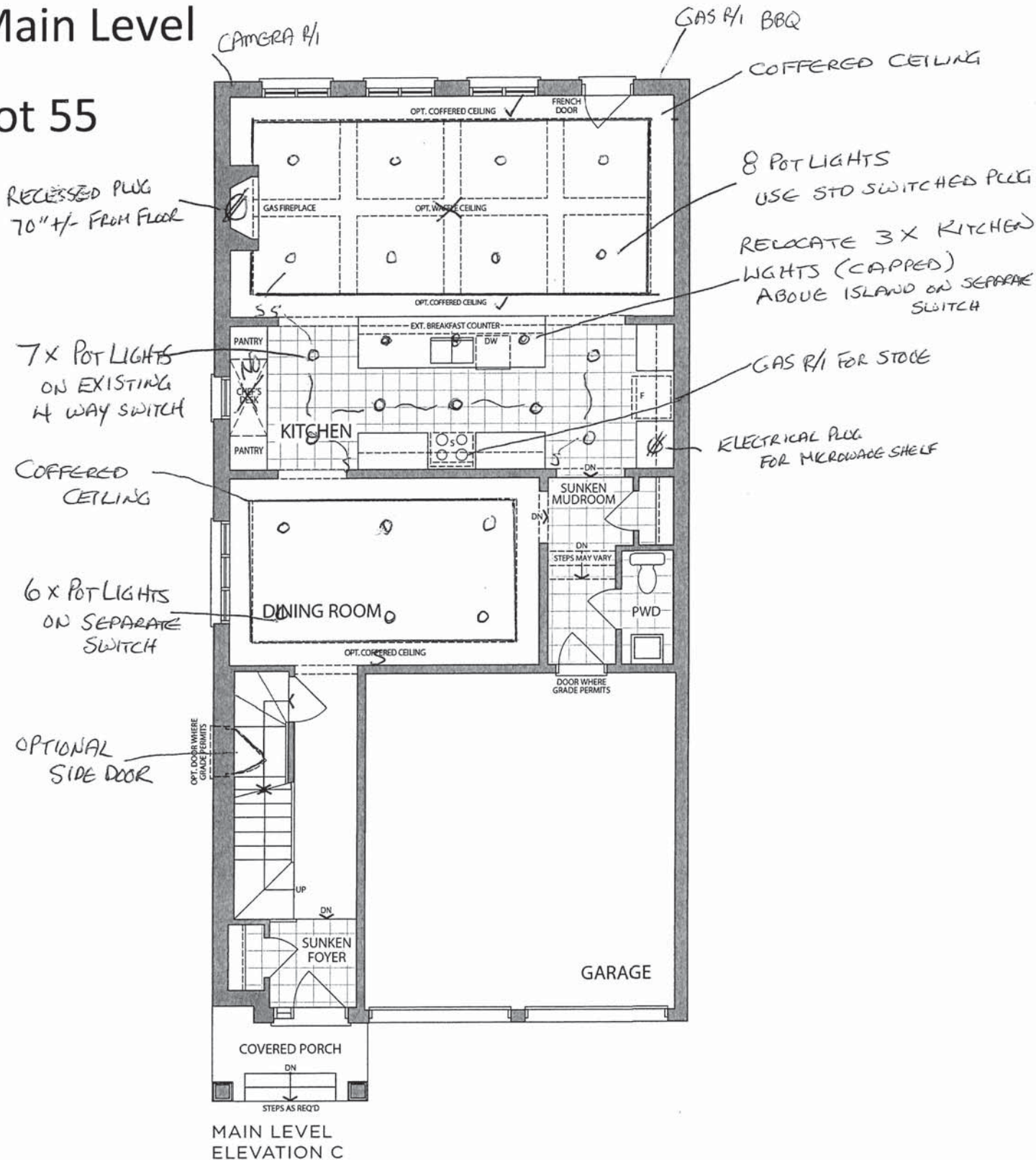
## Sketch #3 THE LEMONGRASS

28-2660 ELEV. C

**WILLIAMSBURG**  
 GREEN

Main Level

Lot 55

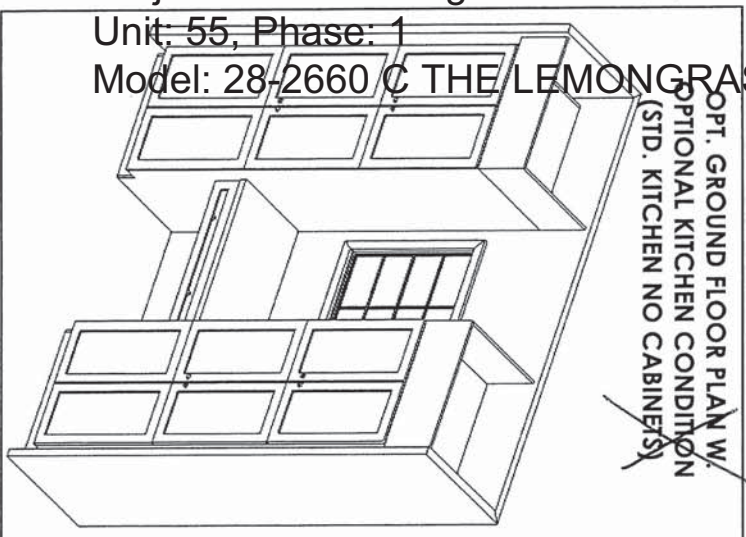
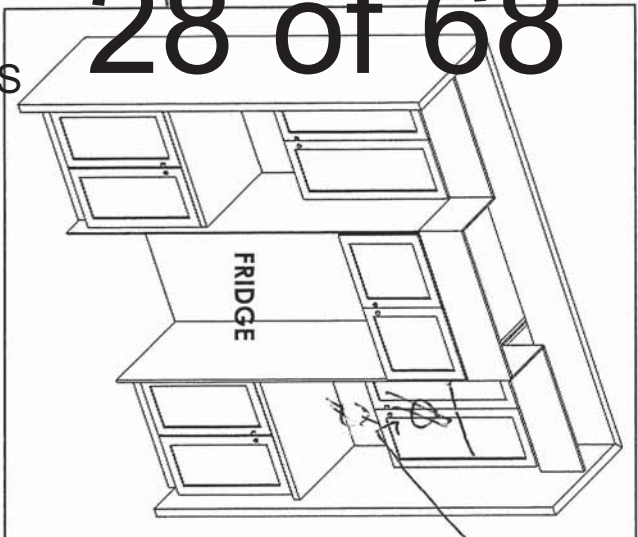


MAIN LEVEL  
 ELEVATION C

\* Floor plan may vary due to grading conditions.

**KITCHEN - GROUND FLR**

28 of 68



Project: Williamsburg Green

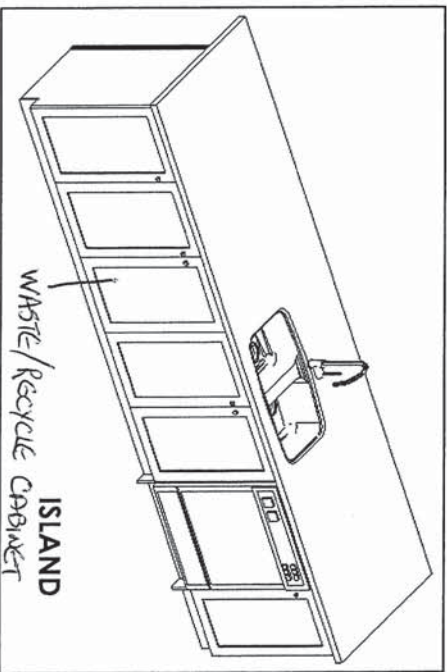
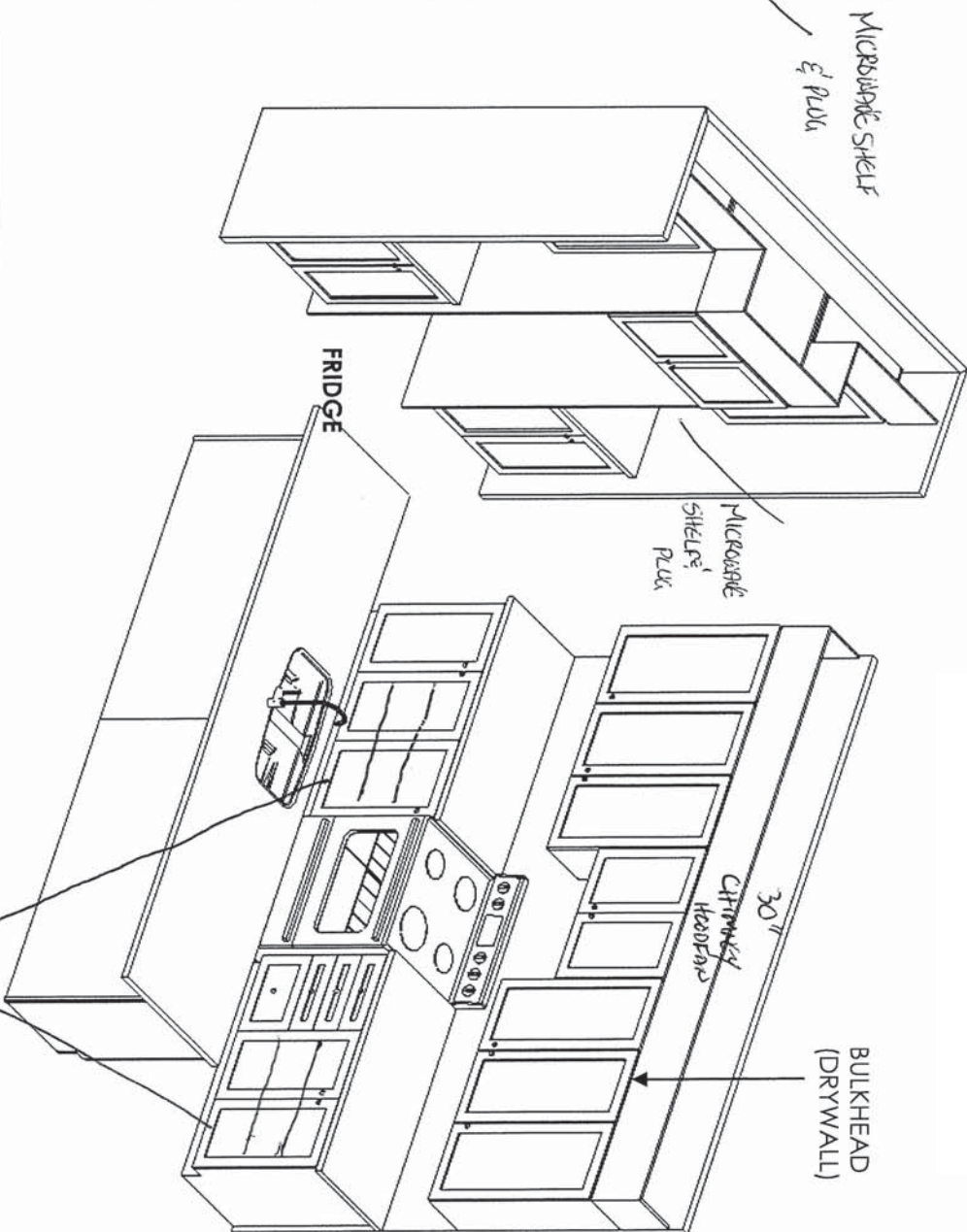
Sketch #4

Unit: 55, Phase: 1

Model: 28-2660 © THE LEMONGRASS

This sketch is for DESIGN PURPOSES ONLY - It is not meant to be an exact rendition.

\*\*VALANCE TRIM WITH LIGHTING



**F R E N D E L I**  
KITCHENS LIMITED  
1350 SHOWSON DRIVE, MISSISSAUGA, ON L4W 1C5

**HEATHWOOD HOMES**  
WILLIAMSBURG  
**MODEL: LEMONGRASS**  
28-2660 (3404)

**STANDARD CONTRACT INCLUDES:**

**Appliance Openings**

- Hood: 30"W Builder Hood
- Fridge Opening: 37 3/8 "W X 73 3/8"
- Fridge cabinet & gables: 66cm Deep
- Stove Opening: 30" Freestanding
- Dishwasher Opening: 24"

**Standard Scope Kitchen, Vanity, Laundry:**

- 100cm H wall Cabinets
- Base Pie Cut Corner Cabinets
- Std. Blumotion Hinges-**Soft Close Doors**
- Std. Metabox Drawers-**Not Soft Close**
- Top Drawer In Principal Ensuite (Qty x1)
- Std. Laundry Uppers - 61 cm H
- Std. Laundry Base
- Std. Basement Baths
- Backing on All - Except Sink Cabinets
- Countertop by Others for Kitchen & Principal Ensuite

Drawn By: Sepiden B  
Date: August 25, 2023  
Scale: Not To Scale

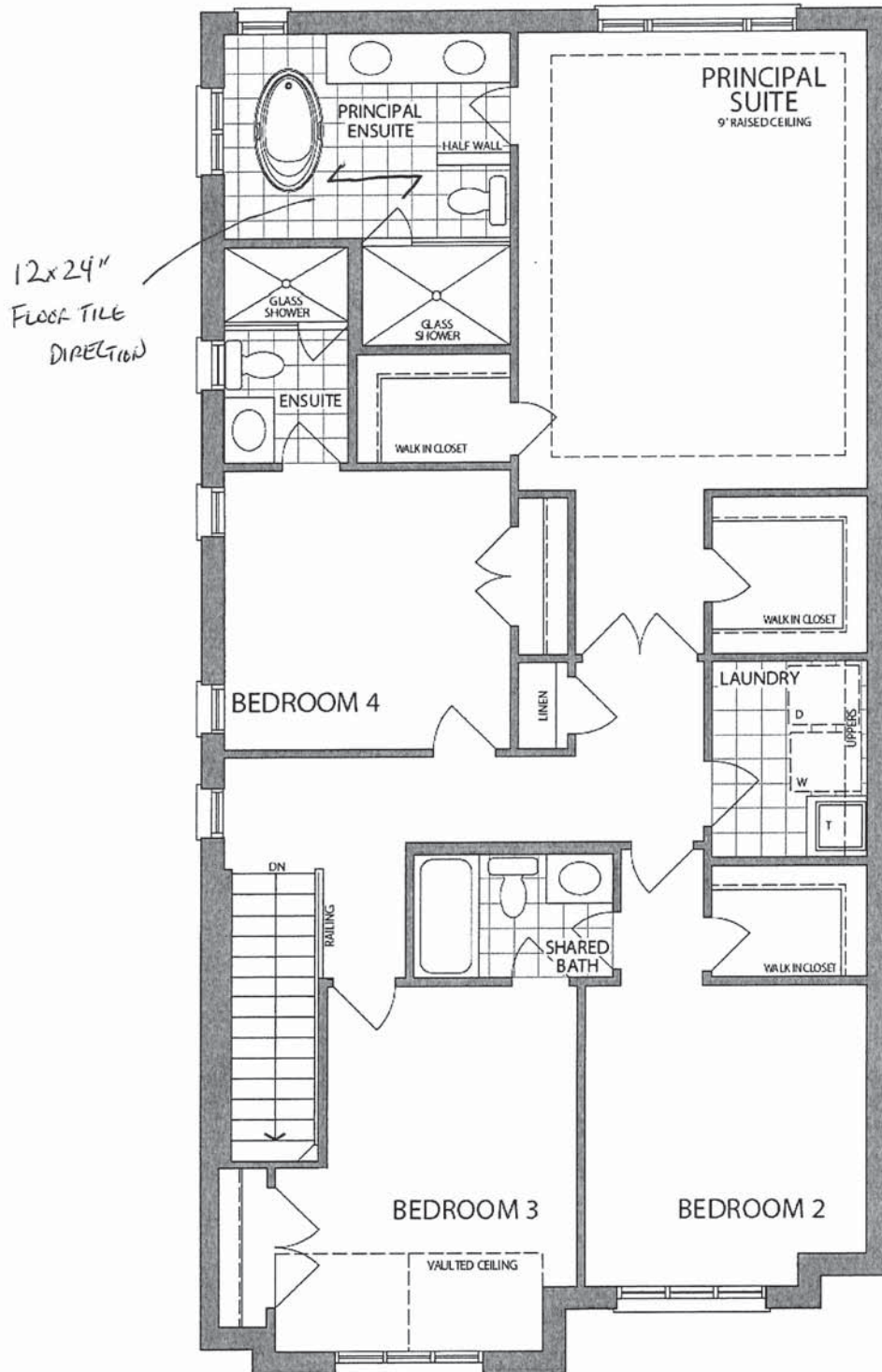
THIS DRAWING IS FOR DESIGN PURPOSES ONLY.  
IT IS NOT AN EXACT RENDITION.

Sketch # 5 THE LEMONGRASS

28-2660 ELEV. C



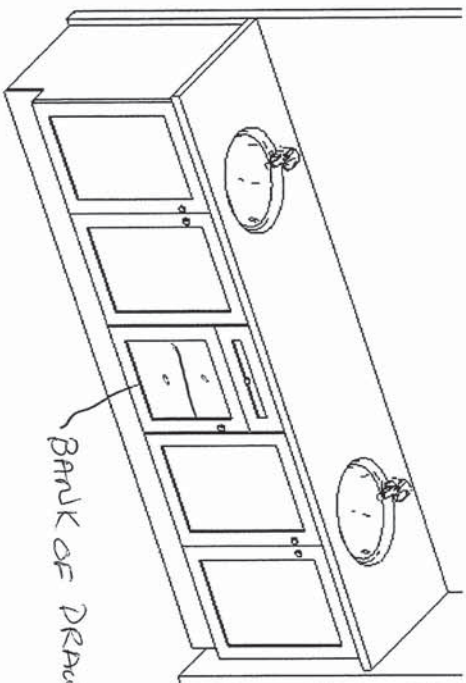
Second Level Lot 55



SECOND LEVEL  
ELEVATION C

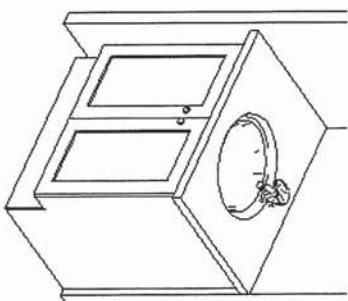
\* Floor plan may vary due to grading conditions.

PRINCIPAL ENSUITE

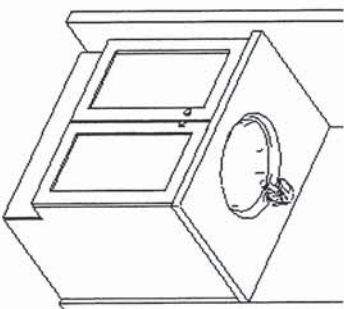


BANK OF DRAWERS

ENSUITE 4



SHARED BATH



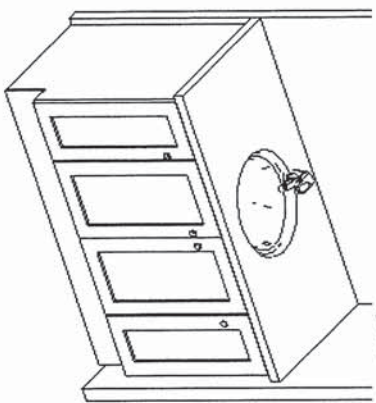
30 of 68

Sketch #8

Project: Williamsburg Green  
 Unit: 55, Phase: 1  
 Model: 28-2660 C THE LEMONGRASS

**BASEMENT**

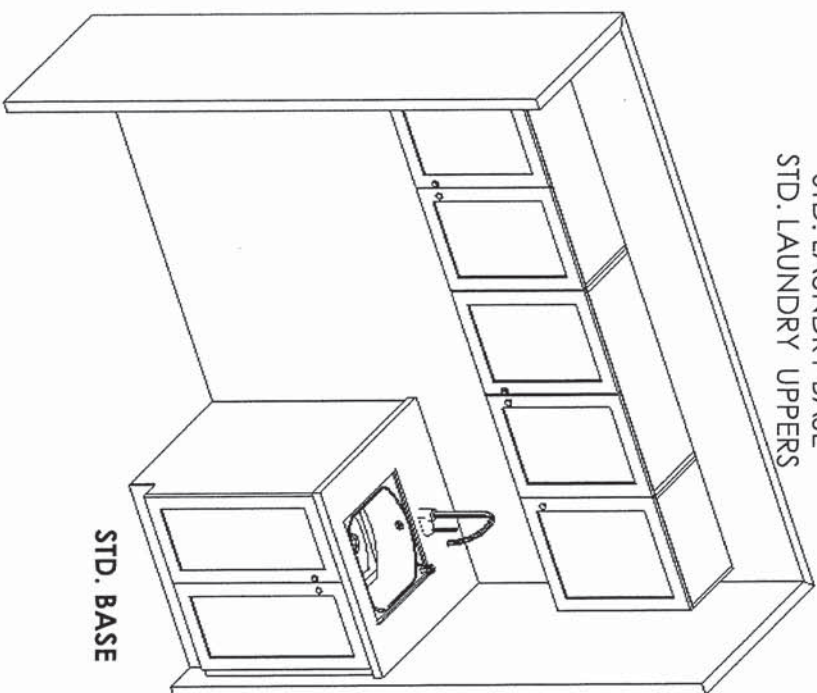
OPT. FINISHED ~~BASEMENT~~



SEE SKETCH #1  
 ADD 2  
 'SPACES'  
 V/2

LAUNDRY

STD. LAUNDRY BASE  
 STD. LAUNDRY UPPERS



STD. BASE



**F R E N D E L**  
 K I T C H E N S L I M I T E D  
 1350 SHOWSON DRIVE, MISSISSAUGA, ON L4W 1C5

**HEATHWOOD HOMES**  
 WILLIAMSBURG  
**MODEL: LEMONGRASS**  
 28-2660 (3404)

**STANDARD CONTRACT INCLUDES:**

**Appliance Openings**

- Hood: 30"W Bulider Hood
- Fridge Opening: 37 3/8 "W X 73 3/8"
- Fridge cabinet & gables: 66cm Deep
- Stove Opening: 30" Freestanding
- Dishwasher Opening: 24"

**Standard Scope Kitchen, Vanity, Laundry:**

- 100cm H wall Cabinets
- Base Pie Cut Corner Cabinets
- Std. Blumotion Hinges-**Soft Close Doors**
- Std. Metabox Drawers-**Not Soft Close**
- Top Drawer In Principal Ensuite (Qty x1)
- Std. Laundry Uppers - 61 cm H
- Std. Laundry Base
- Std. Basement Baths
- Backing on All - Except Sink Cabinets
- Countertop by Others for Kitchen & Principal Ensuite

Drawn By: Sepiden B  
 Date: August 25, 2023  
 Scale: Not To Scale

This sketch is for DESIGN PURPOSES ONLY – It is not meant to be an exact rendition.

THIS DRAWING IS FOR DESIGN PURPOSES ONLY.  
 IT IS NOT AN EXACT RENDITION.



**NFAS NF15 Mantel - CABINET**

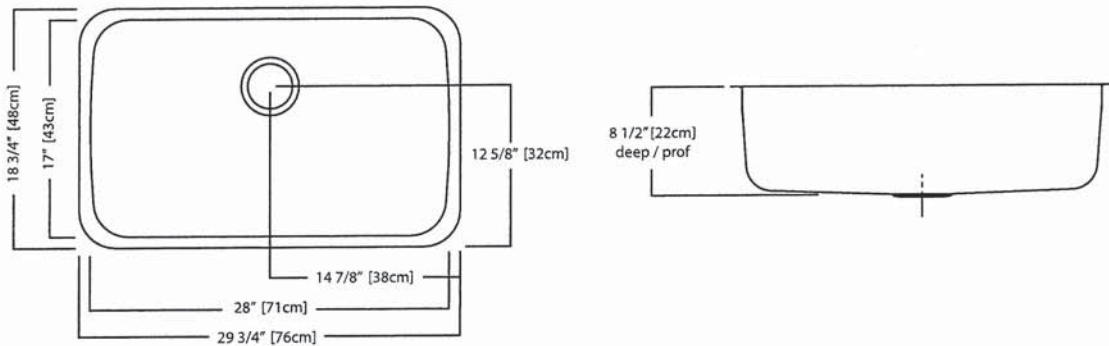
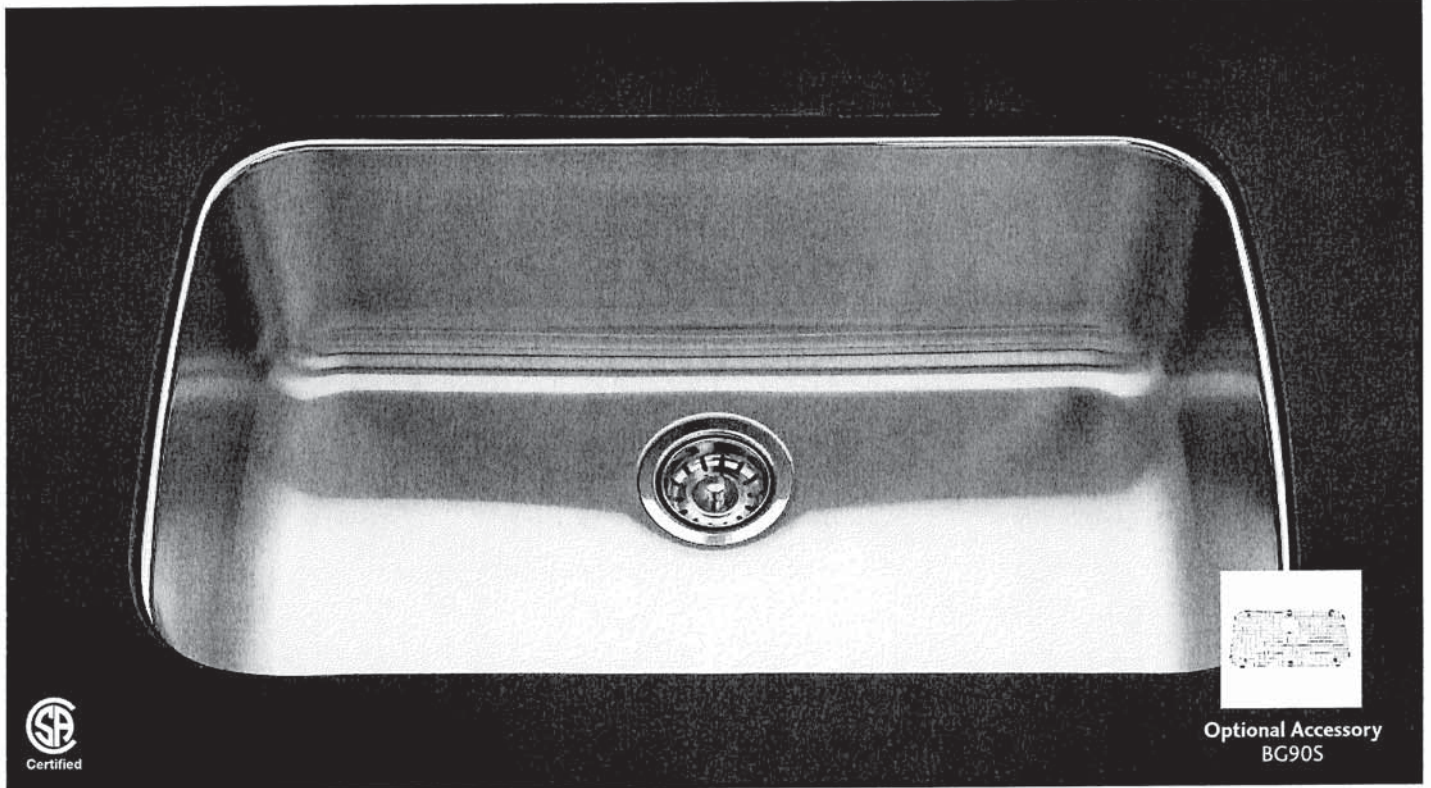
*GREAT ROOM 8'*

*FINISHED LOWER LEVEL (ELECTRIC FIREPLACE)*

KITCHEN SINK

*Reginox*

NS1930U/9



## NS1930U/9 SPECIFICATION

Model NS1930U/9 is a single bowl, undermount sink manufactured for Franke Kindred Canada Limited from 18 gauge, 18-10 stainless steel. Product has mirror finished rim and brush finished bowl. Sink is fully undercoated. Basket strainer waste fitting (3 1/2", 89 mm) are included. Sink is backed with a limited buyer lifetime warranty.

- O.D. 18 3/4" x 29 3/4" x 8 1/2" (48 x 76 x 22 cm)
- **Recommended for minimum 36" cabinet**

Franke Kindred Canada Limited  
P.O. Box 190, 1000 Franke Kindred Road, Midland, Ontario, Canada, L4R 4K9 Phone: 866-687-7465 Fax: 800-361-8408



KITCHEN FAUCET

# MOEN®

## Specifications

### FAUCET DESCRIPTION

- Reflex™ pulldown system offers smooth operation, easy movement and secure docking
- Power Clean™ spray technology
- Metal construction with various finishes identified by suffix
- Quick connect installation
- Pulldown spray with 68" braided hose
- Flexible supply lines with 3/8" compression fittings
- High arc spout provides height and reach to fill or clean large pots while pulldown wand provides the maneuverability for cleaning or rinsing
- 360° rotating spout
- Faucet designed for handle to be mounted on right side only

### OPERATION

- Lever style handle
- Temperature controlled by 100° arc of handle travel
- Operates with less than 5 lbs. of force
- Operates in stream or spray mode in the pullout or retracted position

### FLOW

- Flow is limited to 1.5 gpm (5.7 L/min) max at 60 psi

### CARTRIDGE

- 1255™ Duralast™ cartridge

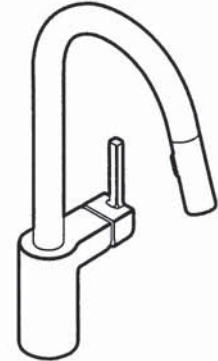
### STANDARDS

- Third party certified to IAPMO Green, ASME A112.18.1/CSA B125.1 and all applicable requirements therein including NSF 61/9G & 372
- Meets CalGreen and Georgia SB370 requirements
- Complies with California Proposition 65 and with the Federal Safe Drinking Water Act
- The backflow protection system in the device consists of two independently operating check valves, a primary and a secondary which prevent backflow

- ADA  for lever handle

### WARRANTY

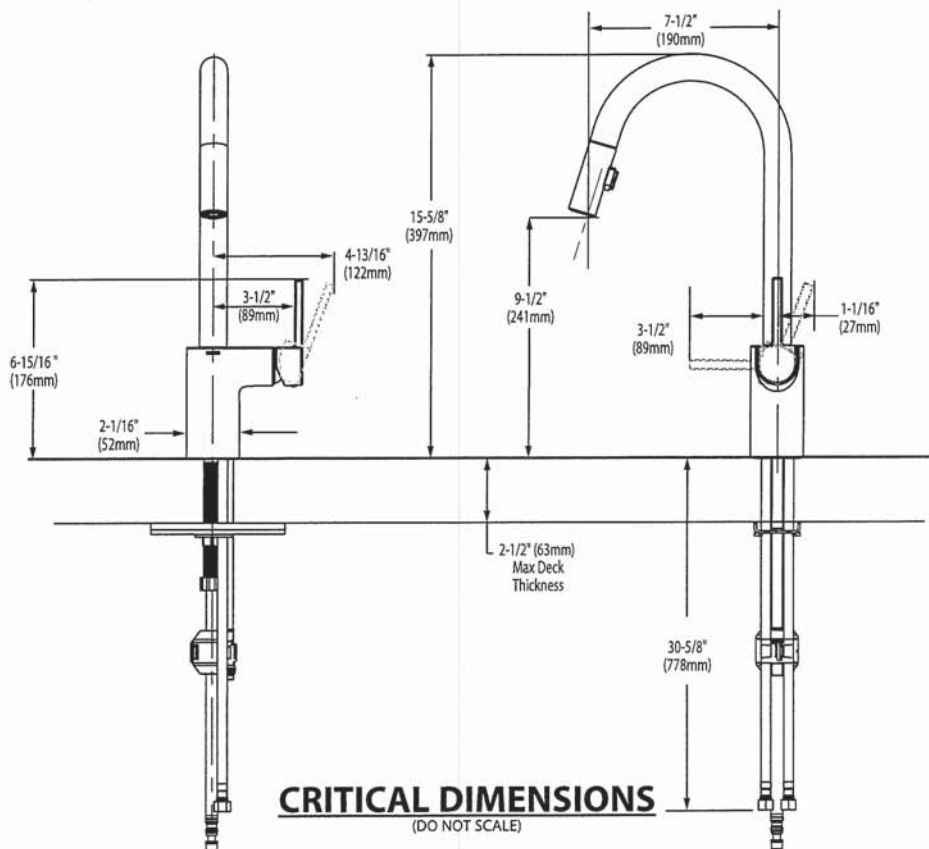
- Lifetime limited warranty against leaks, drips and finish defects to the original homeowner
  - 10 year limited warranty when used in a multifamily installation
  - 5 year limited warranty when used in a commercial installation
- Visit [www.moen.com/support](http://www.moen.com/support) for complete details and limitations



**ALIGN™**  
**Single Handle High Arc**  
**Pulldown Kitchen Faucet**

**Models:** 7565 series

**NOTE:** THIS FAUCET IS DESIGNED TO BE INSTALLED THROUGH 1 HOLE, 1-1/2" (38mm) MIN. DIA. (OPTIONAL 3-HOLE ESCUTCHEON 141002 AVAILABLE)



Powder Room

*American  
Standard*

 BARRIER FREE (ABOVE COUNTER OR DROP-IN ONLY)

**BOULEVARD®  
PEDESTAL SINK**  
VITREOUS CHINA

### BOULEVARD® PEDESTAL SINK

**0641.800** Faucet holes on 8" (203mm) centers (Illustrated)

**0641.400** Faucet holes on 4" (102mm) centers

**0641.100** Center hole only

- Classic styled rectangular pedestal lavatory
- Vitreous china
- Rear overflow
- Supplied with mounting kit
- Right Height® for greater comfort during use
- Faucet ledge with large deck area (faucet not included)
- **Design coordinates with Boulevard® Toilet**
- Basin has flat bottom to also allow use as an **above counter** sink or a **drop-in** sink (with u-shaped cut out)

#### Nominal Dimensions:

24" x 19" x 35-1/2"  
(610 x 483 x 902mm)

**0641.008** Pedestal top-8" (203mm) centers

**0641.004** Pedestal top-4" (102mm) centers

**0641.001** Pedestal top-center hole only

**0010.000** Pedestal only

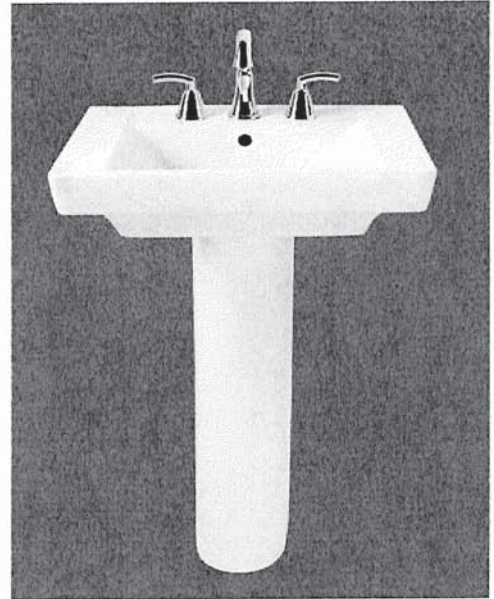
#### Bowl sizes:

17" (432mm) wide,  
12-1/2" (318mm) front to back,  
5" (127mm) deep

#### Compliance Certifications -

##### Meets or Exceeds the Following Specifications:

- ASME A112.19.2 - 2008/CSA B45.1-08



SEE REVERSE FOR ROUGHING-IN DIMENSIONS

#### To Be Specified:

- Color:  White  Linen
- Faucet Finish:
- Supplies:
- 1-1/4" Trap:
- Nipple:

\* See faucet section for additional models available

## BATHROOM SINKS

2x PRINCIPAL ENSUITE / 1x ENSUITE 4 / 1x SHARED BATHROOM  
1x LOWER LEVEL BATHROOM

**American Standard**

Style That Works Better

 BARRIER FREE

**OVALYN™  
UNDERCOUNTER SINK**  
VITREOUS CHINA

### OVALYN™ UNDERCOUNTER SINK

- Classic oval undermount sink
- Made from vitreous china
- Front overflow
- Supplied with mounting kit (047194-0070A) and template

**0495.221 Unglazed rim**

435 x 359mm  
(17-1/8" x 14-1/8")

**0495.300 Glazed underside**

**Bowl size:**

382mm (15-1/16") wide  
306mm (12-1/16") front to back  
140mm (5-1/2") deep

**0496.221 Unglazed rim**

489 x 413mm  
(19-1/4" x 16-1/4")

**0496.300 Glazed underside**

**Bowl size:**

432mm (17") wide  
356mm (14") front to back  
140mm (5-1/2") deep

**0497.221 Unglazed rim**

546 x 441mm  
(21-1/2" x 17-3/8")

**0497.300 Glazed underside**

**Bowl size:**

483mm (19") wide  
391mm (15-3/8") front to back  
140mm (5-1/2") deep

**Compliance Certifications -**

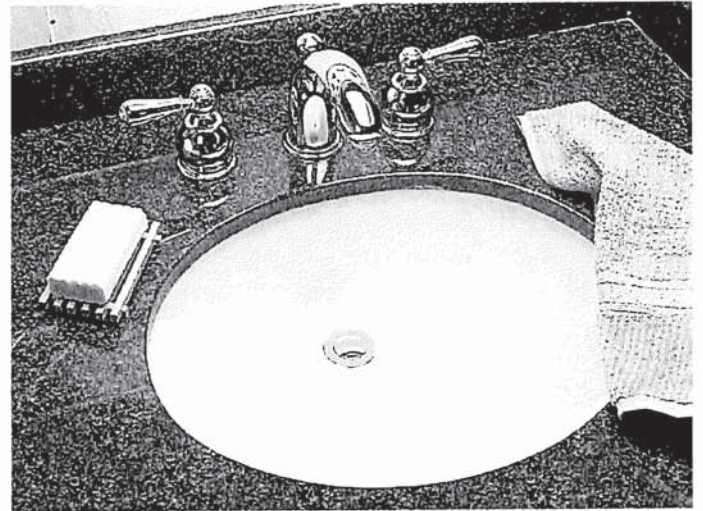
**Meets or Exceeds the Following Specifications:**

- ASME A112.19.2M for Vitreous China Fixtures
- CAN/CSA B45 series

**To Be Specified:**

- Color:  White  Bone  Linen  
 Silver  Fawn Beige  Black
- Faucet\*:  
 Faucet Finish:  
 Supplies:  
 1-1/4" Trap:

\* See faucet section for additional models available

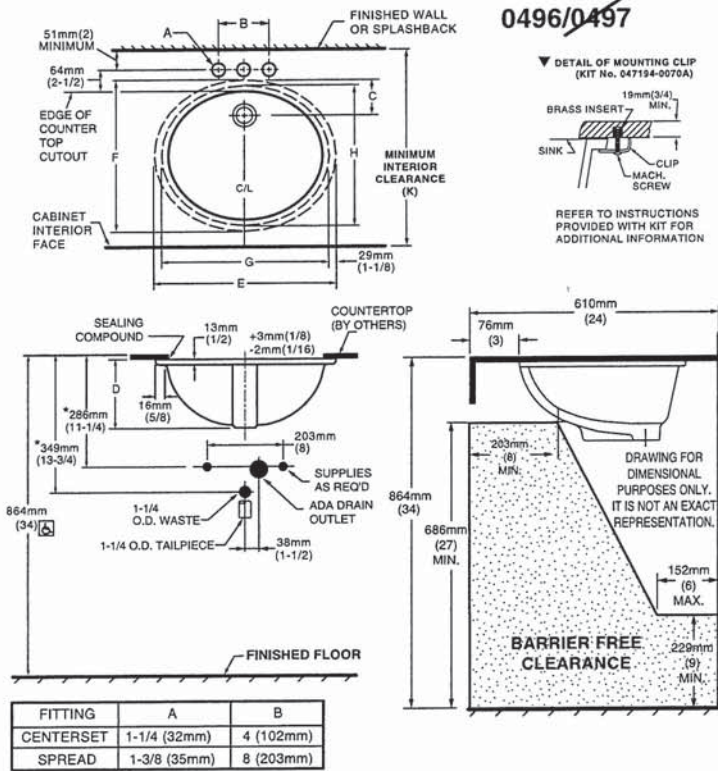


SEE REVERSE FOR ROUGHING-IN DIMENSIONS

**American Standard**  
 Style That Works Better

**OVALYN™**  
**UNDERCOUNTER SINK**  
 VITREOUS CHINA

**BARRIER FREE**

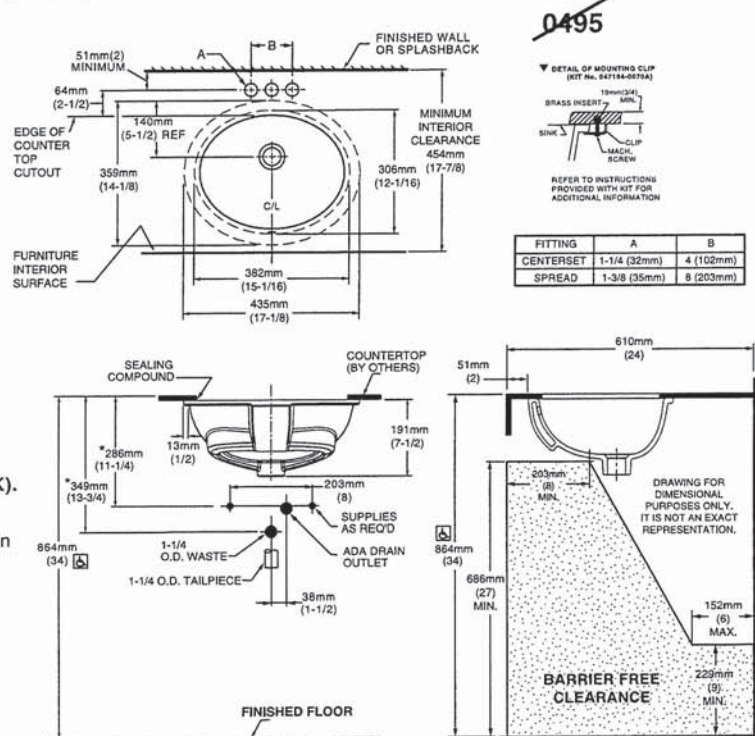


**NOTES:**  
 \* DIMENSIONS SHOWN FOR LOCATION OF SUPPLIED AND "P" TRAP ARE SUGGESTED.  
 ▼ UNDERCOUNTER MOUNTING KIT SUPPLIED WITH SINK.  
**PLEASE NOTE MINIMUM INTERIOR CLEARANCE DIMENSION (K).** FITTINGS NOT INCLUDED AND MUST BE ORDERED SEPARATELY. USE ENCLOSED TEMPLATE FOR COUNTERTOP CUTOUT SEALING COMPOUND SUPPLIED BY OTHERS.

**IMPORTANT:** Dimensions of fixtures are nominal and may vary within the range of tolerances established by ANSI Standard A112.19.2. These measurements are subject to change or cancellation. No responsibility is assumed for use of superseded or voided pages.

**MEETS THE AMERICANS WITH DISABILITIES ACT GUIDELINES AND ANSI A117.1 ACCESSIBLE AND USEABLE BUILDINGS AND FACILITIES - CHECK LOCAL CODES.**  
 Countertop 864mm (34") from finished floor. Lavatory installed 76mm (3") from front edge of countertop.  
 Countertop thickness to be 25mm (1") maximum.

CAT. NO.	E	F	G	H	C	D	J	K
0496.221	489mm (19-1/4)	413mm (16-1/4)	432mm (17)	356mm (14)	103mm (4-1/16)	182mm (7-3/16)	16mm (5/8)	500mm (19-11/16)
0497.221	546mm (21-1/2)	441mm (17-3/8)	483mm (19)	391mm (15-3/8)	95mm (3-3/4)	191mm (7-1/2)	19mm (3/4)	534mm (21-1/16)



**NOTES:**  
 USE ENCLOSED TEMPLATE FOR COUNTER TOP CUTOUT. FITTINGS NOT INCLUDED WITH FIXTURE AND MUST BE ORDERED SEPARATELY.  
 \* DIMENSIONS SHOWN FOR LOCATION OF SUPPLIED AND "P" TRAP ARE SUGGESTED.  
 ▼ UNDERCOUNTER MOUNTING KIT SUPPLIED WITH SINK.  
**PLEASE NOTE MINIMUM INTERIOR CLEARANCE DIMENSION (K).** SEALING COMPOUND SUPPLIED BY OTHERS.

**IMPORTANT:** Dimensions of fixtures are nominal and may vary within the range of tolerances established by ANSI Standard A112.19.2. These measurements are subject to change or cancellation. No responsibility is assumed for use of superseded or voided pages

**MEETS THE AMERICANS WITH DISABILITIES ACT GUIDELINES AND ANSI A117.1 ACCESSIBLE AND USEABLE BUILDINGS AND FACILITIES - CHECK LOCAL CODES.**  
 Countertop 864mm (34") from finished floor. Lavatory installed 51mm (2") from front edge of countertop.  
 Countertop thickness to be 25mm (1") maximum.

PRINCIPAL (ENSUITE) BATHROOM



## DEMI™ Product Specification Sheet

### Two Piece Freestanding Collection



CF2007 Two Piece Freestanding Soaker

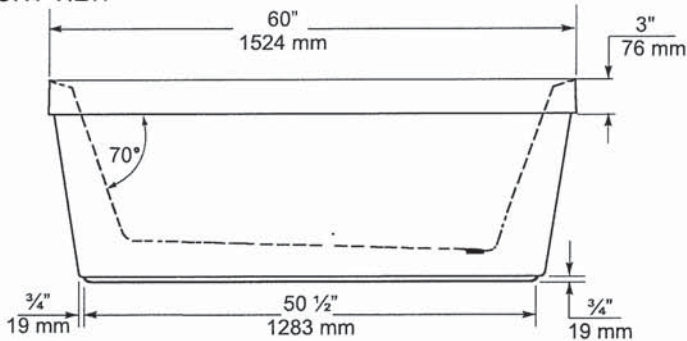
Size: 60" x 32" x 22"  
 1524 mm x 813 mm x 559 mm

#### PRODUCT FEATURES & BENEFITS

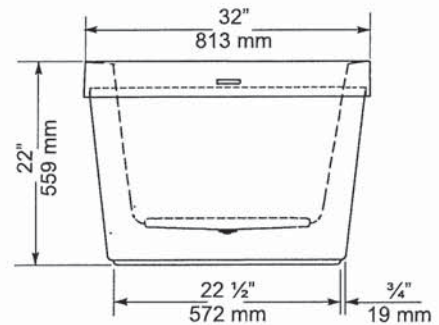
- Vacuum formed acrylic reinforced with fiberglass
- Scratch, stain and fade resistant high gloss finish
- Installation friendly two piece design
- Accepts deck mounted faucet
- Includes integral pop up drain and rectangular overflow
- Includes levelling feet

#### TWO PIECE ASSEMBLY

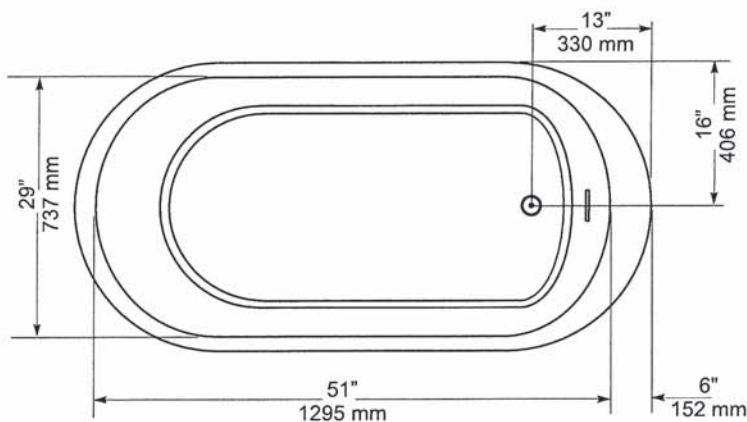
FRONT VIEW



END VIEW



TOP VIEW



#### GENERAL SPECIFICATIONS

Average Weight	90 lb	41 kg
Bathing Well at bottom	43"x 20"	1092 x 508 mm
Capacity Drain to Overflow		195 litres
Water Depth Drain to Overflow	16"	406 mm
Drain Opening (dia.)	2"	51 mm
Overflow Opening	2 1/4"x 1 1/2"	57 x 13 mm
Drain to Floor Clearance	3 1/4"	83 mm

**NOTES:** Please confirm measurements on actual product to ensure proper identification. Bathtub to be installed on the floor supported by 5 self levelling feet. Adjust if required to level the bathtub for adequate drainage. Refer to installation instructions for additional information.

**IMPORTANT:** Dimensions of fixtures are nominal and may vary  $\pm 1/4"$  (6 mm). Weight may vary  $\pm 5$  lb (2.3 kg). Drawing is not to scale. These measurements are subject to change at manufacturer's discretion.

#### Compliance Certifications -

Meets or Exceeds the following Specifications:

- CAN/CSA - B45 Series



THROUGHOUT



## VORMAX® UHET RIGHT HEIGHT® ELONGATED TOILET VITREOUS CHINA



### VORMAX® UHET RIGHT HEIGHT® ELONGATED TOILET

- ❑ **238AA.114**
  - VorMax flushing technology cleans two times better than conventional toilets\*\*
  - Combination bowl and tank, less seat
  - 12" (305 mm) rough-in
  - Right Height elongated siphon action bowl
  - Ultra-high efficiency toilet (UHET) 1.0 gpf/3.8 Lpf
  - Meets EPA WaterSense® and MaP Premium criteria
  - EverClean® Antimicrobial Surface
  - Transitional styling
  - Includes EZ-Install Tools
  - CleanCurve™ rim eliminates rim area where dirt and build-up hide
  - 16-1/2" (419 mm) rim height for accessible applications
  - 2-1/16" (52 mm) trapway
  - Dual injection flush valves
  - Chrome trip lever
  - Two color-matched bolt caps
  - 10 year warranty

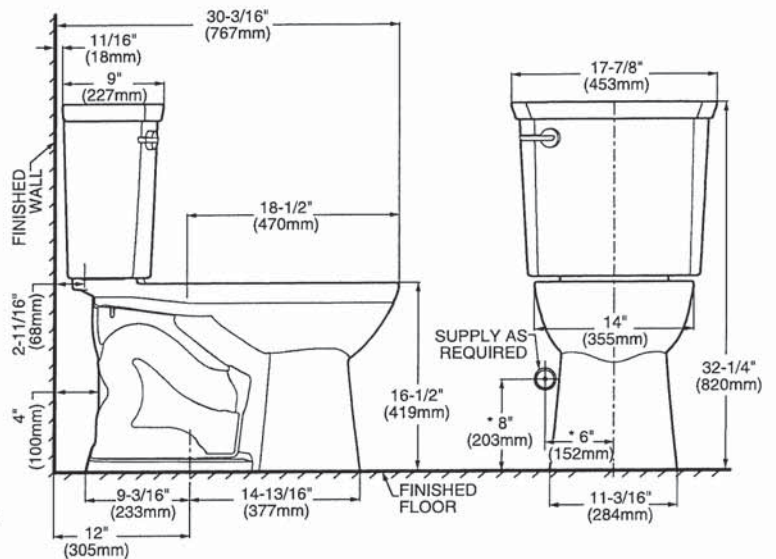
- ❑ **238AA.115** Same as above except trip lever on right hand side
- ❑ **3385A.101** Right Height® Elongated Bowl
- ❑ **4385A.114** UHET Tank

**Nominal Dimensions:**  
 30-3/16" x 17-7/8" x 32-1/4"  
 (767 x 453 x 820mm)

Fixture only, seat and supply sold separately

- Alternative Tank Configuration Available:**
- ❑ **4385A.115** Tank complete with trip lever located on right side

- Compliance Certifications -  
 Meets or Exceeds the Following Specifications:**
- ASME A112.19.2/CSA B45.1 for Vitreous China Fixtures
  - US EPA WaterSense® Specification for UHETs



**NOTES:**  
 THIS TOILET IS DESIGNED TO ROUGH-IN AT A MINIMUM DIMENSION OF 305MM (12") FROM FINISHED WALL TO C/L OF OUTLET.  
 SUPPLY NOT INCLUDED WITH FIXTURE AND MUST BE ORDERED SEPARATELY.  
 \* DIMENSION SHOWN FOR LOCATION OF SUPPLY IS SUGGESTED.

**IMPORTANT:** Dimensions of fixtures are nominal and may vary within the range of tolerances established by ANSI Standard A112.19.2. These measurements are subject to change or cancellation. No responsibility is assumed for use of superseded or voided pages.

- To Be Specified:**
- ❑ Color:  White
  - ❑ Seat: #5055A.65C Elongated Slow Close solid plastic seat and cover
  - ❑ Supply with stop:

\*\*Source: IAPMO R&T Labs Test Report No. 109-141486-002, comparing VorMax against conventional under-the-rim-water-dispersal toilets from major retailers.



VANITY FAUCETS  
 2x PRINCIPAL ENSUITE, 1x POWDER ROOM,  
 1x ENSUITE 4, 1x SHARED BATHROOM, 1x LOWER LEVEL BATHROOM



Buy it for looks. Buy it for life.®

### FAUCET DESCRIPTION

- Metal construction with chrome finish
- Flexible supply lines with 3/8" compression fittings
- Includes metal pop-up waste assembly
- Optional 3 hole deck plate (escutcheon) available

### OPERATION

- Lever style handle
- Temperature controlled by 100° arc of handle travel
- Includes hot & cold temperature indicators

### FLOW

- Flow is limited to 1.2 gpm max (4.5 L/min) at 60 psi

### CARTRIDGE

- 1255™ Duralast™ cartridge
- Nonmetallic/nonferrous and ceramic material

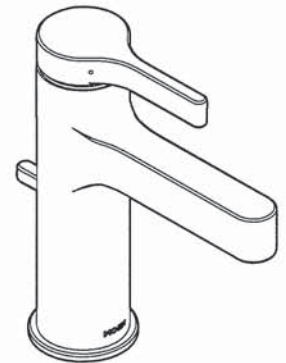
### STANDARDS

- Third party certified to WaterSense,® ASME A112.18.1/CSA B125.1, and all applicable requirements referenced therein
- Certified to NSF 61/9 & 372
- Compliant with California water efficiency regulations
- Complies with California Proposition 65 and with the Federal Safe Drinking Water Act
- ADA ♿ for lever handle

### WARRANTY

- Lifetime limited warranty against leaks, drips and finish defects to the original consumer purchaser
- 5 year warranty if used in commercial installations

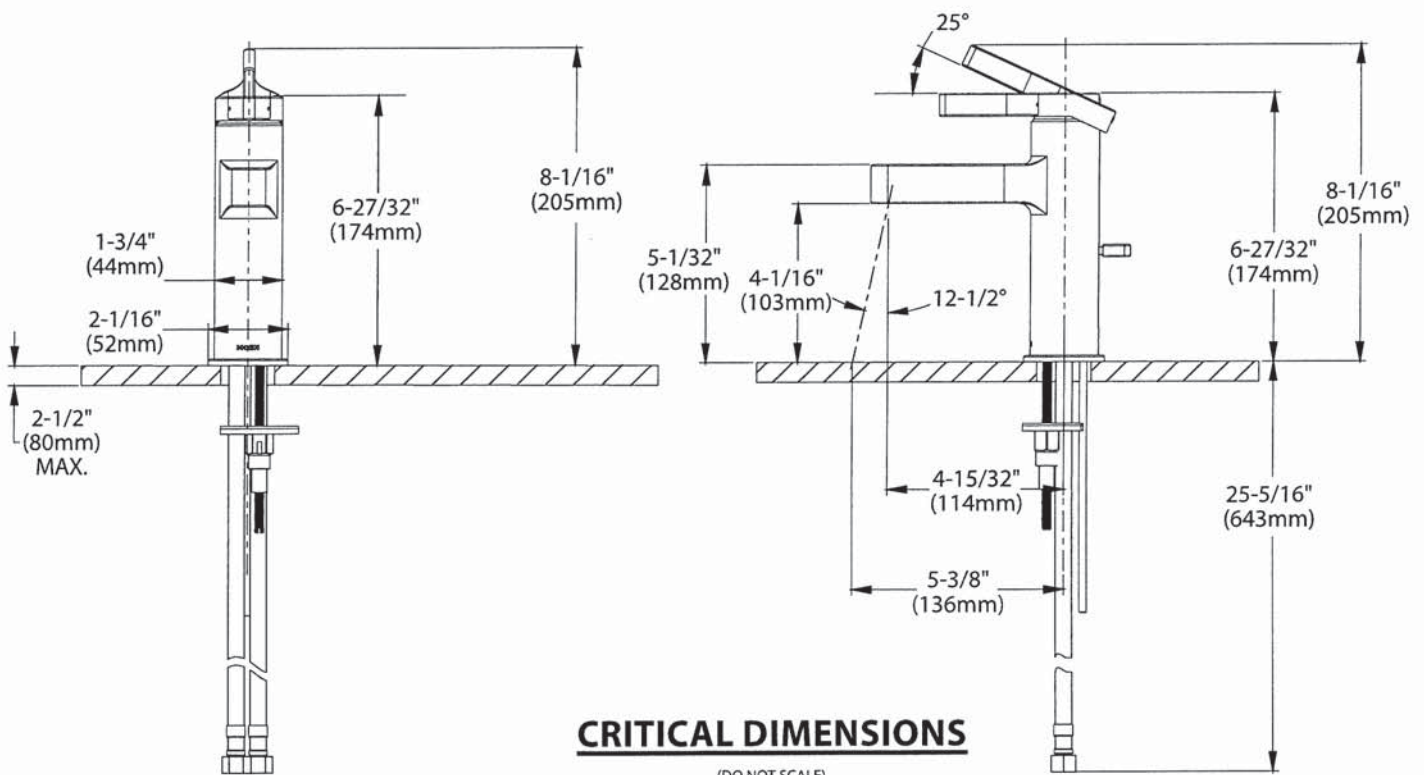
## Specifications



**Vichy™**  
 Single-Handle Lavatory Faucet

Model: 6710

**NOTE:** THIS FAUCET IS DESIGNED TO BE INSTALLED THRU 1 HOLE, 1-1/4" MIN. DIA.



PRINCIPAL (MASTER) ENSUITE  
TUB

# MOEN®

## Specifications

### DESCRIPTION


- Metal construction with various finishes identified by suffix

### OPERATION

- Lever style handles with hot and cold color indicator
- Rotate hot side handle counterclockwise to open (clockwise to close) and the cold side handle (clockwise to open) and (counterclockwise to close)

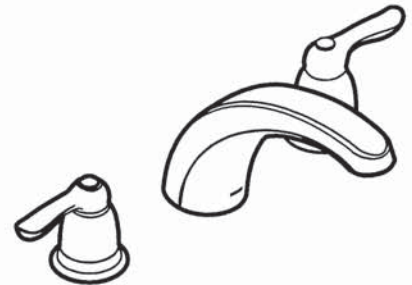
### STANDARDS

- Third party certified to: ASME A112.18.1/CSA B-125.1, and all applicable requirements referenced therein

- ADA  for lever handles

### WARRANTY

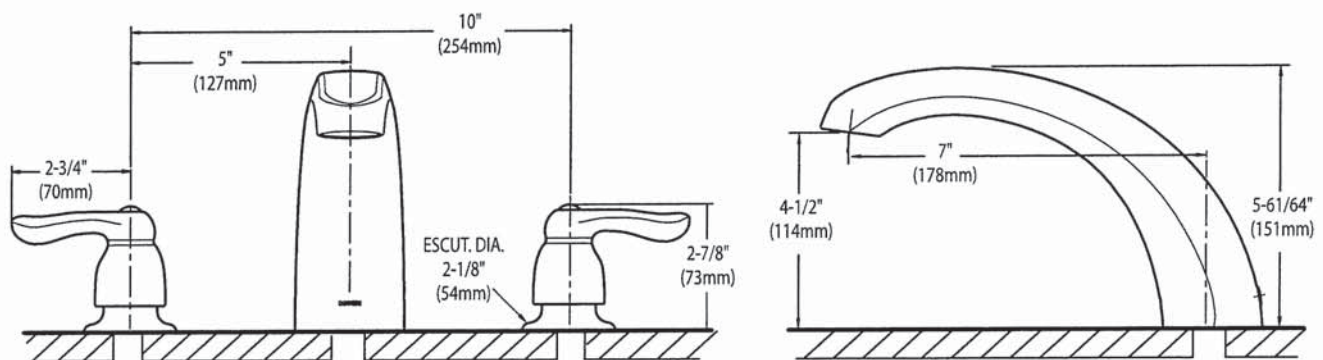
- Lifetime limited warranty against leaks, drips and finish defects to the original homeowner
  - 10 year limited warranty when used in a multi-family installation
  - 5 year limited warranty when used in a commercial installation
- Visit [www.moen.com/support](http://www.moen.com/support) for complete details and limitations



**CHATEAU®**  
Two-Handle Garden Tub Trim

**Models:** T994 series

**Valves:** 4792, 4793, 4794, 4796, 4797, 4798



### CRITICAL DIMENSIONS

(DO NOT SCALE)



PRINCIPAL ENSUITE SHOWER  
 ENSUITE 4 SHOWER, SHARED BATHROOM TUB  
 AND LOWER LEVEL BATHROOM SHOWER



Buy it for looks. Buy it for life.®

There is more than 1 version of this model.  
 Page down to identify the version you have.

**DESCRIPTION**

- Metal construction with various finishes identified by suffix
- Includes non-metallic showerhead, arm, flange and non-metallic diverter tub spout

**OPERATION**

- Handle operates counterclockwise through a 270° arc with off at 6 o'clock and maximum hot at the 9 o'clock position. Shut off in clockwise direction
- Adjustable temperature limit stop to control maximum hot water temperature
- Pressure balancing mechanism maintains selected discharge temperature to ± 3°

**FLOW**

- Showerhead is limited to 2.5 gpm (9.5 L/min) at 80 psi
- EP suffix models are limited to 1.75 gpm (6.6 L/min) at 80 psi
- NH suffix models contain no showerhead

**CARTRIDGE**

- 1222 cartridge design
- Accommodates back to back installations
- Nonmetallic/nonferrous and stainless steel material

**STANDARDS**

- Third party certified to meet ASME A112.18.1/CSA B125.1 and all applicable requirements referenced therein
- EP suffix models are third party certified to WaterSense®

- ADA for lever handle

**WARRANTY**

- Lifetime limited warranty against leaks, drips and finish defects to the original consumer purchaser
- 5 year warranty if used in commercial installations

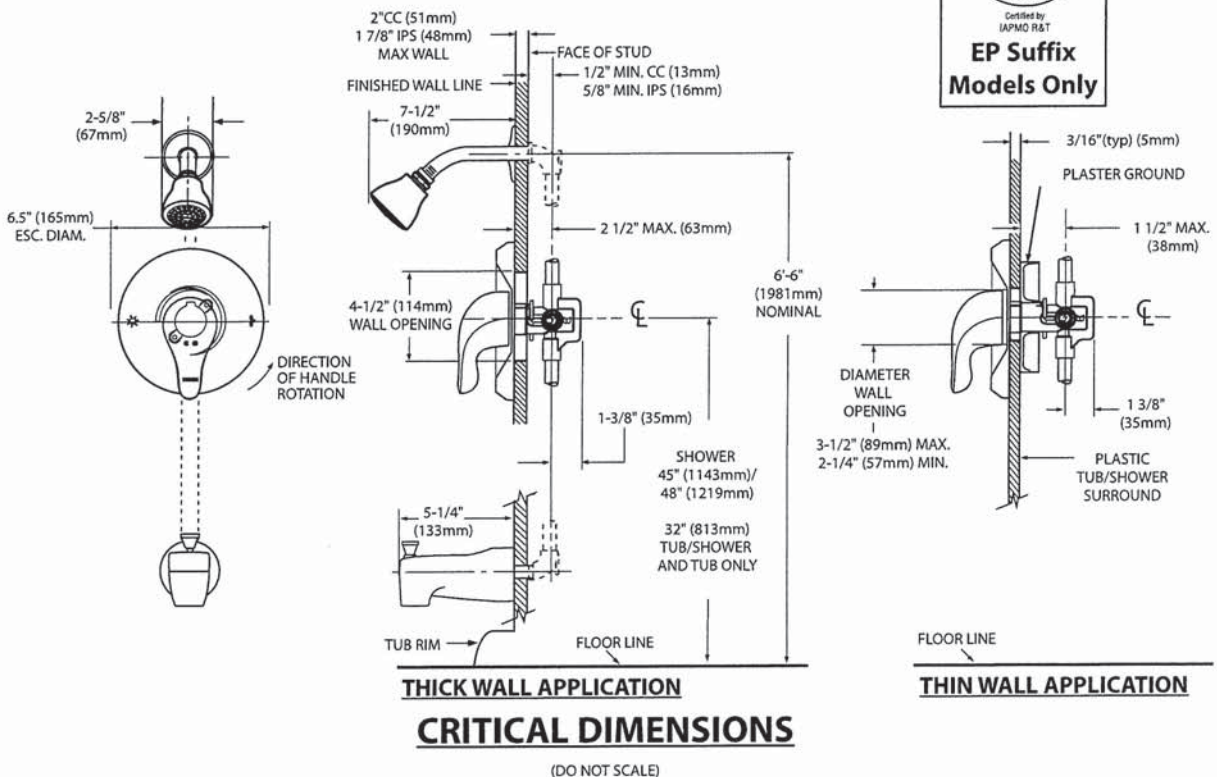
## Specifications



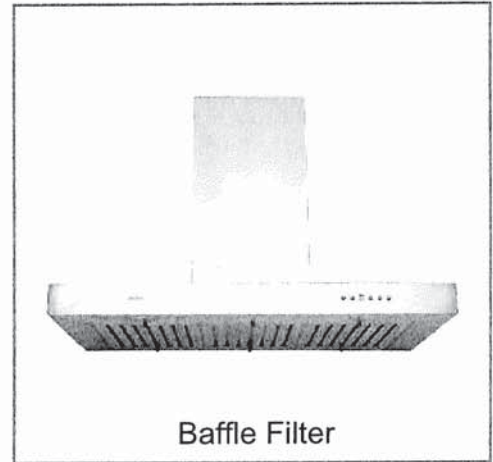
**CHATEAU® POSI-TEMP®  
 Single-Handle Tub/Shower Trim Kit**

- Models:** TL181 series - valve trim only (Bulk Packed 12 per carton)  
 TL182 series - shower trim only (Bulk Packed 12 per carton)  
 TL183 series - tub/shower trim (Bulk Packed 12 per carton)

- Valves:** 62300 series  
 2500 series



## SC(B)514 | ALITO Collection



### Wall Mount

The SC(B)514 makes a statement of strength and power with a bold frame and 550 CFM fan. Features mesh or baffle filters, two bright LED lights and a three-speed panel for total control. It is also fitted with a time-delay OFF feature up to nine minutes.

### Green Features



3 Speed Push Button Control Panel



Long-Lasting LED Lights



Time-Delay OFF Feature



Grease Cup



Model	Colour	Ducting	Filters	Size	CFM
SCB51430	Stainless Steel	6"	Baffle	30"	550
SCB51436	Stainless Steel	6"	Baffle	36"	550

### Cyclone Range Hoods Inc.

1361 Huntingwood Drive, Unit 16. Toronto, ON. M1S 3J1. Canada.

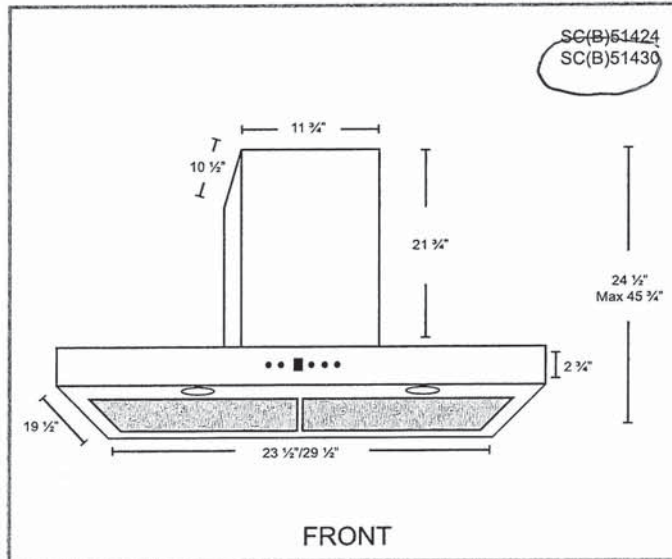
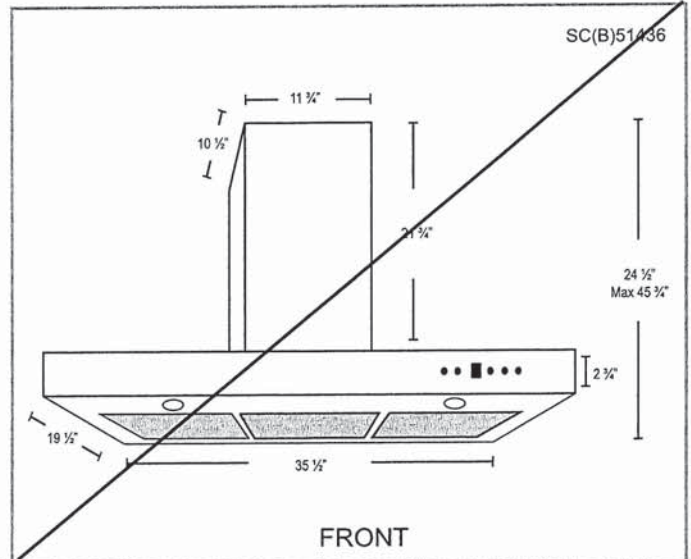
Toll Free: 1-888-293-5662 Tel: (416) 293-0933 Fax: (416) 293-4793 Website: [www.CycloneRangeHoods.com](http://www.CycloneRangeHoods.com)

## SC(B)514 | ALITO Collection



### Features

- Wall mount range hood
- 6" round duct adapter
- Non-stick aluminum fan blades
- 3 speed push button control
- 2 LED lights (2 x 1.4W, 4000K)
- Quick release aluminum mesh filters
- Standard chimney fits up to 9 ft. ceiling
- Up to 9 minutes time-delay OFF feature
- Plug-in connection



### Options

- Filters:

SCB514 - Quick Release Stainless Steel Baffle Filters

- Chimney Flues:

- B2.CH16 - short (7'-8' ceilings)
- B2.CH22 - standard (8'-9' ceilings)
- B2.CH32 - extended (9'-11' ceilings)

- Widths: 30" } 36"

### Specifications

- Air Flow Volume: 550 CFM
- Electrical Connection: 120 V/60 Hz
- Power Consumption: 300 Watts

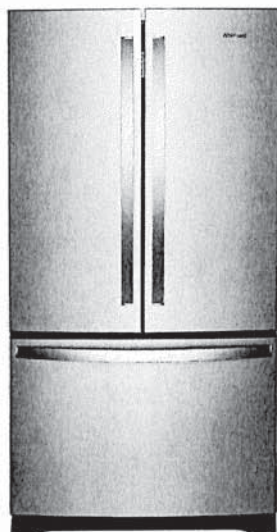
- Current: 2.5 Amps
- Fan Speed: 1599 RPM
- Fan Type: Centrifugal Blower

- Finishes: Stainless Steel
- Ducting: 6" Round
- Noise Level: Min. 2 Sones  
Max. 6 Sones





## 20 cu. ft. French Door Refrigerator WRF540CWH



Fingerprint-Resistant Stainless  
 WRF540CWHZ

### Also available in:

- White **WRF540CWHW**
- Black **WRF540CWHB**
- Fingerprint-Resistant Black Stainless **WRF540CWHV**

### Key Features & Benefits

#### Fingerprint Resistant

Resists fingerprints and smudges with an easy-to-clean finish.

#### Counter Depth Design

Add additional kitchen space with styling that fits virtually flush with the countertop.

#### Humidity-Controlled Crispers

Store fruits and veggies in their ideal environment.

### Capacity

Total Capacity	20 cu. ft.
Refrigerator Capacity	14 cu. ft.
Freezer Capacity	6 cu. ft.

### General Features & Properties

- Interior Water Dispenser with EveryDrop® Water Filtration
- Full-Width, Temperature-Controlled Drawer
- Frameless Glass Shelves
- Gallon Door Bins
- Accu-Chill™ Temperature Management System
- Adaptive Defrost
- FreshFlow™ Produce Preserver
- LED Interior Lighting
- Designed, Engineered and Assembled in the U.S.A.

### Electrical Details

Amps	20
Volts	115

### Certifications

ENERGY STAR® Certified Yes

### Technical Details

Refrigerator Type	French Door
Number of Doors	3
Number of Interior Refrigerator Shelves	5
Number of Refrigerator Door Bins	2 Fixed, 4 Adjustable
Number of Interior Freezer Shelves	1 Wire, 1 Plastic
Lighting Type	LED
Ice Maker	Factory Installed
Ice Maker Location	Freezer
Dispenser Type	Interior Water

### Dimensions

Product Dimensions (H x W x D)	70-1/8" x 35-5/8" x 29 3/8"
Depth with Door Open 90°	43"
Cutout Dimensions	Allow extra 1/2" on sides and top Allow extra 1" on rear

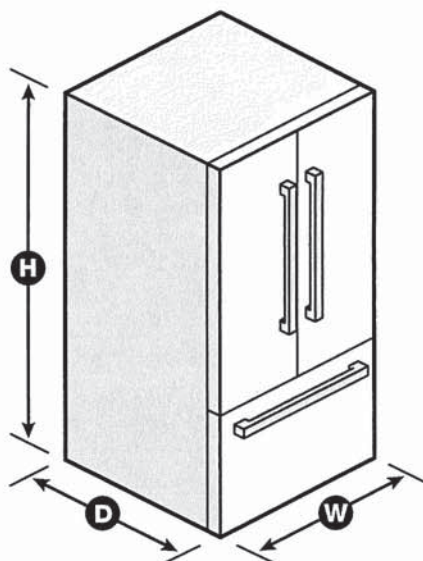
### Reference Material

[Dimension Guide](#)

[Use & Care Guide](#)

[Energy Guide](#)

[Warranty](#)



NOTE: Dimensions are for planning purposes only. For complete details, see Installation Instructions packed with product. Specifications subject to change without notice.

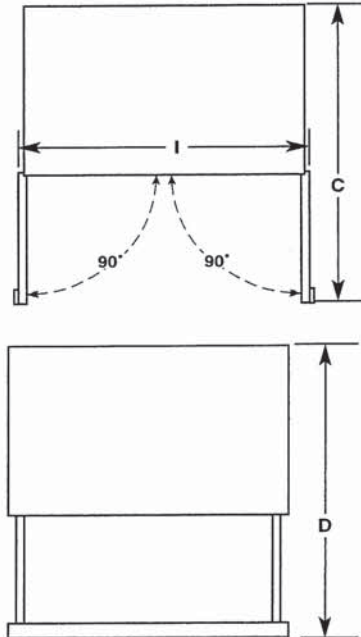
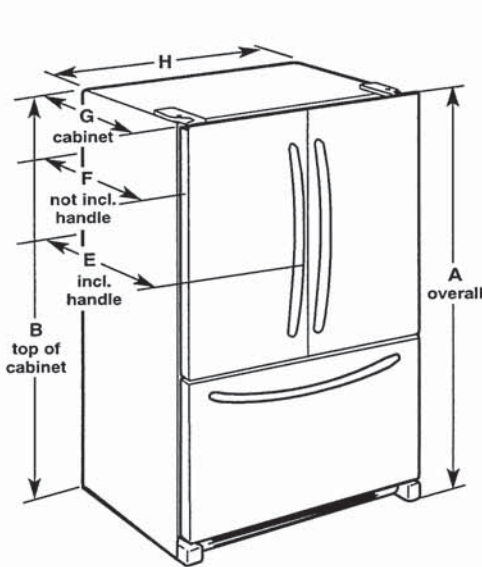
©/™ © 2020. All rights reserved. Printed in the U.S.A. D200052XXC. WRF540CWH SPECSHEETV01.



## French Door Bottom Mount Refrigerator

WRF532SMH, WRF540CWH, WRF535SMH

### PRODUCT DIMENSIONS



Model Number	WRF532SMH	WRF535SMH	WRF540CWH
Model Size	22.1 cu. ft.	25.2 cu. ft.	20.0 cu. ft.
Height - Overall "A"	70 <sup>1</sup> / <sub>8</sub> " (178.1 cm)	70 <sup>1</sup> / <sub>8</sub> " (178.1 cm)	70 <sup>1</sup> / <sub>8</sub> " (178.1 cm)
Height - Top of Cabinet "B"	68 <sup>7</sup> / <sub>8</sub> " (174.9 cm)	68 <sup>7</sup> / <sub>8</sub> " (174.9 cm)	68 <sup>7</sup> / <sub>8</sub> " (174.9 cm)
Depth - Doors Open 90° "C"	47 <sup>1</sup> / <sub>8</sub> " (119.7 cm)	48 <sup>1</sup> / <sub>8</sub> " (122.2 cm)	43" (109.2 cm)
Depth - Drawer Open "D"	52 <sup>1</sup> / <sub>8</sub> " (132.4 cm)	52 <sup>1</sup> / <sub>8</sub> " (132.4 cm)	45 <sup>3</sup> / <sub>8</sub> " (115.3 cm)
Depth - With Handles "E"	34 <sup>1</sup> / <sub>2</sub> " (87.4 cm)	35 <sup>1</sup> / <sub>2</sub> " (89.9 cm)	30 <sup>1</sup> / <sub>2</sub> " (77.5 cm)
Depth - Without Handles "F"	32" (81.3 cm)	33" (83.8 cm)	26 <sup>7</sup> / <sub>8</sub> " (68.3 cm)
Depth - Cabinet Only "G"	28 <sup>1</sup> / <sub>8</sub> " (71.3 cm)	29 <sup>1</sup> / <sub>8</sub> " (73.9 cm)	24 <sup>1</sup> / <sub>8</sub> " (61.2 cm)
Width - Cabinet "H"	32 <sup>5</sup> / <sub>8</sub> " (82.9 cm)	35 <sup>5</sup> / <sub>8</sub> " (90.5 cm)	35 <sup>5</sup> / <sub>8</sub> " (90.5 cm)
Width - Door Open 90° "I"	40 <sup>3</sup> / <sub>8</sub> " (102.6 cm)	43 <sup>3</sup> / <sub>8</sub> " (110.2 cm)	43 <sup>3</sup> / <sub>8</sub> " (110.2 cm)

**⚠ WARNING**

**Electrical Shock Hazard**

- Plug into a grounded 3 prong outlet.**
- Do not remove ground prong.**
- Do not use an adapter.**
- Do not use an extension cord.**

**Failure to follow these instructions can result in death, fire, or electrical shock.**

**Electrical:** A 115 V, 60 Hz, AC only 15 A or 20 A fused, grounded electrical supply is required. It is recommended that a separate circuit serving only your refrigerator be provided. Use an outlet that cannot be turned off by a switch. Do not use an extension cord.

**NOTE:** Before performing any type of installation, cleaning, or removing a light bulb, turn the control (Thermostat, Refrigerator or Freezer Control depending on the model) to OFF and then disconnect the refrigerator from the electrical source. When you are finished, reconnect the refrigerator to the electrical source and reset the control (Thermostat, Refrigerator or Freezer Control depending on the model) to the desired setting. See "Using the Controls."

**Water:** A cold water supply with water pressure between 35 psi and 120 psi (241 kPa and 827 kPa) is required to operate the water dispenser and ice maker. If you have questions about your water pressure, call a licensed, qualified plumber.

**IMPORTANT:** The pressure of the water coming out of a reverse osmosis system going to the water inlet valve of the refrigerator needs to be between 35 psi and 120 psi (241 kPa and 827 kPa).


**Reverse Osmosis Water Supply:**

If a reverse osmosis water filtration system is connected to your cold water supply, the water pressure to the reverse osmosis system needs to be a minimum of 40 psi to 60 psi (276 kPa to 414 kPa).

## Whirlpool® French Door Bottom Mount Refrigerator

### LOCATION REQUIREMENTS

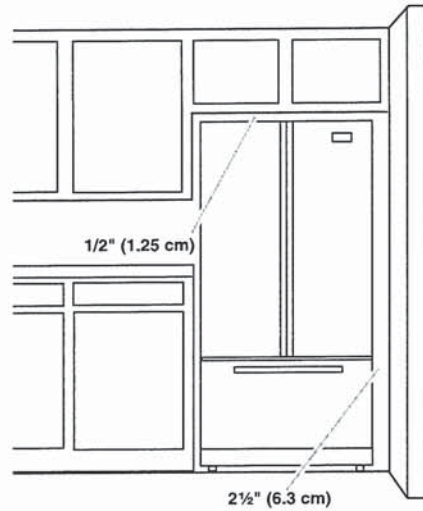
**⚠ WARNING**



**Explosion Hazard**

Keep flammable materials and vapors, such as gasoline, away from refrigerator.

Failure to do so can result in death, explosion, or fire.



**IMPORTANT:** This refrigerator is designed only for indoor, household use only.

To ensure proper ventilation for your refrigerator, allow for a 1/2" (1.25 cm) space on each side and at the top. Allow for 1" (2.54 cm) of space behind the refrigerator. If your refrigerator has an ice maker, make sure you leave some extra space at the back for the water line connections.

If you are installing your refrigerator next to a fixed wall, leave 2 1/2" (6.3 cm) minimum on the hinge side (some models require more) to allow for the door to swing open.

**NOTE:** This refrigerator is intended for use in a location where the temperature ranges from a minimum of 55°F (13°C) to a maximum of 110°F (43°C). The preferred room temperature range for optimum performance, which reduces electricity usage and provides superior cooling, is between 60°F (15°C) and 90°F (32°C). It is recommended that you do not install the refrigerator near a heat source, such as an oven or radiator.



## Front Control Electric Ranges

### PRODUCT MODEL NUMBERS

WEC310S0L    WEE515S0L    WEE515SAL    YWEE515S0L

### ELECTRICAL CONNECTION

To properly install your range, you must determine the type of electrical connection you will be using and follow the instructions provided for it here.

- Range must be connected to the proper electrical voltage and frequency as specified on the model/serial/rating plate. The model/serial/rating plate is located behind the oven door on the top right-hand side of the oven frame.
- This range is manufactured with the neutral terminal connected to the cabinet. Use a 3-wire, UL listed, 40- or 50-amp power supply cord (pigtail). See the following Range Rating chart. If local codes do not permit ground through the neutral, use a 4-wire power supply cord rated at 250 volts, 40- or 50-amps and investigated for use with ranges.

Range Rating*		Specified Rating of Power Supply Cord Kit and Circuit Protection
120/240 Volts	120/208 Volts	Amps
8.8 - 16.5 KW	7.8 - 12.5 KW	40 or 50**
16.6 - 22.5 KW	12.6 - 18.5 KW	50

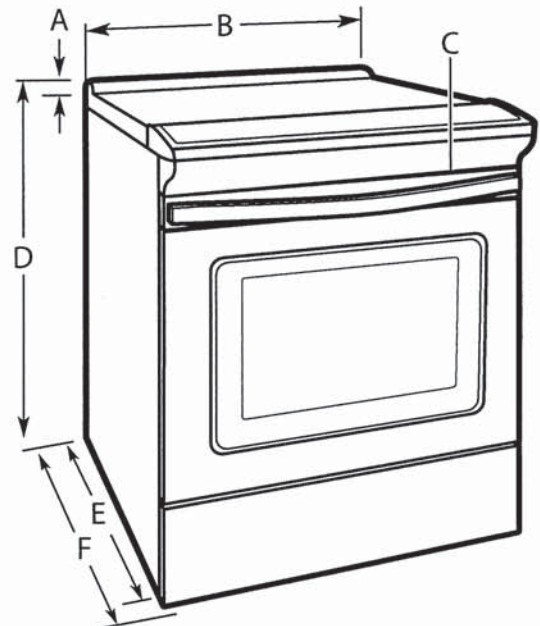
\* The NEC calculated load is less than the total connected load listed on the model/serial/rating plate.

\*\* If connecting to a 50-amp circuit, use a 50-amp rated cord with kit. For 50-amp rated cord kits, use kits that specify use with a nominal 1<sup>3/8</sup>" (3.5 cm) diameter connection opening.

- A circuit breaker is recommended.

### PRODUCT DIMENSIONS

This manual covers several models. Your model may appear different from the models depicted. Dimensions given are maximum dimensions across all models.



- A. 1<sup>3/8</sup>" (3.0 cm) height from cooktop to top of vent
- B. 29<sup>7/8</sup>" (75.9 cm)
- C. Model/serial/rating plate (located behind the oven door on the top right-hand side of the oven frame)
- D. WEE515SAL: 34" (86.4 cm) height to top of cooktop edge with leveling legs screwed all the way in\*  
Other models: 36" (91.4 cm) height to top of cooktop edge with leveling legs screwed all the way in\*
- E. 28<sup>25/64</sup>" (72.1 cm) max. depth from front of console to back of range
- F. 29<sup>1/64</sup>" (73.7 cm) max. depth from handle to back of range

**IMPORTANT:** Range must be level after installation. Follow the instructions in the "Level Range" section of the Owner's Manual. Using the cooktop as a reference for leveling the range is not recommended.

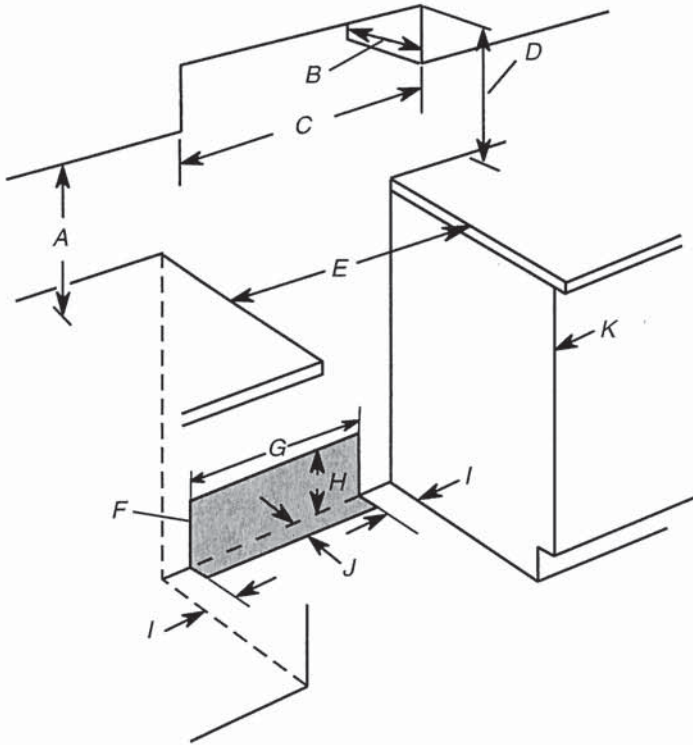
\* Range can be raised approximately 1" (2.5 cm) by adjusting the leveling legs.

## CABINET DIMENSIONS

Cabinet opening dimensions shown are for 25" (64.0 cm) countertop depth, 24" (61.0 cm) base cabinet depth and 36" (91.4 cm) countertop height.

**IMPORTANT:** If installing a range hood or microwave hood combination above the range, follow the range hood or microwave hood combination installation instructions for dimensional clearances above the cooktop surface.

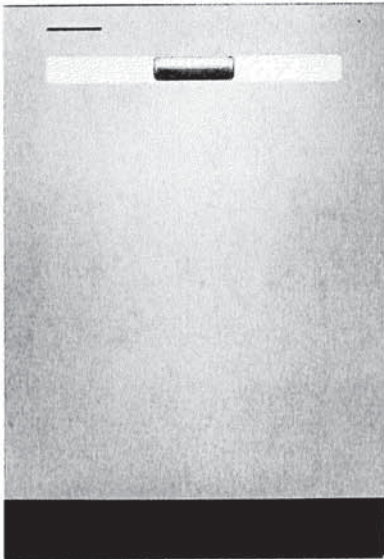
Range may be installed next to combustible walls with zero clearance.



- A. 18" (45.7 cm) upper side cabinet to countertop
- B. 13" (33 cm) max. upper cabinet depth
- C. 30" (76.2 cm) min. opening width
- D. For minimum clearance to top of cooktop, see NOTE\*.
- E. 30" (76.2 cm) min. opening width
- F. The shaded area is recommended for installation of grounded outlet.
- G. 13<sup>1</sup>/<sub>8</sub>" (33.3 cm)
- H. 7<sup>1</sup>/<sub>16</sub>" (19.5 cm)
- I. 4<sup>13</sup>/<sub>16</sub>" (12.2 cm)
- J. 3<sup>11</sup>/<sub>16</sub>" (9.4 cm)
- K. Cabinet door or hinges should not extend into the cutout.

\*NOTE: 24" (61.0 cm) minimum when bottom of wood or metal cabinet is shielded by not less than 1/4" (0.64 cm) flame retardant millboard covered with not less than No. 28 MSG sheet steel, 0.015" (0.4 mm) stainless steel, 0.024" (0.6 mm) aluminum or 0.020" (0.5 mm) copper. 30" (76.2 cm) minimum clearance between the top of the cooking platform and the bottom of an uncovered wood or metal cabinet.





## WDP540HAM

Whirlpool® 55 dBA Quiet Dishwasher with Boost Cycle and Pocket Handle  
Dimensions: h: 33 1/2" w: 23 7/8" d: 24 1/2"

Available in   

### THREE 5" CUP SHELVES

Free up extra space with Three 5" Cup Shelves.

### EXTENDED SOAK CYCLE

Presoak and wash in one cycle with the Extended Soak Cycle

### HYBRID TUB WITH DARK GRAY INTERIOR

Hybrid Tub with Dark Gray Interior helps mask food stains.

## EXTRAS



### QUALIFYING QUESTION

Do you have enough room to fit all your cups in one load? or do you wash by hand?



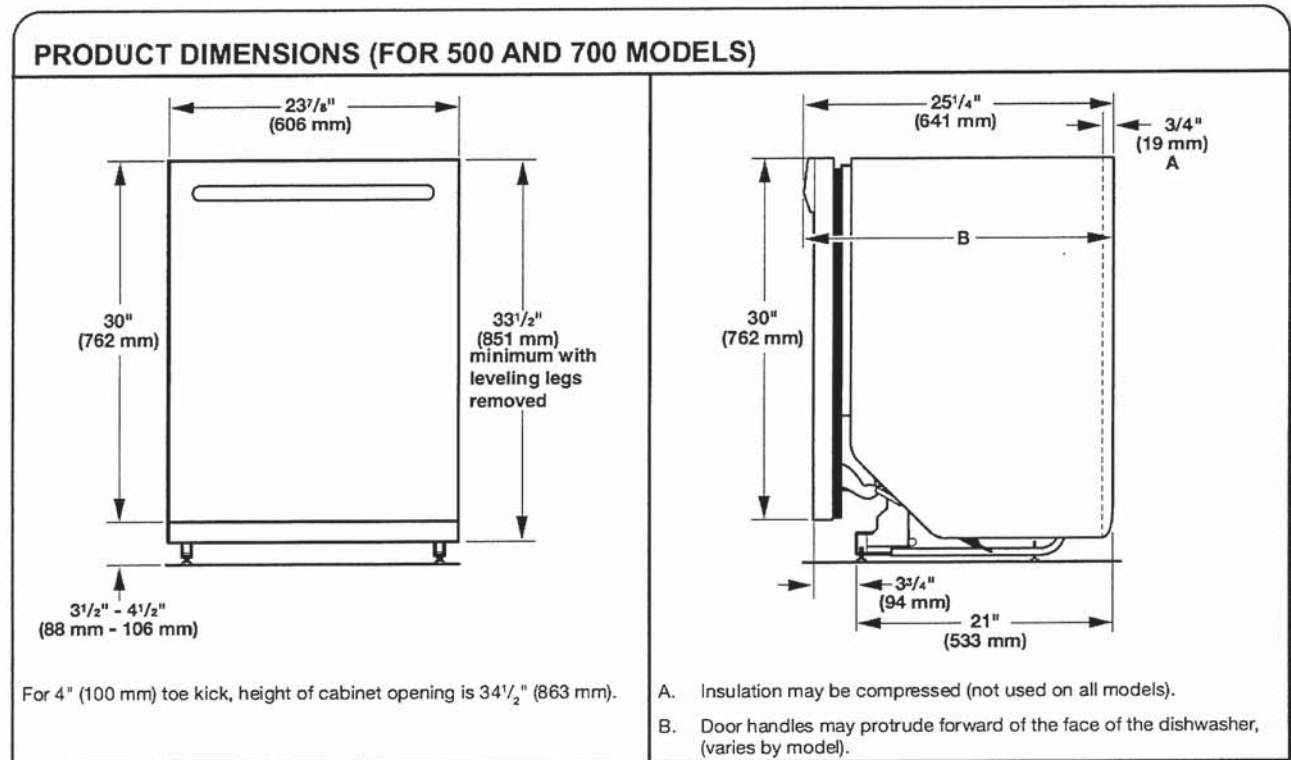
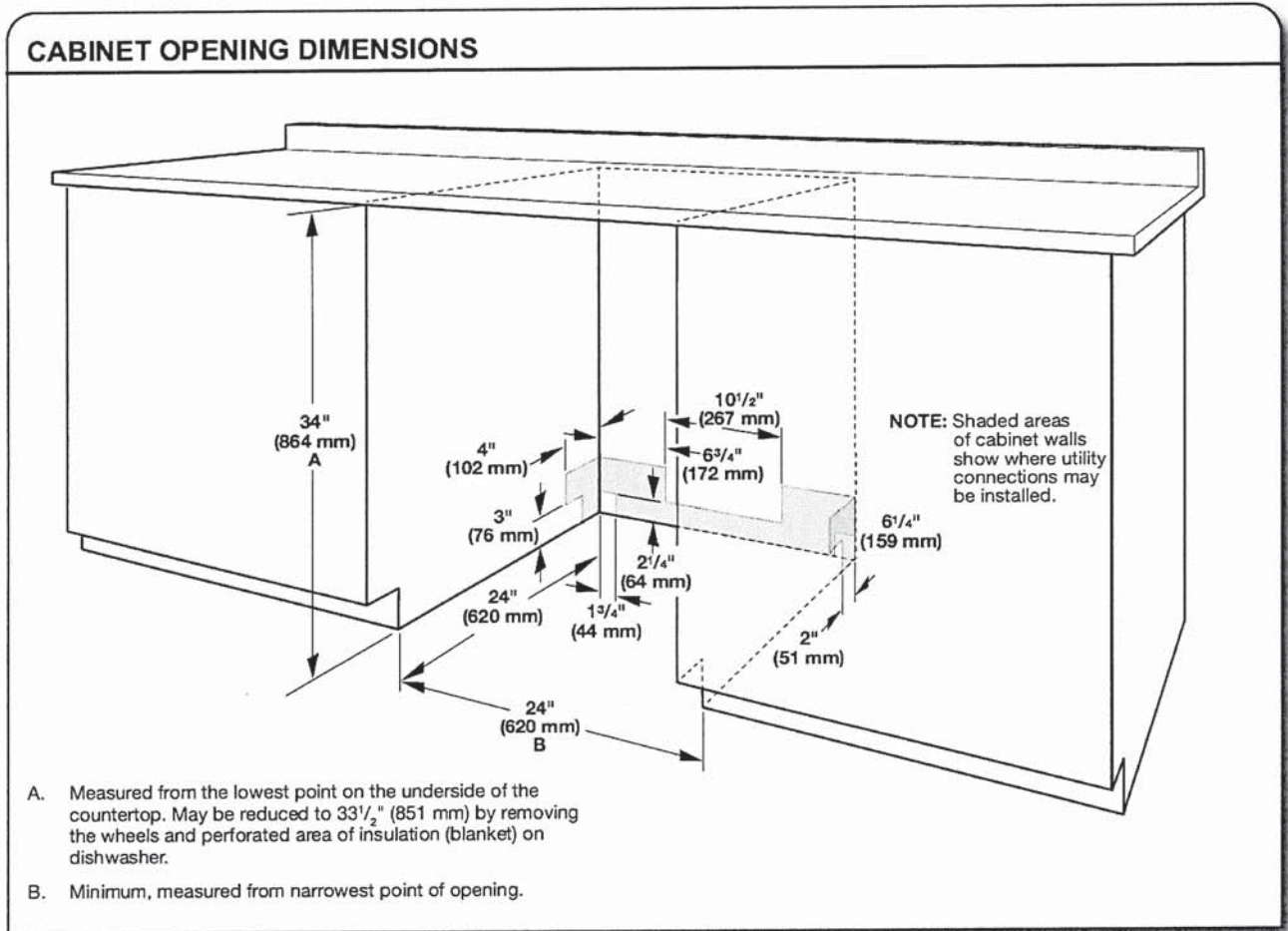
### MORE INFORMATION

Three 5" Cup Shelves fit six additional cups or small bowls to free up extra space in the racks below and conveniently fold down to stay out of the way when not in use.



### DEMO

Load coffee mugs on the rack and measuring cups on the cup shelf above to show how to load more in the second rack.



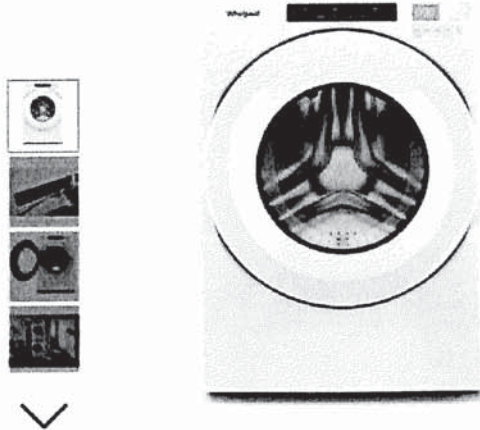
Because Whirlpool Corporation policy includes a continuous commitment to improve our products, we reserve the right to change materials and specifications without notice.

Dimensions are for planning purposes only. For complete details, see Installation Instructions packed with product. Specifications subject to change without notice.

## 5.0 cu.ft I.E.C. Closet-Depth Front Load Washer with Intuitive Controls

Model: WFW560CHW

- Overview
- Specifications
- Reviews
- You May Also Like
- Help And Resources
- Find In Store



### Key Features

- #1 in Customer Satisfaction in the J.D. Power 2020 Laundry Appliances Satisfaction Study
- 5.0 cu. ft. I.E.C. Capacity
- ENERGY STAR® Certified
- Intuitive Controls
- Sanitize Cycle with Oxi

### Color

White



## Specifications

**Width:**  
 6858.00, 27.0"  
 Centimeters, Inches

**Depth:**  
 8016.88, 31-9/16"  
 Centimeters, Inches

### Dimensions

Capacity	4-3/10
Depth	8016.88 cm, 31-9/16 in
Gross Weight	97068688.00 kg, 214 lbs
Net Weight	92532768.00 kg, 204 lbs
Width	6858.00 cm, 27.0 in

### Appearance

LCD Touch Screen	No
Window	Yes

### Details

Advanced Vibration Control™	No
Dispense System	Detergent, Fabric Softener & Bleach
Eco Monitor/Efficiency Monitor	No
Hoses Included	4ft 4in Drain Hose Included
Internal Heater	No
Maximum Spin Speed	1160
Out Of Balance Sensing	Yes
Water Factor	3-1/5

### Cycles and Options

Number Of Wash Cycles	35
-----------------------	----

### Electrical

Power Cord Included	Yes
---------------------	-----

### Controls

Automatic Temperature Controls	Yes
Control Location	Front
LCD Touch Screen	No

### Compatibility

Works With	No
------------	----

### Options

Number Of Washer Options	7
--------------------------	---

### Features

Stackable	Yes
Water Faucet	No

### Cycles

Number Of Wash Cycles	35
-----------------------	----

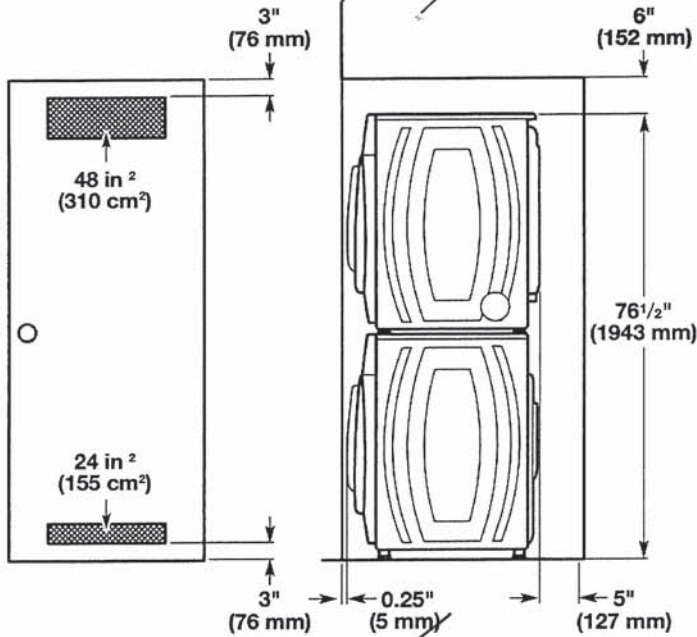
### Exterior

Lid/Door Lock	Yes
Lid/Door Swing	Left

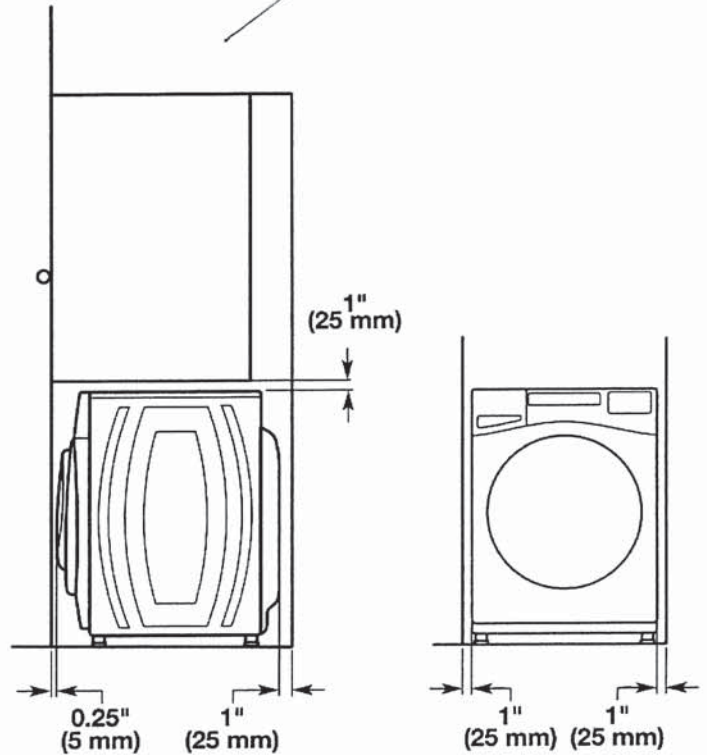
### Modifiers

Delay Start	No
Number Of Rinse Options	2
Number Of Soil Levels	3
Number Of Spin Speeds	4
Number Of Wash/Rinse Temperatures	4
Pre Soak	Yes
Temperature Selections	Hot, Cold, Cool, Warm

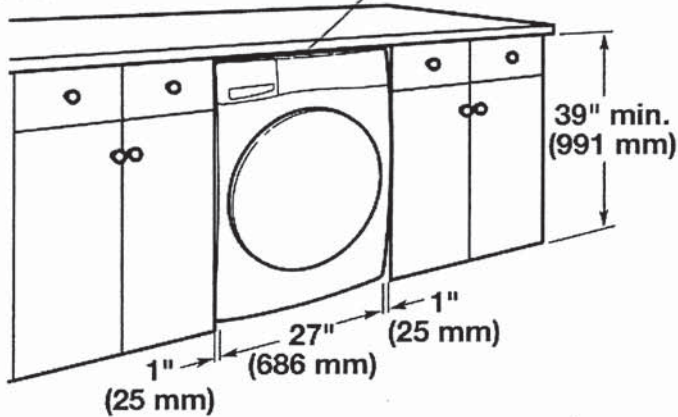
### Recessed area or closet installation (stacked washer and dryer)



### Custom cabinet installation



### Custom under counter installation



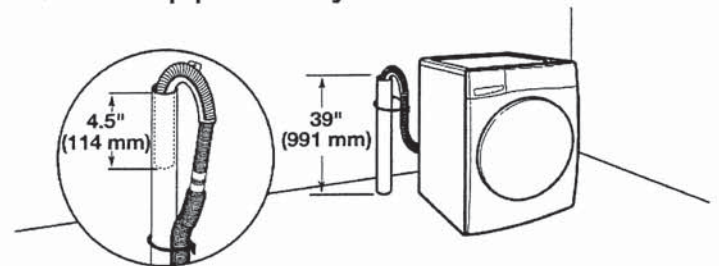
### Drain System

It is the responsibility of the installer to install and secure the drain hose in to the provided plumbing/drain in a manner that will avoid the drain hose coming out of or leaking from the plumbing/drain.

Drain system can be installed using a floor drain, wall standpipe, floor standpipe, or laundry tub. Select the method you need.

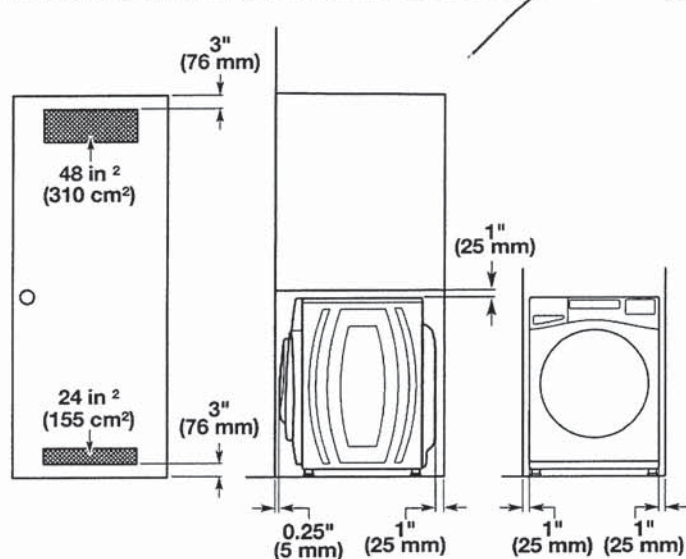
**IMPORTANT:** To avoid siphoning, only 4.5" (114 mm) of drain hose should be inside standpipe. Always secure drain hose with cable tie.

### Floor standpipe drain system

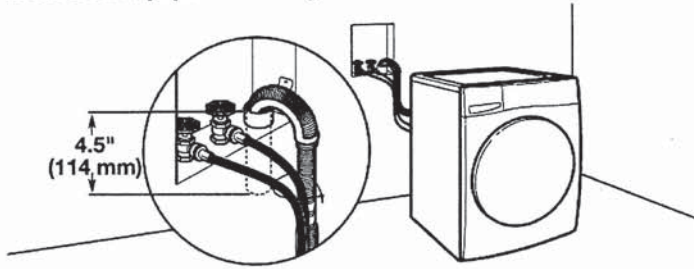


Minimum diameter for a standpipe drain: 2" (51 mm). Minimum carry-away capacity: 17 gallons (64 L) per minute. A 1/4" (6 mm) diameter to 1" (25 mm) diameter Standpipe Adapter Kit is available; refer to the Quick Start Guide for online ordering information. Top of standpipe must be at least 39" (762 mm) high; install no higher than 96" (2.4 m) from bottom of washer. If you have an overhead sewer and need to pump higher than 96" (2.4 m), a sump pump and associated hardware are needed. See "Alternate Parts."

### Recessed area or closet installation (washer only)

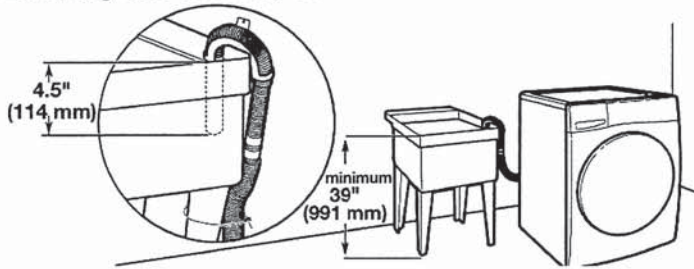


### Wall standpipe drain system

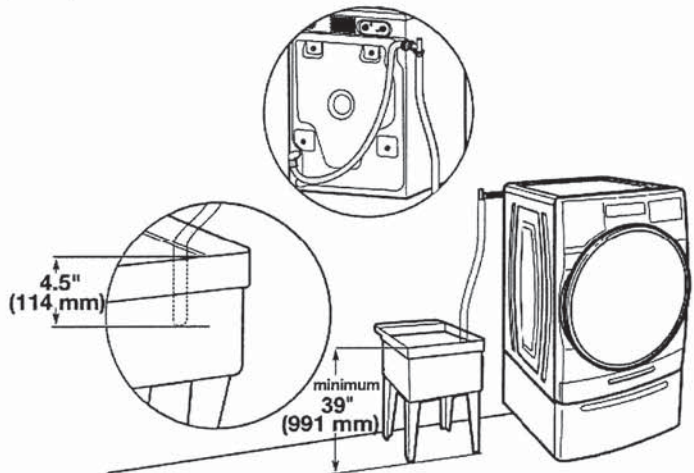


See requirements in "Floor standpipe drain system."

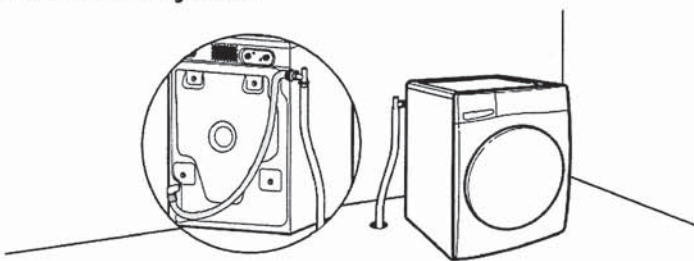
### Laundry tub drain system



Minimum capacity: 20 gallons (76 L). Top of laundry tub must be at least 39" (991 mm) from the floor; install no higher than 96" (2.4 m) from bottom of washer.



### Floor drain system



Floor drain system requires a Siphon Break Kit, 2 Connector Kits, and an Extension Drain Hose that may be purchased separately; refer to the Quick Start Guide for online ordering information. Minimum siphon break height: 28" (710 mm) from bottom of washer. (Additional hoses may be needed.)

## Electrical Requirements

### ⚠ WARNING



#### Electrical Shock Hazard

Plug into a grounded 3 prong outlet.

Do not remove ground prong.

Do not use an adapter.

Do not use an extension cord.

Failure to follow these instructions can result in death, fire, or electrical shock.

- A 120 V, 60 Hz, AC only, 15 or 20 A, fused electrical supply is required. A time-delay fuse or circuit breaker is recommended. It is recommended that a separate circuit breaker serving only this appliance be provided.
- This washer is equipped with a power supply cord having a 3-prong grounding plug.
- To minimize possible shock hazard, the cord must be plugged into a mating, 3-prong, grounding-type outlet, grounded in accordance with local codes and ordinances. If a mating outlet is not available, it is the personal responsibility and obligation of the customer to have the properly grounded outlet installed by a qualified electrician.
- If codes permit and a separate ground wire is used, it is recommended that a qualified electrician determine that the ground path is adequate.
- Do not ground to a gas pipe.
- Check with a qualified electrician if you are not sure the washer is properly grounded.
- Do not have a fuse in the neutral or ground circuit.

### GROUNDING INSTRUCTIONS

#### For a grounded, cord-connected appliance:

This appliance must be grounded. In the event of a malfunction or breakdown, grounding will reduce the risk of electric shock by providing a path of least resistance for electric current. This appliance is equipped with a cord having an equipment-grounding conductor and a grounding plug. The plug must be plugged into an appropriate outlet that is properly installed and grounded in accordance with all local codes and ordinances.

**WARNING:** Improper connection of the equipment-grounding conductor can result in a risk of electric shock. Check with a qualified electrician or serviceman if you are in doubt as to whether the appliance is properly grounded. Do not modify the plug provided with the appliance: If it will not fit the outlet, have a proper outlet installed by a qualified electrician.

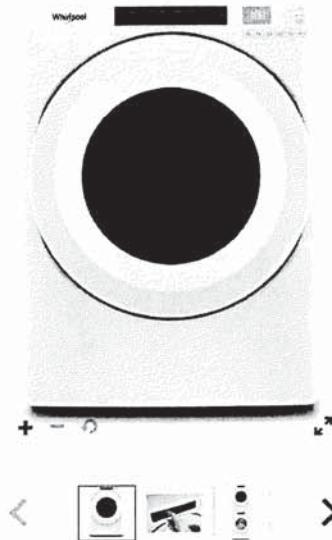
#### For a permanently connected appliance:

This appliance must be connected to a grounded metal, permanent wiring system, or an equipment-grounding conductor must be run with the circuit conductors and connected to the equipment-grounding terminal or lead on the appliance.

**SAVE THESE INSTRUCTIONS**

WHIRLPOOL DRYER Model #: YWED5620HW

Whirlpool Brand Canada English | Washer and Dryers | Dryers | Electric Dryers | YWED5620HW



Define Your Style

**7.4 cu. ft. Front Load Electric Dryer with Intuitive Touch Controls**

**Whirlpool** 7.4 cu. ft. Front Load Electric Dryer with Intuitive Touch Controls

Model #: YWED5620HW

**Dimensions**

Depth	78.74 cm, 31.0 in
Depth With Door Open 90 Degree	138.43 cm, 54-1/2 in
Height	98.42 cm, 38-3/4 in
Width	68.58 cm, 27.0 in

**Configuration and Overview**

Fuel Type	Electric
-----------	----------

**Cycles and Options**

Cycle Time Remaining	Yes
Lint Filter Indicator	No
Number of Dryer Cycles	36
Number of Dryness Levels	3

**Ventilation System**

Long Vent	No
Maximum Vent Length	64
Venting Direction	Left, Right, Bottom, Rear

**Electrical**

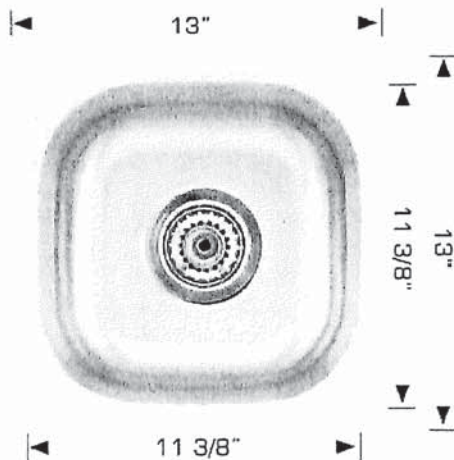
Hz	60
Power Cord Included	Yes

SPACES KITCHENETTE  
 & LAUNDRY CLOSET APPLIANCES



Phone: 416-742-1888 | Fax: 416-742-6888  
 www.boscoCanada.com | info@boscoCanada.com  
 5171 Steeles Avenue West | Toronto, Ontario M9L 1R5

## Builder Series - Model:207023 Undermount

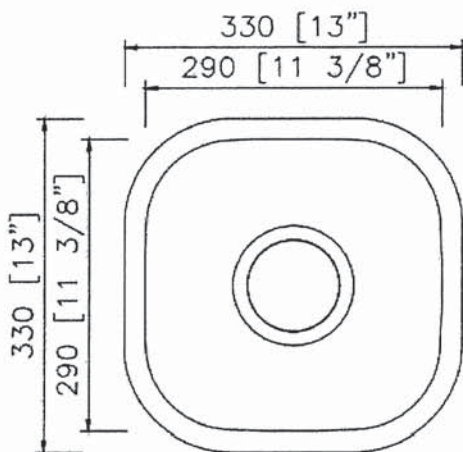


### Specifications:

- 304 Stainless Steel
- 18 Gauge
- Template
- Strainer
- Undermount Clips
- 6 1/2" Deep

Outside: 13" x 13" x 6 1/2"  
 Inside: 11 3/8" x 11 3/8" x 6 1/2"

Minimum cabinet size 15"



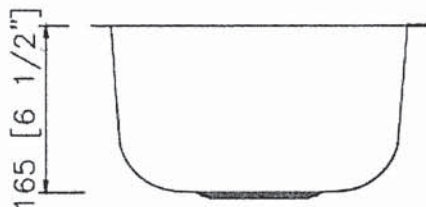
### Certification/Warranty

- ASME A 112.19.3
- CSA B45.4
- Limited Lifetime Warranty

### Optional Accessories



Model: G207023  
 Grid



Bosco Canada Inc. is known around the world for producing high quality kitchen sinks that incorporate modern design and functional superiority in every piece they manufacture.

# MOEN®

## Specifications

### FAUCET DESCRIPTION

- Reflex™ pulldown system offers smooth operation, easy movement and secure docking
- Power Clean™ spray technology
- Metal construction with various finishes identified by suffix
- Quick connect installation
- Pulldown spray with 68" braided hose
- Flexible supply lines with 3/8" compression fittings
- High arc spout provides the perfect height and reach for prep sinks while the pulldown feature provides maneuverability for food preparation tasks
- 360° rotating spout provides ability to install handle on either side
- Faucet designed for handle to be mounted on right side

### OPERATION

- Lever style handle
- Temperature controlled by 100° arc of handle travel
- Operates with less than 5 lbs. of force
- Operates in stream or spray mode in the pullout or retracted position


### FLOW

- Flow is limited to 1.5 gpm (5.7 L/min) max at 60 psi

### CARTRIDGE

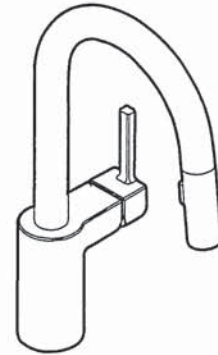
- 1255™ Duralast™ cartridge for Single-Handle Faucets

### STANDARDS

- Third party certified to IAPMO Green, ASME A112.18.1/CSA B125.1 and all applicable requirements referenced therein including NSF 61/9G & 372
- Meets CalGreen and Georgia SB370 requirements
- Complies with California Proposition 65 and with the Federal Safe Drinking Water Act
- The backflow protection system in the device consists of two independently operating check valves, a primary and a secondary which prevent backflow
- ADA  for lever handle

### WARRANTY

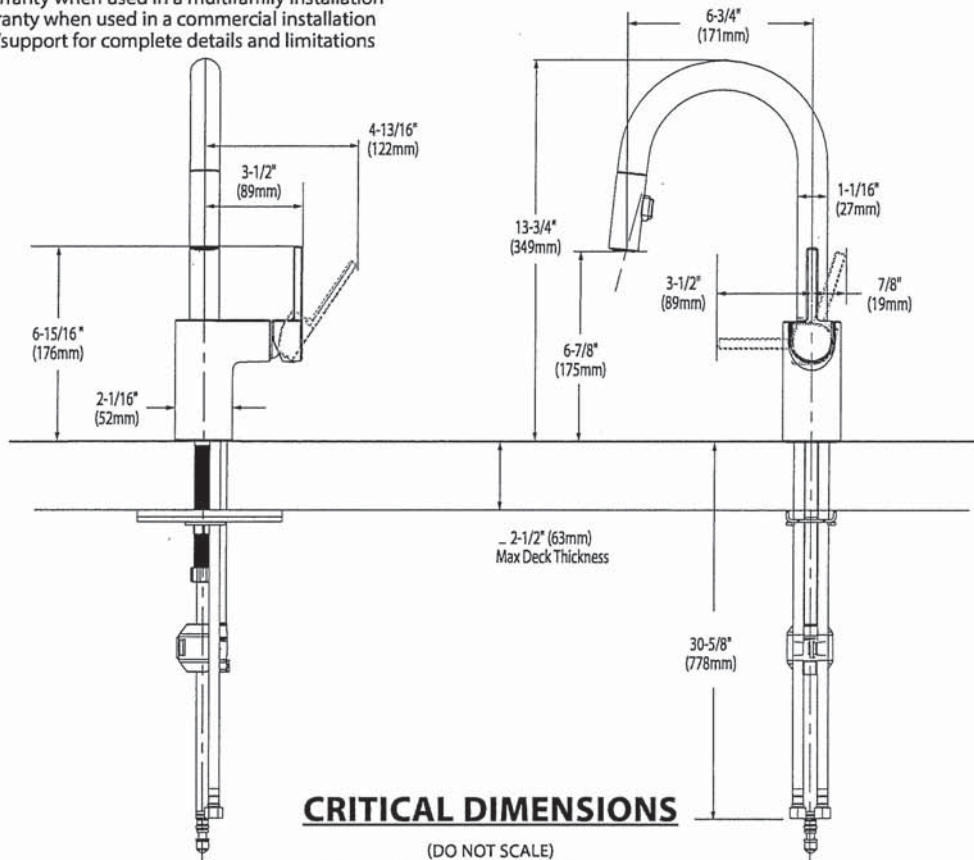
- Lifetime limited warranty against leaks, drips and finish defects to the original homeowner
  - 10 year limited warranty when used in a multifamily installation
  - 5 year limited warranty when used in a commercial installation
- Visit [www.moen.com/support](http://www.moen.com/support) for complete details and limitations



**ALIGN™**  
 Single Handle High Arc  
 Pulldown Prep/Bar Faucet

**Models:** 5965 series

**NOTE:** THIS FAUCET IS DESIGNED TO BE INSTALLED THROUGH 1 HOLE, 1-1/2" (38mm) MIN. DIA. (OPTIONAL 3-HOLE ESCUTCHEON 141002 AVAILABLE)





## Frigidaire



Bottom Freezer Refrigerator

11.5 Cu. Ft. Bottom Freezer Refrigerator

FRBG1224AV

Available Colors : Brushed Steel

Version : 08/21

Refrigerator	
Crisper Color	Clear
Door Bin Color	Clear
Interior Lighting	LED
Shelf Material	Glass
Number of Fixed 2 Liter Door Bins	1
Number of Other Door Bins	2
Total Number of Door Bins	3
Number of Adjustable Shelves	2
Number of Fixed Shelves	1
Number of Crispers	1

Freezer	
Automatic Defrost	Yes
Baskets / Bins Color	Clear
Drawer Color	Clear
Number of Baskets / Bins	3
Number of Drawers	3

Controls	
Control Location	Top Center of Fresh Food

Exterior	
Door Finish	Smooth
Door Stops	Yes

Dimensions and Volume	
Height With Hinge	72 8/10"
Width	23 6/10"
Width of Cabinet	23 42/100"
Depth of Cabinet	23 23/100"
Depth With Door	27 2/10"
Freezer Capacity	3.72 Cu. Ft.
Fresh Food Capacity	7.79 Cu. Ft.
Total Capacity	11.51 Cu. Ft.

Electrical Specifications	
Amps @ 120 Volts	1.1 Amps

General Specifications	
Annual Energy	397 kWh
Condenser Type	Air-cooled
Leveling Legs	Yes
Prop 65 Label	Yes
Refrigerant Type	R-600A
Warranty - Labor	1 Year
Warranty - Parts	1 Year

Performance Certifications and Approvals	
ENERGY STAR Certified	Yes

Safety Certifications and Approvals	
CSA Listed	Yes

**REFRIGERATOR DOOR SWING**  
**LEFT HAND DOOR OPENING**  
 - HINGES ON LEFT  
 - HANDLE ON RIGHT

**REFRIGERATOR DOOR SWING**  
**RIGHT HAND DOOR OPENING**  
 - HINGES ON RIGHT ✓  
 - HANDLE ON LEFT

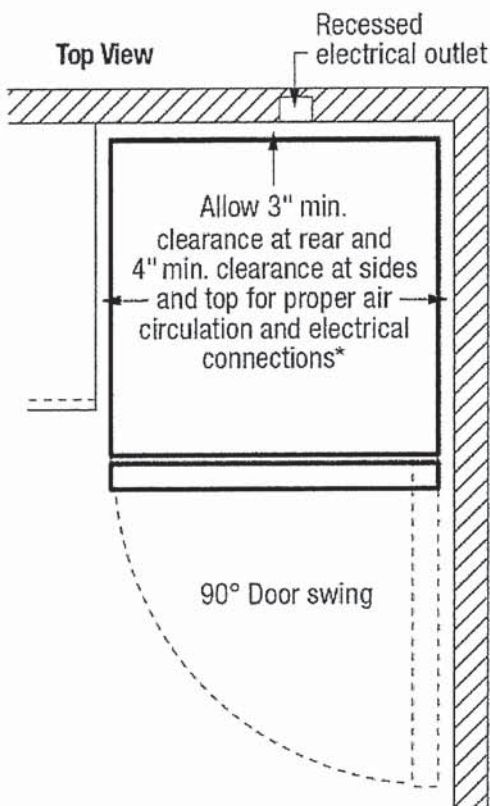
GARAGE LEFT

## Frigidaire

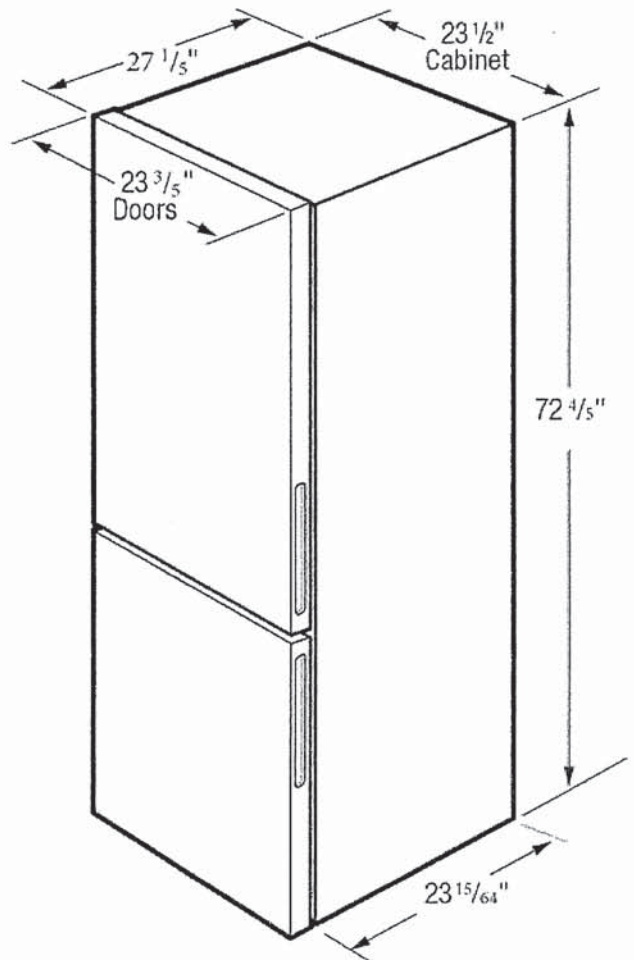
11.5 Cu. Ft. Bottom Freezer Refrigerator

FRBG1224AV

Version : 08/21



\* When installing refrigerator adjacent to wall, cabinet or other appliance that extends beyond front edge of unit, 20" minimum clearance recommended to allow for optimum 140° door swing.



Note: For planning purposes only. Always consult local and national electric, gas and plumbing codes. Refer to Product Installation Guide for detailed installation instructions on the web at [frigidaire.com](http://frigidaire.com) / [frigidaire.ca](http://frigidaire.ca). Specifications SUBJECT TO CHANGE. Accessories information available on the web at [frigidaire.com](http://frigidaire.com) / [frigidaire.ca](http://frigidaire.ca).

USA • 10200 David Taylor Drive • Charlotte, NC 28262 • 1-800-FRIGIDAIRE • [frigidaire.com](http://frigidaire.com)  
CANADA • 5855 Terry Fox Way • Mississauga, ON L5V 3E4 • 1-800-265-8352 • [frigidaire.ca](http://frigidaire.ca)

## Whirlpool® 1.7 cu. ft. Over-the-Range Microwave Hood Combination WMH31017H



Fingerprint Resistant Stainless Steel  
 WMH31017HZ

### Capacity

Total 1.7 cu. ft.

### General Features & Properties

2-Speed, 300 CFM Motor Class

Add 30 Seconds Option

Adjustable Cooktop Lighting

### Electrical Details

Amps 16

Volts 120

### Technical Details

Microwave Type Over-the-Range

CFMs 300

Lighting Type Incandescent

Number of Speeds 2

Venting Type Updraft

### Dimensions

Product Dimensions (H x W x D) 17-1/8" x 29-15/16" x 15-9/16"

Depth with Door Open 90° 39-3/8"

Cutout Dimensions (W x D) 30" x 12" minimum

### Reference Material

[Dimension Guide](#)

[Install Guide](#)

[Use & Care Guide](#)

[Warranty](#)

### Also available in:

White WMH31017HW

Black WMH31017HB

Stainless Steel WMH31017HS

### Key Features & Benefits

#### Microwave Presets

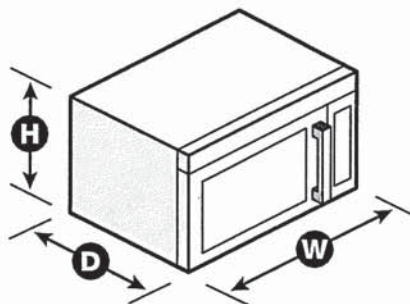
Get just the right amount of heat and time, whether you're cooking or defrosting, with specific preset options.

#### Electronic Touch Controls

Navigate through cooking modes and options with controls that are as easy to use as they are to clean.

#### Dishwasher-Safe Turntable Plate

Clean up spills on the turntable by simply putting it in the dishwasher.



NOTE: Dimensions are for planning purposes only. For complete details, see Installation Instructions packed with product. Specifications subject to change without notice.

©/™ © 2020. All rights reserved. Printed in the U.S.A. D200104XXE. WMH31017HSpecSheetV01.

## Whirlpool® MICROWAVE HOOD INSTALLATION INSTRUCTIONS

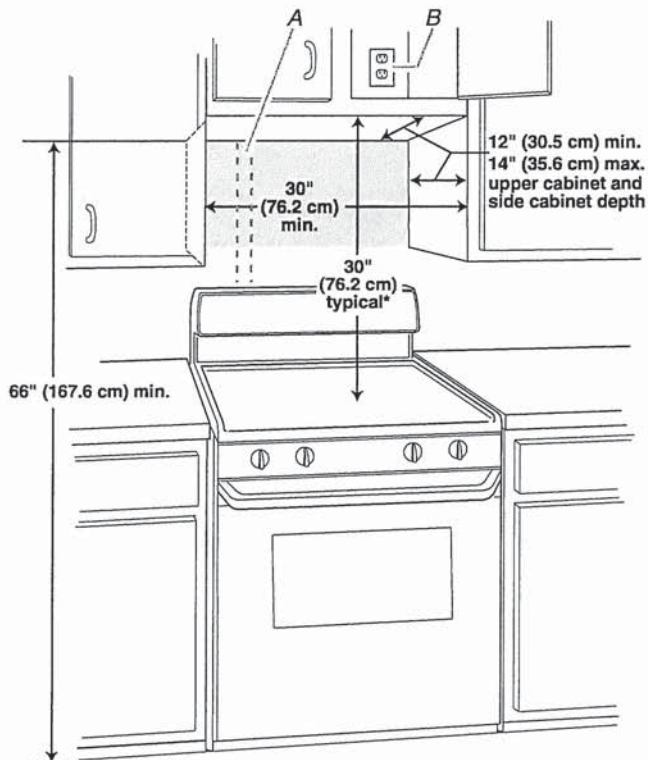
### PRODUCT MODEL NUMBERS

WMH31017H

### LOCATION REQUIREMENTS

#### Installation Dimensions

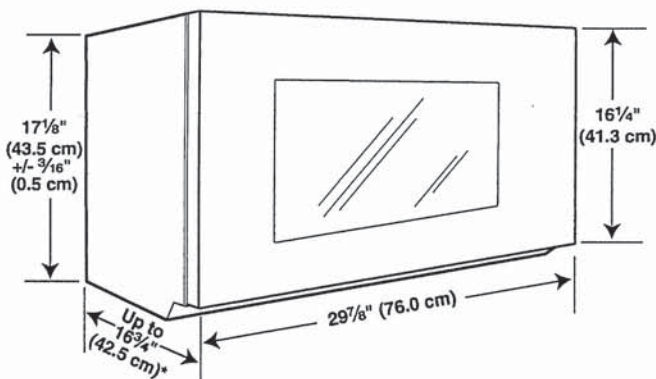
**NOTE:** The grounded 3 prong outlet must be inside the upper cabinet. See the "Electrical Requirements" section.



A. 2" x 4" wall stud  
 B. Grounded 3 prong outlet

\*30" (76.2 cm) is typical for 66" (167.6 cm) installation height. Exact dimensions may vary depending on type of range/cooktop below.

### PRODUCT DIMENSIONS



\*Overall depth of product will vary slightly depending on door design.

### PRODUCT DIMENSIONS

### ELECTRICAL REQUIREMENTS

## ⚠ WARNING



### Electrical Shock Hazard

Plug into a grounded 3 prong outlet.

Do not remove ground prong.

Do not use an adapter.

Do not use an extension cord.

Failure to follow these instructions can result in death, fire, or electrical shock.

Observe all governing codes and ordinances.

#### Required:

- A 120-volt, 60 Hz, AC-only, 15- or 20-amp electrical supply with a fuse or circuit breaker

#### Recommended:

- A time-delay fuse or time-delay circuit breaker
- A separate circuit serving only this microwave oven

## VENTING DESIGN SPECIFICATIONS

This section is intended for architectural designer and builder/ contractor reference only.

### NOTES:

- Vent materials needed for installation are not provided with microwave hood combination.
- We do not recommend using a flexible metal vent.
- To avoid possible product damage, be sure to vent air outside, unless using recirculation installation. Do not vent exhaust air into concealed spaces, such as spaces within walls or ceilings, attics, crawl spaces, or garages.

### For optimal venting installation, we recommend:

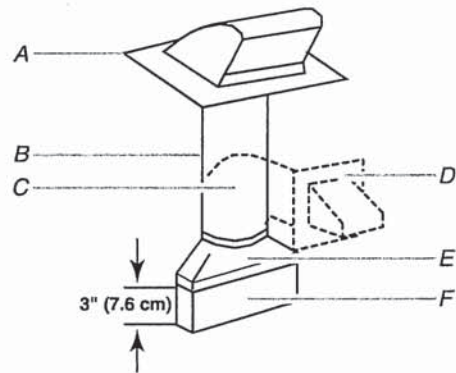
- Using roof or wall caps that have back draft dampers
- Using a rigid metal vent
- Using the most direct route by minimizing the length of the vent and number of elbows to provide efficient performance
- Using uniformly sized vents
- Using duct tape to seal all joints in the vent system
- Using caulking compound to seal exterior wall or roof opening around cap
- Not installing 2 elbows together for optimal hood performance

If venting through the wall, be sure that there is proper clearance within the wall for the damper to open fully.

If venting through the roof, and rectangular-to-round transition is used, be sure there are at least 3" (7.6 cm) of clearance between the top of the microwave oven and the transition piece. See "Rectangular-to-Round Transition" illustration.

### Rectangular-to-Round Transition

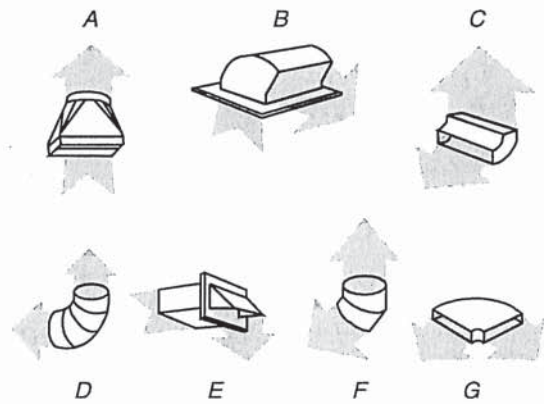
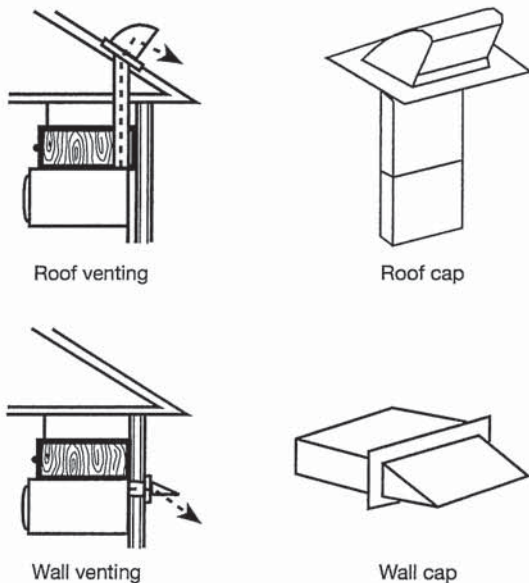
**NOTE:** The minimum 3" (7.6 cm) clearance must exist between the top of the microwave oven and the rectangular to round transition piece so that the damper can open freely and fully.



- A. Roof cap
- B. 6" (15.2 cm) min. diameter round vent
- C. Elbow (for wall venting only)
- D. Wall cap
- E. 3¼" x 10" to 6" (8.3 x 25.4 cm to 15.2 cm) rectangular to round transition piece
- F. Vent extension piece, at least 3" (7.6 cm) high

### Recommended Standard Fittings

The following length equivalents are for use when figuring vent length. See the examples in "Recommended Vent Length."



- A. Rectangular-to-round transition piece: 3¼" x 10" to 6" = 5 ft (8.3 x 25.4 cm to 15.2 cm = 1.5 m)
- B. Roof cap: 3¼" x 10" = 24 ft (8.3 x 25.4 cm = 7.3 m)
- C. 90° elbow: 3¼" x 10" = 25 ft (8.3 x 25.4 cm = 7.6 m)
- D. 90° elbow: 6" = 10 ft (15.2 cm = 3 m)
- E. Wall cap: 3¼" x 10" = 40 ft (8.3 x 25.4 cm = 12.2 m)
- F. 45° elbow: 6" = 5 ft (15.2 cm = 1.5 m)
- G. 90° flat elbow: 3¼" x 10" = 10 ft (8.3 x 25.4 cm = 3 m)

## Recommended Vent Length

A 3¼" x 10" (8.3 x 25.4 cm) rectangular or 6" (15.2 cm) round vent should be used.

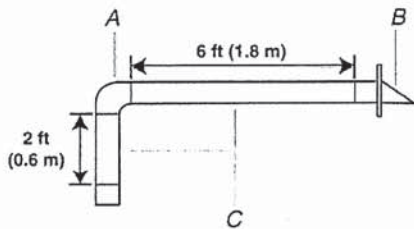
The total length of the vent system including straight vent, elbow(s), transitions, and wall or roof caps must not exceed the equivalent of 140 ft (42.7 m) for either type of vent. See the "Recommended Standard Fittings" section for equivalent lengths.

For best performance, use no more than three 90° elbows.

To calculate the length of the system you need, add the equivalent lengths of each vent piece used in the system.

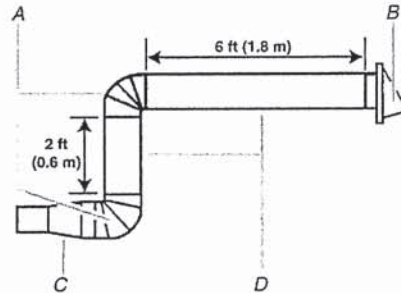
See the following examples:

### 3¼" x 10" (8.3 x 25.4 cm) vent system = 73 ft (22.2 m) total



- A. One 3¼" x 10" (8.3 x 25.4 cm) 90° elbow = 25 ft (7.6 m)
- B. 1 wall cap = 40 ft (12.2 m)
- C. 2 ft (0.6 m) + 6 ft (1.8 m) straight = 8 ft (2.4 m)

### 6" (15.2 cm) vent system = 73 ft (22.2 m) total



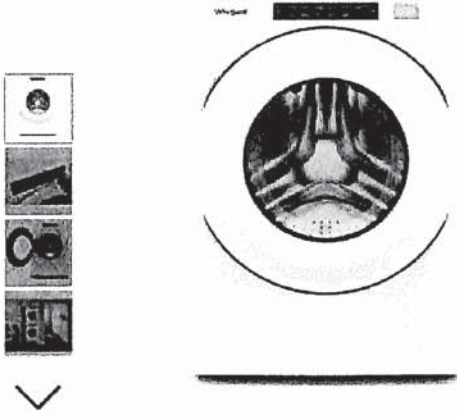
- A. Two 90° elbows = 20 ft (6.1 m)
- B. 1 wall cap = 40 ft (12.2 m)
- C. 1 rectangular-to-round transition piece = 5 ft (1.5 m)
- D. 2 ft (0.6 m) + 6 ft (1.8 m) straight = 8 ft (2.4 m)

If the existing vent is round, a rectangular-to-round transition piece must be used. In addition, a rectangular 3" (7.6 cm) extension vent between the damper assembly and rectangular-to-round transition piece must be installed to keep the damper from sticking.

## 5.0 cu.ft I.E.C. Closet-Depth Front Load Washer with Intuitive Controls

Model: WFW560CHW

- Overview
- Specifications
- Reviews
- You May Also Like
- Help And Resources
- Find In Store



### Key Features

- #1 in Customer Satisfaction in the J.D. Power 2020 Laundry Appliances Satisfaction Study
- 5.0 cu. ft. I.E.C. Capacity
- ENERGY STAR® Certified
- Intuitive Controls
- Sanitize Cycle with Oxi

### Color

White



## Specifications

**Width:**  
 6858.00, 27.0"  
 Centimeters, Inches

**Depth:**  
 8016.88, 31-9/16"  
 Centimeters, Inches

### Dimensions

Capacity	4-3/10
Depth	8016.88 cm, 31-9/16 in
Gross Weight	97068688.00 kg, 214 lbs
Net Weight	92532768.00 kg, 204 lbs
Width	6858.00 cm, 27.0 in

### Appearance

LCD Touch Screen	No
Window	Yes

### Details

Advanced Vibration Control™	No
Dispense System	Delongent, Fabric Softener & Bleach
Eco Monitor/Efficiency Monitor	No
Hoses Included	4ft 4in Drain Hose Included
Internal Heater	No
Maximum Spin Speed	1160
Out Of Balance Sensing	Yes
Water Factor	3-1/5

### Cycles and Options

Number Of Wash Cycles	35
-----------------------	----

### Electrical

Power Cord Included	Yes
---------------------	-----

### Controls

Automatic Temperature Controls	Yes
Control Location	Front
LCD Touch Screen	No

### Compatibility

Works With	No
------------	----

### Options

Number Of Washer Options	7
--------------------------	---

### Features

Stackable	Yes
Water Faucet	No

### Cycles

Number Of Wash Cycles	35
-----------------------	----

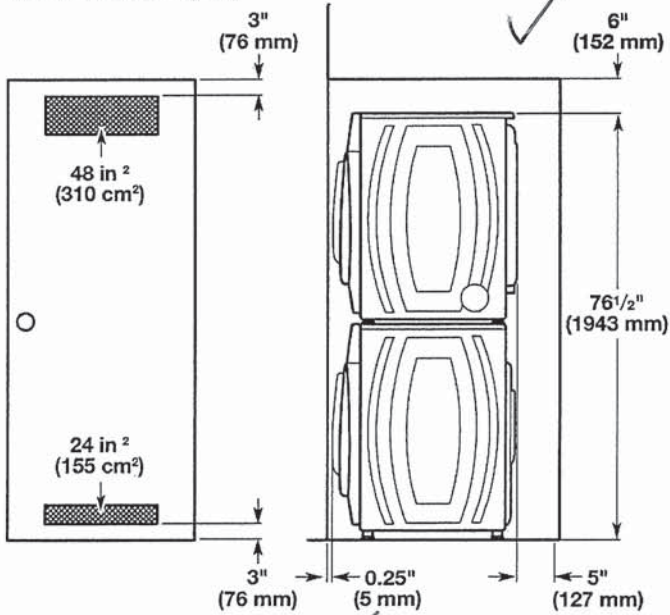
### Exterior

Lid/Door Lock	Yes
Lid/Door Swing	Left

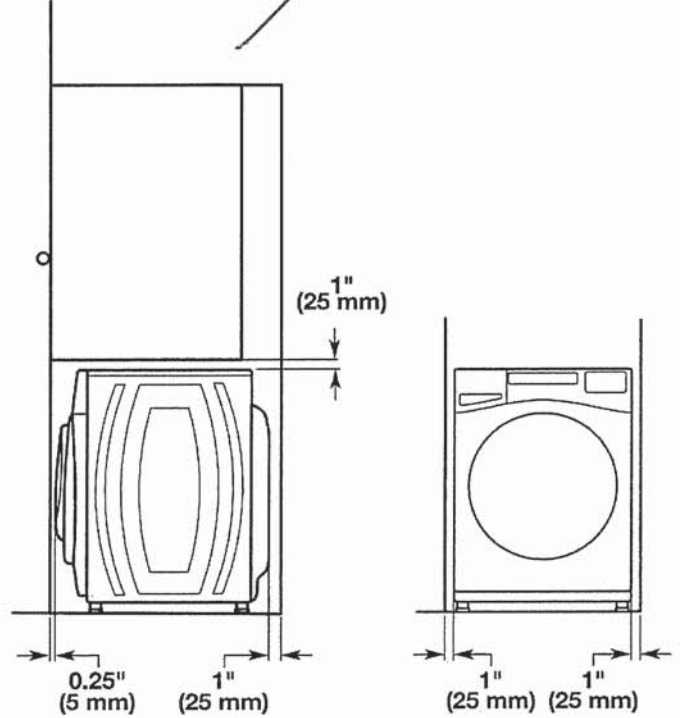
### Modifiers

Delay Start	No
Number Of Rinse Options	2
Number Of Soil Levels	3
Number Of Spin Speeds	4
Number Of Wash/Rinse Temperatures	4
Pre Soak	Yes
Temperature Selections	Hot, Cold, Cool, Warm

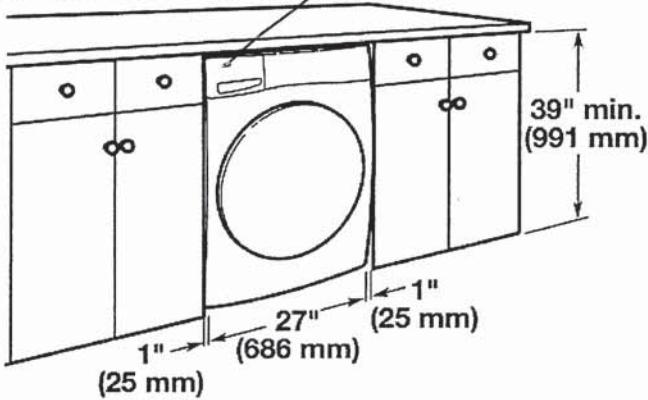
### Recessed area or closet installation (stacked washer and dryer)



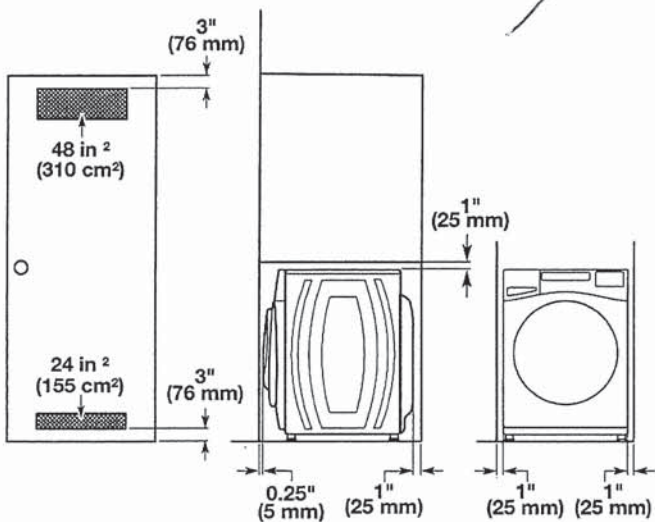
### Custom cabinet installation



### Custom under counter installation



### Recessed area or closet installation (washer only)



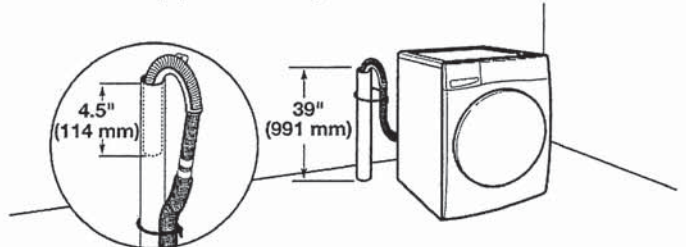
### Drain System

It is the responsibility of the installer to install and secure the drain hose in to the provided plumbing/drain in a manner that will avoid the drain hose coming out of or leaking from the plumbing/drain.

Drain system can be installed using a floor drain, wall standpipe, floor standpipe, or laundry tub. Select the method you need.

**IMPORTANT:** To avoid siphoning, only 4.5" (114 mm) of drain hose should be inside standpipe. Always secure drain hose with cable tie.

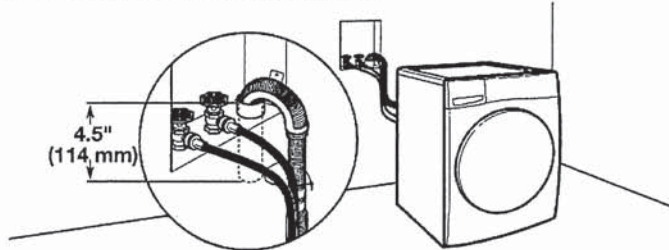
### Floor standpipe drain system



Minimum diameter for a standpipe drain: 2" (51 mm). Minimum carry-away capacity: 17 gallons (64 L) per minute. A 1/4" (6 mm) diameter to 1" (25 mm) diameter Standpipe Adapter Kit is available; refer to the Quick Start Guide for online ordering information. Top of standpipe must be at least 39" (762 mm) high; install no higher than 96" (2.4 m) from bottom of washer. If you have an overhead sewer and need to pump higher than 96" (2.4 m), a sump pump and associated hardware are needed. See "Alternate Parts."

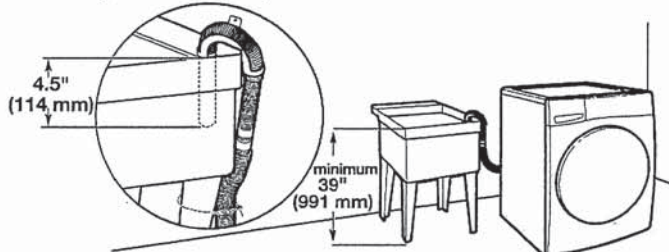


## Wall standpipe drain system

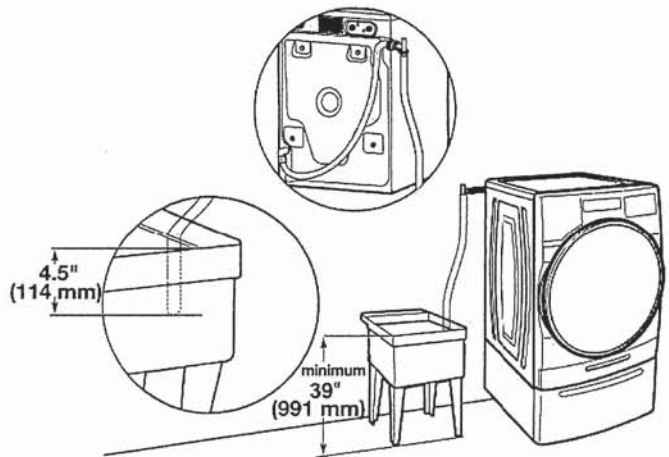


See requirements in "Floor standpipe drain system."

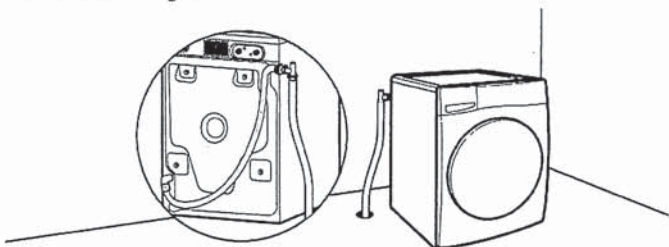
## Laundry tub drain system



Minimum capacity: 20 gallons (76 L). Top of laundry tub must be at least 39" (991 mm) from the floor; install no higher than 96" (2.4 m) from bottom of washer.



## Floor drain system



Floor drain system requires a Siphon Break Kit, 2 Connector Kits, and an Extension Drain Hose that may be purchased separately; refer to the Quick Start Guide for online ordering information. Minimum siphon break height: 28" (710 mm) from bottom of washer. (Additional hoses may be needed.)

## Electrical Requirements

### ⚠ WARNING



#### Electrical Shock Hazard

Plug into a grounded 3 prong outlet.

Do not remove ground prong.

Do not use an adapter.

Do not use an extension cord.

Failure to follow these instructions can result in death, fire, or electrical shock.

- A 120 V, 60 Hz, AC only, 15 or 20 A, fused electrical supply is required. A time-delay fuse or circuit breaker is recommended. It is recommended that a separate circuit breaker serving only this appliance be provided.
- This washer is equipped with a power supply cord having a 3-prong grounding plug.
- To minimize possible shock hazard, the cord must be plugged into a mating, 3-prong, grounding-type outlet, grounded in accordance with local codes and ordinances. If a mating outlet is not available, it is the personal responsibility and obligation of the customer to have the properly grounded outlet installed by a qualified electrician.
- If codes permit and a separate ground wire is used, it is recommended that a qualified electrician determine that the ground path is adequate.
- Do not ground to a gas pipe.
- Check with a qualified electrician if you are not sure the washer is properly grounded.
- Do not have a fuse in the neutral or ground circuit.

### GROUNDING INSTRUCTIONS

#### For a grounded, cord-connected appliance:

This appliance must be grounded. In the event of a malfunction or breakdown, grounding will reduce the risk of electric shock by providing a path of least resistance for electric current. This appliance is equipped with a cord having an equipment-grounding conductor and a grounding plug. The plug must be plugged into an appropriate outlet that is properly installed and grounded in accordance with all local codes and ordinances.

#### WARNING: Improper connection of the equipment-grounding conductor can result in a risk of electric shock.

Check with a qualified electrician or serviceman if you are in doubt as to whether the appliance is properly grounded. Do not modify the plug provided with the appliance: If it will not fit the outlet, have a proper outlet installed by a qualified electrician.

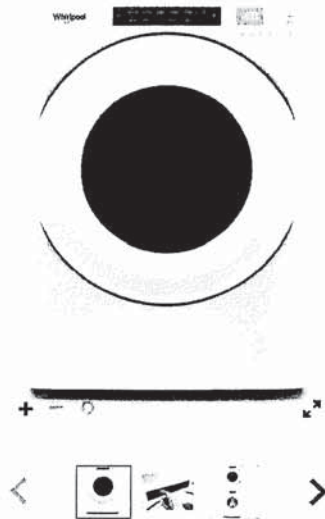
#### For a permanently connected appliance:

This appliance must be connected to a grounded metal, permanent wiring system, or an equipment-grounding conductor must be run with the circuit conductors and connected to the equipment-grounding terminal or lead on the appliance.

**SAVE THESE INSTRUCTIONS**

WHIRLPOOL DRYER Model #: YWED5620HW

Whirlpool Brand Canada English | Washer and Dryers | Dryers | Electric Dryers | YWED5620HW



Define Your Style

**7.4 cu. ft. Front Load Electric Dryer with Intuitive Touch Controls**

**Whirlpool** 7.4 cu. ft. Front Load Electric Dryer with Intuitive Touch Controls  
 Model #: YWED5620HW

**Dimensions**

Depth	78.74 cm, 31.0 in
Depth With Door Open 90 Degree	138.43 cm, 54-1/2 in
Height	98.42 cm, 38-3/4 in
Width	68.58 cm, 27.0 in

**Configuration and Overview**

Fuel Type	Electric
-----------	----------

**Cycles and Options**

Cycle Time Remaining	Yes
Lint Filter Indicator	No
Number of Dryer Cycles	36
Number of Dryness Levels	3

**Ventilation System**

Long Vent	No
Maximum Vent Length	64
Venting Direction	Left, Right, Bottom, Rear

**Electrical**

Hz	60
Power Cord Included	Yes

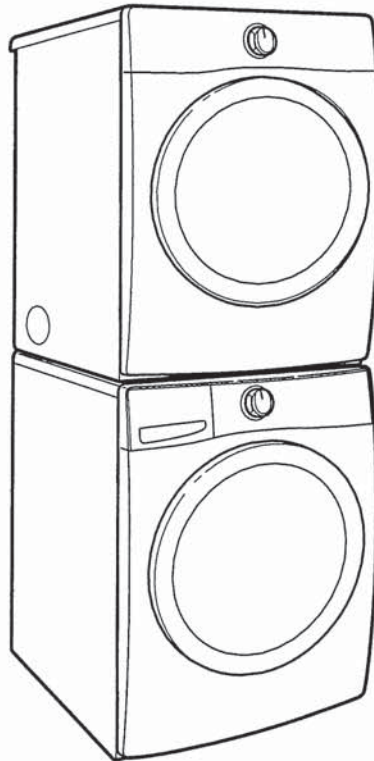


## Installation Instructions Instrucciones de instalación Instructions d'installation

---

### Stack Kit

Juego para lavadora y secadora  
Ensemble superposé



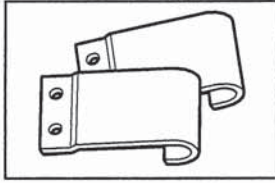
Kit Number W10869845  
Número de juego W10869845  
Ensemble numéro W10869845

For use only with front-load washers and dryers  
Para uso sólo con lavadoras y secadoras de carga frontal  
Pour utilisation avec laveuses et sécheuses à chargement  
par l'avant seulement

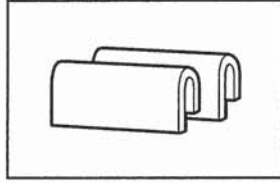
---

If you have any problems or questions, visit us at [www.whirlpool.com](http://www.whirlpool.com)  
Si tiene cualquier problema o duda, visítenos en [www.whirlpool.com](http://www.whirlpool.com)  
Pour tout problème ou toute question, consulter [www.whirlpool.ca](http://www.whirlpool.ca)

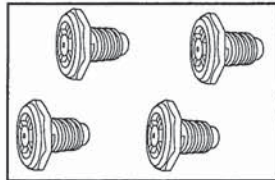
**Parts supplied:**



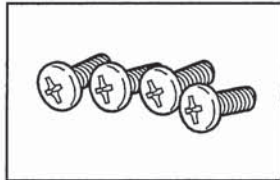
Hooked brackets (2)



Plastic clips (2)



Feet (4)

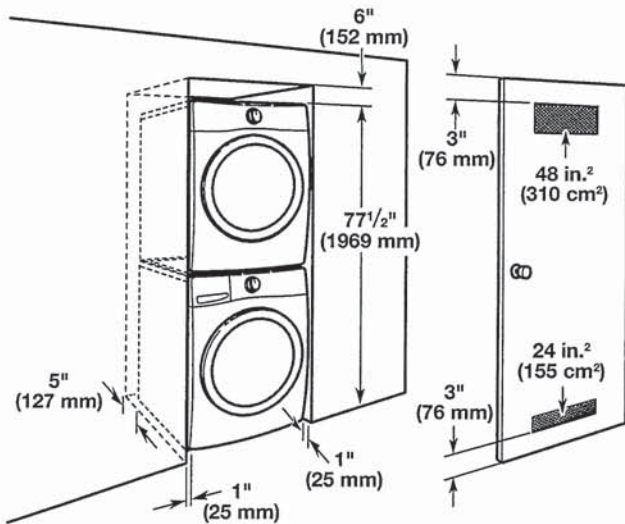


Pan-head screws (4)

**LOCATION REQUIREMENTS**

**Recessed Area and Closet Installation Instructions**

**IMPORTANT:** The stacked washer/dryer can be installed in an enclosure. Check the locations of the water supply faucets, grounded electrical outlets, and gas supply line connection (gas dryer only). Depending on your application, longer washer fill hoses, longer electric power supply cords, and a longer flexible stainless steel gas connector line than that supplied with the washer/dryer may be needed.



If the water supply faucets, electrical outlets, gas supply line, or power cord need modification, have a qualified plumber, electrician, or gas technician make the changes.

**Mobile home – Additional installation requirements**

This dryer is suitable for mobile home installations. The installation must conform to the Manufactured Home Construction and Safety Standard, Title 24 CFR, Part 3280 (formerly the Federal Standard for Mobile Home Construction and Safety, Title 24, HUD Part 280) or the Canadian Manufactured Home Standard CAN/CSA-Z240 MH.

Mobile home installations require special parts (listed following), which are available for purchase from your local dealer or service center.

Stacked pair must be securely fastened to the floor.

**Parts Needed:**

- Mobile Home Installation Kit, Part Number 346764, needs to be purchased to accomplish this. Order 2 kits to enable you to secure both the front and the back of the unit to the floor.
- Metal exhaust system hardware.



Special provisions must be made in mobile homes to introduce outside air into the dryer. The opening (such as a nearby window) should be at least twice as large as the dryer exhaust opening.

The exhaust vent must be securely fastened to a noncombustible portion of the mobile home structure and must not terminate beneath the mobile home. Terminate the exhaust vent outside.

