

Sales Selection Sheet  
Checklist

1 of 53

LOT 33 Model: 28-2550 B THE FOREST

PURCHASERS: RAVI JIYANI/NIDHI RAMESHBHAI KACHHADIYA

VENDOR: Heathwood Homes (Williamsburg) Limited

OPTIONAL COFFERED CEILING IN GREAT ROOM

- WOB
- DECK
- FINISHED LOWER LEVEL (STD)

**UPGRADED / MODIFIED ELEVATION**

- CORNER UPGRADE
- REAR UPGRADE
- SIDE UPGRADE

**CEILING UPGRADE - SMOOTH**

- MAIN FLOOR (SITE STD)
- SECOND FLOOR
- SECOND FLOOR UPPER HALLWAY ONLY
- FINISHED LOWER LEVEL

**ADDITIONAL ROUGH-INS**

- 200 AMP SERVICE (SITE STD)
- WET BAR ROUGH-IN
- HUMIDIFIER
- HEAT PUMP / AIR CONDITIONING (SITE STD)

**GAS ROUGH-IN**

- STOVE
- DRYER
- BBQ
- ADDITIONAL GAS FIREPLACE

**KITCHEN HOODFAN VENTING SIZE**

- 6 IN ROUND DUCT
- 7 IN ROUND DUCT

FULL LOWER LEVEL STAIRS	Carpet Grade
UPPER LOWER LEVEL STAIRS	N/A
LOWER LOWER LEVEL STAIRS	N/A
MAIN STAIRS	All Oak

May 9/24  
Date Purchaser: *Signatures on file*

May 9/24  
Date Purchaser:

Locked Date:

May 9/24  
Date Decor Consultant: IRIT SALEM

*[Signature]*  
Date Approved Heathwood Homes (Williamsburg) Limited

RAVI JIYANI/NIDHI RAMESHBHAI KACHHADIYA  
 Project: Williamsburg Green  
 Unit: 33, Phase: 1  
 Model: 28-2550 B THE FOREST

Created: 4/11/2024 10:17:49

Locked:

Closed:

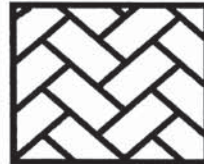
**Kitchen**

Cabinet Colour/Style	9166	Viking III-CHARLESTON-ORCHID-3DL ***STD***
Island Cabinet Colour/Style	9166	Viking III-CHARLESTON-ORCHID-3DL ***STD***
Cabinet Hardware	2092	9661-HARDWARE ***STD***
Countertop	9814	Group 2-Quartz-Caesarstone-ASHEN MARBLE # 7512-3/4 inch B/U MITERED EDGE ***2***
Island Countertop	9814	Group 2-Quartz-Caesarstone-ASHEN MARBLE # 7512-3/4 inch B/U MITERED EDGE ***2***
Countertop Edge	4005	DOUBLE MITRE 1 1/2 INCH ***UPG***



- Please note some islands may require a seam as per manufacturer and fabricator discretions.

Sink	9488	Plumbing-KINDRED Kitchen Sink Collection - Reginox NS1930 U/9-Single Bowl Undermount Sink (or equivalent)-Stainless Steel	PG 23
HoodFan	8894	SCB51430-CYCLONE 30 inch CANOPY CHIMNEY HOODFAN-STAINLESS STEEL *****	PG 34-35
Backsplash	5733	QT.CD.SGR.0306.MT-Colour and Dimension Matte-Silver Grey-3 x 6 ***1***	
Backsplash Grout	9837	Grout-Warm Grey #5093 ***UPG***	
Backsplash Tile Pattern	3100	VERTICAL HERRINGBONE ***UPG***	

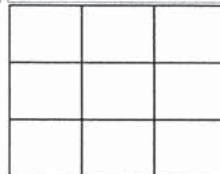


Comment

- Purchasers have been advised: standard fridge opening is a minimum 37 3/8 x 73 3/8 inches. Ice Waterline Rough-In is included.
- Standard stove opening is 30 inches and standard dishwasher opening is 24 inches. Any gas stove will require backsplash or stainless steel backing to avoid fire hazards.
- Purchasers acknowledge: Heathwood Homes and its contractors will not be responsible for any kitchen cabinet changes due to appliances dimension changes after sign-off.

**Kitchen/Breakfast**

Flooring	9071	GE.BY.AZR.1313 New Byzantine Azzuro 13x13 ***STD***
Floor Tile Grout	9837	Grout-Warm Grey #5093 ***STD***
Floor Tile Pattern	3000	STANDARD SQUARE ***STD***



Comment

**Great/Dining**



**Customer Colours**

RAVI JIYANI/NIDHI RAMESHBHAI KACHHADIYA  
 Project: Williamsburg Green  
 Unit: 33, Phase: 1  
 Model: 28-2550 B THE FOREST

Created: 4/11/2024 10:17:49

Locked:

Closed:

<p>Flooring</p> <p>Comment</p>	<p>9554</p>	<p>Red Oak Pearl-Vintage Engineered-SHALE-3/4 inch x 3 1/4 inch ***STD***</p>
--------------------------------	-------------	---

**Great Room Fireplace**

Type	8869	Majestic MERC32 ***STD***
Mantle	8891	NF-17-Paint Grade Mantle- Cabinet (Per Plan)-WHITE ***STD***
Surround (Opt.)	1111	N/A *****

PG 22

- Purchasers have been advised: heat from the FP can damage TV above a FP and items placed on mantle.

- Heathwood and its contractors will not be liable for any damage on items placed and / or installed above a FP after closing.

Comment

**Main Hall**

Flooring	9554	Red Oak Pearl-Vintage Engineered-SHALE-3/4 inch x 3 1/4 inch ***STD_***
Floor Tile Grout	1111	N/A *****
Floor Tile Pattern	1111	N/A *****

Comment

**Foyer**

Flooring	9071	GE.BY.AZR.1313 New Byzantine Azzuro 13x13 ***STD***
Floor Tile Grout	9837	Grout-Warm Grey #5093 ***STD***
Floor Tile Pattern	3000	STANDARD SQUARE ***STD***

Comment

**Powder Room**

Flooring	9071	GE.BY.AZR.1313 New Byzantine Azzuro 13x13 ***STD***
Floor Tile Grout	9837	Grout-Warm Grey #5093 ***STD***
Floor Tile Pattern	3000	STANDARD SQUARE ***STD***

--	--	--

RJ NK

**Customer Colours**

RAVI JIYANI/NIDHI RAMESHBHAI KACHHADIYA  
 Project: Williamsburg Green  
 Unit: 33, Phase: 1  
 Model: 28-2550 B THE FOREST

Created: 4/11/2024 10:17:49

Locked:

Closed:


Plumbing Fixture (Colour)  Plumbing Fixtures-WHITE \*\*\*STD\*\*\*

Comment

**Laundry/Mud Room**

Floor Tile  GE.BY.AZR.1313 New Byzantine Azzuro 13x13 \*\*\*STD\*\*\*

Floor Tile Grout  Grout-Warm Grey #5093 \*\*\*STD\*\*\*

Floor Tile Pattern  STANDARD SQUARE \*\*\*STD\*\*\*


Cabinet Colour/Style - Uppers  Viking III-CHARLESTON-ORCHID-3DL \*\*\*STD\*\*\*

Cabinet Hardware - Uppers  9661-HARDWARE \*\*\*STD\*\*\*

Cabinet Colour/Style - Base  Viking III-CHARLESTON-ORCHID-3DL \*\*\*STD\*\*\*

Cabinet Hardware - Base  9661-HARDWARE \*\*\*STD\*\*\*

Countertop  4924-38-Countertop-WHITE CARRARA-Wilsonart \*\*\*STD\*\*\*

Opt. Countertop Edge  N/A \*\*\*\*\*

Comment

**Upper Hall**

Flooring  Red Oak Pearl-Vintage Engineered-SHALE-3/4 inch x 3 1/4 inch \*\*\*UPG\*\*\*

Comment

**Principal Suite and Walk-in Closet**

Flooring  Red Oak Pearl-Vintage Engineered-SHALE-3/4 inch x 3 1/4 inch \*\*\*UPG\*\*\*

Comment

**Bedroom 2 and Walk-in Closet**

Flooring  84558-MINOTAUR-BEACH SHELL-40 oz Poly \*\*\*STD\*\*\*

Comment

RJ NK



**Customer Colours**

RAVI JIYANI/NIDHI RAMESHBHAI KACHHADIYA  
 Project: Williamsburg Green  
 Unit: 33, Phase: 1  
 Model: 28-2550 B THE FOREST

Created: 4/11/2024 10:17:49

Locked:

Closed:

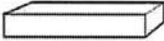
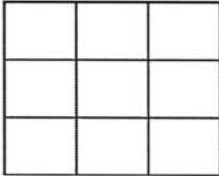
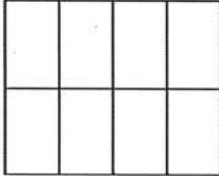
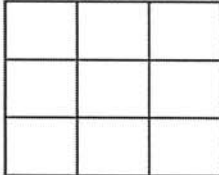
**Bedroom 3**

Flooring	9505	84558-MINOTAUR-BEACH SHELL-40 oz Poly ***STD***
Comment		

**Bedroom 4**

Flooring	9505	84558-MINOTAUR-BEACH SHELL-40 oz Poly ***STD***
Comment		

**Principal Ensuite**

Cabinet Colour/Style	9111	Viking III-SIMCOE ORCHID 3DL ***STD***
Cabinet Hardware	2093	9671-HARDWARE ***STD***
Countertop	9806	Group 1-Quartz-Caesarstone-WHITE SAND # 7041-3/4 inch ***STD IN PRINCIPLAL ENSUITE ONLY***
Countertop Edge	4010	SINGLE POLISHED STRAIGHT EDGE 3/4 INCH ***STD*** 
Floor Tile	5480	GE.CM.SIL.1313-Corte Milia-Silver-13 x 13 ***STD***
Floor Tile Grout	9837	Grout-Warm Grey #5093 ***STD***
Floor Tile Pattern	3000	STANDARD SQUARE ***STD*** 
Shower Wall Tile	5404	GE.CM.SIL.0810-Corte Milia-Silver-8 inch x 10 inch ***STD***
Shower Wall Tile Grout	9836	Grout-Eggshell #5220 ***STD***
Shower Wall Tile Pattern	3090	VERTICAL STACKED ***STD*** 
Shower Floor Tile	8661	OD.ON.SWT.0202.MT.N-Ontario Series Mosaic-Snow White Matte-2 x 2 ***STD***
Shower Floor Tile Grout	9836	Grout-Eggshell #5220 ***STD***
Shower Floor Tile Pattern	3000	STANDARD SQUARE ***STD*** 
Shower Jamb(s) and Sill(s)	8923	Shower Jamb / Sill-Thassos White ***STD***
Plumbing Fixture (colour)	4707	Plumbing Fixture-WHITE ***STD***

RJ NK

**Customer Colours**

RAVI JIYANI/NIDHI RAMESHBHAI KACHHADIYA  
 Project: Williamsburg Green  
 Unit: 33, Phase: 1  
 Model: 28-2550 B THE FOREST

Created: 4/11/2024 10:17:49

Locked:

Closed:

Plumbing Fixture (colour)	1737	Plumbing Fixtures-WHITE ***STD***
Comment		

**Main Bath**

Cabinet Colour/Style	9111	Viking III-SIMCOE ORCHID 3DL ***STD***
Cabinet Hardware	2093	9671-HARDWARE ***STD***
Countertop	8822	4924-38-Countertop-WHITE CARRARA-Wilsonart ***STD***
Countertop Edge	1111	N/A *****

Floor Tile	5482	GE.CM.CSB1313-Corte Milia-Casablanca-13 x 13 ***STD***
------------	------	--

Floor Tile Grout	9837	Grout-Warm Grey #5093 ***STD***
------------------	------	---------------------------------

Floor Tile Pattern	3000	STANDARD SQUARE ***STD***									
<table border="1"> <tr><td></td><td></td><td></td></tr> <tr><td></td><td></td><td></td></tr> <tr><td></td><td></td><td></td></tr> </table>											

Shower Wall Tile	5400	GE.CM.CSB.0810-Corte Milia-Casablanca-8 inch x 10 inch ***STD***
------------------	------	--

Shower Wall Tile Grout	9836	Grout-Eggshell #5220 ***STD***
------------------------	------	--------------------------------

Shower Wall Tile Pattern	3090	VERTICAL STACKED ***STD***												
<table border="1"> <tr><td></td><td></td><td></td><td></td></tr> <tr><td></td><td></td><td></td><td></td></tr> <tr><td></td><td></td><td></td><td></td></tr> </table>														

Shower Floor Tile	8661	OD.ON.SWT.0202.MT.N-Ontario Series Mosaic-Snow White Matte-2 x 2 ***STD***
-------------------	------	--

Shower Floor Tile Grout	9836	Grout-Eggshell #5220 ***STD***
-------------------------	------	--------------------------------

Shower Floor Tile Pattern	3000	STANDARD SQUARE ***STD***									
<table border="1"> <tr><td></td><td></td><td></td></tr> <tr><td></td><td></td><td></td></tr> <tr><td></td><td></td><td></td></tr> </table>											

Shower Jamb(s) and Sill(s)	8923	Shower Jamb / Sill-Thassos White ***STD***
----------------------------	------	--

Plumbing Fixture (colour)	1737	Plumbing Fixtures-WHITE ***STD***
---------------------------	------	-----------------------------------

Comment		
---------	--	--

**Shared Bath**

Cabinet Colour/Style	9111	Viking III-SIMCOE ORCHID 3DL ***STD***
Cabinet Hardware	2093	9671-HARDWARE ***STD***
Countertop	8822	4924-38-Countertop-WHITE CARRARA-Wilsonart ***STD***
Countertop Edge	1111	N/A *****

RJ NK

**Customer Colours**

7 of 53 <sup>695</sup>

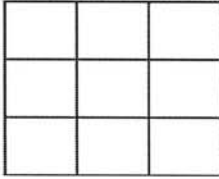
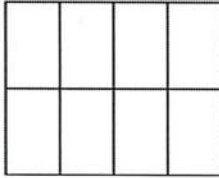
RAVI JIYANI/NIDHI RAMESHBHAI KACHHADIYA  
 Project: Williamsburg Green  
 Unit: 33, Phase: 1  
 Model: 28-2550 B THE FOREST

Created: 4/11/2024 10:17:49

Locked:

Closed:



Floor Tile	5482 ✓	GE.CM.CSB1313-Corte Milia-Casablanca-13 x 13 ***STD***
Floor Tile Grout	9837	Grout-Warm Grey #5093 ***STD***
Floor Tile Pattern	3000	STANDARD SQUARE ***STD*** 
Wall Tile	5400	GE.CM.CSB.0810-Corte Milia-Casablanca-8 inch x 10 inch ***STD***
Wall Tile Grout	9836	Grout-Eggshell #5220 ***STD***
Wall Tile Pattern	3090	VERTICAL STACKED ***STD*** 
Opt. Shower Floor Tile	1111	N/A *****
Opt. Shower Floor Tile Grout	1111	N/A *****
Opt. Shower Floor Tile Pattern	1111	N/A *****

Opt. Shower Jamb(s) and Sill(s)	1111	N/A *****
Plumbing Fixture (colour)	1111	N/A *****
Comment	<div style="border: 1px solid black; height: 30px;"></div>	

**Lower Level Recreation Room (Opt. Finis**

Flooring	9505	84558-MINOTAUR-BEACH SHELL-40 oz Poly ***STD***
Comment	REC ROOM; STD FIRE PLACE: DIMPLEX ELECTRIC FIRE PLACE PF 3033HL. MANTLE NF 17 PAINT GRADE CABINET (PER PLAN) WHITE STD. NO SURROUND	

PG 22

**Lower Level Bathroom (Opt. Finished Bas**

Cabinet Colour/Style	9111	Viking III-SIMCOE ORCHID 3DL ***STD***
Cabinet Hardware	2093	9671-HARDWARE ***STD***
Countertop	8822	4924-38-Countertop-WHITE CARRARA-Wilsonart ***STD***
Countertop Edge	1111	N/A *****
Floor Tile	5482	GE.CM.CSB1313-Corte Milia-Casablanca-13 x 13 ***STD***
Floor Tile Grout	9837	Grout-Warm Grey #5093 ***STD***
Floor Tile Pattern	3000	STANDARD SQUARE ***STD***

RJ NK



**Customer Colours**

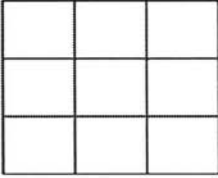
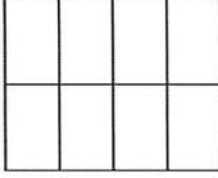
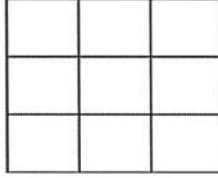
8 of 53 <sup>695</sup>

RAVI JIYANI/NIDHI RAMESHBHAI KACHHADIYA  
 Project: Williamsburg Green  
 Unit: 33, Phase: 1  
 Model: 28-2550 B THE FOREST

Created: 4/17/2024 10:17:49

Locked:

Closed:

Floor Tile Pattern	3000	STANDARD SQUARE ***STD***	
Shower Wall Tile	5400	GE.CM.CSB.0810-Corte Milia-Casablanca-8 inch x 10 inch ***STD***	
Shower Wall Tile Grout	9836	Grout-Eggshell #5220 ***STD***	
Shower Wall Tile Pattern	3090	VERTICAL STACKED ***STD***	
Shower Floor Tile	8661	OD.ON.SWT.0202.MT.N-Ontario Series Mosaic-Snow White Matte-2 x 2 ***STD***	
Shower Floor Tile Grout	9836	Grout-Eggshell #5220 ***STD***	
Shower Floor Tile Pattern	3000	STANDARD SQUARE ***STD***	
Shower Jamb(s) and Sill(s)	8923	Shower Jamb / Sill-Thassos White ***STD***	
Plumbing Fixture (colour)	1737	Plumbing Fixtures-WHITE ***STD***	
Comment			

**Main Stairs**

Type	1714	Oak Stairs ***STD MAIN STAIRS***
Colour	9803	Shale STAIN TO COMPLIMENT HARDWOOD AND WILL VARY FROM FLOORING ***99***
Handrail/Pickets/Posts Type	8148	Single Collar Alt. Plain w/ Shoes with 3 1/2 Square/Cap Post(s)-BLACK ***2***
Handrail/Pickets/Posts Colour	7761	Oak Grade-Stain handrail,stringers,treads,risers,nosingpost
Custom Stain/Paint	1111	N/A *****
Landing(s)	9554	Red Oak Pearl-Vintage Engineered-SHALE-3/4 inch x 3 1/4 inch ***STD***
Opt. Carpet Runner	1111	N/A *****
Comment		

**Lower Level Stairs**

Type	1711	Carpet Grade Stairs
Colour	9803	Shale STAIN TO COMPLIMENT HARDWOOD AND WILL VARY FROM FLOORING ***99***
Handrail/Pickets/Posts Type	9119	Handrail only on closed walls (one or two sides per building code) ***STD***
Handrail/Pickets/Posts Colour	7762	Carpet Grade-Stain handrail, stringers, nosing post(s). (Me

Customer Colours

9 of 53 <sup>695</sup>


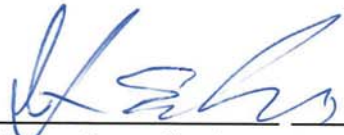
RAVI JIYANI/NIDHI RAMESHBHAI KACHHADIYA  
 Project: Williamsburg Green  
 Unit: 33, Phase: 1  
 Model: 28-2550 B THE FOREST



Created: 4/11/2024 10:17:49  
 Locked:  
 Closed:

Custom Stain/Paint	1111	N/A *****
Landing(s)	9554	Red Oak Pearl-Vintage Engineered-SHALE-3/4 inch x 3 1/4 inch ***STD***
Opt. Carpet Runner	1111	N/A *****
Comment	STD. CARPET: 84558 MINOTURE BEACH SHELL - 40 OZ. POLY.	

Throughout

Switches and Plug	5796	Decora White Switches and Plugs ***STD***
Thresholds	2232	Metal Thresholds ***STD***
Underpad	1079	500 Series-Underpad ***STD***
Trim Size	8705	4 1/4 Baseboard and 2 3/4 Casings ***STD***
Trim - Paint Colour	1716	Trim-WHITE ***STD***
Walls - Paint Colour	1717	22-Wall-WARM GREY ***STD***
Comment		

Purchaser:  03-May-24  May 3 24  
 RAVI JIYANI Date Decor Consultant Date

Purchaser:  03-May-24  05-09-2024  
 NIDHI RAMESHBHAI KACHHA Date Williamsburg Green Date Approved



## CONSTRUCTION SUMMARY

**Lot: 33**  
**Model: 28-2550 B THE FOREST**  
**Project/Phase: Williamsburg Green / 1**

Offer Worksheet	Twenty Thousand Dollars (\$20,000) At D?cor. (No Cash Value) Singles Note:
Offer Worksheet	Finished Lower Level Complete with Finished Bathroom. Note:
Offer Worksheet	SCHEDULE X: ITEM #5 ADJUSTMENTS (e) AND (f) COMBINED TO BE CAPPED AT \$15,000 Note:
Offer Worksheet	Electric Fireplace with wood painted mantle in Lower Level Note:
Offer Worksheet	Upgraded Appliance Package including Stainless-Steel Fridge, Smooth Top Stove, Canopy Range Hood, Dishwasher and Front-Loading Washer/Dryer. Note:
Offer Worksheet	Added by amendment - This lot requires an upgraded Rear elevation Note:
Offer Worksheet	Added by amendment - The purchaser(s) acknowledge that they have NOT been referred by an existing Heathwood Homeowner and therefore are not entitled to a referral fee under Heathwood Homes Referral Program Note:





## CONSTRUCTION SUMMARY

**Lot: 33**  
**Model: 28-2550 B THE FOREST**  
**Project/Phase: Williamsburg Green / 1**

### ADMIN FEE

Invoice	Qty.	Description
---------	------	-------------

### APPLIANCES

Invoice	Qty.	Description
---------	------	-------------

1680	1.0	THROUGHOUT - UPGRADED APPLIANCE PACKAGE INCLUDING STAINLESS-STEEL FRIDGE, SMOOTH TOP STOVE, CANOPY RANGE HOOD, DISHWASHER AND FRONT-LOADING WASHER/DRYER.
25Aug24 NoCat		SEE SPECS

### CABINETRY

Invoice	Qty.	Description
---------	------	-------------

1733 373,098 24Jul24 **	1.0	Opt. Kitchen/Breakfast - HARDWOOD-3/4 x 3 1/4 IN RED OAK NSS SELECT V-OPT. KITCHEN/BREAKFAST  SUPPLY AND INSTALL 3/4 X 3 1/4 IN RED OAK PEARL VINTAGE ENGINEERED SHALE HARDWOOD <b>CABINETRY-Raise Cabinet; CERAMICS-Delete Std Ceramics</b>
1680 362,655 25Aug24	1.0	KITCHEN - CABINETRY-32H-WALL CABINET WITH SHELF FOR MICROWAVE (FINISHED INTERIOR) (OPENING 24INW X 13 3/4INH X 17IND) (NOT AVAILABLE IN SOME LAMINATES) VIKING  SKETCH # 3

### CARPET

Invoice	Qty.	Description
---------	------	-------------

1680 373,115 25Aug24 **	1.0	Opt. Upper Hall - HARDWOOD-3/4 x 3 1/4 IN RED OAK NSS SELECT V-OPT. UPPER HALL  <b>CARPET-delete std carpet; INTERIOR TRIM-supply and install quarter rounds; PAINTING-paint quarter round</b>
----------------------------------	-----	--

### CERAMIC

Invoice	Qty.	Description
---------	------	-------------

1680 370,024 25Aug24	1.0	KITCHEN - CERAMICS-OPT. BACKSPLASH-UG 1-KITCHEN
1680 370,031 25Aug24	1.0	KITCHEN - CERAMICS-OPT. BACKSPLASH-DIAG OR CHECKER -KITCHEN  VERTICAL HERRINGBONE PATTERN

### CERAMICS

Invoice	Qty.	Description
---------	------	-------------

1733 373,098 24Jul24 **	1.0	Opt. Kitchen/Breakfast - HARDWOOD-3/4 x 3 1/4 IN RED OAK NSS SELECT V-OPT. KITCHEN/BREAKFAST  SUPPLY AND INSTALL 3/4 X 3 1/4 IN RED OAK PEARL VINTAGE ENGINEERED SHALE HARDWOOD <b>CABINETRY-Raise Cabinet; CERAMICS-Delete Std Ceramics</b>
1680 375,656 25Aug24	1.0	- CERAMICS - ADDITIONAL BACKSPLASH DUE TO UPGRADE CHIMNEY HOODFAN IN KITCHEN - KITCHEN - UPGRADE 1
1680 375,663 25Aug24	1.0	KITCHEN - CERAMICS - ADDITIONAL BACKSPLASH DUE TO UPGRADE CHIMNEY HOODFAN IN KITCHEN - KITCHEN - DIAG HERRINGBONE  VERTICAL HERRINGBONE PATTERN



## CONSTRUCTION SUMMARY

Lot: 33  
 Model: 28-2550 B THE FOREST  
 Project/Phase: Williamsburg Green / 1

### COFFERED CEILING

Invoice	Qty.	Description
1680 363,389 25Aug24	1.0	GREAT ROOM - COFFERED CEILING - OPT. COFFERED CEILING - GREAT ROOM - UPG  SKETCH # 2 <b>DRYWALL-Notify; FRAMING-Notify; PAINTING-Notify</b>

### DRYWALL

Invoice	Qty.	Description
1680 363,389 25Aug24 **	1.0	GREAT ROOM - COFFERED CEILING - OPT. COFFERED CEILING - GREAT ROOM - UPG  SKETCH # 2 <b>DRYWALL-Notify; FRAMING-Notify; PAINTING-Notify</b>
1680 363,337 25Aug24	1.0	- DRYWALL - SMOOTH CEILING - SECOND FLOOR WITH RESILIENT CHANNEL - UPG  <b>ELECTRICAL-Drop electrical boxes; PAINTING-Paint smooth ceiling</b>



## CONSTRUCTION SUMMARY

**Lot: 33**  
**Model: 28-2550 B THE FOREST**  
**Project/Phase: Williamsburg Green / 1**

### ELECTRICAL

Invoice	Qty.	Description
1680 362,858 25Aug24 **	1.0	KITCHEN - HEATING / AIR CONDITIONING-ROUGH-IN GAS LINE FOR GAS STOVE AT MAIN FLOOR (SEE SPECS) (HOOK-UP NOT INCLUDED) LEAVE STANDARD 120 VOLT ELECTRICAL OUTLET ON A SEPARATE CIRCUIT. * SPECIFY IF STANDARD 220V WILL STAY OR BE RELOCATED KEEP STD ELECTRICAL SKETCH # 3 <b>ELECTRICAL-Notify</b>
1680 362,655 25Aug24 **	1.0	KITCHEN - CABINETRY-32H-WALL CABINET WITH SHELF FOR MICROWAVE (FINISHED INTERIOR) (OPENING 24INW X 13 3/4INH X 17IND) (NOT AVAILABLE IN SOME LAMINATES) VIKING SKETCH # 3
1680 363,220 25Aug24	1.0	KITCHEN - ELECTRICAL-INTERIOR DUPLEX OUTLET WITH G.F.I. ON A SEPARATE CIRCUIT TO BE USED FOR THE MICROWAVE SHELF SKETCH # 3
1680 363,246 25Aug24	1.0	UPPER HALL - ELECTRICAL-REINFORCE CEILING BOX TO HOLD A LIGHT FIXTURE UP TO 75LBS TO BE USED FOR THE LIGHT ABOVE STAIRS OPENING SEE SKETCH #4
1680 363,261 25Aug24	1.0	KITCHEN - ELECTRICAL-RELOCATION OF SWITCHES/LIGHTS RELOCATE SRD. KITCHEN LIGHT TO BE ABOVE THE BREAKFAST BAR- USE STD. KITCHEN SWITCH SEE SKETCH # 2
1680 363,337 25Aug24 **	1.0	- DRYWALL - SMOOTH CEILING - SECOND FLOOR WITH RESILIENT CHANNEL - UPG <b>ELECTRICAL-Drop electrical boxes; PAINTING-Paint smooth ceiling</b>
1680 363,222 25Aug24	1.0	GREAT ROOM - ELECTRICAL-INTERIOR DUPLEX OUTLET ON EXISTING CIRCUIT TO BE INSTALLED 70"+-' FROM FLOOR ABOVE THE CENTRE OF THE FIRE PLACE SEE SKETCH # 2
1680 363,226 25Aug24	2.0	KITCHEN - ELECTRICAL-INTERIOR CAPPED-CEILING OUTLET (ROUGH-IN ONLY) (SWITCH WITH OTHERS) 2x ROUGH IN CAP LIGHT TO BE INSTALLED ABOVE THE BREAKFAST BAR- SWITCH TO BE TOGETHER WITH THE RELOCATED KITCHEN LIGHT SEE SKETCH # 2
1680 363,410 25Aug24	1.0	- CLASSIC COLLECTION SCHEDULE A - Choice of 20 LED (4000K) pot lights in finished areas (Second Floor Potlight(s) Require Smooth Ceiling) DRYWALL-Drywall Ceiling cutouts for potlights FRAMING-Frame to accommodate potlights 4X GREAT ROOM - USE STD SWITCH PLUG 4X DINING ROOM USE SEPARATE SWITCH-KEEP STD. R/I CAP LIGHT 4X KITCHEN USE SEPARATE SWITCH- RELOCATE STD. LIGHT 4X REAKFASST ROOM USE SEPARATE SWITCH- KEEP STD. LIGHT 4X MASTER BEDROOM- USE SEPARATE SWITCH SEE SKETCH # 2 AND 4

### FRAMING

Invoice	Qty.	Description
1680 363,389 25Aug24 **	1.0	GREAT ROOM - COFFERED CEILING - OPT. COFFERED CEILING - GREAT ROOM - UPG SKETCH # 2 <b>DRYWALL-Notify; FRAMING-Notify; PAINTING-Notify</b>





## CONSTRUCTION SUMMARY

**Lot: 33**  
**Model: 28-2550 B THE FOREST**  
**Project/Phase: Williamsburg Green / 1**

### GRANITE

Invoice	Qty.	Description
1680 364,091 25Aug24	1.0	Kitchen - GRANITE-GROUP 2 WITH 1 1/2 IN MITER EDGE-KITCHEN-UPG

### HARDWOOD

Invoice	Qty.	Description
1733 373,098 24Jul24	1.0	Opt. Kitchen/Breakfast - HARDWOOD-3/4 x 3 1/4 IN RED OAK NSS SELECT V-OPT. KITCHEN/BREAKFAST  SUPPLY AND INSTALL 3/4 X 3 1/4 IN RED OAK PEARL VINTAGE ENGINEERED SHALE HARDWOOD <b>CABINETRY-Raise Cabinet; CERAMICS-Delete Std Ceramics</b>
1680 373,115 25Aug24	1.0	Opt. Upper Hall - HARDWOOD-3/4 x 3 1/4 IN RED OAK NSS SELECT V-OPT. UPPER HALL  <b>CARPET-delete std carpet; INTERIOR TRIM-supply and install quarter rounds; PAINTING-paint quarter round</b>

### HEATING / AIR CONDITIONING

Invoice	Qty.	Description
1680 362,858 25Aug24	1.0	KITCHEN - HEATING / AIR CONDITIONING-ROUGH-IN GAS LINE FOR GAS STOVE AT MAIN FLOOR (SEE SPECS) (HOOK-UP NOT INCLUDED) LEAVE STANDARD 120 VOLT ELECTRICAL OUTLET ON A SEPARATE CIRCUIT. * SPECIFY IF STANDARD 220V WILL STAY OR BE RELOCATED KEEP STD ELECTRICAL SKETCH # 3 <b>ELECTRICAL-Notify</b>

### INTERIOR RAILINGS

Invoice	Qty.	Description
1680 375,515 25Aug24	1.0	- INTERIOR RAILING-SINGLE COLLAR ALT. PLAIN W/ SHOES WITH 3 1/2 IN SQUARE/CAP POST(S)-BLACK METAL-UPG 2

### INTERIOR TRIM AND DOORS

Invoice	Qty.	Description
1680 375,515 25Aug24 **	1.0	- INTERIOR RAILING-SINGLE COLLAR ALT. PLAIN W/ SHOES WITH 3 1/2 IN SQUARE/CAP POST(S)-BLACK METAL-UPG 2
1680 373,115 25Aug24 **	1.0	Opt. Upper Hall - HARDWOOD-3/4 x 3 1/4 IN RED OAK NSS SELECT V-OPT. UPPER HALL  <b>CARPET-delete std carpet; INTERIOR TRIM-supply and install quarter rounds; PAINTING-paint quarter round</b>



## CONSTRUCTION SUMMARY

**Lot: 33**  
**Model: 28-2550 B THE FOREST**  
**Project/Phase: Williamsburg Green / 1**

### PAINTING

Invoice	Qty.	Description
1680 363,389 25Aug24 **	1.0	GREAT ROOM - COFFERED CEILING - OPT. COFFERED CEILING - GREAT ROOM - UPG  SKETCH # 2 <b>DRYWALL-Notify; FRAMING-Notify; PAINTING-Notify</b>
1680 375,515 25Aug24 **	1.0	- INTERIOR RAILING-SINGLE COLLAR ALT. PLAIN W/ SHOES WITH 3 1/2 IN SQUARE/CAP POST(S)-BLACK METAL-UPG 2
1680 363,337 25Aug24 **	1.0	- DRYWALL - SMOOTH CEILING - SECOND FLOOR WITH RESILIENT CHANNEL - UPG  <b>ELECTRICAL-Drop electrical boxes; PAINTING-Paint smooth ceiling</b>
1680 373,115 25Aug24 **	1.0	Opt. Upper Hall - HARDWOOD-3/4 x 3 1/4 IN RED OAK NSS SELECT V-OPT. UPPER HALL  <b>CARPET-delete std carpet; INTERIOR TRIM-supply and install quarter rounds; PAINTING-paint quarter round</b>

### SECURITY

Invoice	Qty.	Description
1680 363,189 25Aug24	1.0	- SECURITY-SECURITY CAMERA ROUGH-IN  BACK WALL SEE SKETCH # 2



Sales Selection Sheet  
Williamsburg Green

16 of 53

PURCHASERS: RAVI JIYANI and NIDHI RAMESHBHAI KACHHADIYA

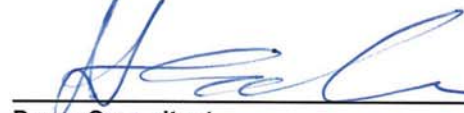
TEL:

LOT / UNIT 33	PHASE 1	MODEL 28-2550 B THE FOREST	
------------------	------------	-------------------------------	--

PURCHASER:

  
RAVI JIYANI

03-May-24  
DATE

  
Decor Consultant

03-May-24  
DATE

PURCHASER:

  
NIDHI RAMESHBHAI KACHHADIYA

03-May-24  
DATE

-05-08-2024



Date Approved Heathwood Homes (Williamsburg)  
Limited

TAX#:1

PREPARED BY: Irit Salem

PE 1,680-4

SInvoice.rpt 28may19



## THE FOREST

ELEVATION B | 3,352 SQ. FT.

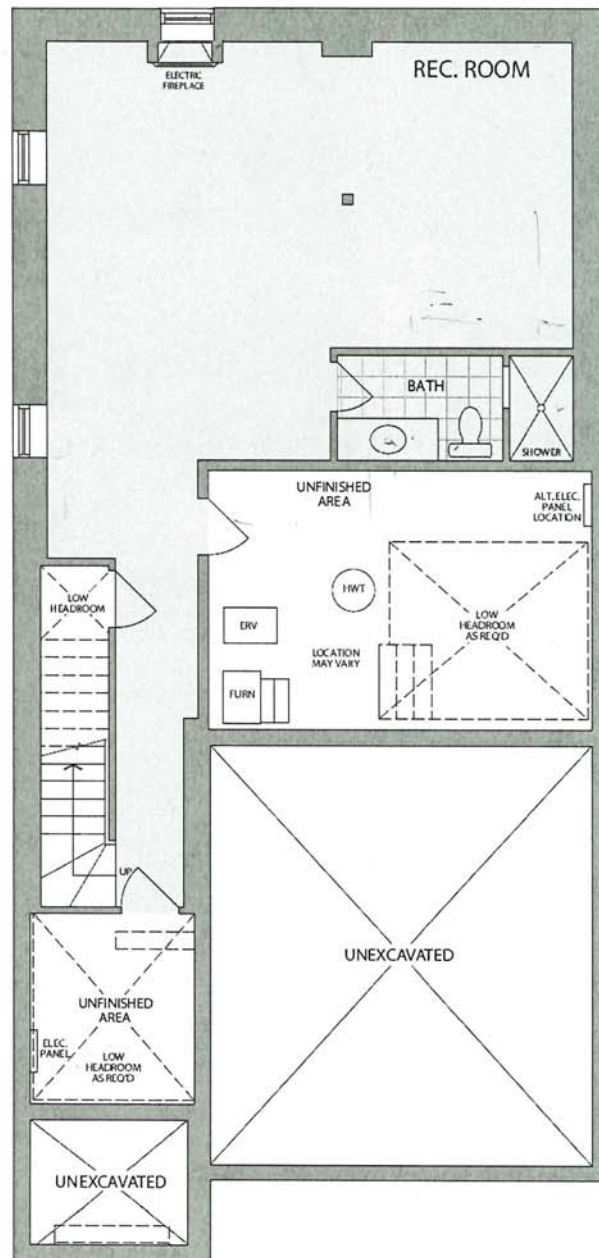
Including 802 sq. ft. of Finished Lower Level

### 28-2550 ELEV. B

### Finished Lower Level



Sketch #1



LOWER LEVEL  
ELEVATION B

\* Floor plan may vary due to grading conditions.

RJ

## THE FOREST

ELEVATION B | 3,352 SQ. FT.

Including 802 sq. ft. of Finished Lower Level

### 28-2550 ELEV. B

### Main Level

*Sketch #2*



CAMERA ROUGH IN

4 X POTLIGHTS ON SEPERATE SWITCH

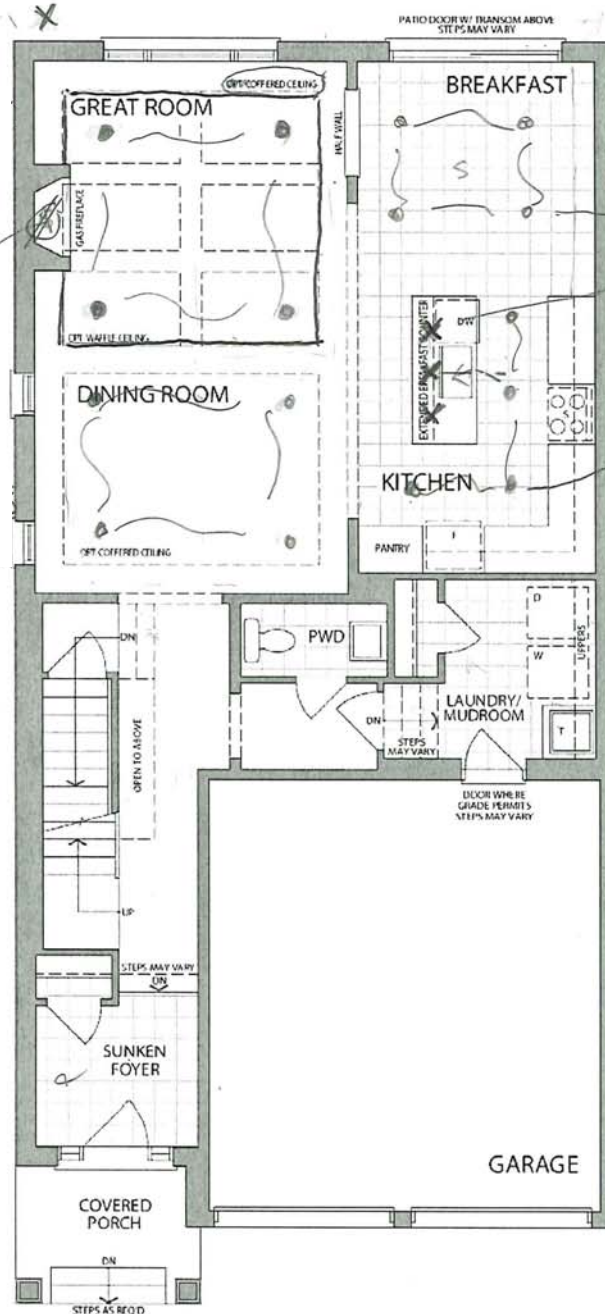
ELECTRICAL PLUG 70"+/- FROM FLOOR ABOVE FIREPLACE

4 X POTLIGHTS ON SEPERATE SWITCH

4 X POTLIGHTS ON SEPERATE SWITCH

3 CAPPED: RELOCATE STD. KITCHEN LIGHT TO BE ABOVE ISLAND USE STD. KITCHEN SWITCH +2 CAPPED ROUGH IN

4 X POTLIGHTS ON SEPERATE SWITCH



MAIN LEVEL ELEVATION B

*RJ*

\* Floor plan may vary due to grading conditions.

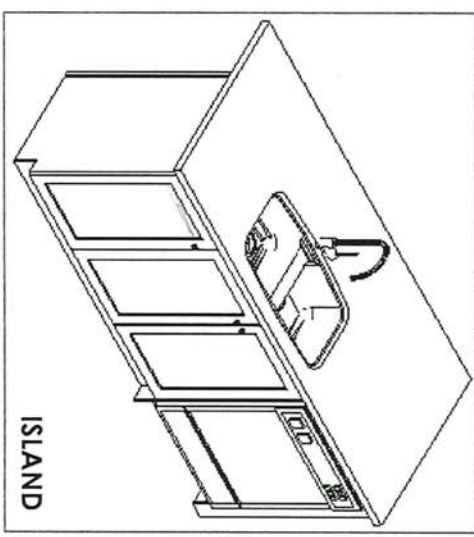
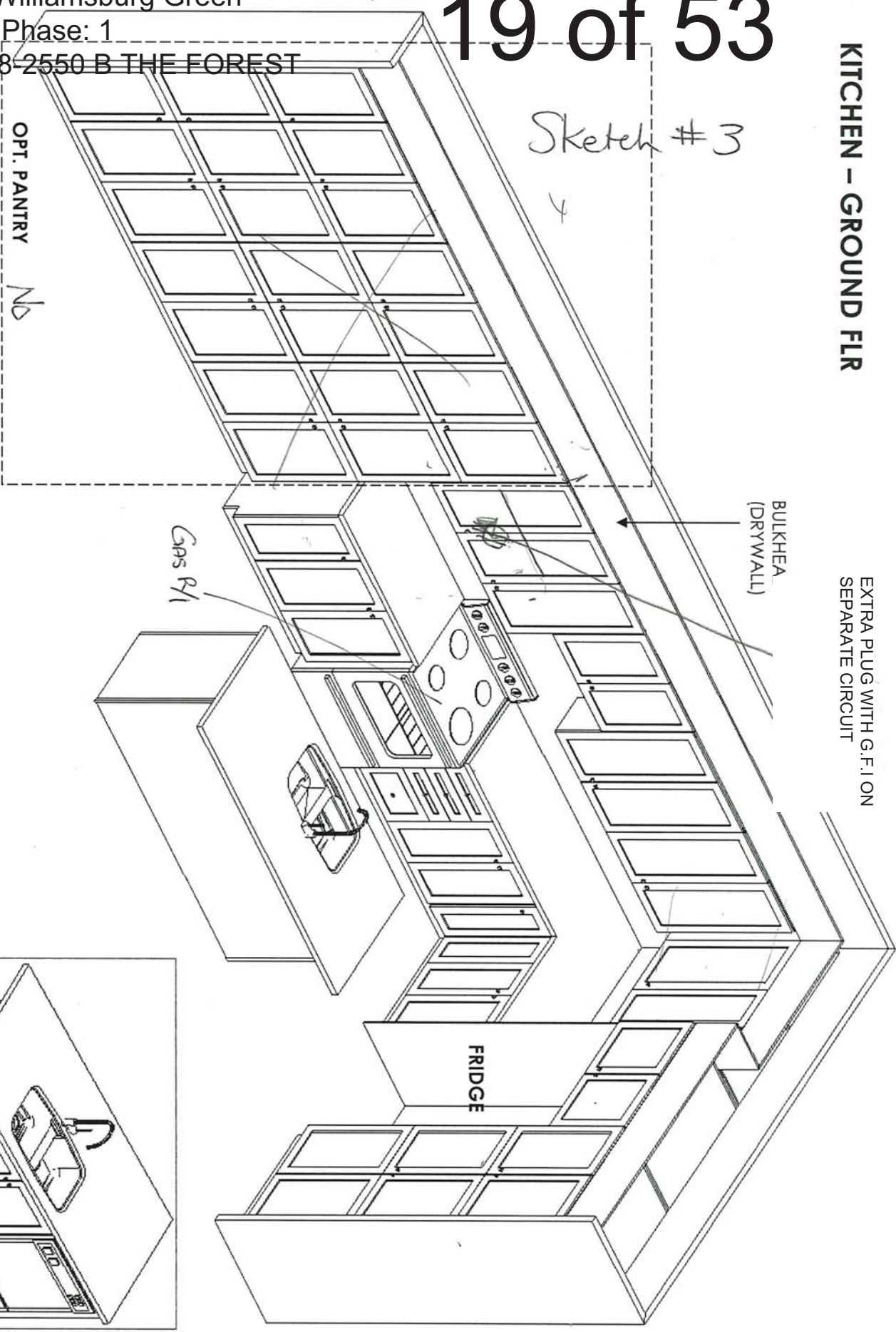
**KITCHEN - GROUND FLR**

EXTRA PLUG WITH G.F.I. ON  
SEPARATE CIRCUIT

19 of 53

Project: Williamsburg Green  
Unit: 33, Phase: 1  
Model: 28-2550 B THE FOREST

Sketch #3



This sketch is for DESIGN PURPOSES ONLY - It is not meant to be an exact rendition.



**FRENDEL**  
KITCHENS LIMITED  
1350 Showson Drive, Mississauga, ON L4W 1C5

**HEATHWOOD HOMES**  
WILLIAMSBURG  
**MODEL: FOERST- ALL BRICK**  
28-2550 (3402)

**STANDARD CONTRACT INCLUDES:**

**Appliance Openings**

- Hood: 30" W Builder Hood
- Fridge Opening: 37 3/8 " W X 73 3/8"
- Fridge cabinet & gables: 66cm Deep
- Stove Opening: 30" Freestanding
- Dishwasher Opening: 24"

**Standard Scope Kitchen, Vanity, Laundry:**

- 100cm H wall Cabinets
- Base Pie Cut Corner Cabinets
- Std. Blumotion Hinges-**Soft Close Doors**
- Std. Metabox Drawers-**Not Soft Close**
- Top Drawer In Principal Ensuite (Qty x1)
- Std. Laundry Uppers - 61cm H
- Std. Laundry Base
- Std. Basement Baths
- Backing on All - Except Sink Cabinets
- Countertop by Others for Kitchen & Principal Ensuite

Drawn By: Sepideh B  
Date: August 25, 2023  
Scale: Not To Scale

THIS DRAWING IS FOR DESIGN PURPOSES ONLY.  
IT IS NOT AN EXACT RENDITION.



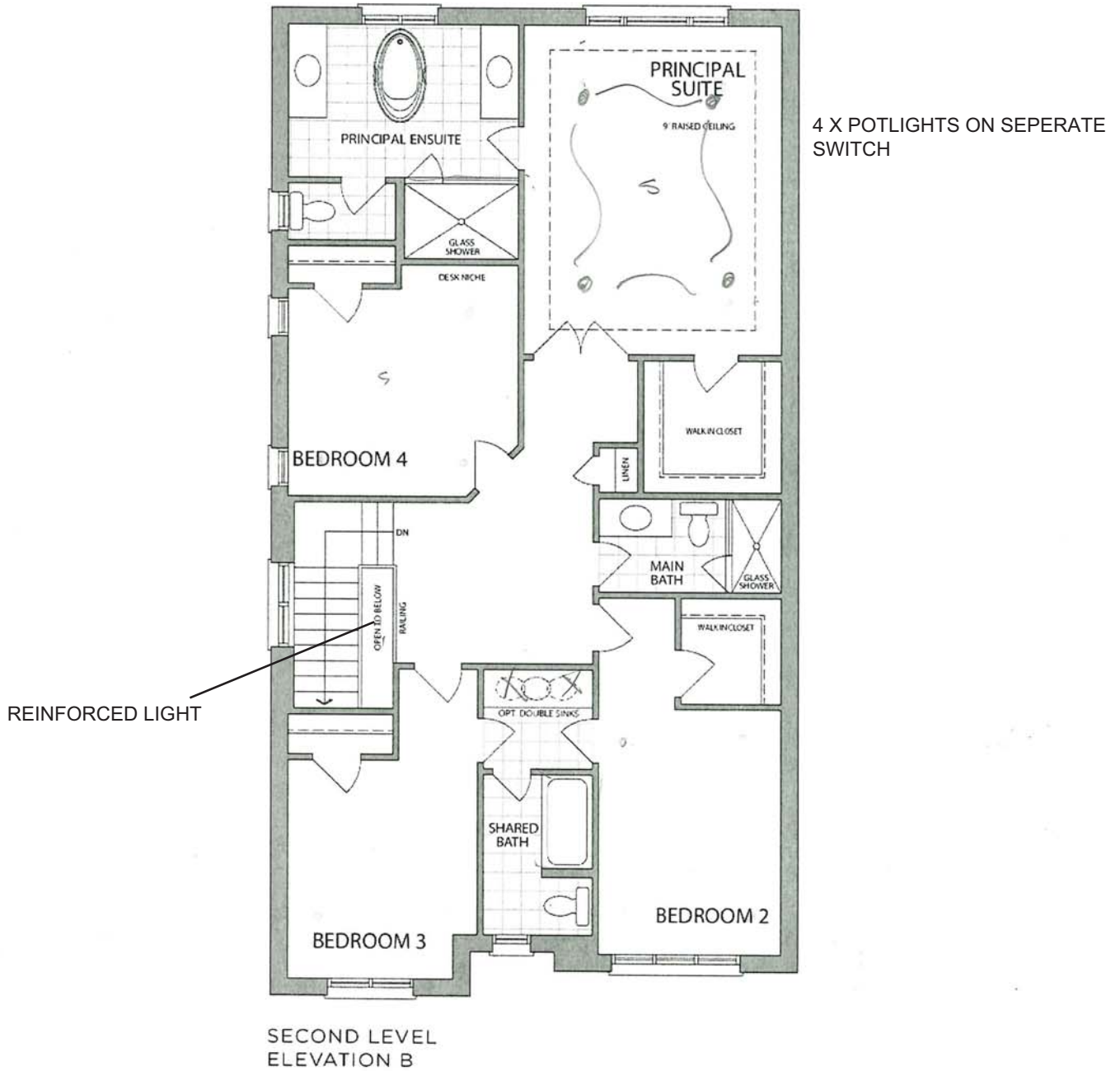
## THE FOREST

ELEVATION B | 3,352 SQ. FT.  
Including 802 sq. ft. of Finished Lower Level

### 28-2550 ELEV. B Second Level



Sketch # 4

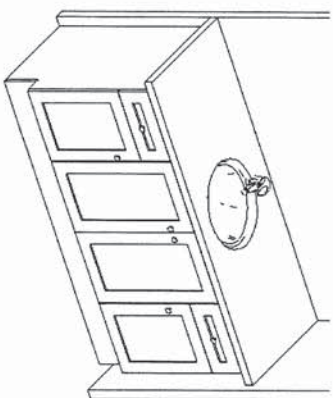


\* Floor plan may vary due to grading conditions.

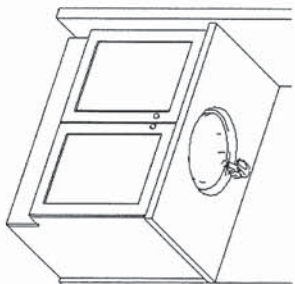


**2ND FLOOR CABINETRY**

**PRINCIPAL ENSUITE**



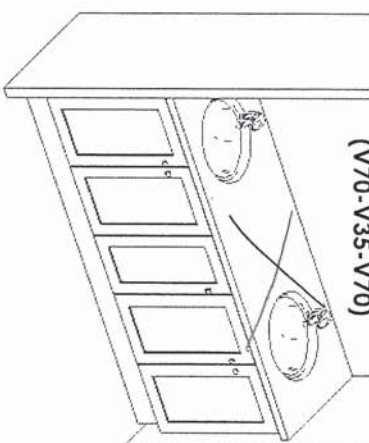
**MAIN BATH**



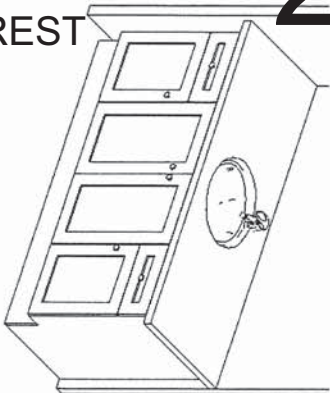
**SHARED BATH  
STANDARD SINGLE SINK**



**OPTIONAL DOUBLE SINK  
(V70-V35-V70)**



Sketch # 21 of 53



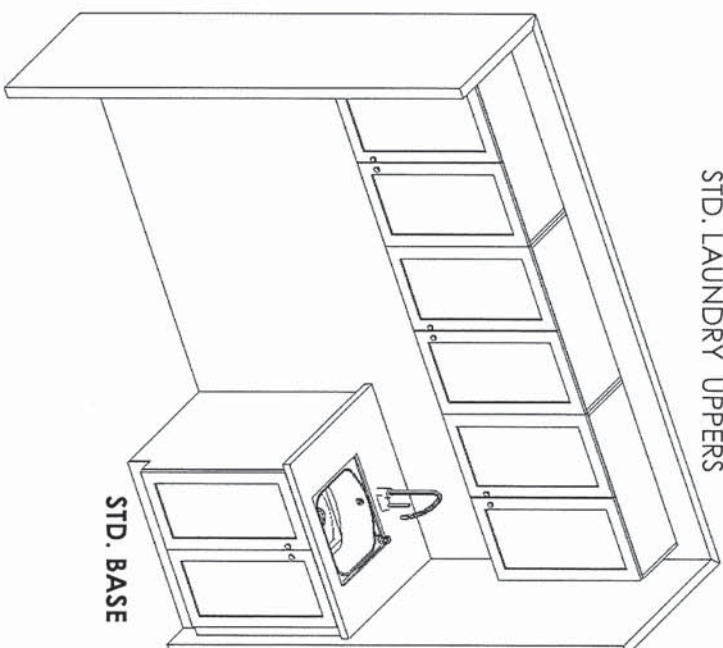
**BASEMENT**

**OPT. FINISHED BASEMENT**



**LAUNDRY**

**STD. LAUNDRY BASE  
STD. LAUNDRY UPPERS**



**STD. BASE**



**F R E N D E L**  
K I T C H E N S L I M I T E D  
1350 Shawson Drive, Mississauga, ON L4W 1G5

**HEATHWOOD HOMES**  
WILLIAMSBURG

**MODEL: FOERST- ALL BRICK**  
28-2550 (3402)

**STANDARD CONTRACT INCLUDES:**

**Appliance Openings**

- Hood: 30"W Builder Hood
- Fridge Opening: 37 3/8 "W X 73 3/8"
- Fridge cabinet & gables: 66cm Deep
- Stove Opening: 30" Freestanding
- Dishwasher Opening: 24"

**Standard Scope Kitchen, Vanity, Laundry:**

- 100cm H wall Cabinets
- Base Pie Cut Corner Cabinets
- Std. Blumotion Hinges-**Soft Close Doors**
- Std. Metabox Drawers-**Not Soft Close**
- Top Drawer In Principal Ensuite (Qty x1)
- Std. Laundry Uppers - 61cm H
- Std. Laundry Base
- Std. Basement Baths
- Backing on All - Except Sink Cabinets
- Countertop by Others for Kitchen & Principal Ensuite

Drawn By: Sepideh B  
Date: August 25, 2023  
Scale: Not To Scale

Project: Williamsburg Green  
Unit: 33, Phase: 1  
Model: 28-2550 B THE FOREST

This sketch is for DESIGN PURPOSES ONLY – It is not meant to be an exact rendition.

THIS DRAWING IS FOR DESIGN PURPOSES ONLY.  
IT IS NOT AN EXACT RENDITION.



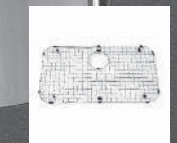
**NEAS NF17 Mantel** -CABINET

GREAT ROOM STD GAS FIREPLACE AND  
LOWER LEVEL REC ROOM STD ELECTRICAL FIREPLACE

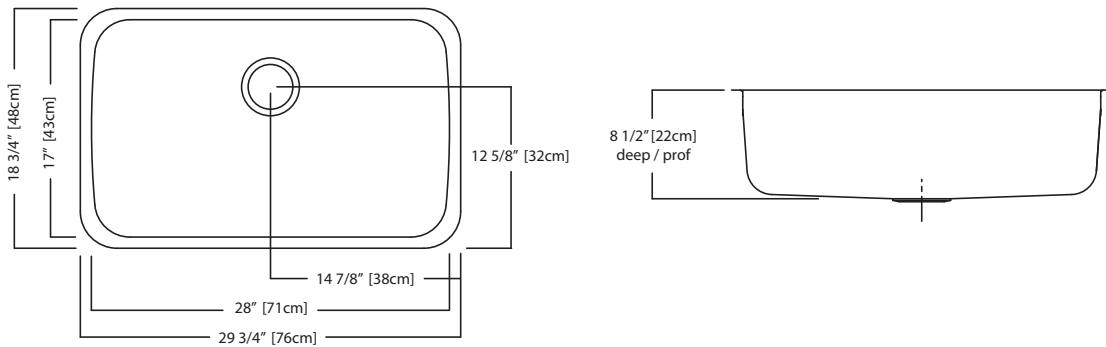


*Reginox*

NS1930U/9



Optional Accessory  
BC90S



## NS1930U/9 SPECIFICATION

Model NS1930U/9 is a single bowl, undermount sink manufactured for Franke Kindred Canada Limited from 18 gauge, 18-10 stainless steel. Product has mirror finished rim and brush finished bowl. Sink is fully undercoated. Basket strainer waste fitting (3 1/2", 89 mm) are included. Sink is backed with a limited buyer lifetime warranty.

- O.D. 18 3/4" x 29 3/4" x 8 1/2" (48 x 76 x 22 cm)
- **Recommended for minimum 36" cabinet**

# MOEN®

There is more than 1 version of this model.  
 Page down to identify the version you have.

## FAUCET DESCRIPTION

- Reflex™ pulldown system offers smooth operation, easy movement and secure docking
- Power Clean™ spray technology
- Metal construction with various finishes identified by suffix
- Duralock™ connect installation
- Pulldown spray with 68" braided hose
- Flexible supply lines with 3/8" compression fittings
- High arc spout provides height and reach to fill or clean large pots while pulldown wand provides the maneuverability for cleaning or rinsing
- 360° rotating spout
- Faucet designed for handle to be mounted on right side only

## OPERATION

- Lever style handle
- Temperature controlled by 100° arc of handle travel
- Operates with less than 5 lbs. of force
- Operates in stream or spray mode in the pullout or retracted position

## FLOW

- Flow is limited to 1.5 gpm (5.7 L/min) max at 60 psi

## CARTRIDGE

- 1255™ Duralast™ cartridge

## STANDARDS

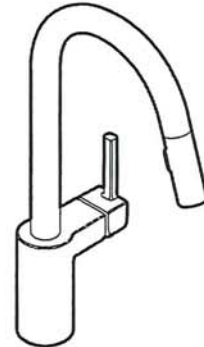
- Third party certified to IAPMO Green, ASME A112.18.1/CSA B125.1 and all applicable requirements therein including NSF 61/9G & 372
- Meets CalGreen and Georgia SB370 requirements
- Complies with California Proposition 65 and with the Federal Safe Drinking Water Act
- The backflow protection system in the device consists of two independently operating check valves, a primary and a secondary which prevent backflow

- ADA  for lever handle

## WARRANTY

- Lifetime limited warranty against leaks, drips and finish defects to the original homeowner
  - 10 year limited warranty when used in a multifamily installation
  - 5 year limited warranty when used in a commercial installation
- Visit [www.moen.com/support](http://www.moen.com/support) for complete details and limitations

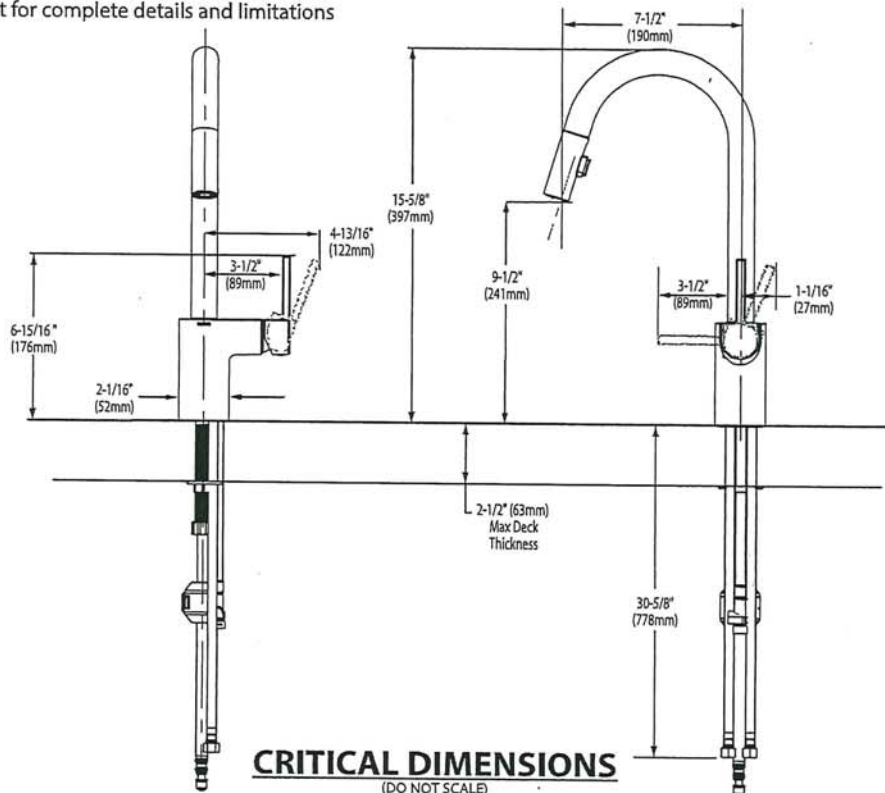
# Specifications



**ALIGN™**  
 Single Handle High Arc  
 Pulldown Kitchen Faucet

Models: 7565 series

**NOTE:** THIS FAUCET IS DESIGNED TO BE INSTALLED THROUGH 1 HOLE, 1-1/2" (38mm) MIN. DIA. (OPTIONAL 3-HOLE ESCUTCHEON 141002 AVAILABLE)







BARRIER FREE (ABOVE COUNTER OR DROP-IN ONLY)

**BOULEVARD®**  
**PEDESTAL SINK**  
VITREOUS CHINA

### BOULEVARD® PEDESTAL SINK

- STD  0641.800 Faucet holes on 8" (203mm) centers (Illustrated)
- 0641.400 Faucet holes on 4" (102mm) centers
- 0641.100 Center hole only
- Classic styled rectangular pedestal lavatory
  - Vitreous china
  - Rear overflow
  - Supplied with mounting kit
  - Right Height® for greater comfort during use
  - Faucet ledge with large deck area (faucet not included)
  - **Design coordinates with Boulevard® Toilet**
  - Basin has flat bottom to also allow use as an **above counter** sink or a **drop-in** sink (with u-shaped cut out)

#### Nominal Dimensions:

24" x 19" x 35-1/2"  
(610 x 483 x 902mm)

- 0641.008 Pedestal top-8" (203mm) centers
- 0641.004 Pedestal top-4" (102mm) centers
- 0641.001 Pedestal top-center hole only
- 0010.000 Pedestal only

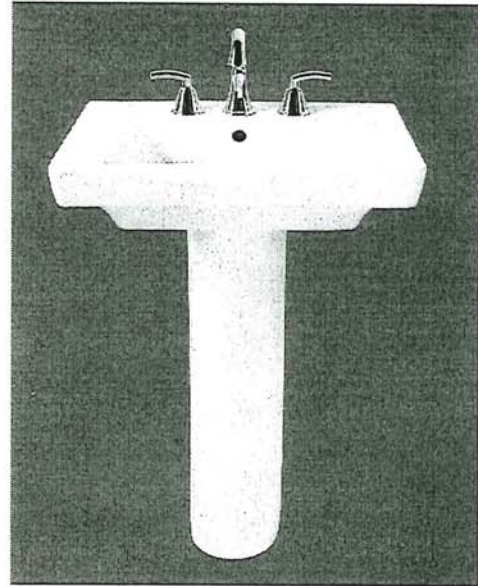
#### Bowl sizes:

17" (432mm) wide,  
12-1/2" (318mm) front to back,  
5" (127mm) deep

#### Compliance Certifications -

#### Meets or Exceeds the Following Specifications:

- ASME A112.19.2 - 2008/CSA B45.1-08



SEE REVERSE FOR ROUGHING-IN DIMENSIONS

#### To Be Specified:

- Color:  White  Linen
- Faucet Finish:
- Supplies:
- 1-1/4" Trap:
- Nipple:

\* See faucet section for additional models available

*American Standard*

Style That Works Better

 BARRIER FREE

PRINCIPAL (MASTER) ENSUITE

**OVALYN™**  
**UNDERCOUNTER SINK**  
VITREOUS CHINA

### OVALYN™ UNDERCOUNTER SINK

- Classic oval undermount sink
- Made from vitreous china
- Front overflow
- Supplied with mounting kit (047194-0070A) and template

**0495.221 Unglazed rim**

435 x 359mm  
(17-1/8" x 14-1/8")

**0495.300 Glazed underside**

**Bowl size:**

382mm (15-1/16") wide  
306mm (12-1/16") front to back  
140mm (5-1/2") deep

**0496.221 Unglazed rim**

489 x 413mm  
(19-1/4" x 16-1/4")

**0496.300 Glazed underside**

**Bowl size:**

432mm (17") wide  
356mm (14") front to back  
140mm (5-1/2") deep

**0497.221 Unglazed rim**

546 x 441mm  
(21-1/2" x 17-3/8")

**0497.300 Glazed underside**

**Bowl size:**

483mm (19") wide  
391mm (15-3/8") front to back  
140mm (5-1/2") deep

**Compliance Certifications -**

**Meets or Exceeds the Following Specifications:**

- ASME A112.19.2M for Vitreous China Fixtures
- CAN/CSA B45 series

**To Be Specified:**

- Color:  White  Bone  Linen  
 Silver  Fawn Beige  Black
- Faucet\*:  
 Faucet Finish:  
 Supplies:  
 1-1/4" Trap:

\* See faucet section for additional models available



STD Master Ensuite Undermount SINGLES

SEE REVERSE FOR ROUGHING-IN DIMENSIONS



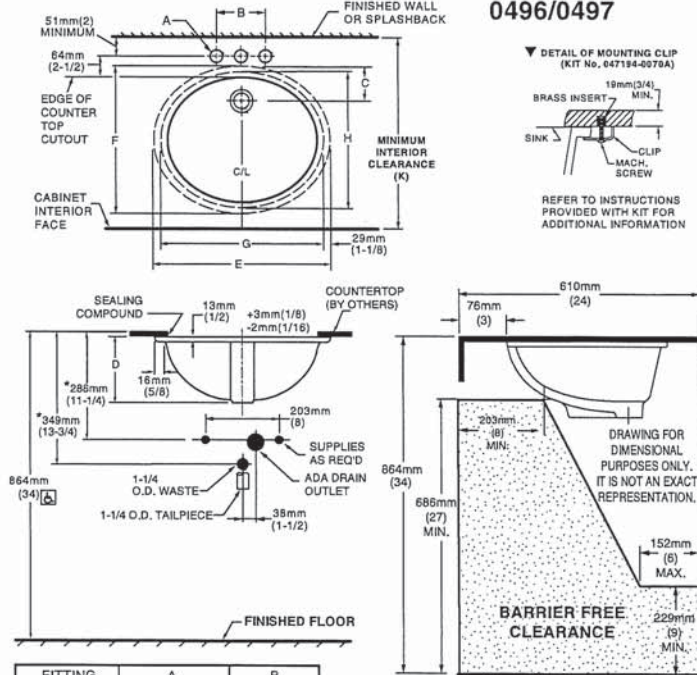
*American Standard*

Style That Works Better

**OVALYN™  
 UNDERCOUNTER SINK  
 VITREOUS CHINA**

**BARRIER FREE**

**0496/0497**



**NOTES:**  
 \* DIMENSIONS SHOWN FOR LOCATION OF SUPPLIED AND "P" TRAP ARE SUGGESTED.  
 ▼ UNDERCOUNTER MOUNTING KIT SUPPLIED WITH SINK.  
**PLEASE NOTE MINIMUM INTERIOR CLEARANCE DIMENSION (K). FITTINGS NOT INCLUDED AND MUST BE ORDERED SEPARATELY. USE ENCLOSED TEMPLATE FOR COUNTERTOP CUTOUT SEALING COMPOUND SUPPLIED BY OTHERS.**

**IMPORTANT:** Dimensions of fixtures are nominal and may vary within the range of tolerances established by ANSI Standard A112.19.2. These measurements are subject to change or cancellation. No responsibility is assumed for use of superseded or voided pages.

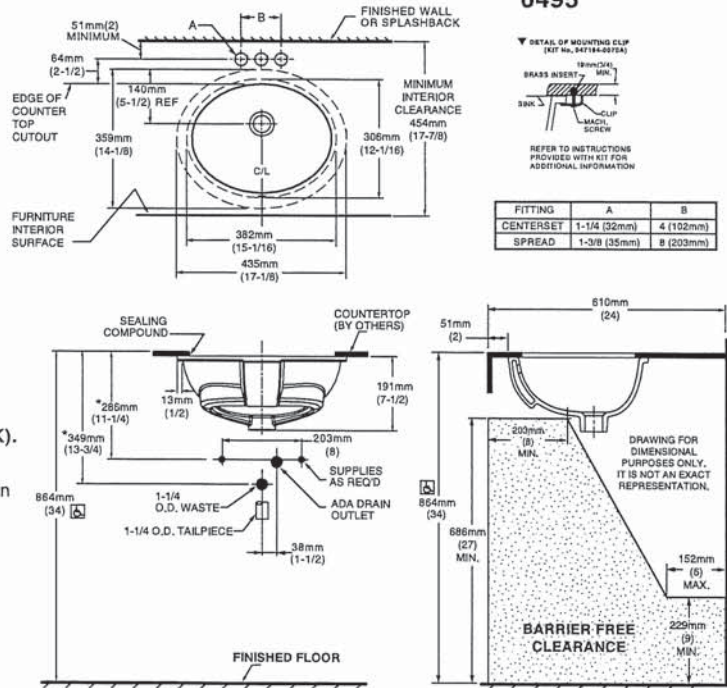
**MEETS THE AMERICANS WITH DISABILITIES ACT GUIDELINES AND ANSI A117.1 ACCESSIBLE AND USEABLE BUILDINGS AND FACILITIES - CHECK LOCAL CODES.**

Countertop 864mm (34") from finished floor. Lavatory installed 76mm (3") from front edge of countertop. Countertop thickness to be 25mm (1") maximum.

FITTING	A	B
CENTERSET	1-1/4 (32mm)	4 (102mm)
SPREAD	1-3/8 (35mm)	8 (203mm)

CAT. NO.	E	F	G	H	C	D	J	K
0496.221	489mm (19-1/4)	413mm (16-1/4)	432mm (17)	356mm (14)	103mm (4-1/16)	182mm (7-3/16)	16mm (5/8)	500mm (19-11/16)
0497.221	546mm (21-1/2)	441mm (17-3/8)	483mm (19)	391mm (15-3/8)	95mm (3-3/4)	191mm (7-1/2)	19mm (3/4)	534mm (21-1/16)

**0495**



**NOTES:**  
 USE ENCLOSED TEMPLATE FOR COUNTER TOP CUTOUT. FITTINGS NOT INCLUDED WITH FIXTURE AND MUST BE ORDERED SEPARATELY.  
 \* DIMENSIONS SHOWN FOR LOCATION OF SUPPLIED AND "P" TRAP ARE SUGGESTED.  
 ▼ UNDERCOUNTER MOUNTING KIT SUPPLIED WITH SINK.  
**PLEASE NOTE MINIMUM INTERIOR CLEARANCE DIMENSION (K). SEALING COMPOUND SUPPLIED BY OTHERS.**

**IMPORTANT:** Dimensions of fixtures are nominal and may vary within the range of tolerances established by ANSI Standard A112.19.2. These measurements are subject to change or cancellation. No responsibility is assumed for use of superseded or voided pages

**MEETS THE AMERICANS WITH DISABILITIES ACT GUIDELINES AND ANSI A117.1 ACCESSIBLE AND USABLE BUILDINGS AND FACILITIES - CHECK LOCAL CODES.**

Countertop 864mm (34") from finished floor. Lavatory installed 51mm (2") from front edge of countertop. Countertop thickness to be 25mm (1") maximum.

*American Standard*

**BARRIER FREE**

**COLONY™  
 COUNTERTOP SINK**  
 VITREOUS CHINA

**COLONY COUNTERTOP SINK**

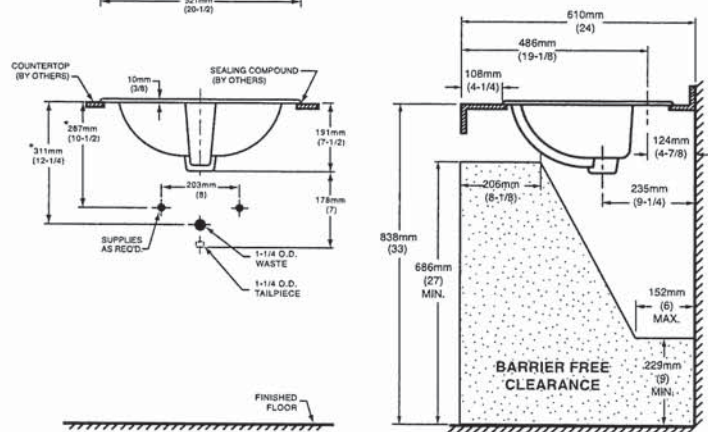
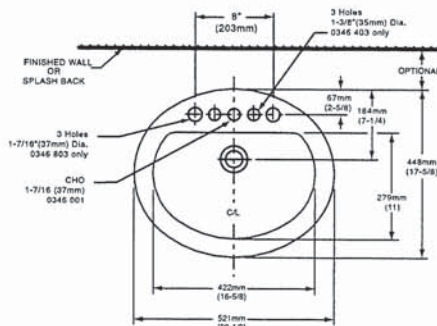
- Vitreous china
- Self-rimming
- Front overflow
- Supplied with template
- Faucet deck  
 (Faucet shown not included)



- 0346 803**  
 Faucet holes on 203mm (8") centres
- 0346 403 (Illustrated)**  
 Faucet holes on 102mm (4") centres
- 0346 001**  
 Centre hole only

Nominal Dimensions:  
 521 x 448mm (20-1/2" x 17-5/8")

Bowl sizes:  
 422mm (16-5/8") wide, 279mm (11") front to back, 143mm (5-5/8") deep



**COMPLIANCE CERTIFICATIONS –**  
 Meets or exceeds the following Specifications:  
 • ASME A112.19.2M for Vitreous China Fixtures.  
 • CAN/CSA B45 Series.

- To Be Specified
- Colour:  White  Bone  Silver Gray  
 Linen
  - Faucet\*:
  - Faucet Finish:
  - Supplies & Stops:
  - Trap 1-1/4" (32 mm):

**NOTES:**  
 \* DIMENSIONS SHOWN FOR LOCATION OF SUPPLIES AND "P" TRAP ARE SUGGESTED. FOR COUNTERTOP CUTOUT AND INSTALLATION INSTRUCTIONS USE TEMPLATE SUPPLIED WITH SINK.  
 FAUCETS NOT INCLUDED AND MUST BE ORDERED SEPARATELY.  
 IMPORTANT: Dimensions of fixtures are nominal and may vary within the range of tolerances established by ANSI Standard A112.19.2.  
 These measurements are subject to change or cancellation. No responsibility is assumed for use of superseded or voided pages.

\* See faucet section for additional models available





## DEMI™ Product Specification Sheet

### Two Piece Freestanding Collection



CF2007 Two Piece Freestanding Soaker

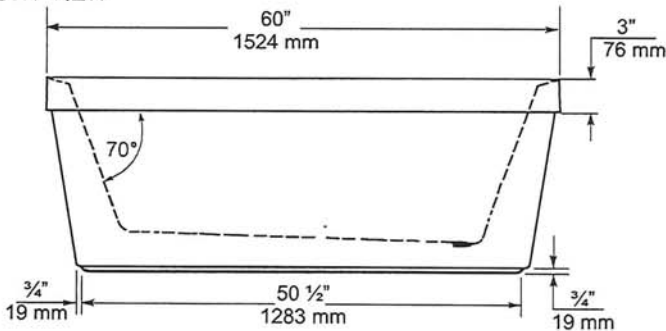
Size: 60" x 32" x 22"  
 1524 mm x 813 mm x 559 mm

#### PRODUCT FEATURES & BENEFITS

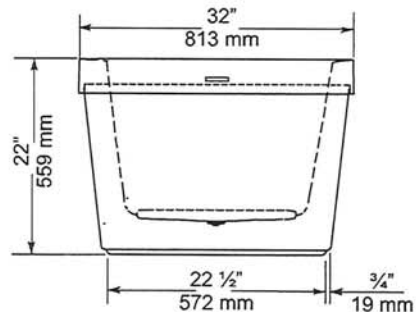
- Vacuum formed acrylic reinforced with fiberglass
- Scratch, stain and fade resistant high gloss finish
- Installation friendly two piece design
- Accepts deck mounted faucet
- Includes integral pop up drain and rectangular overflow
- Includes levelling feet

#### TWO PIECE ASSEMBLY

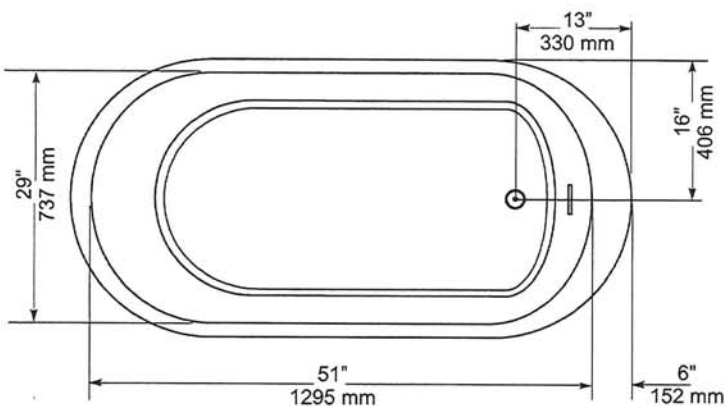
FRONT VIEW



END VIEW



TOP VIEW



#### GENERAL SPECIFICATIONS

Average Weight	90 lb	41 kg
Bathing Well at bottom	43" x 20"	1092 x 508 mm
Capacity Drain to Overflow		195 litres
Water Depth Drain to Overflow	16"	406 mm
Drain Opening (dia.)	2"	51 mm
Overflow Opening	2 1/4" x 1 1/2"	57 x 13 mm
Drain to Floor Clearance	3 1/4"	83 mm

**NOTES:** Please confirm measurements on actual product to ensure proper identification. Bathtub to be installed on the floor supported by 5 self levelling feet. Adjust if required to level the bathtub for adequate drainage. Refer to installation instructions for additional information.

**IMPORTANT:** Dimensions of fixtures are nominal and may vary  $\pm 1/4"$  (6 mm). Weight may vary  $\pm 5$  lb (2.3 kg). Drawing is not to scale. These measurements are subject to change at manufacturer's discretion.

#### Compliance Certifications -

Meets or Exceeds the following Specifications:

- CAN/CSA - B45 Series



*American Standard*  
 Style That Works Better

## FloWise™ DUAL FLUSH ELONGATED TOILET

VITREOUS CHINA

### FloWise™ DUAL FLUSH ELONGATED TOILET

**2476 216**

- Vitreous china
- Low-consumption Dual Flush  
 Full flush 6.0 Lpf/1.3 gpf,  
 Partial flush 3.0 Lpf/0.66 gpf.
- Elongated wash down bowl
- Internal trapway fully-glazed,  
 2-1/4" (57mm) ballpass
- Concealed trapway bowl
- Chrome-plated top mounted  
 push button actuator
- Easy to clean sanitary dam on bowl
- Includes Elongated Slow Close Seat
- 100% factory flush tested
- 2 bolt caps



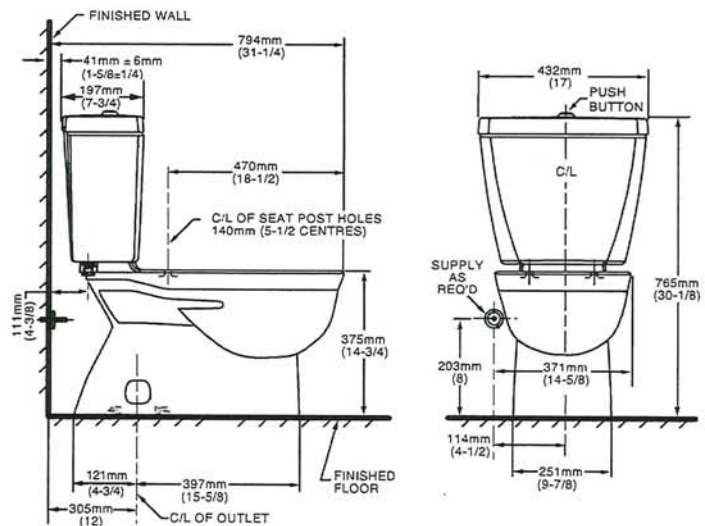
**Separate Component Parts:**

- 3067 316** Elongated Bowl with Slow Close Seat
- 4035 216** Unlined Tank

**2476 516** Same as above with Lined tank

- 3067 316** Elongated Bowl
- 4035 516** Lined Tank

Nominal Dimensions:  
 794 x 432 x 765mm  
 (31-1/4" x 17" x 30-1/8")



**Compliance Certifications -  
 Meets or Exceeds the Following Specifications:**

- ASME A112.19.2M (and 19.6M)
- CAN/CSA B45 series

To Be Specified

- Colour: 020 White
- Supply with stop:

**NOTES:**  
 THIS TOILET IS DESIGNED TO ROUGH-IN AT A MINIMUM DIMENSION OF 305MM (12") FROM FINISHED WALL TO C/L OF OUTLET.  
 SUPPLY NOT INCLUDED WITH FIXTURE AND MUST BE ORDERED SEPARATELY.  
 \* DIMENSION SHOWN FOR LOCATION OF SUPPLY IS SUGGESTED.  
 FOR ADDITIONAL INFORMATION REFER TO INSTALLATION INSTRUCTIONS SUPPLIED.  
 IMPORTANT: Dimensions of fixtures are nominal and may vary within the range of tolerance established by ANSI Standard A112.19.2  
 These measurements are subject to change or cancellation. No responsibility is assumed for use of superseded or voided pages.

**UPGRADED VALUE ADDED FEATURES AT NO EXTRA CHARGE**



# MOEN®

## Specifications

### DESCRIPTION

- Metal construction with various finishes identified by suffix
- 16" long 3/8" tubing connections
- Includes metal or 50/50 pop-up type waste assembly where noted

### OPERATION

- Pivot action lever style handle
- Temperature controlled through 180° degree arc of handle travel

### FLOW

- Flow is limited to 1.5 gpm max (5.7L/min) at 60 psi

### CARTRIDGE

- 1225 cartridge design
- Nonmetallic/nonferrous and stainless steel material
- Can accommodate reversed piping and back to back installations

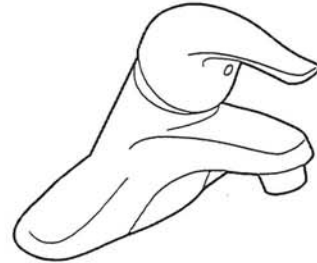
### STANDARDS

- Third party certified to WaterSense®, CSA B-125.1, ASME A112.18.1 and all applicable requirements referenced therein including NSF61/9
- Complies with California Proposition 65 and with the Federal Safe Drinking Water Act

- **ADA**  for lever handle

### WARRANTY

- Lifetime limited warranty against leaks, drips and finish defects to the original consumer purchaser
- 5 year warranty if used in commercial installations



### CHATEAU®

#### Single-Handle Lavatory Faucet

#### with Metal Waste Assembly

Model: L4625 series

L4631BC

Bulk Packed (12 per carton):

L64624 series

#### with 50/50 Waste Assembly

Bulk Packed (12 per carton):

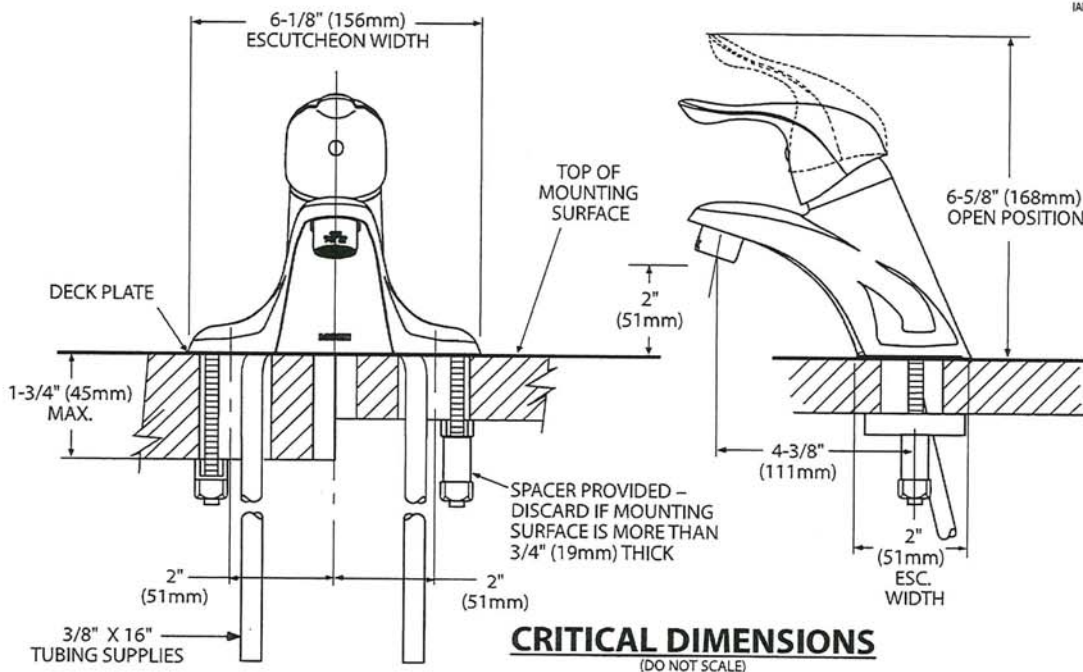
L64625 series

#### Less Waste

Bulk Packed (12 per carton):

L64600 series

**NOTE:** THIS FAUCET IS DESIGNED TO BE INSTALLED THRU 3-1" DIA. HOLES, 2" ON CENTER





Buy it for looks. Buy it for life.®

*There is more than 1 version of this model.  
 Page down to identify the version you have.*

**DESCRIPTION**

- Metal construction with various finishes identified by suffix
- Includes non-metallic showerhead, arm, flange and non-metallic diverter tub spout

**OPERATION**

- Handle operates counterclockwise through a 270° arc with off at 6 o'clock and maximum hot at the 9 o'clock position. Shut off in clockwise direction
- Adjustable temperature limit stop to control maximum hot water temperature
- Pressure balancing mechanism maintains selected discharge temperature to ± 3°

**FLOW**

- Showerhead is limited to 2.5 gpm (9.5 L/min) at 80 psi
- EP suffix models are limited to 1.75 gpm (6.6 L/min) at 80 psi
- NH suffix models contain no showerhead

**CARTRIDGE**

- 1222 cartridge design
- Accommodates back to back installations
- Nonmetallic/nonferrous and stainless steel material

**STANDARDS**

- Third party certified to meet ASME A112.18.1/CSA B125.1 and all applicable requirements referenced therein
- EP suffix models are third party certified to WaterSense®

- **ADA** for lever handle

**WARRANTY**

- Lifetime limited warranty against leaks, drips and finish defects to the original consumer purchaser
- 5 year warranty if used in commercial installations

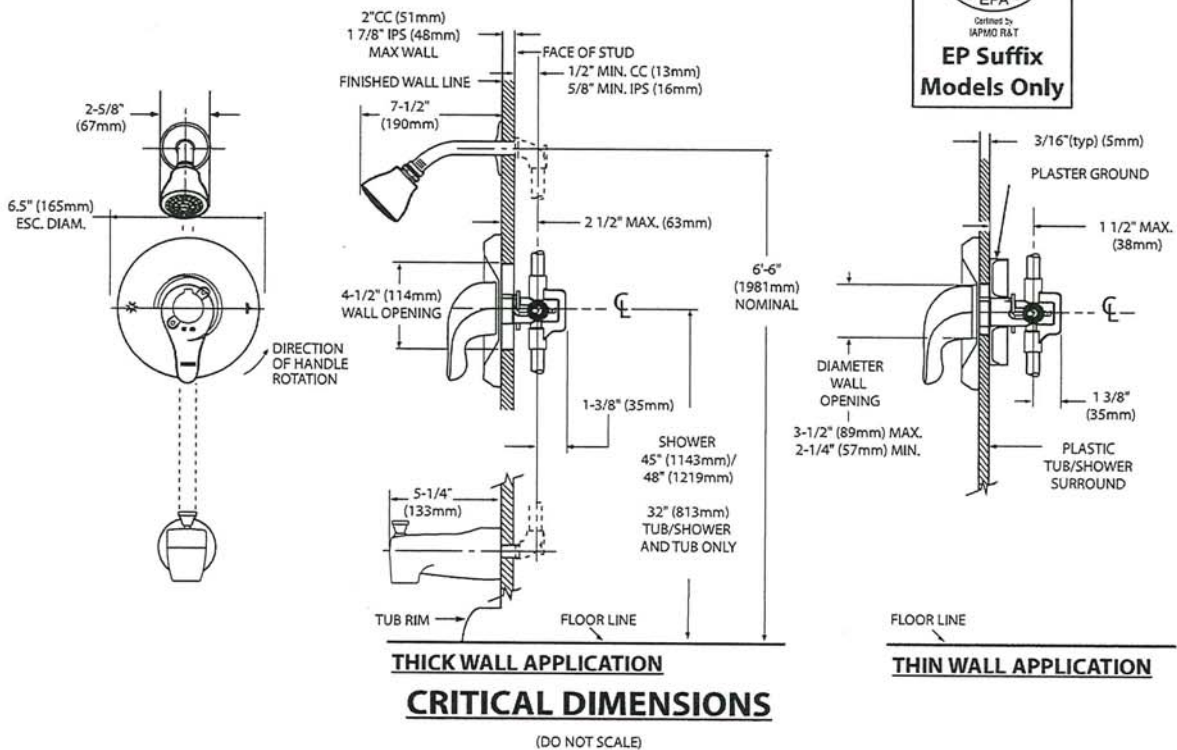
## Specifications



**CHATEAU® POSI-TEMP®  
 Single-Handle Tub/Shower Trim Kit**

- Models:** TL181 series - valve trim only  
 (Bulk Packed 12 per carton)  
 TL182 series - shower trim only  
 (Bulk Packed 12 per carton)  
 TL183 series - tub/shower trim  
 (Bulk Packed 12 per carton)

- Valves:** 62300 series  
 2500 series





# MOEN®

## Specifications


### DESCRIPTION

- Metal construction with various finishes identified by suffix

### OPERATION

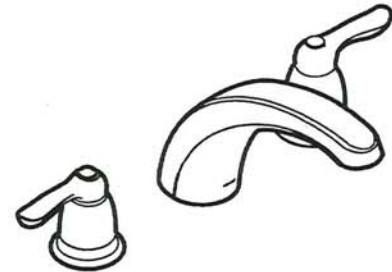
- Lever style handles with hot and cold color indicator
- Rotate hot side handle counterclockwise to open (clockwise to close) and the cold side handle (clockwise to open) and (counterclockwise to close)

### STANDARDS

- Third party certified to: ASME A112.18.1/CSA B-125.1, and all applicable requirements referenced therein
- ADA  for lever handles

### WARRANTY

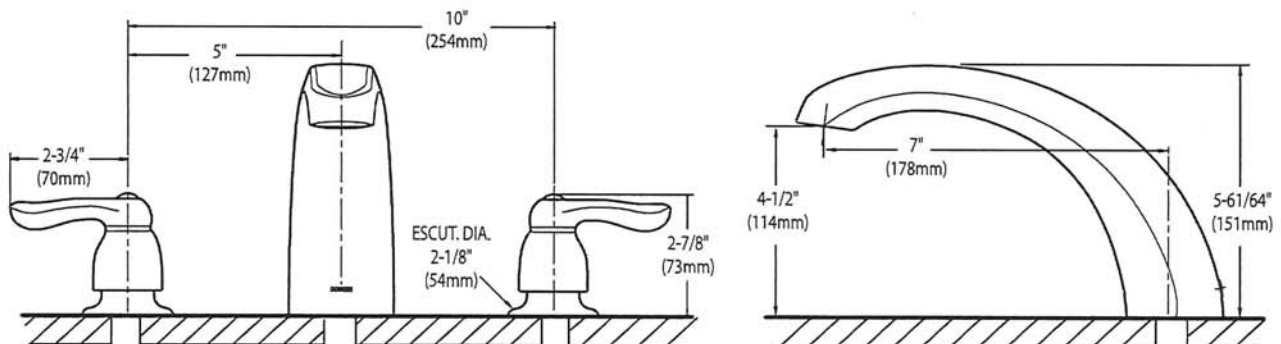
- Lifetime limited warranty against leaks, drips and finish defects to the original homeowner
  - 10 year limited warranty when used in a multi-family installation
  - 5 year limited warranty when used in a commercial installation
- Visit [www.moen.com/support](http://www.moen.com/support) for complete details and limitations



**CHATEAU®**  
Two-Handle Garden Tub Trim

**Models:** T994 series

**Valves:** 4792, 4793, 4794, 4796, 4797, 4798



### CRITICAL DIMENSIONS

(DO NOT SCALE)

## SC(B)514 | ALITO Collection



### Wall Mount

The SC(B)514 makes a statement of strength and power with a bold frame and 550 CFM fan. Features mesh or baffle filters, two bright LED lights and a three-speed panel for total control. It is also fitted with a time-delay OFF feature up to nine minutes.

### Green Features



3 Speed Push Button Control Panel



Long-Lasting LED Lights



Time-Delay OFF Feature



Grease Cup



Model	Colour	Ducting	Filters	Size	CFM
-------	--------	---------	---------	------	-----

SCB51430	Stainless Steel	6"	Baffle	30"	550
SCB51436	Stainless Steel	6"	Baffle	36"	550

### Cyclone Range Hoods Inc.

1361 Huntingwood Drive, Unit 16. Toronto, ON. M1S 3J1. Canada.

Toll Free: 1-888-293-5662 Tel: (416) 293-0933 Fax: (416) 293-4793 Website: [www.CycloneRangeHoods.com](http://www.CycloneRangeHoods.com)

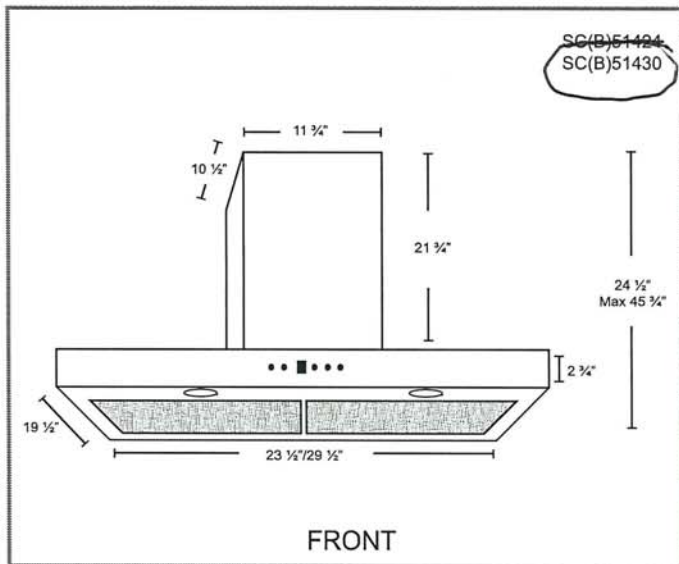
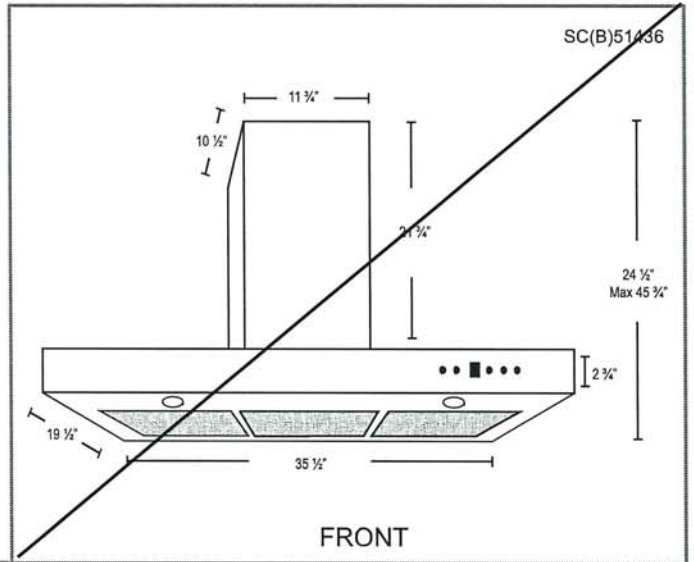
## SC(B)514 | ALITO Collection



30"

### Features

- Wall mount range hood
- 6" round duct adapter
- Non-stick aluminum fan blades
- 3 speed push button control
- 2 LED lights (2 x 1.4W, 4000K)
- Quick release aluminum mesh filters
- Standard chimney fits up to 9 ft. ceiling
- Up to 9 minutes time-delay OFF feature
- Plug-in connection



### Options

- Filters:
  - SCB514 - Quick Release Stainless Steel Baffle Filters
- Chimney Flues:
  - B2.CH16 - short (7'-8' ceilings)
  - B2.CH22 - standard (8'-9' ceilings)
  - B2.CH32 - extended (9'-11' ceilings)
- Widths: 30", 36"

### Specifications

- |  |  |  |
|--|--|--|
| <ul style="list-style-type: none"> <li>• Air Flow Volume: 550 CFM</li> <li>• Electrical Connection: 120 V/60 Hz</li> <li>• Power Consumption: 300 Watts</li> </ul> | <ul style="list-style-type: none"> <li>• Current: 2.5 Amps</li> <li>• Fan Speed: 1599 RPM</li> <li>• Fan Type: Centrifugal Blower</li> </ul> | <ul style="list-style-type: none"> <li>• Finishes: Stainless Steel</li> <li>• Ducting: 6" Round</li> <li>• Noise Level: Min. 2 Sones<br/>Max. 6 Sones</li> </ul> |
|--|--|--|







HOME APPLIANCES

LG REFRIGERATION

## LRYXC2606

26 cu. ft. Counter Depth MAX Refrigerator

26 cu. ft. Counter Depth Capacity

Pocket Handle Design with Welcome Light

3 Built-in Ice maker

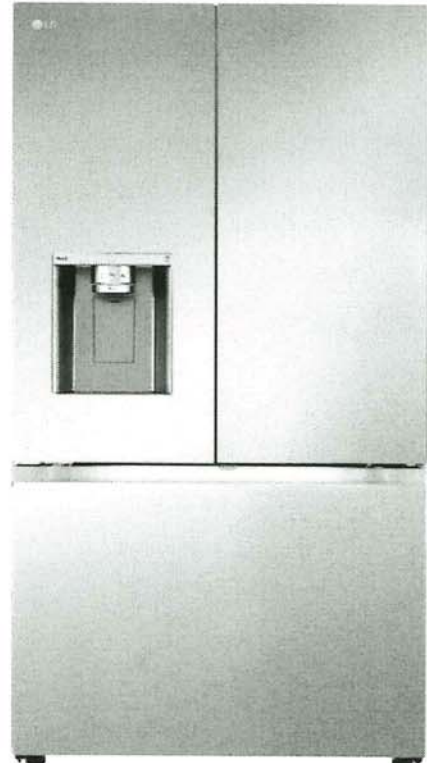
4 Types of Ice

Cool Guard™ with Premium Backlit Lighting

AVAILABLE COLOURS

SMUDGE RESISTANT STAINLESS STEEL

SMUDGE RESISTANT BLACK STAINLESS STEEL



Proactive Smart Alerts to Keep Your Appliances Running Smoothly

### ThinQ care

- Preventative Alerts help you stay a step ahead of potential issues to find proactive solutions before problems arise.
- Avoid preventable repairs and service calls with real-time diagnostics for a hassle-free experience.
- Integrated within LG's ThinQ app—a smart home hub for managing your smart devices and appliances.

CAPACITY	
Refrigerator (cu. ft.)	16.9 cu. ft.
Freezer (cu. ft.)	8.6 cu. ft.
Total Capacity (cu. ft.)	25.5 cu. ft.
ENERGY	
ENERGY STAR® Qualified	Yes
Energy Consumption (kWh/Year)	699
WATER & ICE SYSTEM	
Ice & Water Dispenser	Yes
Water Dispenser UVnano	Yes
In-door Ice maker	Yes (1)
In-door Ice maker Ice Type	Cubed / Crushed
In-door Ice maker Daily Production	3.0 / 3.3 (IcePlus) lbs.
In-door Ice maker Storage Capacity	3.0 lbs.
No. Freezer Ice maker	Yes (2)
Freezer Ice maker Ice Type	Craft & Mini Cubed
Freezer Ice maker Daily Production	3 or 6 ea & 1.5 / 1.7 (IcePlus) lbs.
Freezer Ice maker Storage Capacity	27 ea / 4.0 lbs.
Ice Plus	Yes
Filteration System	1 stage
Filter	LT1000P
Dispenser Light Decoration	Yes
COOLING	
Compressor Type	Smart Inverter
Evaporator	Yes (1)
Multi Air Flow Cooling	Yes
Temperature Sensors	3
Refrigerant	Low GWP, Zero ODP and More Energy Efficient Refrigerant (R600a / 57g / 2.01oz)
CONVENIENCE	
Display Type	Smooth Touch Control / White LED
Temperature Controls	Electronic/Digital
Door Alarm	Yes
Child Lock	Yes
Auto Closing Door Hinge	Yes
Sabbath Mode	Yes
ADA Compliant	Yes

REFRIGERATOR	
No. of Shelves	4 split (3 Fixed + 1 Retractable)
Shelf Construction	Spill Protector/Tempered Glass
Shelf Trim	Metallic Décor
No. of Crisper Bins	2
Pantry (Glide N Serve)	Yes (Temp. Control)
CoolGuard™	Yes
Fresh Air Filter	Yes
Light	Yes
Light (Back lit lighting)	Yes
REFRIGERATOR DOOR	
No. of Bins	4 (Left Door), 4 (Right Door)
Door Shape	Flat
Handle Type	Pocket
Handle Light	Yes
FREEZER	
Door Type	Pull Drawer
Handle Type	Smart Pull™ Handle
Drawers / Shelves	3-Tier Organization
Freezer Light	Upper LED
Lighting	Lower No
SMART TECHNOLOGY	
Smart Diagnosis	Yes
Wi-Fi	Yes
ThinQ®	Yes
MATERIALS AND FINISHES	
Hidden Hinges	Yes
All Available Colors	Smudge Resistant Stainless Steel, Smudge Resistant Black Stainless Steel
Insulation	Low GWP and Zero ODP Blowing Agent

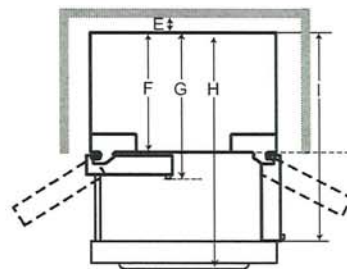
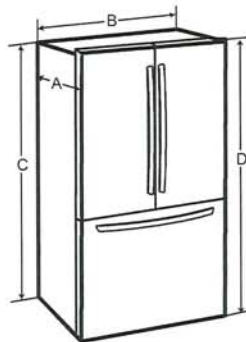
DIMENSIONS/CLEARANCES/WEIGHTS	
Product (W x H x D)	35 3/4" x 70 1/4" x 31 5/8"
Width	35 3/4"
Height (to Top of Hinge)	70 1/4"
Depth (with Handles)	29 1/8"
Width (Door Open 90° without Handle)	40"
Width (Door Open 90° with Handle)	44 7/8"
Width (Door Fully Open without Handle)	56 3/4"
Height (to Top of Case)	68 7/8"
Depth without Door	24 3/4"
Depth without Handles	29 1/8"
Depth (to Hinge Cover)	18 1/4"
Depth (Total with Door Open)	43 5/8"
Depth (Draw Open Fully without Handle)	48 7/8"
Installation Clearance	Sides 1/8", Top 1", Back 2"
Carton Dimensions (WxHxD)	38" x 72" x 31"
Weight (Unit/Carton)	291 lbs. / 313 lbs.
LIMITED WARRANTY	
Parts & Labor	1 Year
Sealed System (Parts Only)	7 Years
Compressor (Parts Only)	10 Years
UPC CODES	
LRYXC2606S (Smudge Resistant Stainless Steel)	195174037690
LRYXC2606D (Smudge Resistant Black Stainless Steel)	195174037706



## 14 INSTALLATION

### Dimensions and Clearances

- Check the dimensions of the appliance and the installation path to ensure there is sufficient room to move the refrigerator through doors or narrow openings.
- If an opening is too narrow to fit the refrigerator through, remove the refrigerator doors. See Removing/Assembling the Doors and Drawers in this manual.
- The installation location chosen for the refrigerator should allow space behind the unit for connections and airflow and space in front to open the doors and drawers.
- Too small of a distance from adjacent items may result in lowered freezing capability and increased electricity consumption charges. Allow at least 24 inches (610 mm) in front of the refrigerator to open the doors, and at least 2 inches (50.8 mm) between the back of the refrigerator and the wall.



-	Dimension/Clearance	LRYDC2606* LRYKC2606* LRYUC2606* LRYXC2606* LRFOC2606*
A	Depth without Handle	29 1/8" (739 mm)
B	Width	35 3/4" (908 mm)
C	Height to Top of Case	68 7/8" (1750 mm)
D	Height to Top of Hinge	70 1/4" (1785 mm)
E	Back Clearance	2" (50 mm)
F	Depth without Door	24 3/4" (628 mm)
G	Depth with Handle	31 5/8" (802 mm)
H	Depth (Total with Freezer Drawer Open)	48 7/8" (1239 mm)
I	Depth (Total with Door Open 90°)	43 5/8" (1106 mm)



**GE Profile 30" Slide-In Convection  
 Gas Range with WiFi Connect  
 Stainless Steel - PCGS930YPFS**

Model      PCGS930YPFS

## Specifications

Height	100.00 cm - 39.37 in
Width	76.00 cm - 29.92 in
Depth	70.00 cm - 27.56 in
Weight	101.61 kg - 224.01 lb
Auto Shut-Off with Override	Yes
Convection Roast	Yes
Audible Preheat Signal	Yes
Auto Convection Conversion	Yes
Automatic Self-Clean Oven Door Lock	Yes
Bake Power Rating	16,000 BTU
Broil Power Rating	16,500 BTU
Burner - Centre	9
Burner - Front Left	21
Burner - Front Right	15
Burner - Rear Left	5
Burner - Rear Right	9
Total Oven Capacity	5.6 cu ft
Cleaning Type	Self Clean with Steam Clean
Colour	Fingerprint Resistant Stainless Steel
Convection	True European Convection
Cooktop Type	Gas



Cooktop Surface	Stainless Steel
Delay Self Clean	Yes
Digital Display	Yes
Drawer Type	Storage
Edge-to-Edge Cooktop	Yes
Proof Mode	Yes
Fuel Type	Gas
Grates	3 Heavy Cast Iron with Centre Griddle
Griddle	Yes
Convection Bake	Yes
In-Oven Broil	Yes
Delay Start	Yes
LP Conversion Kit	Yes
Interior Oven Light	Yes
Sabbath Mode	Yes
Rack Positions	6
Number of Burners	5
Oven Racks	3 Heavy Duty Self Clean
Meat Probe	Yes
Reversible Grill	Yes
Broil	Yes
Style	Single Oven
Width	25" - 30"
Oven Temperature Control	Electronic Control
Format	Slide-In
Volts; Hertz; Amps	120 v / 60 Hz / 15A
Warranty	1 Year Limited Parts & Labour
Wifi Connect	Yes
Accessories	Optional SI Filler Kit JXFILLR1SS
Control Lock Capability	Yes
Burner Type	Sealed
Dishwasher Safe Grates	Yes
Electronic Clock and Timer	Yes
Ignition System	Electronic
Oven Interior Dimensions (W x H x D) (in.)	24 x 19.88 x 20.63
Chef Connect	Yes
Pizza	Yes
No Preheat Air Fry	Yes

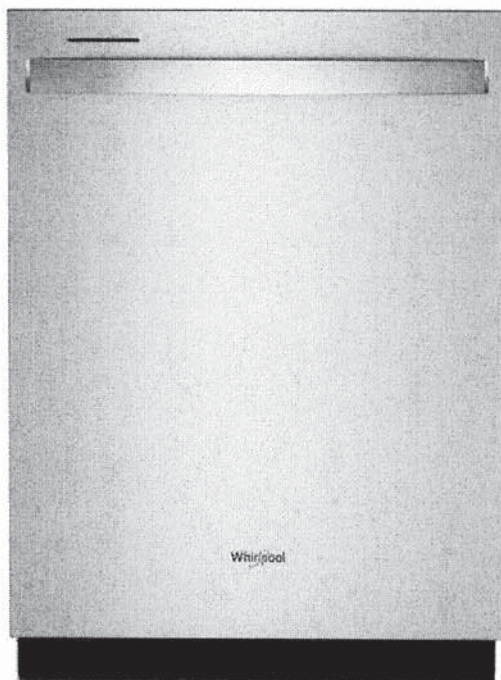


WDT970SAKZ

## Fingerprint Resistant Dishwasher with 3rd Rack & Large Capacity

**Whirlpool®**

<http://www.whirlpool.com>



### Key Features:

- 3rd rack with extra wash action
- Adjustable 2nd Rack
- 3-Piece Silverware Basket
- 3rd Rack Silverware Tray
- Triple Wash Spray
- Fingerprint resistant
- Leak Detection System
- Folding Tines
- ENERGY STAR® Certified
- Soil sensor
- Normal cycle
- Heavy Cycle

### Product Dimensions:

Height: 34 5/8

Width: 23 7/8

Depth: 26 3/4

### Additional Information:

[Owners Manual](#)

[Dimension Guide](#)

[Energy Guide](#)

### Available in:

Fingerprint Resistant Black Stainless

Fingerprint Resistant Stainless Steel

INVESTED  
IN  
AMERICA



©Registered trademark/TM Trademark of Whirlpool, U.S.A. © 2021 Whirlpool Corporation. All Rights Reserved.  
All other trademarks are owned by their respective companies.  
Because Whirlpool Corporation policy includes a continuous commitment to improve our products, we reserve the right to change materials and specifications without notice. We also reserve the right to discontinue or transition products without notice.  
Manufacturer's Suggested Retail Price (MSRP) and Minimum Advertised Price (MAP) provided for reference purposes only. Dealer alone determines advertised and retail prices.  
Created On: Tuesday, August 02, 2022 06:10:40

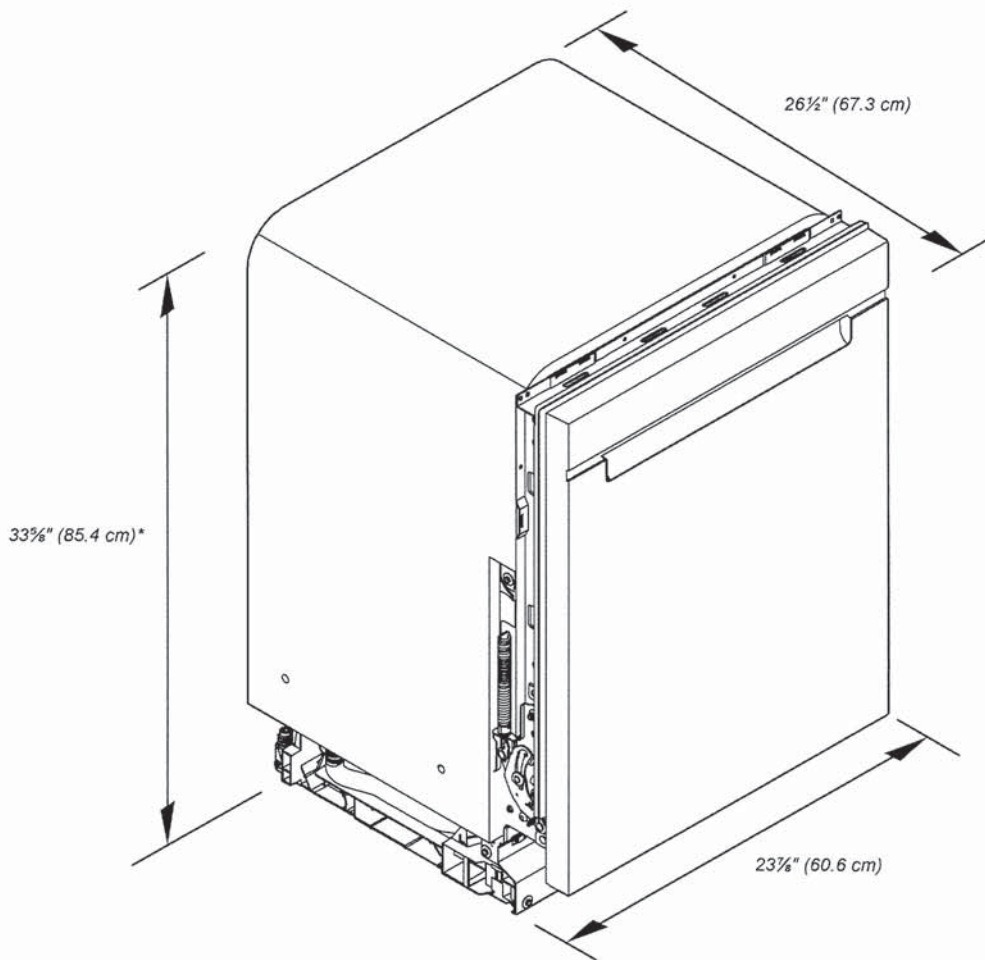


## 24" Dishwasher

### DETAILED PLANNING DIMENSIONS GUIDE

Applies to all model numbers starting with;  
WDT740SAL, WDT750SAK, WDT970SAK, WDTA50SAK, WDTA80SAK,  
WDPA70SAM

#### PRODUCT DIMENSIONS



\*Dishwasher can be raised 1 $\frac{7}{16}$ " (3.7 cm) with feet fully extended.

Because Whirlpool Corporation policy includes a continuous commitment to improve our products, we reserve the right to change materials and specifications without notice.

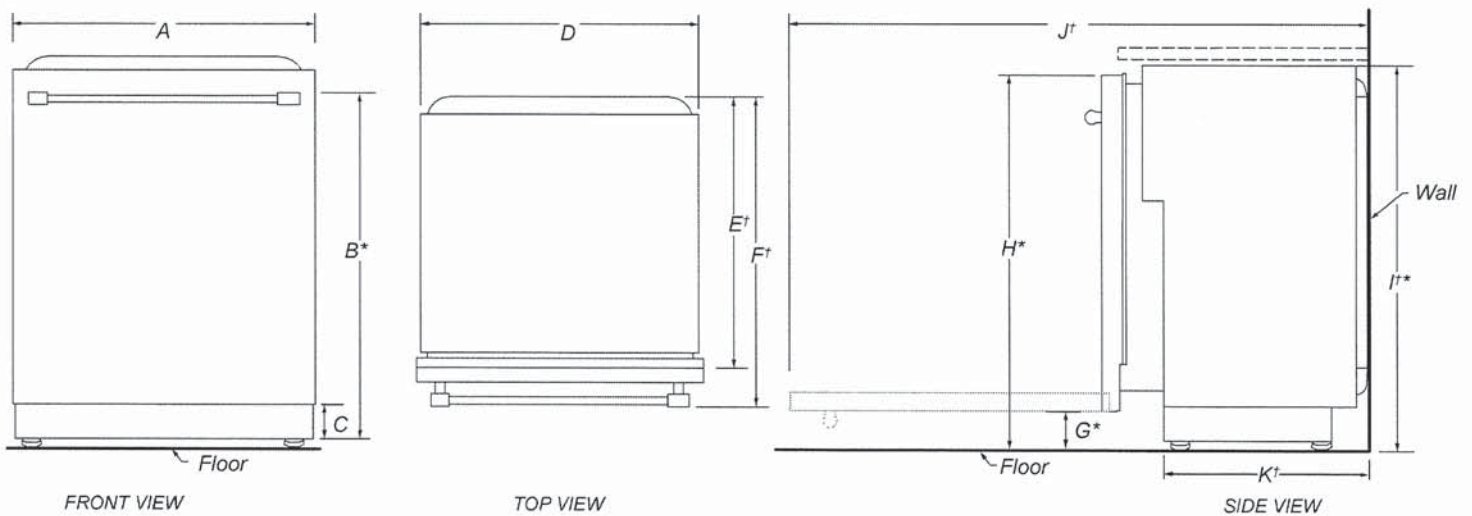
Dimensions are for planning purposes only. For complete details, see Installation Instructions packed with product. Specifications subject to change without notice.

W11438541D

## Whirlpool® 24" Dishwasher

### DETAILED PLANNING DIMENSIONS GUIDE

#### PRODUCT DIMENSIONS (CONTD.)



	DESCRIPTION	DIMENSIONS
A	Width of door	23 <sup>7</sup> / <sub>8</sub> " (60.6 cm)
B*	Height to top of handle	31 <sup>9</sup> / <sub>16</sub> " (80.1 cm)
C	Height of adjustable toe kick	3 <sup>1</sup> / <sub>2</sub> " (8.8 cm) - minimum 4 <sup>1</sup> / <sub>4</sub> " (10.8 cm) - maximum
D	Width of recessed dishwasher	23 <sup>7</sup> / <sub>8</sub> " (60.6 cm)
E†	Depth without door	22 <sup>5</sup> / <sub>8</sub> " ( 57.5 cm)
F†	Depth with Towel Bar Handle	26 <sup>1</sup> / <sub>2</sub> " (67.3 cm)
	Depth with Pocket Handle	24 <sup>1</sup> / <sub>2</sub> " (62.2 cm)
G*	Height to bottom of door (minimum)	3 <sup>5</sup> / <sub>16</sub> " (8.4 cm)
H*	Height to top of door (minimum)	33 <sup>7</sup> / <sub>16</sub> " (84.9 cm)
I*	Height of recessed dishwasher (minimum)	33 <sup>5</sup> / <sub>8</sub> " (85.4 cm)
J†	Depth with door fully open (minimum)	50 <sup>3</sup> / <sub>16</sub> " (127.4 cm)
K†	Depth with toe kick (minimum)	20 <sup>1</sup> / <sub>16</sub> " (52.9 cm)

†Insulation blanket thickness not included, can be crushed up to 1/8" (0.3 cm), or removed along the top perforate section for additional clearance.

\*Dishwasher can be raised 1<sup>3</sup>/<sub>16</sub>" (3.7 cm) with feet fully extended.

Because Whirlpool Corporation policy includes a continuous commitment to improve our products, we reserve the right to change materials and specifications without notice.

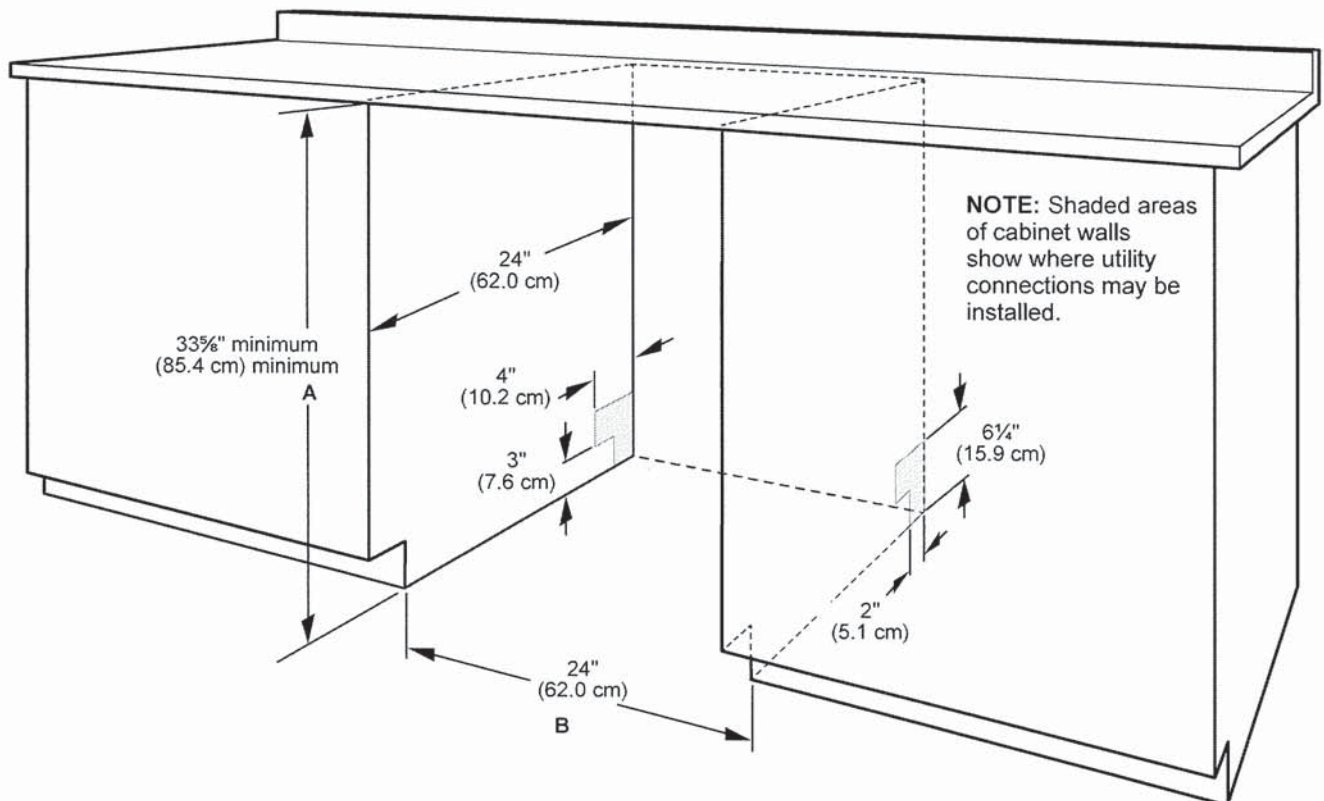
Dimensions are for planning purposes only. For complete details, see Installation Instructions packed with product. Specifications subject to change without notice.



## Whirlpool® 24" Dishwasher DETAILED PLANNING DIMENSIONS GUIDE

### OPENING/CLEARANCE DIMENSIONS

**IMPORTANT:** Check that all surfaces have no protrusions that would prohibit dishwasher installation.



A. Measured from the lowest point on the underside of the countertop. May be reduced to 33 $\frac{5}{8}$ " minimum (85.4 cm) minimum by removing the feet and perforated area of insulation (blanket) on dishwasher.

B. Minimum, measured from narrowest point of opening.

**NOTE:** Corner locations require a 2" (5.1 cm) minimum clearance between the side of the dishwasher door and the wall or cabinet.

Because Whirlpool Corporation policy includes a continuous commitment to improve our products, we reserve the right to change materials and specifications without notice.

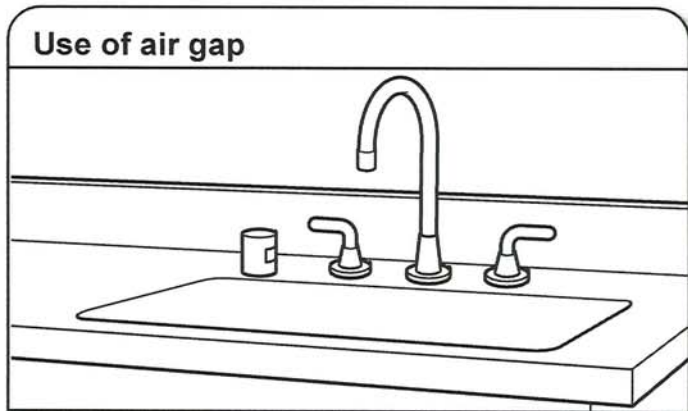
Dimensions are for planning purposes only. For complete details, see Installation Instructions packed with product. Specifications subject to change without notice.

## DRAIN REQUIREMENTS

- A new drain hose is supplied with your dishwasher. If drain hose is not long enough, use a new drain hose with a maximum length of 12 ft (3.7 m) that meets all current AHAM/ IAPMO test standards, is resistant to heat and detergent, and fits the 1" (2.5 cm) drain connector of the dishwasher.

**NOTE:** Do not connect multiple drain hoses together.

- Make sure to connect drain hose to waste tee or disposer inlet above drain trap in house plumbing and 20" (50.8 cm) minimum above the floor. It is recommended that the drain hose either be looped up and securely fastened to the underside of the counter or be connected to an air gap.
- Make sure to use an air gap if the drain hose is connected to house plumbing lower than 20" (50.8 cm) above subfloor or floor.



- If required, the air gap should be installed in accordance with the air gap installation instructions. When you are connecting the air gap, a rubber hose (not provided) will be needed to connect to the waste tee or disposer inlet.
- Use 1/2" (1.3 cm) minimum I.D. drain line fittings.

## WATER SUPPLY REQUIREMENTS

- This dishwasher has a water heating feature and also requires a connection to a hot water supply line.
  - A hot water line with 20 psi to 120 psi (138 kPa to 862 kPa) water pressure can be verified by a licensed plumber.
  - 120°F (49°C) water at dishwasher.
  - 3/8" (0.95 cm) O.D. copper tubing with compression fitting or flexible braided water supply line.
- NOTE:** 1/2" (1.3 cm) minimum plastic tubing is not recommended.
- A 90° elbow with 3/4" (0.95 cm) hose connection with rubber washer.
  - Do not solder within 6" (15.2 cm) of the water inlet valve.
  - If installed in new construction, make sure the house water supply lines have been flushed prior to connecting the dishwasher to remove any debris that may exist in the supply line.

**NOTE:** If replacing an existing dishwasher, it is recommended to install a new water line and drain hose (supplied) with the new dishwasher.

## ELECTRICAL REQUIREMENTS

**⚠ WARNING**

**Electrical Shock Hazard**

**Plug into a grounded 3 prong outlet.**

**Do not remove ground prong.**

**Do not use an adapter.**

**Do not use an extension cord.**

**Failure to follow these instructions can result in death, fire, or electrical shock.**

Be sure that the electrical connection and wire size are adequate and in conformance with the National Electrical Code, ANSI/NFPA 70 - latest edition, and all local codes and ordinances.

A copy of the above code standards can be obtained from:

National Fire Protection Association  
 1 Batterymarch Park  
 Quincy, MA 02169-7471

### You Must Have:

- 120 V, 60 Hz, AC only, 15 A or 20 A, fused electrical supply
- Copper wire only
- A maximum of 2 field wiring supply conductors (12 AWG largest size) plus 1 grounding conductor are permitted in the terminal box.


### We Recommend:

- A time-delay fuse or circuit breaker.

### Circuit Requirements:

- The dishwasher may be installed on the same circuit as a garbage disposal providing that the branch circuit cannot exceed rated circuit load and must comply with all governing codes and regulations such as but not limited to National Electrical Code, ANSI/NFPA 70 - latest edition.
- No electrical connections other than the dishwasher power and ground connections can be made inside of the dishwasher terminal box.

### If connecting dishwasher with a power supply cord:

- Use UL Listed power cord kit marked for use with dishwasher. 

- Plug into a grounded 3 prong outlet. Outlet must meet all local codes and ordinances. 

### If connecting dishwasher with direct wiring:

- Use flexible, armored, or nonmetallic sheathed copper wire with grounding wire that meets the wiring requirements for your home and local codes and ordinances.

- Use a UL Listed/CSA Approved metallic strain relief. 



HOME APPLIANCES

## LG LAUNDRY



### WM5500HVA

5.2 cu. ft. Capacity Smart Front Load Energy Star Washer with TurboWash® 360° and AI DD® Built-In Intelligence

- 5.2 cu. ft. Ultra Large Capacity
- Digital Dial Control with LCD Display & Touch Button Control Panel
- TurboWash® 360° Technology
- AI DD®: AI Fabric and Weight Sensors with Smart Pairing
- LG ThinQ® Technology with ThinQ Care
- Allergiene® Cycle
- Cold Wash Technology
- NeveRust® Stainless Steel Drum
- ENERGY STAR® Certified & ENERGY STAR Most Efficient



AVAILABLE COLOURS



GRAPHITE STEEL



#### Proactive Smart Alerts to Keep Your Appliances Running Smoothly

### ThinQ Care

- Preventative Alerts help you stay a step ahead of potential issues to find proactive solutions before problems arise.
- Avoid preventable repairs and service calls with real-time diagnostics for a hassle-free experience.
- Integrated within LG's ThinQ app—a smart home hub for managing your smart devices and appliances.

#### SUMMARY

Type	Front Load Dryer
Capacity (cu. ft.)	5.2 cu. ft.
Matching Electric Dryer	DLEX5500V
Matching Gas Dryer	DLGX5501V
Color	Graphite Steel (V)

#### APPEARANCE

LCD Display	Yes
Touch Buttons	Yes
Dial-A-Cycle®	Yes

#### ENERGY

ENERGY STAR® Most Efficient	Yes
ENERGY STAR® Certified	Yes
CEE Tier	Tier2
IMEF	2.92
IWF	3.0

#### DRYER PROGRAMS

No. of Programs	25
-----------------	----

Programs (Sensor Dry)	Normal, AI Wash, Bedding, Delicates, Towels, Quick Wash, Heavy Duty, Allergiene®, Perm. Press, Tub Clean, Bright Whites™, Sanitary, Rinse+Spin, Spin Only, Hand/Wool, Active Wear, Swimwear, Kids Wear, Jeans, Dresses, Color Care, Sweat Stains, Small Load, Large Load, X Large Load
-----------------------	--

No. of Options	15
----------------	----

Options	TurboWash®, Steam, Fresh Care, Pre-wash, Remote Start, Delay Wash, Wi-Fi, Add Item, Extra Rinse, Control Lock, Drum Light, Cold Wash, Signal, Cycle List Edit, Cycle Optimization
---------	---

#### WASH DETAILS

No. of Wash/Rinse Temps	5
Wash/Rinse Temps	Ex. Hot, Hot, Warm, Cold, Tap Cold

No. of Spin Speeds	5
Spin Speeds	Ex. High, High, Medium, Low, No Spin
Max RPM	1300
Water Levels	Load Sensing
No. of Soil Levels	5

#### FABRIC CARE FEATURES

AI DD®	Yes
TurboWash® 360° Technology	Yes
Steam Technology	Yes
Allergiene® Cycle	Yes
Sanitary Cycle	Yes
Cold Wash Option	Yes

#### CONVENIENCE FEATURES

Vibration Sensing (Cabinet Vibration Sensor)	Yes
TrueBalance® Anti-Vibration System	Yes

4 Tray Dispenser	Prewash, Main Wash (with liquid detergent cup), Bleach, FabricSoftener
------------------	--

End of Cycle Signal	Yes
LoadSense	Yes
Control Lock	Yes
Auto Suds Removal	Yes
Leveling Legs	4 Adjustable Legs
Drum Light	Yes

#### ThinQ® TECHNOLOGY

Smart Diagnosis	Yes
Wi-Fi	Yes
Energy Monitoring	Yes
Tub Clean Coach	Yes

#### MOTOR AND AGITATOR

Motor Type	Inverter Direct Drive Motor
Axis	Horizontal

#### MATERIALS AND FINISHES

NeveRust® Stainless Steel Drum	Yes
Cabinet	Painted Steel (One unit)
Control Panel	Painted Steel
Top Plate	Painted Steel
Door / Rim	Glass / STS Silver
Door Cover	Tempered Glass Door
All Available Colors	Graphite Steel (V)

#### CERTIFICATION

Asthma Canada	Yes
---------------	-----

#### POWER SOURCE

Ratings	UL Listed
Electrical Requirements	120V, 10 Amps
Type	Electric

#### OPTIONS/ACCESSORIES

Pedestal	WDP6V
Pedestal (WxHxD)	27" x 13 5/8" x 25 3/8" (43 7/8" D with door open)
LG Sidekick™ Pedestal Washer	WD300CV
LG Sidekick™ Pedestal Washer (WxHxD)	27" x 14 1/8" x 30 3/4" (50 1/2" with drawer open)
Stacking Kit	KSTK4

#### DIMENSIONS

Product (WxHxD)	27" x 39" x 30 1/4"
Depth with Door Open	55"
Carton (WxHxD)	29 1/2" x 42 1/8" x 31 1/2"
Weight (Product/Carton)	200.8 / 214.4 lbs.

#### LIMITED WARRANTY

Parts & Labor	1 Year
Drum	3 Years
Direct Drive Motor	10 Years

#### UPC CODES

WM5500HVA (Graphite Steel)	195174052976
----------------------------	--------------



## 10 INSTALLATION

### ⚠ WARNING

- Certain internal parts are intentionally not grounded and may present a risk of electric shock only during servicing. Service personnel- Do not contact the following parts while the appliance is energized: pump, valve, motor, control board.

### Tools Needed



- ① Pliers
- ② Flat-Blade Screwdriver
- ③ Level

### Choosing the Proper Location

Check the following requirements for the install location before installing the washer.

- Allow for sufficient space between the walls and the washer for installation.
- Make sure that the floor is clean, dry and free of dust, dirt, water and oil so the leveling feet cannot slide easily. Leveling feet that can move or slide on the floor can contribute to excess vibration and noise.
- If the floor has too much flex, reinforce it to make it more rigid. If the floor is not solid, it may cause severe vibration and noise.
- If a drain pan must be used, take extra care to follow the instructions provided with the drain pan and make sure the leveling feet are adjusted for firm and even contact with the pan. Use of drain pans and failure to properly level the washer may result in increased vibration and noise during operation.

### Power Outlet

- The power outlet must be within **60 inches (1.5 m)** of either side of the washer.
- Position the washer so that the outlet and plug are easily accessible.
- Do not overload the outlet with more than one appliance.
- The outlet must be grounded in accordance with current electrical wiring codes and regulations.
- Use a time-delay fuse or circuit breaker.

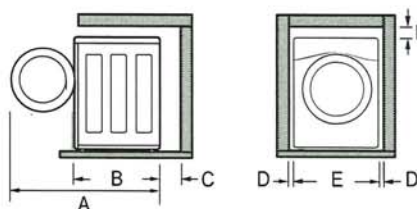
- It is the personal responsibility and obligation of the washer owner to have a proper outlet installed by a qualified electrician.

### Flooring

- To minimize noise and vibration, install the washer on a level, solidly constructed floor capable of supporting the washer without flexing or bouncing.
- The washer must be installed on firm flooring to minimize vibration during the spin cycle. Concrete flooring is best, but a wood floor is sufficient, provided it is built to FHA standards.
- The floor under the washer must not slope more than 1 inch (2.5 cm) from front to back or side to side.
- Installing on carpeting and soft tile surfaces is not recommended.
- Never install the washer on a platform or weakly supported structure.

### Floor Installation

To ensure sufficient clearance for water inlet hoses, drain hose and airflow, allow minimum clearances of at least **1 inch (2.5 cm)** at the sides and **4 inches (10 cm)** behind the washer. Be sure to allow for wall, door, or floor moldings that may increase the required clearances.

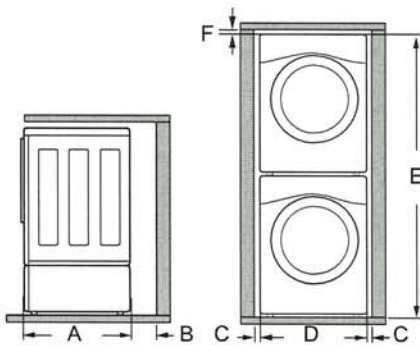


Dimensions and Clearances		
Model	WM5500H*A	WM6500H*A
A	55" (139.6 cm)	57 3/4" (146.6 cm)
B	30 1/4" (77 cm)	33 1/8" (84 cm)
C	4" (10 cm)	

Dimensions and Clearances		
Model	WM5500H*A	WM6500H*A
D	1" (2.5 cm)	
E	27" (70 cm)	
F	1/4" (0.5 cm)	

### Stacking or Pedestal Installation

The washer can be stacked under a dryer or on top of a pedestal or pedestal washer.



Dimensions and Clearances		
Model	WM5500H*A	WM6500H*A
A	30 1/4" (77 cm)	33 1/8" (84 cm)
B	4" (10 cm)	
C	1" (2.5 cm)	
D	27" (70 cm)	
E	77 1/2" (196.8 cm)	
F	1/4" (0.5 cm)	

### NOTE

- Refer to the instructions packaged with the optional pedestal kit before stacking appliance on pedestal.
- Do not use a drain pan with a pedestal or pedestal washer installation as it can block the drawer. Using a drain pan may result in increased vibration and noise during operation.

## Unpacking and Removing Shipping Material

Remove all shipping materials from the washer for proper operation and inspect it for shipping damage.

### CAUTION

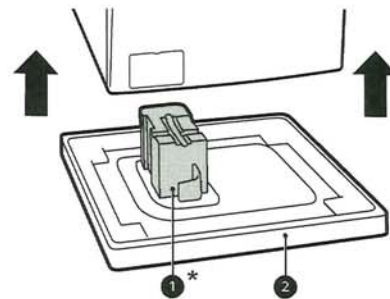
- Failure to remove shipping materials can cause excessive noise and vibration.

## Unpacking Shipping Material

\*Some models do not ship with drum support.

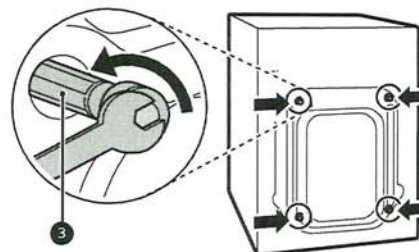
Lift the washer off the foam base.

- After removing the carton and shipping material, lift the washer off the foam base.
- Make sure the plastic drum support ①\* comes off with the base and is not stuck to the bottom of the washer.
- If you must lay the washer down to remove the carton base ②, always protect the side of the washer and lay it carefully on its side. Do not lay the washer on its front or back.



## Removing Shipping Material

- Remove the bolt assemblies.
  - Starting with the bottom two shipping bolts ③, use the included wrench to fully loosen all 4 shipping bolts by turning them counterclockwise.
  - Remove the bolt assemblies (bolts and retainers) by wiggling them slightly while pulling them out.

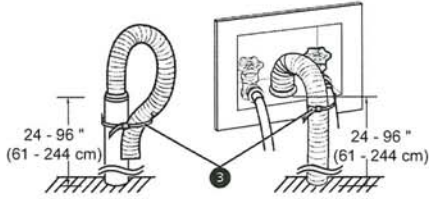


- Install the hole caps.
  - Locate the hole caps ④ included in the accessory pack or attached to the back of



## 14 INSTALLATION

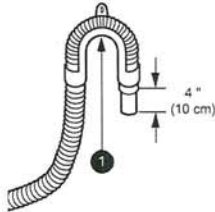
hoses with the provided tie strap **3** (ribbed side on inside).



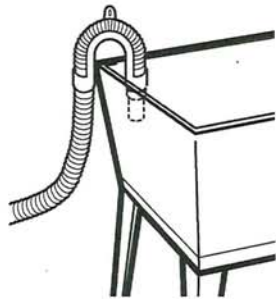
### Using the Laundry Tub to Drain

- 1** Clip the end of the hose into the elbow bracket.

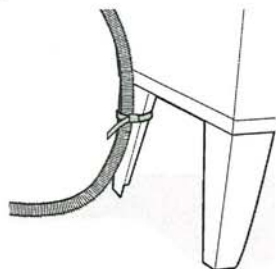
  - Connect the elbow bracket **1** within **4 inches (10 cm)** of the end of the drain hose. If the drain hose is extended more than **4 inches (10 cm)** beyond the end of the elbow bracket, mold or microorganisms could spread to the inside of the washer.



- 2** Hang the end of the drain hose over the side of the laundry tub.



- 3** Use the provided tie strap to secure the drain hose in place.



### Leveling the Washer

The drum of the washer spins at very high speeds. To minimize vibration, noise, and unwanted movement, the floor must be a solid, level surface.

#### CAUTION

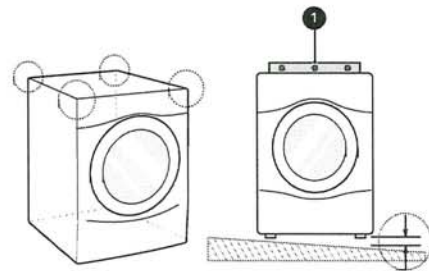
- Using the washer without leveling it may cause excess vibration and noise, leading to a washer malfunction.
- Adjust the leveling feet only as far as necessary to level the washer. Extending the leveling feet more than necessary can cause the washer to vibrate.

#### NOTE

- Before installing the washer, make sure that the floor is clean, dry and free of dust, dirt, water and oil so the washer feet cannot slide easily. Feet that move or slide on the floor can contribute to excessive vibration and noise.

### How to Level the Washer

- 1** Position the washer in its final location.
  - Take special care not to pinch, strain, or crush the water and drain hoses. If you have a carpenter's level **1**, you can use it to check that the washer is level. The slope beneath the washer should not exceed **1 inch**, and all 4 leveling feet must rest firmly on the floor.







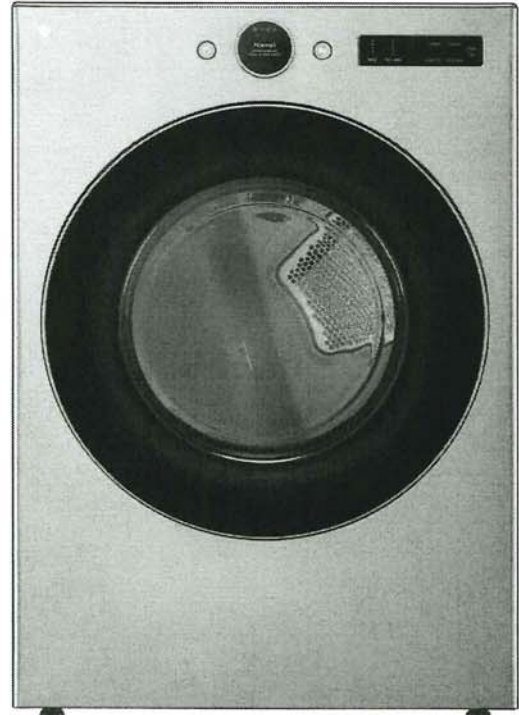
HOME APPLIANCES

## LG LAUNDRY

### DLEX5500 / DLGX5501

7.4 cu. ft. Capacity Energy Star Smart Front Load Dryer with AI Sensor Dry & TurboSteam®

- 7.4 cu. ft. Ultra Large Capacity
- Digital Dial Control with LCD Display & Touch Button Control Panel
- AI Sensor Dry with Smart Pairing
- TurboSteam®, SteamFresh®, and SteamSanitary® Technology
- Wrinkle Care Option
- LG ThinQ® Technology with ThinQ Care
- FlowSense® Duct Clogging Indicator
- Tempered Glass Door (Reversible)
- NeveRust® Stainless Steel Drum
- ENERGY STAR® Certified



AVAILABLE COLOURS



GRAPHITE STEEL



#### Proactive Smart Alerts to Keep Your Appliances Running Smoothly

### ThinQ Care

- Preventative Alerts help you stay a step ahead of potential issues to find proactive solutions before problems arise.
- Avoid preventable repairs and service calls with real-time diagnostics for a hassle-free experience.
- Integrated within LG's ThinQ app—a smart home hub for managing your smart devices and appliances.

SUMMARY	
Type	Front Load Dryer
Vent Type	Vented
Dryer Type	Elec: DLEX5500V Gas: DLGX5501V
Capacity	7.4 cu. ft.
Matching Washer	WM5500HVA
Sensor Dry	Yes
Steam	Yes
Color	Graphite Steel (V)
APPEARANCE	
LCD Display	Yes
Touch Buttons	Yes
Dial-A-Cycle®	Yes
DRYER PROGRAMS	
No. of Programs	23
Programs (Sensor Dry)	Normal, AI Dry, Bedding, Delicates, Towels, Quick Dry, Timed Dry, Power Dry, Perm. Press, SteamFresh™, Heavy Duty, Air Dry, Steam Sanitary™, Super Dry, Active Wear, Jeans, Blanket Refresh, Low Temp Dry, Overnight Dry, Easy Ironing, Small Load, Large Load Dry, X Large Load Dry
No. of Options	11
Options	Cycle Optimization, Damp Dry Signal, Wrinkle Care, Control Lock, Wi-Fi, Energy Saver, TurboSteam®, Reduce Static, Remote Start, Drum Light, Signal, Cycle Edit List
Temperature Settings	High, Med. High, Medium, Low, Ultra Low
Drying Levels	Very Dry, More Dry, Normal Dry, Less Dry, Damp Dry
Manual Dry Times	10 min - 100 min (10 min increments)

FABRIC CARE FEATURES	
AI Sensor Dry	Yes
Sensor Dry	Yes
Precise Temperature Control with Variable Heater	Yes
Steam	TurboSteam®
CONVENIENCE FEATURES	
3 Minute Installation Check	Yes
End of Cycle Signal	Yes
Drum Light (Door Open)	Yes
Reversible Door	Yes
FlowSense® Duct Clogging Indicator	Yes
Wrinkle Care Option	Yes
Control Lock	Yes
Venting Option	Electric: 4 Way Venting / Gas: 3 Way Venting
4 Adjustable Legs	Yes
Remaining Time Display / Status Indicator(s)	Yes
ThinQ® TECHNOLOGY	
Smart Diagnosis	Yes
Wi-Fi	Yes
Remote Start and Cycle Monitor	Yes
Energy Monitoring	Yes
ENERGY	
ENERGY STAR® Certified	Yes
CEF	Electric: 3.94 / Gas: 3.49
MATERIALS AND FINISHES	
NeveRust® Stainless Steel Drum	Yes
Cabinet	Painted Steel
Door	Tempered Glass Door
All Available Colors	Graphite Steel (V)

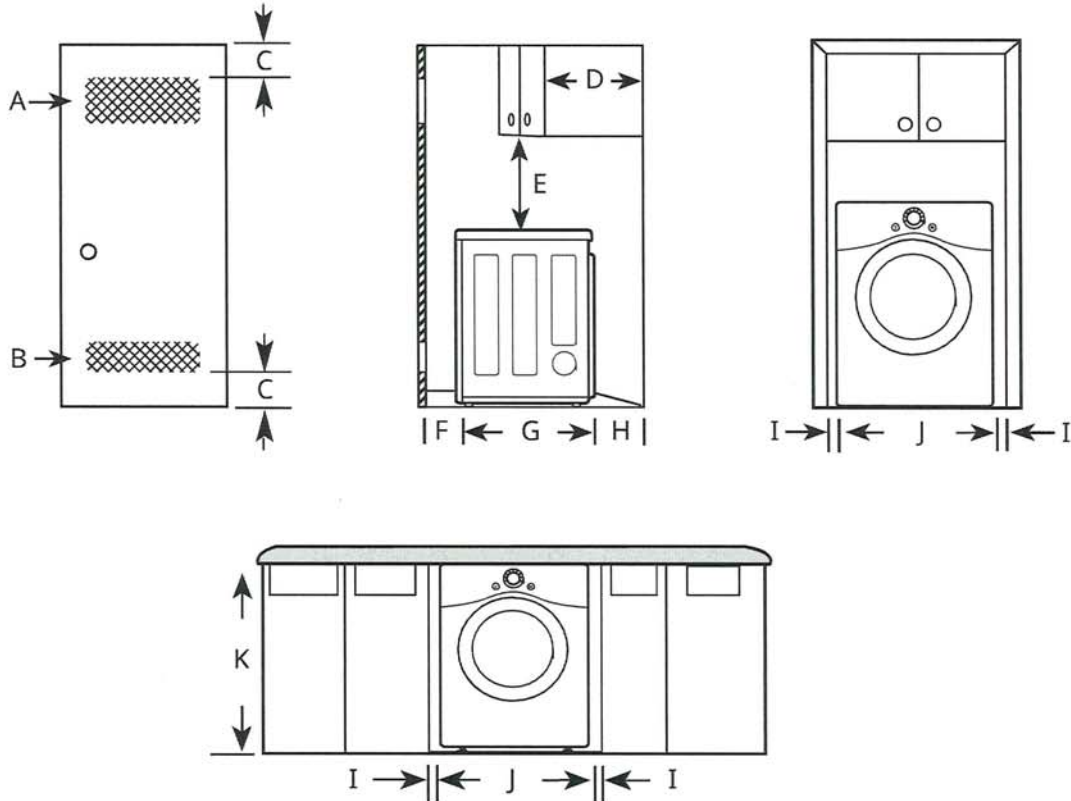
POWER SOURCE	
Ratings	CSA Listed
Electrical Requirements	Elec: 120/240V, 60Hz, 26A Gas: 120V, 60Hz, 11.5A
Type	Electric, Gas
BTU Rating	Gas: 20,000
OPTIONS	
LP Conversion Kit	383EEL3002D
Side Venting Kit	3911EZ9131X
Pedestal	WDP6V
Pedestal (WxHxD)	27" x 13 5/8" x 28" (43 7/8" D with door open)
DIMENSIONS	
Product (W x H x D)	27" x 39" x 29 3/4"
Depth with Door Open	51 3/8"
Carton (W x H x D)	28 7/8" x 46 1/2" x 31 3/8"
Product Weight (lbs.)	Electric: 124.3 lbs. / Gas: 136.0 lbs.
Carton Weight (lbs.)	Electric: 136.5 lbs. / Gas: 146.6 lbs.
LIMITED WARRANTY	
Parts & Labor	1 Year
Drum	3 Years
UPC CODES	
DLEX5500V (Graphite Steel)	195174048580
DLGX5501V (Graphite Steel)	195174048894

## Dimensions and Clearances

The following clearances are recommended for the appliance.

- Additional clearances should be considered for ease of installation and servicing.
- Additional clearances should be considered on all sides of the dryer to reduce noise transfer.

## Installation Spacing for Recessed Area or Closet Installation



-	Description	Dimension/Clearance
A	Upper Ventilation Opening	≥ 48 sq. in. (310 cm <sup>2</sup> )
B	Lower Ventilation Opening	≥ 24 sq. in. (155 cm <sup>2</sup> )
C	Distance to Ventilation Opening	≥ 3" (76 mm)
D	Overhead Cabinet Depth	≤ 14" (356 mm)
E	Distance to the Overhead Cabinet/Shelf	≥ 18" (457 mm)
F	Front Clearance	1" (25 mm)
G	Depth	29 3/4" (756 mm)
H	Back Clearance	≥ 5" (127 mm)
I	Side Clearance	≥ 1" (25 mm)
J	Width	27" (686 mm)
K	Height of Cabinet Opening	39" (989 mm)

## 14 INSTALLATION

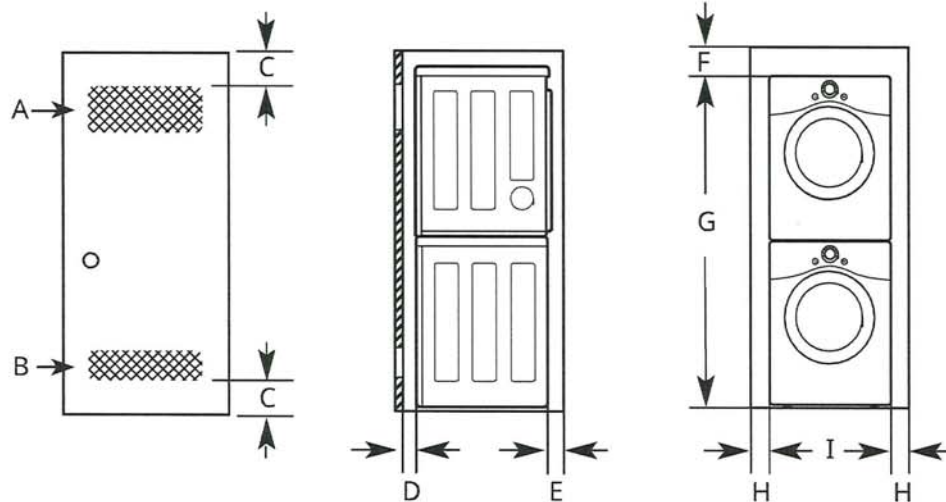
### Closet Ventilation Requirements

Closets with doors must have both an upper and lower vent to prevent heat and moisture buildup in the closet. One upper vent opening with a minimum opening of 48 sq. in. (310 cm<sup>2</sup>) must be installed no lower than 6 feet above the floor. One lower vent opening with a minimum opening of 24 sq. in. (155 cm<sup>2</sup>) must be installed no more than one foot above the floor. Install vent grilles in the door or cut down the door at the top and bottom to form openings. Louvered doors with equivalent ventilation openings are also acceptable.

### NOTE

- There should be at least a little space around the dryer (or any other appliance) to eliminate the transfer of vibration from one appliance to another. If there is enough vibration, it could cause appliances to make noise or come into contact, causing paint damage and further increasing noise.
- No other fuel-burning appliance can be installed in the same closet as a dryer.

### Installation Spacing for Recessed Area or Closet, with Stacked Washer and Dryer

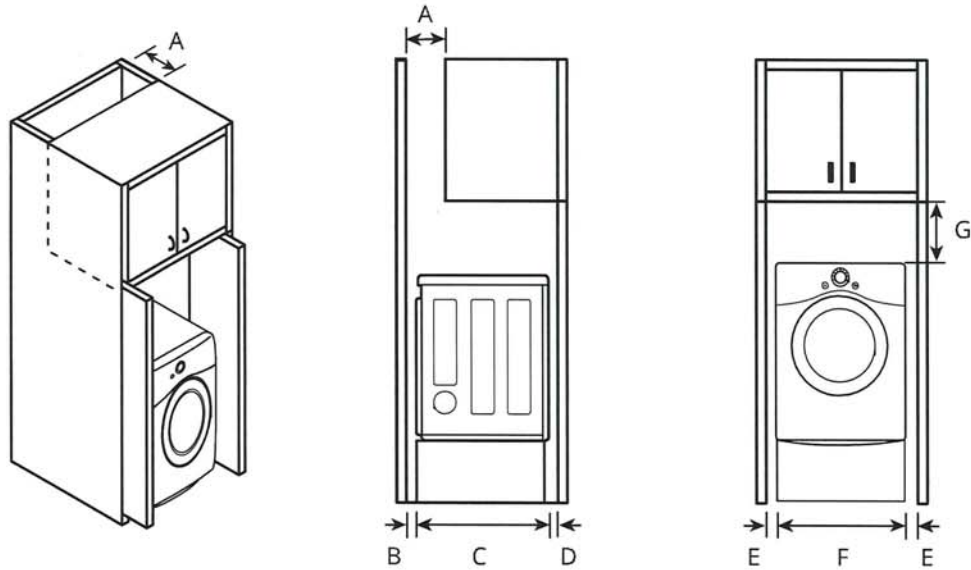


-	Description	Dimension/Clearance
A	Upper Ventilation Opening	≥ 48 sq. in. (310 cm <sup>2</sup> )
B	Lower Ventilation Opening	≥ 24 sq. in. (155 cm <sup>2</sup> )
C	Distance to Ventilation Opening	≥ 3" (76 mm)
D	Front Clearance	≥ 1" (25 mm)
E	Back Clearance	≥ 5 1/2" (140 mm)
F	Top Clearance to the Ceiling	≥ 6" (152 mm)
G	Height to the Top of Stacked Appliances <sup>†</sup>	78" (1980 mm)
H	Side Clearance	≥ 1" (25 mm)
I	Width <sup>†</sup>	27" (686 mm)

<sup>†</sup> Differs depending on the washer dimensions.



### Installation Spacing for Cabinet



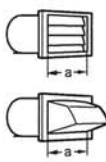

ENGLISH

For cabinet installation with a door, minimum ventilation openings in the top of the cabinet are required.

-	Description	Dimension/Clearance
A	Depth of Ventilation Opening	≥ 7" (178 mm)
B	Back Clearance	≥ 5" (127 mm)
C	Depth	29 3/4" (756 mm)
D	Front Clearance	≥ 1" (25mm)
E	Side Clearance	≥ 1" (25 mm)
F	Width	27" (686 mm)
G	Clearance to Top of Cabinet	≥ 9" (229 mm)

## 20 INSTALLATION

### Ductwork

Wall Cap Type	No. of 90° Elbows	Maximum length of 4-inch diameter rigid metal duct
 a: 4" (10.2 cm)	0	65 ft. (19.8 m)
	1	55 ft. (16.8 m)
	2	47 ft. (14.3 m)
	3	36 ft. (11.0 m)
	4	28 ft. (8.5 m)
 b: 2.5" (6.35 cm)	0	55 ft. (16.8 m)
	1	47 ft. (14.3 m)
	2	41 ft. (12.5 m)
	3	30 ft. (9.1 m)
	4	22 ft. (6.7 m)

#### NOTE

- Deduct 6 ft. (1.8 m) for each additional elbow. Do not use more than four 90° elbows.
- In Canada, only those foil-type flexible ducts, if any, specifically identified for use with the appliance by the manufacturer should be used. In the United States, only those foil-type flexible ducts, if any, specifically identified for use with the appliance by the manufacturer and that comply with the Outline for Clothes Dryer Transition Duct, Subject 2158A, should be used.

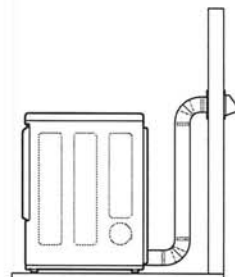
### Routing and Connecting Ductwork

Follow the guidelines below to maximize drying performance and reduce lint buildup and condensation in the ductwork. Ductwork and fittings are NOT included and must be purchased separately.

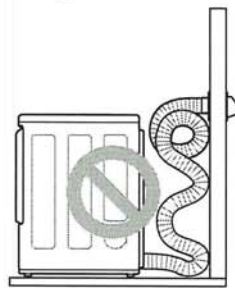
- Use 4-inch (10.2 cm) diameter rigid, semi-rigid or flexible metal ductwork.
- The exhaust duct run should be as short as possible.
- Use as few elbow joints as possible.
- The male end of each section of exhaust duct must point away from the dryer.
- Use duct tape on all duct joints.
- Insulate ductwork that runs through unheated areas in order to reduce condensation and lint buildup on duct surfaces.

- Incorrect or inadequate exhaust systems are not covered by the dryer warranty. Dryer failures or service required because of such exhaust systems will not be covered by the dryer warranty.

#### Correct Venting



#### Incorrect Venting



### Connecting Gas Dryers

#### ⚠ WARNING

- To reduce the risk of fire or explosion, electric shock, property damage, injury to persons, or death when using this appliance, follow requirements including the following.

### Electrical Requirements for Gas Models

#### ⚠ WARNING

- This dryer is equipped with a three-prong grounding plug for protection against shock hazard which should be plugged directly into a properly grounded three-prong receptacle. Do not cut or remove the grounding prong from this plug.
- Do not, under any circumstances, cut or remove the third (ground) prong from the power cord.
- For personal safety, this dryer must be properly grounded.

RJ