

Sales Selection Sheet  
Checklist

1 of 108

LOT 7169 Model: 39-3123 B The Pinehurst

PURCHASERS: INVENTORY HOME7169/

VENDOR: Heathwood Homes (Whitby) Limited

\*\*WOB V2 "SPACES" LAYOUT TO INCLUDE KITCHENETTE; ADDITIONAL LAUNDRY AND MODIFIED BATHROOM  
WAFFLE CEILING IN GREAT ROOM

- WOB
- DECK

UPGRADED / MODIFIED ELEVATION

- CORNER UPGRADE
- REAR UPGRADE

CEILING UPGRADE - SMOOTH

- MAIN FLOOR (STD)
- SECOND FLOOR WITH RESILIENCE CHANEL
- LOWER LEVEL

ADDITIONAL ROUGH-INS

- 200 AMP SERVICE (STD)
- WET BAR ROUGH-IN
- HUMIDIFIER (STD)
- AIR CONDITIONING (STD)

GAS ROUGH-IN

- STOVE
- DRYER
- BBQ
- ADDITIONAL GAS FIREPLACE

KITCHEN HOODFAN VENTING SIZE

- 6 IN ROUND DUCT (STD WITH APPLIANCE PACKAGE)
- 7 IN ROUND DUCT

FULL LOWER LEVEL STAIRS	All Oak
UPPER LOWER LEVEL STAIRS	N/A
LOWER LOWER LEVEL STAIRS	N/A
MAIN STAIRS	All Oak

April 1/24 UNSELD MODEL HOME  
Date Purchaser:

APRIL 1/24 MARILYN ROSEN  
Date Decor Consultant:

Date Purchaser:

~~DATE~~  
-04-01 2024 

Locked Date:

Date Approved Heathwood Homes (Whitby) Limited

**Customer Colours**

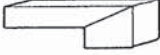
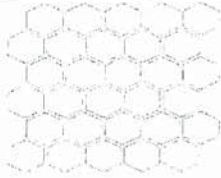
INVENTORY HOME7169/  
 Project: Country Lane  
 Unit: 7169, Phase: 7  
 Model: 39-3123 B The Pinehurst

Created: 7/3/2024 15:15:48

Locked:

Closed:

**Kitchen**

Cabinet Colour/Style	6844	Classic Plus-LANCASTER-MACADEMIA-PAINT MDF ***UPG***
Island Cabinet Colour/Style	6844	Classic Plus-LANCASTER-MACADEMIA-PAINT MDF ***UPG***
Cabinet Hardware	9149	12817 MB BLACK-HARDWARE ***2***
Countertop	7887	Group 6-Quartz- Caesarstone-VANILLA NOIR # 5100-3/4 inch with built-up edge ***6***
Island Countertop	7887	Group 6-Quartz- Caesarstone-VANILLA NOIR # 5100-3/4 inch with built-up edge ***6***
Countertop Edge	4005	DOUBLE MITRE 1 1/2 INCH ***UPG*** 
Crumb Vac Colour	9482	Vacuum-Crumb Vac (Dust Pan)-White
Sink	9557	BLANCO SILGRANIT PRECIS U SUPER SINGLE 400890 ANTHRACITE (min cabinet 36 in) PG 48
HoodFan	9068	KVWB606HBS KITCHEN AID 36 BLACK STAINLESS STEEL CHIMNEY HOOD PG 77-80
Opt. Backsplash	8106	OD.ON.TGR.02.HEX.MT-ONTARIO HEXAGON MATTE-TENDER GREY ***UPG 2***
Opt. Backsplash Grout	9837	Grout-Warm Grey #5093 ***UPG***
Opt. Backsplash Tile Pattern	3120	VERTICAL HEX ***STD*** 
Flooring	9009	Red Oak PEARL-Vintage Red Oak Solid Sculpted Character PEARL-HILLSIDE-3/4 inch X 5 inch ***9***
Floor Tile Grout	1111	N/A *****
Floor Tile Pattern	1111	N/A *****

- Purchasers have been advised: standard fridge opening is a minimum 37 3/8 x 73 3/8 inches. Ice Waterline Rough-In is included.

- Standard stove opening is 30 inches and standard dishwasher opening is 24 inches. Any gas stove will require backsplash or stainless steel backing to avoid fire hazards.

- Purchasers acknowledge: Heathwood Homes and its contractors will not be responsible for any kitchen cabinet changes due to appliances dimension changes after sign-off.

Comment OPTIONAL PANTRY AND DESK

**Foyer**

Flooring	9427	OV.ET.DGR.1224.PL-Eterna Polished-Dark Grey-12 x 24 UPG 5 ***UPG*** S 9
Floor Tile Grout	9840	Grout-Pearl Gray #5019 ***STD***
Floor Tile Pattern	3050	SIDE TO SIDE ***STD***

**Customer Colours**

INVENTORY HOME7169/  
 Project: Country Lane  
 Unit: 7169, Phase: 7  
 Model: 39-3123 B The Pinehurst

Created: 7/3/2024 15:15:48

Locked:

Closed:




Comment

**Powder Room**

- Flooring 9427 OV.ET.DGR.1224.PL-Eterna Polished-Dark Grey-12 x 24 UPG 5 \*\*\*UPG\*\*\* S 9
- Floor Tile Grout 9840 Grout-Pearl Gray #5019 \*\*\*STD\*\*\*
- Floor Tile Pattern 3050 SIDE TO SIDE \*\*\*STD\*\*\*


Plumbing Fixture (Colour) 1737 Plumbing Fixtures-WHITE \*\*\*STD\*\*\*

Comment

**Mud Room**

- Floor Tile 9427 OV.ET.DGR.1224.PL-Eterna Polished-Dark Grey-12 x 24 UPG 5 \*\*\*UPG\*\*\* S 9
- Floor Tile Grout 9840 Grout-Pearl Gray #5019 \*\*\*STD\*\*\*
- Floor Tile Pattern 3050 SIDE TO SIDE \*\*\*STD\*\*\*


Comment

**Dining Room**

Flooring 9009 Red Oak PEARL-Vintage Red Oak Solid Sculpted Character PEARL-HILLSIDE-3/4 inch X 5 inch \*\*\*1\*\*\*

Comment

**Great Room**

Flooring 9009 Red Oak PEARL-Vintage Red Oak Solid Sculpted Character PEARL-HILLSIDE-3/4 inch X 5 inch \*\*\*1\*\*\*

Comment

**Great Room Fireplace**

- Type 8869 Majestic MERC32 \*\*\*STD\*\*\*
- Mantle 7735 NF 8-Paint Grade Mantle-WHITE \*\*\*Upg\*\*\*

**Customer Colours**

INVENTORY HOME7169/  
 Project: Country Lane  
 Unit: 7169, Phase: 7  
 Model: 39-3123 B The Pinehurst

Created: 7/3/2024 15:15:48

Locked:

Closed:



Surround (STD) 8878 3 pc-4 inch Granite Surround-Nero Assoluto \*\*\*Upg\*\*\*

- Purchasers have been advised: heat from the FP can damage TV above a FP and items placed on mantle.

- Heathwood and its contractors will not be liable for any damage on items placed and / or installed above a FP after closing.

Comment

**Main Hall**

Flooring 9009 Red Oak PEARL-Vintage Red Oak Solid Sculpted Character PEARL-HILLSIDE-3/4 inch X 5 inch \*\*\*1\*\*\*

Comment

**Parlour**

Flooring 9009 Red Oak PEARL-Vintage Red Oak Solid Sculpted Character PEARL-HILLSIDE-3/4 inch X 5 inch \*\*\*1\*\*\*

Comment

**Den**

Flooring 9009 Red Oak PEARL-Vintage Red Oak Solid Sculpted Character PEARL-HILLSIDE-3/4 inch X 5 inch \*\*\*1\*\*\*

Comment

**Upper Hall**

Flooring 9009 Red Oak PEARL-Vintage Red Oak Solid Sculpted Character PEARL-HILLSIDE-3/4 inch X 5 inch \*\*\*1\*\*\*

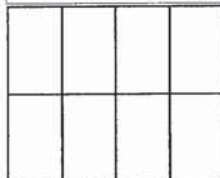
Comment

**Laundry Room**

Floor Tile 8921 OV.CH.GRY.1224-Chambray-Grey-12 x 24 See Tile Direction on Sketch Page \*\*\*2\*\*\* S 11

Floor Tile Grout 9839 Grout-Silver #5027 \*\*\*STD\*\*\*

Floor Tile Pattern 3040 FRONT TO BACK \*\*\*STD\*\*\*



Opt. Cabinet Colour/Style - Uppers 9529 Classic I-TRINITY PM LUMMIA-PM NORTHWIND 771 \*\*\*UPG\*\*\*

Opt. Cabinet Hardware - Uppers 2086 9677-HARDWARE \*\*\*STD\*\*\*

Cabinet Colour/Style - Base 9529 Classic I-TRINITY PM LUMMIA-PM NORTHWIND 771 \*\*\*UPG\*\*\*

Cabinet Hardware - Base 2086 9677-HARDWARE \*\*\*STD\*\*\*

Opt. Countertop 9806 Group 1-Quartz-Caesarstone-WHITE SAND # 7041-3/4

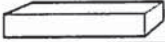
**Customer Colours**

INVENTORY HOME7169/  
 Project: Country Lane  
 Unit: 7169, Phase: 7  
 Model: 39-3123 B The Pinehurst

Created: 7/3/2024 15:15:48

Locked:

Closed:

Opt. Countertop	3800	Group 4-Quartz-Caesarstone-WHITE SAND # 5114-3/4 inch ***STD IN PRINCIPAL ENSUITE ONLY***
Opt. Countertop Edge	4010	GROUP 1 - SINGLE POLISHED STRAIGHT EDGE 3/4 INCH ***1***
Comment		

**Principal Suite and Walk-in Closets**

Flooring	9009	Red Oak PEARL-Vintage Red Oak Solid Sculpted Character PEARL-HILLSIDE-3/4 inch X 5 inch ***4***
Comment		

**Bedroom 2**

Flooring	9009	Red Oak PEARL-Vintage Red Oak Solid Sculpted Character PEARL-HILLSIDE-3/4 inch X 5 inch ***4***
Comment		

**Bedroom 3**

Flooring	9009	Red Oak PEARL-Vintage Red Oak Solid Sculpted Character PEARL-HILLSIDE-3/4 inch X 5 inch ***4***
Comment		

**Bedroom 4**

Flooring	9009	Red Oak PEARL-Vintage Red Oak Solid Sculpted Character PEARL-HILLSIDE-3/4 inch X 5 inch ***4***
Comment		

**Principal Ensuite**

Cabinet Colour/Style	9825	Viking IV-WESTPORT-ORCHID ***UPG***
Cabinet Hardware	9147	12817 BN NICKEL-HARDWARE ***2***
Countertop	8613	Group 6-Quartz-Caesarstone-WHITE ATTICA # 5143-3/4 inch with built-up edge ***6***
Countertop Edge	4005	DOUBLE MITRE 1 1/2 INCH ***UPG***
Floor Tile	9115	OV.ET.MGR.1224.PL Eterna Series Medium Grey 12x24 Polished See Tile Direction UPG 5
Floor Tile Grout	9839	Grout-Silver #5027 ***STD***
Floor Tile Pattern	3040	FRONT TO BACK ***STD***
		
		

**Customer Colours**

INVENTORY HOME7169/  
 Project: Country Lane  
 Unit: 7169, Phase: 7  
 Model: 39-3123 B The Pinehurst

Created: 7/3/2024 15:15:48

Locked:

Closed:

Shower Wall Tile	9459	SO.SB.LHT.0312.GL-Shadebrick-Light (Off White) Glossy-3 x 12 UPG 3 ***UPG***		
Shower Wall Tile Grout	9836	Grout-Eggshell #5220 ***STD***		
Shower Wall Tile Pattern	3070	HORIZONTAL STACKED ***STD***		
Shower Floor Tile	9086	OV.ET.MGR.02.HEX.MT Eterna Series Medium Grey 2 HEX Matte***7***		
Shower Floor Tile Grout	9839	Grout-Silver #5027 ***STD***		
Shower Floor Tile Pattern	3120	VERTICAL HEX ***STD***		
Shower Jamb(s) and Sill(s)	8923	Shower Jamb / Sill-Thassos White ***STD***		
Plumbing Fixture (colour)	1737	Plumbing Fixtures-WHITE ***STD***		
Comment				

**Shared Ensuite**

Cabinet Colour/Style	9529	Classic I-TRINITY PM LUMMIA-PM NORTHWIND 771 ***UPG***		
Cabinet Hardware	2086	9677-HARDWARE ***STD***		
Countertop	7888	Group 6-Quartz- Caesarstone-ALPINE MIST # 5110-3/4 inch with built-up edge ***7***		
Countertop Edge	4007	GROUP 2 TO 7 - DOUBLE MITRE 1 1/2 INCH ***3***		
Floor Tile	8921	OV.CH.GRY.1224-Chambray-Grey-12 x 24 See Tile Direction on Sketch Page ***2***		
				S 11
Floor Tile Grout	9839	Grout-Silver #5027 ***STD***		
Floor Tile Pattern	3040	FRONT TO BACK ***STD***		
Shower Wall Tile	9469	KD.OC.PRL.2,5 X 10-Oceani Series-Pearl Glossy-2,5 x 10 UPG 3 ***UPG***		
Shower Wall Tile Grout	9836	Grout-Eggshell #5220 ***STD***		
Shower Wall Tile Pattern	3070	HORIZONTAL STACKED ***STD***		
Opt. Shower Floor Tile	1111	N/A *****		

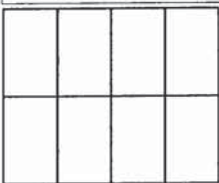
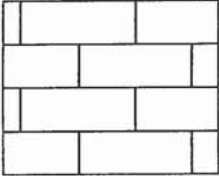
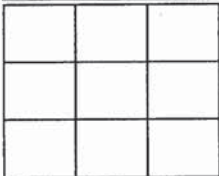
Customer Colours

INVENTORY HOME7169/  
 Project: Country Lane  
 Unit: 7169, Phase: 7  
 Model: 39-3123 B The Pinehurst

Created: 7/3/2024 15:15:48  
 Locked:  
 Closed:

Opt. Shower Floor Tile Grout	1111	N/A *****
Opt. Shower Floor Tile Pattern	1111	N/A *****
Opt. Shower Jamb(s) and Sill(s)	1111	N/A *****
Plumbing Fixture (colour)	1737	Plumbing Fixtures-WHITE ***STD***
Comment	912	

**Ensuite 4**

Cabinet Colour/Style	9120	VIKING III-GEORGIAN-ORCHID 3DL ***STD***
Cabinet Hardware	7672	135-HARDWARE ***STD***
Countertop	8603	Group 3-Quartz-Caesarstone-STONE GREY#4030-3/4 inch with built-up edge ***3***
Countertop Edge	4007	GROUP 2 TO 7 - DOUBLE MITRE 1 1/2 INCH ***3***
Floor Tile	8913	UN.BL.BIA.1224-Biel-Bianco (White)-12 x 24 See Tile Direction on Sketch Page ***2***
Floor Tile Grout	9839	Grout-Silver #5027 ***STD***
Floor Tile Pattern	3040	FRONT TO BACK ***STD***
		
Shower Wall Tile	5721	QT.CD.ARW.0306.BR-Colour and Dimension Bright-Arctic White-3 x 6 ***1***
Shower Wall Tile Grout	9836	Grout-Eggshell #5220 ***STD***
Shower Wall Tile Pattern	3060	HORIZONTAL BRICK ***STD***
		
Shower Floor Tile	8655	OD.QC.ARW.0202.FS-Quebec Series Unglazed Mosaic-Arctic White FS-1.89 x 1.89 ***1***
Shower Floor Tile Grout	9836	Grout-Eggshell #5220 ***STD***
Shower Floor Tile Pattern	3000	STANDARD SQUARE ***STD***
		
Shower Jamb(s) and Sill(s)	8923	Shower Jamb / Sill-Thassos White ***STD***
Plumbing Fixture (colour)	1737	Plumbing Fixtures-WHITE ***STD***
Comment		

S 11

**Customer Colours**

INVENTORY HOME7169/  
 Project: Country Lane  
 Unit: 7169, Phase: 7  
 Model: 39-3123 B The Pinehurst

Created: 7/3/2024 15:15:48

Locked:

Closed:

**Lower Level Family Room**

Flooring	9252	DY 16787-Dynasty Tex-MYSTIC BEIGE-40 oz Poly***STD***
Comment	"SPACES" FINISHED BASEMENT LAYOUT TO INCLUDE VIKING III MANCHESTER CAVIAR CABINETS, #7360 SILVER SAND QUARTZ COUNTER AND APPLIANCES SEEK SKETCH	

**Rec Room Elect. Fireplace**

Type	8865	Dimplex-Electric Fireplace-PF3033HL ***STD***
Mantle	1439	NF 17-Paint Grade Mantle-Flat Wall-WHITE ***STD***
Surround (OPT.)	1111	N/A *****

PG 47

- Purchasers have been advised: heat from the FP can damage TV above a FP and items placed on mantle.

- Heathwood and its contractors will not be liable for any damage on items placed and / or installed above a FP after closing.

Comment	
---------	--

**Lower Level bedroom**

Flooring	9252	DY 16787-Dynasty Tex-MYSTIC BEIGE-40 oz Poly***STD***
Comment		

**Lower Level Bathroom WOB V2 SPACES PLAN**

Cabinet Colour/Style	9157	Viking III-SIMCOE-MOONLIGHT-3DL ***STD***									
Cabinet Hardware	2086	9677-HARDWARE ***STD***									
Countertop	9808	Group 1-Quartz-Caesarstone-SILVER SAND # 7360-3/4 inch ***STD in PRINCIPLE ENSUITE ONLY***									
Countertop Edge	4010	GROUP 1 - SINGLE POLISHED STRAIGHT EDGE 3/4 INCH ***1***									
Floor Tile	5609	GE.SU.GRY.1313 Sauble Grey 13 x13 ***STD***									
Floor Tile Grout	9840	Grout-Pearl Gray #5019 ***STD***									
Floor Tile Pattern	3000	STANDARD SQUARE ***STD***									
		<table border="1"> <tr><td></td><td></td><td></td></tr> <tr><td></td><td></td><td></td></tr> <tr><td></td><td></td><td></td></tr> </table>									
Shower Wall Tile	8974	QT.CD.TGR.0416.BR-Colour and Dimension Bright-Tender Grey-4 x 16 ***4***									
Shower Wall Tile Grout	9837	Grout-Warm Grey #5093 ***UPG***									
Shower Wall Tile Pattern	3070	HORIZONTAL STACKED ***STD***									
		<table border="1"> <tr><td></td><td></td></tr> <tr><td></td><td></td></tr> </table>									



**Customer Colours**

INVENTORY HOME7169/  
 Project: Country Lane  
 Unit: 7169, Phase: 7  
 Model: 39-3123 B The Pinehurst

Created: 7/3/2024 15:15:48  
 Locked:  
 Closed:


Shower Floor Tile	8664	OD.ON.TGR.0202.MT.N-Ontario Series Mosaic-Tender Grey Matte-2 x 2 ***1***
Shower Floor Tile Grout	9837	Grout-Warm Grey #5093 ***STD***
Shower Floor Tile Pattern	3000	STANDARD SQUARE ***STD***


Shower Jamb(s) and Sill(s)	8923	Shower Jamb / Sill-Thassos White ***STD***
Plumbing Fixture (colour)	1737	Plumbing Fixtures-WHITE ***STD***

Comment

**Main Stairs**

Type	1712	Oak Stairs ***STD***
Colour	9796	Hillside STAIN TO COMPLIMENT HARDWOOD AND WILL VARY FROM FLOORING ***99***-STD
Handrail/Pickets/Posts Type	7654	1 3/4 inch Square pickets with 3 1/2 Square/Cap Post(s)-ALL OAK ***STD***
Handrail/Pickets/Posts Colour	1728	Oak Grade-Stain handrail,oak pickets,stringers,treads,risers
Custom Stain/Paint	1111	N/A *****
Landing(s)	9009	Red Oak PEARL-Vintage Red Oak Solid Sculpted Character PEARL-HILLSIDE-3/4 inch X 5 inch ***1***
Opt. Carpet Runner	1111	N/A *****

Comment

**Lower Level Stairs**

Type	1712	Oak Stairs ***1 BASEMENT STAIRS***
Colour	9796	Hillside STAIN TO COMPLIMENT HARDWOOD AND WILL VARY FROM FLOORING ***99***-STD
Handrail/Pickets/Posts Type	7654	1 3/4 inch Square pickets with 3 1/2 Square/Cap Post(s)-ALL OAK ***STD***
Handrail/Pickets/Posts Colour	1728	Oak Grade-Stain handrail,oak pickets,stringers,treads,risers
Custom Stain/Paint	1111	N/A *****
Landing(s)	9009	Red Oak PEARL-Vintage Red Oak Solid Sculpted Character PEARL-HILLSIDE-3/4 inch X 5 inch ***1***
Carpet Runner	1111	N/A *****

Comment

**Throughout**

Switches and Plates	5700	Decorative White Switches and Plates ***STD***
---------------------	------	--

Customer Colours

INVENTORY HOME7169/  
Project: Country Lane  
Unit: 7169, Phase: 7  
Model: 39-3123 B The Pinehurst

Created: 7/3/2024 15:15:48

Locked:

Closed:

Switches and Plug	5796	Decora white Switches and Plugs ***STD***
Thresholds	2232	Metal Thresholds ***STD***
Underpad	1079	500 Series-Underpad ***STD***
Trim Size	8704	5 1/4 inch Baseboard and 3 inch Integrated Backbend Casings ***UPG*** / ***STD in Singles***
Trim - Paint Colour	1716	Trim-WHITE ***STD***
Walls - Paint Colour	1717	22-Wall-WARM GREY ***STD***
Comment		

Purchaser: Model Home INVENTORY HOME7169 Date July 31/24  
 Decor Consultant MARION ROSEN Date

Purchaser: \_\_\_\_\_ Date \_\_\_\_\_ Country Lane -07- 31 2024  
 Date Approved



## CONSTRUCTION SUMMARY

**Lot: 7169**

**Model: 39-3123 B The Pinehurst**

**Project/Phase: Country Lane / 7**

Offer Worksheet	This is Possibly a Deck Grading Condition that includes a deck with steps to grade. (Standard Finished Lower Level Plan). Note:
-----------------	--

Offer Worksheet	This House requires a Rear Elevation Upgrade Due to Architect Control. Note:
-----------------	---

Offer Worksheet	Spaces - Finished Lower Level Plan: Including, 3 Piece Bathroom, Fridge, Built-in Micro-Wave/Hood fan, Front Loading Washer/Dryer. Electric Fireplace and Wet Bar. As per Plan. Note:
-----------------	--



## CONSTRUCTION SUMMARY

**Lot: 7169**  
**Model: 39-3123 B The Pinehurst**  
**Project/Phase: Country Lane / 7**

### ALUMINUM

Invoice	Qty.	Description
1668 390,504 22Jun24 **	8.0	- ELECTRICAL-EXTERIOR POTLIGHT 4 INCH IN SOFFIT (120 VOLT NON-INSULATED) MODEL #2550WH  2 X FRONT ELEVATION , 3 X REAR ELEVATION, 3 X GARAGE SIDE ELEVATION SEE SKETCH # 1, 2 <b>AND MINUM-Provide soffit cutout to accommodate outlet</b>
1709  22Jun24 ** NoCat	1.0	- This House requires a Rear Elevation Upgrade Due to Architect Control. Model 39-3123 B The Pinehurst.
1714  01Aug24 ** NoCat	1.0	FINISHED BASEMENT FAMILY (REC) ROOM - "SPACES" FINISHED LOWER LEVEL TO INCLUDE "KITCHETTE" WITH FRIDGE, MICROWAVE AND STACKED WASHER /DRYER AND LOCK ON PATIO DOOR  SPECIAL PLAN WINDOWS TO REMAIN AS PER DECK LOT SKETCH # 7 AND 8 SEE APPLIANCE SPECS

### APPLIANCES

Invoice	Qty.	Description
1714 389,466 01Aug24	1.0	KITCHEN - APPLIANCES - KITCHENAID 36 INCH CHIMNEY HOOD BLACK SS - KVWB606HBS  SEE SPEC <b>CABINENTRY-delete stove uppers; ELECTRICAL-Notify; HEATING/AIR CONDITIONING-Duct Size remains 6</b>
1714  01Aug24 ** NoCat	1.0	FINISHED BASEMENT FAMILY (REC) ROOM - "SPACES" FINISHED LOWER LEVEL TO INCLUDE "KITCHETTE" WITH FRIDGE, MICROWAVE AND STACKED WASHER /DRYER AND LOCK ON PATIO DOOR  SPECIAL PLAN WINDOWS TO REMAIN AS PER DECK LOT SKETCH # 7 AND 8 SEE APPLIANCE SPECS
1714  01Aug24 NoCat	1.0	KITCHEN - SEE SEPCS FOR KITCHEN AID BLACK/STAINLESS APPLIANCES FOR MODEL DISPLAY PURPOSES  36" BUILT-IN FRENCH DOOR FRIDGE KBFN506EBS 36" INDUCTION COOKTOP KCIG556JBL.SS 30" MICRO/OVEN COMBO KOEC530PBS 24" DISHWASHER KDTE204KBS SEE SPECS
1714  01Aug24 NoCat	1.0	LAUNDRY ROOM - SUPPLY AND INSTALL FOR MODEL DISPLAY PURPOSES  LG WASHER COLOUR GRAPHITE STEEL MODEL WM5500HV LG DRYER COLOUR GRAPHITE STEEL MODEL DLEX5500V SEE SPECS
1714 389,736 01Aug24 **	1.0	KITCHEN - GRANITE - GRANITE CUTOUT w/ STRAIGHT EDGE POLISH TO ACCOMMODATE COOK TOP  FOR 36" COOKTOP SKETCH # 10 SEE COOKTOP SPECS



## CONSTRUCTION SUMMARY

**Lot: 7169**  
**Model: 39-3123 B The Pinehurst**  
**Project/Phase: Country Lane / 7**

### CABINETRY

Invoice	Qty.	Description
1668 390,276 22Jun24	1.0	KITCHEN - CABINETRY-10A-UPPER ANGLE CORNER PER UNIT CLASSIC  FOR BULKHEAD PURPOSES SKETCH # 5 <b>DRYWAL-Notify; FRAMING-Notify; PAINTING-Notify</b>
1668 22Jun24 NoCat	1.0	KITCHEN/BREAKFAST - OPTIONAL DESK AND PANTRY (FOR BULKHEAD PURPOSES) TO BE CHARGE WITH COMPLETED COLOUR CHART SKETCH # 5  <b>DRYWAL-Notify; FRAMING-Notify; PAINTING-Notify</b>
1714 01Aug24 NoCat	1.0	KITCHEN - CABINETRY - KITCHEN - CLASSIC PLUS - UPG
1714 01Aug24 ** NoCat	1.0	KITCHEN - HARDWOOD - KITCHEN - RED OAK 3/4 X 5 - UPG  <b>CABINETRY-Raise Cabinet; CERAMICS-Delete Std Ceramics</b>
1714 01Aug24 NoCat	1.0	LAUNDRY ROOM - CABINETRY - LAUNDRY ROOM - OPT. UPPERS CLASSIC I - UPG  SKETCH # 11 AND 12
1714 01Aug24 NoCat	1.0	LAUNDRY ROOM - CABINETRY - LAUNDRY ROOM - CABINETRY CLASSIC I - UPG  UPGRADE STANDARD BASE CABINET FROM VIKING TO CLASSIC 1
1714 01Aug24 NoCat	1.0	MASTER ENSUITE - CABINETRY - MASTER ENSUITE - VIKING IV - UPG
1714 01Aug24 ** NoCat	1.0	MASTER ENSUITE - GRANITE - MASTER ENSUITE - COUNTERTOP GROUP 6 QUARTZ 3/4 WITH BUILT UP EDGE - 6  <b>CABINETRY-delete std countertop; GRANITE-see upgraded single hole faucet and undermount sink</b>
1714 01Aug24 NoCat	1.0	SHARED BATHROOM - CABINETRY - SHARED BATHROOM - CLASSIC I - UPG
1714 01Aug24 ** NoCat	1.0	SHARED BATHROOM - GRANITE - SHARED BATHROOM - COUNTERTOP GROUP 6 QUARTZ 3/4 WITH BUILT UP EDGE - 6  <b>CABINETRY-delete std countertop; GRANITE-see upgraded single hole faucet and undermount sink</b>
1714 01Aug24 ** NoCat	1.0	ENSUITE 4 - GRANITE - ENSUITE 4 - COUNTERTOP GROUP 3 QUARTZ 3/4 WITH BUILT UP EDGE - 3  <b>CABINETRY-delete std countertop; GRANITE-see upgraded single hole faucet and undermount sink</b>
1714 01Aug24 ** NoCat	1.0	FINISHED BASEMENT BATHROOM - GRANITE - FINISHED BASEMENT BATHROOM - COUNTERTOP GROUP 1 -3/4 -STD STRAIGHT EDGE UPG  <b>CABINETRY-delete std countertop; GRANITE-see upgraded single hole faucet and undermount sink</b>
1714 390,393 01Aug24	1.0	- CABINETRY-2G-UPGRADE BOARD II HARDWARE FOR KITCHEN IN A SINGLE OR DETACHED MODEL (STACKED UPPER HARDWARE IS AN ADDITIONAL CHARGE SEE LINE G03 IF APPLICABLE) CLASSIC



## CONSTRUCTION SUMMARY

**Lot: 7169**  
**Model: 39-3123 B The Pinehurst**  
**Project/Phase: Country Lane / 7**

### CABINETRY

Invoice	Qty.	Description
1714 389,858 01Aug24 **	1.0	KITCHEN - PLUMBING - KITCHEN SINK UPGRADE - BLANCO KITCHEN SINK PRECIS U SUPER SINGLE (32 INCH X 19 INCH ) UNDERMOUNT 1 LARGE BOWL 9-1/2 INCH DEEP - COLOUR: ANTHRACITE MODEL#400890  SEE SPEC <b>CABINETRY-upgraded kitchen sink; GRANITE-upgraded kitchen sink</b>
1714 01Aug24 NoCat	1.0	KITCHEN - KITCHEN - CABINETRY - OPT. PANTRY AND CHEF DESK - CLASSIC PLUS - UPG  SKETCH # 9 AND 10 <b>DRYWAL-Notify; FRAMING-Modify Bulkhead; PAINTING-Notify</b>
1714 390,405 01Aug24	1.0	MASTER ENSUITE - CABINETRY-5G -UPGRADE BOARD II HARDWARE FOR DOUBLE SINK VANITY BATHROOMS AND LAUNDRY ROOMS CLASSIC  PRINCIPAL ENSUITE
1714 390,307 01Aug24	2.0	KITCHEN - CABINETRY-10B+8B-KITCHEN POTS AND PANS (3) DRAWERS WITH SOFT-CLOSE TANDEMBOX DRAWERS (WIDTH MIN. 60CM/MAX. 90CM) (SIZE SUBJECT TO FLOOR PLAN) CLASSIC  SKETCH # 10
1714 389,466 01Aug24 **	1.0	KITCHEN - APPLIANCES - KITCHENAID 36 INCH CHIMNEY HOOD BLACK SS - KVWB606HBS  SEE SPEC <b>CABINETRY-delete stove uppers; ELECTRICAL-Notify; HEATING/AIR CONDITIONING-Duct Size remains 6</b>
1714 395,462 01Aug24 **	1.0	LAUNDRY ROOM - PLUMBING-BOSCO LAUNDRY TUB MODEL T207004 18 IN X 16 IN X 10 IN DEEP  SEE SPECS <b>CABINETRY-delete std countertop; GRANITE-see upgraded single hole faucet and undermount sink</b>
1714 01Aug24 ** NoCat	1.0	FINISHED BASEMENT FAMILY (REC) ROOM - "SPACES" FINISHED LOWER LEVEL TO INCLUDE "KITCHETTE" WITH FRIDGE, MICROWAVE AND STACKED WASHER /DRYER AND LOCK ON PATIO DOOR  SPECIAL PLAN WINDOWS TO REMAIN AS PER DECK LOT SKETCH # 7 AND 8 SEE APPLIANCE SPECS
1714 390,361 01Aug24	1.0	KITCHEN - CABINETRY-CLASSIC PLUS-OPT. BUILT-INS + B08 INCLUDING SOFT-CLOSE TANDEMBOX POTS AND PANS (2) DRAWERS (WIDTH MIN. 60CM/MAX. 90CM) (SIZE SUBJECT TO FLOOR PLAN)-UPG  SKETCH # 10 SEE APPLIANCE SPECS <b>DRYWAL-Notify; FRAMING-Modify Bulkhead; GRANITE-delete partial countertop due to Built-in; PAINTING-</b>
1714 01Aug24 ** NoCat	1.0	KITCHEN - INSTALL VALANCE & LIGHTING FOR BUILT-IN KITCHEN LAYOUT  SKETCH # 10 <b>ELECTRICAL-Complete Kitchen valaance light including switch (Luminiz LED slimline strip light)</b>
1714 389,736 01Aug24 **	1.0	KITCHEN - GRANITE - GRANITE CUTOUT w/ STRAIGHT EDGE POLISH TO ACCOMMODATE COOK TOP  FOR 36" COOKTOP SKETCH # 10 SEE COOKTOP SPECS
1714 390,366 01Aug24	2.0	MASTER ENSUITE - CABINETRY-D13-VANITY TOP DRAWER/LOWER DRAWER (PER DRAWER) (METABOX STANDARD LEVELS 1-7, SOFT-CLOSE TANDEMBOX STANDARD LEVELS 8-13) VIKING  TWO ADDITIONAL TOP DRAWERS IN MASTER ENSUITE VANITIES SKETCH # 12



## CONSTRUCTION SUMMARY

Lot: 7169  
 Model: 39-3123 B The Pinehurst  
 Project/Phase: Country Lane / 7

### CARPET

Invoice	Qty.	Description
1714 01Aug24 ** NoCat	1.0	MASTER BEDROOM - HARDWOOD - MASTER BEDROOM - RED OAK 3/4 X 5 - 4 - UPG  <b>CARPET-delete std carpet; INTERIOR TRIM-supply and install quarter rounds; PAINTING-paint quarter round</b>
1714 01Aug24 ** NoCat	1.0	BEDROOM 2 - HARDWOOD - BEDROOM 2 - RED OAK 3/4 X 5 - 4 - UPG  <b>CARPET-delete std carpet; INTERIOR TRIM-supply and install quarter rounds; PAINTING-paint quarter round</b>
1714 01Aug24 ** NoCat	1.0	BEDROOM 3 - HARDWOOD - BEDROOM 3 - RED OAK 3/4 X 5 - 4 - UPG  <b>CARPET-delete std carpet; INTERIOR TRIM-supply and install quarter rounds; PAINTING-paint quarter round</b>
1714 01Aug24 ** NoCat	1.0	BEDROOM 4 - HARDWOOD - BEDROOM 4 - RED OAK 3/4 X 5 - 4 - UPG  <b>CARPET-delete std carpet; INTERIOR TRIM-supply and install quarter rounds; PAINTING-paint quarter round</b>
1714 01Aug24 ** NoCat	1.0	FINISHED BASEMENT FAMILY (REC) ROOM - "SPACES" FINISHED LOWER LEVEL TO INCLUDE "KITCHETTE" WITH FRIDGE, MICROWAVE AND STACKED WASHER /DRYER AND LOCK ON PATIO DOOR  SPECIAL PLAN WINDOWS TO REMAIN AS PER DECK LOT SKETCH # 7 AND 8 SEE APPLIANCE SPECS



## CONSTRUCTION SUMMARY

Lot: 7169  
 Model: 39-3123 B The Pinehurst  
 Project/Phase: Country Lane / 7

### CERAMICS

Invoice	Qty.	Description
1714 01Aug24 NoCat	1.0	KITCHEN - CERAMICS - KITCHEN - OPT. BACKSPLASH - UPG 2
1714 01Aug24 NoCat	1.0	KITCHEN - CERAMICS - KITCHEN - OPT. BACKSPLASH GROUT - UPG
1714 01Aug24 ** NoCat	1.0	KITCHEN - HARDWOOD - KITCHEN - RED OAK 3/4 X 5 - UPG <b>CABINETRY-Raise Cabinet; CERAMICS-Delete Std Ceramics</b>
1714 01Aug24 NoCat	1.0	FOYER - CERAMICS - FOYER - FLOOR - UPG 5 - UPG
1714 01Aug24 NoCat	1.0	POWDER ROOM - CERAMICS - POWDER ROOM - FLOOR - UPG 5 - UPG
1714 01Aug24 NoCat	1.0	LAUNDRY ROOM - CERAMICS - LAUNDRY ROOM - FLOOR - 2 - UPG
1714 01Aug24 NoCat	1.0	MASTER ENSUITE - CERAMICS - MASTER ENSUITE - FLOOR - UPG 5
1714 01Aug24 NoCat	1.0	MASTER ENSUITE - CERAMICS - MASTER ENSUITE - SHOWER WALL - UPG 3
1714 01Aug24 NoCat	1.0	MASTER ENSUITE - CERAMICS - MASTER ENSUITE - SHOWER FLOOR - 7 - UPG
1714 01Aug24 NoCat	1.0	SHARED BATHROOM - CERAMICS - SHARED BATHROOM - FLOOR - 2
1714 01Aug24 NoCat	1.0	SHARED BATHROOM - CERAMICS - SHARED BATHROOM - SHOWER WALL - UPG 5
1714 01Aug24 NoCat	1.0	ENSUITE 4 - CERAMICS - ENSUITE 4 - FLOOR - 2
1714 01Aug24 NoCat	1.0	ENSUITE 4 - CERAMICS - ENSUITE 4 - SHOWER FLOOR - UPG 1





## CONSTRUCTION SUMMARY

**Lot: 7169**  
**Model: 39-3123 B The Pinehurst**  
**Project/Phase: Country Lane / 7**

### CERAMICS

Invoice	Qty.	Description
1714 01Aug24 NoCat	1.0	ENSUITE 4 - CERAMICS - ENSUITE 4 - SHOWER WALL - 1
1714 01Aug24 NoCat	1.0	FINISHED BASEMENT BATHROOM - CERAMICS - FINISHED BASEMENT BATHROOM - SHOWER WALL - 4
1714 01Aug24 NoCat	1.0	FINISHED BASEMENT BATHROOM - CERAMICS - FINISHED BASEMENT BATHROOM - SHOWER WALL GROUT - UPG
1714 01Aug24 NoCat	1.0	FINISHED BASEMENT BATHROOM - CERAMICS - FINISHED BASEMENT BATHROOM (SPACES PLAN) - SHOWER FLOOR - UPG 1
1714 01Aug24 NoCat	1.0	MUD ROOM - CERAMICS - MUD ROOM - FLOOR - UPG 5
1714 01Aug24 ** NoCat	1.0	FINISHED BASEMENT FAMILY (REC) ROOM - "SPACES" FINISHED LOWER LEVEL TO INCLUDE "KITCHETTE" WITH FRIDGE, MICROWAVE AND STACKED WASHER /DRYER AND LOCK ON PATIO DOOR SPECIAL PLAN WINDOWS TO REMAIN AS PER DECK LOT SKETCH # 7 AND 8 SEE APPLIANCE SPECS
1714 01Aug24 NoCat	1.0	SHARED BATHROOM - CERAMICS - SHARED BATHROOM - SHOWER WALL - HERRINGBONE - UPG

### CONCRETE AND DRAIN

Invoice	Qty.	Description
1714 01Aug24 ** NoCat	1.0	FINISHED BASEMENT FAMILY (REC) ROOM - "SPACES" FINISHED LOWER LEVEL TO INCLUDE "KITCHETTE" WITH FRIDGE, MICROWAVE AND STACKED WASHER /DRYER AND LOCK ON PATIO DOOR SPECIAL PLAN WINDOWS TO REMAIN AS PER DECK LOT SKETCH # 7 AND 8 SEE APPLIANCE SPECS

### DECK

Invoice	Qty.	Description
1709 22Jun24 NoCat	1.0	- This is a Deck Grading Condition that includes a deck with steps to grade. Model 39-3123 B The Pinehurst.
1714 01Aug24 ** NoCat	1.0	FINISHED BASEMENT FAMILY (REC) ROOM - "SPACES" FINISHED LOWER LEVEL TO INCLUDE "KITCHETTE" WITH FRIDGE, MICROWAVE AND STACKED WASHER /DRYER AND LOCK ON PATIO DOOR SPECIAL PLAN WINDOWS TO REMAIN AS PER DECK LOT SKETCH # 7 AND 8 SEE APPLIANCE SPECS



## CONSTRUCTION SUMMARY

**Lot: 7169**  
**Model: 39-3123 B The Pinehurst**  
**Project/Phase: Country Lane / 7**

### DRYWALL

Invoice	Qty.	Description
1668 395,428 22Jun24	1.0	- DRYWALL - SMOOTH CEILINGS - SECOND FLOOR - UPG  <b>ELECTRICAL-Drop electrical boxes; PAINTING-Paint smooth ceiling</b>
1668 395,429 22Jun24	1.0	- DRYWALL - SMOOTH CEILINGS - BASEMENT - UPG  <b>PAINTING-Paint smooth ceiling</b>
1668 395,427 22Jun24 **	1.0	- Waffle Ceiling - Install Waffle Ceiling. Coffered ceiling is standard - GREAT ROOM - UPG  <b>DRYWALL-Standard Smooth Ceiling inside waffles;FRAMING-Strap Ceiling for Potlights;PAINTING-Paint mou (6)</b>
1668 390,276 22Jun24 **	1.0	KITCHEN - CABINETY-A11-UPPER ANGLE CORNER PER UNIT VIKING  FOR BULKHEAD PURPOSES SKETCH # 5 <b>DRYWAL-Notify; FRAMING-Notify; PAINTING-Notify</b>
1668  22Jun24 ** NoCat	1.0	KITCHEN/BREAKFAST - OPTIONAL DESK AND PANTRY (FOR BULKHEAD PURPOSES) TO BE CHARGE WITH COMPLETED COLOUR CHART SKETCH # 5  <b>DRYWAL-Notify; FRAMING-Notify; PAINTING-Notify</b>
1668 395,461 22Jun24 **	1.0	- CLASSIC COLLECTION SCHEDULE A - Choice of 20 LED pot lights (3000K) in finished areas (Second Floor Potlight(s) Require Smooth Ceiling) DRYWALL-Drywall Ceiling cutouts for potlights FRAMING-Frame to accommodate potlights 6 X FINISHED BASEMENT REC ROOM USE STANDARD SWITCH ( DELETE 2 STANDARD LIGHTS) 4 X FINISHED BASEMENT HALL USE STANDARD 3 WAY SWITCH ( DELETE 2 STANDARD LIGHTS) 6 X GREAT ROOM WITH SEPARATE SWITCH, 4 X MAIN FLOOR DEN WITH SEPARATE SWITCH SEE SKETCH # 4 AND 5
1714  01Aug24 ** NoCat	1.0	KITCHEN - KITCHEN - CABINETY - OPT. PANTRY AND CHEF DESK - CLASSIC PLUS - UPG  SKETCH # 9 AND 10 <b>DRYWAL-Notify; FRAMING-Modify Bulkhead; PAINTING-Notify</b>
1714  01Aug24 ** NoCat	1.0	FINISHED BASEMENT FAMILY (REC) ROOM - "SPACES" FINISHED LOWER LEVEL TO INCLUDE "KITCHETTE" WITH FRIDGE, MICROWAVE AND STACKED WASHER /DRYER AND LOCK ON PATIO DOOR  SPECIAL PLAN WINDOWS TO REMAIN AS PER DECK LOT SKETCH # 7 AND 8 SEE APPLIANCE SPECS
1714 389,718 01Aug24 **	1.0	- FIREPLACE AND MANTLE - UPGRADE TO NF-8 WHITE PAINT GRADE MANTLE (NO MARBLE SURROUND UNLESS ON FLAT WALL)  <b>DRYWALL-notify; ELECTRICAL-notify; FRAMING-notify; HEATING-notify; INTERIOR TRIM-notify; PAINTING-Paint Upgraded Mantle</b>
1714 390,361 01Aug24 **	1.0	KITCHEN - CABINETY-CLASSIC PLUS-OPT. BUILT-INS + B08 INCLUDING SOFT-CLOSE TANDEMBOX POTS AND PANS (2) DRAWERS (WIDTH MIN. 60CM/MAX. 90CM) (SIZE SUBJECT TO FLOOR PLAN)-UPG  SKETCH # 10 SEE APPLIANCE SPECS <b>DRYWAL-Notify; FRAMING-Modify Bulkhead; GRANITE-delete partial countertop due to Built-in; PAINTING-</b>



## CONSTRUCTION SUMMARY

**Lot: 7169**  
**Model: 39-3123 B The Pinehurst**  
**Project/Phase: Country Lane / 7**

### ELECTRICAL

Invoice	Qty.	Description
1668 390,504 22Jun24	8.0	- ELECTRICAL-EXTERIOR POTLIGHT 4 INCH IN SOFFIT (120 VOLT NON-INSULATED) MODEL #2550WH  2 X FRONT ELEVATION , 3 X REAR ELEVATION, 3 X GARAGE SIDE ELEVATION SEE SKETCH # 1, 2 <b>AND MINUM-Provide soffit cutout to accommodate outlet</b>
1668 390,523 22Jun24	2.0	- ELECTRICAL-3000K POTLIGHT (LOWER LEVEL) BUNDLE- 8 X 4 INCH SLIM RECESSED LED DOWNLIGHT WHITE TRIM INCLUDES 2 SWITCHES NOTE: LOCATION MAY VARY FROM REQUEST DEPENDS ON JOIST PLACEMENT DRYWALL-Drywall Ceiling cutouts for potlights FRAMING-Frame to accom 4 X KITCHEN ON SEPARATE SWITCH, 4 X BREAKFAST ROOM ON SEPARATE SWITCH, 4 X MAIN HALL USE EXISTING 3 WAY SWITCH (DELETE STANDARD LIGHTS) 4 X DINING ROOM ON SEPARATE SWITCH SKETCH # 5 AND 6
1668 389,800 22Jun24 **	1.0	KITCHEN - HEATING/AIR - ROUGH-IN GAS LINE FOR GAS STOVE AT MAIN FLOOR (SEE SPECS) (HOOK-UP NOT INCLUDED) LEAVE STANDARD 120 VOLT ELECTRICAL OUTLET ON A SEPARATE CIRCUIT. * SPECIFY IF STANDARD 220V WILL STAY OR BE RELOCATED 220 V ( 240V 40AMP) TO REMAIN SEE SKETCH # 5 <b>ELECTRICAL-Notify</b>
1668 390,523 22Jun24	2.0	- ELECTRICAL-3000K POTLIGHT (LOWER LEVEL) BUNDLE-8 X 4 INCH SLIM RECESSED LED DOWNLIGHT WHITE TRIM INCLUDES 2 SWITCHES NOTE: LOCATION MAY VARY FROM REQUEST DEPENDS ON JOIST PLACEMENT DRYWALL-Drywall Ceiling cutouts for potlights FRAMING-Frame to accomod 4 X PARLOUR USE EXISTING SWITCH ( DELETE STD LIGHT IN CENTER OF ROOM) 1 X LANDING FROM MAIN TO LOWER ON EXISTING 3 WAYS SWITCH ( DELETE STD LIGHT) 1 X LANDING FROM MAIN TO SECOND FLOOR USE EXISTING 3 WAY SWITCH ( DELETE STD LIGHT) 1 X HALL TO POWDER ROOM ON EXISTING 4 WAY SWITCH ( DELETE STD LIGHT , 3 X SECOND FLOOR HALL USE EXITING 3 WAY SWITCH ( DELETE STD 2 LIGHTS) 6 X PRINCIPAL BEDROOM ON SEPARATE SWITCH, SKETCH # 5 AND 6
1668 390,528 22Jun24	1.0	KITCHEN - ELECTRICAL-RELOCATION OF SWITCHES/LIGHTS (MUST SPECIFY LOCATION)-NOTE: PLUGS CANNOT BE RELOCATED- MUST PURCHASE ADDITIONAL OUTLET.  RELOCATE STANDARD KITCHEN LIGHT TO BE CENTERED ABOVE ISLAND ( CAPPED) USE EXISTING SWITCH SKETCH # 5
1668 395,428 22Jun24 **	1.0	- DRYWALL - SMOOTH CEILINGS - SECOND FLOOR - UPG  <b>ELECTRICAL-Drop electrical boxes; PAINTING-Paint smooth ceiling</b>
1668 390,529 22Jun24	2.0	- ELECTRICAL-SUPPLY AND INSTALL RECESSED PLUG ON EXISTING CIRCUIT  1 X RECREATION ROOM 70" +/- FROM FLOOR ABOVE ELECTRIC FIREPLACE AND 1 X IN GREAT ROOM 70" +/- FROM FLOOR ABOVE GAS FIREPLACE SKETCH 4 AND 5
1668 390,535 22Jun24	1.0	FOYER - ELECTRICAL-SWITCH-ADDITIONAL SWITCH  INSTALL IN FOYER FOR EXTERIOR POT LIGHTS SKETCH # 5
1668 390,494 22Jun24	1.0	- ELECTRICAL-CAR CHARGER-2 INCH CONDUIT WITH 8X8 BOX FOR FUTURE CAR CHARGER  SKETCH # 5
1668 395,461 22Jun24	1.0	- CLASSIC COLLECTION SCHEDULE A - Choice of 20 LED pot lights (3000K) in finished areas (Second Floor Potlight(s) Require Smooth Ceiling) DRYWALL-Drywall Ceiling cutouts for potlights FRAMING-Frame to accommodate potlights 6 X FINISHED BASEMENT REC ROOM USE STANDARD SWITCH ( DELETE 2 STANDARD LIGHTS) 4 X FINISHED BASEMENT HALL USE STANDARD 3 WAY SWITCH ( DELETE 2 STANDARD LIGHTS) 6 X GREAT ROOM WITH SEPARATE SWITCH, 4 X MAIN FLOOR DEN WITH SEPARATE SWITCH SEE SKETCH # 4 AND 5
1714 389,466 01Aug24 **	1.0	KITCHEN - APPLIANCES - KITCHENAID 36 INCH CHIMNEY HOOD BLACK SS - KVWB606HBS  SEE SPEC <b>CABINETRY-delete stove uppers; ELECTRICAL-Notify; HEATING/AIR CONDITIONING-Duct Size remains 6</b>



## CONSTRUCTION SUMMARY

**Lot: 7169**  
**Model: 39-3123 B The Pinehurst**  
**Project/Phase: Country Lane / 7**

### ELECTRICAL

Invoice	Qty.	Description
1714 01Aug24 ** NoCat	1.0	FINISHED BASEMENT FAMILY (REC) ROOM - "SPACES" FINISHED LOWER LEVEL TO INCLUDE "KITCHETTE" WITH FRIDGE, MICROWAVE AND STACKED WASHER /DRYER AND LOCK ON PATIO DOOR  SPECIAL PLAN WINDOWS TO REMAIN AS PER DECK LOT SKETCH # 7 AND 8 SEE APPLIANCE SPECS
1714 389,718 01Aug24 **	1.0	- FIREPLACE AND MANTLE - UPGRADE TO NF-8 WHITE PAINT GRADE MANTLE (NO MARBLE SURROUND UNLESS ON FLAT WALL)  <b>DRYWALL-notify; ELECTRICAL-notify; FRAMING-notify; HEATING-notify; INTERIOR TRIM-notify; PAINTING-Paint Upgraded Mantle</b>
1714 390,510 01Aug24	1.0	KITCHEN - ELECTRICAL-OUTLET-50AMP/240V ADDITIONAL, PLEASE SPECIFY LOCATION  FOR 36" INDUCTION COOKTOP SKETCH # 9 SEE COOKTOP SPECS
1714 390,528 01Aug24	1.0	KITCHEN - ELECTRICAL-RELOCATION OF SWITCHES/LIGHTS (MUST SPECIFY LOCATION)-NOTE: PLUGS CANNOT BE RELOCATED- MUST PURCHASE ADDITIONAL OUTLET.  RELOCATE STANDARD 240V 40AMP FROM STOVE TO BUILT-IN MICRO/OVEN LOCATION AS PER BUILT-IN KITCHEN LAYOUT SKETCH # 10 SEE MICRO/OVEN SPECS
1714 01Aug24 ** NoCat	1.0	KITCHEN - INSTALL VALANCE & LIGHTING FOR BUILT-IN KITCHEN LAYOUT  SKETCH # 10 <b>ELECTRICAL-Complete Kitchen valance light including switch (Luminiz LED slimline strip light)</b>
1714 01Aug24 NoCat	1.0	FOYER - SUPPLY AND INSTALL "KILL" SWITCH IN FOYER FOR MODEL HOME  SKETCH # 9
1714 390,519 01Aug24	1.0	DEN - ELECTRICAL-OUTLET-EXTRA WALL INTERIOR OUTLET ON EXISTING CIRCUIT (DOES NOT INCLUDE KITCHEN OUTLETS)  SKETCH # 9
1714 390,529 01Aug24	2.0	MAIN HALL - ELECTRICAL-SUPPLY AND INSTALL RECESSED PLUG ON EXISTING CIRCUIT  INSTALL 2 X RECESSED PLUGS AT 42" FROM FLOOR IN MAIN HALL NICHE FOR SCREEN FOR MODEL HOME SKETCH # 9
1714 390,530 01Aug24	1.0	- ELECTRICAL-SUPPLY AND INSTALL WHOLE HOME SURGE PROTECTOR
1714 390,496 01Aug24	1.0	KITCHEN - ELECTRICAL-CEILING ROUGH-IN (CAPPED)  ADDITIONAL CAPPED CEILING ABOVE KITCHEN ISLAND ALONG WITH RELOCATED KITCHEN LIGHT (CAPPED) ABOVE ISLAND FOR A TOTAL OF 2 ABOVE ISLAND FOR PENDANT LIGHTS SKETCH # 9
1714 01Aug24 NoCat	1.0	THROUGHOUT - SUPPLY AND INSTALL THE FOLLOWING LIGHT FIXTURES FOR THE MODEL HOME FINISHED LOWER LEVEL SEE SPECS FOYER /REC ROOM POT LIGHTS ONLY FINISHED LOWER LEVEL BEDROOM ( 5) CEILING -MATTEO FLUSH MOUNT m13002ch CHROME FINISHED LOWER LEVEL BATHROOM CEILING - MATTEO FLUSH MOUNT m13002ch CHROME FINISHED LOWER LEVEL BATHROOM VANITY - ALORA -Hazel v1524217 CHROME



## CONSTRUCTION SUMMARY

**Lot: 7169**  
**Model: 39-3123 B The Pinehurst**  
**Project/Phase: Country Lane / 7**

### ELECTRICAL

Invoice	Qty.	Description
1714  01Aug24 NoCat	1.0	THROUGHOUT - SUPPY AND INSTALL THE FOLLOWING LIGHT FIXTURES FOR MODEL HOME MAIN FLOOR SEE SPECS  FOYER AND DEN -CEILING FLUSH MOUNT KUZCO-Dalton-fm7920 BLACK X2 DINING ROOM- KUZCO -AMARACH89854 BLACK KITCHEN ISLAND- 2 X z lite Pearson-818-9mb BLACK BREAKFAST ROOM BRUNI pd24724-BLACK POWDER ROOM- VANITY KUZCO- Edna-vl63316 BLACK MUDROOM- CEILING FLUSH MOUNT-MATTEO m11901 BLACK
01Aug24 NoCat	1.0	THROUGHOUT - SUPPLY AND INSTALL THE FOLLOWING LIGHT FIXTURES FOR THE MODEL HOME SECOND FLOOR SEE SPECS UPPER HALL - POT LIGHTS ONLY BEDROOMS 2, 3 AND 4 CEILINGS- MATTEO FLUSH MOUNT m13002ch CHROME LAUNDRY ROOM CEILING- MATTEO FLUSH MOUNT m13702 BLACK PRINCIPAL BEDROOM CEILING -KUZCO - PLISSE-CCH628423 PRINCIPAL ENSUITE BATHROOM CEILING -KUZCO -Dalton fm7920 WHITE ORGANZA X 2 PRINCIPAL ENSUITE BATHROOM VANITY ALORA- Revolve wv309022 NICKLE X 2 WIC'S -MATTEO FLUSH MOUNT -m16613 mw WHITE X4 MAIN/SHARED AND ENSUITE 4 BATHROOM CEILINGS MATTEO FLUSH MOUNT m13002ch CHROME X 2 MAIN/SHARED X 2 AND ENSUITE 4 X 1 BATHROOM VANITY LIGHTS MATTEO S06103ch CHROME
1714 389,736 01Aug24 **	1.0	KITCHEN - GRANITE - GRANITE CUTOUT w/ STRAIGHT EDGE POLISH TO ACCOMMODATE COOK TOP  FOR 36" COOKTOP SKETCH # 10 SEE COOKTOP SPECS

### EXTERIOR BRICK

Invoice	Qty.	Description
1709  22Jun24 ** NoCat	1.0	- This House requires a Rear Elevation Upgrade Due to Architect Control. Model 39-3123 B The Pinehurst.
1709  22Jun24 ** NoCat	1.0	- This is a Deck Grading Condition that includes a deck with steps to grade. Model 39-3123 B The Pinehurst.
01Aug24 ** NoCat	1.0	FINISHED BASEMENT FAMILY (REC) ROOM - "SPACES" FINISHED LOWER LEVEL TO INCLUDE "KITCHETTE" WITH FRIDGE, MICROWAVE AND STACKED WASHER /DRYER AND LOCK ON PATIO DOOR  SPECIAL PLAN WINDOWS TO REMAIN AS PER DECK LOT SKETCH # 7 AND 8 SEE APPLIANCE SPECS

### EXTERIOR CAULKING

Invoice	Qty.	Description
01Aug24 ** NoCat	1.0	FINISHED BASEMENT FAMILY (REC) ROOM - "SPACES" FINISHED LOWER LEVEL TO INCLUDE "KITCHETTE" WITH FRIDGE, MICROWAVE AND STACKED WASHER /DRYER AND LOCK ON PATIO DOOR  SPECIAL PLAN WINDOWS TO REMAIN AS PER DECK LOT SKETCH # 7 AND 8 SEE APPLIANCE SPECS

### EXTERIOR STUCCO

Invoice	Qty.	Description
1709  22Jun24 ** NoCat	1.0	- This House requires a Rear Elevation Upgrade Due to Architect Control. Model 39-3123 B The Pinehurst.



## CONSTRUCTION SUMMARY

**Lot: 7169**  
**Model: 39-3123 B The Pinehurst**  
**Project/Phase: Country Lane / 7**

### FIREPLACE AND MANTLE

Invoice	Qty.	Description
1714 390,216 01Aug24	1.0	- FIREPLACE AND MANTLE - UPGRADE FROM MARBLE TO GRANITE 3 PIECE 4" SURROUND
1714 389,718 01Aug24	1.0	- FIREPLACE AND MANTLE - UPGRADE TO NF-8 WHITE PAINT GRADE MANTLE (NO MARBLE SURROUND UNLESS ON FLAT WALL)  <b>DRYWALL-notify; ELECTRICAL-notify; FRAMING-notify; HEATING-notify; INTERIOR TRIM-notify; PAINTING-Paint Upgraded Mantle</b>

### FORMING

Invoice	Qty.	Description
1714  01Aug24 ** NoCat	1.0	FINISHED BASEMENT FAMILY (REC) ROOM - "SPACES" FINISHED LOWER LEVEL TO INCLUDE "KITCHETTE" WITH FRIDGE, MICROWAVE AND STACKED WASHER /DRYER AND LOCK ON PATIO DOOR  SPECIAL PLAN WINDOWS TO REMAIN AS PER DECK LOT SKETCH # 7 AND 8 SEE APPLIANCE SPECS



## CONSTRUCTION SUMMARY

**Lot: 7169**  
**Model: 39-3123 B The Pinehurst**  
**Project/Phase: Country Lane / 7**

### FRAMING

Invoice	Qty.	Description
1668 395,427 22Jun24 **	1.0	- Waffle Ceiling - Install Waffle Ceiling. Coffered ceiling is standard - GREAT ROOM - UPG  <b>DRYWALL-Standard Smooth Ceiling inside waffles;FRAMING-Strap Ceiling for Potlights;PAINTING-Paint mou (6)</b>
1668 390,276 22Jun24 **	1.0	KITCHEN - CABINETY-A11-UPPER ANGLE CORNER PER UNIT VIKING  FOR BULKHEAD PURPOSES SKETCH # 5 <b>DRYWAL-Notify; FRAMING-Notify; PAINTING-Notify</b>
1668  22Jun24 ** NoCat	1.0	KITCHEN/BREAKFAST - OPTIONAL DESK AND PANTRY (FOR BULKHEAD PURPOSES) TO BE CHARGE WITH COMPLETED COLOUR CHART SKETCH # 5  <b>DRYWAL-Notify; FRAMING-Notify; PAINTING-Notify</b>
1668 395,461 22Jun24 **	1.0	- CLASSIC COLLECTION SCHEDULE A - Choice of 20 LED pot lights (3000K) in finished areas (Second Floor Potlight(s) Require Smooth Ceiling) DRYWALL-Drywall Ceiling cutouts for potlights FRAMING-Frame to accommodate potlights 6 X FINISHED BASEMENT REC ROOM USE STANDARD SWITCH ( DELETE 2 STANDARD LIGHTS) 4 X FINISHED BASEMENT HALL USE STANDARD 3 WAY SWITCH ( DELETE 2 STANDARD LIGHTS) 6 X GREAT ROOM WITH SEPARATE SWITCH, 4 X MAIN FLOOR DEN WITH SEPARATE SWITCH SEE SKETCH # 4 AND 5
1709  22Jun24 ** NoCat	1.0	- This House requires a Rear Elevation Upgrade Due to Architect Control. Model 39-3123 B The Pinehurst.
1709  22Jun24 ** NoCat	1.0	- This is a Deck Grading Condition that includes a deck with steps to grade. Model 39-3123 B The Pinehurst.
1714  01Aug24 ** NoCat	1.0	KITCHEN - KITCHEN - CABINETY - OPT. PANTRY AND CHEF DESK - CLASSIC PLUS - UPG  SKETCH # 9 AND 10 <b>DRYWAL-Notify; FRAMING-Modify Bulkhead; PAINTING-Notify</b>
1714  01Aug24 ** NoCat	1.0	FINISHED BASEMENT FAMILY (REC) ROOM - "SPACES" FINISHED LOWER LEVEL TO INCLUDE "KITCHETTE" WITH FRIDGE, MICROWAVE AND STACKED WASHER /DRYER AND LOCK ON PATIO DOOR  SPECIAL PLAN WINDOWS TO REMAIN AS PER DECK LOT SKETCH # 7 AND 8 SEE APPLIANCE SPECS
1714 389,718 01Aug24 **	1.0	- FIREPLACE AND MANTLE - UPGRADE TO NF-8 WHITE PAINT GRADE MANTLE (NO MARBLE SURROUND UNLESS ON FLAT WALL)  <b>DRYWALL-notify; ELECTRICAL-notify; FRAMING-notify; HEATING-notify; INTERIOR TRIM-notify; PAINTING-Paint Upgraded Mantle</b>
1714 390,361 01Aug24 **	1.0	KITCHEN - CABINETY-CLASSIC PLUS-OPT. BUILT-INS + B08 INCLUDING SOFT-CLOSE TANDEMBOX POTS AND PANS (2) DRAWERS (WIDTH MIN. 60CM/MAX. 90CM) (SIZE SUBJECT TO FLOOR PLAN)-UPG  SKETCH # 10 SEE APPLIANCE SPECS <b>DRYWAL-Notify; FRAMING-Modify Bulkhead; GRANITE-delete partial countertop due to Built-in; PAINTING-</b>



## CONSTRUCTION SUMMARY

**Lot: 7169**  
**Model: 39-3123 B The Pinehurst**  
**Project/Phase: Country Lane / 7**

### GLASS PRODUCTS / MIRRORS

Invoice	Qty.	Description
1714 01Aug24 ** NoCat	1.0	FINISHED BASEMENT FAMILY (REC) ROOM - "SPACES" FINISHED LOWER LEVEL TO INCLUDE "KITCHETTE" WITH FRIDGE, MICROWAVE AND STACKED WASHER /DRYER AND LOCK ON PATIO DOOR SPECIAL PLAN WINDOWS TO REMAIN AS PER DECK LOT SKETCH # 7 AND 8 SEE APPLIANCE SPECS
1714 01Aug24 NoCat	1.0	ENSUITE 4 - SUPPLY AND INSTALL FRAMELESS GLASS SHOWER ENCLOSURE WITH CHROME HINGES AND "D" HANDLE





## CONSTRUCTION SUMMARY

**Lot: 7169**  
**Model: 39-3123 B The Pinehurst**  
**Project/Phase: Country Lane / 7**

### GRANITE

Invoice	Qty.	Description
1714 01Aug24 NoCat	1.0	KITCHEN - GRANITE - KITCHEN - COUNTERTOP GROUP 6 QUARTZ 3/4 WITH BUILT UP EDGE - 6
1714 01Aug24 NoCat	6.0	LAUNDRY ROOM - GRANITE - LAUNDRY ROOM - ADD COUNTERTOP GROUP 1 SINGLE POLISHED STRAIGHT EDGE - UPG
1714 01Aug24 NoCat	1.0	MASTER ENSUITE - GRANITE - MASTER ENSUITE - COUNTERTOP GROUP 6 QUARTZ 3/4 WITH BUILT UP EDGE - 6 <b>CABINETRY-delete std countertop; GRANITE-see upgraded single hole faucet and undermount sink</b>
1714 01Aug24 NoCat	1.0	SHARED BATHROOM - GRANITE - SHARED BATHROOM - COUNTERTOP GROUP 6 QUARTZ 3/4 WITH BUILT UP EDGE - 6 <b>CABINETRY-delete std countertop; GRANITE-see upgraded single hole faucet and undermount sink</b>
1714 01Aug24 NoCat	1.0	ENSUITE 4 - GRANITE - ENSUITE 4 - COUNTERTOP GROUP 3 QUARTZ 3/4 WITH BUILT UP EDGE - 3 <b>CABINETRY-delete std countertop; GRANITE-see upgraded single hole faucet and undermount sink</b>
1714 01Aug24 NoCat	1.0	FINISHED BASEMENT BATHROOM - GRANITE - FINISHED BASEMENT BATHROOM - COUNTERTOP GROUP 1 -3/4 -STD STRAIGHT EDGE UPG <b>CABINETRY-delete std countertop; GRANITE-see upgraded single hole faucet and undermount sink</b>
1714 389,858 01Aug24 **	1.0	KITCHEN - PLUMBING - KITCHEN SINK UPGRADE - BLANCO KITCHEN SINK PRECIS U SUPER SINGLE (32 INCH X 19 INCH ) UNDERMOUNT 1 LARGE BOWL 9-1/2 INCH DEEP - COLOUR: ANTHRACITE MODEL#400890 SEE SPEC <b>CABINETRY-upgraded kitchen sink; GRANITE-upgraded kitchen sink</b>
1714 395,462 01Aug24 **	1.0	LAUNDRY ROOM - PLUMBING-BOSCO LAUNDRY TUB MODEL T207004 18 IN X 16 IN X 10 IN DEEP SEE SPECS <b>CABINETRY-delete std countertop; GRANITE-see upgraded single hole faucet and undermount sink</b>
1714 389,822 01Aug24 **	1.0	ENSUITE 4 - PLUMBING - AMERICAN STANDARD - SINK - UNDERMOUNT SINK - BOXE - WHITE - MODEL 0315 000 020 SEE SPEC <b>GRANITE-see upgraded undermount sink specs</b>
1714 389,826 01Aug24 **	3.0	- PLUMBING - AMERICAN STANDARD - SINK OPTIONS - UNDERMOUNT SINK - OVALYN MODEL 0496 221 020" (19 " INCH X 16 " INCH) - 2 X SHARED BATHROOM AND 1 X FINISHED LOWER LEVEL BATHROOM - SEE SINK SPECS <b>GRANITE-see upgraded undermount sink specs</b>
1714 389,827 01Aug24 **	2.0	MASTER ENSUITE - PLUMBING - AMERICAN STANDARD - SINK OPTIONS - UNDERMOUNT SINK - STUDIO - WHITE - MODEL 0614 000 020 ( 21 " INCH X 15 " INCH) - SEE SPEC <b>GRANITE-see upgraded undermount sink specs</b>
1714 01Aug24 ** NoCat	1.0	FINISHED BASEMENT FAMILY (REC) ROOM - "SPACES" FINISHED LOWER LEVEL TO INCLUDE "KITCHETTE" WITH FRIDGE, MICROWAVE AND STACKED WASHER /DRYER AND LOCK ON PATIO DOOR SPECIAL PLAN WINDOWS TO REMAIN AS PER DECK LOT SKETCH # 7 AND 8 SEE APPLIANCE SPECS
1714 390,361 01Aug24 **	1.0	KITCHEN - CABINETRY-CLASSIC PLUS-OPT. BUILT-INS + B08 INCLUDING SOFT-CLOSE TANDEMBOX POTS AND PANS (2) DRAWERS (WIDTH MIN. 60CM/MAX. 90CM) (SIZE SUBJECT TO FLOOR PLAN)-UPG SKETCH # 10 SEE APPLIANCE SPECS <b>DRYWAL-Notify; FRAMING-Modify Bulkhead; GRANITE-delete partial countertop due to Built-in; PAINTING-</b>



## CONSTRUCTION SUMMARY

**Lot: 7169**  
**Model: 39-3123 B The Pinehurst**  
**Project/Phase: Country Lane / 7**

### GRANITE

Invoice	Qty.	Description
1714 389,736 01Aug24	1.0	KITCHEN - GRANITE - GRANITE CUTOUT w/ STRAIGHT EDGE POLISH TO ACCOMMODATE COOK TOP  FOR 36" COOKTOP SKETCH # 10 SEE COOKTOP SPECS
1714 389,737 01Aug24	1.0	LAUNDRY ROOM - GRANITE - GRANITE CUTOUT WITH STRAIGHT EDGE POLISH TO ACCOMMODATE UNDER MOUNT KITCHEN/LAUNDRY SINK  SKETCH #'S 11 AND 12 SEE SINK SPEC FOR BOSCO LAUNDRY SINK
1714 389,738 01Aug24	6.0	- GRANITE - GRANITE CUTOUT WITH STRAIGHT EDGE POLISH TO ACCOMMODATE UNDER MOUNT VANITY SINK  FOR 2 X PRINCIPAL ENUSITE 2 X SHARED/MAIN BATH SINKS, 1 X ENSUITE 4 SINK AND 1 X FINISHED BASEMENT BATHROOM SKETCH # 11 AND 12 SEE SINK SPECS NOTE: KITCHEN AND "SPACES" KITCHENETTE HAVE STANDARD CUT OUT INCLUDED

### HARDWOOD

Invoice	Qty.	Description
1714 01Aug24 NoCat	1.0	KITCHEN - HARDWOOD - KITCHEN - RED OAK 3/4 X 5 - UPG  <b>CABINETRY-Raise Cabinet; CERAMICS-Delete Std Ceramics</b>
1714 01Aug24 NoCat	1.0	MASTER BEDROOM - HARDWOOD - MASTER BEDROOM - RED OAK 3/4 X 5 - 4 - UPG  <b>CARPET-delete std carpet; INTERIOR TRIM-supply and install quarter rounds; PAINTING-paint quarter round</b>
1714 01Aug24 NoCat	1.0	BEDROOM 2 - HARDWOOD - BEDROOM 2 - RED OAK 3/4 X 5 - 4 - UPG  <b>CARPET-delete std carpet; INTERIOR TRIM-supply and install quarter rounds; PAINTING-paint quarter round</b>
1714 01Aug24 NoCat	1.0	BEDROOM 3 - HARDWOOD - BEDROOM 3 - RED OAK 3/4 X 5 - 4 - UPG  <b>CARPET-delete std carpet; INTERIOR TRIM-supply and install quarter rounds; PAINTING-paint quarter round</b>
1714 01Aug24 NoCat	1.0	BEDROOM 4 - HARDWOOD - BEDROOM 4 - RED OAK 3/4 X 5 - 4 - UPG  <b>CARPET-delete std carpet; INTERIOR TRIM-supply and install quarter rounds; PAINTING-paint quarter round</b>



## CONSTRUCTION SUMMARY

**Lot: 7169**  
**Model: 39-3123 B The Pinehurst**  
**Project/Phase: Country Lane / 7**

### HEATING / AIR CONDITIONING

Invoice	Qty.	Description
1668 389,800 22Jun24	1.0	KITCHEN - HEATING/AIR - ROUGH-IN GAS LINE FOR GAS STOVE AT MAIN FLOOR (SEE SPECS) (HOOK-UP NOT INCLUDED) LEAVE STANDARD 120 VOLT ELECTRICAL OUTLET ON A SEPARATE CIRCUIT. * SPECIFY IF STANDARD 220V WILL STAY OR BE RELOCATED 220 V ( 240V 40AMP) TO REMAIN SEE SKETCH # 5 <b>ELECTRICAL-Notify</b>
1668 389,796 22Jun24	1.0	- HEATING/AIR - ROUGH-IN GAS LINE FOR BBQ AT MAIN FLOOR UP TO 40 FT (QUICK CONNECT NOT INCLUDED); ELECTRICAL OUTLET PRICED SEPARATELY IF REQUIRED  SKETCH # 5
1714 389,466 01Aug24 **	1.0	KITCHEN - APPLIANCES - KITCHENAID 36 INCH CHIMNEY HOOD BLACK SS - KVWB606HBS  SEE SPEC <b>CABINETS-delete stove uppers; ELECTRICAL-Notify; HEATING/AIR CONDITIONING-Duct Size remains 6</b>
1714 01Aug24 ** NoCat	1.0	FINISHED BASEMENT FAMILY (REC) ROOM - "SPACES" FINISHED LOWER LEVEL TO INCLUDE "KITCHETTE" WITH FRIDGE, MICROWAVE AND STACKED WASHER /DRYER AND LOCK ON PATIO DOOR  SPECIAL PLAN WINDOWS TO REMAIN AS PER DECK LOT SKETCH # 7 AND 8 SEE APPLIANCE SPECS
1714 389,718 01Aug24 **	1.0	- FIREPLACE AND MANTLE - UPGRADE TO NF-8 WHITE PAINT GRADE MANTLE (NO MARBLE SURROUND UNLESS ON FLAT WALL)  <b>DRYWALL-notify; ELECTRICAL-notify; FRAMING-notify; HEATING-notify; INTERIOR TRIM-notify; PAINTING-Paint Upgraded Mantle</b>

### INTERIOR RAILINGS

Invoice	Qty.	Description
1714 01Aug24 ** NoCat	1.0	FINISHED BASEMENT FAMILY (REC) ROOM - "SPACES" FINISHED LOWER LEVEL TO INCLUDE "KITCHETTE" WITH FRIDGE, MICROWAVE AND STACKED WASHER /DRYER AND LOCK ON PATIO DOOR  SPECIAL PLAN WINDOWS TO REMAIN AS PER DECK LOT SKETCH # 7 AND 8 SEE APPLIANCE SPECS

### INTERIOR STAIRS

Invoice	Qty.	Description
1714 01Aug24 ** NoCat	1.0	FINISHED BASEMENT FAMILY (REC) ROOM - "SPACES" FINISHED LOWER LEVEL TO INCLUDE "KITCHETTE" WITH FRIDGE, MICROWAVE AND STACKED WASHER /DRYER AND LOCK ON PATIO DOOR  SPECIAL PLAN WINDOWS TO REMAIN AS PER DECK LOT SKETCH # 7 AND 8 SEE APPLIANCE SPECS



## CONSTRUCTION SUMMARY

**Lot: 7169**  
**Model: 39-3123 B The Pinehurst**  
**Project/Phase: Country Lane / 7**

### INTERIOR TRIM AND DOORS

Invoice	Qty.	Description
1714 01Aug24 ** NoCat	1.0	MASTER BEDROOM - HARDWOOD - MASTER BEDROOM - RED OAK 3/4 X 5 - 4 - UPG  <b>CARPET-delete std carpet; INTERIOR TRIM-supply and install quarter rounds; PAINTING-paint quarter round</b>
1714 01Aug24 ** NoCat	1.0	BEDROOM 2 - HARDWOOD - BEDROOM 2 - RED OAK 3/4 X 5 - 4 - UPG  <b>CARPET-delete std carpet; INTERIOR TRIM-supply and install quarter rounds; PAINTING-paint quarter round</b>
1714 01Aug24 ** NoCat	1.0	BEDROOM 3 - HARDWOOD - BEDROOM 3 - RED OAK 3/4 X 5 - 4 - UPG  <b>CARPET-delete std carpet; INTERIOR TRIM-supply and install quarter rounds; PAINTING-paint quarter round</b>
1714 01Aug24 ** NoCat	1.0	BEDROOM 4 - HARDWOOD - BEDROOM 4 - RED OAK 3/4 X 5 - 4 - UPG  <b>CARPET-delete std carpet; INTERIOR TRIM-supply and install quarter rounds; PAINTING-paint quarter round</b>
1714 01Aug24 ** NoCat	1.0	FINISHED BASEMENT FAMILY (REC) ROOM - "SPACES" FINISHED LOWER LEVEL TO INCLUDE "KITCHETTE" WITH FRIDGE, MICROWAVE AND STACKED WASHER /DRYER AND LOCK ON PATIO DOOR  SPECIAL PLAN WINDOWS TO REMAIN AS PER DECK LOT SKETCH # 7 AND 8 SEE APPLIANCE SPECS
1714 389,718 01Aug24 **	1.0	- FIREPLACE AND MANTLE - UPGRADE TO NF-8 WHITE PAINT GRADE MANTLE (NO MARBLE SURROUND UNLESS ON FLAT WALL)  <b>DRYWALL-notify; ELECTRICAL-notify; FRAMING-notify; HEATING-notify; INTERIOR TRIM-notify; PAINTING-Paint Upgraded Mantle</b>

### LUMBER

Invoice	Qty.	Description
1709 22Jun24 ** NoCat	1.0	- This House requires a Rear Elevation Upgrade Due to Architect Control. Model 39-3123 B The Pinehurst.
1714 01Aug24 ** NoCat	1.0	FINISHED BASEMENT FAMILY (REC) ROOM - "SPACES" FINISHED LOWER LEVEL TO INCLUDE "KITCHETTE" WITH FRIDGE, MICROWAVE AND STACKED WASHER /DRYER AND LOCK ON PATIO DOOR  SPECIAL PLAN WINDOWS TO REMAIN AS PER DECK LOT SKETCH # 7 AND 8 SEE APPLIANCE SPECS



## CONSTRUCTION SUMMARY

**Lot: 7169**  
**Model: 39-3123 B The Pinehurst**  
**Project/Phase: Country Lane / 7**

### PAINTING

Invoice	Qty.	Description
1668 395,428 22Jun24 **	1.0	- DRYWALL - SMOOTH CEILINGS - SECOND FLOOR - UPG  <b>ELECTRICAL-Drop electrical boxes; PAINTING-Paint smooth ceiling</b>
1668 395,429 22Jun24 **	1.0	- DRYWALL - SMOOTH CEILINGS - BASEMENT - UPG  <b>PAINTING-Paint smooth ceiling</b>
1668 395,427 22Jun24 **	1.0	- Waffle Ceiling - Install Waffle Ceiling. Coffered ceiling is standard - GREAT ROOM - UPG  <b>DRYWALL-Standard Smooth Ceiling inside waffles;FRAMING-Strap Ceiling for Potlights;PAINTING-Paint mou (6)</b>
1668 390,276 22Jun24 **	1.0	KITCHEN - CABINETY-A11-UPPER ANGLE CORNER PER UNIT VIKING  FOR BULKHEAD PURPOSES SKETCH # 5 <b>DRYWAL-Notify; FRAMING-Notify; PAINTING-Notify</b>
1668 22Jun24 ** NoCat	1.0	KITCHEN/BREAKFAST - OPTIONAL DESK AND PANTRY (FOR BULKHEAD PURPOSES) TO BE CHARGE WITH COMPLETED COLOUR CHART SKETCH # 5 <b>DRYWAL-Notify; FRAMING-Notify; PAINTING-Notify</b>
1714 01Aug24 ** NoCat	1.0	MASTER BEDROOM - HARDWOOD - MASTER BEDROOM - RED OAK 3/4 X 5 - 4 - UPG  <b>CARPET-delete std carpet; INTERIOR TRIM-supply and install quarter rounds; PAINTING-paint quarter round</b>
1714 01Aug24 ** NoCat	1.0	BEDROOM 2 - HARDWOOD - BEDROOM 2 - RED OAK 3/4 X 5 - 4 - UPG  <b>CARPET-delete std carpet; INTERIOR TRIM-supply and install quarter rounds; PAINTING-paint quarter round</b>
1714 01Aug24 ** NoCat	1.0	BEDROOM 3 - HARDWOOD - BEDROOM 3 - RED OAK 3/4 X 5 - 4 - UPG  <b>CARPET-delete std carpet; INTERIOR TRIM-supply and install quarter rounds; PAINTING-paint quarter round</b>
1714 01Aug24 ** NoCat	1.0	BEDROOM 4 - HARDWOOD - BEDROOM 4 - RED OAK 3/4 X 5 - 4 - UPG  <b>CARPET-delete std carpet; INTERIOR TRIM-supply and install quarter rounds; PAINTING-paint quarter round</b>
1714 01Aug24 ** NoCat	1.0	KITCHEN - KITCHEN - CABINETY - OPT. PANTRY AND CHEF DESK - CLASSIC PLUS - UPG  SKETCH # 9 AND 10 <b>DRYWAL-Notify; FRAMING-Modify Bulkhead; PAINTING-Notify</b>
1714 01Aug24 ** NoCat	1.0	FINISHED BASEMENT FAMILY (REC) ROOM - "SPACES" FINISHED LOWER LEVEL TO INCLUDE "KITCHETTE" WITH FRIDGE, MICROWAVE AND STACKED WASHER /DRYER AND LOCK ON PATIO DOOR  SPECIAL PLAN WINDOWS TO REMAIN AS PER DECK LOT SKETCH # 7 AND 8 SEE APPLIANCE SPECS
1714 389,718 01Aug24 **	1.0	- FIREPLACE AND MANTLE - UPGRADE TO NF-8 WHITE PAINT GRADE MANTLE (NO MARBLE SURROUND UNLESS ON FLAT WALL)  <b>DRYWALL-notify; ELECTRICAL-notify; FRAMING-notify; HEATING-notify; INTERIOR TRIM-notify; PAINTING-Paint Upgraded Mantle</b>



## CONSTRUCTION SUMMARY

**Lot: 7169**  
**Model: 39-3123 B The Pinehurst**  
**Project/Phase: Country Lane / 7**

### PAINTING

Invoice Qty. Description

Invoice	Qty.	Description
1714 390,361 01Aug24 **	1.0	KITCHEN - CABINETS-CLASSIC PLUS-OPT. BUILT-INS + B08 INCLUDING SOFT-CLOSE TANDEMBOX POTS AND PANS (2) DRAWERS (WIDTH MIN. 60CM/MAX. 90CM) (SIZE SUBJECT TO FLOOR PLAN)-UPG SKETCH # 10 SEE APPLIANCE SPECS <b>DRYWAL-Notify; FRAMING-Modify Bulkhead; GRANITE-delete partial countertop due to Built-in; PAINTING-</b>



## CONSTRUCTION SUMMARY

**Lot: 7169**  
**Model: 39-3123 B The Pinehurst**  
**Project/Phase: Country Lane / 7**

### PLUMBING

Invoice	Qty.	Description
1668 389,456 22Jun24	1.0	MASTER ENSUITE - PLUMBING - MOEN -CHATEAU - POSI-TEMP SHOWER WITH 3 FUNCTION DIVERTER VALVE, SLIDE BAR WITH HANDHELD (MODEL: 62320/U361CI/UT2721/TL182EP/3669EP/A725)  SEE SPEC FOR UPGRADED TRIM BRANTFORD
1714 389,910 01Aug24	1.0	KITCHEN - PLUMBING - MOEN -ALIGN - KITCHEN - SINGLE HANDLE PULLDOWN KITCHEN FAUCET BL MATTE BLACK (MODEL: 7565 BL) -  SEE SPEC
1714 389,858 01Aug24	1.0	KITCHEN - PLUMBING - KITCHEN SINK UPGRADE - BLANCO KITCHEN SINK PRECIS U SUPER SINGLE (32 INCH X 19 INCH ) UNDERMOUNT 1 LARGE BOWL 9-1/2 INCH DEEP - COLOUR: ANTHRACITE MODEL#400890  SEE SPEC <b>CABINENTRY-upgraded kitchen sink; GRANITE-upgraded kitchen sink</b>
1714 01Aug24 NoCat	1.0	MASTER ENSUITE - SUPPLY AND INSTALL MOEN BRANTFORD BRUSHED NICKEL FAUCETS AND ACCESSORIES FOR MODEL HOME  2 X TWO HANDLE WIDESPREAD LAV FAUCETS WITH LIFT ROD DRAIN MODEL T6620/6900 BN 1 X TWO HANDLE ROMAN TUB FAUCET MODEL T933/4796 BN 1 X POSI TEMP SHOWER ONLY WITH 3 FUNCTION TRANSFER VALVE/TRIM AND SLIDE BAR WITH HAND HELD SHOWER MODEL T2252EP/U361CI/UT2021/62320/3669EP/A725 BN ( Rough-in has already been done for this in Chateau) 1 x PAPER HOLDER YB2208 BN 2 X TOWEL RINGS YB2286 BN AND 1 X 24" TOWEL BAR YB2224 BN SEE SKETCH # FOR LOCATIONS AND SPECS
1714 01Aug24 NoCat	1.0	SHARED BATHROOM - SUPPLY AND INSTALL MOEN VICHY CHROME FAUCETS AND METHOD ACCESSORIES FOR MODEL HOME DISPLAY  2 X SINGLE HANDLE LAV FAUCETS MODEL 6710 1 X POSI-TEMP TUB /SHOWER FAUCET MODEL T2663EP /62320 1 X PIVOTING PAPER HOLDER MODEL YB2408CH 2 X 9" TOWEL BARS YB2486CH 1X DOUBLE ROBE HOOK YB2403CH SEE SKETCH # 10 FOR LOCATIONS SEE SPECS
1714 01Aug24 NoCat	1.0	ENSUITE 4 - SUPPLY AND INSTALL MOEN GENTA CHROME FIXTURES AND ACCESSORIES FOR MODEL HOME  1 X GENTA TWO HANDLE WIDESPREAD LAV FAUCET WITH LIFT ROD DRAIN MODEL T6708/69000 CHROME 1 X GENTA ECO PERFORMANCE POSI TEMP TUB/SHOWER FAUCET MODEL T2473EP/62320 CHROME  1 X GENTA PIVOTING PAPER HOLDER BH3808 CH 1 X GENTA HAND TOWEL BAR BH3886 CH SKETCH # 10 FOR LOCATIONS SEE SPECS
1714 01Aug24 NoCat	1.0	POWDER ROOM - SUPPLY AND INSTALL MOEN GLYDE MATTE BLACK FAUCET AND ACCESSORIES  1 X TWO HANDLE ADJUSTABLE WIDESPREAD LAV FAUET WITH LIFT ROD DRAIN MODEL T6173 /69000 BL 1 X PAPER HOLDER MODEL YB2308 BL 1 X TOWEL RING MODEL YB2386 BL SEE SKETCH # 8 FOR LOCATIONS AND SPECS
1714 395,462 01Aug24	1.0	LAUNDRY ROOM - PLUMBING-BOSCO LAUNDRY TUB MODEL T207004 18 IN X 16 IN X 10 IN DEEP  SEE SPECS <b>CABINENTRY-delete std countertop; GRANITE-see upgraded single hole faucet and undermount sink</b>
1714 389,822 01Aug24	1.0	ENSUITE 4 - PLUMBING - AMERICAN STANDARD - SINK - UNDERMOUNT SINK - BOXE - WHITE - MODEL 0315 000 020  SEE SPEC <b>GRANITE-see upgraded undermount sink specs</b>



## CONSTRUCTION SUMMARY

**Lot: 7169**  
**Model: 39-3123 B The Pinehurst**  
**Project/Phase: Country Lane / 7**

### PLUMBING

Invoice	Qty.	Description
1714 389,826 01Aug24	3.0	- PLUMBING - AMERICAN STANDARD - SINK OPTIONS - UNDERMOUNT SINK - OVALYN MODEL 0496 221 020" (19" INCH X 16" INCH) -  2 X SHARED BATHROOM AND 1 X FINISHED LOWER LEVEL BATHROOM - SEE SINK SPECS <b>GRANITE-see upgraded undermount sink specs</b>
1714 389,827 01Aug24	2.0	MASTER ENSUITE - PLUMBING - AMERICAN STANDARD - SINK OPTIONS - UNDERMOUNT SINK - STUDIO - WHITE - MODEL 0614 000 020 ( 21" INCH X 15" INCH) -  SEE SPEC <b>GRANITE-see upgraded undermount sink specs</b>
1714 389,828 01Aug24	1.0	POWDER ROOM - PLUMBING - AMERICAN STANDARD - TOILET - BOULEVARD -ONE PIECE - RIGHT HEIGHT ELONGATED (MODEL 2891 128 020) WHITE (INCLUDES SLOW CLOSE SEAT) -  SEE SPEC
1714 389,831 01Aug24	1.0	MASTER ENSUITE - PLUMBING - AMERICAN STANDARD - TOILET OPTIONS - STUDIO - CONCEALED TRAPWAY RIGHT HEIGHT ELONGATED TOILET - FLOWISE (MODEL 2794 104 020) WHITE (INCLUDES SLOW CLOSE SEAT) -  SEE SPEC
1714 01Aug24 ** NoCat	1.0	FINISHED BASEMENT FAMILY (REC) ROOM - "SPACES" FINISHED LOWER LEVEL TO INCLUDE "KITCHETTE" WITH FRIDGE, MICROWAVE AND STACKED WASHER /DRYER AND LOCK ON PATIO DOOR  SPECIAL PLAN WINDOWS TO REMAIN AS PER DECK LOT SKETCH # 7 AND 8 SEE APPLIANCE SPECS
1714 01Aug24 NoCat	1.0	FINISHED BASEMENT BATHROOM - MOEN VICHY CHROME SINGEL HANDLE LAV FAUCET WITH LIFT ROD DRAIN MODEL 6710 MEON VICHY CHROME POSI -TEMP /TUB SHOWER FAUCET MODEL T2663EP/62320 1 X METHOD PIVOTING PAPER HOLDE MODEL YB2408CH, 1 X METHOD 9" TOWEL BAR MODEL YB2486CH PROVIDED BY MOEN FOR MODEL HOME DISPLAY PURPOSES
1714 389,904 01Aug24	1.0	LAUNDRY ROOM - PLUMBING - MOEN -ALIGN - KITCHEN - SINGLE HANDLE BAR/PREP FAUCET CHROME (MODEL: 5965) -  SEE SPECS ADD PRIME LINE FOR UPG LAUNDRY FAUCET

### ROOFING

Invoice	Qty.	Description
1709 22Jun24 ** NoCat	1.0	- This House requires a Rear Elevation Upgrade Due to Architect Control. Model 39-3123 B The Pinehurst.

### SECURITY

Invoice	Qty.	Description
1668 389,567 22Jun24	2.0	- SECURITY - SECURITY CAMERA ROUGH-IN  SKETCH # 5

### STEEL

Invoice	Qty.	Description
1714 01Aug24 ** NoCat	1.0	FINISHED BASEMENT FAMILY (REC) ROOM - "SPACES" FINISHED LOWER LEVEL TO INCLUDE "KITCHETTE" WITH FRIDGE, MICROWAVE AND STACKED WASHER /DRYER AND LOCK ON PATIO DOOR  SPECIAL PLAN WINDOWS TO REMAIN AS PER DECK LOT SKETCH # 7 AND 8 SEE APPLIANCE SPECS





## CONSTRUCTION SUMMARY

**Lot: 7169**  
**Model: 39-3123 B The Pinehurst**  
**Project/Phase: Country Lane / 7**

### STRUCTURED WIRING

Invoice	Qty.	Description
1668 389,571 22Jun24	2.0	- STRUCTURED WIRING - CONDUIT PIPE TO ABOVE FIREPLACE ROUGH-IN  1 X RECREATION ROOM 70" +/- ABOVE ELECTRIC FIREPLACE AND 1 X GREAT ROOM 70" +/- ABOVE GAS FIREPLACE STO STANDARD CABLE LOCATION SKETCH # 4 AND 5
1714 389,572 01Aug24	5.0	- STRUCTURED WIRING - DATA LINE ROUGH-IN CAT6  INSTALL 5 X DATA LINE R/i CAT 6 - FINISHED LOWER LEVEL 1 X BEDROOM 5 , 1 X HALL , 1 X MAIN FLOOR DEN AND 2 X MAIN FLOOR HALL NICHE SKETCH # 7 AND 9
1714 389,575 01Aug24	5.0	- STRUCTURED WIRING - PAIR OF SPEAKERS (ROUGH-IN ONLY)  INSTALL PAIR OF SPEAKER R/I 'S IN PARLOUR, DINING ROOM, KITCHEN, BREAKFAST ROOM AND GREAT ROOM TO TERMINATE IN UNFINISHED UTILITY ROOM SKETCH # 9

### WAFFLE CEILING

Invoice	Qty.	Description
1668 395,427 22Jun24	1.0	- Waffle Ceiling - Install Waffle Ceiling. Coffered ceiling is standard - GREAT ROOM - UPG  <b>DRYWALL-Standard Smooth Ceiling inside waffles;FRAMING-Strap Ceiling for Potlights;PAINTING-Paint mou</b> <b>(6)</b>

### WINDOWS

Invoice	Qty.	Description
1709  22Jun24 ** NoCat	1.0	- This House requires a Rear Elevation Upgrade Due to Architect Control. Model 39-3123 B The Pinehurst.
1714  01Aug24 ** NoCat	1.0	FINISHED BASEMENT FAMILY (REC) ROOM - "SPACES" FINISHED LOWER LEVEL TO INCLUDE "KITCHETTE" WITH FRIDGE, MICROWAVE AND STACKED WASHER /DRYER AND LOCK ON PATIO DOOR  SPECIAL PLAN WINDOWS TO REMAIN AS PER DECK LOT SKETCH # 7 AND 8 SEE APPLIANCE SPECS

Project: Country Lane  
Unit: 7169, Phase: 7  
Model: 39-3123 B The Pinehurst

# 34 of 108



## 39-3123 B FRONT

## The Pinehurst

Sketch #1



GARAGE LEFT.

Project: Country Lane  
Unit: 7169, Phase: 7  
Model: 39-3123 B The Pinehurst

# 35 of 108



## 39-3123 B BACK

## The Pinehurst

Sketch #2



Project: Country Lane  
Unit: 7169, Phase: 7  
Model: 39-3123 B The Pinehurst

# 36 of 108

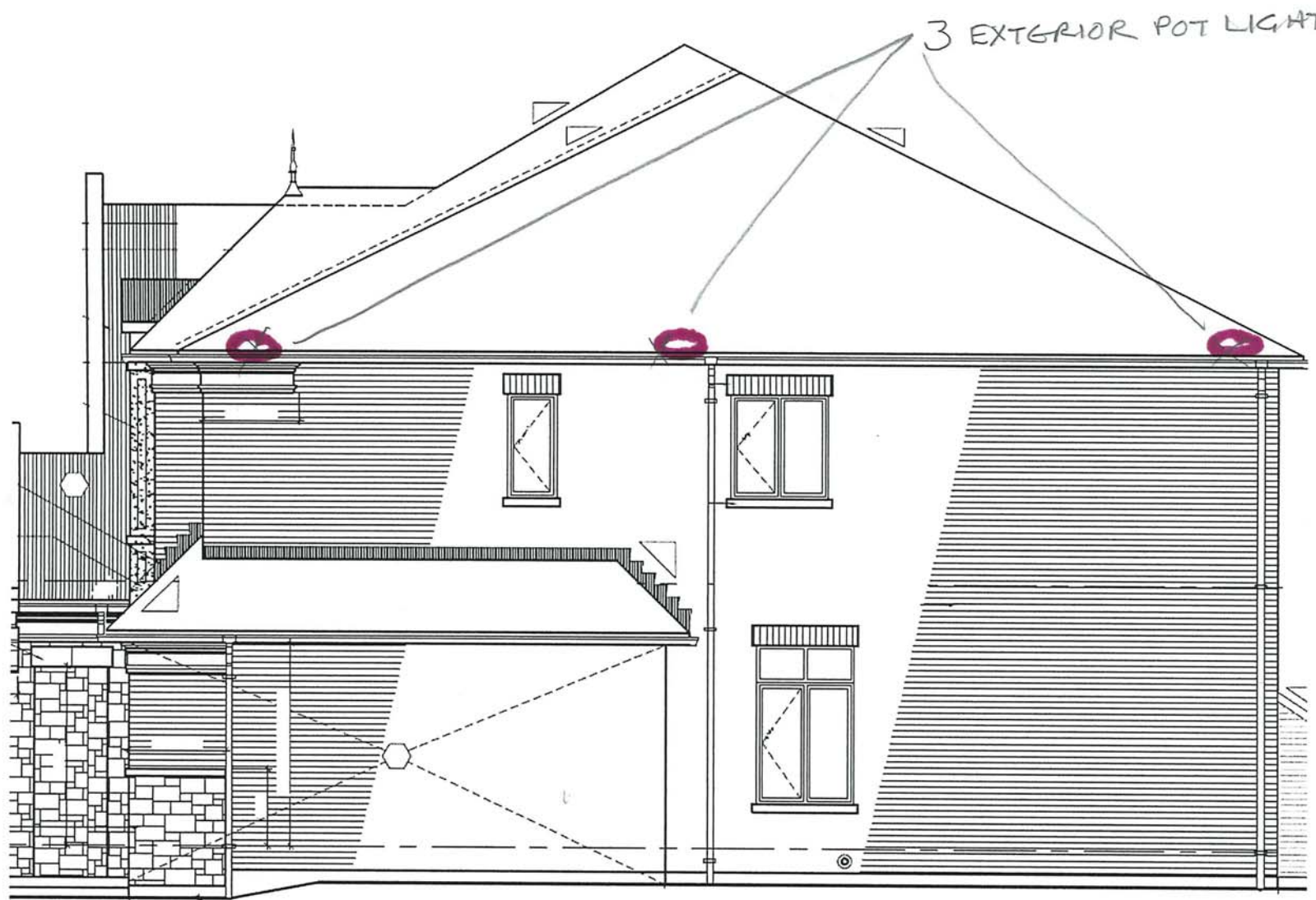


39-3123 A

## The Pinehurst

Sketch #3

3 EXTERIOR POT LIGHTS



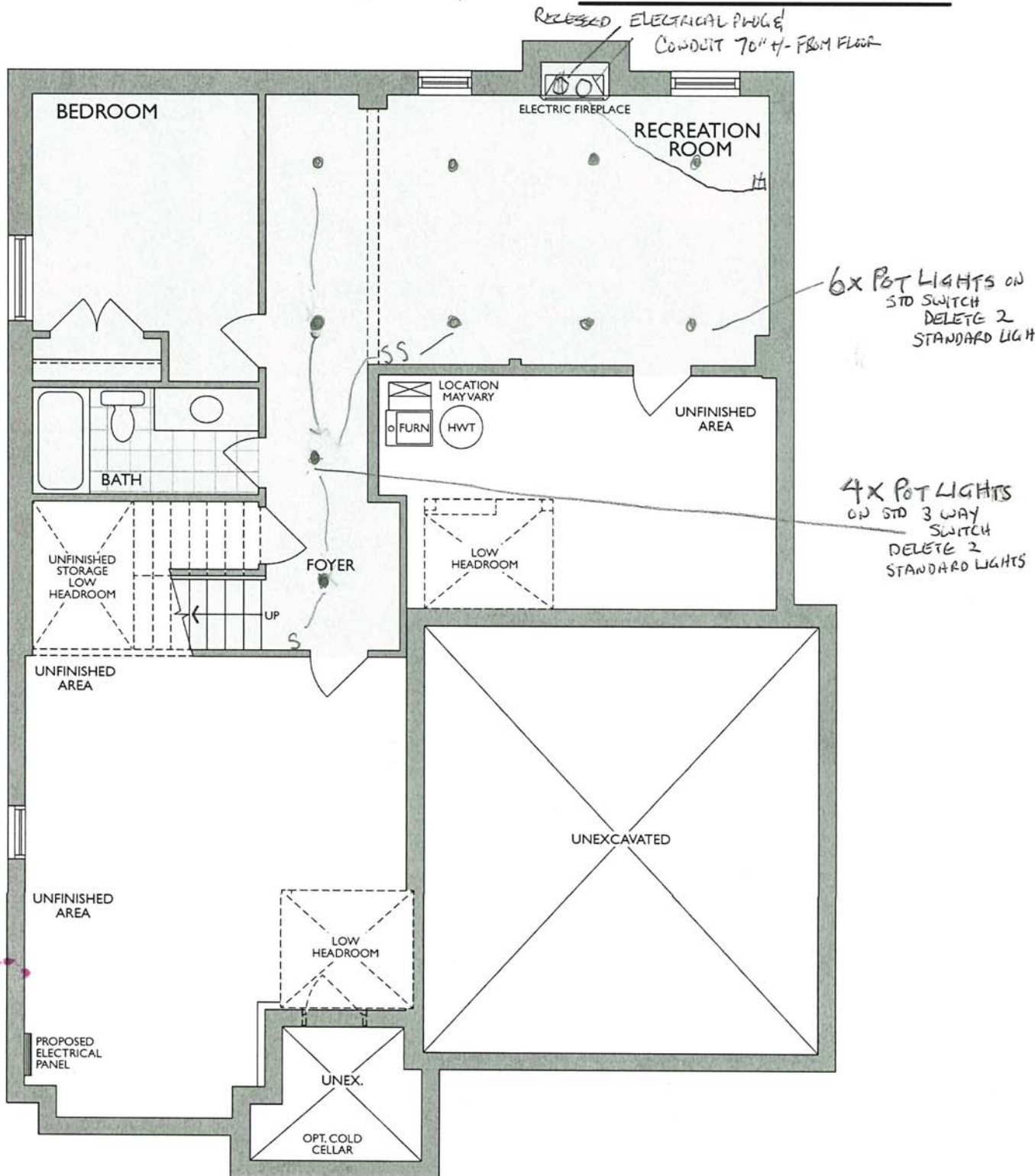
GARAGE LEFT.



## 39-3123 ELEV. B

## The Pinehurst

Sketch # 4



FINISHED LOWER LEVEL  
ELEV. B

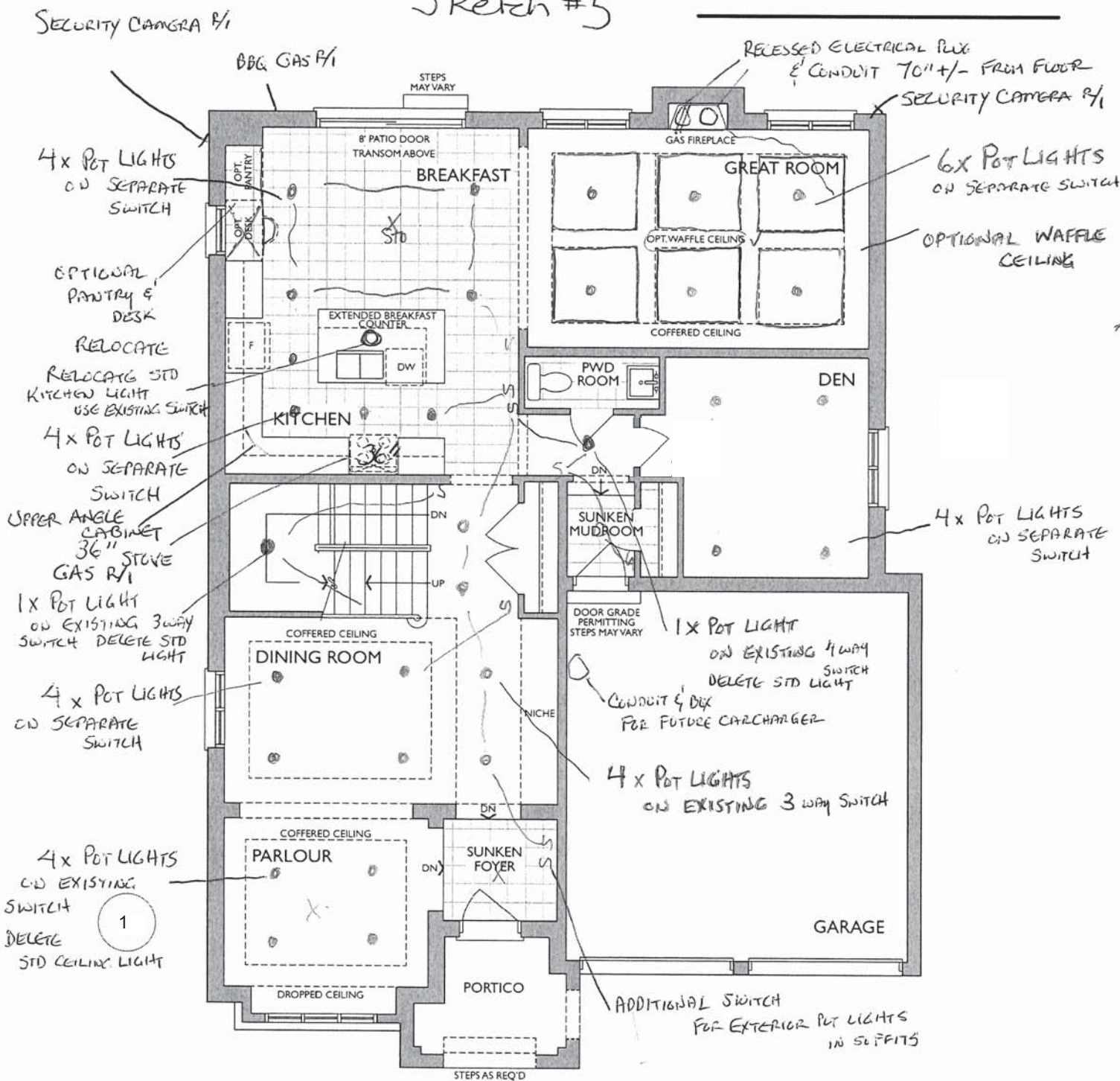
\* Floor plan may vary due to grading conditions.



## 39-3123 ELEV. B

## The Pinehurst

Sketch #5



MAIN LEVEL  
 ELEV. B

Change made to match the Architectural plan:

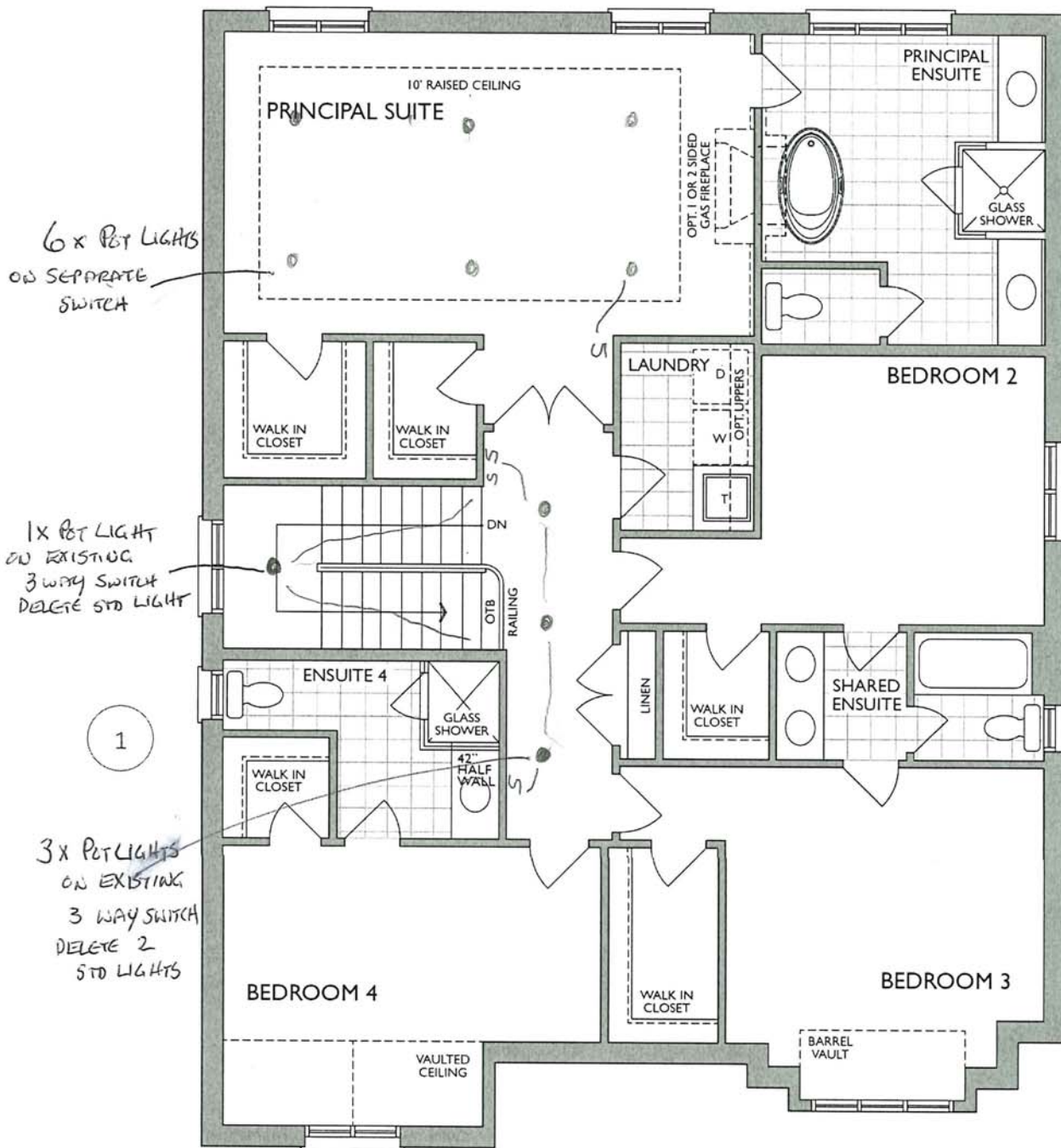
1. Modified front door swing



## 39-3123 ELEV. B

Sketch #6

## The Pinehurst



SECOND LEVEL  
ELEV. B

**Changes made to match the Architectural plan:**

- 1. Half wall in ensuite 4

\* Floor plan may vary due to grading conditions.

**TRADITIONS**  
OF COUNTRY LANE

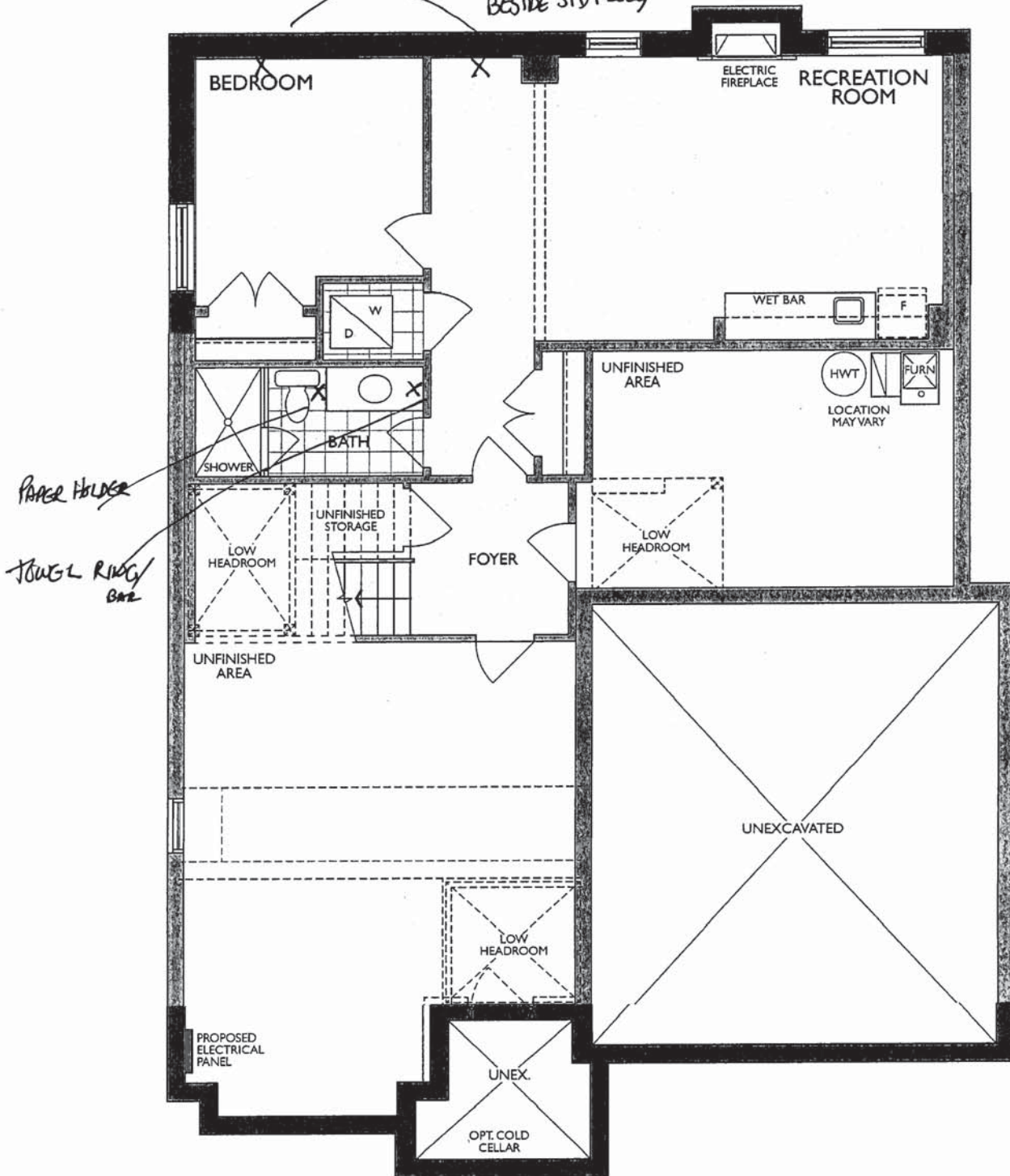
## 39-3123 ELEV. B

# The Pinehurst

### Lot 7169

Sketch #7

2x DATA CAT 6 RJ  
BESIDE STD PLUGG



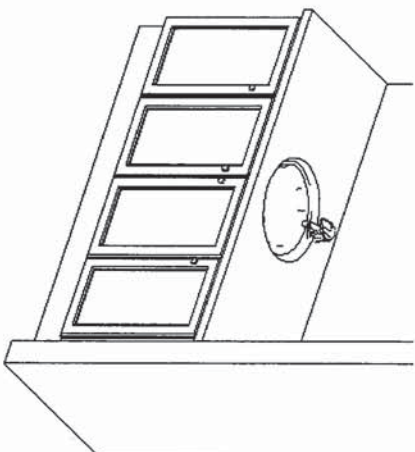
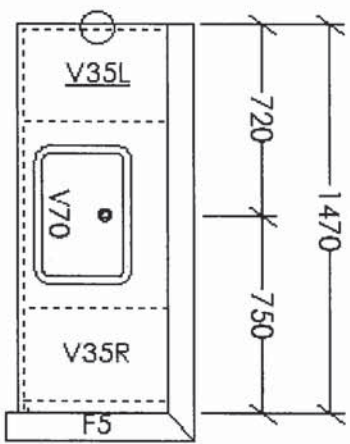
SPACES FINISHED LOWER LEVEL VERSION 2  
ELEV. B

\* Floor plan may vary due to grading conditions.

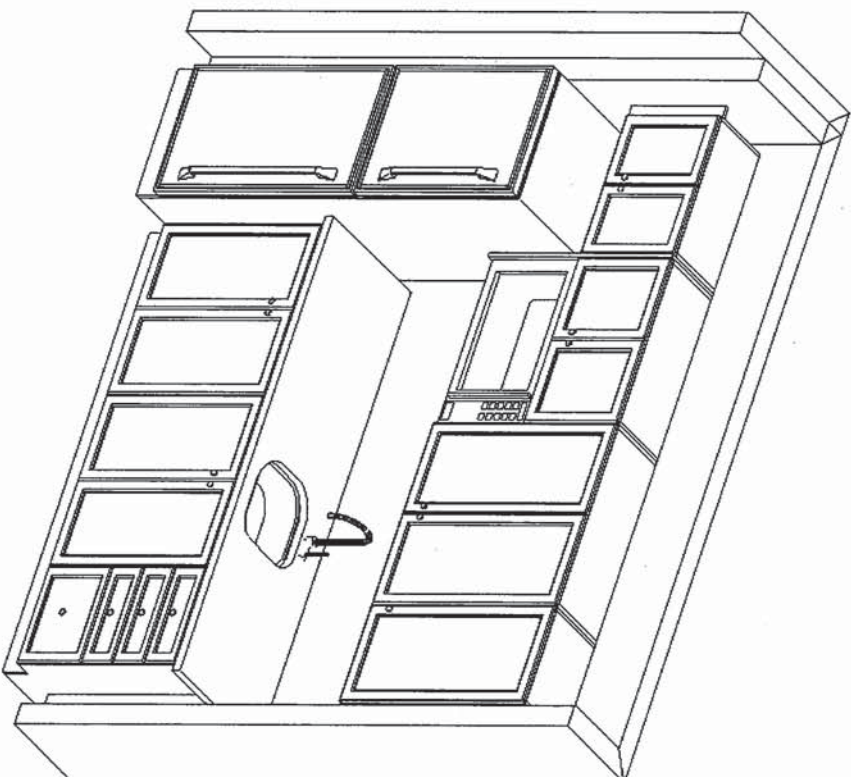
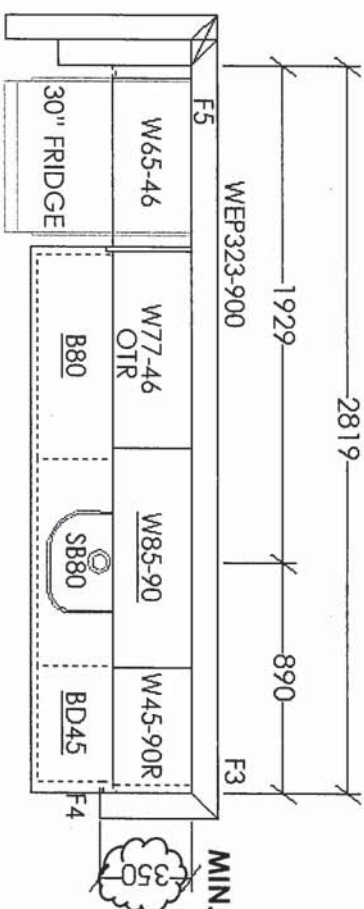


*Sketch 8*

**BASEMENT BATH**



**KITCHENETTE  
 BASEMENT**



This sketch is for DESIGN PURPOSES ONLY – It is not meant to be an exact rendition.



**F R E N D E L**  
 KITCHENS LIMITED  
 1350 Johnson Drive, Mississauga, ON L4W 1C5

**HEATHWOOD HOMES**  
 COUNTRY LANE, WHITBY  
**TRADITIONS**

**MODEL: 39-3123 (4502)**

THE CLASSIC SERIES

Standard Features:

- Kitchenette:
- Tandem Box Soft Close Drawers
- Blumotion Hinges for Doors
- Countertop by others

Vanity

- Full Height Doors
- Blumotion Hinges for Doors

Drawn By: Sepideh B  
 Date: July 25, 2024  
 Revision:  
 Scale: Not To Scale

Approved By Builder:

Date:

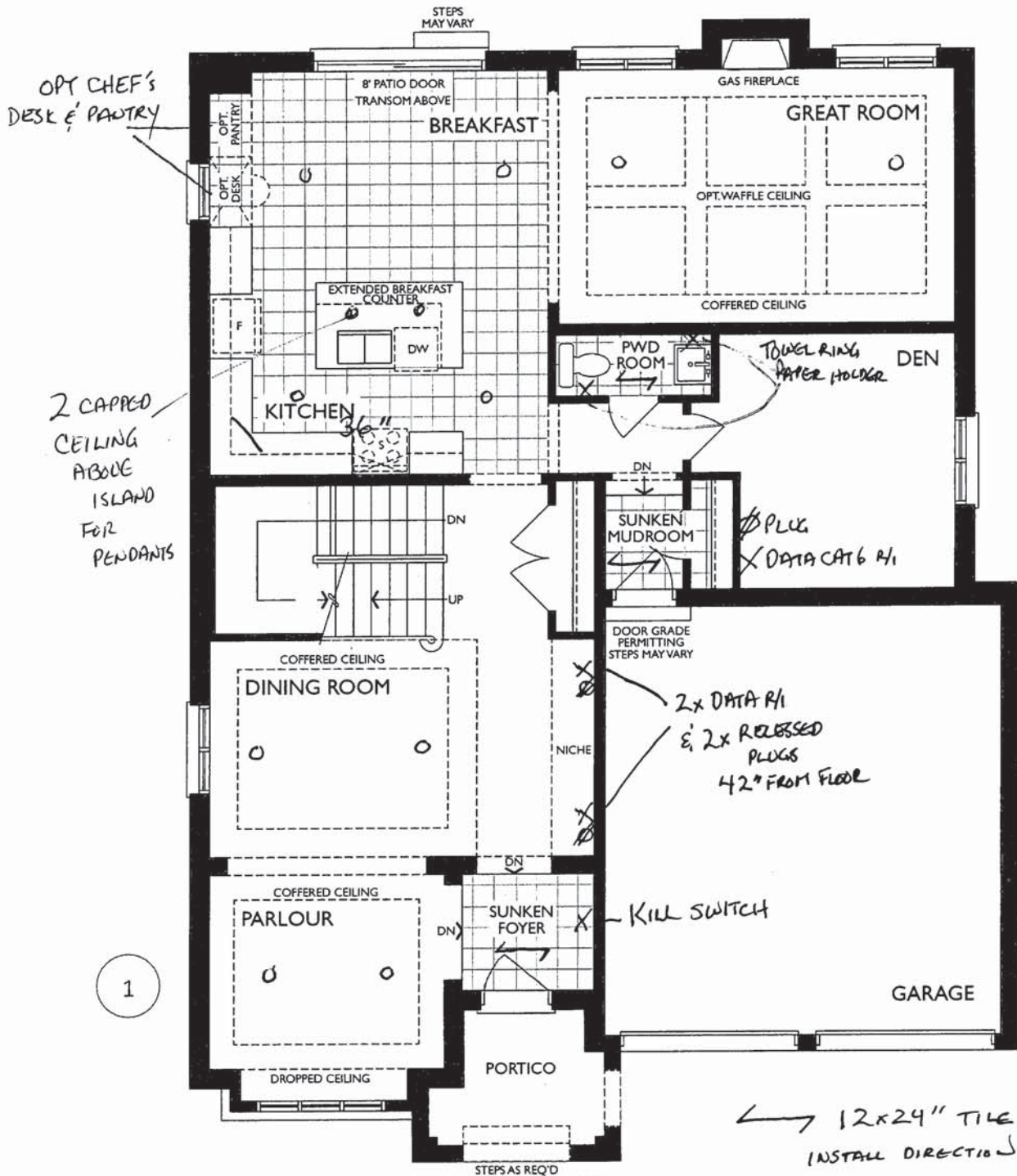
7/25/2024



39-3123 ELEV. B

Sketch #9

## The Pinehurst



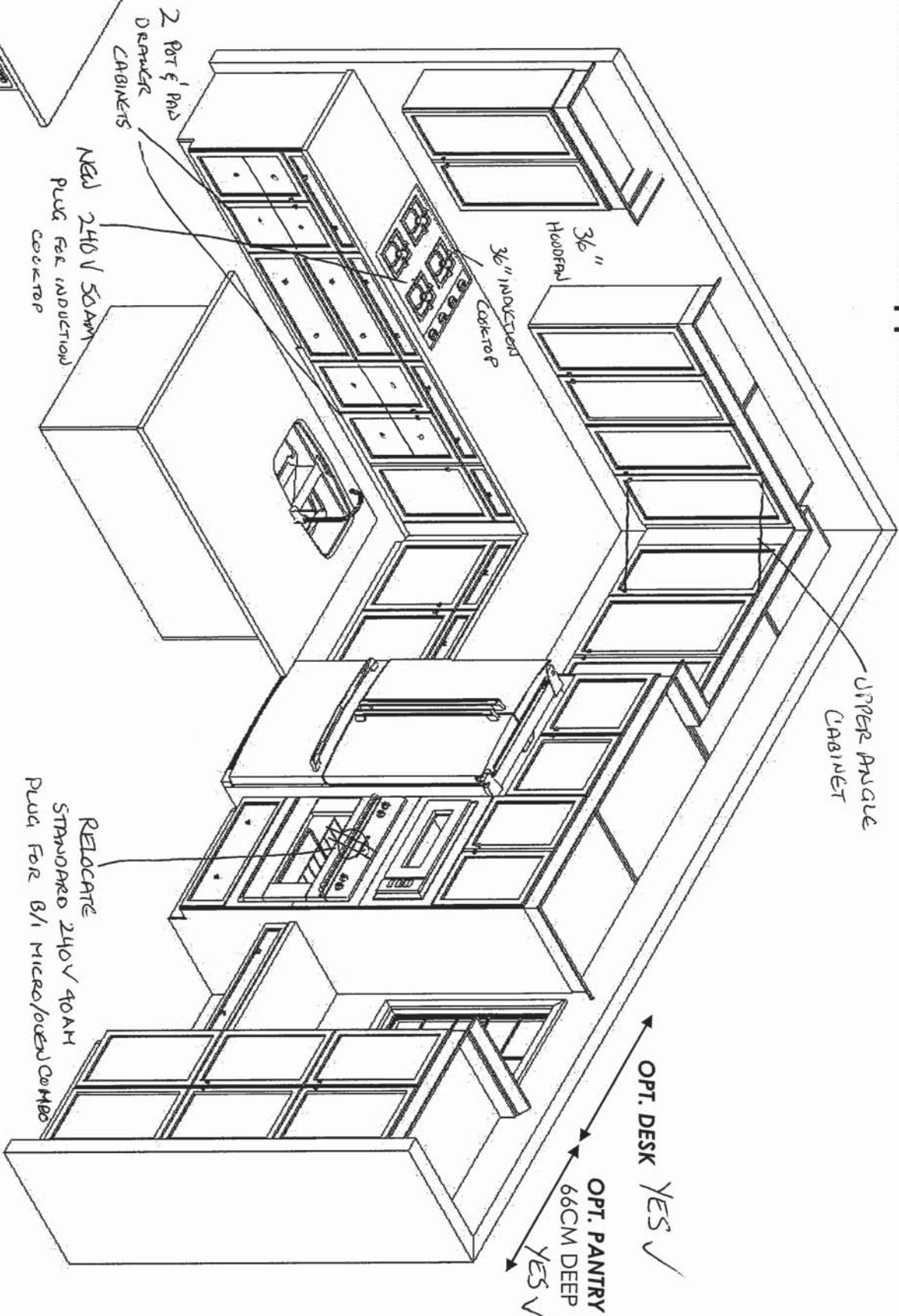
MAIN LEVEL  
ELEV. B

**Changes made to match the Architectural plan:**

1. Front door swing

Project: Country Lane  
 Unit: 7169, Phase: 7  
 Model: 39-3123 B The Pinehurst

Sketch #10



This sketch is for DESIGN PURPOSES ONLY – It is not meant to be an exact rendition.



FRENDEL  
 KITCHENS LIMITED  
 1350 SHOWNON DRIVE, MARKHAM, ON L3R 1C5

HEATHWOOD HOMES  
 COUNTRY LANE, WHITBY  
**TRADITIONS**

**MODEL: 39-3123 (4502)**  
 THE CLASSIC SERIES

Standard Features:

- Tandem Box Soft Close Drawers
- Blumotion Hinges for Doors
- Crown Moulding & fascia
- Top Drawer Construction
- Deep Fridge Upper w/Deep Panel
- Tall upper Cabinets

Drawn By: Sepidhen B  
 Date: April 8, 2024  
 Revision:  
 Scale: Not To Scale

Approved By Builder:

Date:

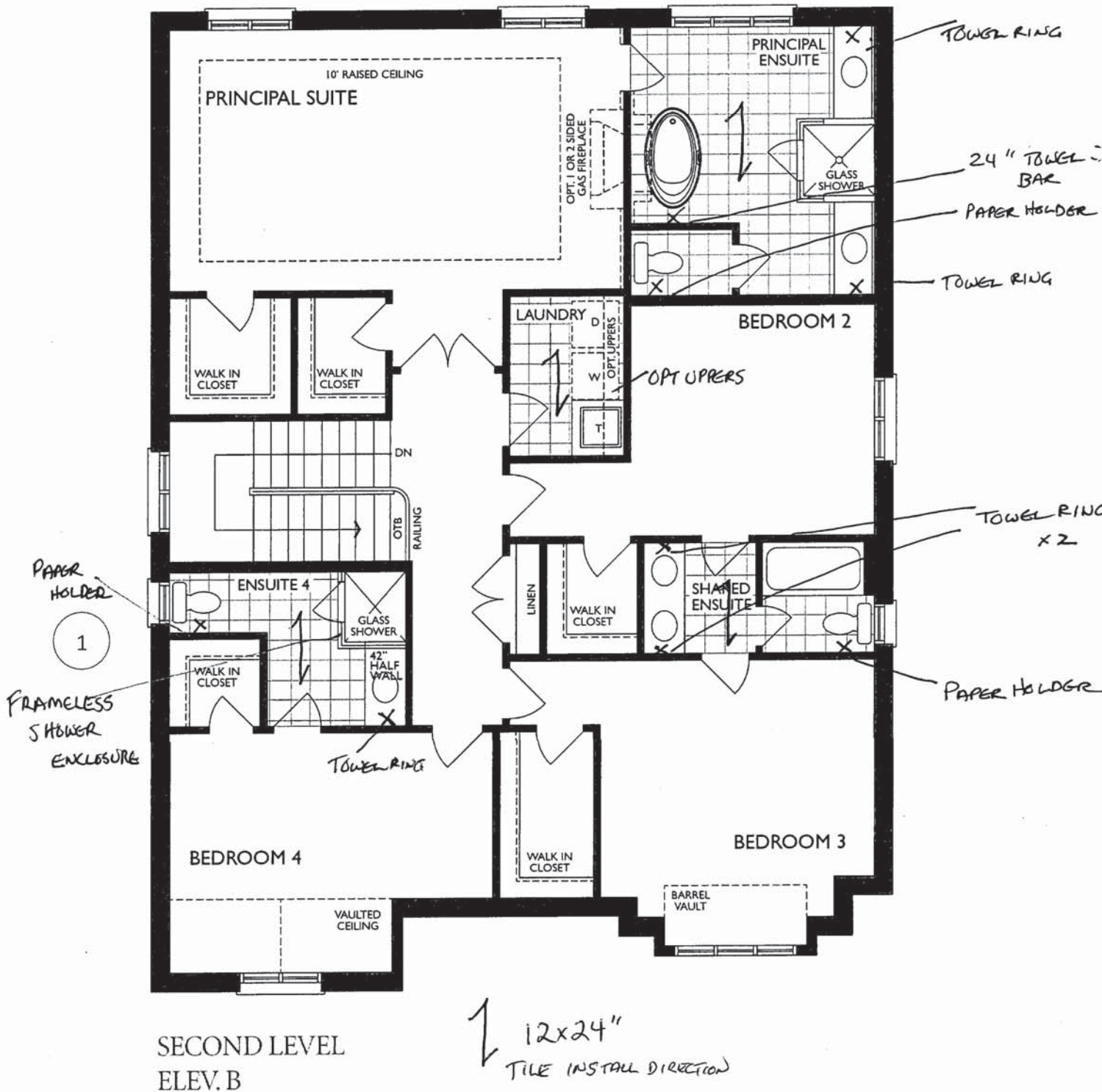
4/8/2024

Sketch #11

39-3123 ELEV. B

**TRADITIONS**  
OF COUNTRY LANE

## The Pinehurst

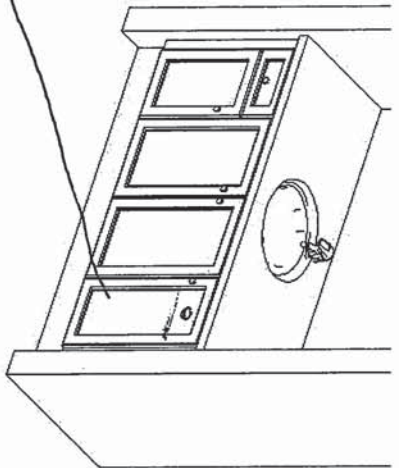
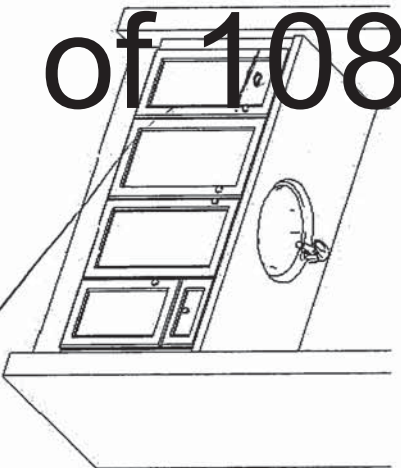


SECOND LEVEL  
ELEV. B

**Changes made to match the Architectural plan:**

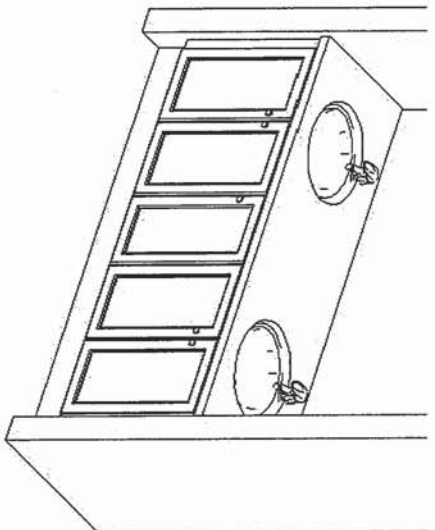
1. Half wall in ensuite 4

MASTER ENSUITE  
2nd FLR

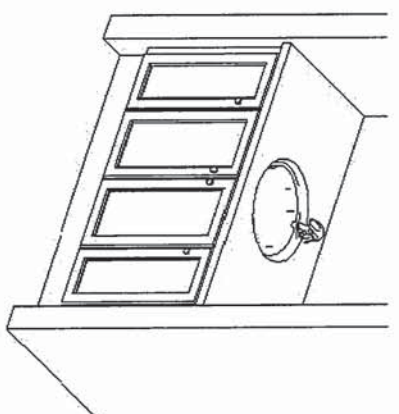


2 ADDITIONAL TOP DRAWERS

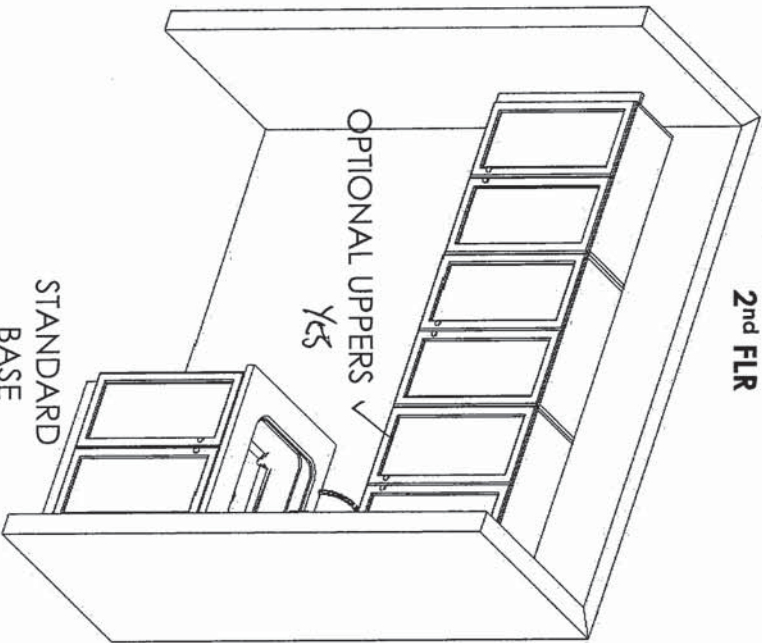
MAIN/SHARED BATH  
2nd FLR



ENSUITE 4  
2nd FLR

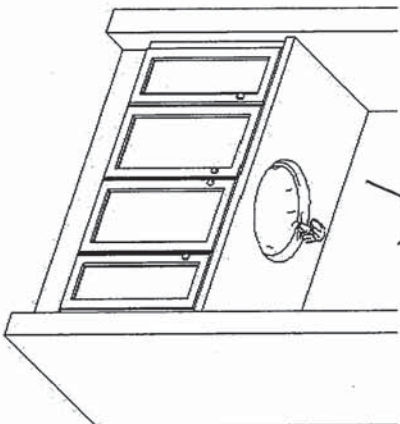


OPT. LAUNDRY UPPERS  
2nd FLR

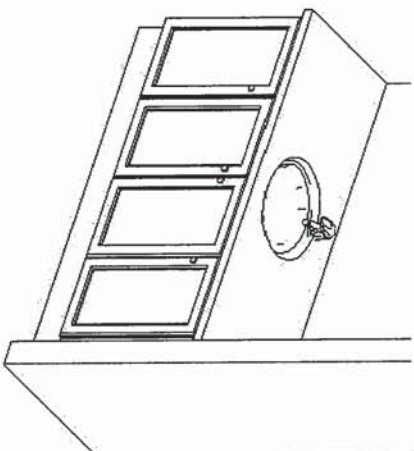


OPTIONAL UPPERS  
YES

~~BATH/BEDROOM 5  
LOFT/FLR~~



BASEMENT  
BATH



STANDARD  
BASE

This sketch is for DESIGN PURPOSES ONLY – It is not meant to be an exact rendition.



F R E N D E L  
K I T C H E N S L I M I T E D  
1350 Sheverson Drive, Mississauga, ON L4W 1G5

HEATHWOOD HOMES  
COUNTRY LANE, WHITBY  
**TRADITIONS**  
MODEL: 39-3123 (4502)  
THE CLASSIC SERIES

Standard Features:

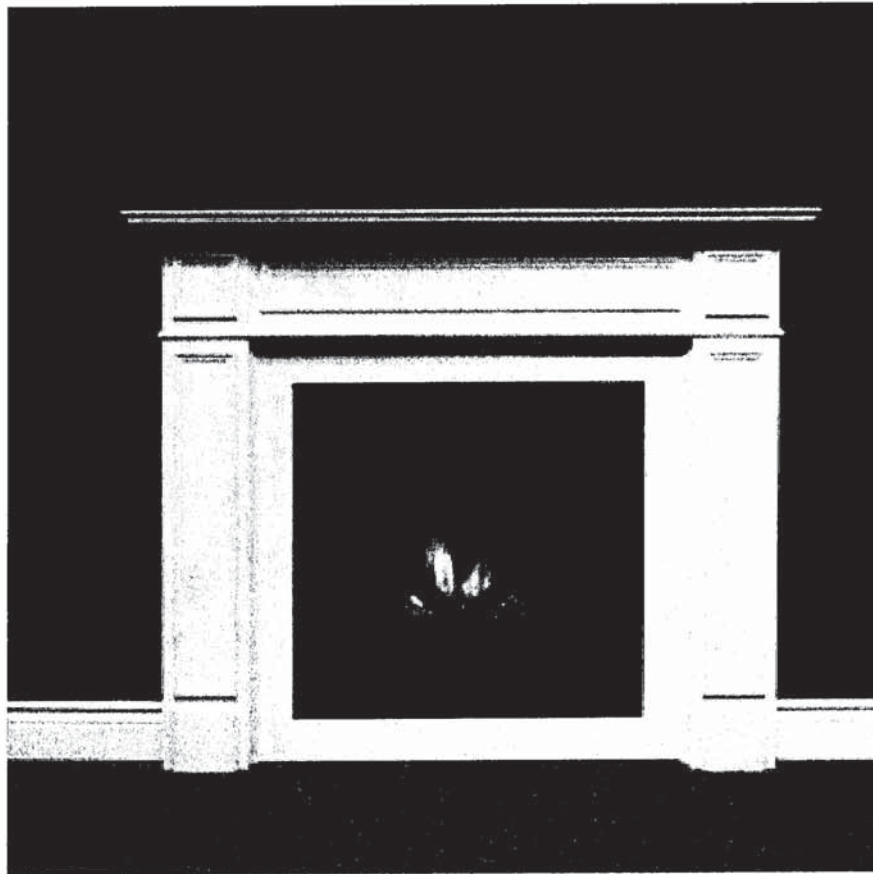
- Blum Metabox Drawers
- Blum Clip On Hinges
- Top Drawer in Master Ensuite

Drawn By: Sepideh B  
Date: April 8, 2024  
Revision:  
Scale: Not To Scale

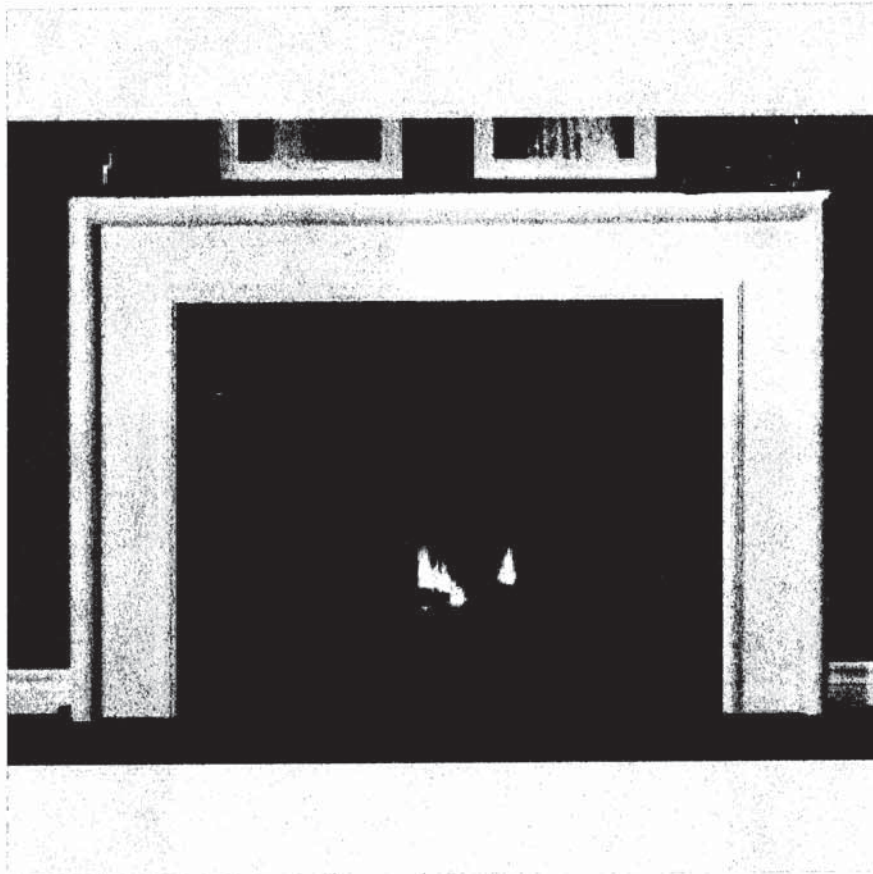
Approved By Builder:

Date:

4/8/2024



**NEAS NF8 Mantel** — GREAT ROOM  
w/G GRANITE SURROUND



NEAS NF17 Mantel STD  
FINISHED BASEMENT

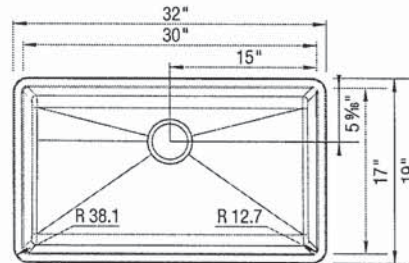
# BLANCO

KITCHEN SINK

## Sink Specifications

Colour	SKU
Café	400889
Anthracite	400890
Truffle	401143
Cinder	401397
Metallic Gray	401683
White	401820
Coal Black	402660
Soft White	402884
Volcano Gray	402929

## PRECIS U Super Single SILGRANIT



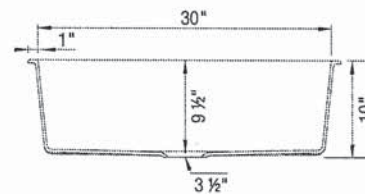
## Design and planning tips

- Min cabinet size: 36 in ( 915 mm )

### Specifications:

3 ½" stainless steel strainer(s), Installation instructions, Cut-out template, Limited Lifetime Warranty

To protect from damage, sink must ship on a pallet.

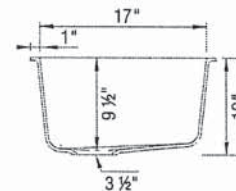


## Codes & Standards

CSA B45.8-18/ IAPMO Z403-2018

## Optional Accessories

CapFlow Strainer Cover	517666
Floating Grid	406535
Sink Grid	406446
Mesh Basket	406399



## Warranty

Limited lifetime warranty on all sinks and faucets. One-year warranty on all accessories and soap dispensers.

## Code/Standards Compliance

BLANCO sinks and faucets are third-party tested and certified to CSA, cUPC, ANSI/ASME, IAPMO and NSF standards and listed by applicable certification bodies. For more information on individual product listings, contact our office or listing organization.



Need support? Learn more by watching our sink & faucet How-to videos:

<https://www.blanco.com/ca-en/support/how-to-videos/how-to-videos-for-sinks/>



BLANCO Canada Inc  
 100 Corporation Drive  
 Brampton ON L6S 6B5

### Tel & Fax

Tel: 905-494-2400 Toll free: 1-877-425-2626  
 Fax: 905-494-2425 Toll free: 1-877-825-2626

While BLANCO strives to provide accurate information, all images and dimensions in this document are intended for reference only and are subject to change at any time without notice. This document is not intended for use as an installation guide. For technical installation details, refer to installation instructions provided with the product. BLANCO assumes no responsibility for the use of superseded or voided specifications.



## KITCHEN FAUCET

# MOEN®

## Specifications

### FAUCET DESCRIPTION

- Reflex™ pull-down system offers smooth operation, easy movement and secure docking
- Power Clean™ spray technology
- Metal construction with various finishes identified by suffix
- Quick connect installation
- Pull-down spray with 68" braided hose
- Flexible supply lines with 3/8" compression fittings
- High arc spout provides height and reach to fill or clean large pots while pull-down wand provides the maneuverability for cleaning or rinsing
- 360° rotating spout
- Faucet designed for handle to be mounted on right side only

### OPERATION

- Lever style handle
- Temperature controlled by 100° arc of handle travel
- Operates with less than 5 lbs. of force
- Operates in stream or spray mode in the pullout or retracted position


### FLOW

- Flow is limited to 1.5 gpm (5.7 L/min) max at 60 psi

### CARTRIDGE

- 1255™ Duralast™ cartridge

### STANDARDS

- Third party certified to IAPMO Green, ASME A112.18.1/CSA B125.1 and all applicable requirements therein including NSF 61/9G & 372
- Meets CalGreen and Georgia SB370 requirements
- Complies with California Proposition 65 and with the Federal Safe Drinking Water Act
- The backflow protection system in the device consists of two independently operating check valves, a primary and a secondary which prevent backflow
- ADA  for lever handle

### WARRANTY

- Lifetime limited warranty against leaks, drips and finish defects to the original homeowner
  - 10 year limited warranty when used in a multifamily installation
  - 5 year limited warranty when used in a commercial installation
- Visit [www.moen.com/support](http://www.moen.com/support) for complete details and limitations

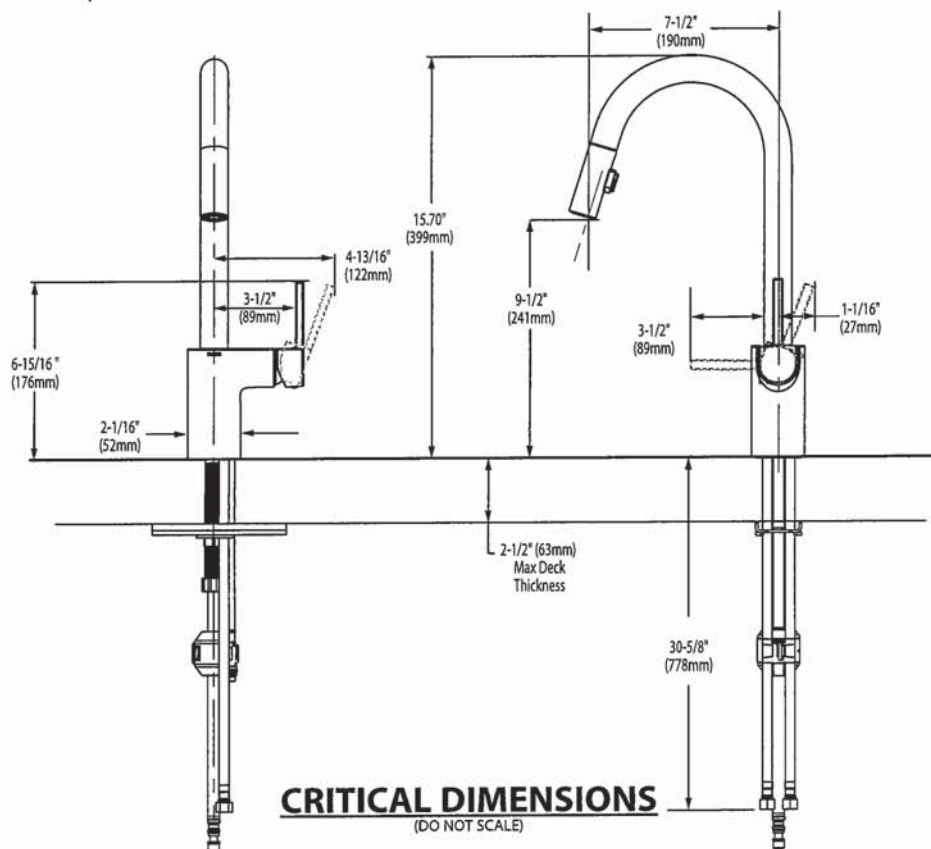


**ALIGN™**  
**Single Handle High Arc  
Pulldown Kitchen Faucet**

Models: 7565 series

7565BL MATTE BLACK

**NOTE: THIS FAUCET IS DESIGNED TO BE INSTALLED THROUGH 1 HOLE, 1-1/2" (38mm) MIN. DIA. (OPTIONAL 3-HOLE ESCUTCHEON 141002 AVAILABLE)**





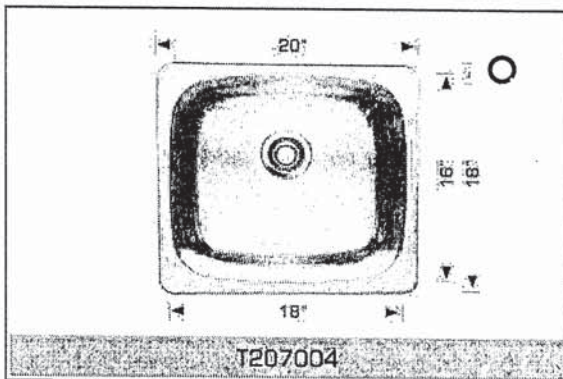
Enter Model#

Search

Select Page



## Laundry Sinks



T207004

### Drop In or undermount

Rear positioned drain holes to maximize usable bowl and cabinet storage space below

### Specifications

- 304 stainless steel 18 gauge
- 18/10 chrome nickel content
- Brushed finish
- Template
- Clips
- Strainer
- 10" Deep

### Dimensions

- Outside: 20" x 18" x 10"
- Inside: 18" x 16" x 10"
- Minimum cabinet size 23"

Also available in 8" deep.

---

SKU: T207004 Categories: Laundry Sinks, Standard Series Tags: 207004, Drop-in sinks, Laundry, Stainless Steel Sinks

LAUNDRY FAUCET

# MOEN®

## Specifications

### FAUCET DESCRIPTION

- Reflex™ pull-down system offers smooth operation, easy movement and secure docking
- Power Clean™ spray technology
- Metal construction with various finishes identified by suffix
- Quick connect installation
- Pull-down spray with 68" braided hose
- Flexible supply lines with 3/8" compression fittings
- High arc spout provides the perfect height and reach for prep sinks while the pull-down feature provides maneuverability for food preparation tasks
- 360° rotating spout provides ability to install handle on either side
- Faucet designed for handle to be mounted on right side

### OPERATION

- Lever style handle
- Temperature controlled by 100° arc of handle travel
- Operates with less than 5 lbs. of force
- Operates in stream or spray mode in the pullout or retracted position


### FLOW

- Flow is limited to 1.5 gpm (5.7 L/min) max at 60 psi

### CARTRIDGE

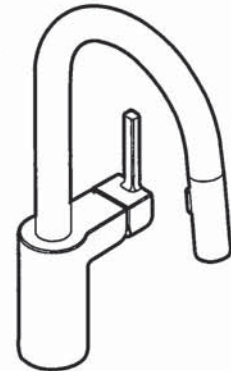
- 1255™ Duralast™ cartridge for Single-Handle Faucets

### STANDARDS

- Third party certified to IAPMO Green, ASME A112.18.1/CSA B125.1 and all applicable requirements referenced therein including NSF 61/9G & 372
- Meets CalGreen and Georgia SB370 requirements
- Complies with California Proposition 65 and with the Federal Safe Drinking Water Act
- The backflow protection system in the device consists of two independently operating check valves, a primary and a secondary which prevent backflow
- ADA  for lever handle

### WARRANTY

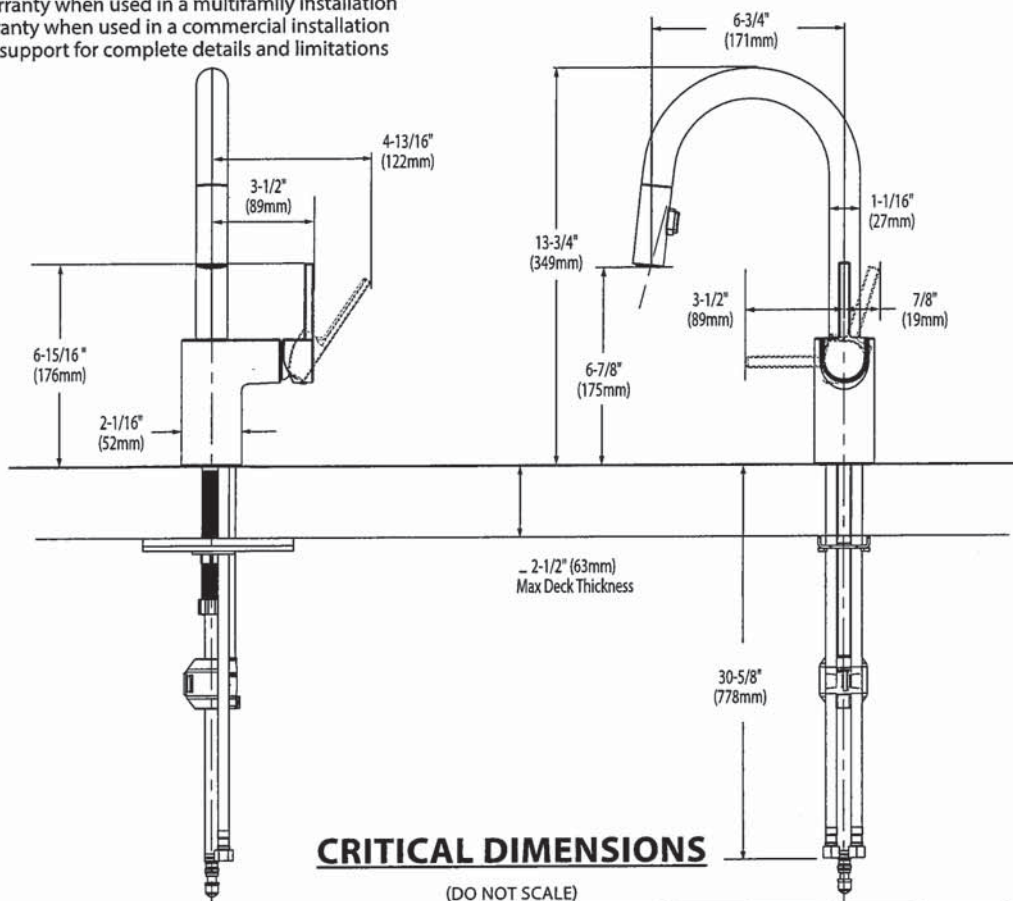
- Lifetime limited warranty against leaks, drips and finish defects to the original homeowner
  - 10 year limited warranty when used in a multifamily installation
  - 5 year limited warranty when used in a commercial installation
- Visit [www.moen.com/support](http://www.moen.com/support) for complete details and limitations



**ALIGN™**  
 Single Handle High Arc  
 Pull-down Prep/Bar Faucet

Models: 5965 series

**NOTE:** THIS FAUCET IS DESIGNED TO BE INSTALLED THROUGH 1 HOLE, 1-1/2" (38mm) MIN. DIA. (OPTIONAL 3-HOLE ESCUTCHEON 141002 AVAILABLE)



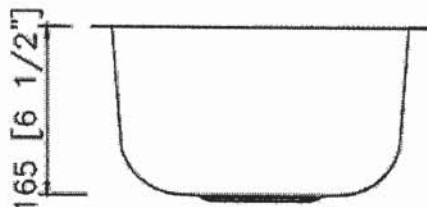
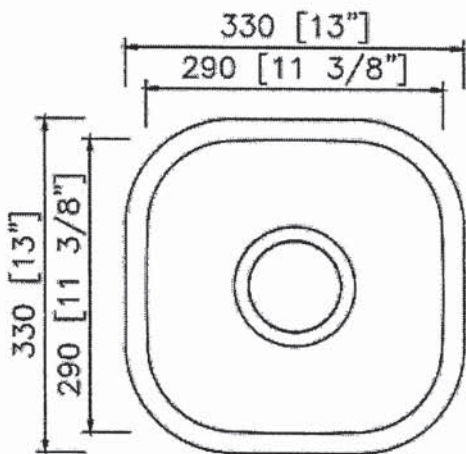
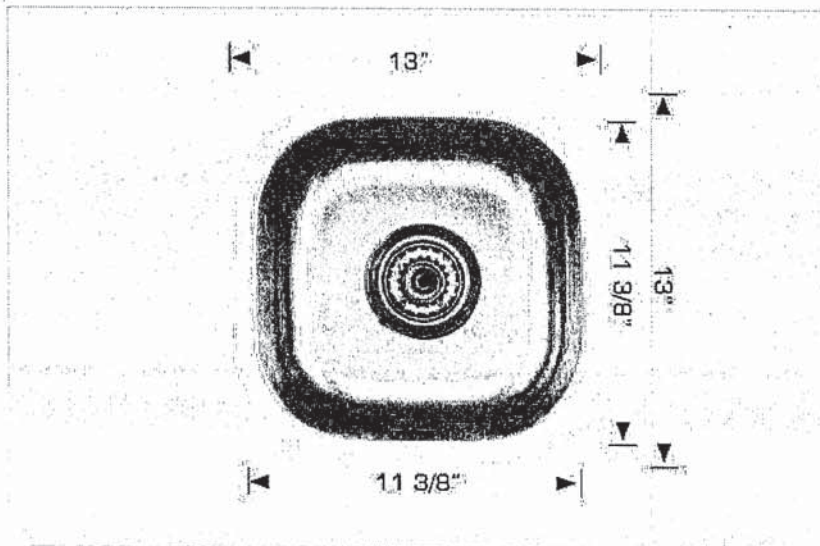
' SPACES '  
 FINISHED BASEMENT



KITCHENETTE SINK

Phone: 416-742-1888 | Fax: 416-742-6888  
 www.boscocanada.com | info@boscocanada.com  
 5171 Steeles Avenue West | Toronto, Ontario M9L 1R5

## Builder Series - Model:207023 Undermount



### Specifications:

- 304 Stainless Steel
- 18 Gauge
- Template
- Strainer
- Undermount Clips
- 6 1/2" Deep

Outside:  
 13" x 13" x 6 1/2"

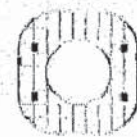
Inside:  
 11 3/8" x 11 3/8" x 6 1/2"

Minimum cabinet size 15"

### Certification/Warranty

- ASME A 112.19.3
- CSA B45.4
- Limited Lifetime Warranty

### Optional Accessories



Model: G207023  
 Grid

*Bosco Canada Inc. is known around the world for producing high quality kitchen sinks that incorporate modern design and functional superiority in every piece they manufacture.*

' SPACES '  
 FINISHED BASEMENT  
 KITCHENETTE FAUCET

# MOEN®

## Specifications

There is more than 1 version of this model.  
 Page down to identify the version you have.

### FAUCET DESCRIPTION

- Reflex™ pulldown system offers smooth operation, easy movement and secure docking
- Power Clean™ spray technology
- Metal construction with various finishes identified by suffix
- Duralock™ quick connect
- Pulldown spray with 68" braided hose
- Flexible supply lines with 3/8" compression fittings
- High arc spout provides the perfect height and reach for prep sinks while the pulldown feature provides maneuverability for food preparation tasks
- 360° rotating spout provides ability to install handle on either side
- Faucet designed for handle to be mounted on right side

### OPERATION

- Lever style handle
- Temperature controlled by 100° arc of handle travel
- Operates with less than 5 lbs. of force
- Operates in stream or spray mode in the pullout or retracted position

### FLOW

- Flow is limited to 1.5 gpm (5.7 L/min) max at 60 psi

### CARTRIDGE

- 1255™ Duralast™ cartridge for Single-Handle Faucets

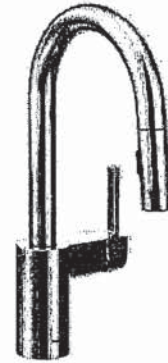
### STANDARDS

- Third party certified to IAPMO Green, ASME A112.18.1/CSA B125.1 and all applicable requirements referenced therein including NSF 61/9G & 372
- Meets CalGreen and Georgia SB370 requirements
- Complies with California Proposition 65 and with the Federal Safe Drinking Water Act
- The backflow protection system in the device consists of two independently operating check valves, a primary and a secondary which prevent backflow

- ADA  for lever handle

### WARRANTY

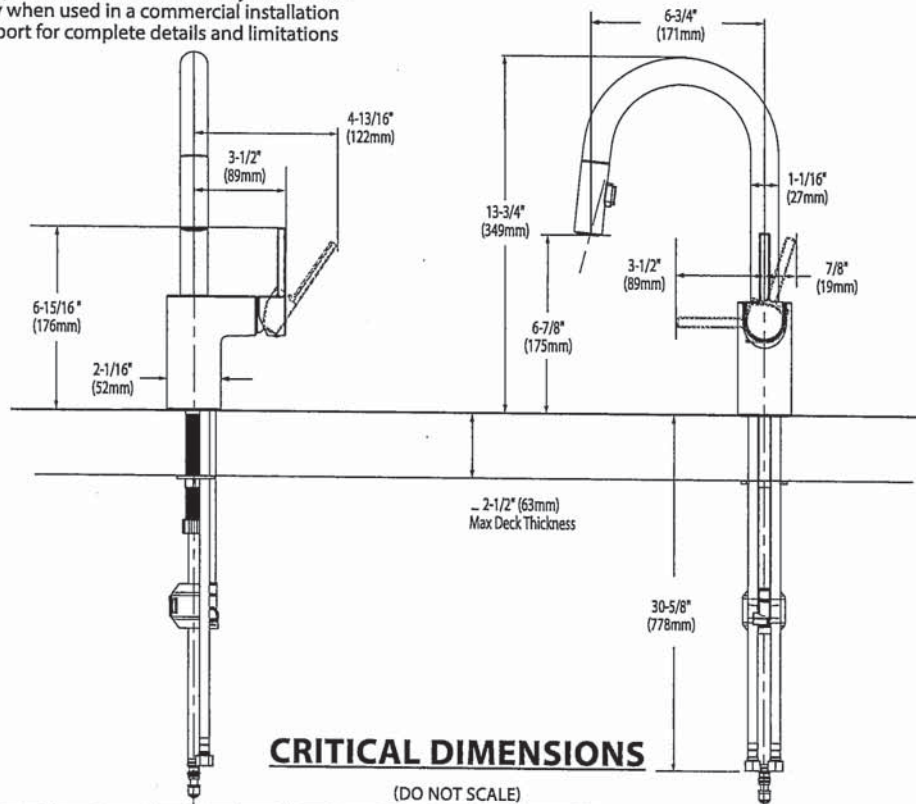
- Lifetime limited warranty against leaks, drips and finish defects to the original homeowner
  - 10 year limited warranty when used in a multifamily installation
  - 5 year limited warranty when used in a commercial installation
- Visit [www.moen.com/support](http://www.moen.com/support) for complete details and limitations



**ALIGN™**  
 Single Handle High Arc  
 Pulldown Prep/Bar Faucet

Models: 5965 series

**NOTE:** THIS FAUCET IS DESIGNED TO BE INSTALLED THROUGH 1 HOLE, 1-1/2" (38mm) MIN. DIA. (OPTIONAL 3-HOLE ESCUTCHEON 141002 AVAILABLE)



### CRITICAL DIMENSIONS

(DO NOT SCALE)

Powder Room

*American  
Standard*

BARRIER FREE (ABOVE COUNTER OR DROP-IN ONLY)

**BOULEVARD®  
PEDESTAL SINK**  
VITREOUS CHINA

### BOULEVARD® PEDESTAL SINK

- 0641.800** Faucet holes on 8" (203mm) centers (Illustrated)
- STD  **0641.400** Faucet holes on 4" (102mm) centers
- 0641.100** Center hole only
- Classic styled rectangular pedestal lavatory
  - Vitreous china
  - Rear overflow
  - Supplied with mounting kit
  - Right Height® for greater comfort during use
  - Faucet ledge with large deck area (faucet not included)
  - **Design coordinates with Boulevard® Toilet**
  - Basin has flat bottom to also allow use as an **above counter sink** or a **drop-in sink** (with u-shaped cut out)

#### Nominal Dimensions:

24" x 19" x 35-1/2"  
(610 x 483 x 902mm)

- 0641.008** Pedestal top-8" (203mm) centers
- 0641.004** Pedestal top-4" (102mm) centers
- 0641.001** Pedestal top-center hole only
- 0010.000** Pedestal only

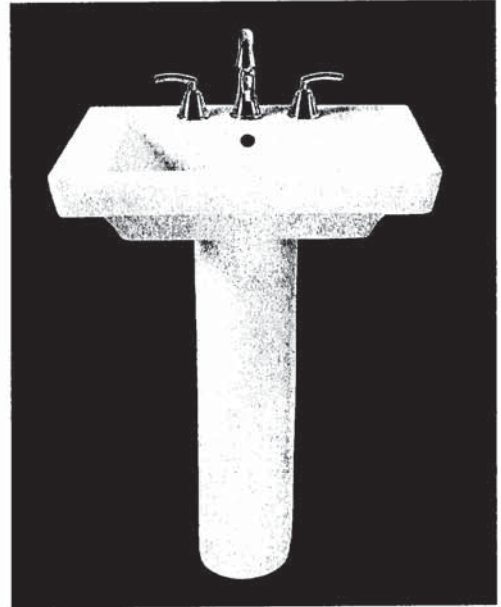
#### Bowl sizes:

17" (432mm) wide,  
12-1/2" (318mm) front to back,  
5" (127mm) deep

#### Compliance Certifications -

#### Meets or Exceeds the Following Specifications:

- ASME A112.19.2 - 2008/CSA B45.1-08



SEE REVERSE FOR ROUGHING-IN DIMENSIONS

#### To Be Specified:

- Color:  White  Linen
- Faucet Finish:
- Supplies:
- 1-1/4" Trap:
- Nipple:

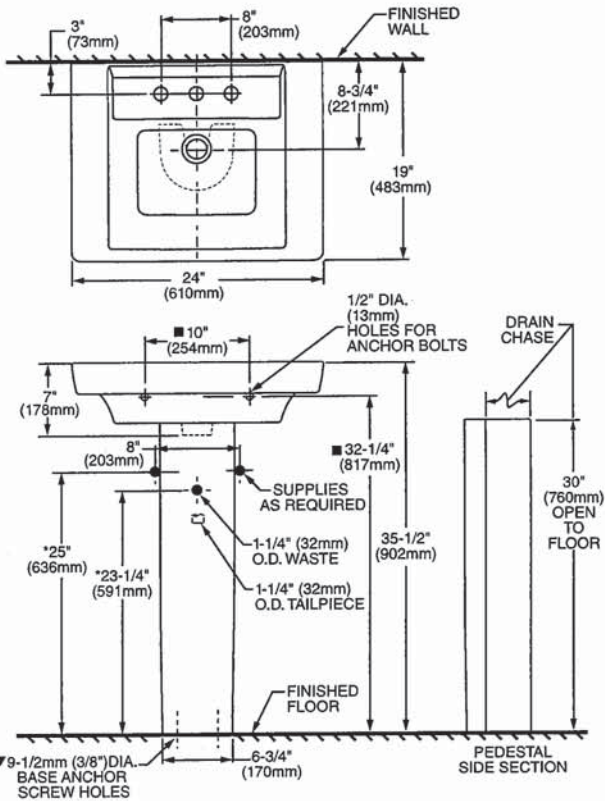
\* See faucet section for additional models available



## BOULEVARD® PEDESTAL SINK VITREOUS CHINA

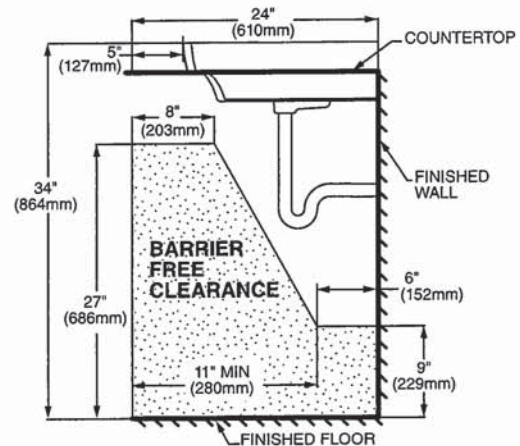
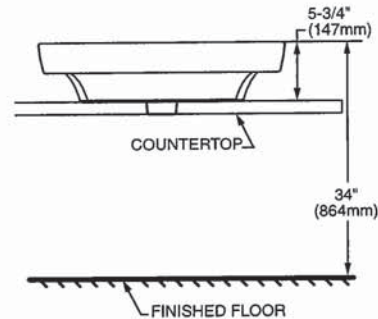
BARRIER FREE (ABOVE COUNTER OR DROP-IN ONLY)

TOP VIEW (ALL THREE CONFIGURATIONS)



PEDESTAL CONFIGURATION  
 (NOT ADA COMPLIANT)

ABOVE COUNTER CONFIGURATION



DROP-IN SINK CONFIGURATION

ABOVE COUNTER AND DROP-IN SINK CONFIGURATIONS MEET THE AMERICANS WITH DISABILITIES ACT GUIDELINES AND ANSI A117.1 ACCESSIBLE AND USABLE BUILDINGS AND FACILITIES - CHECK LOCAL CODES.

Top of sink installed at 34" (864mm) height from finished floor.  
 Sink installed 5" (127mm) minimum from front edge of countertop.  
 Provide 27" (686mm) knee clearance area.

**NOTES:**

- \* DIMENSIONS SHOWN FOR LOCATION OF SUPPLIES AND "P" TRAPS ARE SUGGESTED.
- ▼ PEDESTAL ANCHORING SCREWS NOT INCLUDED.
- SUITABLE FOR REINFORCEMENT ONLY. ACTUAL DIMENSIONS MUST BE TAKEN FROM FIXTURE.
- FITTING NOT INCLUDED AND MUST BE ORDERED SEPARATELY.
- PROVIDE SUITABLE REINFORCEMENT FOR ALL WALL SUPPORTS.
- INSTALLATION INSTRUCTIONS SUPPLIED WITH LAVATORY.

**IMPORTANT:** Dimensions of fixtures are nominal and may vary within the range of tolerance established by ANSI Standard A112.19.2. These measurements are subject to change or cancellation. No responsibility is assumed for use of superseded or voided pages.

POWDER ROOM



## BOULEVARD® RIGHT HEIGHT® ELONGATED ONE-PIECE TOILET WITH SEAT



VITREOUS CHINA

### BOULEVARD® RIGHT HEIGHT® ELONGATED ONE-PIECE TOILET WITH SEAT

2891.128

- LXP® (Luxury Performance) toilet
- 12" (305 mm) rough-in
- Right Height elongated siphon action bowl with smooth-sided, concealed trapway
- High efficiency, ultra-low consumption (1.28gpf/4.8 Lpf), **utilizes 20% less water**
- **Meets EPA WaterSense® criteria**
- Includes **EverClean®** surface which inhibits the growth of stain and odor causing bacteria, mold, and mildew on the surface
- PowerWash® rim scrubs bowl with each flush
- 16-1/2" (419 mm) rim height for accessible applications
- 2" (51 mm) trapway
- 3" (76 mm) flush valve
- Chrome trip lever
- Includes Duroplast™ slow-close seat and cover with concealed seat ring and easy lift-off feature for simple removal and reattachment for cleaning
- Two color-matched bolt hole covers
- 10-year warranty
- **Design coordinates with Studio® and Boulevard® lavatories**
- Best 1,000g MaP flush score\*\*

2891.813 Same as above except trip lever on right hand side

5025A.65G Preferred Seat: Telescoping Elongated Luxury Seat

**Nominal Dimensions:**

29-3/4" x 14-1/2" x 30-1/2"  
 (756 x 368 x 778mm)

Fixture only, supply by others

**Compliance Certifications -**

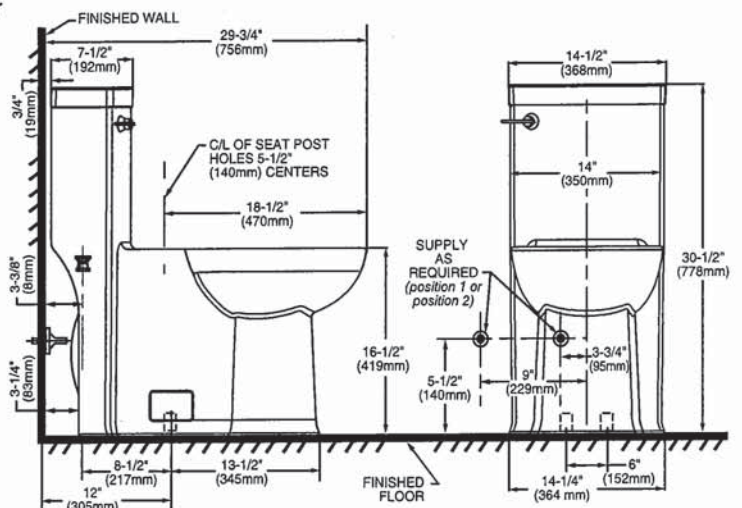
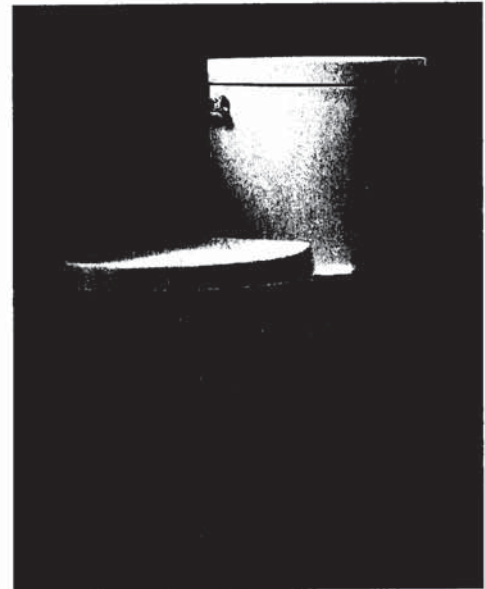
**Meets or Exceeds the Following Specifications:**

- ASME A112.19.2 / CSA B45.1
- US EPA WaterSense® Specification for HETs

**To Be Specified:**

- Color:
  - White  Linen
- Supply with Stop:

\*\* Maximum Performance (MaP) testing performed by IAPMO R&T Lab. MaP Report conducted by Gauley Associates Ltd. and Koeller and Company.



**IMPORTANT:** Water supply on the wall is required at 3-3/4" or 9" from centerline of the toilet (see rough-in). First suggested position is hidden behind the toilet. The geometry of the toilet gives space for this installation. The second suggested position is next to the toilet. Between these two positions, the space for the supply between wall and toilet is limited to 3-1/4". In this case, check your supply and hose dimensions.

**NOTES:**

THIS TOILET IS DESIGNED TO ROUGH-IN AT A MINIMUM DIMENSION OF 305MM (12") FROM FINISHED WALL TO C/L OF OUTLET. SUPPLY NOT INCLUDED WITH FIXTURE AND MUST BE ORDERED SEPARATELY. \* DIMENSION SHOWN FOR LOCATION OF SUPPLY IS SUGGESTED.

**IMPORTANT:** Dimensions of fixtures are nominal and may vary within the range of tolerance established by ANSI Standard A112.19.2. These measurements are subject to change or cancellation. No responsibility is assumed for use of superseded or voided pages.



**MEETS THE AMERICANS WITH DISABILITIES ACT GUIDELINES AND ICC ANSI A117.1 REQUIREMENTS FOR ACCESSIBLE AND USABLE BUILDING FACILITIES-CHECK LOCAL CODES.**



EVERCLEAN



EPA WATERSENSE CERTIFIED



WATER EFFICIENT



Glyde™

POWDER ROOM  
 MATTG BLACK

GLYDE



LAVATORY FAUCETS



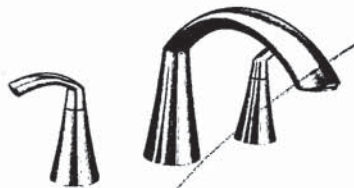
Single Handle Lav Faucet with Lift Rod Drain

6170

Deckplate included



ROMAN TUB FAUCETS



Two Handle Roman Tub Faucet

T373 / 4796



Tub Drain Half Kit\*

T90331 / 140680

TUB FILLER



One-Handle Wallmount Tub Filler

WT371 / WMV130XS



Two Handle Lav Faucet with Lift Rod Drain

6172



Two Handle Adjustable Widespread (8" - 16") Lav Faucet with Lift Rod Drain

T6173 / 69000



1x

GLYDE FINISH OPTIONS



Chrome, LifeShine® Brushed Nickel (BN), Matte Black (BL)

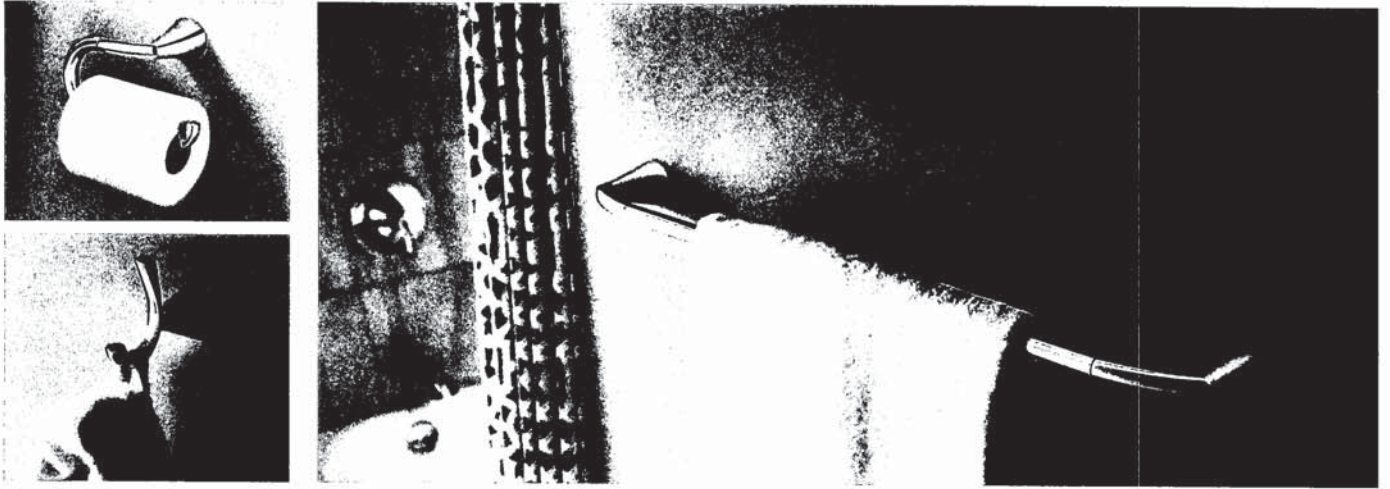
To order, combine the model number with one of these finish letter(s): LifeShine® Brushed Nickel (BN) & Matte Black (BL). To order Chrome (C) model, use model number only.

\* Order WR for BL equivalent

Glyde™

POWDER ROOM  
 MATTE BLACK

GLYDE



MATCHING ACCESSORIES



**Double Robe Hook**  
 YB2303



**Towel Ring**  
 YB2386



**18" Towel Bar**  
 YB2318



**Paper Holder**  
 YB2308

**24" Towel Bar**  
 YB2324

GLYDE FINISH OPTIONS



Chrome (CH), LifeShine® Brushed Nickel (BN), **Matte Black (BL)**

To order, combine the model number with one of these finish letter(s): Chrome (CH), LifeShine® Brushed Nickel (BN) & Matte Black (BL).

PRINCIPAL ENSUITE  
 x 2

**American Standard**

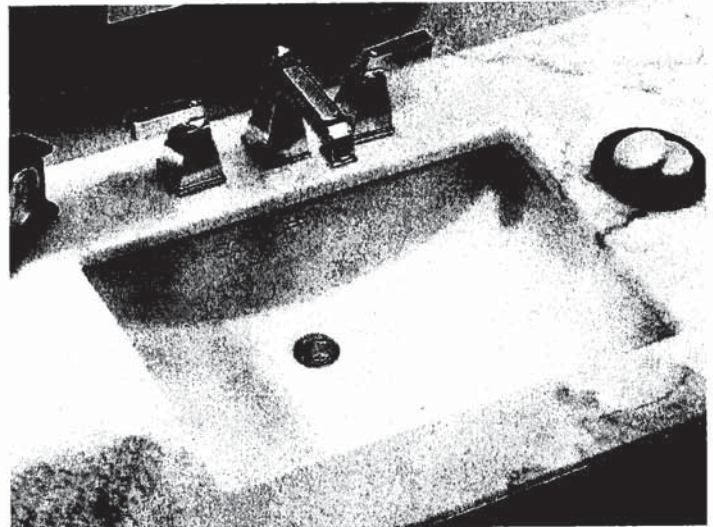
Style That Works Better

BARRIER FREE

**STUDIO™**  
**UNDERCOUNTER SINK**  
 VITREOUS CHINA

**STUDIO™ UNDERCOUNTER SINK**

- Rectangular undercounter mount sink
- Made from vitreous china
- Front overflow
- Supplied with mounting kit (047194-0070A) and template



- 0614.000 Unglazed Rim**  
 540 x 387mm  
 (21-1/4" x 15-1/4")
- 0614.300 Glazed underside**

**Bowl size:**  
 464mm (18-1/4") wide  
 308mm (12-1/8") front to back  
 171mm (6-3/4") deep

- 0618.000 Unglazed Rim**  
 600 x 422mm  
 (23-5/8" x 16-5/8")
- 0618.300 Glazed underside**

**Bowl size:**  
 537mm (21-1/8") wide  
 356mm (14") front to back  
 152mm (6") deep

- Compliance Certifications - Meets or Exceeds the Following Specifications:**
- ASME A112.19.2M for Vitreous China Fixtures
  - CAN/CSA B45 series

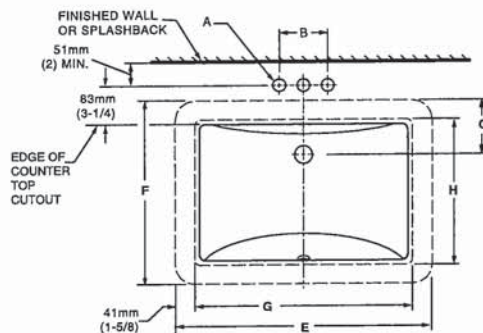
**To Be Specified:**

- Color:  White  Bone  Linen  Black
- Faucet\*:
- Faucet Finish:
- Supplies:
- 1-1/4" Trap:

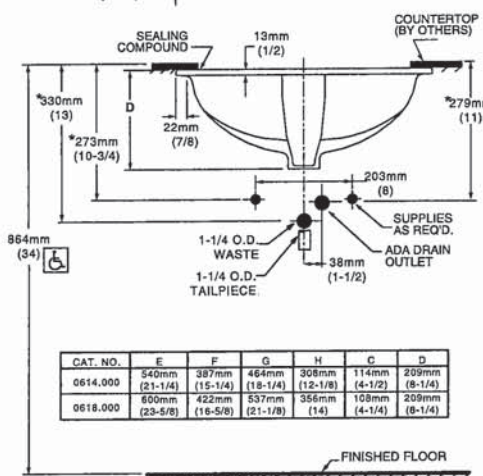
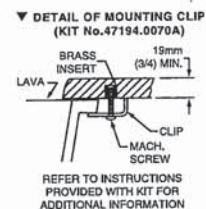
\* See faucet section for additional models available

**MEETS THE AMERICANS WITH DISABILITIES ACT GUIDELINES AND ANSI A117.1 ACCESSIBLE AND USABLE BUILDINGS AND FACILITIES - CHECK LOCAL CODES.**

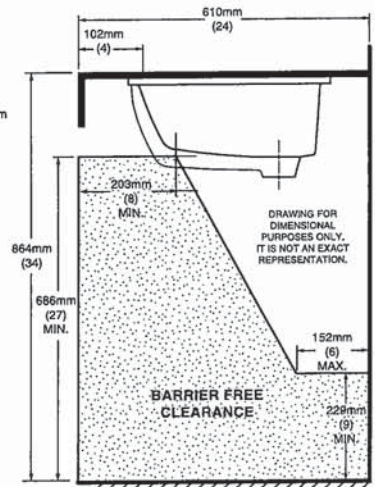
- Countertop 864mm (34") from finished floor. Lavatory installed 102mm (4") from front edge of countertop. Countertop thickness to be 25mm (1") maximum.



FITTING	A	B
CENTER-SET	1-1/16 (27mm)	4 (102mm)
SPREAD	1-1/4 (32mm)	8 (203mm)



CAT. NO.	E	F	G	H	C	D
0614.000	540mm (21-1/4)	387mm (15-1/4)	464mm (18-1/4)	308mm (12-1/8)	114mm (4-1/2)	209mm (8-1/4)
0618.000	600mm (23-5/8)	422mm (16-5/8)	537mm (21-1/8)	356mm (14)	108mm (4-1/4)	209mm (8-1/4)



**NOTES:**  
 WE RECOMMEND USING BASIN AS A TEMPLATE TO DETERMINE PROPER CONTOUR. CUT COUNTERTOP 38MM (1-1/2") INSIDE BASIN CONTOUR.  
 \* DIMENSIONS SHOWN FOR LOCATION OF SUPPLIED AND "P" TRAP ARE SUGGESTED.  
 ▼ UNDERCOUNTER MOUNTING KIT SUPPLIED WITH SINK. FITTINGS NOT INCLUDED WITH FIXTURE AND MUST BE ORDERED SEPARATELY.  
 SEALING COMPOUND SUPPLIED BY OTHERS.

**IMPORTANT:** Dimensions of fixtures are nominal and may vary within the range of tolerances established by ANSI Standard A112.19.2. These measurements are subject to change or cancellation. No responsibility is assumed for use of superseded or voided pages.

PRINCIPAL ENSUITE

*American  
Standard*

 BARRIER FREE

## STUDIO FloWise® CONCEALED TRAPWAY RIGHT HEIGHT® ELONGATED TOILET

VITREOUS CHINA

### STUDIO FloWise® CONCEALED TRAPWAY RIGHT HEIGHT® ELONGATED TOILET

2794104

- Vitreous china
- Meets definition for HET (High Efficiency Toilet)
- High efficiency (4.8 Lpf/1.28 gpf)
- Meets EPA WaterSense® criteria
- 305mm (12") rough-in
- 16-1/2" (419 mm) rim height for accessible applications
- EverClean® surface inhibits the growth of stain- and odor-causing bacteria, mold, and mildew on the surface
- Features the **Cadet® 3 Flushing System**
- Elongated siphon action jetted bowl with smooth-sided, concealed trapway
- Generous 9" x 8" (229 x 203mm) water surface area
- PowerWash™ rim scrubs bowl with pressurized water every flush
- Oversized 3" (76mm) flush valve
- Design matched chrome metal trip lever
- Includes top mounting, Duroplast Slow-Close seat and cover with easy lift-off feature for simple removal and attachment for cleaning, packed with bowl. Telescoping cover conceals seat ring when closed
- 2 colour-matched bolt hole covers
- 100% factory flush tested
- Lifetime warranty on chinaware, 5 year warranty on all mechanical parts, and 1 year warranty on seat
- **Design coordinated with Studio & Boulevard lavatories**



3075120 Right Height™ Elongated Bowl with Seat

4000104 Tank

#### Nominal Dimensions:

768 x 400 x 781mm (30-1/4" x 15-3/4" x 30-3/4")

Fixture and toilet seat only, supply by others

#### Compliance Certifications -

##### Meets or Exceeds the Following Specifications:

- ASME A112.19.2-2008/CSA B45.1-08 for Vitreous China Fixtures
- US EPA WaterSense® Specification for HET's

#### To Be Specified:

- Colour:  White  
 Supply with stop:



MEETS THE AMERICANS WITH DISABILITIES ACT GUIDELINES  
AND ICC ANSI A117.1 REQUIREMENTS FOR ACCESSIBLE AND  
USABLE BUILDING FACILITIES-CHECK LOCAL CODES.



**CADET® 3**  
Flushing System

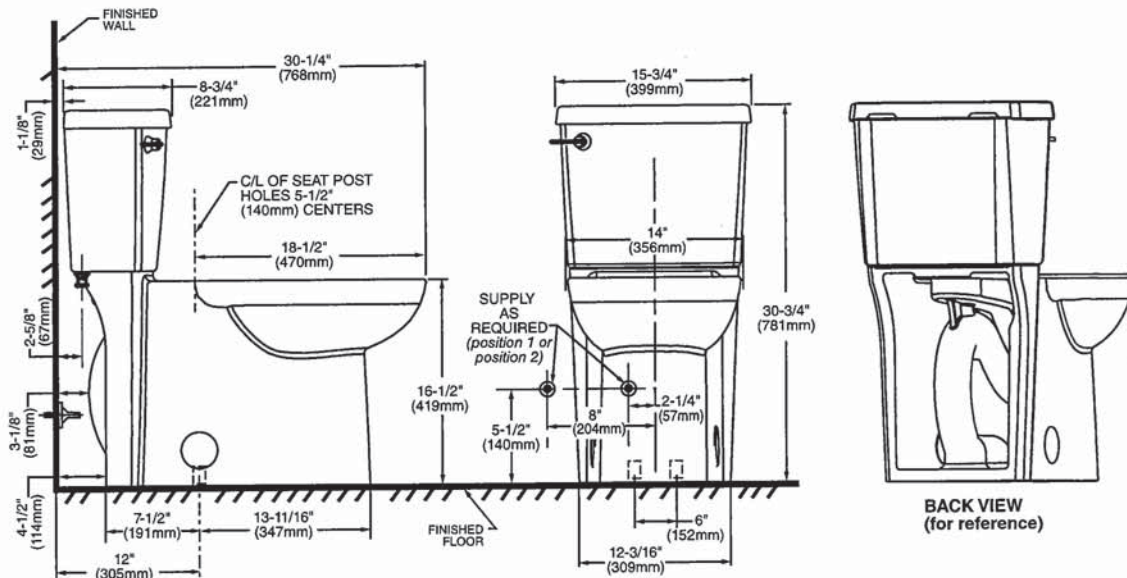
© 2018 Lixil Canada Inc.

PRINCIPAL ENSUITE



## STUDIO FloWise® CONCEALED TRAPWAY RIGHT HEIGHT® ELONGATED TOILET VITREOUS CHINA

BARRIER FREE



**IMPORTANT:** Water supply on the wall is required at 2-1/4" or 8" from centerline of the toilet (see rough-in). First suggested position is hidden behind the toilet. The geometry of the toilet gives space for this installation. The second suggested position is next to the toilet. Between these two positions, the space for the supply between wall and toilet is limited to 4-1/2". In this case, check your supply and hose dimensions.

**NOTES:**  
 THIS COMBINATION IS DESIGNED TO ROUGH-IN AT A MINIMUM DIMENSION OF 305MM (12") FROM FINISHED WALL TO C/L OF OUTLET.  
 \* DIMENSIONS SHOWN FOR LOCATION OF SUPPLY ARE SUGGESTED.  
 SUPPLY NOT INCLUDED WITH FIXTURE AND MUST BE ORDERED SEPARATELY.

**IMPORTANT:** Dimensions of fixtures are nominal and may vary within the range of tolerance established by ANSI Standard A112.19.2. These measurements are subject to change or cancellation. No responsibility is assumed for use of superseded or voided pages.



MEETS THE AMERICANS WITH DISABILITIES ACT GUIDELINES  
 AND ICC ANSI A117.1 REQUIREMENTS FOR ACCESSIBLE AND  
 USABLE BUILDING FACILITIES-CHECK LOCAL CODES.

PRINCIPAL ENSUITE  
 TUB



## DEMI™ Product Specification Sheet

### Two Piece Freestanding Collection



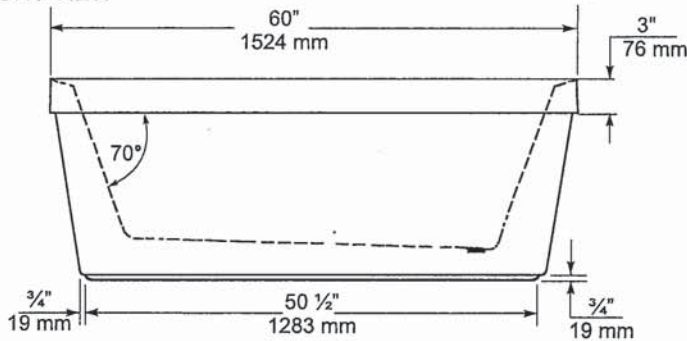
CF2007	Two Piece Freestanding Soaker
Size:	60" x 32" x 22" 1524 mm x 813 mm x 559 mm

#### PRODUCT FEATURES & BENEFITS

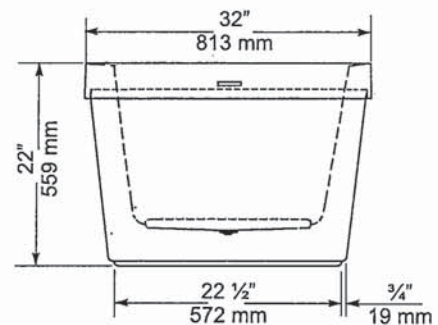
- Vacuum formed acrylic reinforced with fiberglass
- Scratch, stain and fade resistant high gloss finish
- Installation friendly two piece design
- Accepts deck mounted faucet
- Includes integral pop up drain and rectangular overflow
- Includes levelling feet

#### TWO PIECE ASSEMBLY

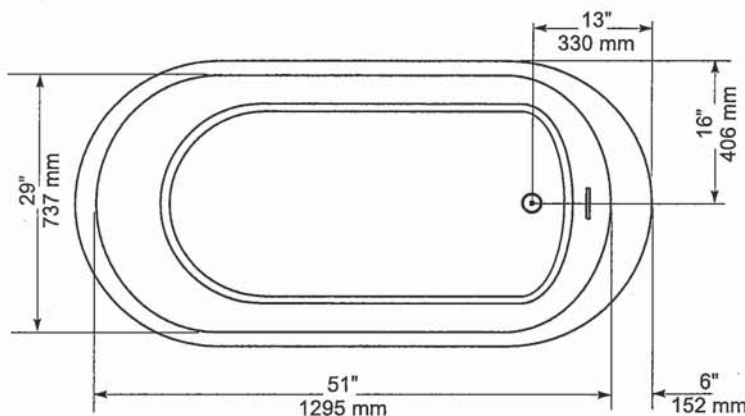
FRONT VIEW



END VIEW



TOP VIEW



GENERAL SPECIFICATIONS		
Average Weight	90 lb	41 kg
Bathing Well at bottom	43" x 20"	1092 x 508 mm
Capacity Drain to Overflow		195 litres
Water Depth Drain to Overflow	16"	406 mm
Drain Opening (dia.)	2"	51 mm
Overflow Opening	2 1/4" x 1/2"	57 x 13 mm
Drain to Floor Clearance	3 1/4"	83 mm

**NOTES:** Please confirm measurements on actual product to ensure proper identification. Bathtub to be installed on the floor supported by 5 self levelling feet. Adjust if required to level the bathtub for adequate drainage. Refer to installation instructions for additional information.

**IMPORTANT:** Dimensions of fixtures are nominal and may vary ± 1/4" (6 mm). Weight may vary ± 5 lb (2.3 kg). Drawing is not to scale. These measurements are subject to change at manufacturer's discretion.

#### Compliance Certifications -

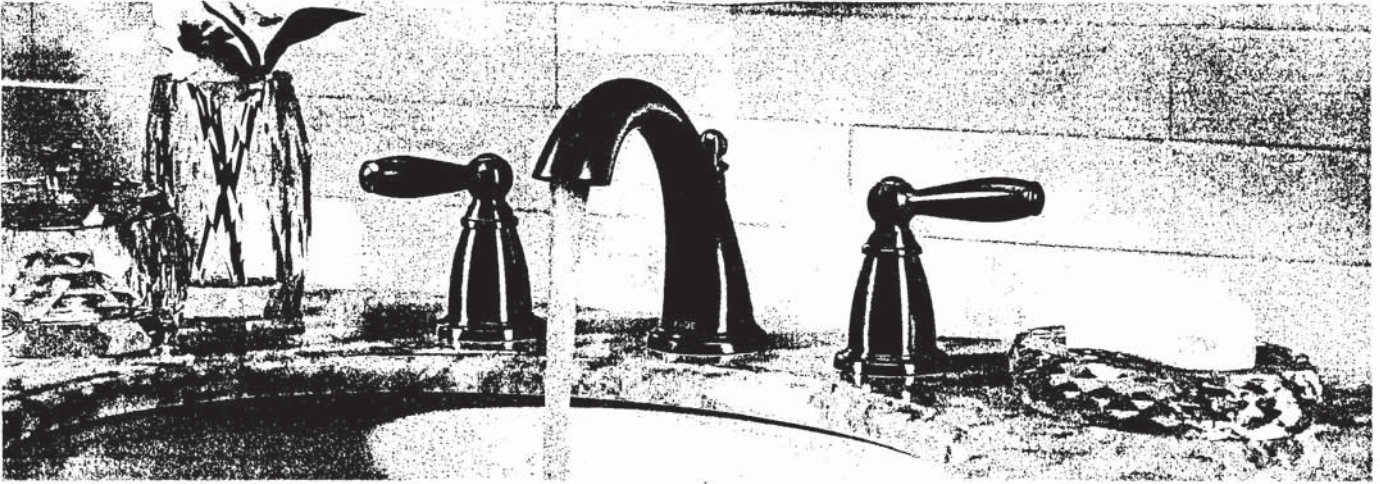
Meets or Exceeds the following Specifications:

- CAN/CSA - B45 Series



## Brantford™

PRINCIPAL ENSUITE SINKS  
 X2



### LAVATORY FAUCETS



Single Handle Lav Faucet  
 with Lift Rod Drain

6600

Deckplate included



Single Handle Lav Faucet  
 with Lift Rod Drain and Grid  
 Drain Kit

6600 / A1717

Deckplate included



Two Handle Lav Faucet  
 with Lift Rod Drain

6610



Two Handle Adjustable  
 Widespread (8" - 16") Lav  
 Faucet with Lift Rod Drain

T6620 / 69000

X2

### BRANTFORD FINISH OPTIONS



Chrome, LifeShine® Brushed Nickel  
 (BN), Oil Rubbed Bronze (ORB)

To order, combine the  
 model number with  
 one of these finish  
 letter(s): LifeShine®  
 Brushed Nickel (BN)  
 & Oil Rubbed Bronze  
 (ORB). To order  
 Chrome (C) model, use  
 model number only.

BRANTFORD

## Brantford™

PRINCIPAL ENSUITE  
 FREESTANDING TUB



### ROMAN TUB FAUCETS



**Two Handle Roman Tub Faucet**  
 T933 / 4796



**Two Handle Roman Tub Faucet with Hand Shower**  
 T924 / 9796



**Tub Drain Half Kit**  
 T90331 / 140680



**Tub Drain Half Kit**  
 T90331 / 140680

### BRANTFORD FINISH OPTIONS



To order, combine the model number with one of these finish letter(s): LifeShine® Brushed Nickel (BN) & Oil Rubbed Bronze (ORB). To order Chrome (C) model, use model number only.

Chrome, LifeShine® Brushed Nickel (BN), Oil Rubbed Bronze (ORB)



## Brantford™

### PRINCIPAL ENSUITE SHOWER



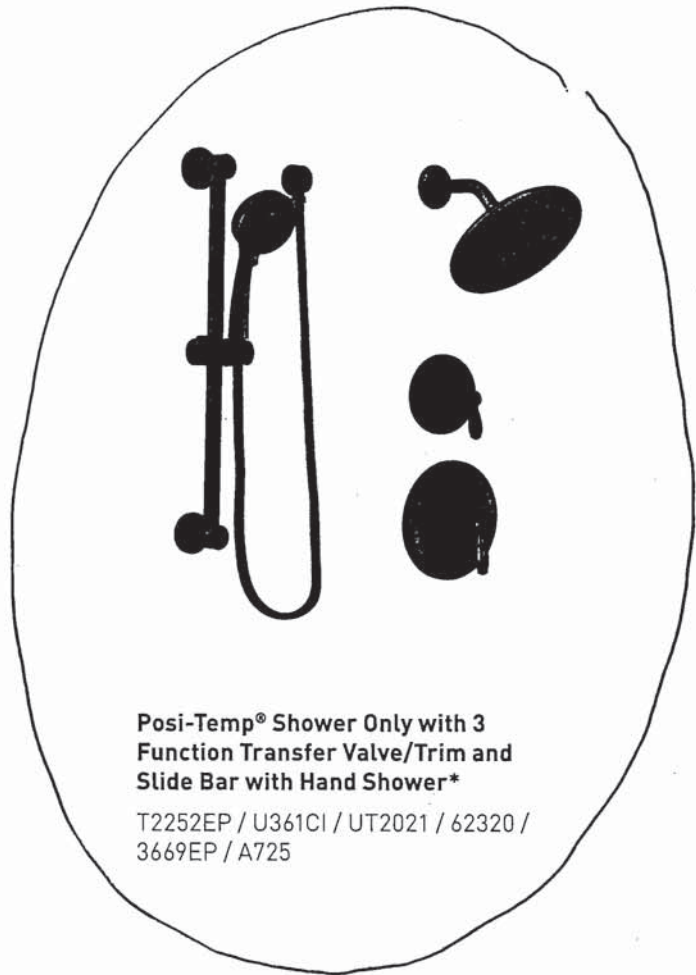
BRANTFORD

POSI-TEMP®



**Posi-Temp® Tub/Shower Faucet with 3 Function Transfer Valve/Trim and Slide Bar with Hand Shower\***

T2253EP / U361CI / UT2021 / 62320 / 3669EP / A725



**Posi-Temp® Shower Only with 3 Function Transfer Valve/Trim and Slide Bar with Hand Shower\***

T2252EP / U361CI / UT2021 / 62320 / 3669EP / A725

#### BRANTFORD FINISH OPTIONS



Chrome, LifeShine® Brushed Nickel (BN), Oil Rubbed Bronze (ORB)

To order, combine the model number with one of these finish letter(s): LifeShine® Brushed Nickel (BN) & Oil Rubbed Bronze (ORB). To order Chrome (C) model, use model number only.

\* Refer to the Shower Design Guide for Installation Instructions

PRINCIPAL ENSUITE  
 ACCESSORIES

Brantford™



BRANTFORD

MATCHING ACCESSORIES



**Toilet Tank Lever**  
 YB2201



**Double Robe Hook**  
 YB2203



**12" Designer Grab Bar**  
 YG2212 ♿



**Paper Holder**  
 YB2208 ✓



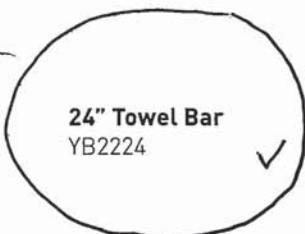
**Towel Ring**  
 YB2286 x2

**18" Designer Grab Bar**  
 YG2218 ♿

**24" Designer Grab Bar**  
 YG2224 ♿



**18" Towel Bar**  
 YB2218



**24" Towel Bar**  
 YB2224 ✓

BRANTFORD  
 FINISH OPTIONS



Chrome, LifeShine® Brushed Nickel, Oil Rubbed Bronze (ORB)

To order, combine the model number with one of these finish letter(s): Chrome (CH), LifeShine® (LS), Brushed Nickel (BN) & Oil Rubbed Bronze (ORB).

♿ ADA-Compliant

ENSUITE 4

**American Standard**

Style That Works Better

**BARRIER FREE**

## BOXE UNDERCOUNTER SINK

VITREOUS CHINA

### BOXE UNDERCOUNTER SINK

- Vitreous china
- Rectangular undercounter mount sink with rectangular interior and flat bottom design bowl
- Unglazed rim
- Front overflow
- Supplied with template
- Meets OBC requirement when sink is installed with overflow to the rear
- Mounting clips available separately (P031006000) (Faucet not included)

**0315 000 Unglazed Rim**  
 508 x 406mm (20" x 16")

Bowl size:  
 438mm (17-1/4") wide,  
 337mm (13-1/4") front to back,  
 127mm (5") deep



#### COMPLIANCE CERTIFICATIONS –

- Meets or exceeds the following Specifications:
- ASME A112.19.2M for Vitreous China Fixtures.
  - CAN/CSA B45 Series.

#### To Be Specified

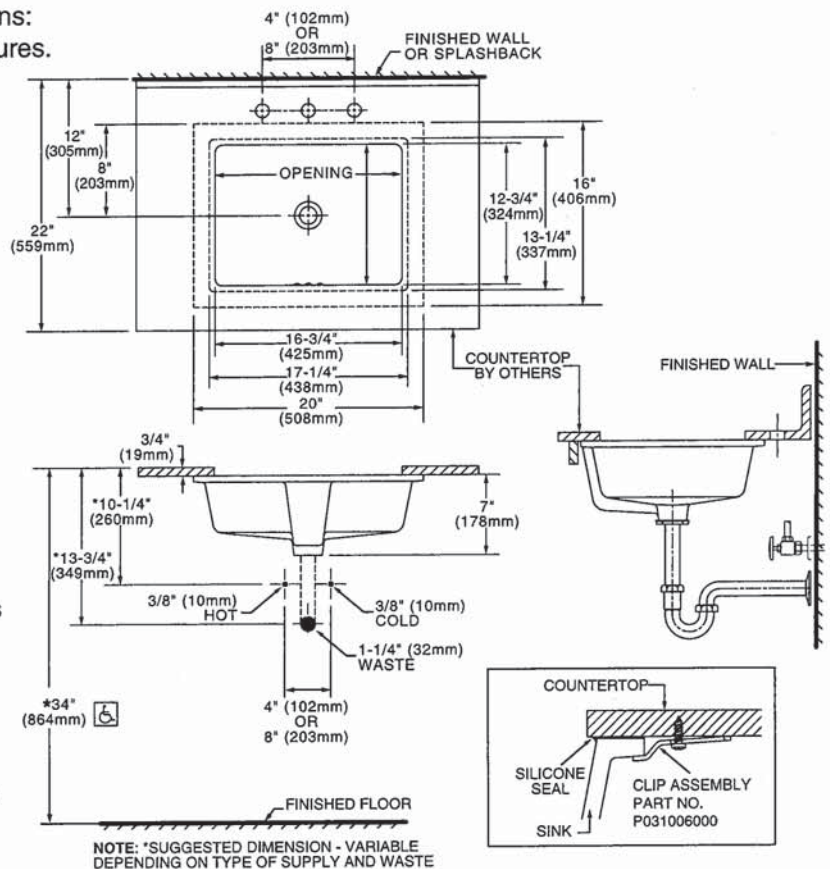
- Colour:  White
- Faucet\*:
- Faucet Finish:
- Supplies & Stops:
- Trap 1-1/4" (32 mm):

\* See faucet section for additional models available

- Countertop 864mm (34") from finished floor. Sink installed 102mm (4") from front edge of countertop. Countertop thickness to be 25mm (1") maximum. **MEETS THE AMERICAN DISABILITIES ACT GUIDELINES AND ANSI A117.1 ACCESSIBLE AND USEABLE BUILDINGS AND FACILITIES - CHECK LOCAL CODES.**

**NOTES:**  
 WE RECOMMEND USING SINK AS A TEMPLATE TO DETERMINE PROPER CONTOUR. CUT COUNTERTOP 38MM (1-1/2") INSIDE SINK CONTOUR. FAUCETS NOT INCLUDED AND MUST BE ORDERED SEPARATELY.  
 \* DIMENSIONS SHOWN FOR LOCATION OF SUPPLIES AND "P" TRAP ARE SUGGESTED.

▼ UNDERCOUNTER MOUNTING KIT SUPPLIED SEPARATELY.  
**IMPORTANT:** Dimensions of fixtures are nominal and may vary within the range of tolerances established by ANSI Standard A112.19.2. These measurements are subject to change or cancellation. No responsibility is assumed for use of superseded or voided pages.



\* To comply with ADA standards, overflow hole must face back.

ENSUITE 4

## Genta™ LX NEW



GENTA LX

### LAVATORY FAUCETS



NEW

**Single Handle Lav Faucet with Lift Rod Drain**

6702



Deckplate included



NEW

**Two Handle Adjustable Widespread (8"-16") Lav Faucet with Lift Rod Drain**

T6708 / 69000



### ROMAN TUB FAUCET



NEW

**Two Handle Roman Tub Faucet**

T908 / 4796



**Tub Drain Half Kit\***

T90331 / 140680

### TUB FILLER



NEW

**One-Handle Wallmount Tub Filler**

WT901 / WMV130XS

### GENTA LX FINISH OPTIONS

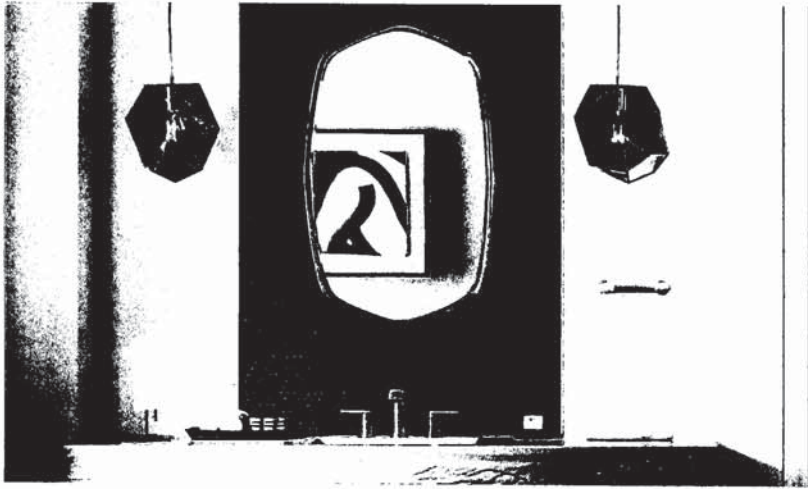


Chrome, LifeShine® Brushed Nickel (BN), Matte Black (BL)

To order, combine the model number with one of these finish letter(s): LifeShine® Brushed Nickel (BN) & Matte Black (BL).  
 To order Chrome (C) model, use model number only.  
 \* Order WR for BL equivalent

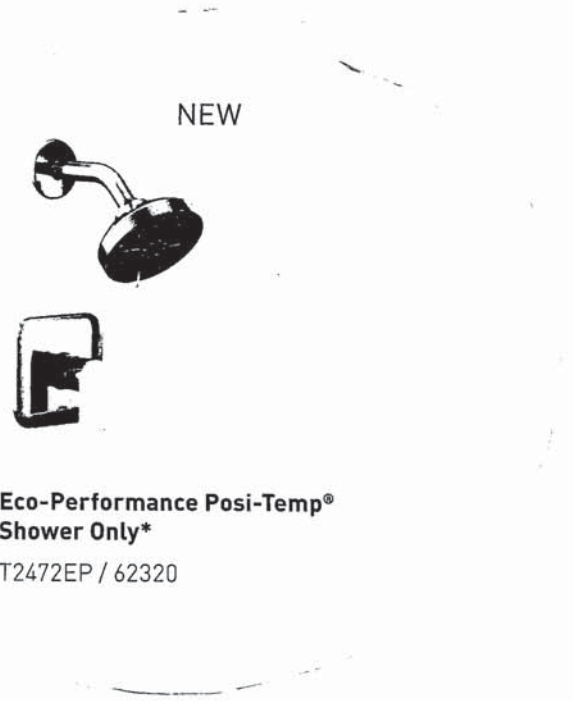
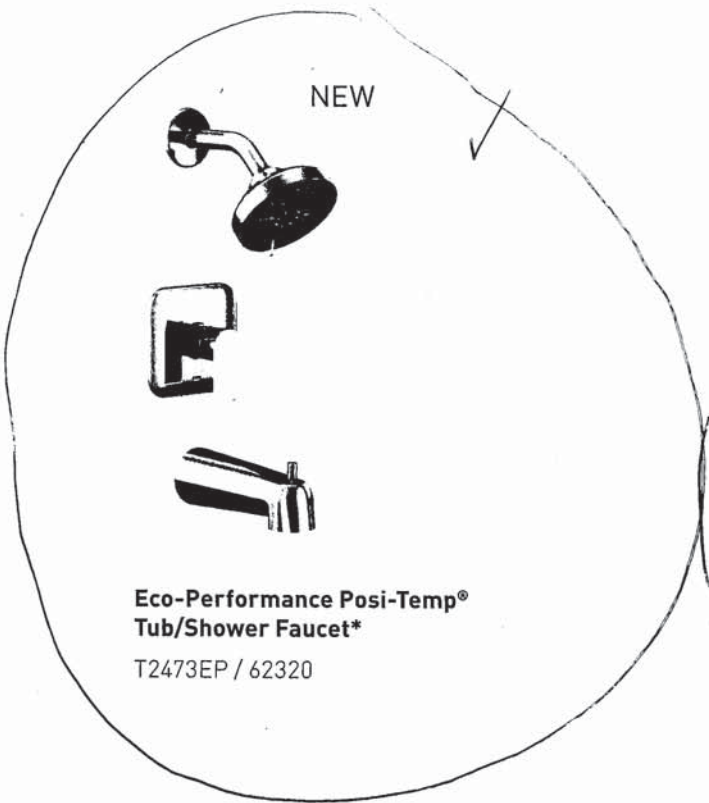
## Genta™ LX NEW

ENSUITE 4



GENTA LX

POSI-TEMP®



### GENTA LX FINISH OPTIONS



Chrome, LifeShine® Brushed Nickel (BN),  
Matte Black (BL)

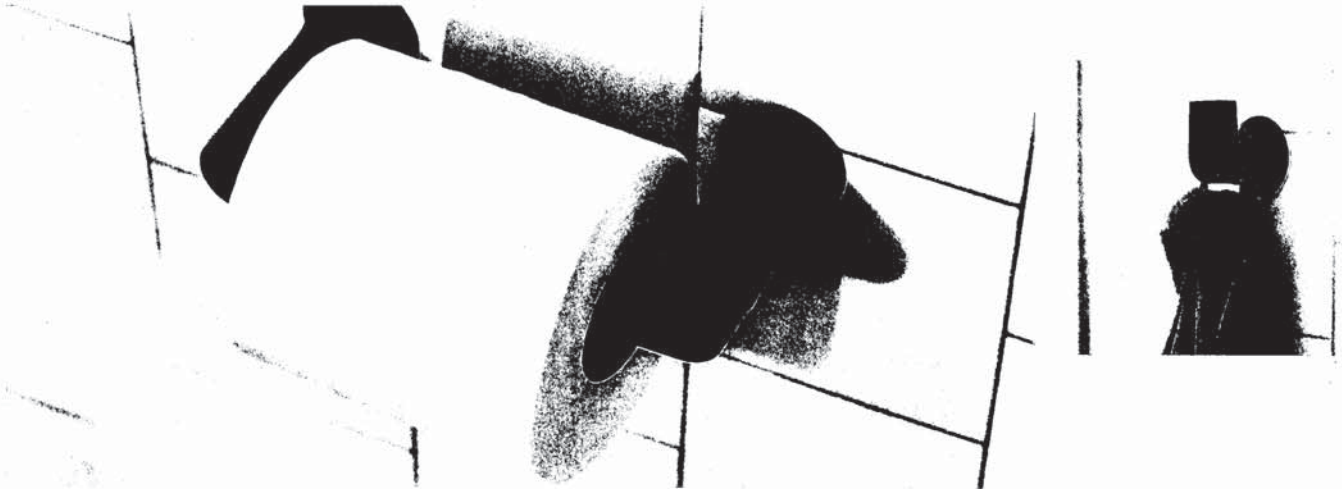
To order, combine the model number with one of these finish letters: LifeShine® Brushed Nickel (BN) & Matte Black (BL).

To order Chrome (C) model, use model number only.

\* Refer to the Shower Design Guide for Installation Instructions

## Genta™

ENSUITE 4



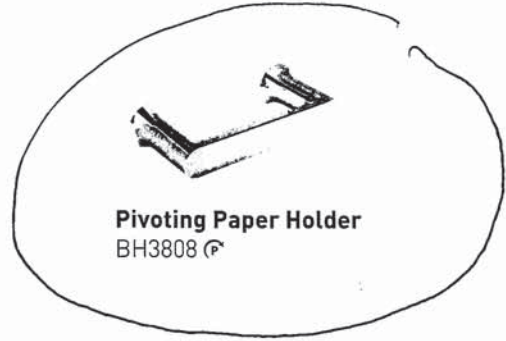
### MATCHING ACCESSORIES



**Robe Hook**  
BH3803



**Hand Towel Bar**  
BH3886



**Pivoting Paper Holder**  
BH3808 Ⓟ



**18" Towel Bar**  
BH3818



**24" Towel Bar**  
BH3824

### GENTA FINISH OPTIONS



Chrome (CH), LifeShine® Brushed Nickel (BN), Matte Black (BL)

To order, combine the model number with one of these finish letter(s): Chrome (CH), LifeShine® Brushed Nickel (BN) & Matte Black (BL).  
Ⓟ Pivoting Technology

2 X SHARED BATHROOM

1 X FINISHED LOWER LEVEL BATHROOM

**American Standard**

Style That Works Better

 BARRIER FREE

**OVALYN™**  
**UNDERCOUNTER SINK**  
VITREOUS CHINA

### OVALYN™ UNDERCOUNTER SINK

- Classic oval undermount sink
- Made from vitreous china
- Front overflow
- Supplied with mounting kit (047194-0070A) and template

**0495.221 Unglazed rim**  
435 x 359mm  
(17-1/8" x 14-1/8")

**0495.300 Glazed underside**

**Bowl size:**

382mm (15-1/16") wide  
306mm (12-1/16") front to back  
140mm (5-1/2") deep

**0496.221 Unglazed rim**  
489 x 413mm  
(19-1/4" x 16-1/4")

**0496.300 Glazed underside**

**Bowl size:**

432mm (17") wide  
356mm (14") front to back  
140mm (5-1/2") deep

**0497.221 Unglazed rim**  
546 x 441mm  
(21-1/2" x 17-3/8")

**0497.300 Glazed underside**

**Bowl size:**

483mm (19") wide  
391mm (15-3/8") front to back  
140mm (5-1/2") deep

**Compliance Certifications -**

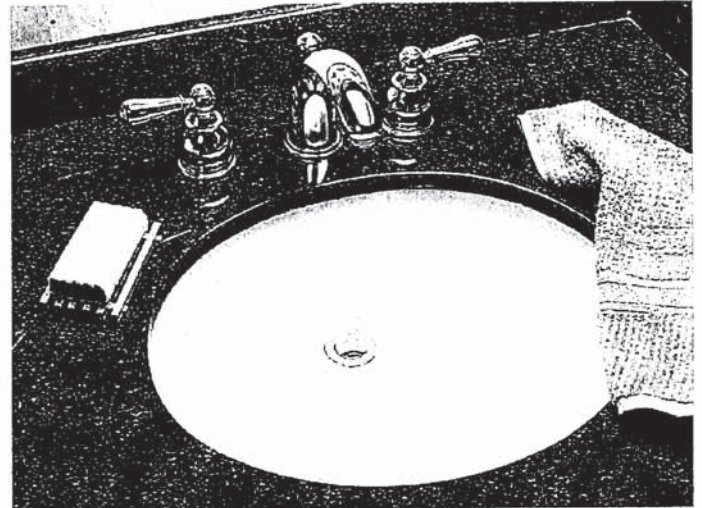
**Meets or Exceeds the Following Specifications:**

- ASME A112.19.2M for Vitreous China Fixtures
- CAN/CSA B45 series

**To Be Specified:**

- Color:  White  Bone  Linen  
 Silver  Fawn Beige  Black
- Faucet\*:  
 Faucet Finish:  
 Supplies:  
 1-1/4" Trap:

\* See faucet section for additional models available



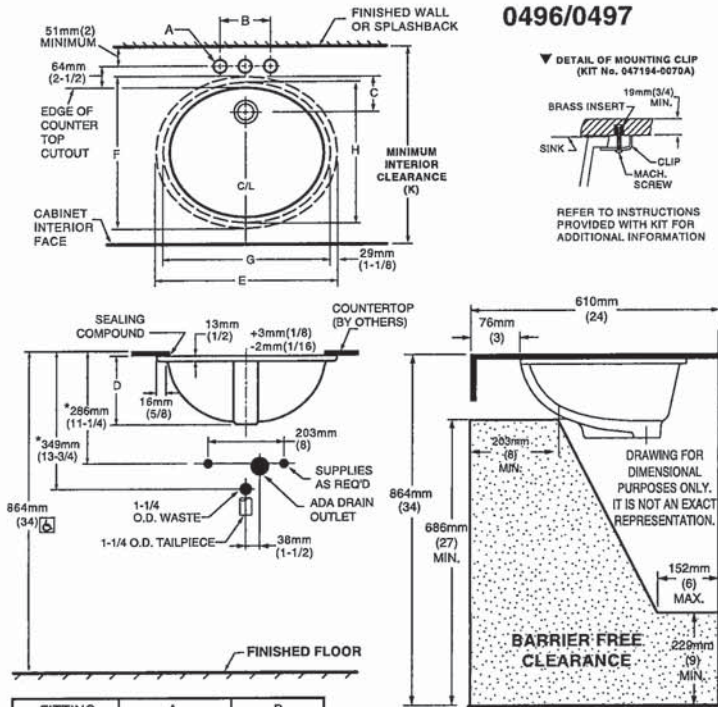
SEE REVERSE FOR ROUGHING-IN DIMENSIONS

**American Standard**  
 Style That Works Better

**OVALYN™**  
**UNDERCOUNTER SINK**  
 VITREOUS CHINA

**BARrier FREE**

**0496/0497**



**NOTES:**  
 \* DIMENSIONS SHOWN FOR LOCATION OF SUPPLIED AND "P" TRAP ARE SUGGESTED.  
 ▼ UNDERCOUNTER MOUNTING KIT SUPPLIED WITH SINK.  
**PLEASE NOTE MINIMUM INTERIOR CLEARANCE DIMENSION (K).** FITTINGS NOT INCLUDED AND MUST BE ORDERED SEPARATELY. USE ENCLOSED TEMPLATE FOR COUNTERTOP CUTOUT SEALING COMPOUND SUPPLIED BY OTHERS.

**IMPORTANT:** Dimensions of fixtures are nominal and may vary within the range of tolerances established by ANSI Standard A112.19.2. These measurements are subject to change or cancellation. No responsibility is assumed for use of superseded or voided pages.



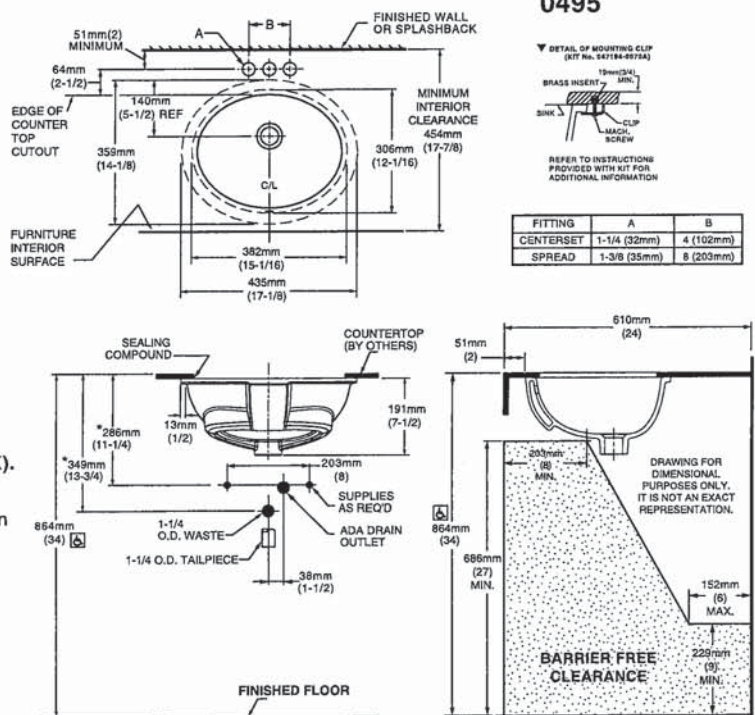
**MEETS THE AMERICANS WITH DISABILITIES ACT GUIDELINES AND ANSI A117.1 ACCESSIBLE AND USEABLE BUILDINGS AND FACILITIES - CHECK LOCAL CODES.**

Countertop 864mm (34") from finished floor. Lavatory installed 76mm (3") from front edge of countertop. Countertop thickness to be 25mm (1") maximum.

FITTING	A	B
CENTERSET	1-1/4 (32mm)	4 (102mm)
SPREAD	1-3/8 (35mm)	8 (203mm)

CAT. NO.	E	F	G	H	C	D	J	K
0496.221	489mm (19-1/4)	413mm (16-1/4)	432mm (17)	356mm (14)	103mm (4-1/16)	182mm (7-3/16)	16mm (5/8)	500mm (19-11/16)
0497.221	546mm (21-1/2)	441mm (17-3/8)	483mm (19)	391mm (15-3/8)	95mm (3-3/4)	191mm (7-1/2)	19mm (3/4)	534mm (21-1/16)

**0495**



FITTING	A	B
CENTERSET	1-1/4 (32mm)	4 (102mm)
SPREAD	1-3/8 (35mm)	8 (203mm)

**NOTES:**  
 USE ENCLOSED TEMPLATE FOR COUNTERTOP CUTOUT. FITTINGS NOT INCLUDED WITH FIXTURE AND MUST BE ORDERED SEPARATELY.  
 \* DIMENSIONS SHOWN FOR LOCATION OF SUPPLIED AND "P" TRAP ARE SUGGESTED.  
 ▼ UNDERCOUNTER MOUNTING KIT SUPPLIED WITH SINK.  
**PLEASE NOTE MINIMUM INTERIOR CLEARANCE DIMENSION (K).** SEALING COMPOUND SUPPLIED BY OTHERS.

**IMPORTANT:** Dimensions of fixtures are nominal and may vary within the range of tolerances established by ANSI Standard A112.19.2. These measurements are subject to change or cancellation. No responsibility is assumed for use of superseded or voided pages



**MEETS THE AMERICANS WITH DISABILITIES ACT GUIDELINES AND ANSI A117.1 ACCESSIBLE AND USEABLE BUILDINGS AND FACILITIES - CHECK LOCAL CODES.**

Countertop 864mm (34") from finished floor. Lavatory installed 51mm (2") from front edge of countertop. Countertop thickness to be 25mm (1") maximum.



SHARED, ENSUITE 4  
 AND FINISHED BASEMENT BATHROOM

*American Standard*

Style That Works Better

**FloWise™ DUAL FLUSH  
 ELONGATED TOILET**

VITREOUS CHINA

**FloWise™ DUAL FLUSH ELONGATED TOILET**

**2476 216**

- Vitreous china
- Low-consumption Dual Flush  
 Full flush 6.0 Lpf/1.3 gpf,  
 Partial flush 3.0 Lpf/0.66 gpf.
- Elongated wash down bowl
- Internal trapway fully-glazed,  
 2-1/4" (57mm) ballpass
- Concealed trapway bowl
- Chrome-plated top mounted  
 push button actuator
- Easy to clean sanitary dam on bowl
- Includes Elongated Slow Close Seat
- 100% factory flush tested
- 2 bolt caps



**Separate Component Parts:**

- 3067 316** Elongated Bowl with Slow Close Seat
- 4035 216** Unlined Tank

**2476 516** Same as above with Lined tank

- 3067 316** Elongated Bowl
- 4035 516** Lined Tank

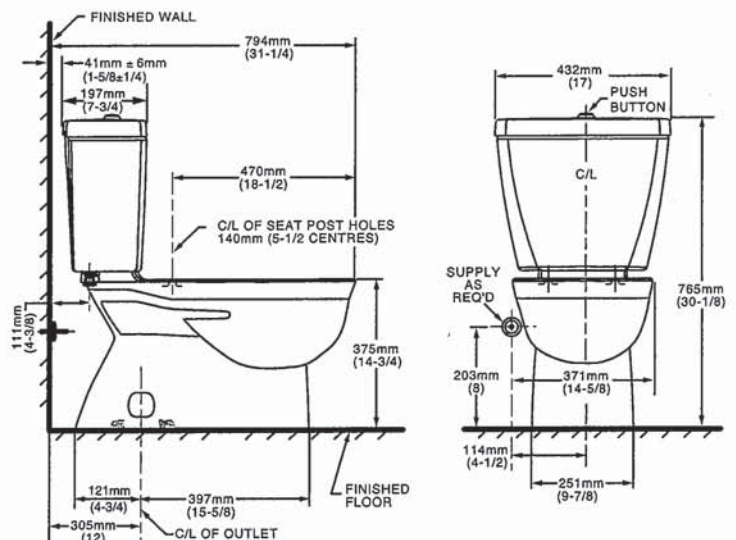
Nominal Dimensions:  
 794 x 432 x 765mm  
 (31-1/4" x 17" x 30-1/8")

**Compliance Certifications -  
 Meets or Exceeds the Following Specifications:**

- ASME A112.19.2M (and 19.6M)
- CAN/CSA B45 series

To Be Specified

- Colour: 020 White
- Supply with stop:



**NOTES:**

THIS TOILET IS DESIGNED TO ROUGH-IN AT A MINIMUM DIMENSION OF 305MM (12") FROM FINISHED WALL TO C/L OF OUTLET.  
 SUPPLY NOT INCLUDED WITH FIXTURE AND MUST BE ORDERED SEPARATELY.  
 \* DIMENSION SHOWN FOR LOCATION OF SUPPLY IS SUGGESTED.  
 FOR ADDITIONAL INFORMATION REFER TO INSTALLATION INSTRUCTIONS SUPPLIED.  
 IMPORTANT: Dimensions of fixtures are nominal and may vary within the range of tolerance established by ANSI Standard A112.19.2  
 These measurements are subject to change or cancellation. No responsibility is assumed for use of superseded or voided pages.

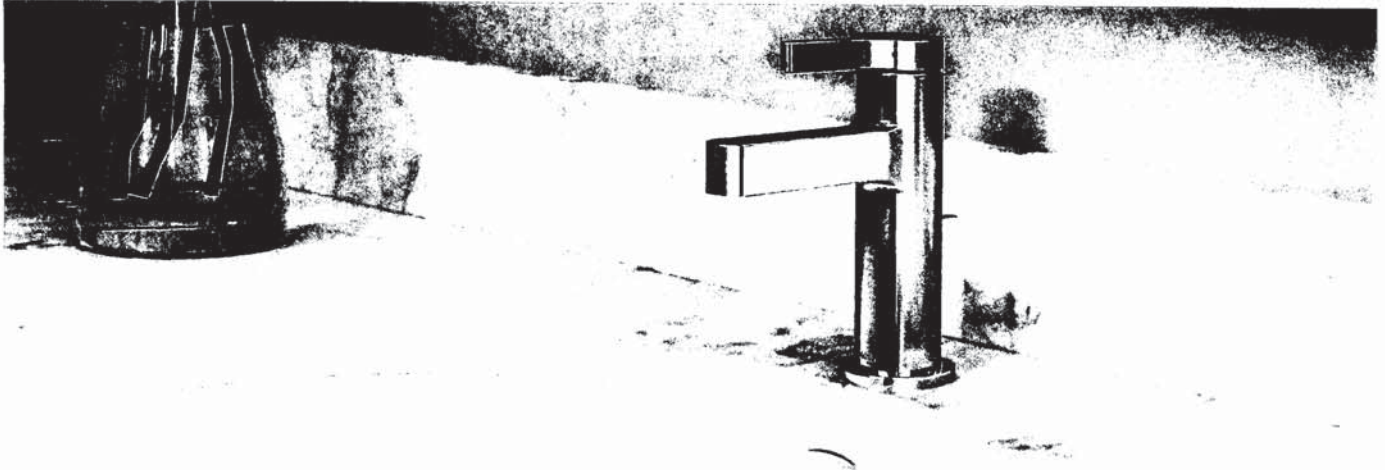
**UPGRADED VALUE ADDED FEATURES AT NO EXTRA CHARGE**

2x SHARED BATHROOM

1x FINISHED BASEMENT BATHROOM

Vichy™

VICHY



LAVATORY FAUCETS



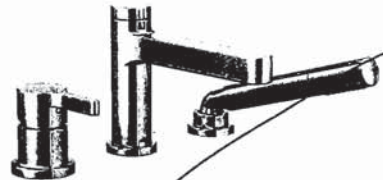
Single Handle Lav Faucet  
 with Lift Rod Drain

6710

Deckplate sold separately | 172666 series

x 3

ROMAN TUB FAUCETS



One Handle Roman Tub Faucet  
 with Hand Shower

T967 / 4791



Tub Drain Half Kit

T90331 / 140680

VICHY  
 FINISH  
 OPTION

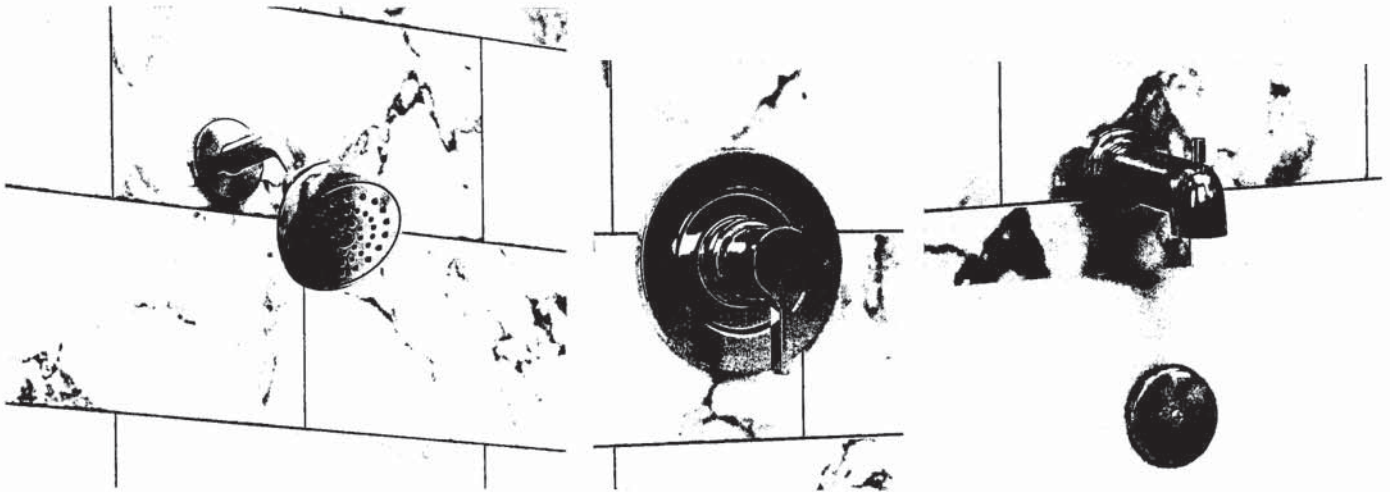


Chrome

To order, use model  
 number only.

1x SHARED BATHROOM TUB  
 1x FINISHED BASEMENT BATHROOM  
 SHOWER

Vichy™



POSI-TEMP® ✓

**Posi-Temp® Tub/Shower Faucet\***  
 T2663EP / 62320

**Posi-Temp® Shower Only\***  
 T2662EP / 62320

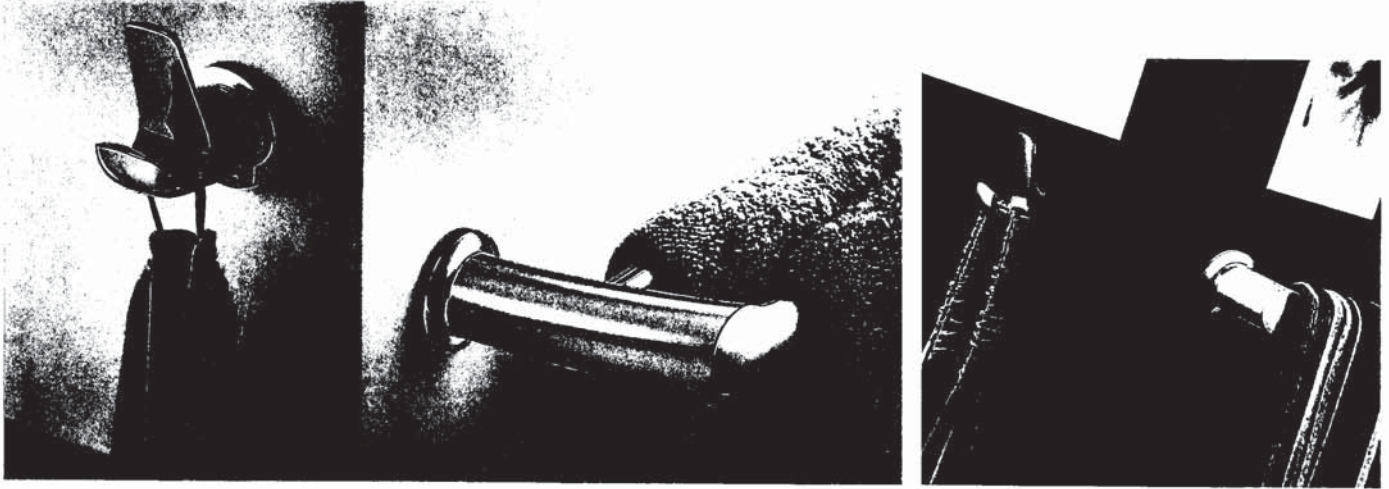
VICHY  
 FINISH  
 OPTION



Chrome

To order, use model number only.  
 \* Refer to the Shower Design Guide for Installation Instructions

## Method™



### COORDINATING ACCESSORIES

**Pivoting Paper Holder**  
 YB2408CH (P)  
 X 2  
 SHARED & LOWER LEVEL  
 BATHROOMS

**Double Robe Hook**  
 YB2403CH  
 1X SHARED  
 BATHROOM

**9" Towel Bar**  
 YB2486CH  
 X 3

2X SHARED BATHROOM  
 1X FINISHED BASEMENT BATHROOM



**18" Towel Bar**  
 YB2418CH

**24" Towel Bar**  
 YB2424CH

### METHOD FINISH OPTION



Chrome (CH)

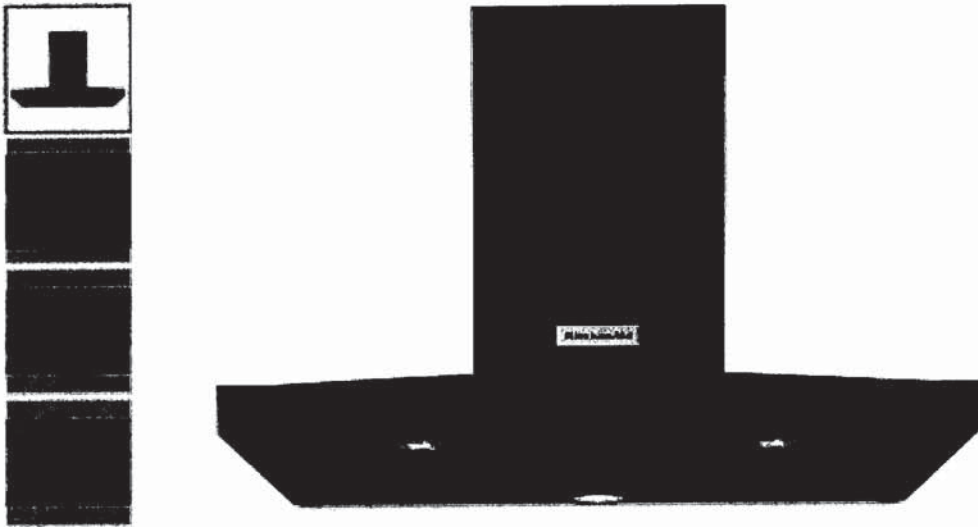
(P) Pivoting  
 Technology

## KitchenAid®

Home > Major Kitchen Appliances > Hoods & Vents > Wall Mount Hoods and Vents > KVWB606HBS

### 36" Wall-Mount, 3-Speed Canopy Hood

Model: KVWB606HBS



#### Key Features

- 4-Speed Electronic Glass Touch Control
- Power Boost Function
- Auto Speed Setting
- Automatic Turn On
- Removable Filters

#### Color

Black Stainless Steel with PrintShield™ Finish



## INSTALLATION REQUIREMENTS

### Tools and Parts

Gather the required tools and parts before starting installation. Read and follow the instructions provided with any tools listed here.

#### Tools Needed

- Level
- Drill with 1¼" (3.0 cm), ⅝" (9.5 mm), and ⅜" (7.9 mm) drill bits
- Pencil
- Wire stripper or utility knife
- Tape measure or ruler
- Pliers
- Caulking gun and weatherproof caulking compound
- Vent clamps
- Jigsaw or keyhole saw
- Flat-blade screwdriver
- Metal snips
- Phillips screwdriver

#### Parts Needed

- Home power supply cable
- ½" (12.7 mm) UL listed or CSA approved strain relief
- UL listed wire connectors (3)

#### For Vented Installations, You Will Also Need:

- 1 wall or roof cap
- Metal vent system

#### For Non-Vented (Recirculating) Installations, You Will Also Need:

- Recirculation Kit Part Number W10692908 for non-vented (recirculating) installations only. See "Assistance or Service" section to order.
- 6" (15.2 cm) diameter round metal vent duct - length required is determined by ceiling height.

#### Parts Supplied

Remove parts from packages. Check that all parts are included.

- Hood canopy assembly with ventilator and LED and halogen lights installed
- Vent transition with back draft dampers installed
- Metal grease filter(s)—depending on model and size
- Vent cover support bracket
- Mounting template
- 2-piece vent cover
- 4.2 x 8 screws (4)
- 5 x 45 mm mounting screws (6)
- D6.4 x 18 mm washers (2)
- 8 x 40 mm wall anchors (2)
- 10 x 60 mm wall anchors (4)
- 5.4 x 75 mm screws (for 10 x 60 mm wall anchors) (4)
- 3.5 x 9.5 mm sheet metal screws (2)
- T10 TORX®† adapter

†TORX is a registered trademark of Acument Intellectual Properties, LLC.

### Location Requirements

**IMPORTANT:** Observe all governing codes and ordinances.

Have a qualified technician install the range hood. It is the installer's responsibility to comply with installation clearances specified on the model/serial/rating plate. The model/serial/rating plate is located behind the left filter on the rear wall of the vent hood.

Canopy hood location should be away from strong draft areas, such as windows, doors and strong heating vents.

Cabinet opening dimensions that are shown must be used. Given dimensions provide minimum clearance.

This range hood is recommended for use with cooktops with a maximum total rating of 65,000 BTUs or less.

Grounded electrical outlet is required. See "Electrical Requirements" section.

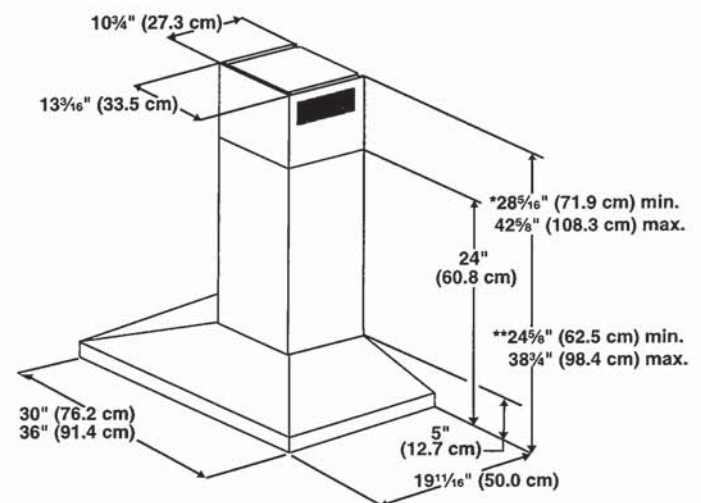
The canopy hood is factory-set for venting through the roof or wall. For non-vented (recirculating) installation see "For non-vented (recirculating) installation only" in the "Connect Vent System" section. Recirculation Kit Part Number W10692908 is available from your dealer or an authorized parts distributor.

All openings in ceiling and wall where canopy hood will be installed must be sealed.

#### For Mobile Home Installations

The installation of this range hood must conform to the Manufactured Home Construction Safety Standards, Title 24 CFR, Part 328 (formerly the Federal Standard for Mobile Home Construction and Safety, Title 24, HUD, Part 280) or when such standard is not applicable, the standard for Manufactured Home Installation 1982 (Manufactured Home Sites, Communities and Setups) ANSI A225.1/NFPA 501A, or latest edition, or with local codes.

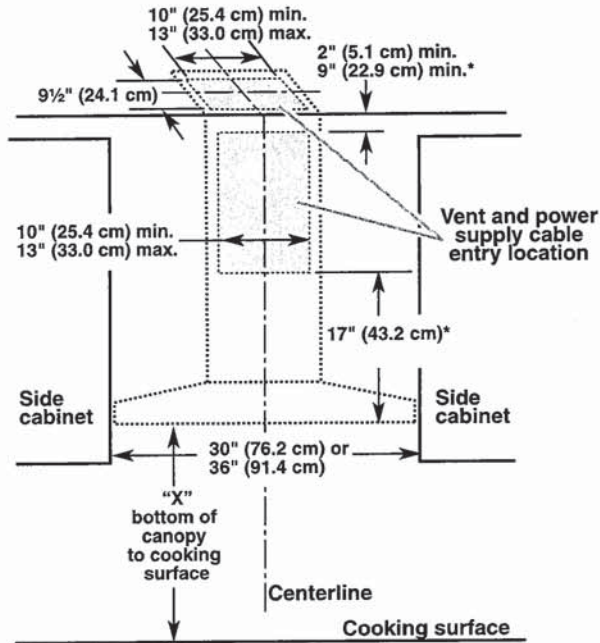
#### Product Dimensions



\*For non-vented (recirculating) installations

\*\*For vented installations

## Cabinet Dimensions



\*For non-vented (recirculating) installations

### IMPORTANT:

Minimum distance "X": 24" (61.0 cm) from electric cooking surface.

Minimum distance "X": 27" (68.6 cm) from gas cooking surfaces.

Suggested maximum distance "X": 36" (91.4 cm)

The chimneys can be adjusted for different ceiling heights. See the following chart.

Vented Installations		
	Min. ceiling height	Max. ceiling height
Electric cooking surface	7' 1" (2.16 m)	9' 2" (2.79 m)
Gas cooking surface	7' 4" (2.23 m)	9' 2" (2.79 m)
Non-vented (recirculating) Installations		
	Min. ceiling height	Max. ceiling height
Electric cooking surface	7' 1" (2.16 m)	9' 6" (2.9 m)
Gas cooking surface	7' 4" (2.23 m)	9' 6" (2.9 m)

**NOTE:** The range hood chimneys are adjustable and designed to meet varying ceiling or soffit heights depending on the distance "X" between the bottom of the range hood and the cooking surface. For higher ceilings, a Chimney Extension Kit is available from your dealer or an authorized parts distributor. The chimney extension replaces the chimney shipped with the range hood. To order, see the "Assistance or Service" section.

## Venting Requirements (Vented Models Only)

- Vent system must terminate to the outdoors except for non-vented (recirculating) installations.
- Do not terminate the vent system in an attic or other enclosed area.
- Do not use 4" (10.2 cm) laundry-type wall caps.
- Use metal vent only. Rigid metal vent is recommended. Plastic or metal foil vent is not recommended.
- The length of vent system and number of elbows should be kept to a minimum to provide efficient performance.

### For the Most Efficient and Quiet Operation:

- Use no more than three 90° elbows.
- Make sure there is a minimum of 24" (61.0 cm) of straight vent between the elbows if more than 1 elbow is used.
- Do not install 2 elbows together.
- Use clamps to seal all joints in the vent system.
- The vent system must have a damper. If the roof or wall cap has a damper, do not use the damper supplied with the range hood.
- Use caulking to seal exterior wall or roof opening around the cap.
- The size of the vent should be uniform.

### Cold Weather Installations

An additional back draft damper should be installed to minimize backward cold air flow and a thermal break should be installed to minimize conduction of outside temperatures as part of the vent system. The damper should be on the cold air side of the thermal break.

The break should be as close as possible to where the vent system enters the heated portion of the house.

### Makeup Air

Local building codes may require the use of makeup air systems when using ventilation systems greater than specified CFM of air movement. The specified CFM varies from locale to locale. Consult your HVAC professional for specific requirements in your area.

## Venting Methods

This canopy range hood is factory set for venting through the roof or through the wall.

A 6" (15.2 cm) round vent system is needed for installation (not included). The hood exhaust opening is 6" (15.2 cm) round.

**NOTE:** Flexible vent is not recommended. Flexible vent creates back pressure and air turbulence that greatly reduce performance.

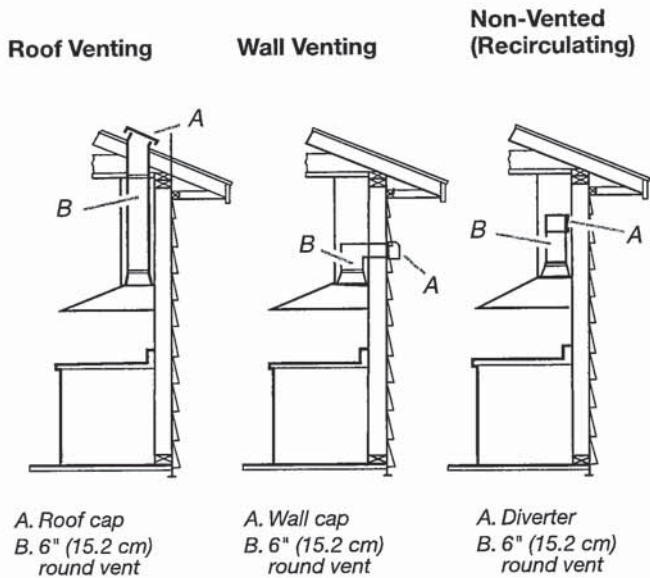
Vent system can terminate either through the roof or wall. To vent through a wall, a 90° elbow is needed.

### Rear Discharge

A 90° elbow may be installed immediately above the hood.



### For Non-Vented (Recirculating) Installations

If it is not possible to vent cooking fumes and vapors to the outside, the hood can be used in the non-vented (recirculating) version, using a Recirculation Kit (which includes charcoal filters and a deflector). To order, see the "Assistance or Service" section.



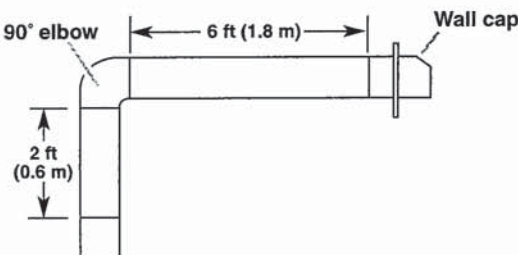
### Calculating Vent System Length

To calculate the length of the system you need, add the equivalent feet (meters) for each vent piece used in the system.

Vent Piece	6" (15.2 cm) Round	
45° elbow	2.5 ft (0.8 m)	
90° elbow	5.0 ft (1.5 m)	

Maximum equivalent vent length is 35 ft (10.7 m).

### Example Vent System



The following example falls within the maximum recommended vent length of 35 ft (10.7 m).

1 - 90° elbow	= 5.0 ft (1.5 m)
1 - wall cap	= 0.0 ft (0.0 m)
8 ft (2.4 m) straight	= 8.0 ft (2.4 m)
<b>Length of system</b>	<b>= 13.0 ft (3.9 m)</b>

## Electrical Requirements

Observe all governing codes and ordinances.

Ensure that the electrical installation is adequate and in conformance with National Electrical Code, ANSI/NFPA 70 (latest edition), or CSA Standards C22.1-94, Canadian Electrical Code, Part 1 and C22.2 No. 0-M91 (latest edition) and all local codes and ordinances.

If codes permit and a separate ground wire is used, it is recommended that a qualified electrician determine that the ground path is adequate.

A copy of the above code standards can be obtained from:

National Fire Protection Association  
 1 Batterymarch Park  
 Quincy, MA 02169-7471  
 CSA International  
 8501 East Pleasant Valley Road  
 Cleveland, OH 44131-5575

- A 120 volt, 60 Hz., AC only, 15-amp, fused electrical circuit is required.
  - If the house has aluminum wiring, follow the procedure below:
    1. Connect a section of solid copper wire to the pigtail leads.
    2. Connect the aluminum wiring to the added section of copper wire using special connectors and/or tools designed and UL listed for joining copper to aluminum.
- Follow the electrical connector manufacturer's recommended procedure. Aluminum/copper connection must conform with local codes and industry accepted wiring practices.
- Wire sizes and connections must conform with the rating of the appliance as specified on the model/serial/rating plate. The model/serial/rating plate is located behind the left filter on the rear wall of the range hood.
  - Wire sizes must conform to the requirements of the National Electrical Code, ANSI/NFPA 70 (latest edition), or CSA Standards C22.1-94, Canadian Electrical Code, Part 1 and C22.2 No. 0-M91 (latest edition) and all local codes and ordinances.



BLACK / STAINLESS

## KitchenAid® Bottom Mount Built-in Refrigerator

FOR THE WAY IT'S MADE.

### PRODUCT MODEL NUMBERS

KBBL206E	KBBR306E	<b>KBEN502E</b>
KBBL306E	KBFN402E	<b>KBFN506E</b>
KBBR206E	KBFN406E	

**IMPORTANT:** Observe all governing codes and ordinances.

**Electrical:** A 115 Volt, 60 Hz., AC only 15- or 20-amp fused, grounded electrical supply is required. It is recommended that a separate circuit serving only your refrigerator be provided. Use an outlet that cannot be turned off by a switch. Do not use an extension cord.

A grounded 3 prong electrical outlet should be placed within 4" (10.2 cm) of the right side cabinets or end panel.

**Location:** Do not install in a location where the temperature will fall below 55°F (13°C). It is recommended that you do not install the refrigerator near an oven, radiator, or other heat source.

- Floor must support the refrigerator weight, more than 600 lbs. (272 kg), door panels, and contents of the refrigerator.
- Ceiling height must allow for side tipping radius. See "Tipping Radius."
- Location should permit door to open fully. See "Door Swing Dimensions."
- Location must permit top grille removal. See "Opening Dimensions."

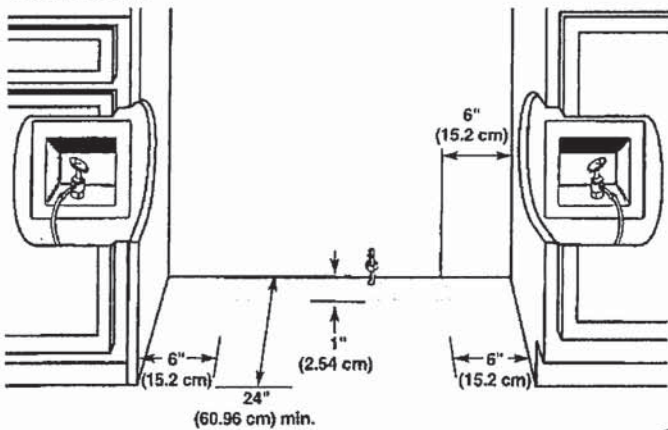
### Water Supply:

A cold water supply with water pressure between 30 and 120 psi (207 and 827 kPa) is required to operate the water dispenser and ice maker. If you have questions about your water pressure, call a licensed, qualified plumber.

### Reverse Osmosis Water Supply

**IMPORTANT:** The pressure of the water supply coming out of a reverse osmosis system going to the water inlet valve of the refrigerator needs to be between 30 and 120 psi (207 and 827 kPa).

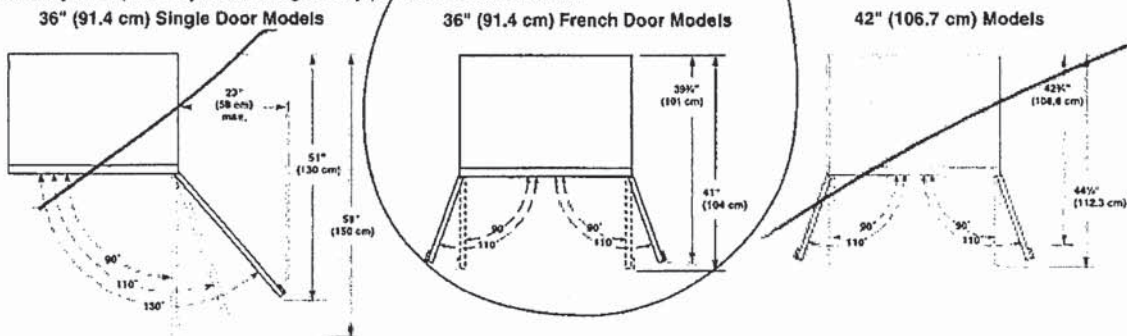
- All installations must meet local plumbing code requirements.
  - The water shutoff should be located in the base cabinet on either side of the refrigerator or some other easily accessible area. The right-hand side is recommended. The access hole through the cabinet must be within 1/2" (12.7 mm) of the rear wall.
- NOTE:** If the water shutoff valve is in the back wall behind the refrigerator, it must be at an angle so that the tube is not kinked when the refrigerator is pushed into its final location.



### DOOR SWING DIMENSIONS

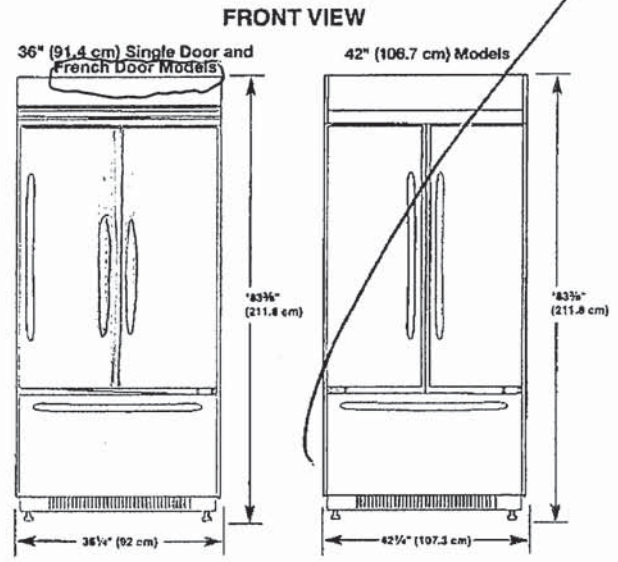
The location must permit the door to open a minimum of 90°. Allow 4 1/2" (11.4 cm) minimum space between the side of the refrigerator and a corner wall.

**NOTE:** More clearance may be required if you are using overlay panels or custom handles.



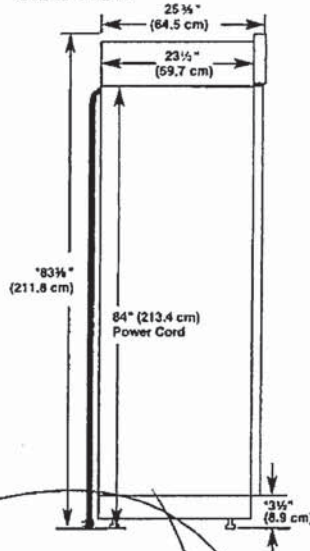
### PRODUCT DIMENSIONS

- Height dimensions are shown with the leveling legs extended to 1/8" (3 mm) below the rollers.
- Width dimensions were measured from trim edge to trim edge.

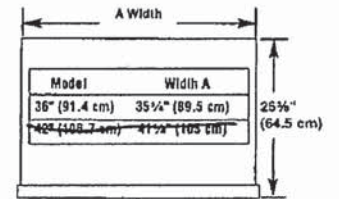


\* When leveling legs are fully extended to 1 1/4" (3.2 cm) below rollers, add 1 1/8" (2.9 cm) to the height dimensions.

### SIDE VIEW



### TOP VIEW



- The water line attached to the back of the refrigerator is 5' (1.5 m) long.

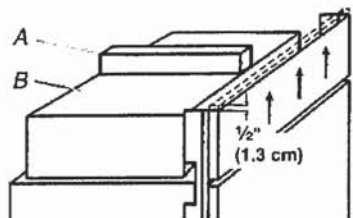
BLACK/STAINLESS

### OPENING DIMENSIONS

To avoid tipping during use, the solid soffit must be within 1" (2.5 cm) maximum above the refrigerator. If the solid soffit is higher than 1" (2.5 cm) or one is not available, then the refrigerator must be braced.

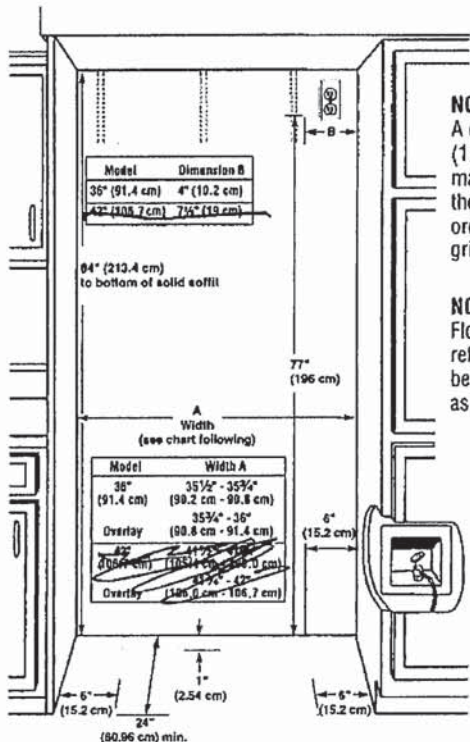
If anti-tip boards are needed, they must be installed to the rear wall studs so that the bottom of the anti-tip board is 84" (213.4 cm) from the floor.

**NOTE:** Do not remove the foam gasket on top of the compressor cover unless removal is necessary to fit the unit under a soffit. Removal of the gasket will cause loss in cooling efficiency.



A. Gasket  
 B. Compressor cover

**NOTE:** If installing under a solid soffit, after installation raise the leveling legs so that the gasket is pressed snugly against the soffit.



**NOTE:**  
 A clearance of 1/2" (1.3 cm) must be maintained above the top grille in order for the top grille to be removed.

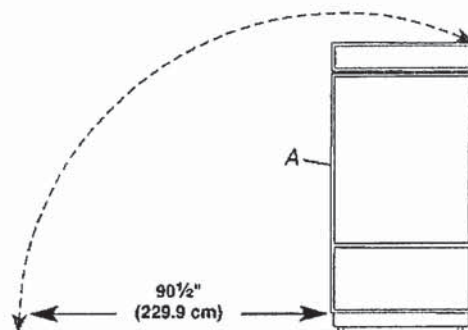
**NOTE:**  
 Flooring under refrigerator must be at same level as the room.

### TIPPING RADIUS

Be sure there is adequate ceiling height to stand the refrigerator upright when it is moved into place.

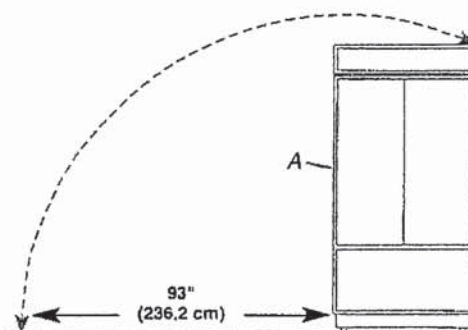
- The dolly wheel height must be added to the tipping radius when a dolly is used.
- If needed, the tipping radius can be reduced. See "Reduce Tipping Radius."

#### Side Tipping Radius (36" [91.4 cm] Models)



A. Tip this side only.

#### Side Tipping Radius (42" [106.7 cm] Models)



A. Tip this side only.

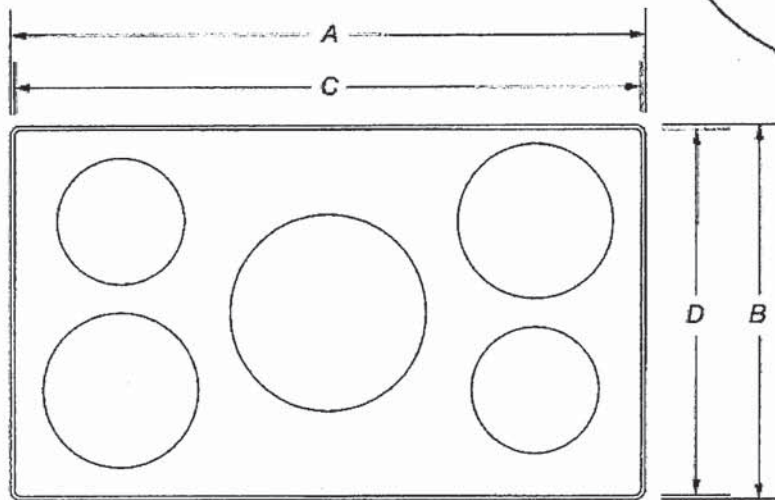
## DIMENSIONS

BLACK / STAINLESS

1 of 21

### INDUCTION COOKTOP PRODUCT DIMENSIONS

MODEL #	30" Cooktop KCIG550JBL/SS KCIG950JBL/SS		36" Cooktop KCIG556JBL/SS KCIG956JBL/SS	
	in	cm	in	cm
Overall Width with Frame (A)	31 <sup>3</sup> / <sub>16</sub>	79.2	36 <sup>11</sup> / <sub>16</sub>	93.2
Depth with Frame (B)	21 <sup>23</sup> / <sub>32</sub>	55.1	21 <sup>23</sup> / <sub>32</sub>	55.1
Overall Width without Frame (C)	30 <sup>3</sup> / <sub>4</sub>	78.2	36 <sup>5</sup> / <sub>16</sub>	92.2
Depth without Frame (D)	21 <sup>1</sup> / <sub>4</sub>	54.1	21 <sup>5</sup> / <sub>16</sub>	54.1



TOP VIEW

**IMPORTANT:** Dimensional specifications are provided for planning purposes only. Do not make any cutouts based on this information. Refer to the Installation Guide before selecting cabinetry, verifying electrical/gas connections, making cutouts or beginning installation. All KitchenAid® appliances are appropriately UL, CUL or CSA approved.

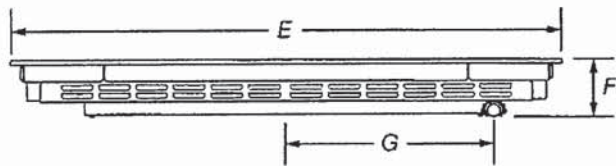
## DIMENSIONS

2 of 21

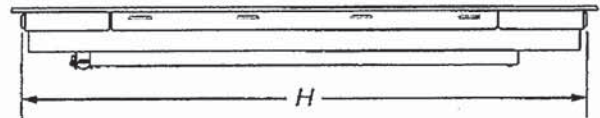
### INDUCTION COOKTOP PRODUCT DIMENSIONS

MODEL #	30" Cooktop KCIG550JBL/SS KCIG950JBL/SS		36" Cooktop KCIG556JBL/SS KCIG956JBL/SS	
	in	cm	in	cm
Glass Width (E)*	30 <sup>35</sup> / <sub>32</sub>	78.2	36 <sup>5</sup> / <sub>16</sub>	92.2
Electric Inlet to Surface (F)	3 <sup>29</sup> / <sub>32</sub>	9.9	3 <sup>29</sup> / <sub>32</sub>	9.9
Center to Electric Inlet (G)	13 <sup>3</sup> / <sub>32</sub>	33.2	13 <sup>25</sup> / <sub>32</sub>	35.0
Recessed Cooktop Width (H)	29 <sup>11</sup> / <sub>32</sub>	74.5	35 <sup>5</sup> / <sub>16</sub>	89.7

\*Includes width of grates and griddle.



FRONT VIEW



BACK VIEW

**IMPORTANT:** Dimensional specifications are provided for planning purposes only. Do not make any cutouts based on this information. Refer to the Installation Guide before selecting cabinetry, verifying electrical/gas connections, making cutouts or beginning installation. All KitchenAid® appliances are appropriately UL, CUL or CSA approved.

**KitchenAid**™

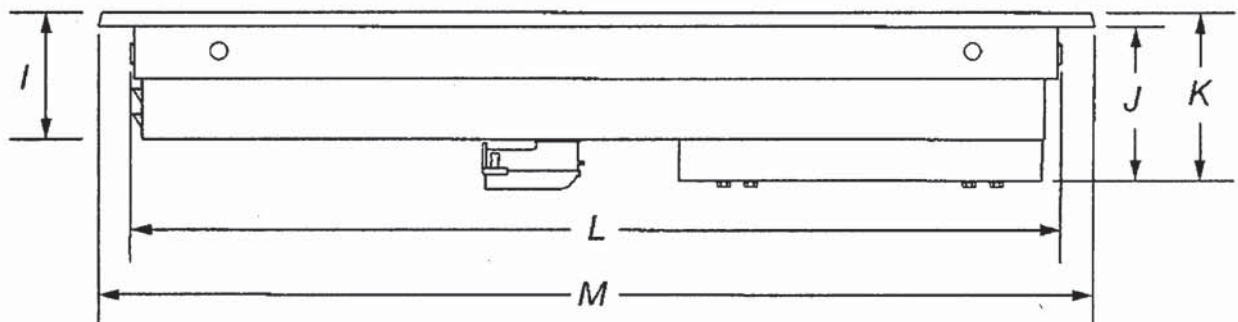
## DIMENSIONS

3 of 21

### INDUCTION COOKTOP PRODUCT DIMENSIONS

MODEL #	30" Cooktop KCIG550JBL/SS KCIG950JBL/SS		36" Cooktop KCIG556JBL/SS KCIG956JBL/SS	
	in	cm	in	cm
Height with Grates (I)	2 <sup>5</sup> / <sub>16</sub>	7.1	2 <sup>5</sup> / <sub>16</sub>	7.1
Control Panel Height (J)	3 <sup>9</sup> / <sub>16</sub>	9	3 <sup>9</sup> / <sub>16</sub>	9.0
Recessed Cooktop Height (K)	3 <sup>23</sup> / <sub>32</sub>	9.4	3 <sup>23</sup> / <sub>32</sub>	9.4
Cooking Surface Height (L)	20 <sup>1</sup> / <sub>4</sub>	51.4	20 <sup>1</sup> / <sub>4</sub>	51.4
Recessed Cooktop Depth (M)	21 <sup>1</sup> / <sub>4</sub>	54.1	21 <sup>1</sup> / <sub>4</sub>	54.1
Depth with Front Edge (M)	22	55.9	22	55.9

**IMPORTANT:** Supplied regulator does not come preattached and is pictured for reference purposes only.



SIDE VIEW

**IMPORTANT:** Dimensional specifications are provided for planning purposes only. Do not make any cutouts based on this information. Refer to the Installation Guide before selecting cabinetry, verifying electrical/gas connections, making cutouts or beginning installation. All KitchenAid® appliances are appropriately UL, CUL or CSA approved.

**KitchenAid®**

## DIMENSIONS

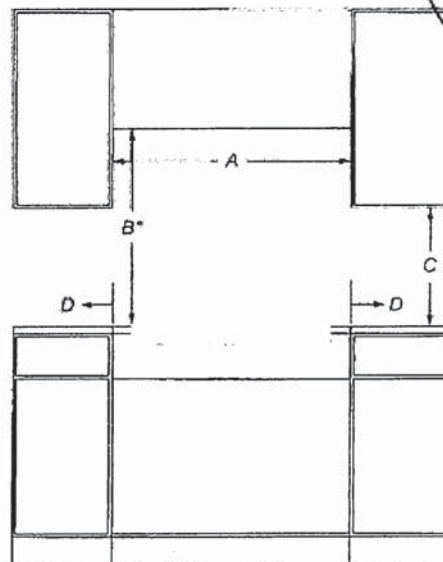
4 of 21

### INDUCTION COOKTOP

### OPENING/CLEARANCE DIMENSIONS

MODEL #	30" Cooktop KCIG550JBL/SS KCIG950JBL/SS		36" Cooktop KCIG556JBL/SS KCIG956JBL/SS	
	in	cm	in	cm
Combustible Area above Cooking Surface Width (minimum) (A)	30	76.2	36	91.4
Bottom of Cabinet Height above Cooking Surface (minimum) (B)*	30	76.2	30	76.2
Bottom of Cabinet Height above Countertop (minimum) (C)	18	45.7	18	45.7
Distance to Fixed Wall or Combustible Material (D)	1	2.5	1	2.5

\*If installing a hood above the cooktop, follow the hood instructions for dimensional clearances above the cooking surface.



FRONT VIEW

**IMPORTANT:** Dimensional specifications are provided for planning purposes only. Do not make any cutouts based on this information. Refer to the Installation Guide before selecting cabinetry, verifying electrical/gas connections, making cutouts or beginning installation. All KitchenAid® appliances are appropriately UL, CUL or CSA approved.

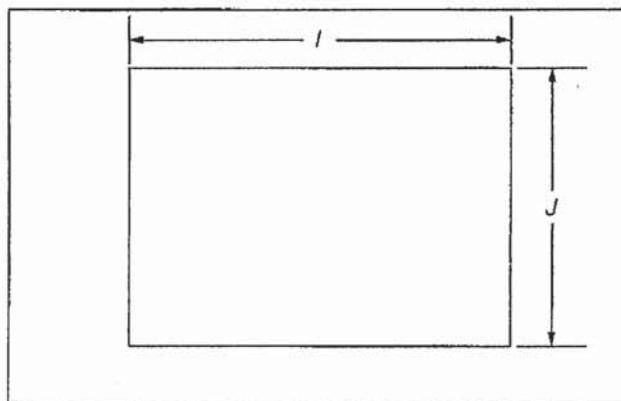
**KitchenAid®**

## DIMENSIONS

### INDUCTION COOKTOP OPENING/CLEARANCE DIMENSIONS

MODEL #	30" Cooktop KCIG550JBL/SS KCIG950JBL/SS		36" Cooktop KCIG556JBL/SS KCIG956JBL/SS	
	in	cm	in	cm
Countertop and Cabinet Cutout Width (I)	29 <sup>9</sup> / <sub>16</sub>	75.1	35 <sup>9</sup> / <sub>16</sub>	90.3
Countertop and Cutout Depth (J)	20 <sup>3</sup> / <sub>4</sub>	52.7	20 <sup>3</sup> / <sub>4</sub>	52.7

**NOTE:** Due to manufacturing factory tolerances, these are nominal dimensions. You may need to readjust to meet your clearance.



TOP VIEW

**IMPORTANT:** Dimensional specifications are provided for planning purposes only. Do not make any cutouts based on this information. Refer to the Installation Guide before selecting cabinetry, verifying electrical/gas connections, making cutouts or beginning installation. All KitchenAid® appliances are appropriately UL, CUL or CSA approved.

**KitchenAid®**

## DIMENSIONS

7 of 21

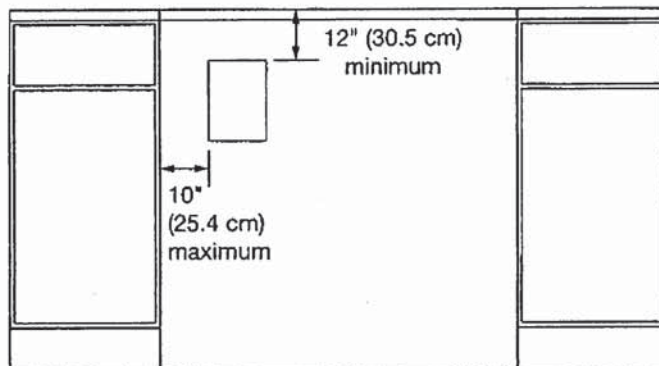
### INDUCTION COOKTOP

### ELECTRICAL REQUIREMENTS

#### ELECTRIC REQUIREMENTS CHECKLIST

- A 240 V, 60 Hz, AC only, fused, electrical circuit is required.
- For 30" (78.2 cm) cooktops, use a 40 A circuit.
- For 36" (91.4 cm) cooktops, use a 50 A circuit.
- A dedicated circuit is recommended.

#### RECOMMENDED ELECTRICAL OUTLET ZONE



FRONT VIEW

**NOTE:** If you have questions about your electrical supply, call a licensed, qualified electrician.

**IMPORTANT:** Dimensional specifications are provided for planning purposes only. Do not make any cutouts based on this information. Refer to the Installation Guide before selecting cabinetry, verifying electrical/gas connections, making cutouts or beginning installation. All KitchenAid® appliances are appropriately UL, CUL or CSA approved.

**KitchenAid®**



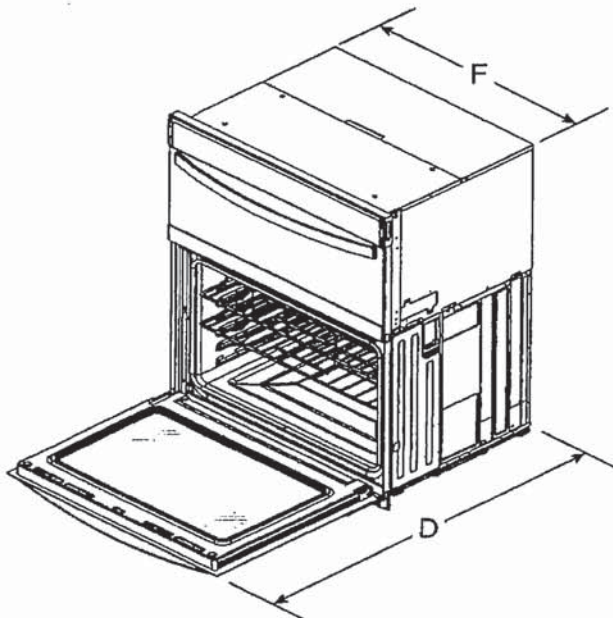
*BLACK/STAINLESS*

## DIMENSION GUIDE

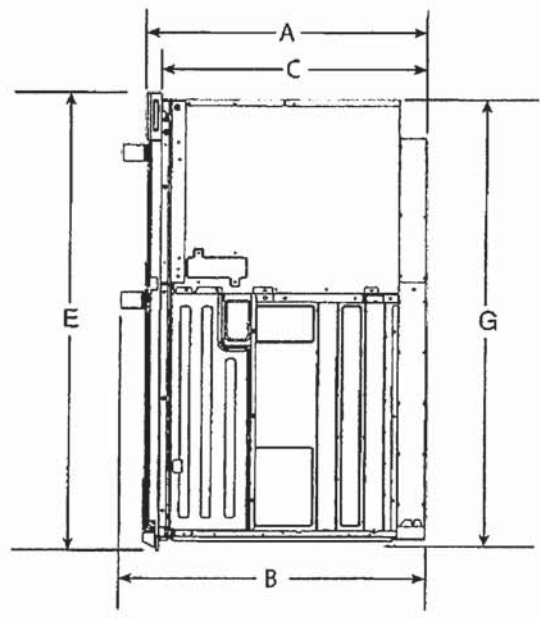
1 of 4

KITCHENAID® ELECTRIC COMBO MICROWAVE/WALL OVEN  
 PRODUCT: KOEC530P

APPLIANCE:		30" ELECTRIC COMBO MICROWAVE/WALL OVEN	
	Units	in	cm
A	Depth Closed Excluding Handle (Flush Install)	24½	62.2
B	Depth Closed Including Handle	26⅞	68.4
C	Depth to Back of Console (Standard Depth)	23⅞	58.6
D	Depth with Door Open 90°	46⅞	117.2
E	Maximum Height (Including Console)	41¼	106
E	Minimum Height (Including Console)	41¼	106
F	Width	29¼	75.6
G	Maximum Height (Not Including Console)	41¼	104.4
G	Minimum Height (Not Including Console)	41¼	104.4



ANGLED VIEW



SIDE VIEW

**IMPORTANT:** Dimensional specifications are provided for planning purposes only. Do not make any cutouts based on this information. Refer to the Owner's Manual before selecting cabinetry, verifying electrical/gas connections, making cutouts or beginning installation.

## DIMENSION GUIDE

2 of 12

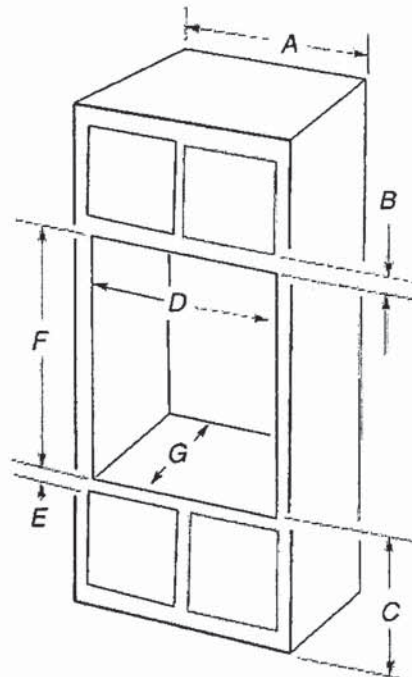
### Location Requirements

**IMPORTANT:** Observe all governing codes and ordinances.

- Cabinet opening dimensions that are shown must be used. Given dimensions provide minimum clearance with oven.
- Recessed installation area must provide complete enclosure around the recessed portion of the oven.
- Grounded electrical supply is required. See "Electrical Requirements" section.
- Electrical supply junction box should be located 3" (7.6 cm) maximum below the support surface when the oven is installed in a wall cabinet. A 1" (2.5 cm) minimum diameter hole should have been drilled in the right rear or left rear corner of the support surface to pass the appliance cable through to the junction box.
- Oven support surface must be solid, level and flush with bottom of cabinet cutout. Floor must be able to support a total weight (microwave and built-in oven) of 249 lbs (113 kg) for 30" (76.2 cm) models.

**IMPORTANT:** To avoid damage to your cabinets, check with your builder or cabinet supplier to make sure that the materials used will not discolor, delaminate or sustain other damage. This oven has been designed in accordance with the requirements of UL and CSA International and complies with the maximum allowable wood cabinet temperatures of 194°F (90°C).

### Cabinet Dimensions - Built-in Microwave/Oven Combination Standard Installation



#### 30" (76.2 cm) models

- A. 30" (76.2 cm) minimum cabinet width
- B. 1/4" (3.2 cm) top of cutout to bottom of upper cabinet door
- C. 19 1/4" (48.9 cm) bottom of cutout to floor is recommended  
7 1/2" - 19 1/4" (19.1 cm - 48.9 cm) bottom of cutout to floor is acceptable.
- D. 28 1/2" (72.4 cm) minimum cutout width
- E. 1 1/2" (3.8 cm) minimum bottom of cutout to top of cabinet door
- F. 41 5/16" (105 cm)\* recommended cutout height
- G. 24" (60.7 cm) cutout depth

\*NOTE: The cutout height can be between 41 1/8" (104.5 cm) and 41 1/2" (105.6 cm) for microwave/oven combination.

BLACK/STAINLESS  
KDTE204K BS

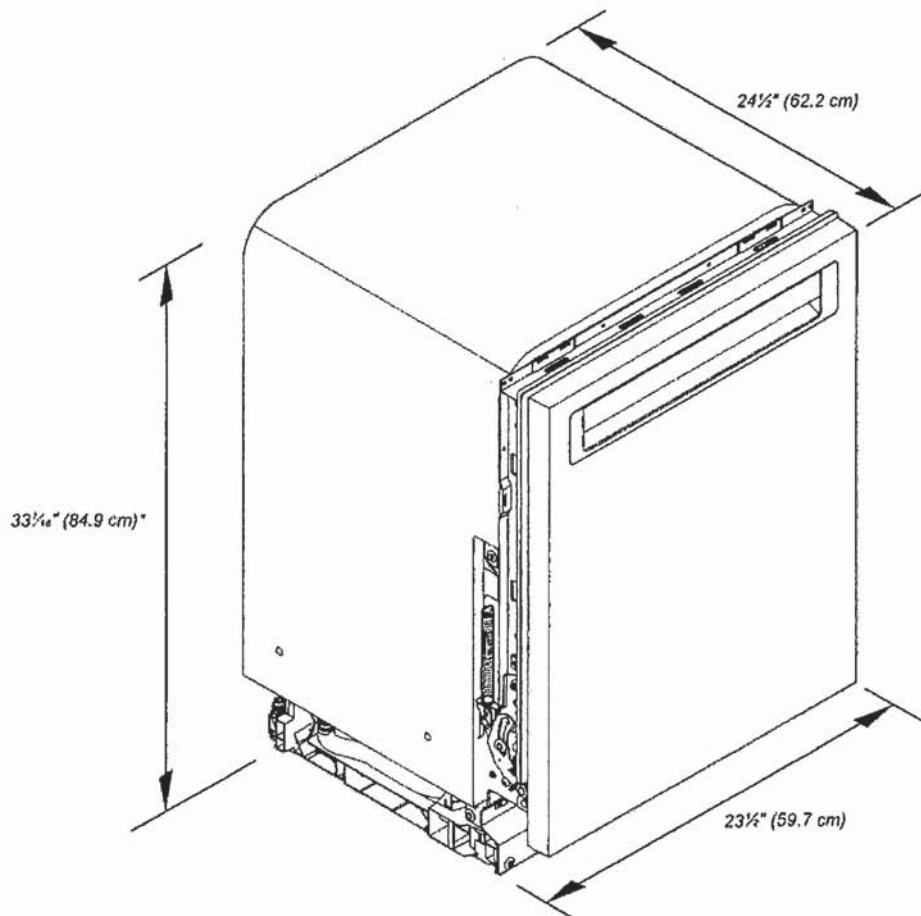
## 24" Dishwasher

### DETAILED PLANNING DIMENSIONS GUIDE

**KitchenAid®**

Applies to all model numbers starting with;  
KDFE104K, KDFE204K, KDTE204K, KDTE204LPA, KDFM404K,  
KDTM404K, KDPM604K, KDTM804K, KDPM704K, KDTM704K,  
KDTM704LPA, KDPM804K, KDTM804K

#### PRODUCT DIMENSIONS



\*Dishwasher can be raised 1 1/8" (3.7 cm) with feet fully extended.

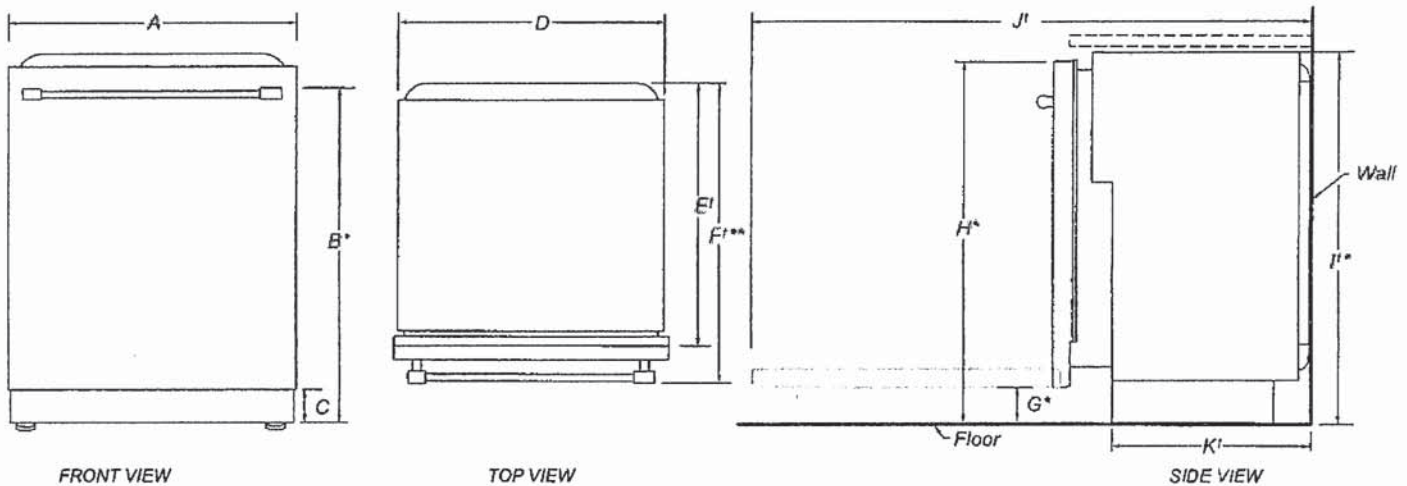
Because Whirlpool Corporation policy includes a continuous commitment to improve our products, we reserve the right to change materials and specifications without notice.

Dimensions are for planning purposes only. For complete details, see installation instructions packed with product. Specifications subject to change without notice.

## KitchenAid® 24" Dishwasher

### DETAILED PLANNING DIMENSIONS GUIDE

#### PRODUCT DIMENSIONS (CONTD.)



	DESCRIPTION	DIMENSIONS
A	Width of door	23½" (59.7 cm)
B*	Height to top of handle	30¹⁄₁₆" (78.3 cm)
C	Height of adjustable toe kick	3⁷⁄₁₆" (8.4 cm) - min. 4¹¹⁄₁₆" (11.8 cm) - max.
D	Width of recessed dishwasher	22⁷⁄₁₆" (57.4 cm)
E'	Depth without door	22⁷⁄₁₆" (57.5 cm)
F**	Depth with Towel Bar Handle	26⁷⁄₁₆" (68.3 cm)
	Depth with Pocket Handle	24½" (62.6 cm)
	Depth of Panel-Ready Models	24" (61.0 cm)
G*	Height to bottom of door (min.)	3⁷⁄₁₆" (8.4 cm)
H*	Height to top of door (min.)	33⁷⁄₁₆" (84.9 cm)
I*	Height of recessed dishwasher (min.)	33⁷⁄₁₆" (85.4 cm)
J'	Depth with door fully open (min.)	50⁷⁄₁₆" (127.4 cm)
K'	Depth with toe kick (min.)	20¹⁷⁄₁₆" (52.9 cm)

†Insulation blanket thickness adds up to 11/16" (1.8 cm) but can crush up to 1/8" (0.3 cm).

\*Dishwasher can be raised 1⁷⁄₁₆" (3.7 cm) with feet fully extended.

\*\*For panel-ready models, dishwasher depth is 24" (61.0 cm), not including the 3/4" (1.9 cm) custom door panel.

Because Whirlpool Corporation policy includes a continuous commitment to improve our products, we reserve the right to change materials and specifications without notice.

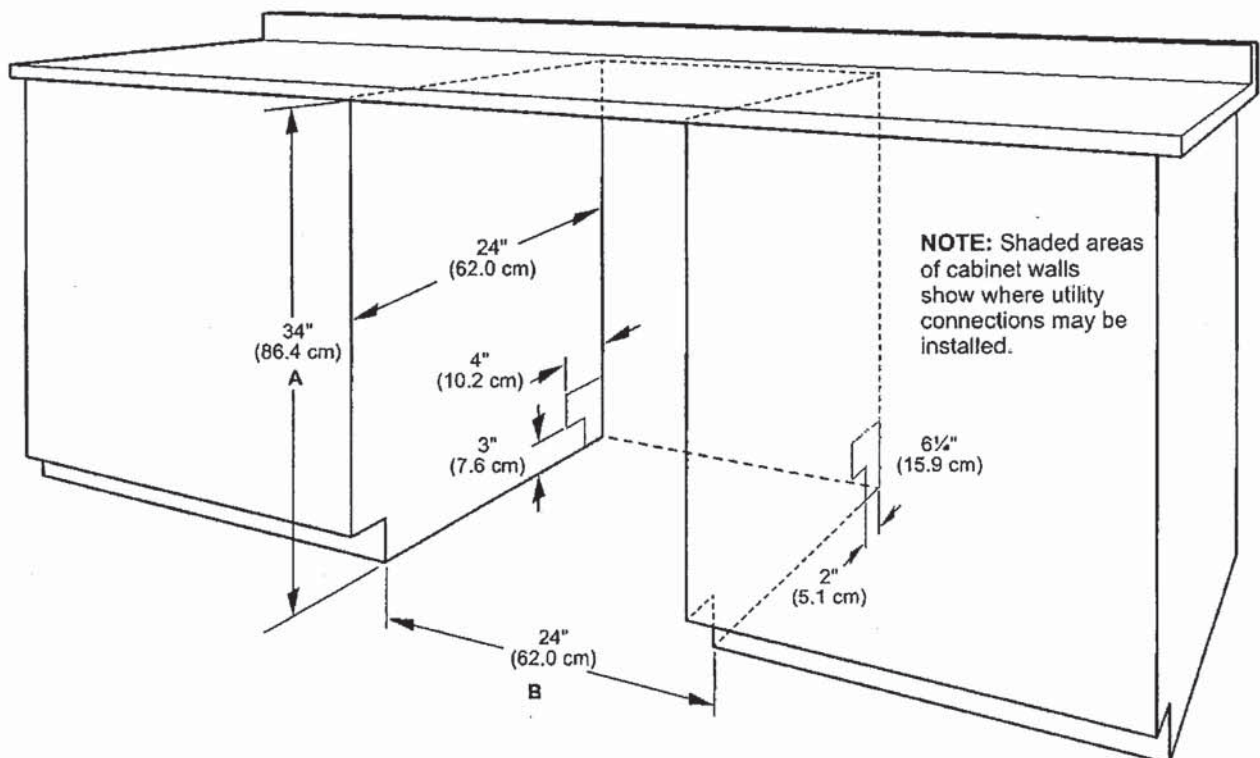
Dimensions are for planning purposes only. For complete details, see Installation Instructions packed with product. Specifications subject to change without notice.

## KitchenAid® 24" Dishwasher

### DETAILED PLANNING DIMENSIONS GUIDE

#### OPENING/CLEARANCE DIMENSIONS

**IMPORTANT:** Check that all surfaces have no protrusions that would prohibit dishwasher installation.



A. Measured from the lowest point on the underside of the countertop. May be reduced to 33½" (85.1 cm) by removing the wheels and perforated area of insulation (blanket) on dishwasher.

B. Minimum, measured from narrowest point of opening.

**NOTE:** Corner locations require a 2" (5.1 cm) minimum clearance between the side of the dishwasher door and the wall or cabinet.

Because Whirlpool Corporation policy includes a continuous commitment to improve our products, we reserve the right to change materials and specifications without notice.

Dimensions are for planning purposes only. For complete details, see Installation Instructions packed with product. Specifications subject to change without notice.

HOME APPLIANCES

## LG LAUNDRY



# WM5500HVA

5.2 cu. ft. Capacity Smart Front Load Energy Star Washer with TurboWash® 360° and AI DD® Built-In Intelligence

- 5.2 cu. ft. Ultra Large Capacity
- Digital Dial Control with LCD Display & Touch Button Control Panel
- TurboWash® 360° Technology
- AI DD®: AI Fabric and Weight Sensors with Smart Pairing
- LG ThinQ® Technology with ThinQ Care
- Allergiene® Cycle
- Cold Wash Technology
- NeveRust® Stainless Steel Drum
- ENERGY STAR® Certified & ENERGY STAR Most Efficient

AVAILABLE COLOURS



### Proactive Smart Alerts to Keep Your Appliances Running Smoothly

## ThinQ Care

- Preventative Alerts help you stay a step ahead of potential issues to find proactive solutions before problems arise.
- Avoid preventable repairs and service calls with real-time diagnostics for a hassle-free experience.
- Integrated within LG's ThinQ app—a smart home hub for managing your smart devices and appliances.

### SUMMARY

Type	Front Load Dryer
Capacity (cu. ft.)	5.2 cu. ft.
Matching Electric Dryer	DLEX5500V
Matching Gas Dryer	DLGX5501V
Color	Graphite Steel (V)
<b>APPEARANCE</b>	
LCD Display	Yes
Touch Buttons	Yes
Dial-A-Cycle®	Yes
<b>ENERGY</b>	
ENERGY STAR® Most Efficient	Yes
ENERGY STAR® Certified	Yes
CEE Tier	Tier 2
IMEF	2.92
IWF	3.0
<b>DRYER PROGRAMS</b>	
No. of Programs	25
Programs (Sensor Dry)	Normal, AI Wash, Bedding, Delicates, Towels, Quick Wash, Heavy Duty, Allergiene®, Perm. Press, Tub Clean, Bright Whites™, Sanitary, Rinse+Spin, Spin Only, Hand/Wool, Active Wear, Swimwear, Kids Wear, Jeans, Dresses, Color Care, Sweat Stains, Small Load, Large Load, XLarge Load
No. of Options	15
Options	TurboWash®, Steam, Fresh Care, Pre-wash, Remote Start, Delay Wash, Wi-Fi, Add Item, Extra Rinse, Control Lock, Drum Light, Cold Wash, Signal, Cycle List Edit, Cycle Optimization
<b>WASH DETAILS</b>	
No. of Wash/Rinse Temps	5
Wash/Rinse Temps	Ex. Hot, Hot, Warm, Cold, Tap Cold

### No. of Spin Speeds

Spin Speeds	5
Max RPM	Ex. High, High, Medium, Low, No Spin
Water Levels	1300
No. of Soil Levels	Load Sensing
<b>FABRIC CARE FEATURES</b>	
AI DD®	Yes
TurboWash® 360° Technology	Yes
Steam Technology	Yes
Allergiene® Cycle	Yes
Sanitary Cycle	Yes
Cold Wash Option	Yes

### CONVENIENCE FEATURES

Vibration Sensing (Cabinet Vibration Sensor)	Yes
TrueBalance® Anti-Vibration System	Yes
4 Tray Dispenser	Yes
End of Cycle Signal	Yes
LoadSense	Yes
Control Lock	Yes
Auto Suds Removal	Yes
Leveling Legs	4 Adjustable Legs
Drum Light	Yes

### ThinQ® TECHNOLOGY

Smart Diagnosis	Yes
Wi-Fi	Yes
Energy Monitoring	Yes
Tub Clean Coach	Yes
<b>MOTOR AND AGITATOR</b>	
Motor Type	Inverter Direct Drive Motor
Axis	Horizontal

Ex. High, High, Medium, Low, No Spin	5
Load Sensing	Yes
Max RPM	1300
No. of Spin Speeds	5
AI DD®	Yes
TurboWash® 360° Technology	Yes
Steam Technology	Yes
Allergiene® Cycle	Yes
Sanitary Cycle	Yes
Cold Wash Option	Yes
Vibration Sensing (Cabinet Vibration Sensor)	Yes
TrueBalance® Anti-Vibration System	Yes
4 Tray Dispenser	Yes
End of Cycle Signal	Yes
LoadSense	Yes
Control Lock	Yes
Auto Suds Removal	Yes
Leveling Legs	4 Adjustable Legs
Drum Light	Yes
Smart Diagnosis	Yes
Wi-Fi	Yes
Energy Monitoring	Yes
Tub Clean Coach	Yes
Motor Type	Inverter Direct Drive Motor
Axis	Horizontal

### MATERIALS AND FINISHES

NeveRust® Stainless Steel Drum	Yes
Cabinet	Painted Steel (One unit)
Control Panel	Painted Steel
Top Plate	Painted Steel
Door / Rim	Glass / STS Silver
Door Cover	Tempered Glass Door
All Available Colors	Graphite Steel (V)
<b>CERTIFICATION</b>	
Asthma Canada	Yes
<b>POWER SOURCE</b>	
Ratings	UL Listed
Electrical Requirements	120V, 10 Amps
Type	Electric
<b>OPTIONS/ACCESSORIES</b>	
Pedestal	WDP6V
Pedestal (WxHxD)	27" x 13 5/8" x 25 3/8" (43 7/8" D with door open)
LG Sidekick™ Pedestal Washer	WD300CV
LG Sidekick™ Pedestal Washer (WxHxD)	27" x 14 1/8" x 30 3/4" (50 1/2" D with drawer open)
Stacking Kit	KSTK4
<b>DIMENSIONS</b>	
Product (WxHxD)	27" x 39" x 30 1/4"
Depth with Door Open	55"
Carton (WxHxD)	29 1/2" x 42 1/8" x 31 1/2"
Weight (Product/Carton)	200.8 / 214.4 lbs.
<b>LIMITED WARRANTY</b>	
Parts & Labor	1 Year
Drum	3 Years
Direct Drive Motor	10 Years
<b>UPC CODES</b>	
WM5500HVA (Graphite Steel)	195174052976



HOME APPLIANCES

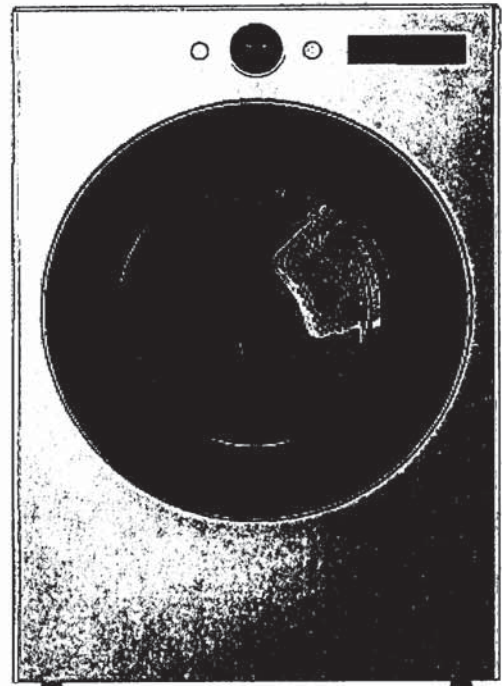
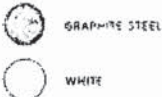
## LG LAUNDRY

### DLEX5500\_ / DLGX5501\_

7.4 cu. ft. Capacity Energy Star Smart Front Load Dryer with AI Sensor Dry & TurboSteam®

- 7.4 cu. ft. Ultra Large Capacity
- Digital Dial Control with LCD Display & Touch Button Control Panel
- AI Sensor Dry with Smart Pairing
- TurboSteam®, SteamFresh®, and SteamSanitary® Technology
- Wrinkle Care Option
- LG ThinQ® Technology with ThinQ Care
- FlowSense® Duct Clogging Indicator
- Tempered Glass Door (Reversible)
- NeveRust® Stainless Steel Drum
- ENERGY STAR® Certified

#### AVAILABLE COLORS



#### Proactive Smart Alerts to Keep Your Appliances Running Smoothly

### ThinQ Care

- Preventative Alerts help you stay a step ahead of potential issues to find proactive solutions before problems arise.
- Avoid preventable repairs and service calls with real-time diagnostics for a hassle-free experience.
- Integrated within LG's ThinQ app—a smart home hub for managing your smart devices and appliances.

#### SUMMARY

Type	Front Load Dryer
Vent Type	Vented
Dryer Type	Elec: DLEX5500V / DLEX5500W Gas: DLGX5501V / DLGX5501W
Capacity	7.4 cu. ft.
Matching Washer	WM5500HVA / WM5500HWA
Sensor Dry	Yes
Steam	Yes
Color	Graphite Steel (V), White (W)
<b>APPEARANCE</b>	
LCD Display	Yes
Touch Buttons	Yes
Dial-A-Cycle™	Yes
<b>DRYER PROGRAMS</b>	
No. of Programs	23
Programs (Sensor Dry)	Normal, AI Dry, Bedding, Delicates, Towels, Quick Dry, Timed Dry, Power Dry, Perm. Press, SteamFresh™, Heavy Duty, Air Dry, Steam Sanitary™, Super Dry, Active Wear, Jeans, Blanket Refresh, Low Temp Dry, Overnight Dry, Easy Ironing, Small Load, Large Load Dry, X Large Load Dry
No. of Options	11
Options	Cycle Optimization, Damp Dry Signal, Wrinkle Care, Control Lock, Wi-Fi, Energy Saver, TurboSteam®, Reduce Static, Remote Start, Drum Light, Signal, Cycle Edit List
Temperature Settings	High, Med, High, Medium, Low, Ultra Low
Drying Levels	Very Dry, More Dry, Normal Dry, Less Dry, Damp Dry
Manual Dry Times	10 min – 100 min (10 min increments)

#### FABRIC CARE FEATURES

AI Sensor Dry	Yes
Sensor Dry	Yes
Precise Temperature Control with Variable Heater	Yes
Steam	TurboSteam®
<b>CONVENIENCE FEATURES</b>	
3 Minute Installation Check	Yes
End of Cycle Signal	Yes
Drum Light (Door Open)	Yes
Reversible Door	Yes
FlowSense® Duct Clogging Indicator	Yes
Wrinkle Care Option	Yes
Control Lock	Yes
Venting Option	Electric: 4 Way Venting / Gas: 3 Way Venting
4 Adjustable Legs	Yes
Remaining Time Display / Status Indicator(s)	Yes
<b>ThinQ™ TECHNOLOGY</b>	
Smart Diagnosis	Yes
Wi-Fi	Yes
ThinQ Care	Yes
Remote Start and Cycle Monitor	Yes
Energy Monitoring	Yes
<b>ENERGY</b>	
ENERGY STAR® Certified	Yes
CEF	Electric: 3.94 / Gas: 3.49
<b>MATERIALS AND FINISHES</b>	
NeveRust® Stainless Steel Drum	Yes
Cabinet	Painted Steel
Door	Tempered Glass Door
All Available Colors	Graphite Steel (V), White (W)

#### POWER SOURCE

Ratings	CSA Listed
Electrical Requirements	Elec: 120/240V, 60Hz, 26A Gas: 120V, 60Hz, 11.5A
Type	Electric, Gas
BTU Rating	Gas: 20,000
<b>OPTIONS</b>	
LP Conversion Kit	383EEL3002D
Side Venting Kit	3911EZ9131X
Drying Rack	3750EL1001A
Pedestal	WDP6V, WDP6W
Pedestal (WxHxD)	27" x 13 5/8" x 28" (43 7/8" D with door open)
<b>DIMENSIONS</b>	
Product (WxHxD)	27" x 39" x 29 3/4"
Depth with Door Open	51 3/8"
Carton (WxHxD)	28 7/8" x 46 1/2" x 31 3/8"
Product Weight (lbs.)	Electric: 124.3 lbs / Gas: 136.0 lbs.
Carton Weight (lbs.)	Electric: 136.5 lbs. / Gas: 146.6 lbs.
<b>LIMITED WARRANTY</b>	
Parts & Labor	1 Year
Drum	3 Years
<b>UPC CODES</b>	
DLEX5500V (Graphite Steel)	195174048580
DLGX5501V (Graphite Steel)	195174048894
DLEX5500W (White)	195174048603
DLGX5501W (White)	195174048900

## Frigidaire



Bottom Freezer Refrigerator

11.5 Cu. Ft. Bottom Freezer Refrigerator

FRBG1224AV

Available Colors : Brushed Steel

Version : 08/21

<b>Refrigerator</b>	
Crisper Color	Clear
Door Bin Color	Clear
Interior Lighting	LED
Shelf Material	Glass
Number of Fixed 2 Liter Door Bins	1
Number of Other Door Bins	2
Total Number of Door Bins	3
Number of Adjustable Shelves	2
Number of Fixed Shelves	1
Number of Crispers	1

<b>Freezer</b>	
Automatic Defrost	Yes
Baskets / Bins Color	Clear
Drawer Color	Clear
Number of Baskets / Bins	3
Number of Drawers	3

<b>Controls</b>	
Control Location	Top Center of Fresh Food

<b>Exterior</b>	
Door Finish	Smooth
Door Stops	Yes

<b>Dimensions and Volume</b>	
Height With Hinge	72 8/10"
Width	23 6/10"
Width of Cabinet	23 42/100"
Depth of Cabinet	23 23/100"
Depth With Door	27 2/10"
Freezer Capacity	3.72 Cu. Ft.
Fresh Food Capacity	7.79 Cu. Ft.
Total Capacity	11.51 Cu. Ft.

<b>Electrical Specifications</b>	
Amps @ 120 Volts	1.1 Amps

<b>General Specifications</b>	
Annual Energy	397 kWh
Condenser Type	Air-cooled
Leveling Legs	Yes
Prop 65 Label	Yes
Refrigerant Type	R-600A
Warranty - Labor	1 Year
Warranty - Parts	1 Year

<b>Performance Certifications and Approvals</b>	
ENERGY STAR Certified	Yes

<b>Safety Certifications and Approvals</b>	
CSA Listed	Yes

**REFRIGERATOR DOOR SWING**  
 LEFT HAND DOOR OPENING  
 - HINGES ON LEFT  
 - HANDLE ON RIGHT

~~**REFRIGERATOR DOOR SWING**  
 RIGHT HAND DOOR OPENING  
 - HINGES ON RIGHT  
 - HANDLE ON LEFT~~

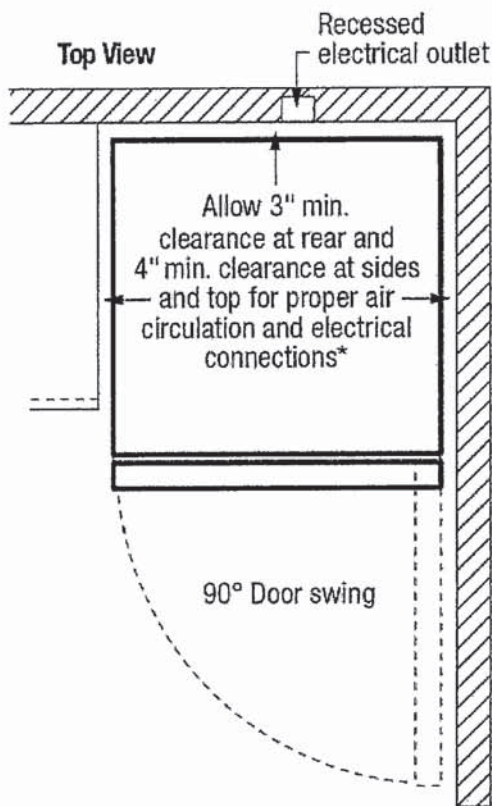


## Frigidaire

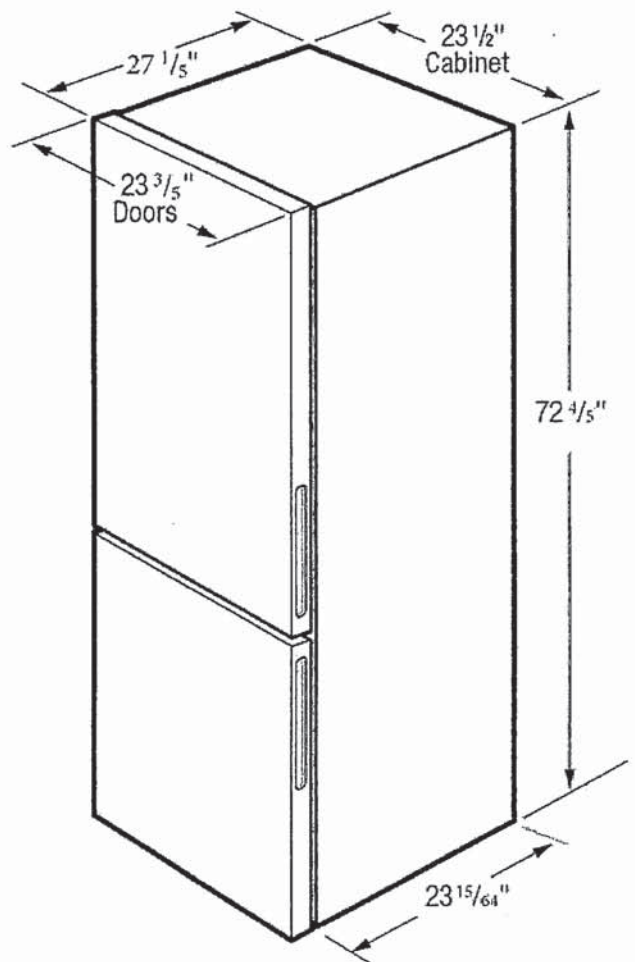
11.5 Cu. Ft. Bottom Freezer Refrigerator

FRBG1224AV

Version : 08/21



\* When installing refrigerator adjacent to wall, cabinet or other appliance that extends beyond front edge of unit, 20" minimum clearance recommended to allow for optimum 140° door swing.



SPACES  
 KITCHENETTE



## 1.7 cu. ft. Over-the-Range Microwave Hood Combination WMH31017H



Fingerprint Resistant Stainless Steel  
 WMH31017HZ

### Capacity

Total 1.7 cu. ft.

### General Features & Properties

2-Speed, 300 CFM Motor Class

Add 30 Seconds Option

Adjustable Cooktop Lighting

### Electrical Details

Amps 16

Volts 120

### Technical Details

Microwave Type Over-the-Range

CFMs 300

Lighting Type Incandescent

Number of Speeds 2

Venting Type Updraft

### Dimensions

Product Dimensions (H x W x D) 17-1/8" x 29-15/16" x 15-9/16"

Depth with Door Open 90° 39-3/8"

Cutout Dimensions (W x D) 30" x 12" minimum

### Reference Material

[Dimension Guide](#)

[Install Guide](#)

[Use & Care Guide](#)

[Warranty](#)

### Also available in:

White WMH31017HW

Black WMH31017HB

Stainless Steel WMH31017HS

### Key Features & Benefits

#### Microwave Presets

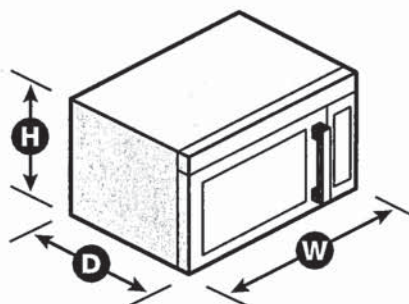
Get just the right amount of heat and time, whether you're cooking or defrosting, with specific preset options.

#### Electronic Touch Controls

Navigate through cooking modes and options with controls that are as easy to use as they are to clean.

#### Dishwasher-Safe Turntable Plate

Clean up spills on the turntable by simply putting it in the dishwasher.



NOTE: Dimensions are for planning purposes only. For complete details, see Installation Instructions packed with product. Specifications subject to change without notice.

©/™ © 2020. All rights reserved. Printed in the U.S.A. D200104XXE. WMH31017HSpecSheetV01.

SPACES  
 KITCHENETTE

## Whirlpool® MICROWAVE HOOD INSTALLATION INSTRUCTIONS

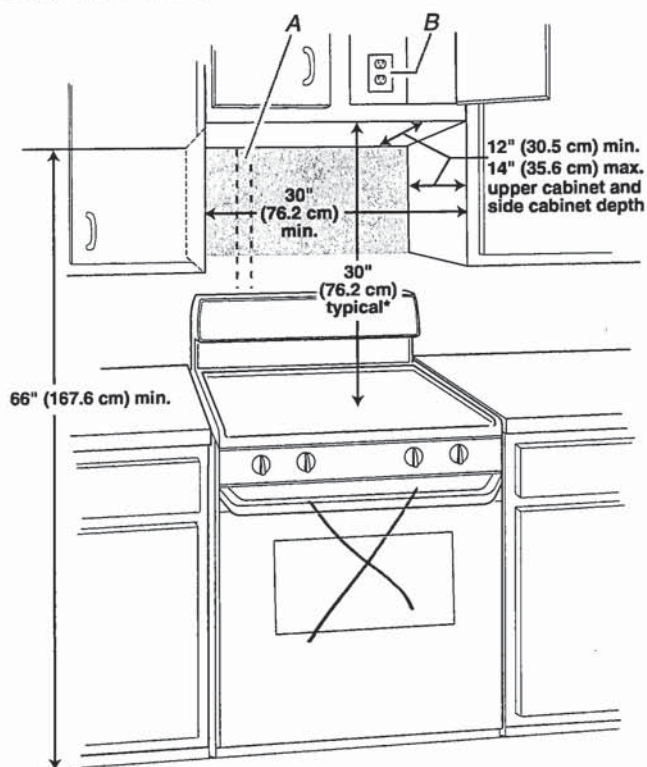
### PRODUCT MODEL NUMBERS

WMH31017H

### LOCATION REQUIREMENTS

#### Installation Dimensions

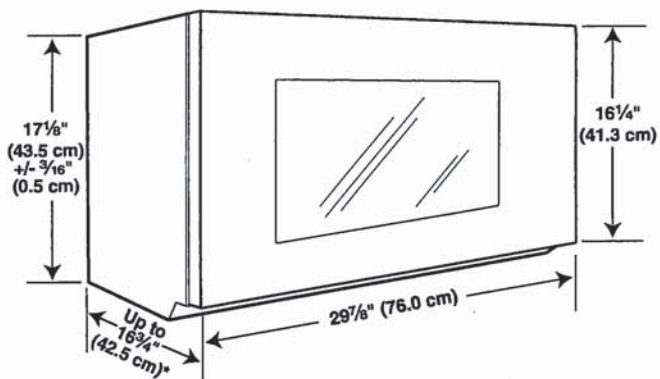
**NOTE:** The grounded 3 prong outlet must be inside the upper cabinet. See the "Electrical Requirements" section.



A. 2" x 4" wall stud  
 B. Grounded 3 prong outlet

\*30" (76.2 cm) is typical for 66" (167.6 cm) installation height. Exact dimensions may vary depending on type of range/cooktop below.

### PRODUCT DIMENSIONS



\*Overall depth of product will vary slightly depending on door design.

### PRODUCT DIMENSIONS

### ELECTRICAL REQUIREMENTS

## WARNING



### Electrical Shock Hazard

- Plug into a grounded 3 prong outlet.
- Do not remove ground prong.
- Do not use an adapter.
- Do not use an extension cord.
- Failure to follow these instructions can result in death, fire, or electrical shock.

Observe all governing codes and ordinances.

#### Required:

- A 120-volt, 60 Hz, AC-only, 15- or 20-amp electrical supply with a fuse or circuit breaker

#### Recommended:

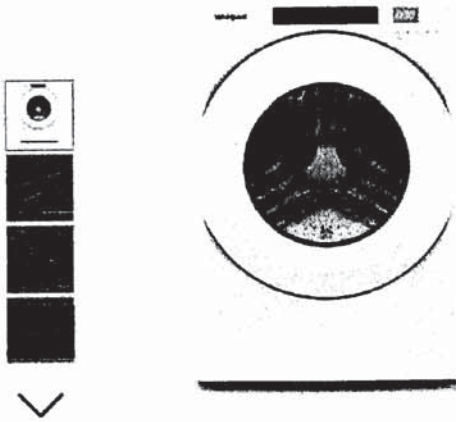
- A time-delay fuse or time-delay circuit breaker
- A separate circuit serving only this microwave oven

SPACES  
 FINISHED BASEMENT WITH  
 STACKING KIT

5.0 cu.ft I.E.C. Closet-Depth Front Load Washer with Intuitive Controls

Model: WFW560CHW

- Overview
- Specifications
- Reviews
- You May Also Like
- Help And Resources
- Find In Store



### Key Features

- #1 in Customer Satisfaction in the J.D. Power 2020 Laundry Appliances Satisfaction Study
- 5.0 cu. ft. I.E.C. Capacity
- ENERGY STAR® Certified
- Intuitive Controls
- Sanitize Cycle with Oxi

### Color

White



## Specifications

**Width:**  
 6858.00, 27.0"  
 Centimeters, Inches

**Depth:**  
 8016.88, 31-9/16"  
 Centimeters, Inches

### Dimensions

Capacity	4-3/10
Depth	8016.88 cm, 31-9/16 in
Gross Weight	97068688.00 kg, 214 lbs
Net Weight	92532768.00 kg, 204 lbs
Width	6858.00 cm, 27.0 in

### Appearance

LCD Touch Screen	No
Window	Yes

### Details

Advanced Vibration Control™	No
Dispense System	Detergent, Fabric Softener & Bleach
Eco Monitor/Efficiency Monitor	No
Hoses Included	4ft 4in Drain Hose Included
Internal Heater	No
Maximum Spin Speed	1160
Out Of Balance Sensing	Yes
Water Factor	3-1/5

### Cycles and Options

Number Of Wash Cycles	35
-----------------------	----

### Electrical

Power Cord Included	Yes
---------------------	-----

### Controls

Automatic Temperature Controls	Yes
Control Location	Front
LCD Touch Screen	No

### Compatibility

Works With	No
------------	----

### Options

Number Of Washer Options	7
--------------------------	---

### Features

Stackable	Yes
Water Faucet	No

### Cycles

Number Of Wash Cycles	35
-----------------------	----

### Exterior

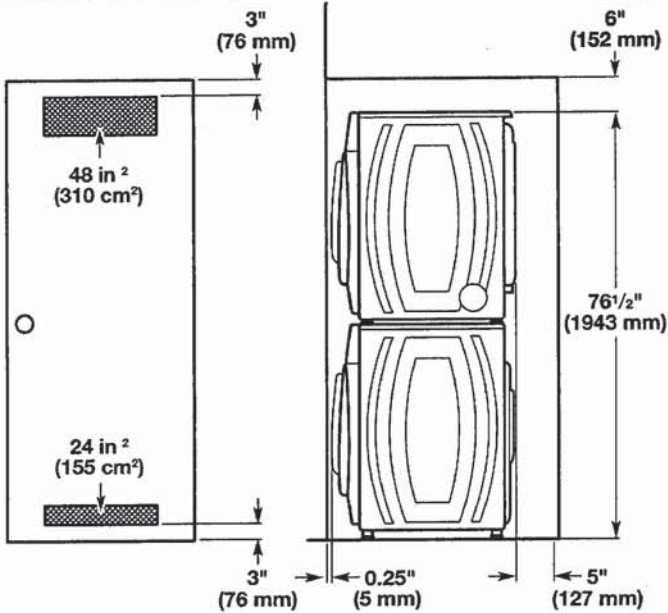
Lid/Door Lock	Yes
Lid/Door Swing	Left

### Modifiers

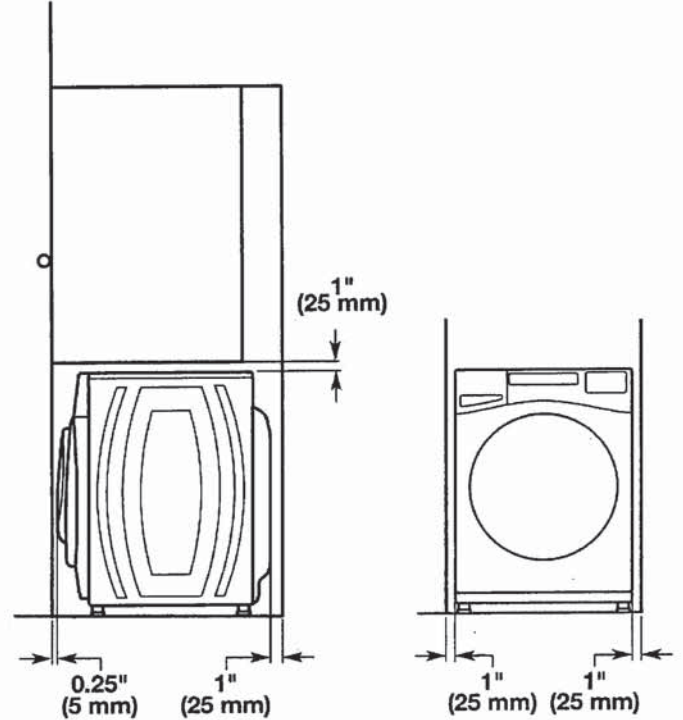
Delay Start	No
Number Of Rinse Options	2
Number Of Soil Levels	3
Number Of Spin Speeds	4
Number Of Wash/Rinse Temperatures	4
Pre Soak	Yes
Temperature Selections	Hot, Cold, Cool, Warm

SPACES FINISHED BASEMENT

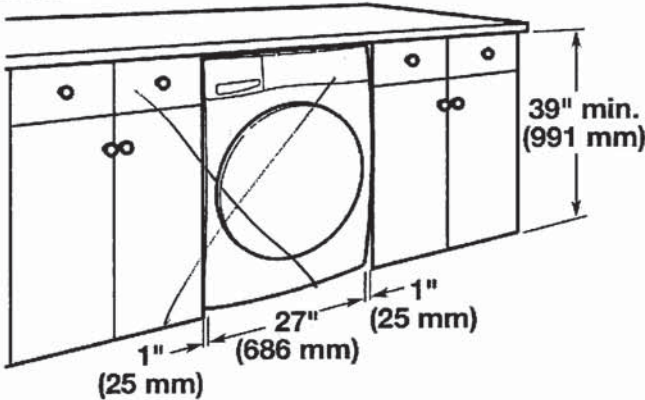
**Recessed area or closet installation (stacked washer and dryer)**



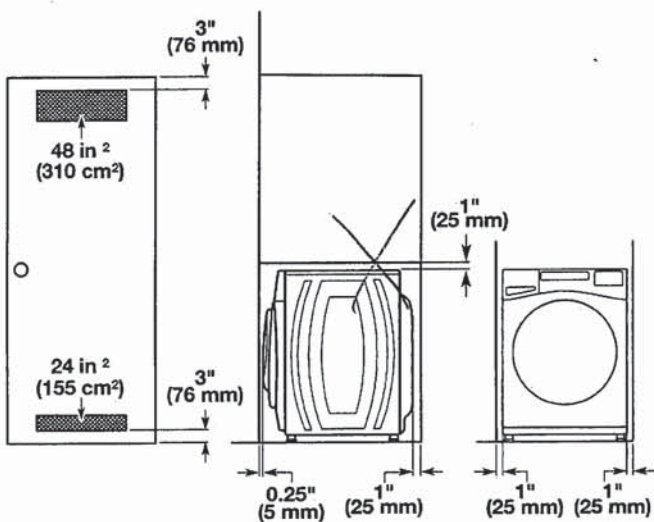
**Custom cabinet installation**



**Custom under counter installation**



**Recessed area or closet installation (washer only)**



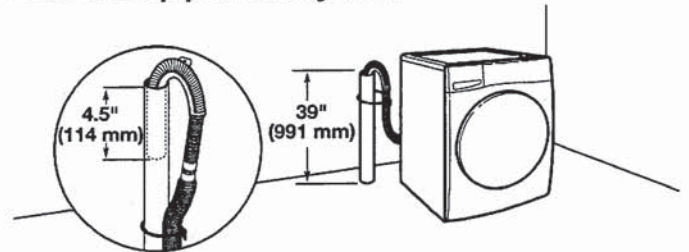
**Drain System**

It is the responsibility of the installer to install and secure the drain hose in to the provided plumbing/drain in a manner that will avoid the drain hose coming out of or leaking from the plumbing/drain.

Drain system can be installed using a floor drain, wall standpipe, floor standpipe, or laundry tub. Select the method you need.

**IMPORTANT:** To avoid siphoning, only 4.5" (114 mm) of drain hose should be inside standpipe. Always secure drain hose with cable tie.

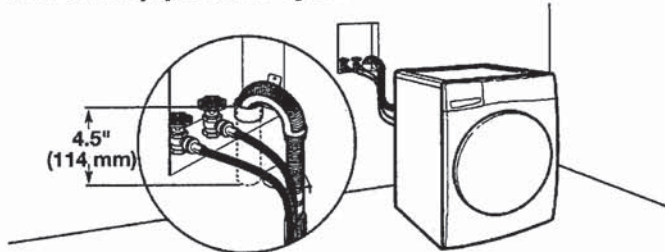
**Floor standpipe drain system**



Minimum diameter for a standpipe drain: 2" (51 mm). Minimum carry-away capacity: 17 gallons (64 L) per minute. A 1/4" (6 mm) diameter to 1" (25 mm) diameter Standpipe Adapter Kit is available; refer to the Quick Start Guide for online ordering information. Top of standpipe must be at least 39" (991 mm) high; install no higher than 96" (2.4 m) from bottom of washer. If you have an overhead sewer and need to pump higher than 96" (2.4 m), a sump pump and associated hardware are needed. See "Alternate Parts."

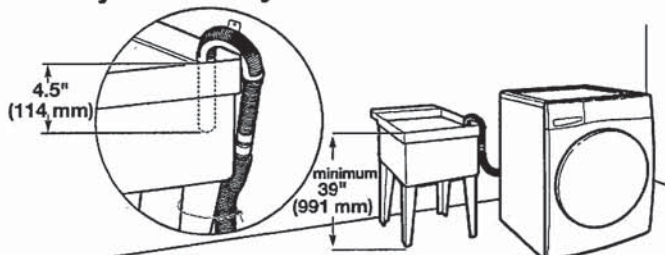
'SPACES'  
FINISHED BASEMENT

## Wall standpipe drain system

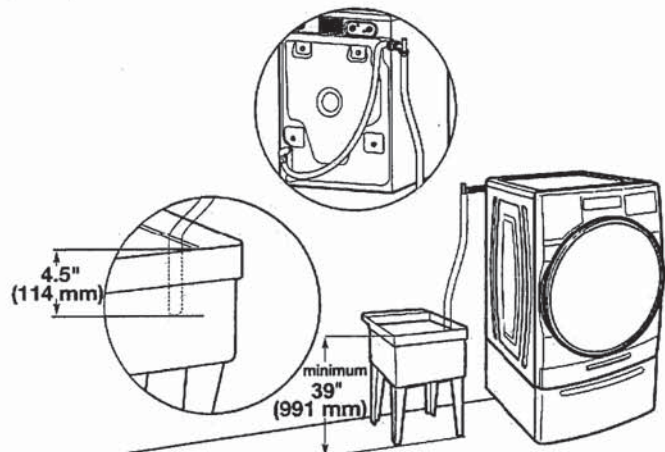


See requirements in "Floor standpipe drain system."

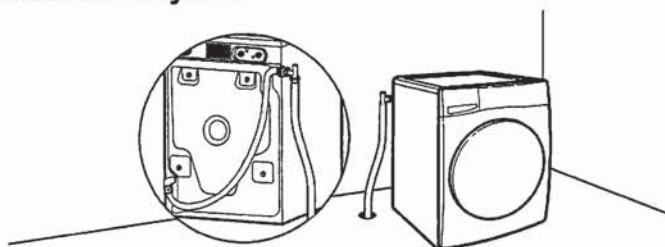
## Laundry tub drain system



Minimum capacity: 20 gallons (76 L). Top of laundry tub must be at least 39" (991 mm) from the floor; install no higher than 96" (2.4 m) from bottom of washer.



## Floor drain system



Floor drain system requires a Siphon Break Kit, 2 Connector Kits, and an Extension Drain Hose that may be purchased separately; refer to the Quick Start Guide for online ordering information. Minimum siphon break height: 28" (710 mm) from bottom of washer. (Additional hoses may be needed.)

## Electrical Requirements

### ⚠ WARNING



#### Electrical Shock Hazard

Plug into a grounded 3 prong outlet.

Do not remove ground prong.

Do not use an adapter.

Do not use an extension cord.

Failure to follow these instructions can result in death, fire, or electrical shock.

- A 120 V, 60 Hz, AC only, 15 or 20 A, fused electrical supply is required. A time-delay fuse or circuit breaker is recommended. It is recommended that a separate circuit breaker serving only this appliance be provided.
- This washer is equipped with a power supply cord having a 3-prong grounding plug.
- To minimize possible shock hazard, the cord must be plugged into a mating, 3-prong, grounding-type outlet, grounded in accordance with local codes and ordinances. If a mating outlet is not available, it is the personal responsibility and obligation of the customer to have the properly grounded outlet installed by a qualified electrician.
- If codes permit and a separate ground wire is used, it is recommended that a qualified electrician determine that the ground path is adequate.
- Do not ground to a gas pipe.
- Check with a qualified electrician if you are not sure the washer is properly grounded.
- Do not have a fuse in the neutral or ground circuit.

### GROUNDING INSTRUCTIONS

#### For a grounded, cord-connected appliance:

This appliance must be grounded. In the event of a malfunction or breakdown, grounding will reduce the risk of electric shock by providing a path of least resistance for electric current. This appliance is equipped with a cord having an equipment-grounding conductor and a grounding plug. The plug must be plugged into an appropriate outlet that is properly installed and grounded in accordance with all local codes and ordinances.

**WARNING:** Improper connection of the equipment-grounding conductor can result in a risk of electric shock. Check with a qualified electrician or serviceman if you are in doubt as to whether the appliance is properly grounded. Do not modify the plug provided with the appliance: If it will not fit the outlet, have a proper outlet installed by a qualified electrician.

#### For a permanently connected appliance:

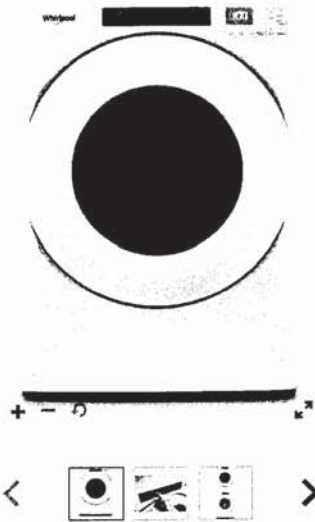
This appliance must be connected to a grounded metal, permanent wiring system, or an equipment-grounding conductor must be run with the circuit conductors and connected to the equipment-grounding terminal or lead on the appliance.

**SAVE THESE INSTRUCTIONS**

'SPACES'  
 FINISHED BASEMENT  
 CLOSET INSTALLATION  
 WITH STACKING KIT

WHIRLPOOL DRYER Model #: YWED5620HW

Whirlpool Brand Canada English | Washer and Dryers | Dryers | Electric Dryers | YWED5620HW



Define Your Style

**7.4 cu. ft. Front Load Electric Dryer with Intuitive Touch Controls**

**Whirlpool** 7.4 cu. ft. Front Load Electric Dryer with Intuitive Touch Controls  
 Model #: YWED5620HW

**Dimensions**

Depth	78.74 cm, 31.0 in
Depth With Door Open 90 Degree	138.43 cm, 54-1/2 in
Height	98.42 cm, 38-3/4 in
Width	68.58 cm, 27.0 in

**Configuration and Overview**

Fuel Type	Electric
-----------	----------

**Cycles and Options**



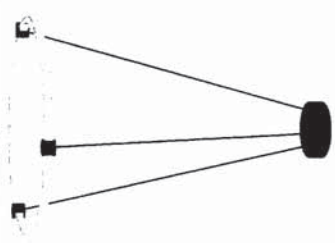

Cycle Time Remaining	Yes
Lint Filter Indicator	No
Number of Dryer Cycles	36
Number of Dryness Levels	3

**Ventilation System**




Long Vent	No
Maximum Vent Length	64
Venting Direction	Left, Right, Bottom, Rear

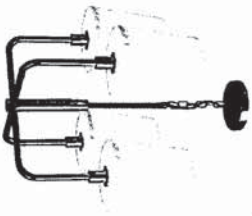

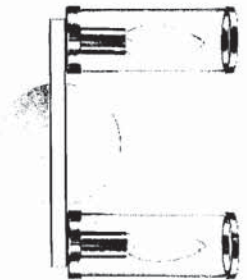
**Electrical**



Hz	60
Power Cord Included	Yes


LOCATION			
FOYER AND DEN		<a href="https://kuzcolighting.com/product/dalton-fm7920/">https://kuzcolighting.com/product/dalton-fm7920/</a>	BLACK
KITCHEN PENDANTS x 2		<a href="https://supremelighting.ca/ceiling-lights/pearson-818-9mb/">https://supremelighting.ca/ceiling-lights/pearson-818-9mb/</a>	BLACK
BREAKFAST ROOM X 1		<a href="https://kuzcolighting.com/product/amarach89854/">https://kuzcolighting.com/product/amarach89854/</a>	BLACK
DINING ROOM X 1		<a href="https://kuzcolighting.com/product/amarach89854/">https://kuzcolighting.com/product/amarach89854/</a>	BLACK



POWDER ROOM X 1		<a href="https://kuzcoighting.com/product/edna-v163316/">https://kuzcoighting.com/product/edna-v163316/</a>	BLACK
MUDROOM X 1		<a href="https://www.matteolighting.com/ceiling-lights/flush-mounts/m11901bk/">https://www.matteolighting.com/ceiling-lights/flush-mounts/m11901bk/</a>	BLACK
LAUNDRY X 1		<a href="https://www.matteolighting.com/ceiling-lights/flush-mounts/m13702bk/">https://www.matteolighting.com/ceiling-lights/flush-mounts/m13702bk/</a>	BLACK

PRINCIPAL BEDROOM X 1		<a href="https://kuzcolighting.com/product/plisse-ch628423/">https://kuzcolighting.com/product/plisse-ch628423/</a>	CHROME
PRINCIPAL ENSUITE CEILING X 2		<a href="https://kuzcolighting.com/product/dalton-fm7920/">https://kuzcolighting.com/product/dalton-fm7920/</a>	WHITE
PRINCIPAL ENSUITE VANITY LIGHTS X 2		<a href="https://aloralighting.com/product/revolve-wv309022/">https://aloralighting.com/product/revolve-wv309022/</a>	NICKLE

PRINCIPAL BEDROOM WALK IN CLOSETS X 2 BEDROOM 2 WALK IN CLOSET X 1 BEDROOM 4 WALK IN CLOSET X 1		<a href="https://www.matteoighting.com/ceiling-lights/flush-mounts/m16613wh/">https://www.matteoighting.com/ceiling-lights/flush-mounts/m16613wh/</a>	WHITE
BEDROOMS 2,3 AND 4 X 3 MAIN/SHARED; ENSUITE 4 X 3 BASEMENT BEDROOM AND BATHROOM X2		<a href="https://www.matteoighting.com/ceiling-lights/flush-mounts/m13002ch/">https://www.matteoighting.com/ceiling-lights/flush-mounts/m13002ch/</a>	CHROME
MAIN/SHARED VANITY X 2 ENSUITE 4 VANITY X 1		<a href="https://www.matteoighting.com/wall/vanity/s06103ch/">https://www.matteoighting.com/wall/vanity/s06103ch/</a>	CHROME

ENSUITE 2 VANITY X 1		<a href="https://aloraighting.com/product/hazel-v1524217/">https://aloraighting.com/product/hazel-v1524217/</a>	CHROME WITH OPAL MATTE GLASS SHADES
----------------------	---	---	--