

Sales Selection Sheet
Checklist

1 of 48

LOT 35 Model: 39-3356 A The Sprucehill
PURCHASERS: SOUMIA Z. MURTUZA/
VENDOR: Heathwood Homes (Whitby) Limited

- WAFFLE CEILING IN GREAT ROOM AND LIBRARY
- COLD CELLAR
- DELETE BULKHEAD ABOVE KITCHEN CABINETS
- CLOSE WALL BETWEEN BREAKFAST ROOM AND STAIRWAY HALL
- DELETE WALL BETWEEN LIBRARY AND FOYER -TRIMMED ARCHWAY WITH NIBS WALLS
- CLOSE WALL AND DELETE FRENCH DOOR BETWEEN LIBRARY AND HALL TO POWDER ROOM

- WOB
- DECK
- FINISHED BASEMENT

UPGRADED / MODIFIED ELEVATION

- CORNER UPGRADE
- REAR UPGRADE

CEILING UPGRADE - SMOOTH

- MAIN FLOOR (STD)
- SECOND FLOOR WITH RESILIENCE CHANEL
- LOWER LEVEL

ADDITIONAL ROUGH-INS

- 200 AMP SERVICE
- WET BAR ROUGH-IN
- HUMIDIFIER (STD)
- AIR CONDITIONING (STD)

GAS ROUGH-IN

- STOVE
- DRYER
- BBQ
- ADDITIONAL GAS FIREPLACE

KITCHEN HOODFAN VENTING SIZE

- 6 IN ROUND DUCT (STD WITH APPLIANCE PACKAGE) ** NOTE: 8" EXTERIOR DUCT VENT WITH REDUCER TO 6" INTERIOR DUCT FOR HOODFAN
- 7 IN ROUND DUCT (STD WITHOUT APPLIANCE PACKAGE)

FULL LOWER LEVEL STAIRS	<input type="text" value="All Oak"/>
UPPER LOWER LEVEL STAIRS	<input type="text" value="N/A"/>
LOWER LOWER LEVEL STAIRS	<input type="text" value="N/A"/>
MAIN STAIRS	<input type="text" value="All Oak"/>

OCT 4/23 Signature on
 Date Purchaser: file by email

OCT 4/23 TINA LEFOR
 Date Decor Consultant:

Date Purchaser:

-10-04-2023
 Date Approved

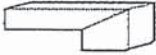
Locked Date:

mRosen
 Heathwood Homes (Whitby) Limited

SOUMIA Z. MURTUZA/
 Project: Country Lane
 Unit: 35, Phase: 1
 Model: 39-3356 A The Sprucehill

Created: 8/23/2023 10:08:22
 Locked:
 Closed:

Kitchen

Cabinet Colour/Style	9111	Viking III-SIMCOE ORCHID 3DL ***STD***
Island Cabinet Colour/Style	9111	Viking III-SIMCOE ORCHID 3DL ***STD***
Cabinet Hardware	2086	9677-HARDWARE ***STD***
Countertop	9811	Group 1-Quartz-Caesarstone-ROCK SALT # 7601-3/4 inch B/U MITERED EDGE ***STD in KITCHEN ONLY***
Island Countertop	9811	Group 1-Quartz-Caesarstone-ROCK SALT # 7601-3/4 inch B/U MITERED EDGE ***STD in KITCHEN ONLY***
Countertop Edge	4005	DOUBLE MITRE 1 1/2 INCH ***UPG*** 
Crumb Vac Colour	9482	Vacuum-Crumb Vac (Dust Pan)-White
Sink	9487	Plumbing-KINDRED Kitchen Sink Collection - Reginox ND1831 U/9-Double (equal size) Bowl Undermount Sink (or equivalent)-Stainless Steel
HoodFan	8894	SCB51430-CYCLONE 30 inch CANOPY CHIMNEY HOODFAN-STAINLESS STEEL *****
Opt. Backsplash	1111	N/A *****
Opt. Backsplash Grout	1111	N/A *****
Opt. Backsplash Tile Pattern	1111	N/A *****

PG 30

PG 40-41

Flooring	9556	Red Oak UVF-Vintage Solid Sawn Sculpted Character-TITANIUM-3/4 in x 5 in ***UPG***
Floor Tile Grout	1111	N/A *****
Floor Tile Pattern	1111	N/A *****

- Purchasers have been advised: standard fridge opening is a minimum 37 3/8 x 73 3/8 inches. Ice Waterline Rough-In is included.
- Standard stove opening is 30 inches and standard dishwasher opening is 24 inches. Any gas stove will require backsplash or stainless steel backing to avoid fire hazards.
- Purchasers acknowledge: Heathwood Homes and its contractors will not be responsible for any kitchen cabinet changes due to appliances dimension changes after sign-off.

Comment: PURCHASER DELETED BACKSPLASH AND ACKNOWLEDGE NO CREDIT WILL BE ISSUED

Foyer

Flooring	9242	OV.ET.VLK.1224.PL-Eterna Volkas Polished White 12 x 24 floor tile directions SEE SKETCH UPG 5 ***UPG***
Floor Tile Grout	2222	Grout-Driftwood / Smoke ***STD***
Floor Tile Pattern	3040	FRONT TO BACK ***STD***

Customer Colours

SOUMIA Z. MURTUZA/
 Project: Country Lane
 Unit: 35, Phase: 1
 Model: 39-3356 A The Sprucehill

Created: 8/23/2023 10:08.22

Locked:

Closed:

Comment

Powder Room

- Flooring 9242 OV.ET.VLK.1224.PL-Eterna Volkas Polished White 12 x 24 S 2
 floor tile directions SEE SKETCH UPG 5 ***UPG***
- Floor Tile Grout 2222 Grout-Driftwood / Smoke ***STD***
- Floor Tile Pattern 3050 SIDE TO SIDE ***STD***

Plumbing Fixture (Colour) 1737 Plumbing Fixtures-WHITE ***STD***

Comment

Mud Room

- Floor Tile 5589 GE.BY.PEN.1313 New Byzantine Pentalic (Grey) 13 x13
 STD
- Floor Tile Grout 2225 Grout-(27) Silver ***STD***
- Floor Tile Pattern 3000 STANDARD SQUARE ***STD***

Comment

Dining Room

Flooring 9556 Red Oak UVF-Vintage Solid Sawn Sculpted
 Character-TITANIUM-3/4 in x 5 in ***UPG***

Comment

Great Room

Flooring 9556 Red Oak UVF-Vintage Solid Sawn Sculpted
 Character-TITANIUM-3/4 in x 5 in ***UPG***

Comment

Great Room Fireplace

Type 8869 Majestic MERC32 ***STD***

Mantle 1435 NF 15-Paint Grade Mantle- Flat (Per Plan)-WHITE

Customer Colours

SOUMIA Z. MURTUZA/
 Project: Country Lane
 Unit: 35, Phase: 1
 Model: 39-3356 A The Sprucehill

Created: 8/23/2023 10:08:22

Locked:

Closed:

		STD
Surround (Opt.)	8873	3 pc- 4 inch Marble Surround-Nero Marquina ***STD***

- Purchasers have been advised: heat from the FP can damage TV above a FP and items placed on mantle.

- Heathwood and its contractors will not be liable for any damage on items placed and / or installed above a FP after closing.

Comment

Main Hall

Flooring	9556	Red Oak UVF-Vintage Solid Sawn Sculpted Character-TITANIUM-3/4 in x 5 in ***UPG***
----------	------	--

Comment

Library

Flooring	9556	Red Oak UVF-Vintage Solid Sawn Sculpted Character-TITANIUM-3/4 in x 5 in ***UPG***
----------	------	--

Comment

Upper Hall

Flooring	9556	Red Oak UVF-Vintage Solid Sawn Sculpted Character-TITANIUM-3/4 in x 5 in ***UPG***
----------	------	--

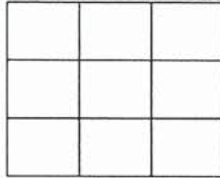
Comment

Laundry Room

Floor Tile	5589	GE.BY.PEN.1313 New Byzantine Pentalic (Grey) 13 x13 ***STD***
------------	------	---

Floor Tile Grout	2225	Grout-(27) Silver ***STD***
------------------	------	-----------------------------

Floor Tile Pattern	3000	STANDARD SQUARE ***STD***
--------------------	------	---------------------------



Opt. Cabinet Colour/Style - Uppers	1111	N/A *****
------------------------------------	------	-----------

Opt. Cabinet Hardware - Uppers	1111	N/A *****
--------------------------------	------	-----------

Opt. Countertop	1111	N/A *****
-----------------	------	-----------

Opt. Countertop Edge	1111	N/A *****
----------------------	------	-----------

Comment

Principal Suite and Walk-in Closets

Customer Colours

SOUMIA Z. MURTUZA/
 Project: Country Lane
 Unit: 35, Phase: 1
 Model: 39-3356 A The Sprucehill

Created: 8/23/2023 10:08:22

Locked:

Closed:

Flooring	9246	DY 84558-Dynasty Tex-BEACH SHELL-40 oz Poly***STD***
----------	------	--

Comment

Bedroom 2

Flooring	9246	DY 84558-Dynasty Tex-BEACH SHELL-40 oz Poly***STD***
----------	------	--

Comment

Bedroom 3

Flooring	9246	DY 84558-Dynasty Tex-BEACH SHELL-40 oz Poly***STD***
----------	------	--

Comment

Bedroom 4

Flooring	9246	DY 84558-Dynasty Tex-BEACH SHELL-40 oz Poly***STD***
----------	------	--

Comment

Principal Ensuite

Cabinet Colour/Style	9111	Viking III-SIMCOE ORCHID 3DL ***STD***
----------------------	------	--

Cabinet Hardware	7672	135-HARDWARE ***STD***
------------------	------	------------------------

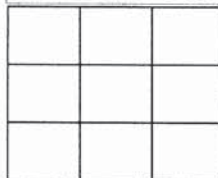
Countertop	8796	6698-46-Countertop-PALOMA POLAR ETCHINGS FINISH-Formica ***STD***
------------	------	---

Countertop Edge	1111	N/A *****
-----------------	------	-----------

Floor Tile	8248	OV.CX.WHT.2424.PL-Carrara X-White Polished-24 x 24 ***6***
------------	------	--

Floor Tile Grout	2225	Grout-(27) Silver ***STD***
------------------	------	-----------------------------

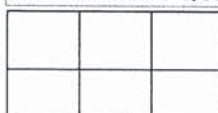
Floor Tile Pattern	3000	STANDARD SQUARE ***STD***
--------------------	------	---------------------------



Shower Wall Tile	8248	OV.CX.WHT.2424.PL-Carrara X-White Polished-24 x 24 ***7***
------------------	------	--

Shower Wall Tile Grout	2226	Grout-(00) White ***STD***
------------------------	------	----------------------------

Shower Wall Tile Pattern	3000	STANDARD SQUARE ***STD***
--------------------------	------	---------------------------



Customer Colours

SOUMIA Z. MURTUZA/
 Project: Country Lane
 Unit: 35, Phase: 1
 Model: 39-3356 A The Sprucehill

Created: 8/23/2023 10:08:22

Locked:

Closed:

--	--	--

Shower Floor Tile 8108 OD.ON.DGR.02.HEX.MT-ONTARIO HEXAGON MATTE-DARK GREY ***UPG 2***

Shower Floor Tile Grout 7704 Grout-Pearl Gray / North Sea Grey ***STD***

Shower Floor Tile Pattern 3000 STANDARD SQUARE ***STD***

Shower Jamb(s) and Sill(s) 8923 Shower Jamb / Sill-Thassos White ***STD***

Plumbing Fixture (colour) 1737 Plumbing Fixtures-WHITE ***STD***

Comment

Shared Ensuite

Cabinet Colour/Style 9111 Viking III-SIMCOE ORCHID 3DL ***STD***

Cabinet Hardware 7672 135-HARDWARE ***STD***

Countertop 8796 6698-46-Countertop-PALOMA POLAR ETCHINGS FINISH-Formica ***STD***

Countertop Edge 1111 N/A *****

Floor Tile 9255 TR.SP.WHITE.1313 SEMPRE White Matte 13 x 13 ***STD***

Floor Tile Grout 2225 Grout-(27) Silver ***STD***

Floor Tile Pattern 3000 STANDARD SQUARE ***STD***

Shower Wall Tile 9020 QT.WV.WHT.0810-Weave-White-8 x 10 ***STD***

Shower Wall Tile Grout 2226 Grout-(00) White ***STD***

Shower Wall Tile Pattern 3070 HORIZONTAL STACKED ***STD***

Shower Floor Tile 8661 OD.ON.SWT.0202.MT.N-Ontario Series Mosaic-Snow White Matte-2 x 2 ***STD***

Shower Floor Tile Grout 2226 Grout-(00) White ***STD***

Shower Floor Tile Pattern 3000 STANDARD SQUARE ***STD***

Shower Jamb(s) and Sill(s) 8923 Shower Jamb / Sill-Thassos White ***STD***

Plumbing Fixture (colour) 1737 Plumbing Fixtures-WHITE ***STD***

Customer Colours

SOUMIA Z. MURTUZA/
 Project: Country Lane
 Unit: 35, Phase: 1
 Model: 39-3356 A The Sprucehill

Created: 8/23/2023 10:08:22

Locked:

Closed:

Comment

Ensuite 2

Cabinet Colour/Style 9111 Viking III-SIMCOE ORCHID 3DL ***STD***

Cabinet Hardware 7672 135-HARDWARE ***STD***

Countertop 8796 6698-46-Countertop-PALOMA POLAR ETCHINGS FINISH-Formica ***STD***

Countertop Edge 1111 N/A *****

Floor Tile 9255 TR.SP.WHITE.1313 SEMPRE White Matte 13 x 13 ***STD***

Floor Tile Grout 2225 Grout-(27) Silver ***STD***

Floor Tile Pattern 3000 STANDARD SQUARE ***STD***

Wall Tile 9020 QT.WV.WHT.0810-Weave-White-8 x 10 ***STD***

Wall Tile Grout 2226 Grout-(00) White ***STD***

Wall Tile Pattern 3070 HORIZONTAL STACKED ***STD***

Opt. Shower Floor Tile 1111 N/A *****

Opt. Shower Floor Tile Grout 1111 N/A *****

Opt. Shower Floor Tile Pattern 1111 N/A *****

Opt. Shower Jamb(s) and Sill(s) 1111 N/A *****

Plumbing Fixture (colour) 1737 Plumbing Fixtures-WHITE ***STD***

Comment

Lower Level Family Room

Flooring 9246 DY 84558-Dynasty Tex-BEACH SHELL-40 oz Poly***STD***

Comment

Lower Level bedroom

Customer Colours

SOUMIA Z. MURTUZA/
 Project: Country Lane
 Unit: 35, Phase: 1
 Model: 39-3356 A The Sprucehill

Created: 8/23/2023 10:08:22

Locked:

Closed:

Flooring	9246	DY 84558-Dynasty Tex-BEACH SHELL-40 oz Poly***STD***
Comment		

Lower Level Bathroom

Cabinet Colour/Style	9111	Viking III-SIMCOE ORCHID 3DL ***STD***
Cabinet Hardware	7672	135-HARDWARE ***STD***
Countertop	8796	6698-46-Countertop-PALOMA POLAR ETCHINGS FINISH-Formica ***STD***
Countertop Edge	1111	N/A *****

Floor Tile	9255	TR.SP.WHITE.1313 SEMPRE White Matte 13 x 13 ***STD***
Floor Tile Grout	2225	Grout-(27) Silver ***STD***
Floor Tile Pattern	3000	STANDARD SQUARE ***STD***

Shower Wall Tile	9020	QT.WV.WHT.0810-Weave-White-8 x 10 ***STD***
Shower Wall Tile Grout	2226	Grout-(00) White ***STD***
Shower Wall Tile Pattern	3070	HORIZONTAL STACKED ***STD***

Shower Floor Tile	1111	N/A *****
Shower Floor Tile Grout	1111	N/A *****
Shower Floor Tile Pattern	1111	N/A *****

Shower Jamb(s) and Sill(s)	1111	N/A *****
Plumbing Fixture (colour)	1737	Plumbing Fixtures-WHITE ***STD***
Comment		

Main Stairs

Type	1712	Oak Stairs ***STD***
Colour	9804	Titanium STAIN TO COMPLIMENT HARDWOOD AND WILL VARY FROM FLOORING ***9g***
Handrail/Pickets/Posts Type	8148	Single Collar Alt. Plain w/ Shoes with 3 1/2 Square/Cap Post(s)-BLACK ***2***

Customer Colours

SOUMIA Z. MURTUZA/
 Project: Country Lane
 Unit: 35, Phase: 1
 Model: 39-3356 A The Sprucehill

Created: 8/23/2023 10:08:22

Locked:

Closed:

Handrail/Pickets/Posts Colour	7761	Oak Grade-Stain handrail,stringers,treads,risers,nosingpost
Custom Stain/Paint	1111	N/A *****
Landing(s)	9556	Red Oak UVF-Vintage Solid Sawn Sculpted Character-TITANIUM-3/4 in x 5 in ***STD for Single UPG
Opt. Carpet Runner	1111	N/A *****
Comment		

Lower Level Stairs

Type	1712	Oak Stairs ***1 BASEMENT STAIRS***
Colour	9804	Titanium STAIN TO COMPLIMENT HARDWOOD AND WILL VARY FROM FLOORING ***99***
Handrail/Pickets/Posts Type	8148	Single Collar Alt. Plain w/ Shoes with 3 1/2 Square/Cap Post(s)-BLACK ***2***
Handrail/Pickets/Posts Colour	7761	Oak Grade-Stain handrail,stringers,treads,risers,nosingpost
Custom Stain/Paint	1111	N/A *****
Landing(s)	9556	Red Oak UVF-Vintage Solid Sawn Sculpted Character-TITANIUM-3/4 in x 5 in ***STD for Single UPG
Carpet Runner	1111	N/A *****
Comment		

Throughout

Switches and Plug	5796	Decora White Switches and Plugs ***STD***
Thresholds	2232	Metal Thresholds ***STD***
Underpad	1079	500 Series-Underpad ***STD***
Trim Size	8704	5 1/4 inch Baseboard and 3 inch Integrated Backbend Casings ***UPG*** / ***STD in Singles***
Trim - Paint Colour	1716	Trim-WHITE ***STD***
Walls - Paint Colour	1717	22-Wall-WARM GREY ***STD***
Comment		

Purchaser: DocuSigned by: SOUMIA Z MURTUZA 10/2023
 SOUMIA Z. MURTUZA Date

DocuSigned by: [Signature] 11/19/2023
 Decor Consultant Date

Purchaser: _____
 Date

[Signature] -11- 27 2023
 Country Lane Date Approved



CONSTRUCTION SUMMARY

Lot: 35
Model: 39-3356 A The Sprucehill
Project/Phase: Country Lane / 1

Offer Worksheet	Whirlpool Appliance Package: Stainless Steel 22 cu ft. Fridge ? French Door, Bottom Freezer Design: 30? Range-Ceramic Glass Top, Convection Cooking: 24 Built-In Dishwasher and White Front Loading Washer: White Front Loading Dryer. Note:
------------------------	---

Offer Worksheet	Supply and install central air conditioning. Note:
------------------------	---

Offer Worksheet	Included with the purchase and closing of this Heathwood Homes is a Two Men and a Truck credit of One Thousand Dollars (\$1,000.00) for moving services only, into your Heathwood Home (no cash value). The credit is non-transferrable and cannot be combine Note:
------------------------	--



CONSTRUCTION SUMMARY

Lot: 35
Model: 39-3356 A The Sprucehill
Project/Phase: Country Lane / 1

ADMIN FEE - REFERRAL

Invoice Qty. Description

CABINETRY

Invoice Qty. Description

1592 18Dec23 ** NoCat	1	KITCHEN/BREAKFAST - Hardwood - 5 in Vintage Sculpted NSS Red Oak UVF-Oil or Pearl - Kitchen/Breakfast - UPG CABINETRY-Raise Cabinet; CERAMICS-Delete Std Ceramics; Interior Stairs-Adjust riser height where applicabl
1592 361,778 18Dec23	1	MAIN BATHROOM - CABINETRY-D15-VANITY BANK OF DRAWERS (3) (MAX. WIDTH 55CM) VIKING SKETCH # 4
1592 361,772 18Dec23	2	MASTER ENSUITE - CABINETRY-D04-INCREASE VANITY TO KITCHEN HEIGHT GREATER THAN 3FT (90CM HIGH, MAINTAINS VANITY DEPTH) VIKING SKETCH # 4
1592 361,778 18Dec23	2	MASTER ENSUITE - CABINETRY-D15-VANITY BANK OF DRAWERS (4) (MAX. WIDTH 55CM) VIKING KITCHEN HEIGHT 4 DRAWERS LOCATE OPPOSITE FROM THE TOP DRAWERS SKETCH # 4
1592 361,771 18Dec23	1	ENSUITE 2 - CABINETRY-D03-INCREASE VANITY TO KITCHEN HEIGHT 3FT OR LESS (90CM HIGH, MAINTAINS VANITY DEPTH) VIKING SKETCH # 4

CERAMICS

Invoice Qty. Description

1622 18Dec23 NoCat	1	KITCHEN - PURCHASER DELETED BACKSPLASH AND ACKNOWLEDGE NO CREDIT WILL BE ISSUED
1592 18Dec23 ** NoCat	1	KITCHEN/BREAKFAST - Hardwood - 5 in Vintage Sculpted NSS Red Oak UVF-Oil or Pearl - Kitchen/Breakfast - UPG CABINETRY-Raise Cabinet; CERAMICS-Delete Std Ceramics; Interior Stairs-Adjust riser height where applicabl
1592 18Dec23 NoCat	1	FOYER - Ceramics - Upgrade 5 Tile - Foyer Floor - UPG
1592 18Dec23 NoCat	1	POWDER ROOM - Ceramics - Upgrade 5 Tile - Powder Room Floor - UPG
1592 18Dec23 NoCat	1	MASTER ENSUITE - Ceramics - Upgrade 6 Tile - Master Ensuite Floor - UPG
1592 18Dec23 NoCat	1	MASTER ENSUITE - Ceramics - Upgrade 6 Floor Tile on Wall - Master Ensuite Shower Wall - UPG



CONSTRUCTION SUMMARY

Lot: 35
Model: 39-3356 A The Sprucehill
Project/Phase: Country Lane / 1

CERAMICS

Invoice	Qty.	Description
1592 18Dec23 NoCat	1	MASTER ENSUITE - Ceramics - Upgrade 2 Tile - Master Ensuite Shower Floor - UPG
1592 361,903 18Dec23	1	ENSUITE 2 - CERAMICS-ADD WALL TILE ON TUB CEILING (15SQFT PER TUB)-STANDARD SERIES
1592 361,903 18Dec23	1	FINISHED BASEMENT BATHROOM - CERAMICS-ADD WALL TILE ON TUB CEILING (15SQFT PER TUB)-STANDARD SERIES

COLD CELLAR

Invoice	Qty.	Description
1522 362,439 27Nov23	1	- COLD CELLAR - INSTALL COLD CELLAR - UPG CONCRETE DRAIN-Notify; DRYWALL-Notify; ELECTRICAL-Supply and install light and switch; FORMING-Notify; FRAMING-Notify; INTERIOR TRIM-Supply and install metal insulated slab door including hardware SKETCH # 1

CONCRETE AND DRAIN

Invoice	Qty.	Description
1522 362,391 27Nov23 **	1	- PLUMBING-OPTIONAL EXTRA-ROUGH- IN FOR FUTURE WET BAR - INSTALL IN UNFINISHED BASEMENT AREA . SEE SKETCH # 1 CONCRETE and DRAIN-Notify
1522 362,391 27Nov23 **	1	KITCHEN - PLUMBING-OPTIONAL EXTRA-ROUGH- IN FOR FUTURE WET BAR - INSTALL IN KITCHEN FOR FUTURE BAR SINK TO BE INSTALLED BY PURCHASER AFTER CLOSING CONCRETE and DRAIN-Notify SEE SKETCH # 2



CONSTRUCTION SUMMARY

Lot: 35
Model: 39-3356 A The Sprucehill
Project/Phase: Country Lane / 1

DRYWALL

Invoice	Qty.	Description
1522 362,440 27Nov23	1	- DRYWALL - SMOOTH CEILINGS - BASEMENT - UPG PAINTING-Paint Smooth Ceiling
1522 362,441 27Nov23	1	- DRYWALL - SMOOTH CEILINGS - SECOND FLOOR - UPG ELECTRICAL-Drop electrical boxes; PAINTING-Paint smooth ceiling
1522 27Nov23 ** NoCat	1	- Choice of 20 LED pot lights in finished areas (Second Floor Potlight(s) Require Smooth Ceiling) DRYWALL-Drywall Ceiling cutouts for potlights FRAMING-Frame to accommodate potlights 4X IN KITCHEN ON 1 SWITCH (STANDARD KITCHEN LIGHT RELOCATED TO ISLAND , 6X IN GREAT ROOM ON 1 SWITCH; 3X IN MAIN HALLWAY ON 1 SWITCH (STANDARD LIGHT RELOCATED TO KITCHEN ISLAND); 4X IN LIBRARY ON 1 SWITCH; 3X IN UPPER HALLWAY ON EXISTING 3 WAY SWITCH-DELETE STANDARD LIGHTS) . SEE SKETCH # 2 AND 3
1522 27Nov23 ** NoCat	1	LIBRARY - OPEN UP WALL BETWEEN FOYER AND LIBRARY TRIMMED ARCHWAY WITH NIB WALLS ON BOTH ENDS SKETCH # 2 DRYWALL-Notify;ELECTRICAL-Notify;FRAMING-Notify;HARDWOOD-Notify;HEATING-Notify;INTERIOR TRIMS-Notify;PAINTING-Notify
1522 27Nov23 ** NoCat	1	KITCHEN/BREAKFAST - OPTION 1 - CLOSE OFF ENTRANCE FROM STAIRS TO BREAKFAST ROOM SKETCH # 2 DRYWALL-Notify;ELECTRICAL-Notify;FRAMING-Notify;HARDWOOD-Notify;HEATING-Notify;INTERIOR TRIMS-Notify;PAINTING-Notify
1522 27Nov23 ** NoCat	1	LIBRARY - DELETE FRENCH DOOR FROM HALLWAY TO LIBRARY AND CLOSE WALL SKETCH # 2 DRYWALL-Notify;ELECTRICAL-Notify;FRAMING-Notify;HARDWOOD-Notify;HEATING-Notify;PAINTING
1522 362,455 27Nov23	1	- SUPPLY AND INSTALL FIBERGLASS SOUND DAMPING INSULATION TO THE BASEMENT CEILING (FOR FINISHED AREA ONLY)
1522 362,456 27Nov23	1	- SUPPLY AND INSTALL FIBERGLASS SOUND DAMPING INSULATION TO THE BASEMENT WALL INCLUDING STAIRCASE (FOR FINISHED AREA ONLY)
1522 27Nov23 ** NoCat	1	KITCHEN - DELETE BULKHEADS IN THE KITCHEN ABOVE CABINETS. CONFIRMED BULKHEADS ARE NOT REQUIRED. DRYWALL-Notify;ELECTRICAL-Notify;FRAMING-Notify;HEATING-Notify;PAINTING-Notify NOTE: THERE WILL BE A STANDARD BULKHEAD ON REAR WALL OF KITCHEN/BREAKFAST ROOM ALONG WINDOW AND PATIO DOOR.



CONSTRUCTION SUMMARY

Lot: 35
Model: 39-3356 A The Sprucehill
Project/Phase: Country Lane / 1

ELECTRICAL

Invoice	Qty.	Description
1522 361,928 27Nov23	1	- ELECTRICAL-200 AMP SERVICE
1522 362,441 27Nov23 **	1	- DRYWALL - SMOOTH CEILINGS - SECOND FLOOR - UPG ELECTRICAL-Drop electrical boxes; PAINTING-Paint smooth ceiling
1522 361,934 27Nov23	1	- ELECTRICAL-CAR CHARGER-2 INCH CONDUIT WITH 8X8 BOX FOR FUTURE CAR CHARGER LOCATION TO BE DETERMINED BY SITE
1522 361,969 27Nov23	2	KITCHEN - ELECTRICAL-RELOCATION OF SWITCHES/LIGHTS (MUST SPECIFY LOCATION)-NOTE: PLUGS CANNOT BE RELOCATED- MUST PURCHASE ADDITIONAL OUTLET. 1) RELOCATE STANDARD KITCHEN LIGHT TO BE CENTERED +/- ON ISLAND. 2) RELOCATE STANDARD HALLWAY LIGHT TO BE CENTERED +/- WITH OTHER RELOCATED LIGHT ON ISLAND.BOTH TOGETHER ON SEPARATE SWITCH NOTE: SWITCHES FOR KITCHEN TO BE RELOCATED DUE TO CLOSED WALL (FUTURE CABINetry) SEE SKETCH # 2
1522 362,070 27Nov23 **	1	KITCHEN - HEATING/AIR-ROUGH-IN GAS LINE FOR GAS STOVE AT MAIN FLOOR (SEE SPECS) (HOOK-UP NOT INCLUDED) LEAVE STANDARD 120 VOLT ELECTRICAL OUTLET ON A SEPARATE CIRCUIT. * SPECIFY IF STANDARD 220V WILL STAY OR BE RELOCATED STANDARD 220V TO REMAIN SKETCH # 2 ELECTRICAL-Notify
1522 27Nov23 NoCat	1	- Choice of 20 LED pot lights in finished areas (Second Floor Potlight(s) Require Smooth Ceiling) DRYWALL-Drywall Ceiling cutouts for potlights FRAMING-Frame to accommodate potlights 4X IN KITCHEN ON 1 SWITCH (STANDARD KITCHEN LIGHT RELOCATED TO ISLAND , 6X IN GREAT ROOM ON 1 SWITCH; 3X IN MAIN HALLWAY ON 1 SWITCH (STANDARD LIGHT RELOCATED TO KITCHEN ISLAND); 4X IN LIBRARY ON 1 SWITCH; 3X IN UPPER HALLWAY ON EXISTING 3 WAY SWITCH-DELETE STANDARD LIGHTS) . SEE SKETCH # 2 AND 3
1522 27Nov23 ** NoCat	1	LIBRARY - OPEN UP WALL BETWEEN FOYER AND LIBRARY TRIMMED ARCHWAY WITH NIB WALLS ON BOTH ENDS SKETCH # 2 DRYWALL-Notify;ELECTRICAL-Notify;FRAMING-Notify;HARDWOOD-Notify;HEATING-Notify;INTERIOR TRIMS-Notify;PAINTING-Notify
1522 27Nov23 ** NoCat	1	KITCHEN/BREAKFAST - OPTION 1 - CLOSE OFF ENTRANCE FROM STAIRS TO BREAKFAST ROOM SKETCH # 2 DRYWALL-Notify;ELECTRICAL-Notify;FRAMING-Notify;HARDWOOD-Notify;HEATING-Notify;INTERIOR TRIMS-Notify;PAINTING-Notify
1522 27Nov23 ** NoCat	1	LIBRARY - DELETE FRENCH DOOR FROM HALLWAY TO LIBRARY AND CLOSE WALL SKETCH # 2 DRYWALL-Notify;ELECTRICAL-Notify;FRAMING-Notify;HARDWOOD-Notify;HEATING-Notify;PAINTING
1522 362,450 27Nov23	1	UPPER BASEMENT STAIRS LANDING - ELECTRICAL - CEILING EXHAUST FAN (INCLUDING SWITCH) 50/80/110CFM PANASONIC WHISPER GREEN MODEL: FV0511VK1 INSTALL ON CEILING IN UNFINISHED BASEMENT AREA SKETCH # 1
1522 27Nov23 ** NoCat	1	KITCHEN - DELETE BULKHEADS IN THE KITCHEN ABOVE CABINETS. CONFIRMED BULKHEADS ARE NOT REQUIRED. DRYWALL-Notify;ELECTRICAL-Notify;FRAMING-Notify;HEATING-Notify;PAINTING-Notify NOTE: THERE WILL BE A STANDARD BULKHEAD ON REAR WALL OF KITCHEN/BREAKFAST ROOM ALONG WINDOW AND PATIO DOOR.



CONSTRUCTION SUMMARY

Lot: 35
Model: 39-3356 A The Sprucehill
Project/Phase: Country Lane / 1

ELECTRICAL

Invoice	Qty.	Description
1592 362,403 18Dec23	1	- ELECTRICAL-CONDUIT PIPE (BASEMENT TO ATTIC, CAPPED AND PULL STRING ROUGH-IN).
1592 361,946 18Dec23	1	FINISHED BASEMENT BATHROOM - ELECTRICAL-LIGHT FIXTURE-ADDITIONAL SHOWER LIGHT (COMPLETE) INCLUDING SWITCH; 10 1/2 INCH ROUND FROSTED WHITE GLASS
1592 361,946 18Dec23	1	ENSUITE 2 - ELECTRICAL-LIGHT FIXTURE-ADDITIONAL SHOWER LIGHT (COMPLETE) INCLUDING SWITCH; 10 1/2 INCH ROUND FROSTED WHITE GLASS

FRAMING

Invoice	Qty.	Description
1522 27Nov23 ** NoCat	1	- Choice of 20 LED pot lights in finished areas (Second Floor Potlight(s) Require Smooth Ceiling) DRYWALL-Drywall Ceiling cutouts for potlights FRAMING-Frame to accommodate potlights 4X IN KITCHEN ON 1 SWITCH (STANDARD KITCHEN LIGHT RELOCATED TO ISLAND , 6X IN GREAT ROOM ON 1 SWITCH; 3X IN MAIN HALLWAY ON 1 SWITCH (STANDARD LIGHT RELOCATED TO KITCHEN ISLAND); 4X IN LIBRARY ON 1 SWITCH; 3X IN UPPER HALLWAY ON EXISTING 3 WAY SWITCH-DELETE STANDARD LIGHTS) . SEE SKETCH # 2 AND 3
1522 27Nov23 ** NoCat	1	LIBRARY - OPEN UP WALL BETWEEN FOYER AND LIBRARY TRIMMED ARCHWAY WITH NIB WALLS ON BOTH ENDS SKETCH # 2 DRYWALL-Notify;ELECTRICAL-Notify;FRAMING-Notify;HARDWOOD-Notify;HEATING-Notify;INTERIOR TRIMS-Notify;PAINTING-Notify
1522 27Nov23 ** NoCat	1	KITCHEN/BREAKFAST - OPTION 1 - CLOSE OFF ENTRANCE FROM STAIRS TO BREAKFAST ROOM SKETCH # 2 DRYWALL-Notify;ELECTRICAL-Notify;FRAMING-Notify;HARDWOOD-Notify;HEATING-Notify;INTERIOR TRIMS-Notify;PAINTING-Notify
1522 27Nov23 ** NoCat	1	LIBRARY - DELETE FRENCH DOOR FROM HALLWAY TO LIBRARY AND CLOSE WALL SKETCH # 2 DRYWALL-Notify;ELECTRICAL-Notify;FRAMING-Notify;HARDWOOD-Notify;HEATING-Notify;PAINTING-Notify
1522 27Nov23 ** NoCat	1	KITCHEN - DELETE BULKHEADS IN THE KITCHEN ABOVE CABINETS. CONFIRMED BULKHEADS ARE NOT REQUIRED. DRYWALL-Notify;ELECTRICAL-Notify;FRAMING-Notify;HEATING-Notify;PAINTING-Notify NOTE: THERE WILL BE A STANDARD BULKHEAD ON REAR WALL OF KITCHEN/BREAKFAST ROOM ALONG WINDOW AND PATIO DOOR.
1592 362,442 18Dec23 **	1	- WAFFLE CEILING - INSTALL WAFFLE CEILING. COFFERED CEILING IS STANDARD - GREAT ROOM - UPG FRAMING-std Coffered Ceiling to accommodate Waffle; PAINTING-Paint mouldings (waffle) in Great Room
1592 362,443 18Dec23 **	1	- WAFFLE CEILING - INSTALL WAFFLE CEILING. COFFERED CEILING IS STANDARD - LIBRARY - UPG FRAMING-std Coffered Ceiling to accommodate Waffle; PAINTING-Paint mouldings (waffle) in Library



CONSTRUCTION SUMMARY

Lot: 35
Model: 39-3356 A The Sprucehill
Project/Phase: Country Lane / 1

HARDWOOD

Invoice	Qty.	Description
1522 27Nov23 ** NoCat	1	LIBRARY - OPEN UP WALL BETWEEN FOYER AND LIBRARY TRIMMED ARCHWAY WITH NIB WALLS ON BOTH ENDS SKETCH # 2 DRYWALL-Notify;ELECTRICAL-Notify;FRAMING-Notify;HARDWOOD-Notify;HEATING-Notify;INTERIOR TRIMS-Notify;PAINTING-Notify
1522 27Nov23 ** NoCat	1	KITCHEN/BREAKFAST - OPTION 1 - CLOSE OFF ENTRANCE FROM STAIRS TO BREAKFAST ROOM SKETCH # 2 DRYWALL-Notify;ELECTRICAL-Notify;FRAMING-Notify;HARDWOOD-Notify;HEATING-Notify;INTERIOR TRIMS-Notify;PAINTING-Notify
1522 27Nov23 ** NoCat	1	LIBRARY - DELETE FRENCH DOOR FROM HALLWAY TO LIBRARY AND CLOSE WALL SKETCH # 2 DRYWALL-Notify;ELECTRICAL-Notify;FRAMING-Notify;HARDWOOD-Notify;HEATING-Notify;PAINTING
1592 18Dec23 NoCat	1	KITCHEN/BREAKFAST - Hardwood - 5 in Vintage Sculpted NSS Red Oak UVF-Oil or Pearl - Kitchen/Breakfast - UPG CABINTRY-Raise Cabinet; CERAMICS-Delete Std Ceramics; Interior Stairs-Adjust riser height where applicab



CONSTRUCTION SUMMARY

Lot: 35
Model: 39-3356 A The Sprucehill
Project/Phase: Country Lane / 1

HEATING / AIR CONDITIONING

Invoice	Qty.	Description
1522 362,067 27Nov23	1	- HEATING/AIR-ROUGH-IN GAS LINE FOR BBQ AT MAIN FLOOR UP TO 40 FT (QUICK CONNECT NOT INCLUDED); ELECTRICAL OUTLET PRICED SEPARATELY IF REQUIRED SEE SKETCH # 2
1522 362,070 27Nov23	1	KITCHEN - HEATING/AIR-ROUGH-IN GAS LINE FOR GAS STOVE AT MAIN FLOOR (SEE SPECS) (HOOK-UP NOT INCLUDED) LEAVE STANDARD 120 VOLT ELECTRICAL OUTLET ON A SEPARATE CIRCUIT. * SPECIFY IF STANDARD 220V WILL STAY OR BE RELOCATED STANDARD 220V TO REMAIN SKETCH # 2 ELECTRICAL-Notify
1522 27Nov23 ** NoCat	1	LIBRARY - OPEN UP WALL BETWEEN FOYER AND LIBRARY TRIMMED ARCHWAY WITH NIB WALLS ON BOTH ENDS SKETCH # 2 DRYWALL-Notify;ELECTRICAL-Notify;FRAMING-Notify;HARDWOOD-Notify;HEATING-Notify;INTERIOR TRIMS-Notify;PAINTING-Notify
1522 27Nov23 ** NoCat	1	KITCHEN/BREAKFAST - OPTION 1 - CLOSE OFF ENTRANCE FROM STAIRS TO BREAKFAST ROOM SKETCH # 2 DRYWALL-Notify;ELECTRICAL-Notify;FRAMING-Notify;HARDWOOD-Notify;HEATING-Notify;INTERIOR TRIMS-Notify;PAINTING-Notify
1522 362,064 27Nov23	1	KITCHEN - HEATING / AIR CONDITIONING-INCREASE RANGE HOOD DUCT SIZE FROM 6 IN TO 8 IN CHIMNEY HOODFAN REQUIRES 6" DUCT- INSTALL REDUCER FROM 8" DUCT ON EXTERIOR WALL (FOR FUTURE HOODFAN INSTALLED BY PURCHASER AFTER CLOSING) TO 6" ON INTERIOR FOR SELECTED CYCLONE 36" HOODFAN SKETCH # 2 SEE REVISED COLOUR PGS 49
1522 27Nov23 ** NoCat	1	LIBRARY - DELETE FRENCH DOOR FROM HALLWAY TO LIBRARY AND CLOSE WALL SKETCH # 2 DRYWALL-Notify;ELECTRICAL-Notify;FRAMING-Notify;HARDWOOD-Notify;HEATING-Notify;PAINTING-Notify
1522 27Nov23 ** NoCat	1	KITCHEN - DELETE BULKHEADS IN THE KITCHEN ABOVE CABINETS. CONFIRMED BULKHEADS ARE NOT REQUIRED. DRYWALL-Notify;ELECTRICAL-Notify;FRAMING-Notify;HEATING-Notify;PAINTING-Notify NOTE: THERE WILL BE A STANDARD BULKHEAD ON REAR WALL OF KITCHEN/BREAKFAST ROOM ALONG WINDOW AND PATIO DOOR.

INTERIOR STAIRS

Invoice	Qty.	Description
1592 18Dec23 ** NoCat	1	KITCHEN/BREAKFAST - Hardwood - 5 in Vintage Sculpted NSS Red Oak UVF-Oil or Pearl - Kitchen/Breakfast - UPG CABINTRY-Raise Cabinet; CERAMICS-Delete Std Ceramics; Interior Stairs-Adjust riser height where applicable



CONSTRUCTION SUMMARY

Lot: 35
Model: 39-3356 A The Sprucehill
Project/Phase: Country Lane / 1

INTERIOR TRIM AND DOORS

Invoice	Qty.	Description
1522 27Nov23 ** NoCat	1	LIBRARY - OPEN UP WALL BETWEEN FOYER AND LIBRARY TRIMMED ARCHWAY WITH NIB WALLS ON BOTH ENDS SKETCH # 2 DRYWALL-Notify;ELECTRICAL-Notify;FRAMING-Notify;HARDWOOD-Notify;HEATING-Notify;INTERIOR TRIMS-Notify;PAINTING-Notify
1522 27Nov23 ** NoCat	1	KITCHEN/BREAKFAST - OPTION 1 - CLOSE OFF ENTRANCE FROM STAIRS TO BREAKFAST ROOM SKETCH # 2 DRYWALL-Notify;ELECTRICAL-Notify;FRAMING-Notify;HARDWOOD-Notify;HEATING-Notify;INTERIOR TRIMS-Notify;PAINTING-Notify
1522 27Nov23 ** NoCat	1	LIBRARY - DELETE FRENCH DOOR FROM HALLWAY TO LIBRARY AND CLOSE WALL SKETCH # 2 DRYWALL-Notify;ELECTRICAL-Notify;FRAMING-Notify;HARDWOOD-Notify;HEATING-Notify;PAINTING



CONSTRUCTION SUMMARY

Lot: 35
Model: 39-3356 A The Sprucehill
Project/Phase: Country Lane / 1

PAINTING

Invoice	Qty.	Description
1522 362,440 27Nov23 **	1	- DRYWALL - SMOOTH CEILINGS - BASEMENT - UPG PAINTING-Paint Smooth Ceiling
1522 362,441 27Nov23 **	1	- DRYWALL - SMOOTH CEILINGS - SECOND FLOOR - UPG ELECTRICAL-Drop electrical boxes; PAINTING-Paint smooth ceiling
1522 27Nov23 ** NoCat	1	LIBRARY - OPEN UP WALL BETWEEN FOYER AND LIBRARY TRIMMED ARCHWAY WITH NIB WALLS ON BOTH ENDS SKETCH # 2 DRYWALL-Notify;ELECTRICAL-Notify;FRAMING-Notify;HARDWOOD-Notify;HEATING-Notify;INTERIOR TRIMS-Notify;PAINTING-Notify
1522 27Nov23 ** NoCat	1	KITCHEN/BREAKFAST - OPTION 1 - CLOSE OFF ENTRANCE FROM STAIRS TO BREAKFAST ROOM SKETCH # 2 DRYWALL-Notify;ELECTRICAL-Notify;FRAMING-Notify;HARDWOOD-Notify;HEATING-Notify;INTERIOR TRIMS-Notify;PAINTING-Notify
1522 27Nov23 ** NoCat	1	LIBRARY - DELETE FRENCH DOOR FROM HALLWAY TO LIBRARY AND CLOSE WALL SKETCH # 2 DRYWALL-Notify;ELECTRICAL-Notify;FRAMING-Notify;HARDWOOD-Notify;HEATING-Notify;PAINTING
1522 27Nov23 ** NoCat	1	KITCHEN - DELETE BULKHEADS IN THE KITCHEN ABOVE CABINETS. CONFIRMED BULKHEADS ARE NOT REQUIRED. DRYWALL-Notify;ELECTRICAL-Notify;FRAMING-Notify;HEATING-Notify;PAINTING-Notify NOTE: THERE WILL BE A STANDARD BULKHEAD ON REAR WALL OF KITCHEN/BREAKFAST ROOM ALONG WINDOW AND PATIO DOOR.
1592 362,442 18Dec23 **	1	- WAFFLE CEILING - INSTALL WAFFLE CEILING. COFFERED CEILING IS STANDARD - GREAT ROOM - UPG FRAMING-std Coffered Ceiling to accommodate Waffle; PAINTING-Paint mouldings (waffle) in Great Room
1592 362,443 18Dec23 **	1	- WAFFLE CEILING - INSTALL WAFFLE CEILING. COFFERED CEILING IS STANDARD - LIBRARY - UPG FRAMING-std Coffered Ceiling to accommodate Waffle; PAINTING-Paint mouldings (waffle) in Library

PLUMBING

Invoice	Qty.	Description
1522 362,391 27Nov23	1	- PLUMBING-OPTIONAL EXTRA-ROUGH- IN FOR FUTURE WET BAR - INSTALL IN UNFINISHED BASEMENT AREA . SEE SKETCH # 1 CONCRETE and DRAIN-Notify
1522 362,391 27Nov23	1	KITCHEN - PLUMBING-OPTIONAL EXTRA-ROUGH- IN FOR FUTURE WET BAR - INSTALL IN KITCHEN FOR FUTURE BAR SINK TO BE INSTALLED BY PURCHASER AFTER CLOSING CONCRETE and DRAIN-Notify SEE SKETCH # 2



CONSTRUCTION SUMMARY

Lot: 35
Model: 39-3356 A The Sprucehill
Project/Phase: Country Lane / 1

SECURITY

Invoice	Qty.	Description
1592 362,400 18Dec23	4	- SECURITY-SECURITY CAMERA ROUGH-IN SEE SKETCH # 6

STRUCTURED WIRING

Invoice	Qty.	Description
1592 362,406 18Dec23	1	FINISHED BASEMENT FAMILY (REC) ROOM - STRUCTURED WIRING-CONDUIT PIPE TO ABOVE FIREPLACE ROUGH-IN SKETCH # 5
1592 362,407 18Dec23	2	FINISHED BASEMENT FAMILY (REC) ROOM - STRUCTURED WIRING-DATA LINE ROUGH-IN CAT6 TO PANEL FROM FINISHED BASEMENT FAMILY ROOM SKETCH # 5
1592 362,420 18Dec23	1	FINISHED BASEMENT FAMILY (REC) ROOM - STRUCTURED WIRING-SUBWOOTER COAX / 16 GAUGE TO HUB (ROUGH-IN ONLY) SKETCH # 5
1592 362,414 18Dec23	7	FINISHED BASEMENT FAMILY (REC) ROOM - STRUCTURED WIRING-ROUGH-IN SPEAKER CABLE SKETCH # 5
1592 362,407 18Dec23	1	GREAT ROOM - STRUCTURED WIRING-DATA LINE ROUGH-IN CAT6 72 IN +/- ABOVE FIREPLACE TO HUB SKETCH # 6
1592 362,407 18Dec23	1	DINING ROOM/HALL - STRUCTURED WIRING-DATA LINE ROUGH-IN CAT6 INSTALL ONE CAT6 IN CEILING AT OPEN TO ABOVE AREA BETWEEN DINING AND MAIN STAIRS SKETCH # 6
1592 362,412 18Dec23	2	GREAT ROOM - STRUCTURED WIRING-RELOCATION OF TV/PHONE RELOCATE BOTH TV AND TELEPHONE TO 72 IN +/- ABOVE FIREPLACE SKETCH # 6
1592 362,407 18Dec23	1	UPPER HALL - STRUCTURED WIRING-DATA LINE ROUGH-IN CAT6 INSTALL IN CEILING ACCESS POINT SEE SKETCH # 7
1592 362,407 18Dec23	2	FINISHED BASEMENT FAMILY (REC) ROOM - STRUCTURED WIRING-DATA LINE ROUGH-IN CAT6 2 x CAT6 FROM MAIN HUB TO PANEL SKETCH # 5



CONSTRUCTION SUMMARY

Lot: 35
Model: 39-3356 A The Sprucehill
Project/Phase: Country Lane / 1

WAFFLE CEILING

Invoice	Qty.	Description
1592 362,442 18Dec23	1	- WAFFLE CEILING - INSTALL WAFFLE CEILING. COFFERED CEILING IS STANDARD - GREAT ROOM - UPG FRAMING-std Coffered Ceiling to accommodate Waffle; PAINTING-Paint mouldings (waffle) in Great Room
1592 362,443 18Dec23	1	- WAFFLE CEILING - INSTALL WAFFLE CEILING. COFFERED CEILING IS STANDARD - LIBRARY - UPG FRAMING-std Coffered Ceiling to accommodate Waffle; PAINTING-Paint mouldings (waffle) in Library

The Sprucehill

ELEVATION A: 4,160 SQ. FT.

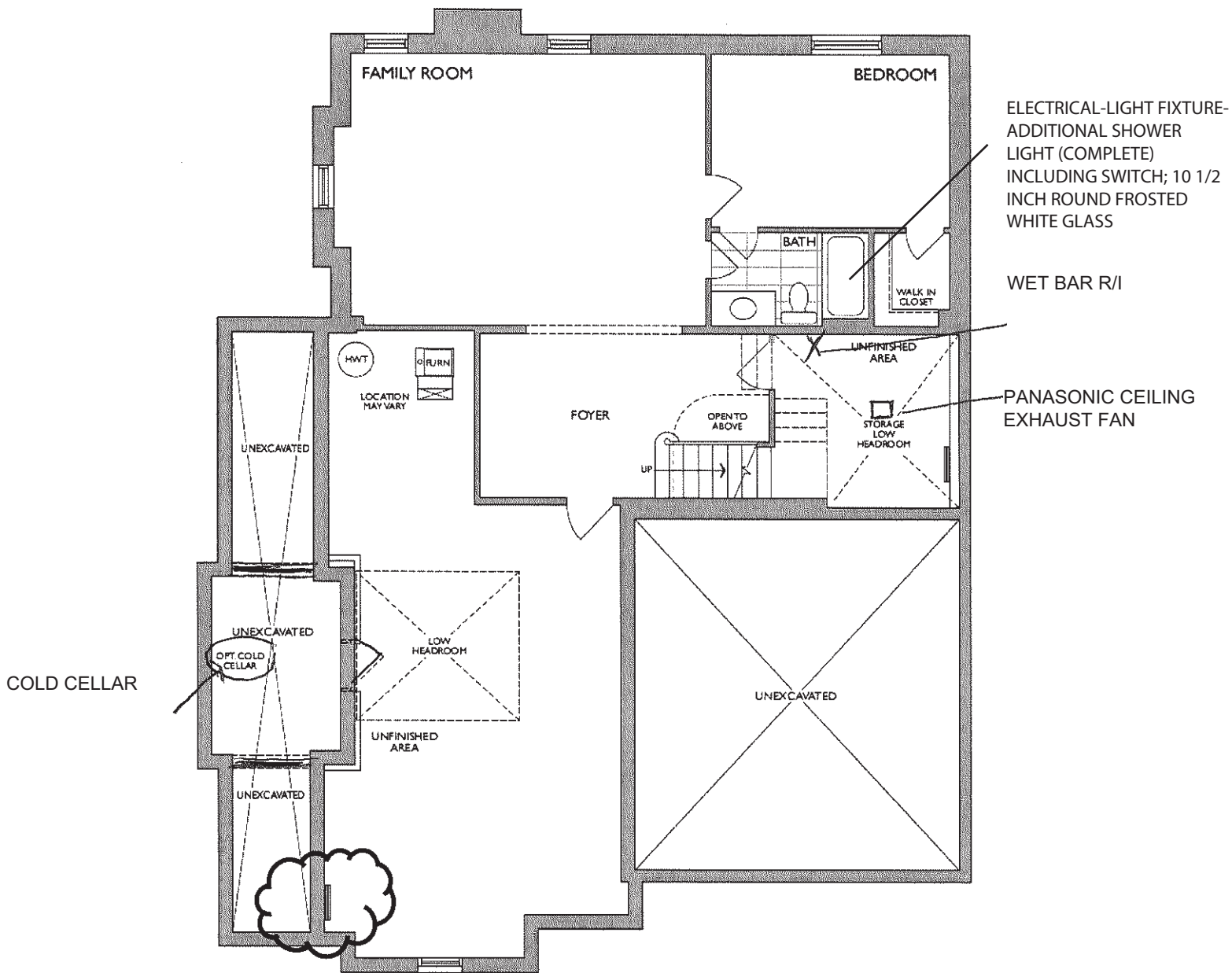
{ Includes 804 sq. ft. of finished Lower Level }

THE TRAILS OF COUNTRY LANE

Sketch #1

39-3356 CRN ELEV. A

** SUPPLY AND INSTALL FIBERGLASS SOUND DAMPING INSULATION TO THE BASEMENT CEILING AND WALL INCLUDING STAIRCASE (FOR FINISHED AREA ONLY)



LOWER LEVEL
 ELEV. A

* Electric Panel relocated

The Sprucehill

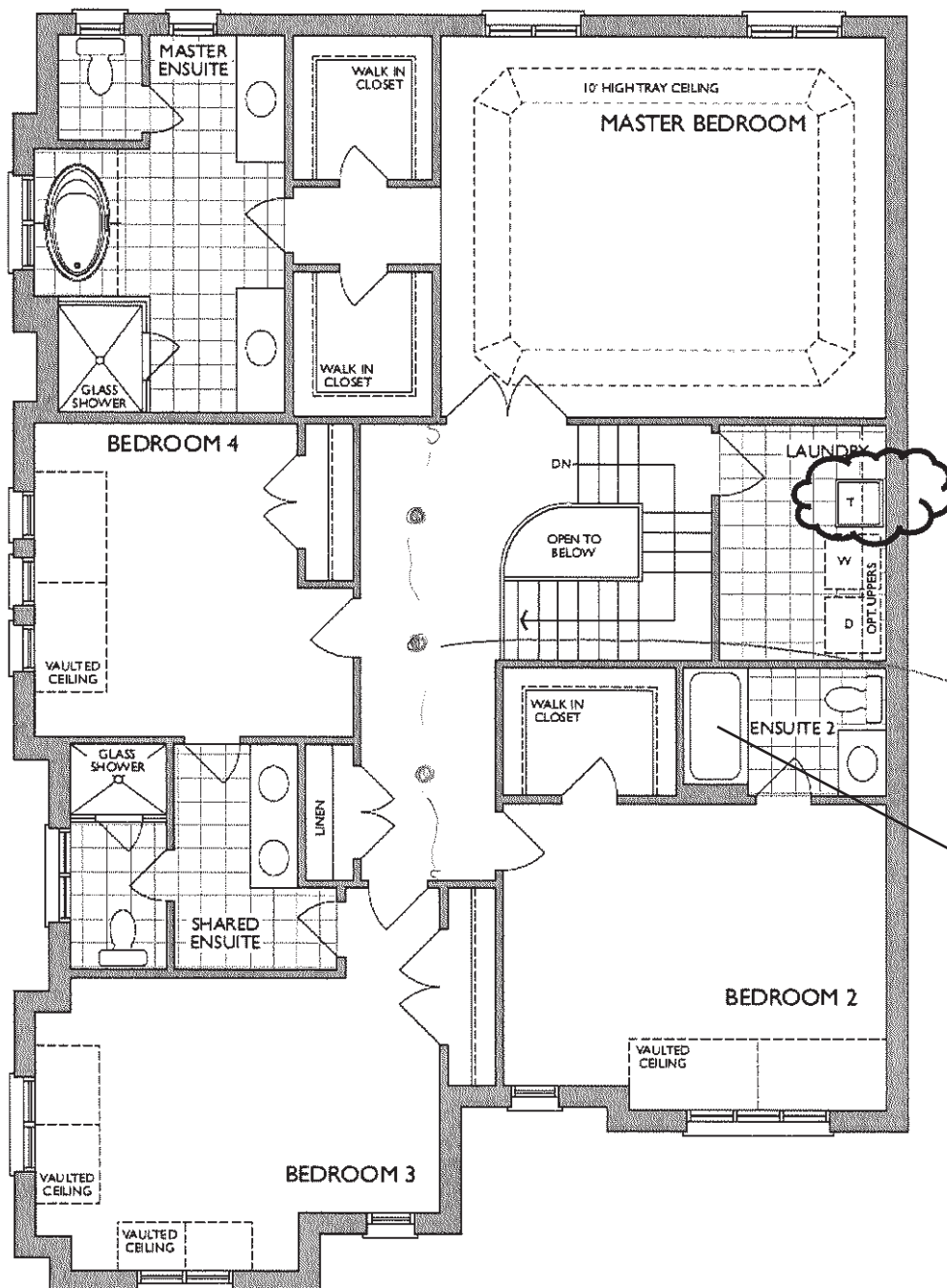
ELEVATION A: 4,160 SQ. FT.

{ Includes 804 sq. ft. of finished Lower Level }

THE TRAILS OF COUNTRY LANE

SKETCH #3

39-3356 CRN ELEV. A

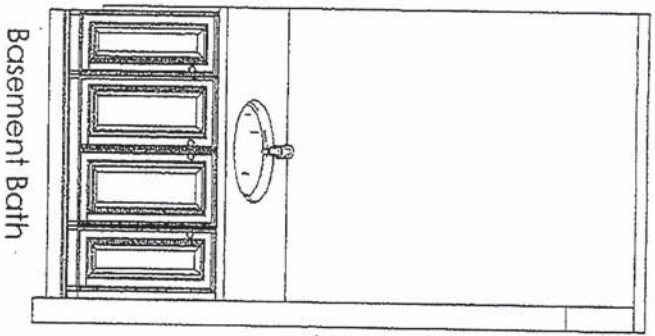


SECOND FLOOR
ELEV. A

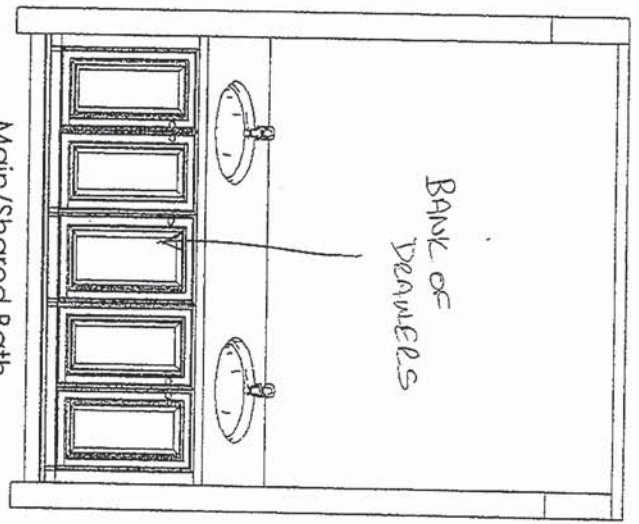
* Opt. Upers extends over the laundry tub

Vanities

Sketch # 4

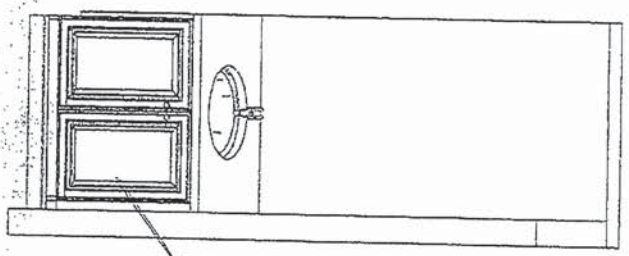


Basement Bath



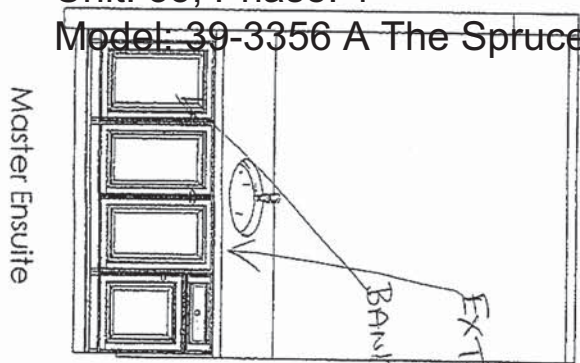
Main/Shared Bath

BANK OF DRAWERS



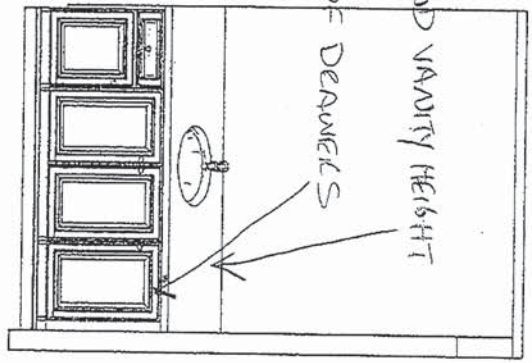
Ensuite 2

EXTEND VANITY HEIGHT

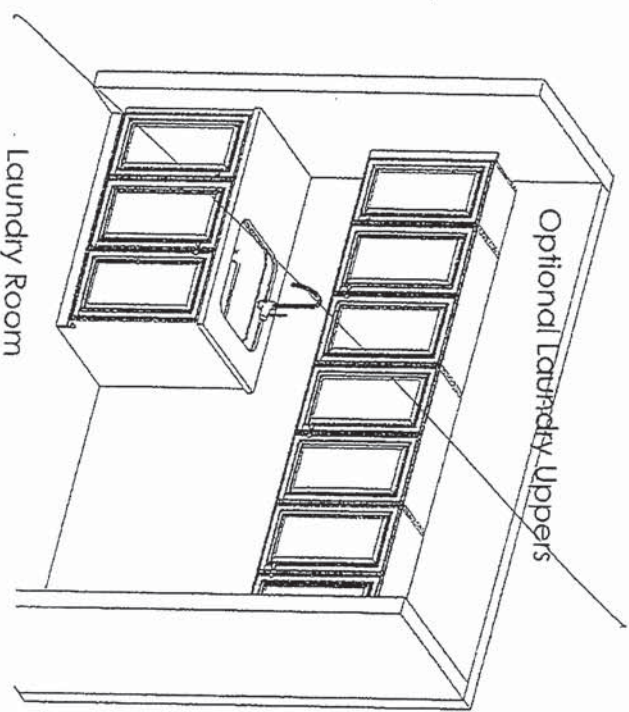


Master Ensuite

EXTEND VANITY HEIGHT
BANK OF DRAWERS



This sketch is for DESIGN PURPOSES ONLY - It is not meant to be an exact rendition.



Laundry Room

Optional Laundry Uppers



FRENDEL
KITCHENS LIMITED
1329 Shoppers Drive, Mississauga, ON L4W 1C5

Heathwood Homes
Country Lane, Whitby
Model Type-4503
The Classic Series

Drawn By: Sanjeev Kumar
Date: November 28, 2017
Revision:
Scale: Not To Scale

Approved By Builder:

Date:

DS
ms

The Sprucehill

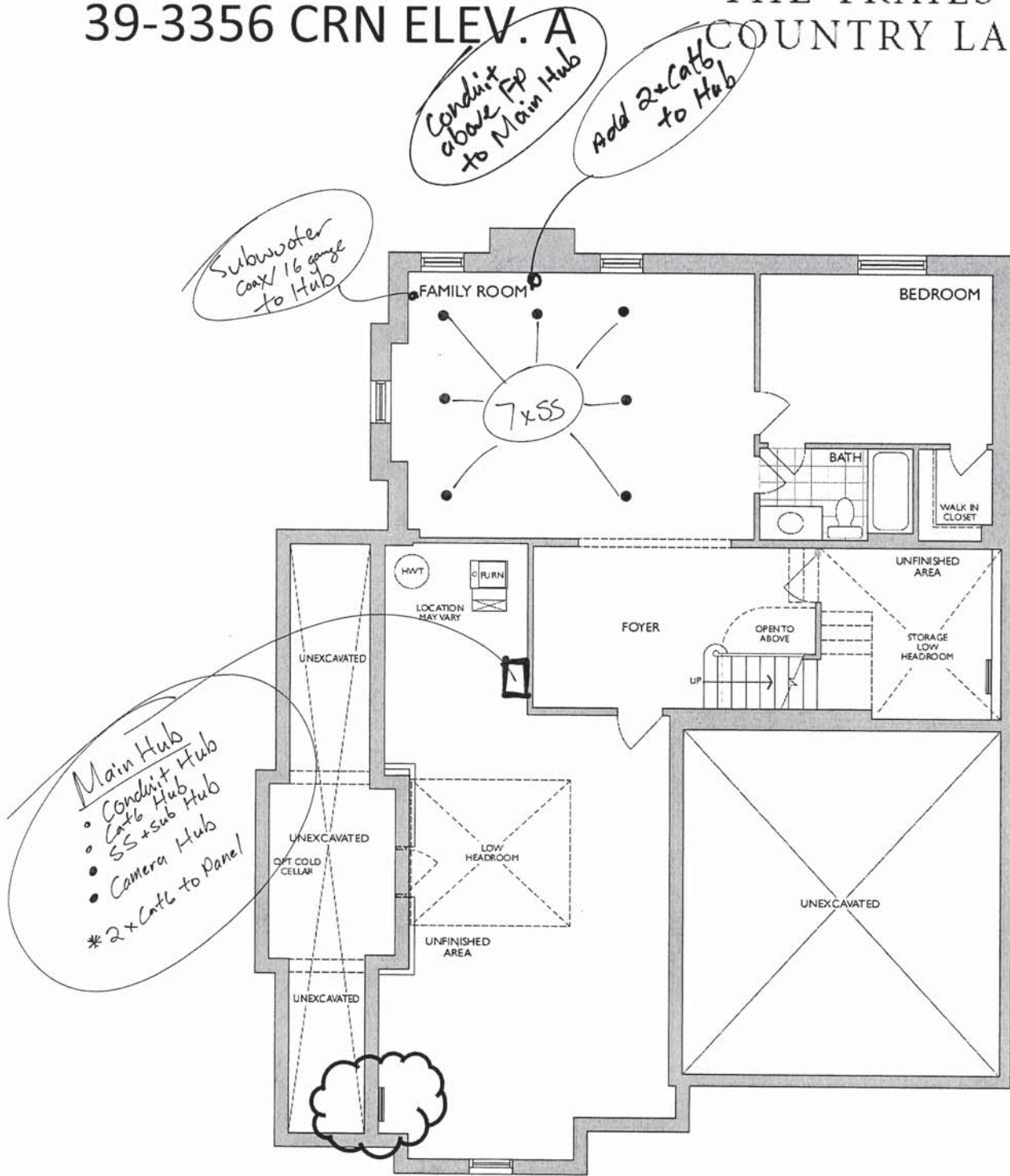
ELEVATION A: 4,160 SQ. FT.

{ Includes 804 sq. ft. of finished Lower Level }

THE TRAILS OF COUNTRY LANE

Sketch # 5

39-3356 CRN ELEV. A



LOWER LEVEL
 ELEV. A

* Electric Panel relocated

Sounia Murtuza

Nov 11, 2023

The Sprucehill

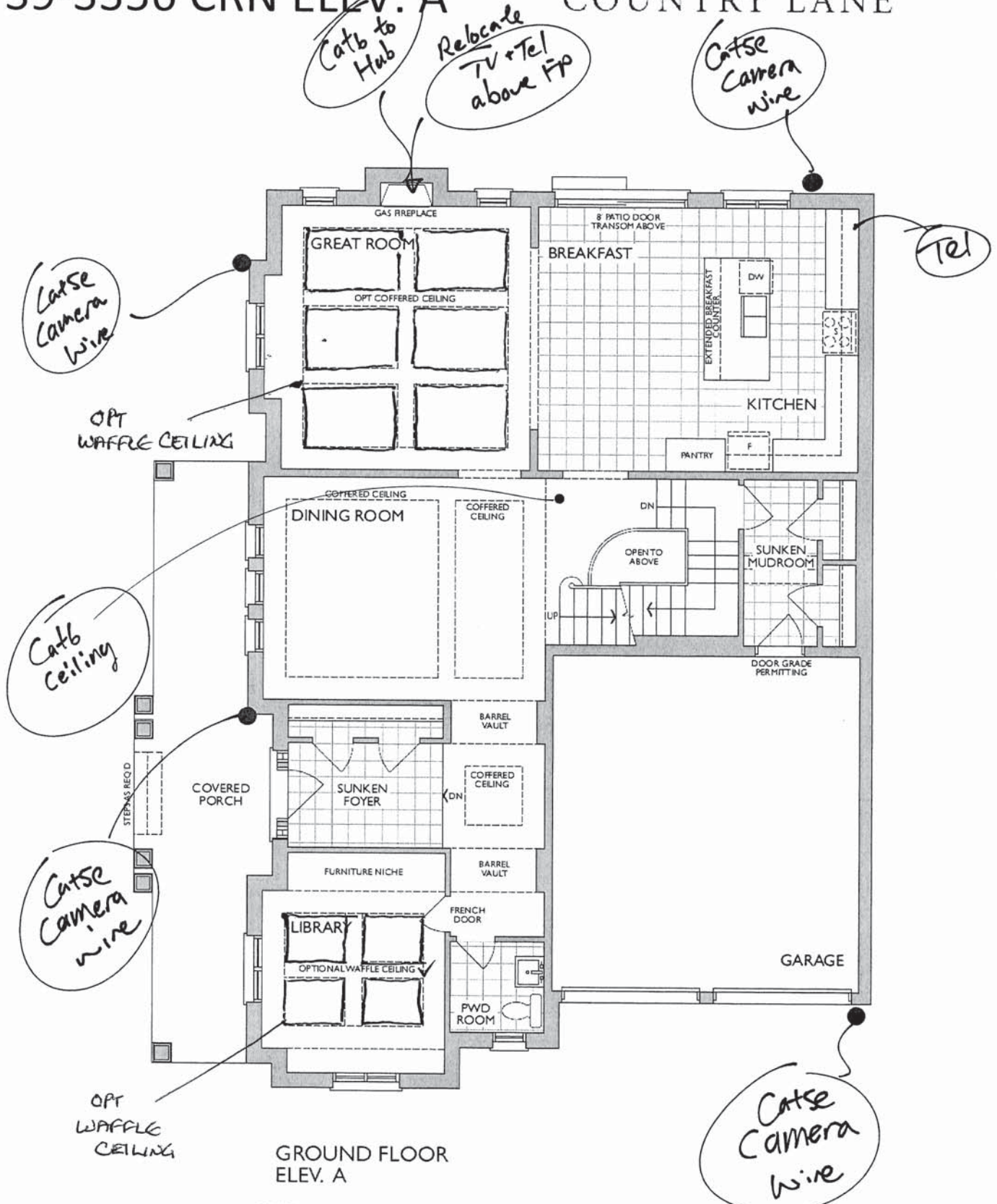
Sketch #6

ELEVATION A: 4,160 SQ. FT.

{ Includes 804 sq. ft. of finished Lower Level }

THE TRAILS OF COUNTRY LANE

39-3356 CRN ELEV. A



Sounia Murtuza

The Sprucehill

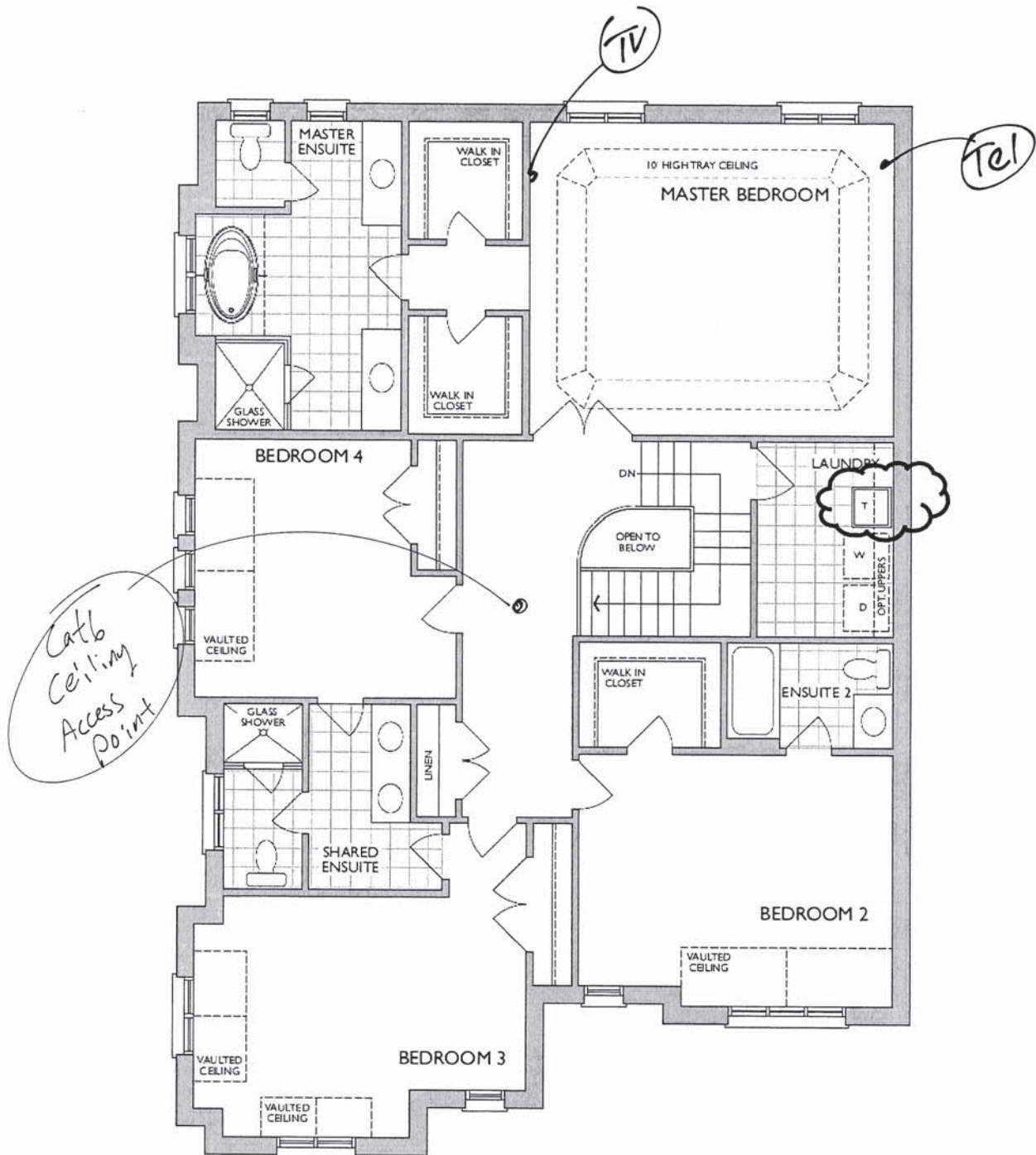
ELEVATION A: 4,160 SQ. FT.

{ Includes 804 sq. ft. of finished Lower Level }

THE TRAILS OF COUNTRY LANE

Sketch # 7

39-3356 CRN ELEV. A

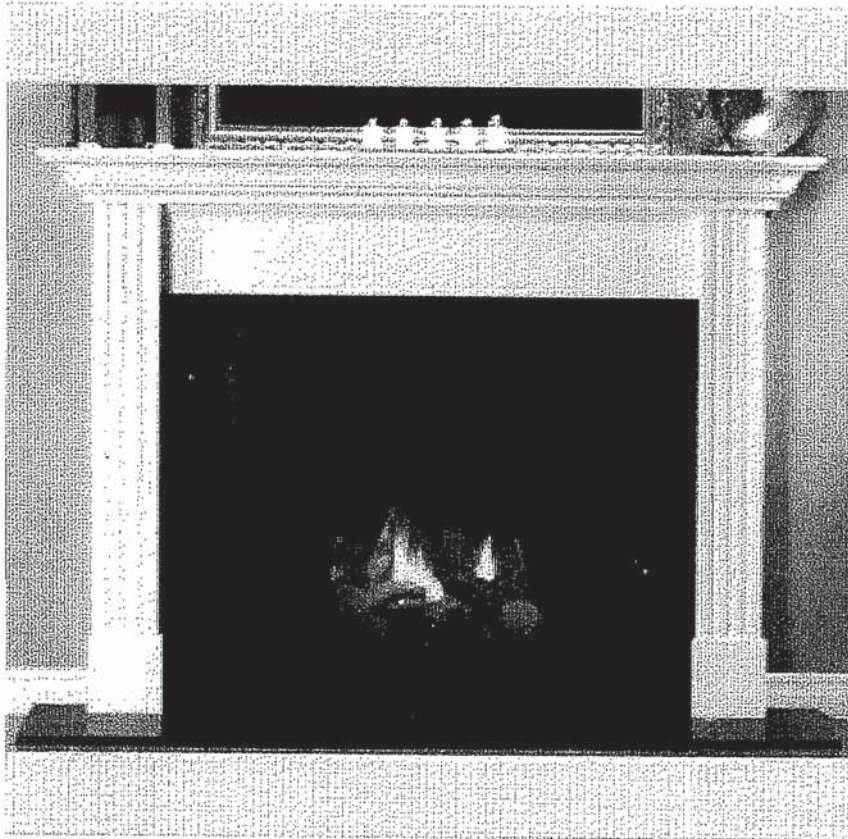


SECOND FLOOR
ELEV. A

Soumia Murtuza

* Opt. Uppers extends over the laundry tub

Nov 11, 2023

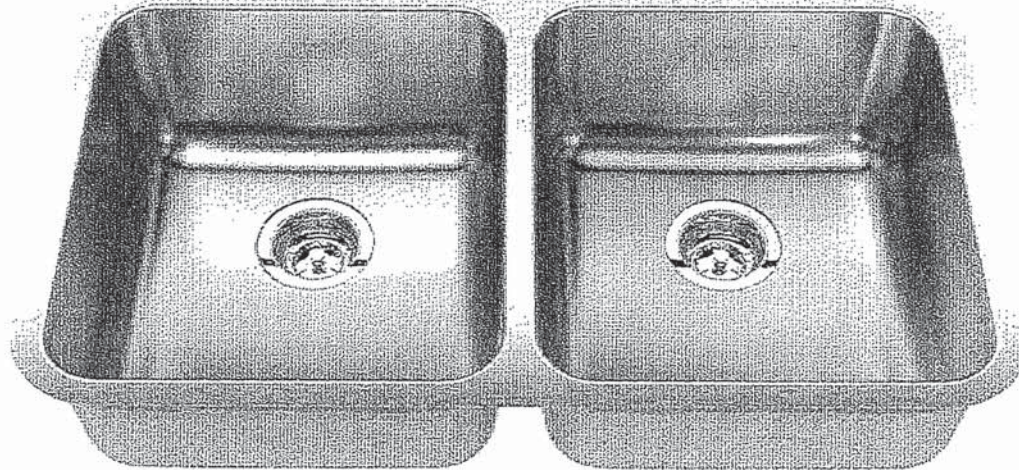


NEAS NF15 Mantel

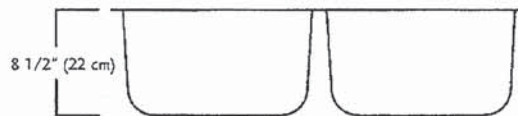
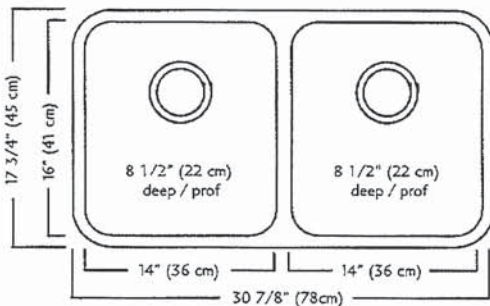


Reginox

ND1831UA/9



Optional Accessories



ND1831UA/9 SPECIFICATION

Model ND1831UA/9 is a double (two equal size) bowl undermount sink manufactured by Franke Kindred Canada Limited from 18 gauge stainless steel. Product has silk finished rims and linear brush finished bowls. Sink is fully undercoated. Basket strainer waste fittings (3 1/2", 89 mm) are included. Sink is backed with a limited lifetime warranty.

- O.D. 17 3/4" x 30 7/8" x 8 1/2" (45 x 78 x 22 cm)
- Recommended for minimum 36" cabinet

Franke Kindred Canada Limited

P.O. Box 190, 1000 Franke Kindred Road, Midland, Ontario, Canada, L4R 4K9 Phone: 866-687-7465 Fax: 800-361-8408



MOEN®

Specifications

FAUCET DESCRIPTION

- Reflex™ pulldown system offers smooth operation, easy movement and secure docking
- Power Clean™ spray technology
- Metal construction with various finishes identified by suffix
- Quick connect installation
- Pulldown spray with 68" braided hose
- Flexible supply lines with 3/8" compression fittings
- High arc spout provides height and reach to fill or clean large pots while pulldown wand provides the maneuverability for cleaning or rinsing
- 360° rotating spout
- Faucet designed for handle to be mounted on right side only

OPERATION

- Lever style handle
- Temperature controlled by 100° arc of handle travel
- Operates with less than 5 lbs. of force
- Operates in stream or spray mode in the pullout or retracted position

FLOW

- Flow is limited to 1.5 gpm (5.7 L/min) max at 60 psi

CARTRIDGE

- 1255™ Duralast™ cartridge

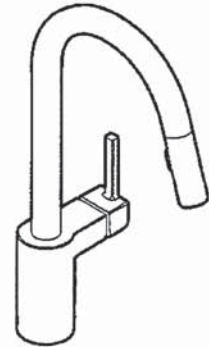
STANDARDS

- Third party certified to IAPMO Green, ASME A112.18.1/CSA B125.1 and all applicable requirements therein including NSF 61/9G & 372
- Meets CalGreen and Georgia SB370 requirements
- Complies with California Proposition 65 and with the Federal Safe Drinking Water Act
- The backflow protection system in the device consists of two independently operating check valves, a primary and a secondary which prevent backflow

- ADA  for lever handle

WARRANTY

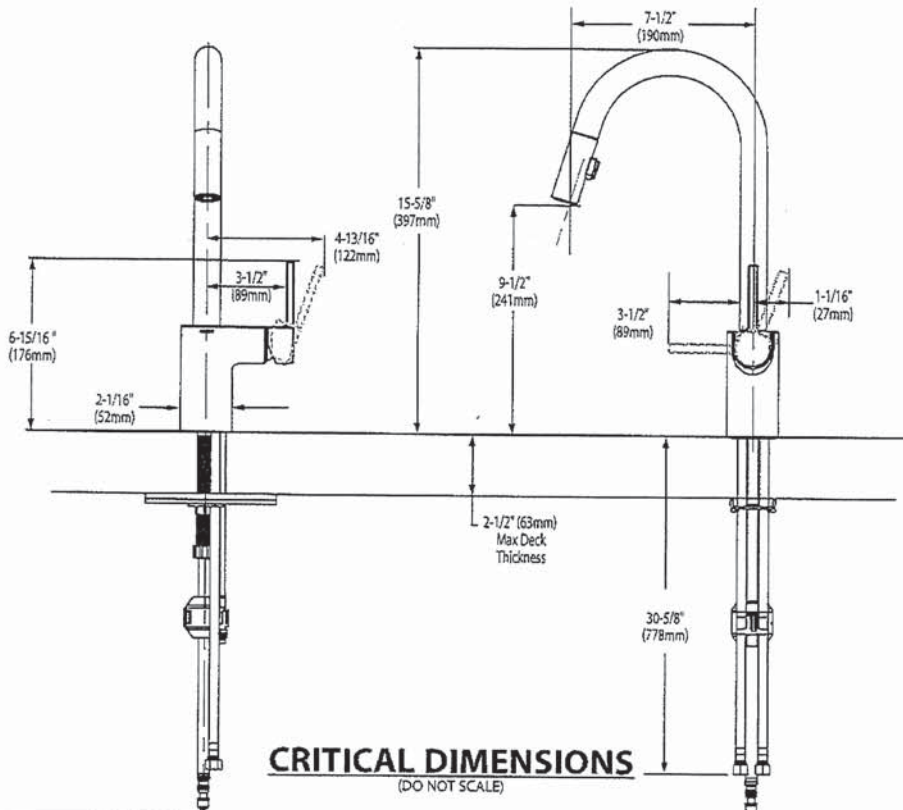
- Lifetime limited warranty against leaks, drips and finish defects to the original homeowner
 - 10 year limited warranty when used in a multifamily installation
 - 5 year limited warranty when used in a commercial installation
- Visit www.moen.com/support for complete details and limitations



ALIGN™
Single Handle High Arc
Pulldown Kitchen Faucet

Models: 7565 series

NOTE: THIS FAUCET IS DESIGNED TO BE INSTALLED THROUGH 1 HOLE, 1-1/2" (38mm) MIN. DIA. (OPTIONAL 3-HOLE ESCUTCHEON 141002 AVAILABLE)



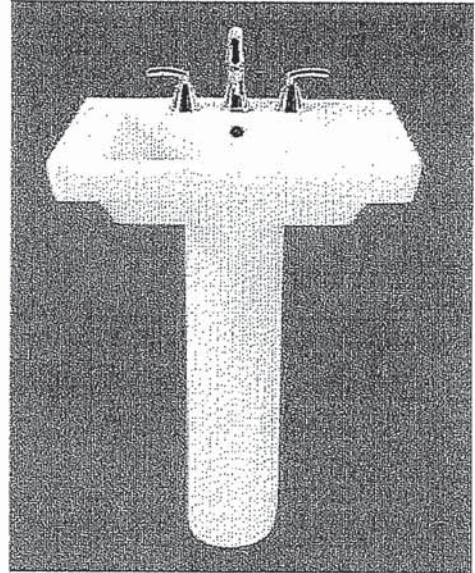


BARRIER FREE (ABOVE COUNTER OR DROP-IN ONLY)

BOULEVARD®
PEDESTAL SINK
VITREOUS CHINA

BOULEVARD® PEDESTAL SINK

- ~~0641.800~~ Faucet holes on 8" (203mm) centers (Illustrated)
- STD **0641.400** Faucet holes on 4" (102mm) centers
- ~~0641.100~~ Center hole only
- Classic styled rectangular pedestal lavatory
 - Vitreous china
 - Rear overflow
 - Supplied with mounting kit
 - Right Height® for greater comfort during use
 - Faucet ledge with large deck area (faucet not included)
 - **Design coordinates with Boulevard® Toilet**
 - Basin has flat bottom to also allow use as an **above counter sink** or a **drop-in sink** (with u-shaped cut out)



SEE REVERSE FOR ROUGHING-IN DIMENSIONS

Nominal Dimensions:

24" x 19" x 35-1/2"
(610 x 483 x 902mm)

- 0641.008** Pedestal top-8" (203mm) centers
- 0641.004** Pedestal top-4" (102mm) centers
- 0641.001** Pedestal top-center hole only
- 0010.000** Pedestal only

Bowl sizes:

17" (432mm) wide,
12-1/2" (318mm) front to back,
5" (127mm) deep

Compliance Certifications -

Meets or Exceeds the Following Specifications:

- ASME A112.19.2 - 2008/CSA B45.1-08

<p>To Be Specified:</p> <ul style="list-style-type: none"> <input type="checkbox"/> Color: <input type="checkbox"/> White <input type="checkbox"/> Linen <input type="checkbox"/> Faucet Finish: <input type="checkbox"/> Supplies: <input type="checkbox"/> 1-1/4" Trap: <input type="checkbox"/> Nipple:
--

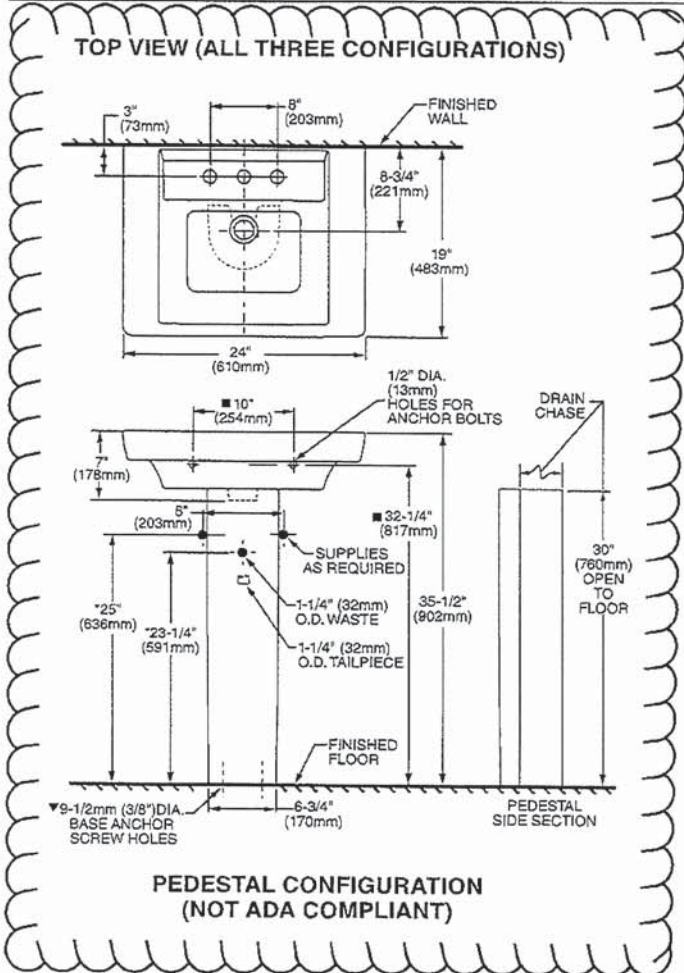
* See faucet section for additional models available



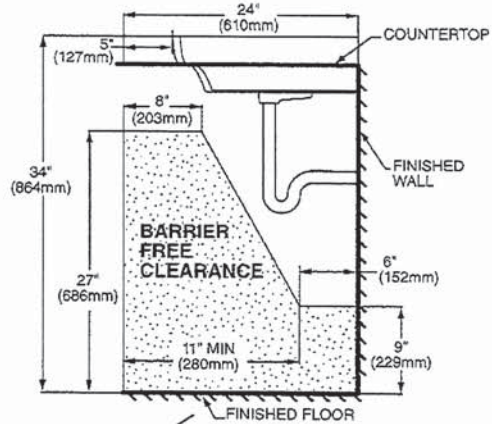
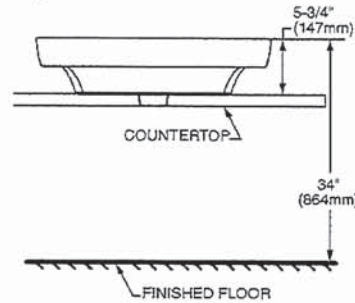
American Standard

**BOULEVARD®
 PEDESTAL SINK**
 VITREOUS CHINA

BARRIER FREE (ABOVE COUNTER OR DROP-IN ONLY)



ABOVE COUNTER CONFIGURATION



DROP-IN SINK CONFIGURATION

ABOVE COUNTER AND DROP-IN SINK CONFIGURATIONS MEET THE AMERICANS WITH DISABILITIES ACT GUIDELINES AND ANSI A117.1 ACCESSIBLE AND USABLE BUILDINGS AND FACILITIES - CHECK LOCAL CODES.
 Top of sink installed at 34" (864mm) height from finished floor.
 Sink installed 5" (127mm) minimum from front edge of countertop.
 Provide 27" (686mm) knee clearance area.

NOTES:
 * DIMENSIONS SHOWN FOR LOCATION OF SUPPLIES AND "P" TRAPS ARE SUGGESTED.
 ▼ PEDESTAL ANCHORING SCREWS NOT INCLUDED.
 ■ SUITABLE FOR REINFORCEMENT ONLY. ACTUAL DIMENSIONS MUST BE TAKEN FROM FIXTURE.
 FITTING NOT INCLUDED AND MUST BE ORDERED SEPARATELY.
 PROVIDE SUITABLE REINFORCEMENT FOR ALL WALL SUPPORTS.
 INSTALLATION INSTRUCTIONS SUPPLIED WITH LAVATORY.

IMPORTANT: Dimensions of fixtures are nominal and may vary within the range of tolerance established by ANSI Standard A112.19.2. These measurements are subject to change or cancellation. No responsibility is assumed for use of superseded or voided pages.

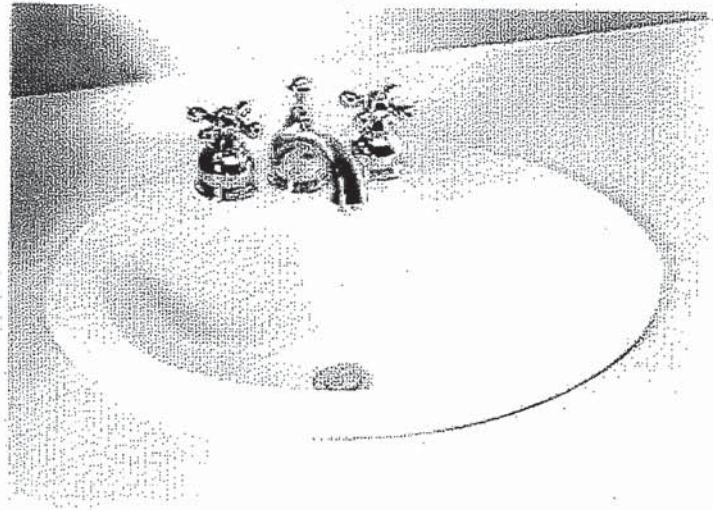
American Standard

BARRIER FREE

COLONY™
COUNTERTOP SINK
 VITREOUS CHINA

COLONY COUNTERTOP SINK

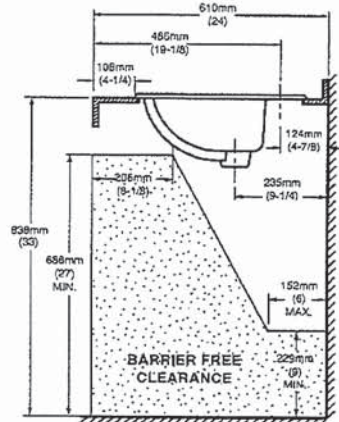
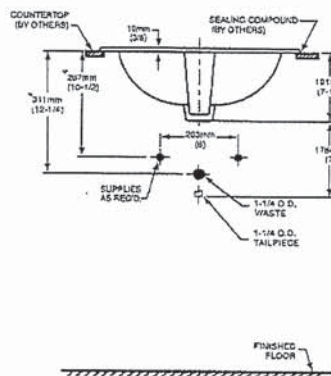
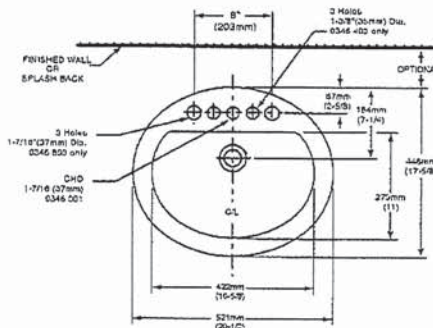
- Vitreous china
- Self-rimming
- Front overflow
- Supplied with template
- Faucet deck
 (Faucet shown not included)



- 0346 803**
 Faucet holes on 203mm (8") centres
- 0346 403 (Illustrated)**
 Faucet holes on 102mm (4") centres
- 0346 001**
 Centre hole only

Nominal Dimensions:
 521 x 448mm (20-1/2" x 17-5/8")

Bowl sizes:
 422mm (16-5/8") wide, 279mm (11") front to back, 143mm (5-5/8") deep



COMPLIANCE CERTIFICATIONS –
 Meets or exceeds the following Specifications:
 • ASME A112.19.2M for Vitreous China Fixtures.
 • CAN/CSA B45 Series.

- To Be Specified**
- Colour: White Bone Silver Gray Linen
 - Faucet*:
 - Faucet Finish:
 - Supplies & Stops:
 - Trap 1-1/4" (32 mm):

NOTES:
 * DIMENSIONS SHOWN FOR LOCATION OF SUPPLIES AND "P" TRAP ARE SUGGESTED. FOR COUNTERTOP CUTOUT AND INSTALLATION INSTRUCTIONS USE TEMPLATE SUPPLIED WITH SINK.
 FAUCETS NOT INCLUDED AND MUST BE ORDERED SEPARATELY.
 IMPORTANT: Dimensions of fixtures are nominal and may vary within the range of tolerances established by ANSI Standard A112.19.2.
 These measurements are subject to change or cancellation. No responsibility is assumed for use of superseded or voided pages.

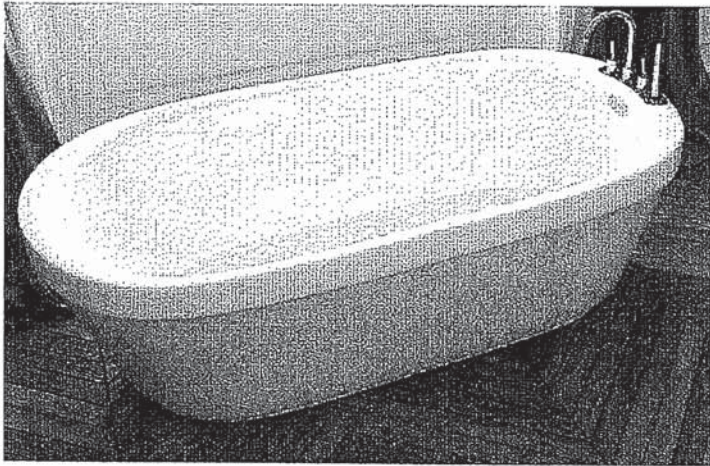
* See faucet section for additional models available





DEMI™ Product Specification Sheet

Two Piece Freestanding Collection



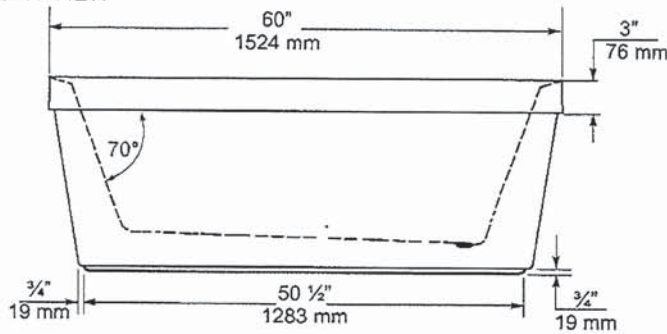
CF2007	Two Piece Freestanding Soaker
Size:	60" x 32" x 22" 1524 mm x 813 mm x 559 mm

PRODUCT FEATURES & BENEFITS

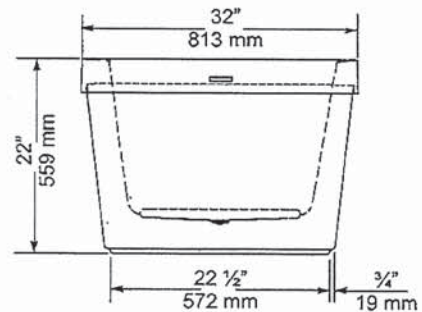
- Vacuum formed acrylic reinforced with fiberglass
- Scratch, stain and fade resistant high gloss finish
- Installation friendly two piece design
- Accepts deck mounted faucet
- Includes integral pop up drain and rectangular overflow
- Includes levelling feet

TWO PIECE ASSEMBLY

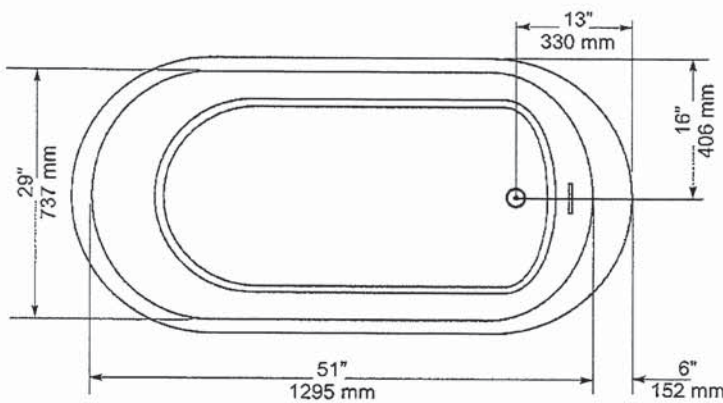
FRONT VIEW



END VIEW



TOP VIEW



GENERAL SPECIFICATIONS

Average Weight	90 lb	41 kg
Bathing Well at bottom	43" x 20"	1092 x 508 mm
Capacity Drain to Overflow		195 litres
Water Depth Drain to Overflow	16"	406 mm
Drain Opening (dia.)	2"	51 mm
Overflow Opening	2 1/2" x 1 1/2"	57 x 13 mm
Drain to Floor Clearance	3 1/4"	83 mm

NOTES: Please confirm measurements on actual product to ensure proper identification. Bathtub to be installed on the floor supported by 5 self levelling feet. Adjust if required to level the bathtub for adequate drainage. Refer to installation instructions for additional information.

IMPORTANT: Dimensions of fixtures are nominal and may vary ± 1/4" (6 mm). Weight may vary ± 5 lb (2.3 kg). Drawing is not to scale. These measurements are subject to change at manufacturer's discretion.

Compliance Certifications -

Meets or Exceeds the following Specifications:
 • CAN/CSA - B45 Series



American Standard

Style That Works Better

FloWise™ DUAL FLUSH ELONGATED TOILET

VITREOUS CHINA

FloWise™ DUAL FLUSH ELONGATED TOILET

2476 216

- Vitreous china
- Low-consumption Dual Flush
 Full flush 6.0 Lpf/1.3 gpf,
 Partial flush 3.0 Lpf/0.66 gpf.
- Elongated wash down bowl
- Internal trapway fully-glazed,
 2-1/4" (57mm) ballpass
- Concealed trapway bowl
- Chrome-plated top mounted
 push button actuator
- Easy to clean sanitary dam on bowl
- Includes Elongated Slow Close Seat
- 100% factory flush tested
- 2 bolt caps



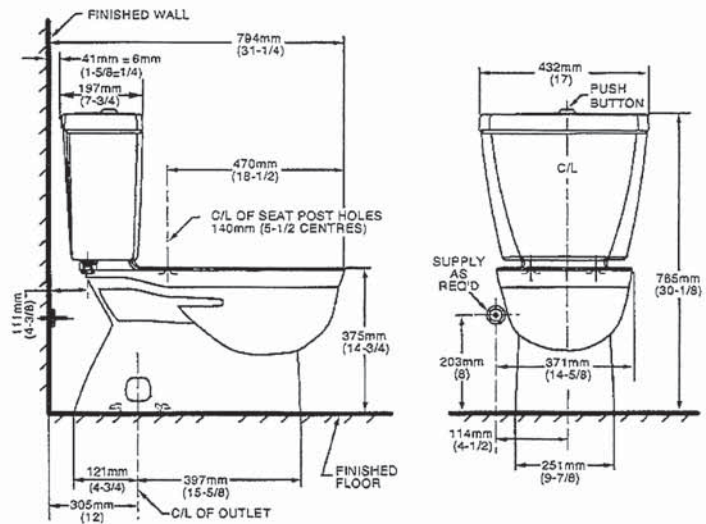
Separate Component Parts:

- 3067 316 Elongated Bowl with Slow Close Seat
- 4035 216 Unlined Tank

2476 516 Same as above with Lined tank

- 3067 316 Elongated Bowl
- 4035 516 Lined Tank

Nominal Dimensions:
 794 x 432 x 765mm
 (31-1/4" x 17" x 30-1/8")



Compliance Certifications - Meets or Exceeds the Following Specifications:

- ASME A112.19.2M (and 19.6M)
- CAN/CSA B45 series

To Be Specified

- Colour: 020 White
- Supply with stop:

NOTES:

THIS TOILET IS DESIGNED TO ROUGH-IN AT A MINIMUM DIMENSION OF 305MM (12") FROM FINISHED WALL TO C/L OF OUTLET.
 SUPPLY NOT INCLUDED WITH FIXTURE AND MUST BE ORDERED SEPARATELY.
 * DIMENSION SHOWN FOR LOCATION OF SUPPLY IS SUGGESTED.
 FOR ADDITIONAL INFORMATION REFER TO INSTALLATION INSTRUCTIONS SUPPLIED.
 IMPORTANT: Dimensions of fixtures are nominal and may vary within the range of tolerance established by ANSI Standard A112.19.2
 These measurements are subject to change or cancellation. No responsibility is assumed for use of superseded or voided pages.

UPGRADED VALUE ADDED FEATURES AT NO EXTRA CHARGE



MOEN®

Specifications

DESCRIPTION

- Metal construction with various finishes identified by suffix
- 16" long 3/8" tubing connections
- Includes metal or 50/50 pop-up type waste assembly where noted

OPERATION

- Pivot action lever style handle
- Temperature controlled through 180° degree arc of handle travel

FLOW

- Flow is limited to 1.5 gpm max (5.7L/min) at 60 psi

CARTRIDGE

- 1225 cartridge design
- Nonmetallic/nonferrous and stainless steel material
- Can accommodate reversed piping and back to back installations

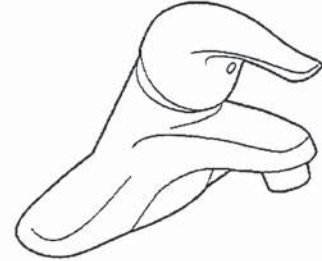
STANDARDS

- Third party certified to WaterSense®, CSA B-125.1, ASME A112.18.1 and all applicable requirements referenced therein including NSF61/9
- Complies with California Proposition 65 and with the Federal Safe Drinking Water Act

- ADA  for lever handle

WARRANTY

- Lifetime limited warranty against leaks, drips and finish defects to the original consumer purchaser
- 5 year warranty if used in commercial installations



CHATEAU®

Single-Handle Lavatory Faucet

with Metal Waste Assembly

Model: L4625 series

L4631BC

Bulk Packed (12 per carton):

L64624 series

with 50/50 Waste Assembly

Bulk Packed (12 per carton):

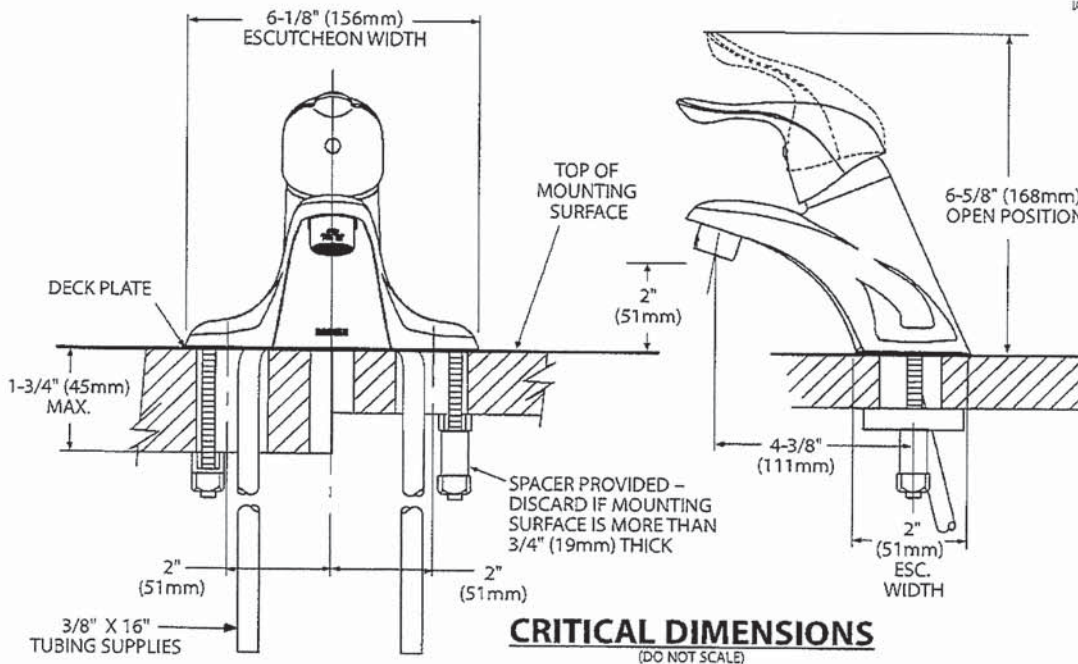
L64625 series

Less Waste

Bulk Packed (12 per carton):

L64600 series

NOTE: THIS FAUCET IS DESIGNED TO BE INSTALLED THRU 3-1" DIA. HOLES, 2" ON CENTER





Buy it for looks. Buy it for life.®

There is more than 1 version of this model.
Page down to identify the version you have.

DESCRIPTION

- Metal construction with various finishes identified by suffix
- Includes non-metallic showerhead, arm, flange and non-metallic diverter tub spout

OPERATION

- Handle operates counterclockwise through a 270° arc with off at 6 o'clock and maximum hot at the 9 o'clock position. Shut off in clockwise direction
- Adjustable temperature limit stop to control maximum hot water temperature
- Pressure balancing mechanism maintains selected discharge temperature to ± 3°

FLOW

- Showerhead is limited to 2.5 gpm (9.5 L/min) at 80 psi
- EP suffix models are limited to 1.75 gpm (6.6 L/min) at 80 psi
- NH suffix models contain no showerhead

CARTRIDGE

- 1222 cartridge design
- Accommodates back to back installations
- Nonmetallic/nonferrous and stainless steel material

STANDARDS

- Third party certified to meet ASME A112.18.1/CSA B125.1 and all applicable requirements referenced therein
- EP suffix models are third party certified to WaterSense®

- ADA for lever handle

WARRANTY

- Lifetime limited warranty against leaks, drips and finish defects to the original consumer purchaser
- 5 year warranty if used in commercial installations

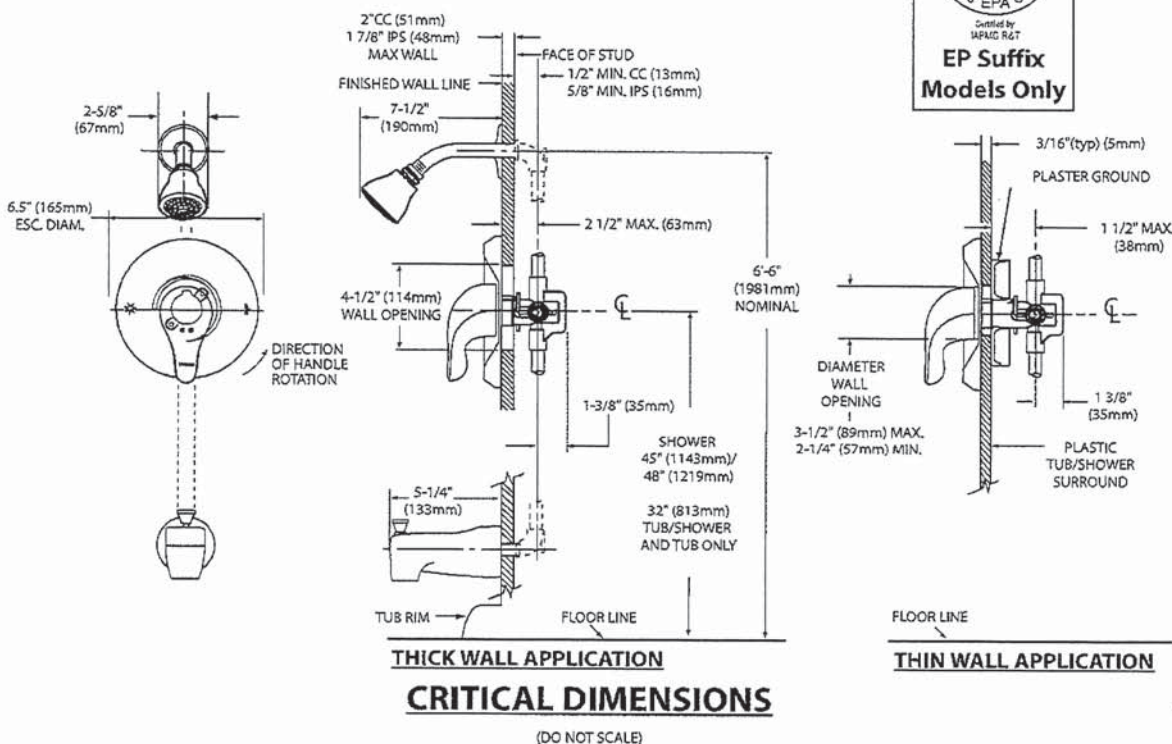
Specifications



CHATEAU® POSI-TEMP® Single-Handle Tub/Shower Trim Kit

- Models:** TL181 series - valve trim only
(Bulk Packed 12 per carton)
TL182 series - shower trim only
(Bulk Packed 12 per carton)
TL183 series - tub/shower trim
(Bulk Packed 12 per carton)

- Valves:** 62300 series
2500 series



MOEN®

Specifications

DESCRIPTION


- Metal construction with various finishes identified by suffix

OPERATION

- Lever style handles with hot and cold color indicator
- Rotate hot side handle counterclockwise to open (clockwise to close) and the cold side handle (clockwise to open) and (counterclockwise to close)

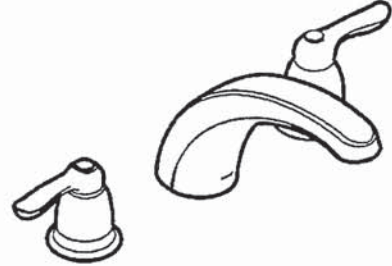
STANDARDS

- Third party certified to: ASME A112.18.1/CSA B-125.1, and all applicable requirements referenced therein

- ADA  for lever handles

WARRANTY

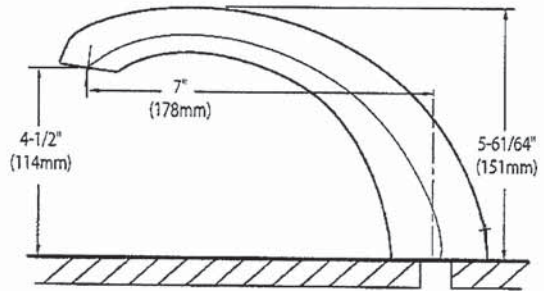
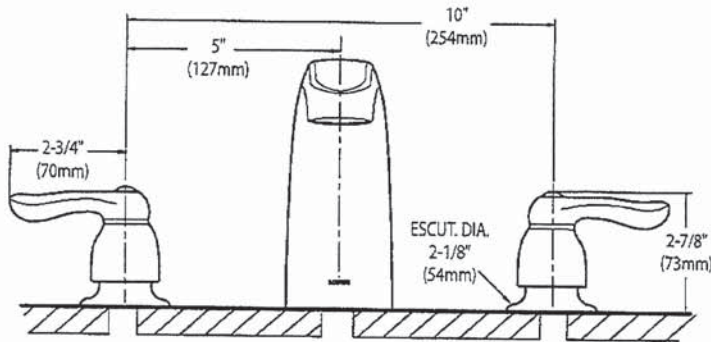
- Lifetime limited warranty against leaks, drips and finish defects to the original homeowner
 - 10 year limited warranty when used in a multi-family installation
 - 5 year limited warranty when used in a commercial installation
- Visit www.moen.com/support for complete details and limitations



CHATEAU®
Two-Handle Garden Tub Trim

Models: T994 series

Valves: 4792, 4793, 4794, 4796, 4797, 4798



CRITICAL DIMENSIONS

(DO NOT SCALE)

SC(B)514 | ALITO Collection



Wall Mount

The SC(B)514 makes a statement of strength and power with a bold frame and 550 CFM fan. Features mesh or baffle filters, two bright LED lights and a three-speed panel for total control. It is also fitted with a time-delay OFF feature up to nine minutes.

Green Features



3 Speed Push Button Control Panel



Long-Lasting LED Lights



Time-Delay OFF Feature



Grease Cup



Model	Colour	Ducting	Filters	Size	CFM
SCB51430	Stainless Steel	6"	Baffle	30"	550
SCB51436	Stainless Steel	6"	Baffle	36"	550

Cyclone Range Hoods Inc.

1361 Huntingwood Drive, Unit 16. Toronto, ON. M1S 3J1. Canada.

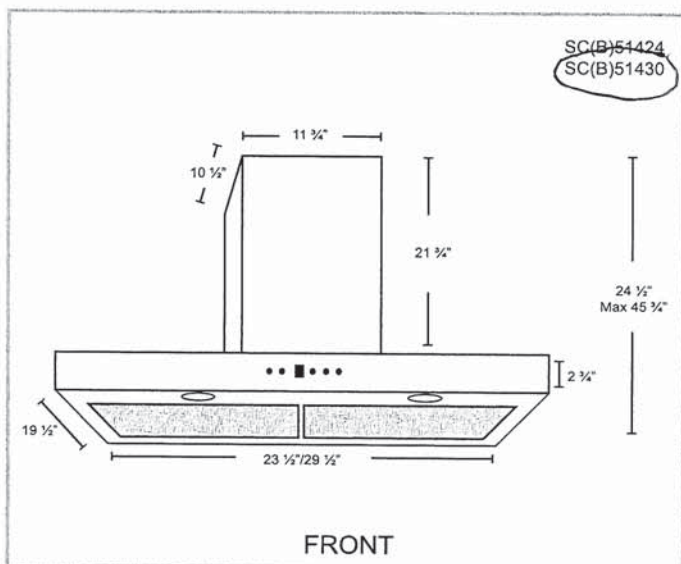
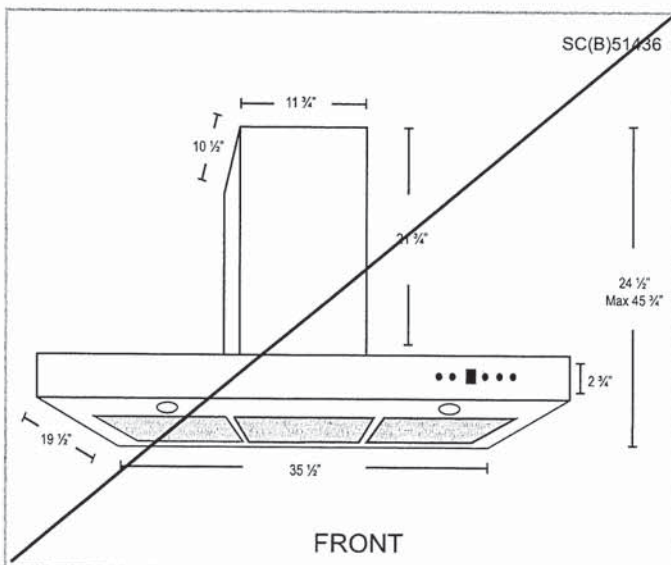
Toll Free: 1-888-293-5662 Tel: (416) 293-0933 Fax: (416) 293-4793 Website: www.CycloneRangeHoods.com

SC(B)514 | ALITO Collection



Features

- Wall mount range hood
- 6" round duct adapter
- Non-stick aluminum fan blades
- 3 speed push button control
- 2 LED lights (2 x 1.4W, 4000K)
- Quick release aluminum mesh filters
- Standard chimney fits up to 9 ft. ceiling
- Up to 9 minutes time-delay OFF feature
- Plug-in connection



Options

- Filters:
 - SCB514 - Quick Release Stainless Steel Baffle Filters
- Chimney Flues:
 - B2.CH16 - short (7'-8' ceilings)
 - B2.CH22 - standard (8'-9' ceilings)
 - B2.CH32 - extended (9'-11' ceilings)
- Widths: 30", 36"

Specifications

- | | | |
|--|--|--|
| <ul style="list-style-type: none"> • Air Flow Volume: 550 CFM • Electrical Connection: 120 V/60 Hz • Power Consumption: 300 Watts | <ul style="list-style-type: none"> • Current: 2.5 Amps • Fan Speed: 1599 RPM • Fan Type: Centrifugal Blower | <ul style="list-style-type: none"> • Finishes: Stainless Steel • Ducting: 6" Round • Noise Level: Min. 2 Sones
Max. 6 Sones |
|--|--|--|



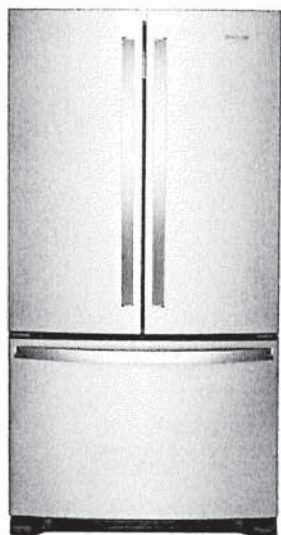
Project: Country Lane
 Unit: 35, Phase: 1
 Model: 39-3356 A The Sprucehill

PURCHASER WILL BE DOING CHANGES TO KITCHEN LAYOUT AFTER CLOSING
 * DO NOT SUPPLY OR INSTALL *
 PURCHASER HAS UPGRADED TO JENNAIR FRIDGE TO BE DELIVERED AFTER CLOSING



20 cu. ft. French Door Refrigerator

WRF540CWH



Fingerprint-Resistant Stainless
 WRF540CWHZ

Also available in:

- White **WRF540CWHW**
- Black **WRF540CWHB**
- Fingerprint-Resistant Black Stainless **WRF540CWHV**

Capacity

Total Capacity	20 cu. ft.
Refrigerator Capacity	14 cu. ft.
Freezer Capacity	6 cu. ft.

General Features & Properties

- Interior Water Dispenser with EveryDrop® Water Filtration
- Full-Width, Temperature-Controlled Drawer
- Frameless Glass Shelves
- Gallon Door Bins
- Accu-Chill™ Temperature Management System
- Adaptive Defrost
- FreshFlow™ Produce Preserver
- LED Interior Lighting
- Designed, Engineered and Assembled in the U.S.A.

Electrical Details

Amps	20
Volts	115

Certifications

ENERGY STAR® Certified Yes

Technical Details

Refrigerator Type	French Door
Number of Doors	3
Number of Interior Refrigerator Shelves	5
Number of Refrigerator Door Bins	2 Fixed, 4 Adjustable
Number of Interior Freezer Shelves	1 Wire, 1 Plastic
Lighting Type	LED
Ice Maker	Factory Installed
Ice Maker Location	Freezer
Dispenser Type	Interior Water

Dimensions

Product Dimensions (H x W x D)	70-1/8" x 35-5/8" x 29 3/8"
Depth with Door Open 90°	43"
Cutout Dimensions	Allow extra 1/2" on sides and top Allow extra 1" on rear

Reference Material

- [Dimension Guide](#)
- [Use & Care Guide](#)
- [Energy Guide](#)
- [Warranty](#)

Key Features & Benefits

Fingerprint Resistant

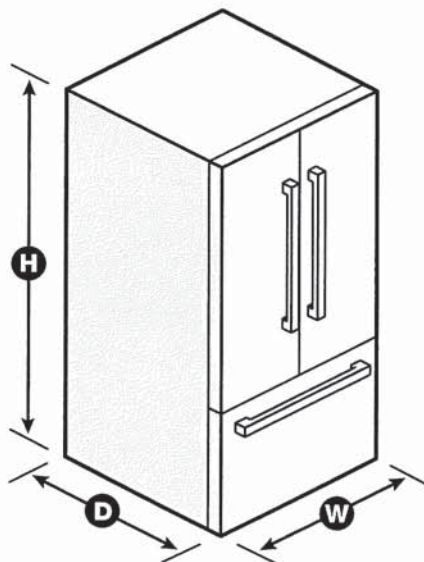
Resists fingerprints and smudges with an easy-to-clean finish.

Counter Depth Design

Add additional kitchen space with styling that fits virtually flush with the countertop.

Humidity-Controlled Crispers

Store fruits and veggies in their ideal environment.



NOTE: Dimensions are for planning purposes only. For complete details, see Installation Instructions packed with product. Specifications subject to change without notice.

©/™ © 2020. All rights reserved. Printed in the U.S.A. D200052XXC. WRF540CWH SPECSHEETV01.

Project: Country Lane
 Unit: 35, Phase: 1
 Model: 39-3356 A The Sprucehill

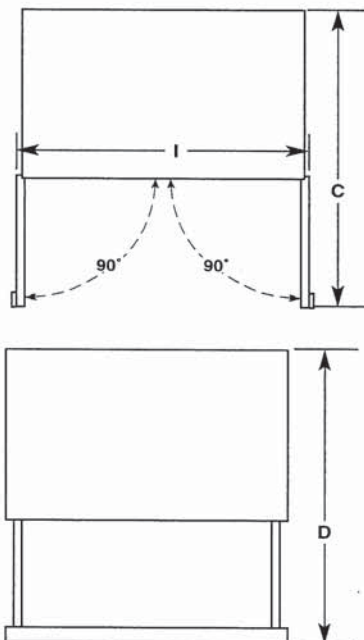
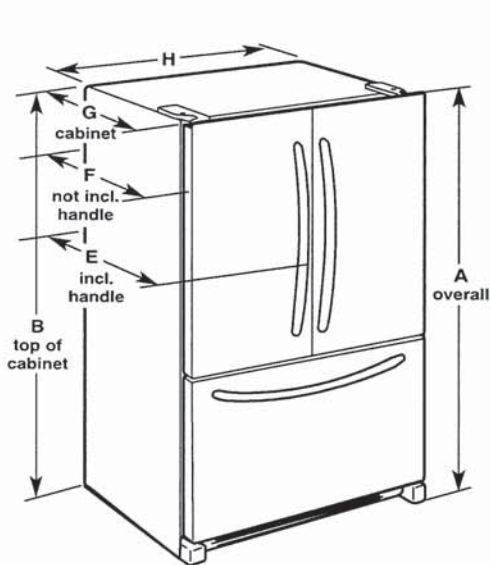
DO NOT SUPPLY OR INSTALL
 FOR KITCHEN DIMENSION PURPOSES ONLY



French Door Bottom Mount Refrigerator

WRF532SMH, WRF540CWH, WRF535SMH

PRODUCT DIMENSIONS



Model Number	WRF532SMH	WRF535SMH	WRF540CWH
Model Size	22.1 cu. ft.	25.2 cu. ft.	20.0 cu. ft.
Height - Overall "A"	70 ¹ / ₈ " (178.1 cm)	70 ¹ / ₈ " (178.1 cm)	70 ¹ / ₈ " (178.1 cm)
Height - Top of Cabinet "B"	68 ⁷ / ₈ " (174.9 cm)	68 ⁷ / ₈ " (174.9 cm)	68 ⁷ / ₈ " (174.9 cm)
Depth - Doors Open 90° "C"	47 ¹ / ₈ " (119.7 cm)	48 ¹ / ₈ " (122.2 cm)	43" (109.2 cm)
Depth - Drawer Open "D"	52 ¹ / ₈ " (132.4 cm)	52 ¹ / ₈ " (132.4 cm)	45 ³ / ₈ " (115.3 cm)
Depth - With Handles "E"	34 ¹ / ₂ " (87.4 cm)	35 ¹ / ₂ " (89.9 cm)	30 ¹ / ₂ " (77.5 cm)
Depth - Without Handles "F"	32" (81.3 cm)	33" (83.8 cm)	26 ⁷ / ₈ " (68.3 cm)
Depth - Cabinet Only "G"	28 ¹ / ₈ " (71.3 cm)	29 ¹ / ₈ " (73.9 cm)	24 ¹ / ₈ " (61.2 cm)
Width - Cabinet "H"	32 ⁵ / ₈ " (82.9 cm)	35 ⁵ / ₈ " (90.5 cm)	35 ⁵ / ₈ " (90.5 cm)
Width - Door Open 90° "I"	40 ³ / ₈ " (102.6 cm)	43 ³ / ₈ " (110.2 cm)	43 ³ / ₈ " (110.2 cm)

⚠ WARNING

Electrical Shock Hazard

- Plug into a grounded 3 prong outlet.
- Do not remove ground prong.
- Do not use an adapter.
- Do not use an extension cord.

Failure to follow these instructions can result in death, fire, or electrical shock.

Electrical: A 115 V, 60 Hz, AC only 15 A or 20 A fused, grounded electrical supply is required. It is recommended that a separate circuit serving only your refrigerator be provided. Use an outlet that cannot be turned off by a switch. Do not use an extension cord.

NOTE: Before performing any type of installation, cleaning, or removing a light bulb, turn the control (Thermostat, Refrigerator or Freezer Control depending on the model) to OFF and then disconnect the refrigerator from the electrical source. When you are finished, reconnect the refrigerator to the electrical source and reset the control (Thermostat, Refrigerator or Freezer Control depending on the model) to the desired setting. See "Using the Controls."

Water: A cold water supply with water pressure between 35 psi and 120 psi (241 kPa and 827 kPa) is required to operate the water dispenser and ice maker. If you have questions about your water pressure, call a licensed, qualified plumber.

IMPORTANT: The pressure of the water coming out of a reverse osmosis system going to the water inlet valve of the refrigerator needs to be between 35 psi and 120 psi (241 kPa and 827 kPa).

Reverse Osmosis Water Supply:

If a reverse osmosis water filtration system is connected to your cold water supply, the water pressure to the reverse osmosis system needs to be a minimum of 40 psi to 60 psi (276 kPa to 414 kPa).

DO NOT SUPPLY OR INSTALL



French Door Bottom Mount Refrigerator PURCHASER

HAS UPGRADED TO JENNIFER FRIDGE

TO BE INSTALLED AFTER CLOSING

LOCATION REQUIREMENTS

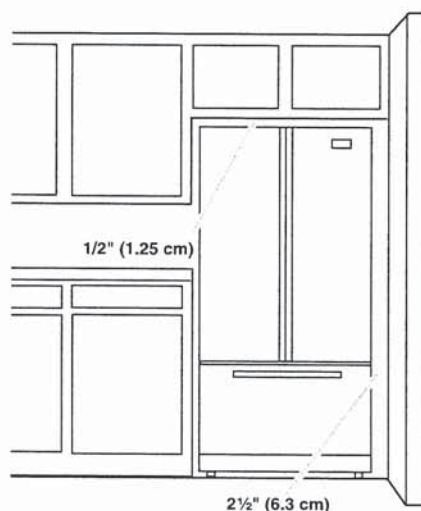
⚠ WARNING



Explosion Hazard

Keep flammable materials and vapors, such as gasoline, away from refrigerator.

Failure to do so can result in death, explosion, or fire.



IMPORTANT: This refrigerator is designed only for indoor, household use only.

To ensure proper ventilation for your refrigerator, allow for a 1/2" (1.25 cm) space on each side and at the top. Allow for 1" (2.54 cm) of space behind the refrigerator. If your refrigerator has an ice maker, make sure you leave some extra space at the back for the water line connections.

If you are installing your refrigerator next to a fixed wall, leave 2 1/2" (6.3 cm) minimum on the hinge side (some models require more) to allow for the door to swing open.

NOTE: This refrigerator is intended for use in a location where the temperature ranges from a minimum of 55°F (13°C) to a maximum of 110°F (43°C). The preferred room temperature range for optimum performance, which reduces electricity usage and provides superior cooling, is between 60°F (15°C) and 90°F (32°C). It is recommended that you do not install the refrigerator near a heat source, such as an oven or radiator.

Project: Country Lane
Unit: 35, Phase: 1
Model: 39-3356 A The Sprucehill

45 of 48

DO NOT SUPPLY OR INSTALL - FOR SIZE ONLY
PURCHASER HAS UPGRADED THROUGH
APPLIANCE CANADA
FOR BUILT-IN GAS COOKTOP TO BE INSTALLED AFTER CLOSING
WHEN KITCHEN RENOV
COMPLETED

DIMENSION GUIDE

WARNING: To reduce the risk of fire, electric shock, or injury to persons, read the IMPORTANT SAFETY INSTRUCTIONS, located in your appliance's Owner's Manual, before operating this appliance.

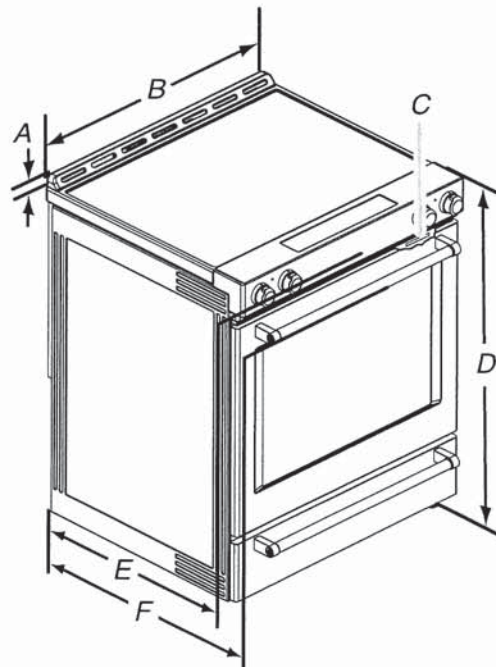
This manual covers several models. Your model may have some or all of the items listed. Refer to this manual or the Frequently Asked Questions section of our website at www.whirlpool.com for more detailed instructions. In Canada, reference the Customer Service section at www.whirlpool.ca.

PRODUCT MODEL NUMBERS

WEE745H0L, YWEE745H0L

PRODUCT DIMENSIONS

This manual covers several models. Your model may appear different from the models depicted. Dimensions given are maximum dimensions across all models.



- A. $1\frac{3}{16}$ " (3.0 cm) height from cooktop to top of vent
- B. $29\frac{7}{16}$ " (75.9 cm)
- C. Model/serial/rating plate (located behind the oven door on the top right-hand side of the oven frame)
- D. 36" (91.4 cm) height to top of cooktop edge with leveling legs screwed all the way in*
- E. $28\frac{5}{16}$ " (71.9 cm) maximum depth from front of console to back of range
- F. $28\frac{7}{16}$ " (73.3 cm) maximum depth from handle to back of range

IMPORTANT: Range must be level after installation. Follow the instructions in the "Level Range" section of your Owner's Manual. Using the cooktop as a reference for leveling the range is not recommended.

*Range can be raised approximately 1" (2.5 cm) by adjusting the leveling legs.

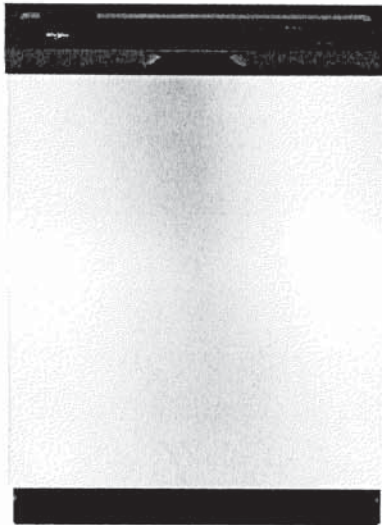
Project: Country Lane
 Unit: 35, Phase: 1
 Model: 39-3356 A The Sprucehill

DO NOT SUPPLY OR INSTALL - FOR SIZE ONLY
 PURCHASER HAS UPGRADED TO JENNAIR TO BE
 INSTALLED AFTER CLOSING WHEN KITCHEN RENOV IS
 DONE



55 dBA* Front Control Dishwasher

WDF330PAH



Stainless Steel
WDF330PAHS

Also available in:

- White **WDF330PAHW**
- Black **WDF330PAHB**

Capacity

Total Place Settings 13

General Features & Properties

- Heavy Cycle
- High Temperature Wash Option
- Heated Dry Option
- ENERGY STAR® Certified
- Industry's Best Selling Dishwasher Brand†
- Designed, Engineered and Assembled in the U.S.A. with American Pride

Electrical Details

Amps 10
 Volts 120
 Hz 60

Certifications

ENERGY STAR® Certified Yes

Technical Details

Dishwasher Type	Built-in
Control Location	Front
Control Type	Push Button
Number of Wash Cycles	3
Number of Options	4
dBA*	55
Number of Racks	2
Tub Material	Plastic
Wash System	Filter
Wash System Type	Removable Filter
Number of Wash Arms	2

Dimensions

Product Dimensions (H x W x D)	34-1/2" x 23-7/8" x 24-1/2"
Depth with Door Open 90°	49-1/2"

Reference Material

- [Dimension Guide](#)
- [Install Guide](#)
- [Use & Care Guide](#)
- [Energy Guide](#)
- [Warranty](#)

Key Features & Benefits

1-Hour Wash Cycle

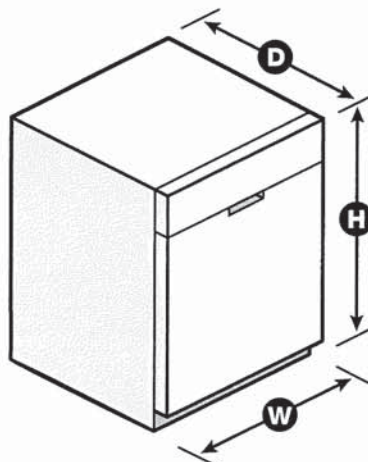
Clean dishes in half the time so your plates, pans and glasses are thoroughly cleaned up and taken care of in just an hour.**

Soil Sensor

Determines how dirty dishes are and adjusts the Normal cycle as needed to make sure dishes come out clean.

Normal Cycle

Use for normal amounts of food soil to clean up leftover messes from your day-to-day meals.



*Per IEC standards. **Compared to Normal cycle with lightly soiled loads. †Based on 12-month average of sales. TraQline 2018. NOTE: Dimensions are for planning purposes only. For complete details, see Installation Instructions packed with product. Specifications subject to change without notice. ©/™ © 2020. All rights reserved. Printed in the U.S.A. D200052XXA. WDF330PAHSPECSHEETV01.



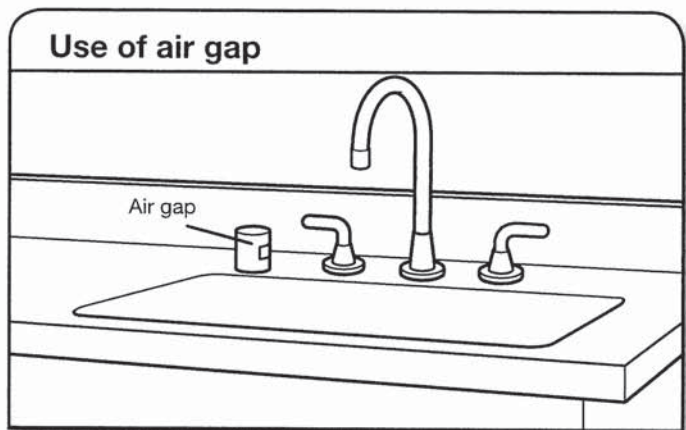
Undercounter Dishwasher

PRODUCT MODEL NUMBERS

WDF110PAB	WDF320PAD	WDT710PAH
WDF111PAB	WDF330PAH	WDT720PAD
WDF120PAF	WDF331PAH	WDT730PAH
WDF121PAF	WDF520PAD	WDT735PAG
WDF130PAH	WDF540PAD	WDT735PAH
WDF131PAH	WDF545PAF	

DRAIN REQUIREMENTS

- A new drain hose is supplied with your dishwasher. If drain hose is not long enough, use a new drain hose with a maximum length of 12 ft (3.7 m) that meets all current AHAM/IAPMO test standards, is resistant to heat and detergent, and fits the 1" (25 mm) drain connector of the dishwasher. See the "Tools and Parts" section at the front of the guide for part details and orders.
- Make sure to connect drain hose to waste tee or disposer inlet above drain trap in house plumbing and 20" (508 mm) minimum above the floor. It is recommended that the drain hose either be looped up and securely fastened to the underside of the counter or be connected to an air gap.
- Make sure to use an air gap if the drain hose is connected to house plumbing lower than 20" (508 mm) above subfloor or floor.



- If required, the air gap should be installed in accordance with the air gap installation instructions. When you are connecting the air gap, a rubber hose (not provided) will be needed to connect to the waste tee or disposer inlet.
- Use 1/2" minimum I.D. drain line fittings.

WATER SUPPLY REQUIREMENTS

- This dishwasher has a water heating feature and also requires a connection to a hot water supply line.
- A hot water line with 20 to 120 psi (138 to 862 kPa) water pressure can be verified by a licensed plumber.
- 120°F (49°C) water at dishwasher
- 3/8" O.D. copper tubing with compression fitting or flexible braided water supply line. See the "Tools and Parts" section at the front of the guide for part details and orders.

NOTE: 1/2" minimum plastic tubing is not recommended.

- A 90° elbow with 3/4" hose connection with rubber washer. See the "Tools and Parts" section at the front of the guide for part details and orders.
- Do not solder within 6" (152 mm) of the water inlet valve.
- If installed in new construction, make sure the house water supply lines have been flushed prior to connecting the dishwasher to remove any debris that may exist in the supply line.

NOTE: If replacing an existing dishwasher, it is recommended to install a new water line (see the "Tools and Parts" section at the front of the guide for part details) and drain hose (supplied) with the new dishwasher.

ELECTRICAL REQUIREMENTS

You Must Have:

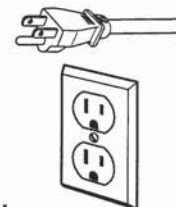
- 120-volt, 60 Hz, AC-only, 15- or 20-amp, fused electrical supply
- Copper wire only
- A maximum of 2 field wiring supply conductors (12 AWG largest size) plus 1 grounding conductor are permitted in the terminal box.

We Recommend:

- A time-delay fuse or circuit breaker
- A separate circuit

If Connecting Dishwasher with a Power Cord:

- Use a UL Listed power cord kit marked for use with dishwasher. See the "Tools and Parts" section at the front of the guide for part details and orders.
- Plug into a grounded 3 prong outlet. Outlet must meet all local codes and ordinances.

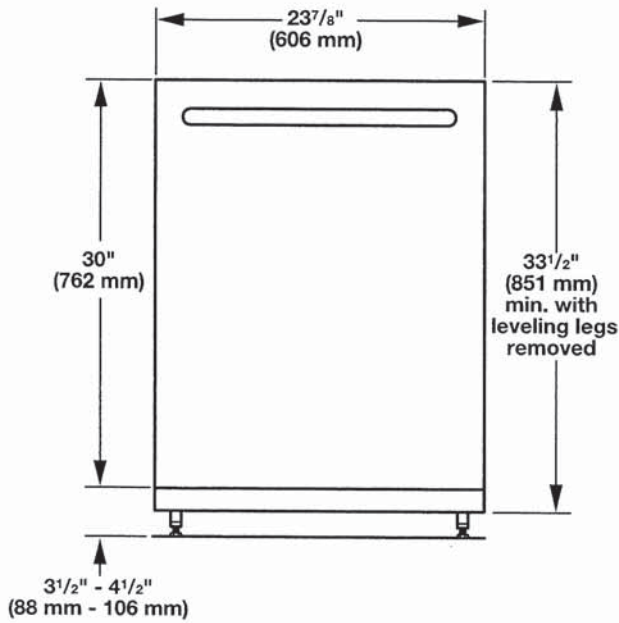


If Connecting Dishwasher with Direct Wiring:

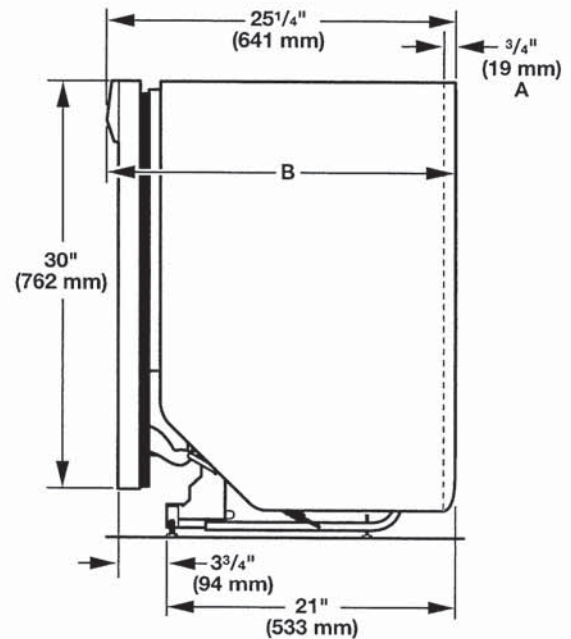
- Use flexible, armored, or nonmetallic sheathed copper wire with grounding wire that meets the wiring requirements for your home and local codes and ordinances.
- Use a UL Listed/CSA Approved metallic strain relief.



PRODUCT AND CABINET OPENING DIMENSIONS

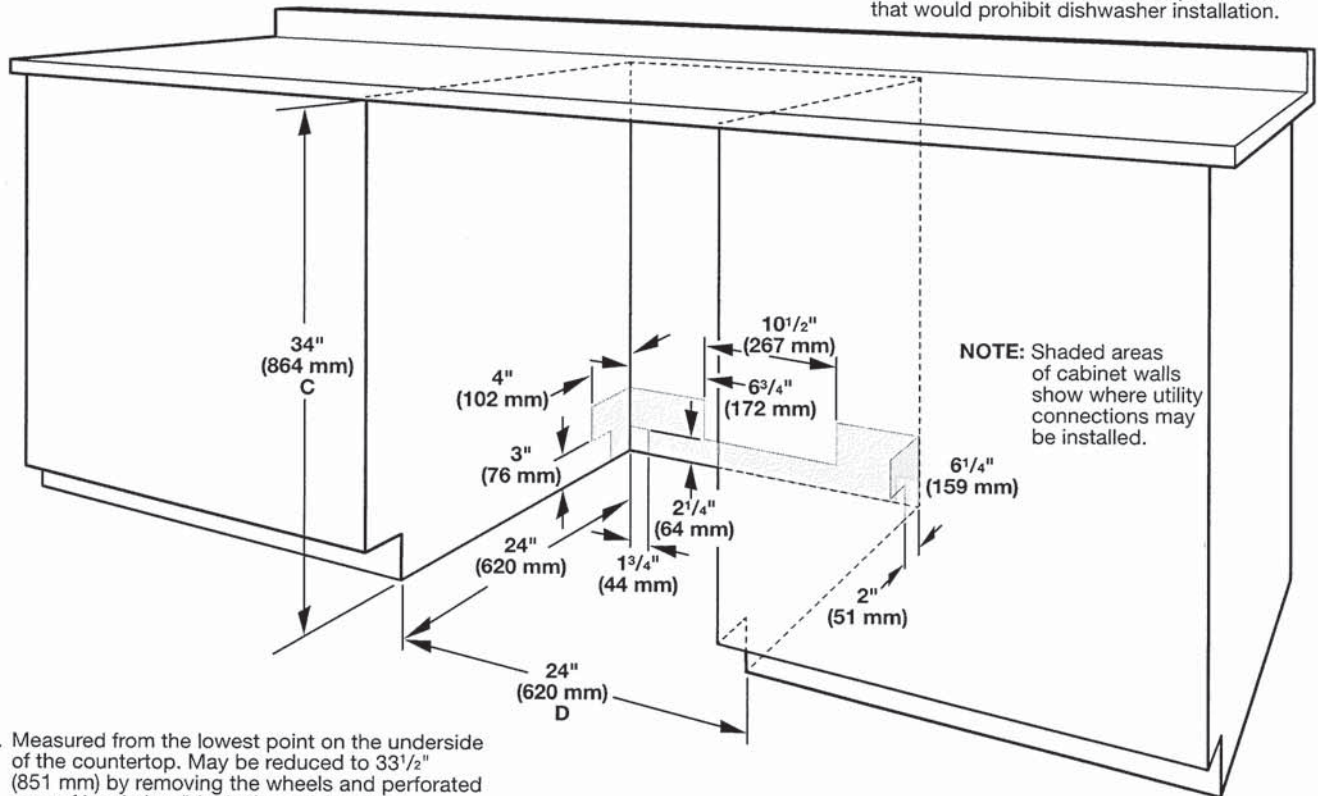


For 4" (100 mm) toe kick, height of cabinet opening is 34 1/2" (863 mm).



- A. Insulation may be compressed (not used on all models).
- B. Door handles may protrude forward of the face of the dishwasher, (varies by model).

Check that all surfaces have no protrusions that would prohibit dishwasher installation.



NOTE: Shaded areas of cabinet walls show where utility connections may be installed.

- C. Measured from the lowest point on the underside of the countertop. May be reduced to 33 1/2" (851 mm) by removing the wheels and perforated area of insulation (blanket) on dishwasher.
- D. Minimum, measured from narrowest point of opening.