

Sales Selection Sheet
Checklist

1 of 44

LOT 379 Model: 28-2797 C THE WESTWOOD

PURCHASERS: KALPANA, NARESH BHAVSAR/

VENDOR: Heathwood Homes (Huron) Limited

COFFERED CEILING IN GREAT ROOM

- WOB
- DECK
- FINISHED BASEMENT
- COLD CELLAR

UPGRADED / MODIFIED ELEVATION

- CORNER UPGRADE
- REAR UPGRADE
- SIDE UPGRADE

CEILING UPGRADE - SMOOTH

- MAIN FLOOR
- SECOND FLOOR
- BASEMENT

ADDITIONAL ROUGH-INS

- 200 AMP SERVICE (STD IN SINGLES)
- WET BAR ROUGH-IN
- HUMIDIFIER
- AIR CONDITIONING (SITE STD)

GAS ROUGH-IN

- STOVE
- DRYER
- BBQ
- ADDITIONAL FIREPLACE

KITCHEN: HOODFAN VENTING SIZE

- 6 IN ROUND DUCT
- 7 IN ROUND DUCT

FULL BASEMENT STAIRS:	Carpet Grade
UPPER BASEMENT STAIRS:	N/A
LOWER LEVEL STAIRS:	N/A
MAIN STAIRS:	All Oak
MEDIA STAIRS (if applicable):	N/A
LOFT STAIRS (if applicable):	N/A

May 12/23
Date Purchaser: *Signature on file*

May 12/23
Date Decor Consultant: *Brenda Luker*

Date Purchaser:

~~05-12-2023~~
Date Approved: *Signature*
Heathwood Homes (Huron) Limited

Locked Date:

Customer Colours

KALPANA, NARESH BHAVSAR/
 Project: Wallaceton
 Unit: 379, Phase: 3
 Model: 28-2797 C THE WESTWOOD

Created: 11/9/2022 12:46:06

Locked:

Closed:

Kitchen

Cabinet Colour/Style	6825	Classic Plus-BOSTON-WINTER WHITE-PAINT MDF ***UPG***
Island Cabinet Colour/Style	9186	Classic Plus-BOSTON-NAVY BLUE-PAINT MDF ***UPG***
Cabinet Hardware	7667	12881-HARDWARE ***STD***
Countertop	9069	MSI Quartz GROUP 1 ICED WHITE ***STD***
Island Countertop	9069	MSI Quartz GROUP 1 ICED WHITE ***STD***
Countertop Edge	4010	SINGLE POLISHED STRAIGHT EDGE 3/4 INCH ***STD***



- Please note some islands may require a seam as per manufacturer and fabricator discretions.

Sink	9493	BLANCO QUATRUS U 1 SUPER SINGLE 401248 (min cabinet 36 in)	PG 25
HoodFan	34	AV1308 Air King 30 STAINLESS STEEL UNDER CABINET RANGE HOOD **STD**	PG 37
Backsplash	1111	N/A *****	
Backsplash Grout	1111	N/A *****	
Backsplash Tile Pattern	1111	N/A *****	

- Purchasers have been advised: standard fridge opening is a minimum 37 3/8 x 73 3/8 inches. Ice Waterline Rough-In is included.

- Standard stove opening is 30 inches and standard dishwasher opening is 24 inches. Any gas stove will require backsplash or stainless steel backing to avoid fire hazards.

- Purchasers acknowledge: Heathwood Homes and its contractors will not be responsible for any kitchen cabinet changes due to appliances dimension changes after sign-off.

Kitchen / Breakfast

Flooring	9556	Red Oak UVF-Vintage Solid Sawn Sculpted Character-TITANIUM-3/4 in x 5 in ***UPG***
Floor Tile Grout	1111	N/A *****
Floor Tile Pattern	1111	N/A *****

Comment

Servery

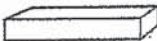
Cabinet Colour/Style - Base	6825	Classic Plus-BOSTON-WINTER WHITE-PAINT MDF ***UPG***
Opt. Cabinet Colour/Style - Uppers	6825	Classic Plus-BOSTON-WINTER WHITE-PAINT MDF ***UPG***
Cabinet Hardware	7667	12881-HARDWARE ***STD***

DS
KMB

Customer Colours

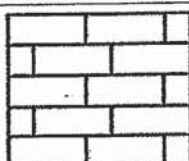
KALPANA, NARESH BHAVSAR/
 Project: Wallaceton
 Unit: 379, Phase: 3
 Model: 28-2797 C THE WESTWOOD

Created: 11/9/2022 12:46:06
 Locked:
 Closed:

Cabinet Hardware	1007	12007-HARDWARE STD
Countertop	9069	MSI Quartz GROUP 1 ICED WHITE ***STD***
Island Countertop	1111	N/A *****
Countertop Edge	4010	SINGLE POLISHED STRAIGHT EDGE 3/4 INCH ***STD*** 
Opt. Servery Sink	1111	N/A *****
Opt. Backsplash	1111	N/A *****
Opt. Backsplash Grout	1111	N/A *****
Opt. Backsplash Tile Pattern	1111	N/A *****
Flooring	9556	Red Oak UVF-Vintage Solid Sawn Sculpted Character-TITANIUM-3/4 in x 5 in ***UPG***
Floor Tile Grout	1111	N/A *****
Floor Tile Pattern	1111	N/A *****

Comment

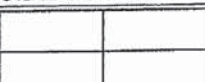
Foyer

Flooring	9057	OV.ET.IGY.1224.PL-Eterna-Imperial Grey Polished-12 x 24 See Tile Direction on Sketch Page ***5***
Floor Tile Grout	2225	Grout-(27) Silver ***STD***
Floor Tile Pattern	3030	SIDE TO SIDE OFF SET 1/3 X 2/3 BRICK PATTERN ***UP*** 

S 2

Comment

Powder Room

Flooring	9057	OV.ET.IGY.1224.PL-Eterna-Imperial Grey Polished-12 x 24 See Tile Direction on Sketch Page ***5***
Floor Tile Grout	2225	Grout-(27) Silver ***STD***
Floor Tile Pattern	3050	SIDE TO SIDE ***STD*** 

S 2

DS
KMB

Customer Colours

KALPANA, NARESH BHAVSAR/
Project: Wallaceton
Unit: 379, Phase: 3
Model: 28-2797 C THE WESTWOOD

Created: 11/9/2022 12:46:06
Locked:
Closed:



Plumbing Fixture (Colour) Plumbing Fixtures-WHITE ***STD***

Comment

Mud Room / Closet

Flooring TH.CT.WHT.1212.MT-Construct-White Matte-12 x 12 STD ***STD***

Floor Tile Grout Grout-(27) Silver ***STD***

Floor Tile Pattern STANDARD SQUARE ***STD***

Comment

Main Hall

Flooring Red Oak UVF-Vintage Solid Sawn Sculpted Character-TITANIUM-3/4 in x 5 in ***UPG***

Comment

Dining Room

Flooring Red Oak UVF-Vintage Solid Sawn Sculpted Character-TITANIUM-3/4 in x 5 in ***UPG***

Comment

Great Room

Flooring Red Oak UVF-Vintage Solid Sawn Sculpted Character-TITANIUM-3/4 in x 5 in ***UPG***

Comment

Great Room Fireplace

Type Majestic MERC32 ***STD***

Mantle NF-17-Paint Grade Mantle- Cabinet (Per Plan)-WHITE ***STD***

Surround (Opt.) N/A *****

PG 24

- Purchasers have been advised: heat from the FP can damage TV above a FP and items placed on mantle.

- Heathwood and its contractors will not be liable for any damage on items placed/@installed above a FP after closing.

Comment

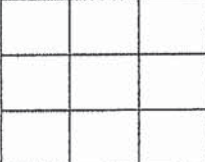
DS
KMB

Customer Colours

KALPANA, NARESH BHAVSAR/
Project: Wallaceton
Unit: 379, Phase: 3
Model: 28-2797-C THE WESTWOOD

Created: 11/9/2022 12:46:06
Locked:
Closed:

Laundry Room

Flooring	9439	TH.CT.LGR.1212.MT-Construct-Light Grey Matte-12 x 12 STD ***STD***
Floor Tile Grout	2225	Grout-(27) Silver ***STD***
Floor Tile Pattern	3000	STANDARD SQUARE ***STD***
		
Opt. Cabinet Colour/Style - Uppers	1111	N/A *****
Opt. Cabinet Hardware - Uppers	1111	N/A *****
Opt. Countertop	1111	N/A *****
Opt. Countertop Edge	1111	N/A *****

Comment

Upper Hall

Flooring	9556	Red Oak UVF-Vintage Solid Sawn Sculpted Character-TITANIUM-3/4 in x 5 in ***UPG***
----------	------	--

Comment

Master Bedroom / Walk-in Closet

Flooring	9504	87354-MINOTAUR-OVERCAST-40 oz Poly ***STD***
----------	------	--

Comment

Bedroom 2

Flooring	9504	87354-MINOTAUR-OVERCAST-40 oz Poly ***STD***
----------	------	--

Comment

Bedroom 3

Flooring	9504	87354-MINOTAUR-OVERCAST-40 oz Poly ***STD***
----------	------	--

Comment

Bedroom 4 / Walk-in Closet

DS
KMB

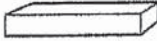
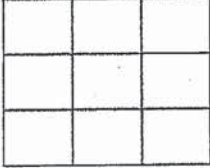
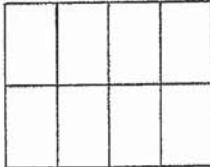
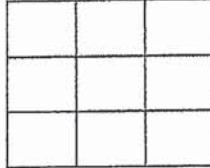
Customer Colours

KALPANA, NARESH BHAVSAR/
 Project: Wallaceton
 Unit: 379, Phase: 3
 Model: 28-2797 C THE WESTWOOD

Created: 11/9/2022 12:46:06
 Locked:
 Closed:

Flooring	9504	87354-MINOTAUR-OVERCAST-40 oz Poly ***STD***
Comment		

Master Ensuite

Cabinet Colour/Style	9157	Viking III-SIMCOE-MOONLIGHT-3DL ***STD***
Cabinet Hardware	7672	135-HARDWARE ***STD***
Countertop	9069	MSI Quartz GROUP 1 ICED WHITE ***STD***
Countertop Edge	4010	SINGLE POLISHED STRAIGHT EDGE 3/4 INCH ***STD***
		
Floor Tile	9106	GE.MD.WHT.1818.MT Madison Series White Matte 18 X 18 Matte ***1***
Floor Tile Grout	2225	Grout-(27) Silver ***STD***
Floor Tile Pattern	3000	STANDARD SQUARE ***STD***
		
Shower Wall Tile	9020	QT.WV.WHT.0810-Weave-White-8 x 10 ***STD***
Shower Wall Tile Grout	2226	Grout-(00) White ***STD***
Shower Wall Tile Pattern	3090	VERTICAL STACKED ***STD***
		
Shower Floor Tile	8657	OD.QU.ATR.0202.FS-Quebec Series Unglazed Mosaic-Antracite FS-1.89 x 1.89 ***2***
Shower Floor Tile Grout	2225	Grout-(27) Silver ***STD***
Shower Floor Tile Pattern	3000	STANDARD SQUARE ***STD***
		
Shower Jamb(s) and Sill(s)	8923	Shower Jamb / Sill-Thassos White ***STD***
Plumbing Fixture (colour)	1737	Plumbing Fixtures-WHITE ***STD***
Comment		

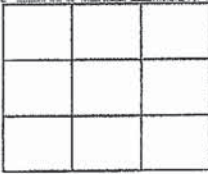
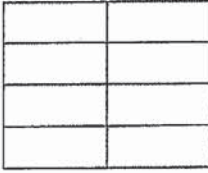
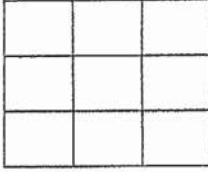
Ensuite 4

Cabinet Colour/Style	9156	Viking III-SIMCOE-RAIN CLOUD-3DL ***STD***
Cabinet Hardware	7672	135-HARDWARE ***STD***
Countertop	8796	6698-46-Countertop-PALOMA POLAR ETCHINGS FINISH-Formica ***STD***
Countertop Edge	1111	N/A *****

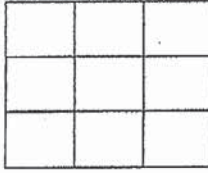
Customer Colours

KALPANA, NARESH BHAVSAR/
 Project: Wallaceton
 Unit: 379, Phase: 3
 Model: 28-2797 C THE WESTWOOD

Created: 11/9/2022 12:46:06
 Locked:
 Closed:

Countertop Edge	1111	N/A *****
Floor Tile	9437	TH.CT.WHT.1212.MT-Construct-White Matte-12 x 12 STD ***STD***
Floor Tile Grout	2225	Grout-(27) Silver ***STD***
Floor Tile Pattern	3000	STANDARD SQUARE ***STD*** 
Shower Wall Tile	5411	QT.SP.WHT.0810-Splendour-White-8 inch x 10 inch ***STD***
Shower Wall Tile Grout	2226	Grout-(00) White ***STD***
Shower Wall Tile Pattern	3070	HORIZONTAL STACKED ***STD*** 
Shower Floor Tile	8661	OD.ON.SWT.0202.MT.N-Ontario Series Mosaic-Snow White Matte-2 x 2 ***STD***
Shower Floor Tile Grout	2226	Grout-(00) White ***STD***
Shower Floor Tile Pattern	3000	STANDARD SQUARE ***STD*** 
Shower Jamb(s) and Sill(s)	8923	Shower Jamb / Sill-Thassos White ***STD***
Plumbing Fixture (colour)	1737	Plumbing Fixtures-WHITE ***STD***
Comment		

Shared Ensuite

Cabinet Colour/Style	9111	Viking III-SIMCOE ORCHID 3DL ***STD***
Cabinet Hardware	7672	135-HARDWARE ***STD***
Countertop	8801	P-344 LM-Countertop-INUKSHUK GREY-Arborite ***STD***
Countertop Edge	1111	N/A *****
Floor Tile	9439	TH.CT.LGR.1212.MT-Construct-Light Grey Matte-12 x 12 STD ***STD***
Floor Tile Grout	2225	Grout-(27) Silver ***STD***
Floor Tile Pattern	3000	STANDARD SQUARE ***STD*** 
Wall Tile	5420	QT.SP.DGR.0810-Splendour-Dark Grey-8 inch x 10 inch

Customer Colours

KALPANA, NARESH BHAVSAR/
 Project: Wallaceton
 Unit: 379, Phase: 3
 Model: 28-2797 C THE WESTWOOD

Created: 11/9/2022 12:46:06
 Locked:
 Closed:

		STD
Wall Tile Grout	2226	Grout-(00) White ***STD***
Wall Tile Pattern	3070	HORIZONTAL STACKED ***STD***
Opt. Shower Floor Tile	1111	N/A *****
Opt. Shower Floor Tile Grout	1111	N/A *****
Opt. Shower Floor Tile Pattern	1111	N/A *****
Opt. Shower Jamb(s) and Sill(s)	1111	N/A *****
Plumbing Fixture (colour)	1737	Plumbing Fixtures-WHITE ***STD***
Comment		

Lower Level Recreation Room (Opt. Finis

Flooring	9504	87354-MINOTAUR-OVERCAST-40 oz Poly ***STD***
Comment		

Lower Level Bathroom (Opt. Finished Bas

Cabinet Colour/Style	9156	Viking III-SIMCOE-RAIN CLOUD-3DL ***STD***
Cabinet Hardware	7672	135-HARDWARE ***STD***
Countertop	8796	6698-46-Countertop-PALOMA POLAR ETCHINGS FINISH-Formica ***STD***
Countertop Edge	1111	N/A *****
Floor Tile	9437	TH.CT.WHT.1212.MT-Construct-White Matte-12 x 12 STD ***STD***
Floor Tile Grout	2225	Grout-(27) Silver ***STD***
Floor Tile Pattern	3000	STANDARD SQUARE ***STD***
Shower Wall Tile	9020	QT.WV.WHT.0810-Weave-White-8 x 10 ***STD***
Shower Wall Tile Grout	2226	Grout-(00) White ***STD***
Shower Wall Tile Pattern	3090	VERTICAL STACKED ***STD***

Customer Colours

KALPANA, NARESH BHAVSAR/
 Project: Wallaceton
 Unit: 379, Phase: 3
 Model: 28-2797 C THE WESTWOOD

Created: 11/9/2022 12:46:06

Locked:

Closed:

Shower Floor Tile	8661	OD.ON.SWT.0202.MT.N-Ontario Series Mosaic-Snow White Matte-2 x 2 ***STD***
Shower Floor Tile Grout	8661	Grout-(00) White ***STD***
Shower Floor Tile Pattern	8661	STANDARD SQUARE ***STD***

Shower Jamb(s) and Sill(s)	8661	Shower Jamb / Sill-Thassos White ***STD***
Plumbing Fixture (colour)	8661	Plumbing Fixtures-WHITE ***STD***

Comment

Main Stairs

Type	8661	Oak Stairs ***STD MAIN STAIRS***
Colour	7940	Sambucca STAIN TO COMPLIMENT HARDWOOD AND WILL VARY FROM FLOORING ***99***
Handrail/Pickets/Posts Type	7940	1 3/4 inch Square pickets with 3 1/2" Square/Cap Post(s)-ALL OAK ***1***
Handrail/Pickets/Posts Colour	7940	Sambucca STAIN TO COMPLIMENT HARDWOOD AND WILL VARY FROM FLOORING ***99***
Custom Stain/Paint	5879	Paint Pickets and Risers; Stain Railings, Treads, Stringers and Posts (s) Per Set SEE REVISED COLOUR CHART PGS 45-46
Landing(s)	1111	N/A *****
Opt. Carpet Runner	1111	N/A *****

Comment

Lower Level Stairs

Type	1111	Carpet Grade Stairs ***OPT. FINISHED BASEMENT***
Colour	9504	87354-MINOTAUR-OVERCAST-40 oz Poly ***STD***
Handrail/Pickets/Posts Type	9119	Handrail only on closed walls (one or two sides per building code) ***STD***
Handrail/Pickets/Posts Colour	7940	Sambucca STAIN TO COMPLIMENT HARDWOOD AND WILL VARY FROM FLOORING ***99***
Custom Stain/Paint	1111	N/A *****
Landing(s)	1111	N/A *****
Opt. Carpet Runner	1111	N/A *****

Comment

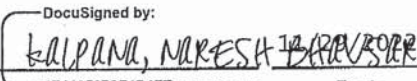
Customer Colours

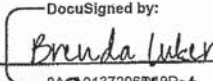
KALPANA, NARESH BHAVSAR/
Project: Wallaceton
Unit: 379, Phase: 3
Model: 28-2797 C THE WESTWOOD

Created: 11/9/2022 12:46:06
Locked:
Closed:


Throughout

Switches and Plug	5796	Decora White Switches and Plugs ***STD***
Thresholds	2232	Metal Thresholds ***STD***
Underpad	1079	500 Series-Underpad ***STD***
Trim Size	8705	4 1/4 Baseboard and 2 3/4 Casings ***STD***
Trim - Paint Colour	1716	Trim-WHITE ***STD***
Walls - Paint Colour	1717	22-Wall-WARM GREY ***STD***
Comment		

Purchaser: 
KALPANA, NARESH BHAVSAF Date

 11/30/2022
Decor Consultant Date

Purchaser: _____
Date

 -05-12-2023
Wallaceton Date Approved



CONSTRUCTION SUMMARY

Lot: 379

Model: 28-2797 C THE WESTWOOD

Project/Phase: Wallaceton / 3

Offer	Ten Thousand Dollars (\$10,000) At D?cor. (No Cash Value) Singles
Worksheet	Note:

Offer	The Purchaser(s) acknowledge that they have NOT been referred by an existing Heathwood Homeowner and therefor are not entitled to a referral fee under Heathwood Homes Referral program.
Worksheet	Note:

Offer	finished lower level with Bathroom
Worksheet	Note:



CONSTRUCTION SUMMARY

Lot: 379
Model: 28-2797 C THE WESTWOOD
Project/Phase: Wallaceton / 3

ADMIN FEE

Invoice	Qty.	Description
---------	------	-------------

APPLIANCES

Invoice	Qty.	Description
---------	------	-------------

1200 314,277 20Jul23 **	1	NO APPLIANCE PACKAGE
----------------------------------	---	----------------------

CABINETRY

Invoice	Qty.	Description
---------	------	-------------

1200 314,277 20Jul23 **	1	KITCHEN - GRANITE - GRANITE CUTOUT W/ STRAIGHT EDGE POLISH TO ACCOMMODATE COOK TOP SKETCH # 3 SEE 30" GAS COOKTOP SPECS SEE SPECS APPLIANCES-Notify; CABINETRY-Notify; ELECTRICAL-Notify
1200 346,341 20Jul23	1	KITCHEN - CABINETRY - OPT LIGHT VALANCE (INCLUDE LIGHTING) - KITCHEN (ALL DOOR STYLES) - UPG ELECTRICAL-Complete Kitchen valance light including switch (Luminiz LED slimline strip light)
1200 314,124 20Jul23	1	KITCHEN - L01-Two-tone colour/style selection for island (must be of equal or lower level to main selection) Viking SKETCH # 3
1200 345,832 20Jul23 **	1	KITCHEN / BREAKFAST - HARDWOOD - VINTAGE 5 IN RED OAK - UVF OIL OR SCULPTED - KITCHEN / BREAKFAST - UPG CABINETRY-Raise Cabinet; CERAMICS-Delete Std Ceramics
1200 345,833 20Jul23 **	1	SERVERY - HARDWOOD - VINTAGE 5 IN RED OAK - UVF OIL OR SCULPTED - SERVERY - UPG CABINETRY-Raise Cabinet; CERAMICS-Delete Std Ceramics
1200 343,437 20Jul23	1	KITCHEN - CABINETRY - KITCHEN - CLASSIC PLUS - UPG
1200 343,445 20Jul23	1	- CABINETRY - OPT. CROWN STD HGT - CLASSIC PLUS - UPG DRYWALL-Notify; FRAMING-Modify Bulkhead; PAINTING-Notify
1200 343,443 20Jul23	1	SERVERY ONLY - CABINETRY - OPT. SERVERY UPPERS - CLASSIC PLUS - UPG SKETCH # 2 AND 3 DRYWALL-Notify; FRAMING-Modify Bulkhead; PAINTING-Notify
1200 343,449 20Jul23	1	KITCHEN - CABINETRY - OPT. BUILT IN - CLASSIC PLUS - UPG SKETCH # 3 SEE APPLIANCE SPECS DRYWAL-Notify; FRAMING-Modify Bulkhead; GRANITE-delete partial countertop due to Built-in; PAINTING-
1200 313,793 20Jul23	1	KITCHEN - B10-Pots and pans drawers (width min. 60cm/max. 90cm) (size subject to floor plan) Classic INSTALL BESIDE FRIDGE SKETCH # 3



CONSTRUCTION SUMMARY

Lot: 379

Model: 28-2797 C THE WESTWOOD

Project/Phase: Wallaceton / 3

CABINETRY

Invoice	Qty.	Description
1200 314,410 20Jul23 **	1	KITCHEN - PLUMBING - KITCHEN SINK UPGRADE - BLANCO KITCHEN SINK QUATRUS U 1 MAXI #401248 (32 INCH X 18 INCH) UNDERMOUNT 1 BOWL 9 INCH DEEP IN STAINLESS STEEL - SEE SPECS CABINETRY-upgraded kitchen sink; GRANITE-upgraded kitchen sink
1200 313,901 20Jul23	1	KITCHEN - B17-45cm wide pull-out door base cabinet waste/recycle centre with soft-close ([2] 35L bins per unit) (available only with 45cm wide cabinet) Classic INSTALL IN ISLAND SKETCH # 3
1200 20Jul23 NoCat	1	KITCHEN - RELOCATE STD BANK OF DRAWERS TO END OF STOVE RUN - BESIDE SERVERY SKETCH # 3
1200 346,998 20Jul23	1	- CABINETRY - OPT LIGHT VALANCE (INCLUDE LIGHTING) - OPT SERVERY UPPER (ALL DOOR STYLES) - UPG ELECTRICAL-Complete Servery valance light including switch (Luminiz LED slimline strip light)

CARPET

Invoice	Qty.	Description
1200 345,831 20Jul23 **	1	UPPER HALL - HARDWOOD - VINTAGE 5 IN RED OAK - UVF OIL OR SCULPTED - UPPER HALL - UPG CARPET-delete std carpet; INTERIOR TRIM-supply and install quarter rounds; PAINTING-paint quarter round



CONSTRUCTION SUMMARY

Lot: 379
Model: 28-2797 C THE WESTWOOD
Project/Phase: Wallaceton / 3

CERAMICS

Invoice	Qty.	Description
1200 345,832 20Jul23 **	1	KITCHEN / BREAKFAST - HARDWOOD - VINTAGE 5 IN RED OAK - UVF OIL OR SCULPTED - KITCHEN / BREAKFAST - UPG CABINetry-Raise Cabinet; CERAMICS-Delete Std Ceramics
1200 345,833 20Jul23 **	1	SERVERY - HARDWOOD - VINTAGE 5 IN RED OAK - UVF OIL OR SCULPTED - SERVERY - UPG CABINetry-Raise Cabinet; CERAMICS-Delete Std Ceramics
1200 344,593 20Jul23	1	- CERAMICS - FOYER FLOOR - UPG 5
1200 344,594 20Jul23	1	- CERAMICS - POWDER FLOOR - UPG 5
1200 344,512 20Jul23	1	- CERAMICS - M.ENS BATH FLOOR - UPG 1
1200 344,547 20Jul23	1	- CERAMICS - MASTER SHOWER FLOOR - UPG 3
1200 344,659 20Jul23	1	- CERAMICS - FOYER FLOOR - DIAG. / CHECKER OFFSET BRICK PATTERN

COFFERED CEILING

Invoice	Qty.	Description
1200 345,651 20Jul23	1	GREAT ROOM - COFFERED CEILING - OPT. COFFERED CEILING - GREAT ROOM SKETCH # 2 DRYWALL-Notify; FRAMING-Notify; PAINTING-Notify

CONCRETE AND DRAIN

Invoice	Qty.	Description
1200 345,664 20Jul23 **	1	Cold Cellar - COLD CELLAR - UPG SKETCH # 1 CONCRETE DRAIN-Notify; DRYWALL-Notify; ELECTRICAL-Supply and install light and switch; FORMING-Notify;FRAMING-Notify; INTERIOR TRIM-Supply and install metal insulated slab door including hardware



CONSTRUCTION SUMMARY

Lot: 379

Model: 28-2797 C THE WESTWOOD

Project/Phase: Wallaceton / 3

DRYWALL

Invoice	Qty.	Description
1200 345,680 20Jul23	1	MAIN FLOOR - DRYWALL - SMOOTH CEILING IN MAIN FLOOR - UPG PAINTING-Paint Smooth Ceiling
1200 343,445 20Jul23 **	1	- CABINETS - OPT. CROWN STD HGT - CLASSIC PLUS - UPG DRYWALL-Notify; FRAMING-Modify Bulkhead; PAINTING-Notify
1200 343,443 20Jul23 **	1	SERVERY ONLY - CABINETS - OPT. SERVERY UPPERS - CLASSIC PLUS - UPG SKETCH # 2 AND 3 DRYWALL-Notify; FRAMING-Modify Bulkhead; PAINTING-Notify
1200 343,449 20Jul23 **	1	KITCHEN - CABINETS - OPT. BUILT IN - CLASSIC PLUS - UPG SKETCH # 3 SEE APPLIANCE SPECS DRYWALL-Notify; FRAMING-Modify Bulkhead; GRANITE-delete partial countertop due to Built-in; PAINTING-
1200 345,664 20Jul23 **	1	Cold Cellar - COLD CELLAR - UPG SKETCH # 1 CONCRETE DRAIN-Notify; DRYWALL-Notify; ELECTRICAL-Supply and install light and switch; FORMING-Notify;FRAMING-Notify; INTERIOR TRIM-Supply and install metal insulated slab door including hardware
1200 345,651 20Jul23 **	1	GREAT ROOM - COFFERED CEILING - OPT. COFFERED CEILING - GREAT ROOM SKETCH # 2 DRYWALL-Notify; FRAMING-Notify; PAINTING-Notify



CONSTRUCTION SUMMARY

Lot: 379
Model: 28-2797 C THE WESTWOOD
Project/Phase: Wallaceton / 3

ELECTRICAL

Invoice	Qty.	Description
1200 314,242 20Jul23	1	KITCHEN - ELECTRICAL - RELOCATION OF SWITCHES/LIGHTS (MUST SPECIFY LOCATION) - NOTE: PLUGS CANNOT BE RELOCATED- MUST PURCHASE ADDITIONAL OUTLET. RELOCATE STD 220V PLUG TO BUILT IN OVEN/ MICRO LOCATION SKETCH # 3
1200 314,277 20Jul23 **	1	KITCHEN - GRANITE - GRANITE CUTOUT W/ STRAIGHT EDGE POLISH TO ACCOMMODATE COOK TOP SKETCH # 3 SEE 30" GAS COOKTOP SPECS SEE SPECS APPLIANCES-Notify; CABINETRY-Notify; ELECTRICAL-Notify
1200 314,340 20Jul23 **	1	KITCHEN - HEATING/AIR - ROUGH-IN GAS LINE FOR GAS STOVE AT MAIN FLOOR (SEE SPECS) (HOOK-UP NOT INCLUDED) LEAVE STANDARD 120 VOLT ELECTRICAL OUTLET ON A SEPARATE CIRCUIT. STANDARD 220V 40AMP TO BE RELOCATED FOR BUILT-IN MICRO/OVEN ELECTRICAL-Notify SKETCH # 3 SEE 30" COOKTOP SPECS
1200 346,341 20Jul23 **	1	KITCHEN - CABINETRY - OPT LIGHT VALANCE (INCLUDE LIGHTING) - KITCHEN (ALL DOOR STYLES) - UPG ELECTRICAL-Complete Kitchen valance light including switch (Luminiz LED slimline strip light)
1200 314,242 20Jul23	1	KITCHEN - ELECTRICAL - RELOCATION OF SWITCHES/LIGHTS (MUST SPECIFY LOCATION) - NOTE: PLUGS CANNOT BE RELOCATED- MUST PURCHASE ADDITIONAL OUTLET. RELOCATE STD KITCHEN LIGHT TO OVER ISLAND - CENTERED SKETCH # 3
1200 314,232 20Jul23	1	GREAT ROOM - ELECTRICAL - EXTRA WALL INTERIOR OUTLET ON EXISTING CIRCUIT (DOES NOT INCLUDE KITCHEN OUTLETS) INSTALL 70" +/- ABOVE FIREPLACE SKETCH # 2
1200 345,664 20Jul23 **	1	Cold Cellar - COLD CELLAR - UPG SKETCH # 1 CONCRETE DRAIN-Notify; DRYWALL-Notify; ELECTRICAL-Supply and install light and switch; FORMING-Notify;FRAMING-Notify; INTERIOR TRIM-Supply and install metal insulated slab door including hardware
1200 346,998 20Jul23 **	1	- CABINETRY - OPT LIGHT VALANCE (INCLUDE LIGHTING) - OPT SERVERY UPPER (ALL DOOR STYLES) - UPG ELECTRICAL-Complete Servery valance light including switch (Luminiz LED slimline strip light)

FORMING

Invoice	Qty.	Description
1200 345,664 20Jul23 **	1	Cold Cellar - COLD CELLAR - UPG SKETCH # 1 CONCRETE DRAIN-Notify; DRYWALL-Notify; ELECTRICAL-Supply and install light and switch; FORMING-Notify;FRAMING-Notify; INTERIOR TRIM-Supply and install metal insulated slab door including hardware



CONSTRUCTION SUMMARY

Lot: 379
Model: 28-2797 C THE WESTWOOD
Project/Phase: Wallaceton / 3

FRAMING

Invoice	Qty.	Description
1200 343,445 20Jul23 **	1	- CABINETRY - OPT. CROWN STD HGT - CLASSIC PLUS - UPG DRYWALL-Notify; FRAMING-Modify Bulkhead; PAINTING-Notify
1200 343,443 20Jul23 **	1	SERVERY ONLY - CABINETRY - OPT. SERVERY UPPERS - CLASSIC PLUS - UPG SKETCH # 2 AND 3 DRYWALL-Notify; FRAMING-Modify Bulkhead; PAINTING-Notify
1200 343,449 20Jul23 **	1	KITCHEN - CABINETRY - OPT. BUILT IN - CLASSIC PLUS - UPG SKETCH # 3 SEE APPLIANCE SPECS DRYWAL-Notify; FRAMING-Modify Bulkhead; GRANITE-delete partial countertop due to Built-in; PAINTING-
1200 345,664 20Jul23 **	1	Cold Cellar - COLD CELLAR - UPG SKETCH # 1 CONCRETE DRAIN-Notify; DRYWALL-Notify; ELECTRICAL-Supply and install light and switch; FORMING-Notify;FRAMING-Notify; INTERIOR TRIM-Supply and install metal insulated slab door including hardware
1200 345,651 20Jul23 **	1	GREAT ROOM - COFFERED CEILING - OPT. COFFERED CEILING - GREAT ROOM SKETCH # 2 DRYWALL-Notify; FRAMING-Notify; PAINTING-Notify

GLASS PRODUCTS / MIRRORS

Invoice	Qty.	Description
1200 345,700 20Jul23	1	ENSUITE 4 - GLASS PRODUCTS / MIRRORS - UPGRADE TO FRAMELESS CLEAR GLASS WITH D-RING HANDLE IN CHROME - ENSUITE 4 - UPG SKETCH # 4
1200 345,699 20Jul23	1	ENSUITE MASTER - GLASS PRODUCTS / MIRRORS - UPGRADE TO FRAMELESS CLEAR GLASS WITH D-RING HANDLE IN CHROME - ENSUITE MASTER - UPG SKETCH # 4

GRANITE

Invoice	Qty.	Description
1200 314,277 20Jul23	1	KITCHEN - GRANITE - GRANITE CUTOUT W/ STRAIGHT EDGE POLISH TO ACCOMMODATE COOK TOP SKETCH # 3 SEE 30" GAS COOKTOP SPECS SEE SPECS APPLIANCES-Notify; CABINETRY-Notify; ELECTRICAL-Notify
1200 343,449 20Jul23 **	1	KITCHEN - CABINETRY - OPT. BUILT IN - CLASSIC PLUS - UPG SKETCH # 3 SEE APPLIANCE SPECS DRYWAL-Notify; FRAMING-Modify Bulkhead; GRANITE-delete partial countertop due to Built-in; PAINTING-
1200 314,410 20Jul23 **	1	KITCHEN - PLUMBING - KITCHEN SINK UPGRADE - BLANCO KITCHEN SINK QUATRUS U 1 MAXI #401248 (32 INCH X 18 INCH) UNDERMOUNT 1 BOWL 9 INCH DEEP IN STAINLESS STEEL - SEE SPECS CABINETRY-upgraded kitchen sink; GRANITE-upgraded kitchen sink



CONSTRUCTION SUMMARY

Lot: 379
Model: 28-2797 C THE WESTWOOD
Project/Phase: Wallaceton / 3

HARDWOOD

Invoice	Qty.	Description
1200 345,825 20Jul23	1	DINING ROOM - HARDWOOD - VINTAGE 5 IN RED OAK - UVF OIL OR SCULPTED - DINING ROOM - UPG
1200 345,824 20Jul23	1	GREAT ROOM - HARDWOOD - VINTAGE 5 IN RED OAK - UVF OIL OR SCULPTED - GREAT ROOM - UPG
1200 345,832 20Jul23	1	KITCHEN / BREAKFAST - HARDWOOD - VINTAGE 5 IN RED OAK - UVF OIL OR SCULPTED - KITCHEN / BREAKFAST - UPG CABINETRY-Raise Cabinet; CERAMICS-Delete Std Ceramics
1200 345,826 20Jul23	1	MAIN HALL - HARDWOOD - VINTAGE 5 IN RED OAK - UVF OIL OR SCULPTED - MAIN HALL - UPG
1200 345,833 20Jul23	1	SERVERY - HARDWOOD - VINTAGE 5 IN RED OAK - UVF OIL OR SCULPTED - SERVERY - UPG CABINETRY-Raise Cabinet; CERAMICS-Delete Std Ceramics
1200 345,831 20Jul23	1	UPPER HALL - HARDWOOD - VINTAGE 5 IN RED OAK - UVF OIL OR SCULPTED - UPPER HALL - UPG CARPET-delete std carpet; INTERIOR TRIM-supply and install quarter rounds; PAINTING-paint quarter round

HEATING / AIR CONDITIONING

Invoice	Qty.	Description
1200 314,340 20Jul23	1	KITCHEN - HEATING/AIR - ROUGH-IN GAS LINE FOR GAS STOVE AT MAIN FLOOR (SEE SPECS) (HOOK-UP NOT INCLUDED) LEAVE STANDARD 120 VOLT ELECTRICAL OUTLET ON A SEPARATE CIRCUIT. STANDARD 220V 40AMP TO BE RELOCATED FOR BUILT-IN MICRO/OVEN ELECTRICAL-Notify SKETCH # 3 SEE 30" COOKTOP SPECS

INTERIOR RAILINGS

Invoice	Qty.	Description
1200 345,738 20Jul23	1	MAIN STAIRS - Interior Railings - OAK - 1 3/4 INCH SQUARE PICKETS WITH 3 1/2" SQUARE/CAP POST(S) AS PER PLAN - OPT. FINISHED BASEMENT - UPG



CONSTRUCTION SUMMARY

Lot: 379
Model: 28-2797 C THE WESTWOOD
Project/Phase: Wallaceton / 3

INTERIOR TRIM AND DOORS

Invoice	Qty.	Description
1200 345,831 20Jul23 **	1	UPPER HALL - HARDWOOD - VINTAGE 5 IN RED OAK - UVF OIL OR SCULPTED - UPPER HALL - UPG CARPET-delete std carpet; INTERIOR TRIM-supply and install quarter rounds; PAINTING-paint quarter round
1200 345,664 20Jul23 **	1	Cold Cellar - COLD CELLAR - UPG SKETCH # 1 CONCRETE DRAIN-Notify; DRYWALL-Notify; ELECTRICAL-Supply and install light and switch; FORMING-Notify;FRAMING-Notify; INTERIOR TRIM-Supply and install metal insulated slab door including hardware

PAINTING

Invoice	Qty.	Description
1200 345,680 20Jul23 **	1	MAIN FLOOR - DRYWALL - SMOOTH CEILING IN MAIN FLOOR - UPG PAINTING-Paint Smooth Ceiling
1200 345,831 20Jul23 **	1	UPPER HALL - HARDWOOD - VINTAGE 5 IN RED OAK - UVF OIL OR SCULPTED - UPPER HALL - UPG CARPET-delete std carpet; INTERIOR TRIM-supply and install quarter rounds; PAINTING-paint quarter round
1200 348,104 20Jul23	1	MAIN STAIRS - PAINTING - PAINT RISERS & STRINGERS; STAIN TREADS, RAILINGS & POST(S) - PER SET OF OAK STAIRS
1200 343,445 20Jul23 **	1	- CABINetry - OPT. CROWN STD HGT - CLASSIC PLUS - UPG DRYWALL-Notify; FRAMING-Modify Bulkhead; PAINTING-Notify
1200 343,443 20Jul23 **	1	SERVERY ONLY - CABINetry - OPT. SERVERY UPPERS - CLASSIC PLUS - UPG SKETCH # 2 AND 3 DRYWALL-Notify; FRAMING-Modify Bulkhead; PAINTING-Notify
1200 343,449 20Jul23 **	1	KITCHEN - CABINetry - OPT. BUILT IN - CLASSIC PLUS - UPG SKETCH # 3 SEE APPLIANCE SPECS DRYWAL-Notify; FRAMING-Modify Bulkhead; GRANITE-delete partial countertop due to Built-in; PAINTING-
1200 345,651 20Jul23 **	1	GREAT ROOM - COFFERED CEILING - OPT. COFFERED CEILING - GREAT ROOM SKETCH # 2 DRYWALL-Notify; FRAMING-Notify; PAINTING-Notify

PLUMBING

Invoice	Qty.	Description
1200 314,410 20Jul23	1	KITCHEN - PLUMBING - KITCHEN SINK UPGRADE - BLANCO KITCHEN SINK QUATRUS U 1 MAXI #401248 (32 INCH X 18 INCH) UNDERMOUNT 1 BOWL 9 INCH DEEP IN STAINLESS STEEL - SEE SPECS CABINetry-upgraded kitchen sink; GRANITE-upgraded kitchen sink

THE WESTWOOD

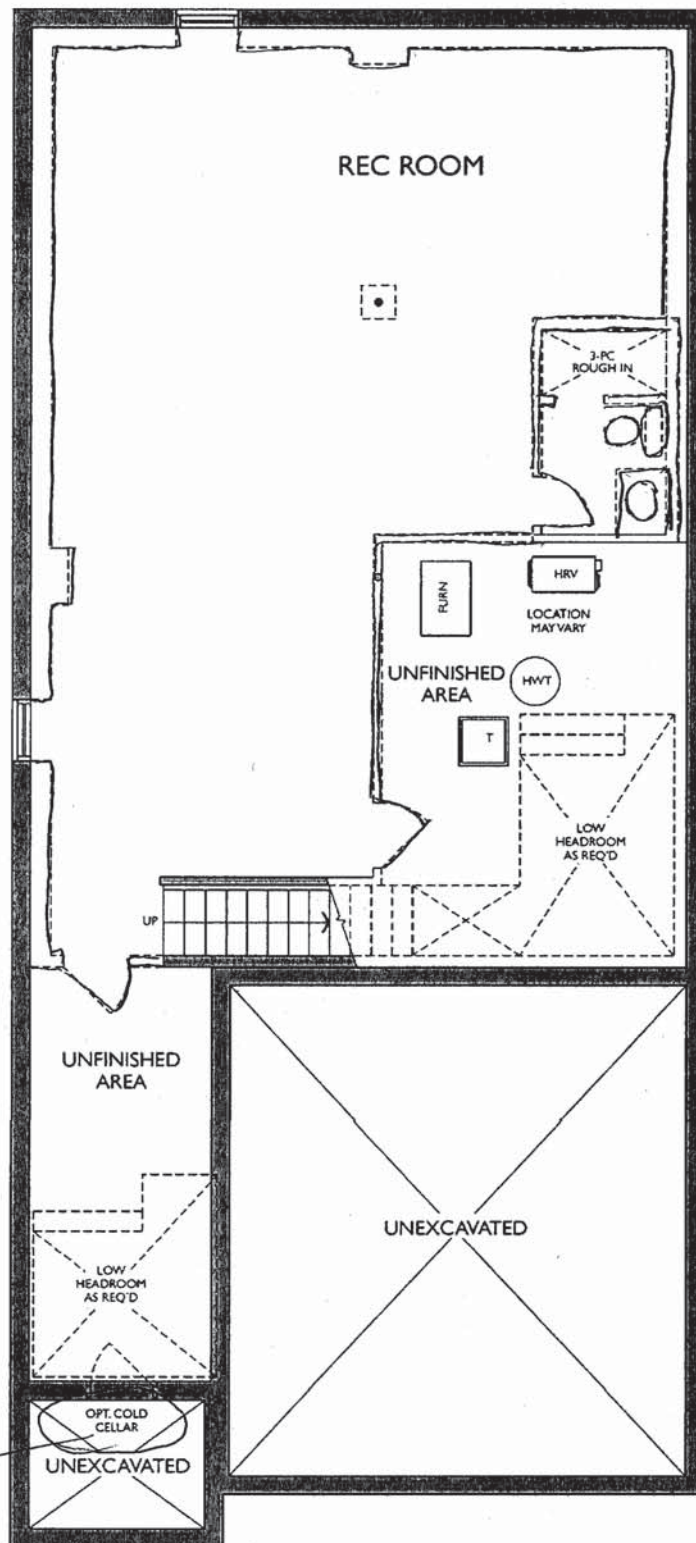
ELEVATION C | 2,792 SQ. FT.

833 sq. ft. of opt. finished Lower Level

WALLACETON
EST. 1870

28-2797 ELEV. C

Sketch #1



OPTIONAL COLD CELLAR

LOWER LEVEL
ELEVATION C

THE WESTWOOD

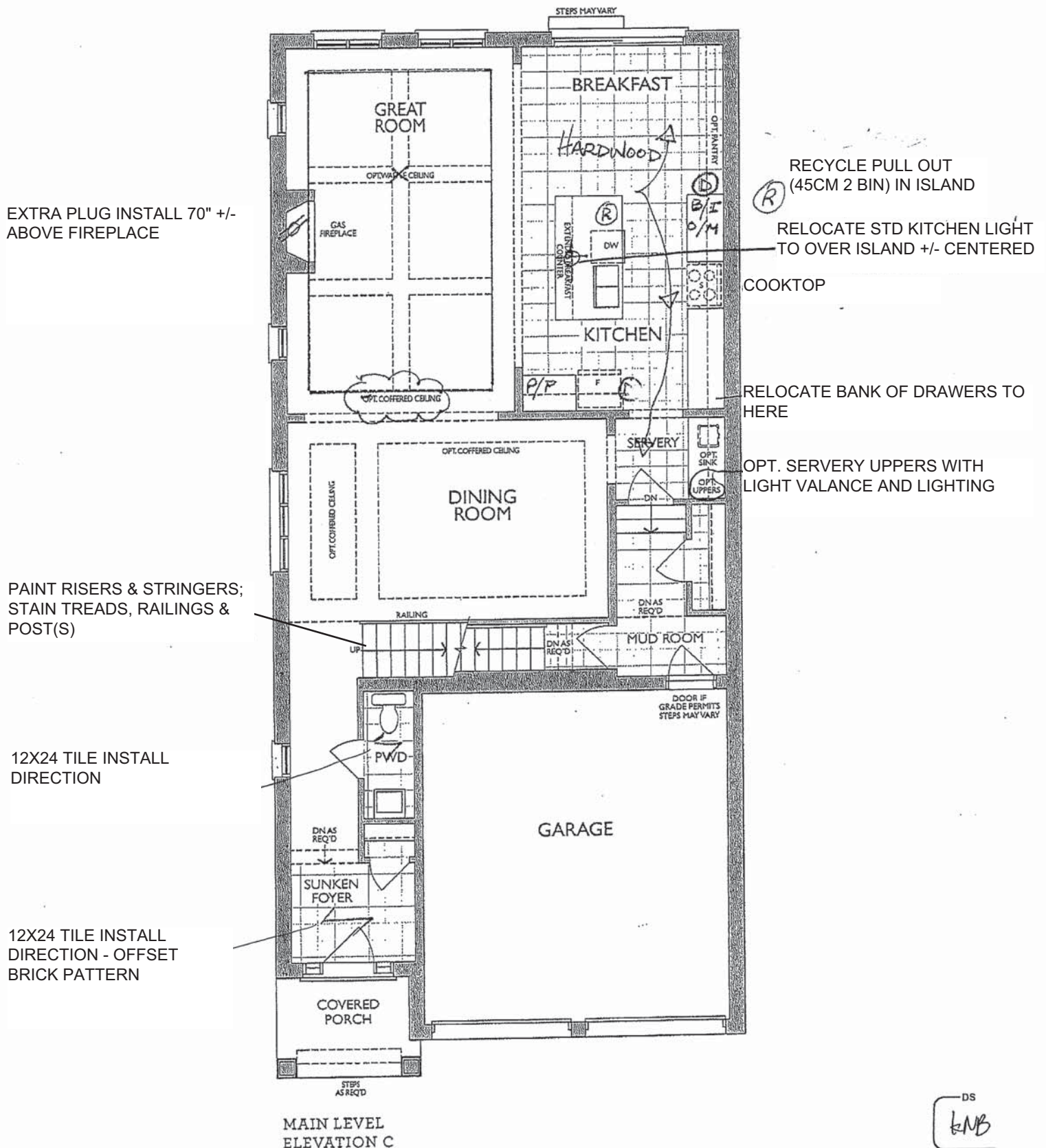
Sketch #2

ELEVATION C | 2,792 SQ. FT.

28-2797 ELEV. C

833 sq. ft. of opt. finished Lower Level

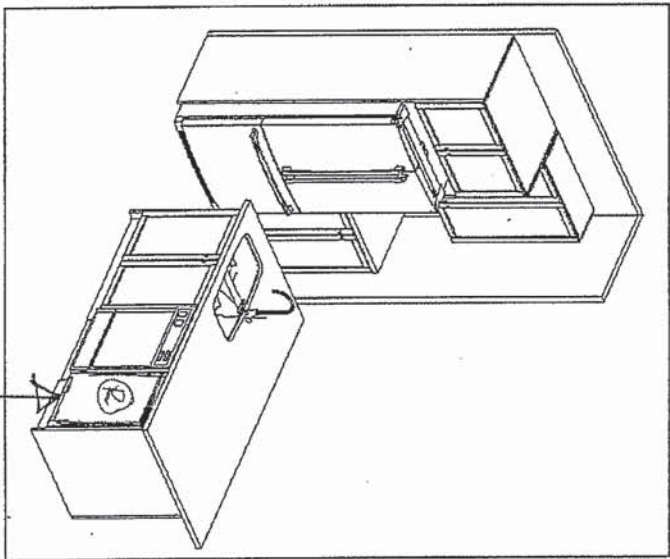
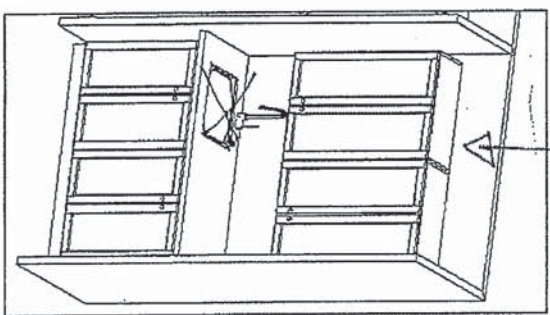
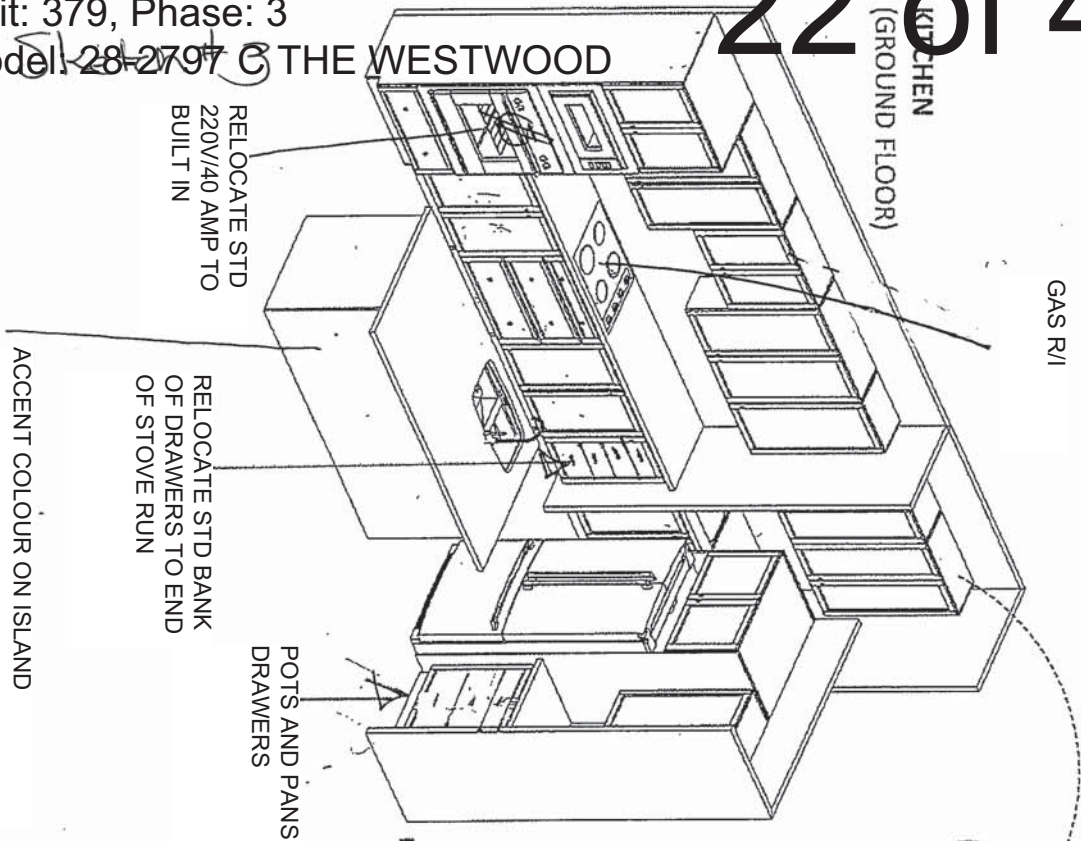
WALLACETON
 EST. 1870



Project: Wallaceon
 Unit: 379, Phase: 3
 Model: 28-2797 THE WESTWOOD

UPGRADE KITCHEN - BUILT-IN APPLIANCES:
 - 30" COOKTOP POTS & PANS
 - 30" WALL OVEN

CROWN STD HGT
 LIGHT VALANCE (INCLUDE LIGHTING) IN
 KITCHEN AND SERVERY



SD

4/29/2022



F R E N D L E
 K I T C H E N S L I M I T E D
 1390 Shawson Drive, Mississauga, ON L4W 1G5

HEATHWOOD HOMES
 WALLACETON, KITCHENER ON
 MODEL: 28-2841 CRN (3401-CRN)
 & 28-2797 (3401)

STANDARD CONTRACT INCLUDES:

Appliance Openings

- Hood: 30"W builder hood
- Fridge Opening: 37 3/8 "W X 73 3/8"
- Fridge cabinet & gables: 66cm Deep
- **Cooktop: 30"W - Tall Wall Oven: 30"W**
- Dishwasher Opening: 24"

Standard Kitchens Scope:

- 100cm H wall cabinets
- Std. Blumotion Hinges- **soft close doors**
- Std. Metabox Drawers- **not soft close**
- Min 40cm W drawer
- Base pie cut corner cabinets
- Backing on all cabinets
- Countertop by others
- Upgrade applied paneled fridge & dishwashers supply only (appliance hardware by others)

THIS DRAWING IS FOR DESIGN PURPOSES ONLY.
 IT IS NOT AN EXACT RENDITION.

THE WESTWOOD

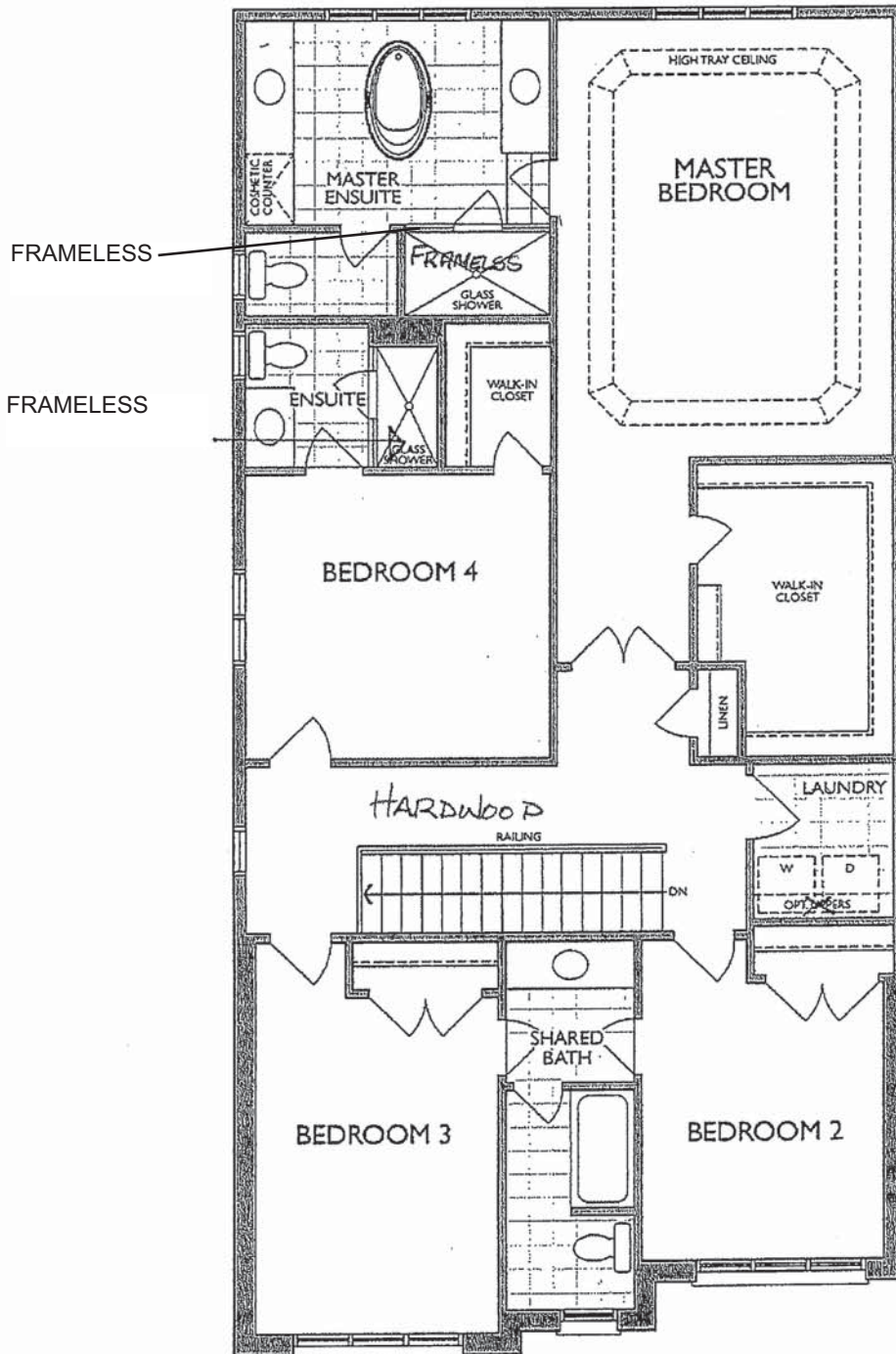
ELEVATION C | 2,792 SQ. FT.

833 sq. ft. of opt. finished Lower Level

28-2797 ELEV. C

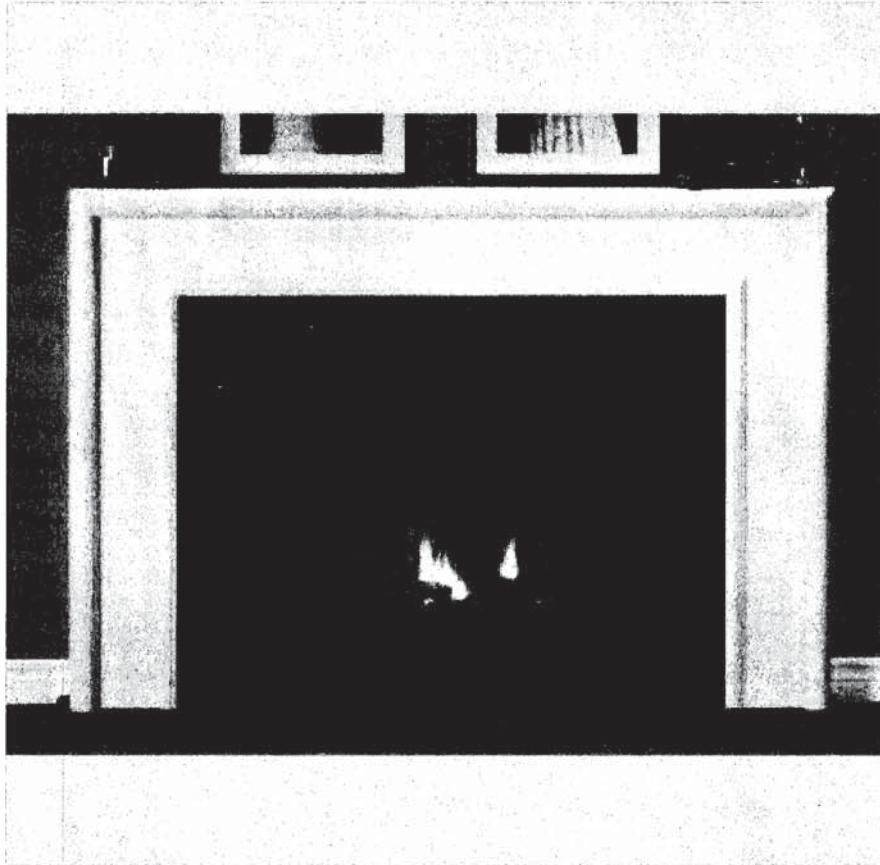
Sketch #4

WALLACETON
EST. 1870



SECOND LEVEL
ELEVATION C

DS
KMB



NEAS NF17 Mantel

BLANCO

Sink Specifications

Colour	SKU
brushed finish	401248

Design and planning tips

- Min cabinet size: 36 in (915 mm)
- Bowl Depth: 9 in (230.0 mm)

Specifications:

Installation clips, Sink template, Installation instructions, 3 1/2" (90 mm) stainless steel strainer

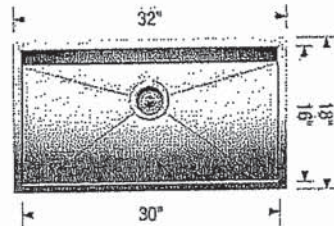
Depending on cabinet construction, a different cabinet size may be required. Consult the cabinet manufacturer.

Codes/Standards: ASME A112.19.3-2017/ CSA B45.4-17

Optional Accessories

Elevated Grid	406346
Workstation	406344
CapFlow Strainer Cover	517666
Ash Cutting Board	406345
Sink Grid	402125

QUATRUS U 1 SUPER SINGLE Stainless steel brushed finish



KITCHEN

Warranty

Limited lifetime warranty on all sinks and faucets. One-year warranty on all accessories and soap dispensers.

Code/Standards Compliance

BLANCO sinks and faucets are third-party tested and certified to CSA, cUPC, ANSI/ASME, IAPMO and NSF standards and listed by applicable certification bodies. For more information on individual product listings, contact our office or listing organization.



Need support? Learn more by watching our sink & faucet How-to videos:
<https://www.blanco.com/ca-en/support/how-to-videos/how-to-videos-for-sinks/>



BLANCO Canada Inc
100 Corporation Drive
Brampton ON L6S 6B5

Tel & Fax
Tel: 905-494-2400 Toll free: 1-877-425-2626
Fax: 905-494-2425 Toll free: 1-877-825-2626

While BLANCO strives to provide accurate information, all images and dimensions in this document are intended for reference only and are subject to change at any time without notice. This document is not intended for use as an installation guide. For technical installation details, refer to installation instructions provided with the product. BLANCO assumes no responsibility for the use of superseded or voided specifications.



Specifications

FAUCET DESCRIPTION

- Reflex™ pulldown system offers smooth operation, easy movement and secure docking
- Power Clean™ spray technology
- Metal construction with various finishes identified by suffix
- Quick connect installation
- Pulldown spray with 68" braided hose
- Flexible supply lines with 3/8" compression fittings
- High arc spout provides height and reach to fill or clean large pots while pulldown wand provides the maneuverability for cleaning or rinsing
- 360° rotating spout
- Faucet designed for handle to be mounted on right side only

OPERATION

- Lever style handle
- Temperature controlled by 100° arc of handle travel
- Operates with less than 5 lbs. of force
- Operates in stream or spray mode in the pullout or retracted position

FLOW

- Flow is limited to 1.5 gpm (5.7 L/min) max at 60 psi

CARTRIDGE

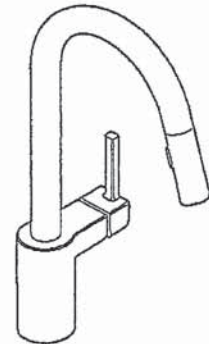
- 1255™ Duralast™ cartridge

STANDARDS

- Third party certified to IAPMO Green, ASME A112.18.1/CSA B125.1 and all applicable requirements therein including NSF 61/9G & 372
- Meets CalGreen and Georgia SB370 requirements
- Complies with California Proposition 65 and with the Federal Safe Drinking Water Act
- The backflow protection system in the device consists of two independently operating check valves, a primary and a secondary which prevent backflow
- ADA for lever handle

WARRANTY

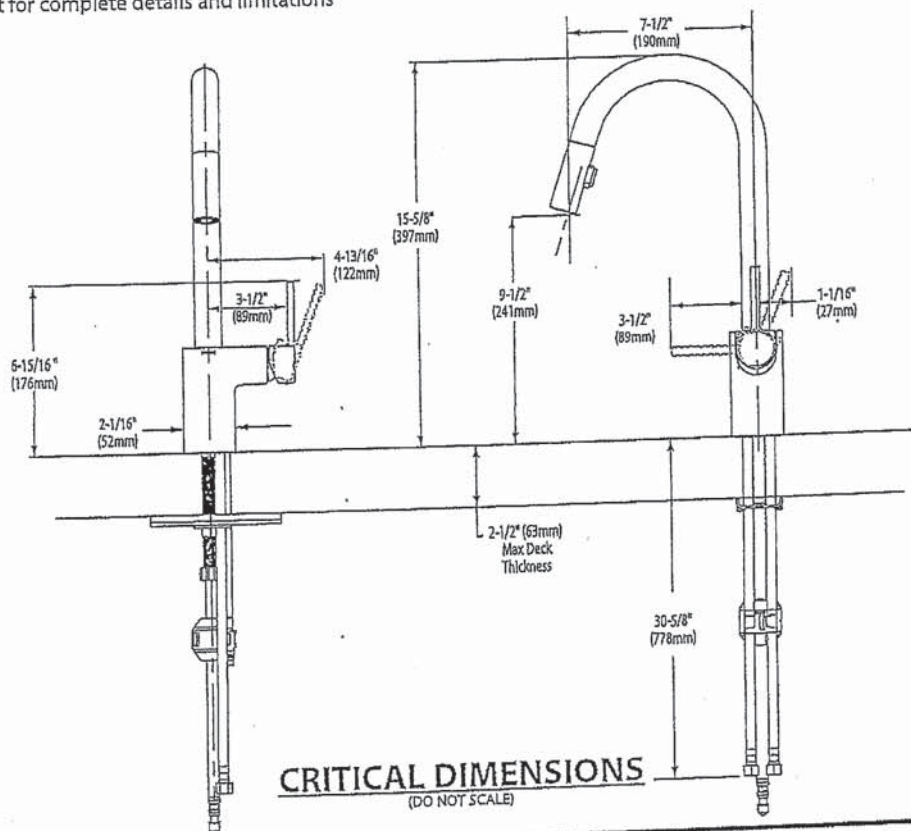
- Lifetime limited warranty against leaks, drips and finish defects to the original homeowner
 - 10 year limited warranty when used in a multifamily installation
 - 5 year limited warranty when used in a commercial installation
- Visit www.moen.com/support for complete details and limitations



ALIGN™
 Single Handle High Arc
 Pulldown Kitchen Faucet

Models: 7565 series

NOTE: THIS FAUCET IS DESIGNED TO BE INSTALLED THROUGH 1 HOLE, 1-1/2" (38mm) MIN. DIA. (OPTIONAL 3-HOLE ESCUTCHEON 141002 AVAILABLE)



FOR MORE INFORMATION CALL: 1-800-BUY-MOEN
www.moen.com

Rev. 6/20





BARRIER FREE (ABOVE COUNTER OR DROP-IN ONLY)

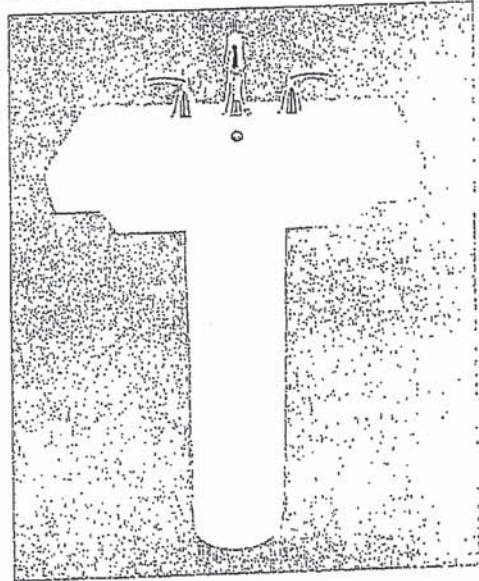
BOULEVARD®
PEDESTAL SINK
VITREOUS CHINA

BOULEVARD® PEDESTAL SINK

- ~~0641.800 Faucet holes on 8" (203mm) centers (Illustrated)~~
- STD 0641.400 Faucet holes on 4" (102mm) centers

- ~~0641.100 Center hole only~~
 - Classic styled rectangular pedestal lavatory
 - Vitreous china
 - Rear overflow
 - Supplied with mounting kit
 - Right Height® for greater comfort during use
 - Faucet ledge with large deck area (faucet not included)
 - Design coordinates with Boulevard® Toilet
 - Basin has flat bottom to also allow use as an above counter sink or a drop-in sink (with u-shaped cut out)

Nominal Dimensions:
24" x 19" x 35-1/2"
(610 x 483 x 902mm)



SEE REVERSE FOR ROUGHING-IN DIMENSIONS

- 0641.008 Pedestal top-8" (203mm) centers
- 0641.004 Pedestal top-4" (102mm) centers
- 0641.001 Pedestal top-center hole only
- 0010.000 Pedestal only

Bowl sizes:
17" (432mm) wide,
12-1/2" (318mm) front to back,
5" (127mm) deep

Compliance Certifications -
Meets or Exceeds the Following Specifications:
• ASME A112.19.2 - 2008/CSA B45.1-08

To Be Specified:

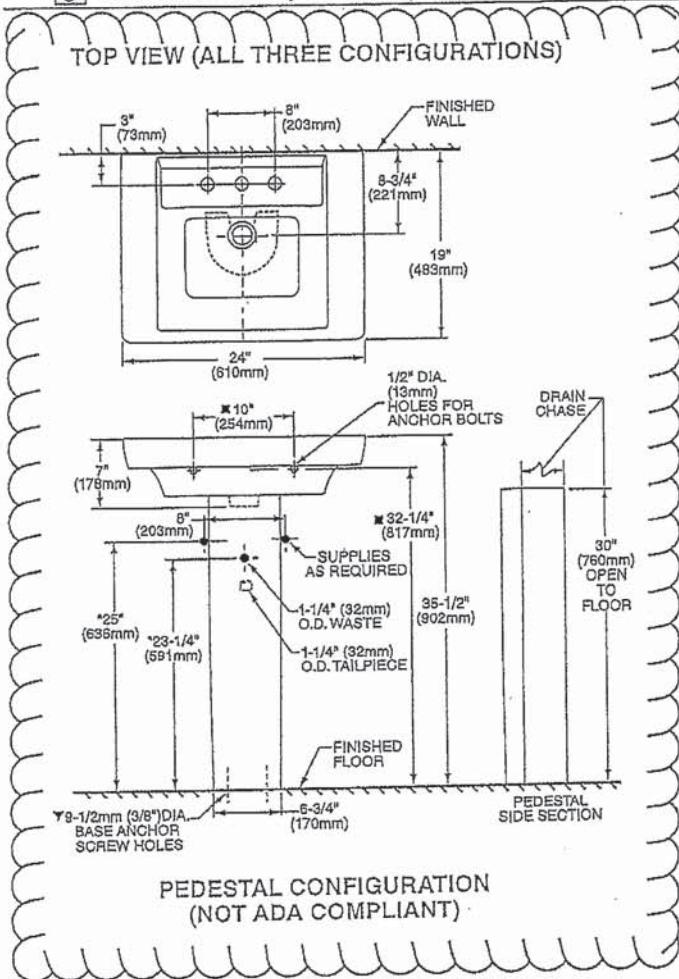
- Color: White Linen
- Faucet Finish:
- Supplies:
- 1-1/4" Trap:
- Nipple:

* See faucet section for additional models available

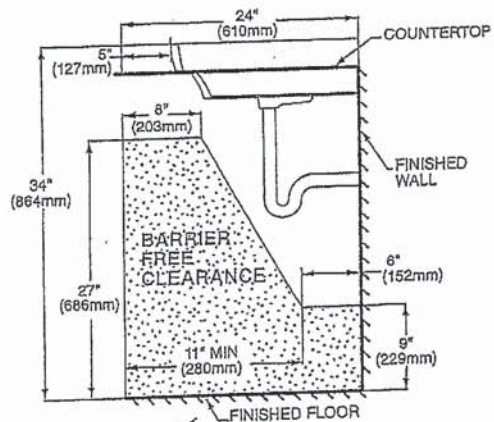
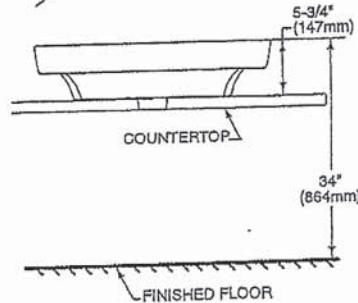
American Standard

**BOULEVARD®
 PEDESTAL SINK**
 VITREOUS CHINA

BARRIER FREE (ABOVE COUNTER OR DROP-IN ONLY)



ABOVE COUNTER CONFIGURATION



ABOVE COUNTER AND DROP-IN SINK CONFIGURATIONS MEET THE AMERICANS WITH DISABILITIES ACT GUIDELINES AND ANSI A117.1 ACCESSIBLE AND USABLE BUILDINGS AND FACILITIES - CHECK LOCAL CODES. Top of sink installed at 34" (864mm) height from finished floor. Sink installed 5" (127mm) minimum from front edge of countertop. Provide 27" (686mm) knee clearance area.

NOTES:
 * DIMENSIONS SHOWN FOR LOCATION OF SUPPLIES AND "P" TRAPS ARE SUGGESTED.
 ▼ PEDESTAL ANCHORING SCREWS NOT INCLUDED.
 ■ SUITABLE FOR REINFORCEMENT ONLY. ACTUAL DIMENSIONS MUST BE TAKEN FROM FIXTURE.
 FITTING NOT INCLUDED AND MUST BE ORDERED SEPARATELY.
 PROVIDE SUITABLE REINFORCEMENT FOR ALL WALL SUPPORTS.
 INSTALLATION INSTRUCTIONS SUPPLIED WITH LAVATORY.

IMPORTANT: Dimensions of fixtures are nominal and may vary within the range of tolerance established by ANSI Standard A112.19.2. These measurements are subject to change or cancellation. No responsibility is assumed for use of superseded or voided pages.

American Standard

Style That Works Better

 BARRIER FREE

OVALYN™ UNDERCOUNTER SINK

- Classic oval undermount sink
- Made from vitreous china
- Front overflow
- Supplied with mounting kit (047194-0070A) and template

- 0495.221 Unglazed rim
435 x 359mm
(17-1/8" x 14-1/8")
- 0495.300 Glazed underside

Bowl size:

382mm (15-1/16") wide
306mm (12-1/16") front to back
140mm (5-1/2") deep

- 0496.221 Unglazed rim
489 x 413mm
(19-1/4" x 16-1/4")

- 0496.300 Glazed underside

Bowl size:

432mm (17") wide
356mm (14") front to back
140mm (5-1/2") deep

- 0497.221 Unglazed rim
546 x 441mm
(21-1/2" x 17-3/8")
- 0497.300 Glazed underside

Bowl size:

483mm (19") wide
391mm (15-3/8") front to back
140mm (5-1/2") deep

Compliance Certifications -

Meets or Exceeds the Following Specifications:

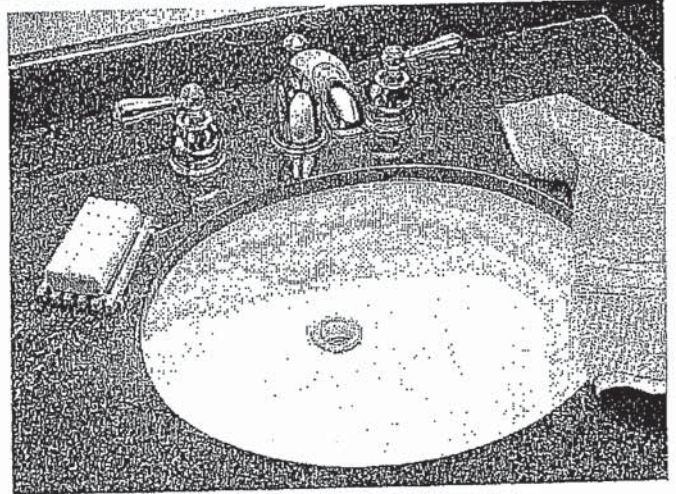
- ASME A112.19.2M for Vitreous China Fixtures
- CAN/CSA B45 series

To Be Specified:

- Color: White Bone Linen
 Silver Fawn Beige Black
- Faucet*:
- Faucet Finish:
- Supplies:
- 1-1/4" Trap:

* See faucet section for additional models available

**OVALYN™
UNDERCOUNTER SINK**
VITREOUS CHINA



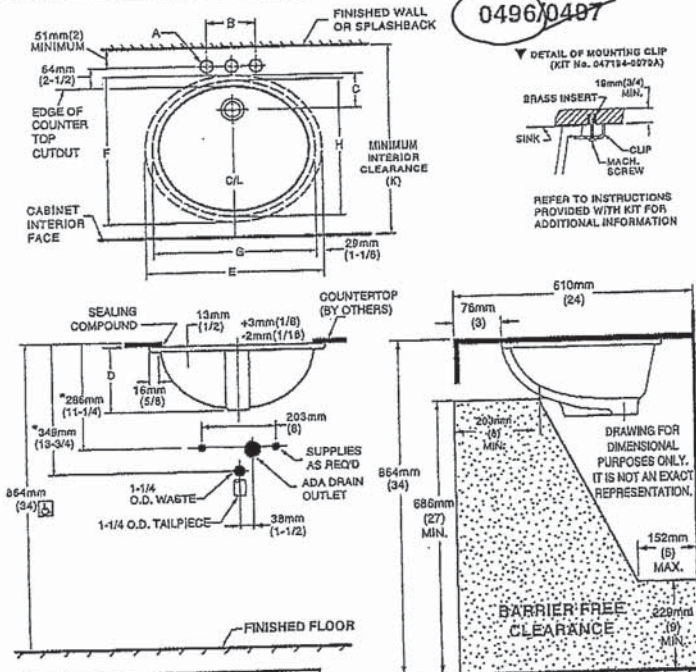
STD Master Ensuite Undermount SINGLES

SEE REVERSE FOR ROUGHING-IN DIMENSIONS

American Standard
 Style That Works Better

OVALYN™
UNDERCOUNTER SINK
 VITREOUS CHINA

BARRIER FREE



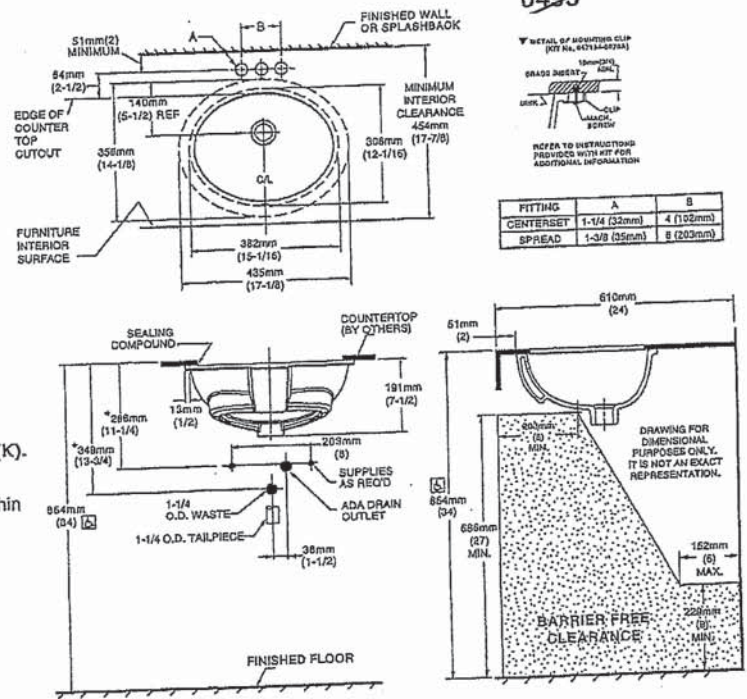
NOTES:
 * DIMENSIONS SHOWN FOR LOCATION OF SUPPLIED AND "P" TRAP ARE SUGGESTED.
 ▼ UNDERCOUNTER MOUNTING KIT SUPPLIED WITH SINK. PLEASE NOTE MINIMUM INTERIOR CLEARANCE DIMENSION (K). FITTINGS NOT INCLUDED AND MUST BE ORDERED SEPARATELY. USE ENCLOSED TEMPLATE FOR COUNTERTOP CUTOUT SEALING COMPOUND SUPPLIED BY OTHERS.

IMPORTANT: Dimensions of fixtures are nominal and may vary within the range of tolerances established by ANSI Standard A112.19.2. These measurements are subject to change or cancellation. No responsibility is assumed for use of superseded or voided pages.

MEETS THE AMERICANS WITH DISABILITIES ACT GUIDELINES AND ANSI A117.1 ACCESSIBLE AND USEABLE BUILDINGS AND FACILITIES - CHECK LOCAL CODES.
 Countertop 864mm (34") from finished floor. Lavatory installed 76mm (3") from front edge of countertop. Countertop thickness to be 25mm (1") maximum.

FITTING	A	B
CENTERSET	1-1/4 (32mm)	4 (102mm)
SPREAD	1-3/8 (35mm)	8 (203mm)

CAT. NO.	E	F	G	H	C	D	J	K
0496.221	489mm (19-1/4)	413mm (16-1/4)	432mm (17)	356mm (14)	103mm (4-1/16)	182mm (7-3/16)	16mm (5/8)	500mm (19-11/16)
0497.221	546mm (21-1/2)	441mm (17-3/8)	483mm (19)	391mm (15-3/8)	95mm (3-9/4)	191mm (7-1/2)	19mm (3/4)	534mm (21-1/16)



FITTING	A	B
CENTERSET	1-1/4 (32mm)	4 (102mm)
SPREAD	1-3/8 (35mm)	8 (203mm)

NOTES:
 USE ENCLOSED TEMPLATE FOR COUNTER TOP CUTOUT. FITTINGS NOT INCLUDED WITH FIXTURE AND MUST BE ORDERED SEPARATELY.
 * DIMENSIONS SHOWN FOR LOCATION OF SUPPLIED AND "P" TRAP ARE SUGGESTED.
 ▼ UNDERCOUNTER MOUNTING KIT SUPPLIED WITH SINK. PLEASE NOTE MINIMUM INTERIOR CLEARANCE DIMENSION (K). SEALING COMPOUND SUPPLIED BY OTHERS.

IMPORTANT: Dimensions of fixtures are nominal and may vary within the range of tolerances established by ANSI Standard A112.19.2. These measurements are subject to change or cancellation. No responsibility is assumed for use of superseded or voided pages

MEETS THE AMERICANS WITH DISABILITIES ACT GUIDELINES AND ANSI A117.1 ACCESSIBLE AND USEABLE BUILDINGS AND FACILITIES - CHECK LOCAL CODES.
 Countertop 864mm (34") from finished floor. Lavatory installed 51mm (2") from front edge of countertop. Countertop thickness to be 25mm (1") maximum.

DS
 KMB

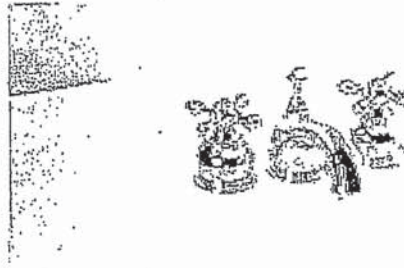
American Standard

BARRIER FREE

COLONY™
COUNTERTOP SINK
 VITREOUS CHINA

COLONY COUNTERTOP SINK

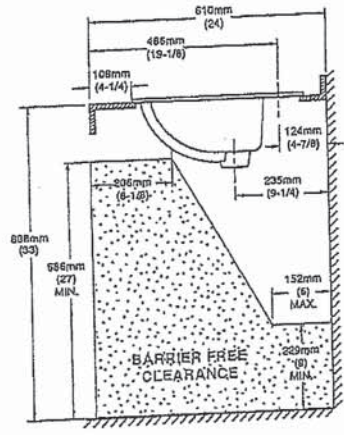
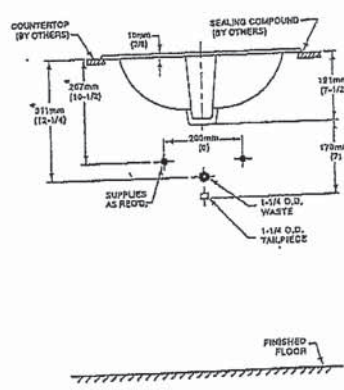
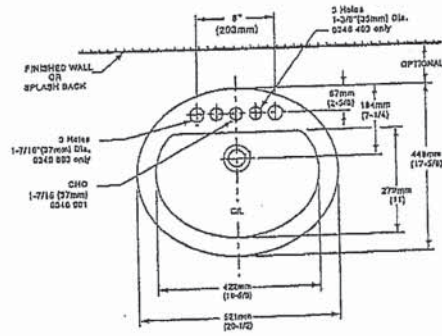
- Vitreous china
- Self-rimming
- Front overflow
- Supplied with template
- Faucet deck
 (Faucet shown not included)



- 0346 803
 Faucet holes on 293mm (8") centres
- 0346 403 (Illustrated)
 Faucet holes on 102mm (4") centres
- 0346 001
 Centre hole only

Nominal Dimensions:
 521 x 448mm (20-1/2" x 17-5/8")

Bowl sizes:
 422mm (16-5/8") wide, 279mm (11") front to back, 143mm (5-5/8") deep



COMPLIANCE CERTIFICATIONS –
 Meets or exceeds the following Specifications:
 • ASME A112.19.2M for Vitreous China Fixtures.
 • CAN/CSA B45 Series.

To Be Specified

- Colour: White Bone Silver Gray Linen
- Faucet*:
- Faucet Finish:
- Supplies & Stops:
- Trap 1-1/4" (32 mm):

NOTES:
 * DIMENSIONS SHOWN FOR LOCATION OF SUPPLIES AND "P" TRAP ARE SUGGESTED. FOR COUNTERTOP CUTOUT AND INSTALLATION INSTRUCTIONS USE TEMPLATE SUPPLIED WITH SINK.
 FAUCETS NOT INCLUDED AND MUST BE ORDERED SEPARATELY.
 IMPORTANT: Dimensions of fixtures are nominal and may vary within the range of tolerances established by ANSI Standard A112.19.2.
 These measurements are subject to change or cancellation. No responsibility is assumed for use of superseded or voided pages.

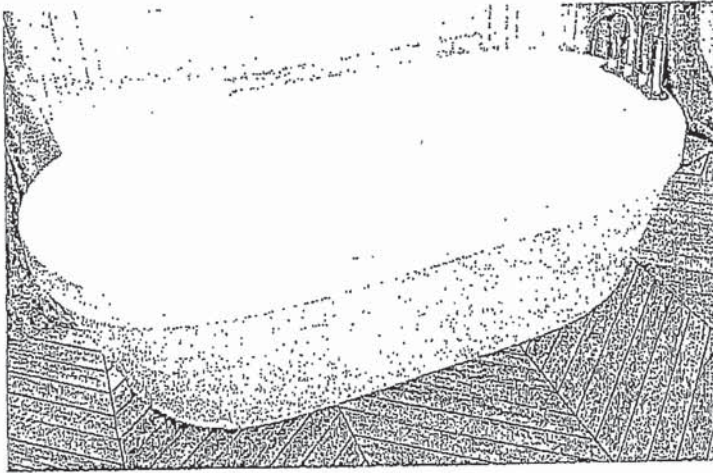
* See faucet section for additional models available

DS
 KMB



DEMI™ Product Specification Sheet

Two Piece Freestanding Collection



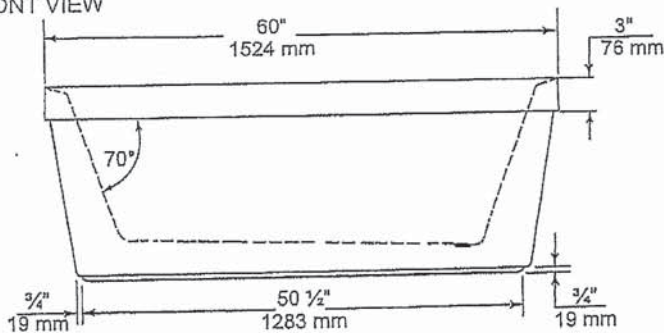
CF2007 Two Piece Freestanding Soaker
 Size: 60" x 32" x 22"
 1524 mm x 813 mm x 559 mm

PRODUCT FEATURES & BENEFITS

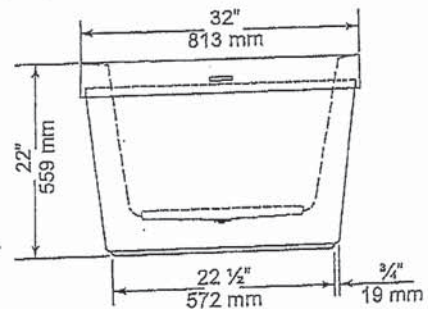
- Vacuum formed acrylic reinforced with fiberglass
- Scratch, stain and fade resistant high gloss finish
- Installation friendly two piece design
- Accepts deck mounted faucet
- Includes integral pop up drain and rectangular overflow
- Includes levelling feet

TWO PIECE ASSEMBLY

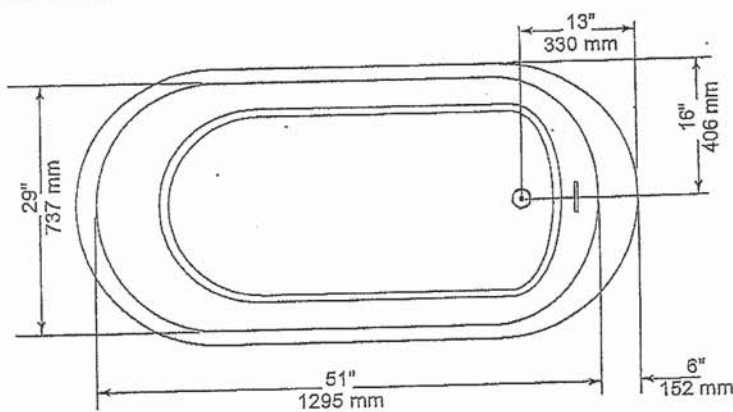
FRONT VIEW



END VIEW



TOP VIEW



GENERAL SPECIFICATIONS

Average Weight	90 lb	41 kg
Bathing Well at bottom	43" x 20"	1092 x 508 mm
Capacity Drain to Overflow		195 litres
Water Depth Drain to Overflow	16"	406 mm
Drain Opening (dia.)	2"	51 mm
Overflow Opening	2 1/2" x 1/2"	57 x 13 mm
Drain to Floor Clearance	3 1/4"	83 mm

NOTES: Please confirm measurements on actual product to ensure proper identification. Bathtub to be installed on the floor supported by 5 self levelling feet. Adjust if required to level the bathtub for adequate drainage. Refer to installation instructions for additional information.

IMPORTANT: Dimensions of fixtures are nominal and may vary ± 1/4" (6 mm). Weight may vary ± 5 lb (2.3 kg). Drawing is not to scale. These measurements are subject to change at manufacturer's discretion.

Compliance Certifications -

Meets or Exceeds the following Specifications:
 • CAN/CSA - B45 Series



60 Shorncliffe Rd., Toronto, Ontario M8Z 5K1
 Telephone: 416.231.9030 Fax: 416.231.0929
 www.mirolin.com

© 2018 Mirolin Industries Corp.

Customer Service: 416.231.5790
 Canada, U.S.A.: 800.MIROLIN(647-6546)
 Fax, Canada: 800.463.2236

R0084162
 25 Sep. 2018



American Standard

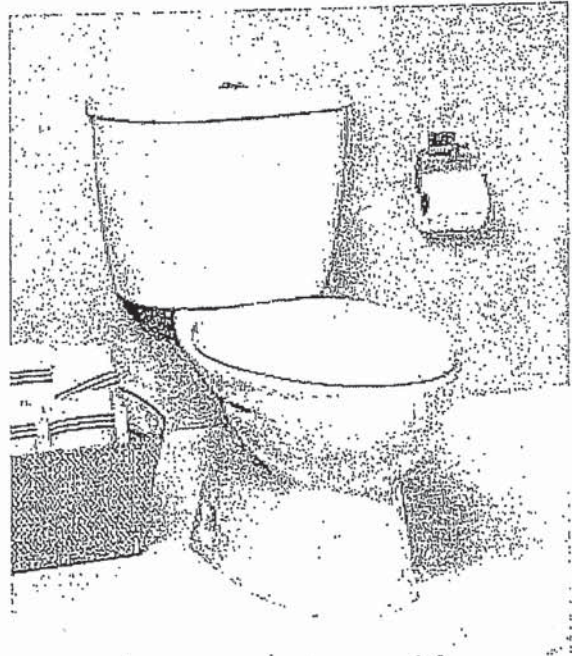
Style That Works Better

FloWise™ DUAL FLUSH ELONGATED TOILET

VITREOUS CHINA

FloWise™ DUAL FLUSH ELONGATED TOILET

- 2476 216
 - Vitreous china
 - Low-consumption Dual Flush
 - Full flush 6.0 Lpf/1.3 gpf,
 - Partial flush 3.0 Lpf/0.66 gpf.
 - Elongated wash down bowl
 - Internal trapway fully-glazed, 2-1/4" (57mm) ballpass
 - Concealed trapway bowl
 - Chrome-plated top mounted push button actuator
 - Easy to clean sanitary dam on bowl
 - Includes Elongated Slow Close Seat
 - 100% factory flush tested
 - 2 bolt caps

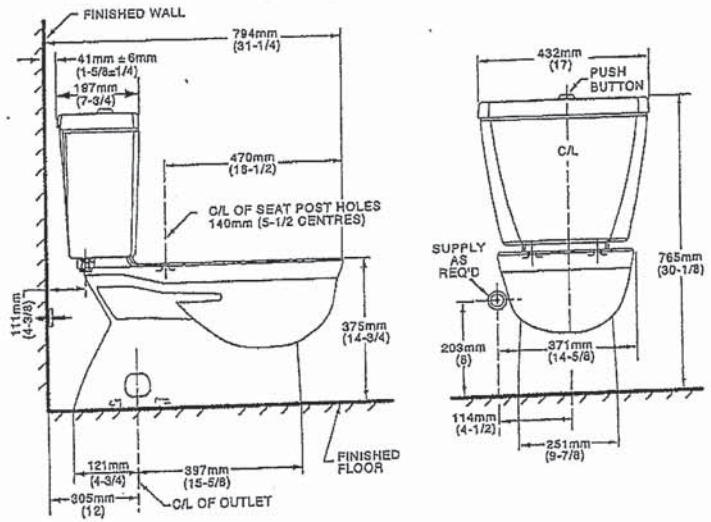


Separate Component Parts:

- 3067 316 Elongated Bowl with Slow Close Seat
- 4035 216 Unlined Tank

- 2476 516 Same as above with Lined tank
 - 3067 316 Elongated Bowl
 - 4035 516 Lined Tank

Nominal Dimensions:
794 x 432 x 765mm
(31-1/4" x 17" x 30-1/8")



Compliance Certifications -
Meets or Exceeds the Following Specifications:
• ASME A112.19.2M (and 19.6M)
• CAN/CSA B45 series

To Be Specified

- Colour: 020 White
- Supply with stop:

NOTES:
THIS TOILET IS DESIGNED TO ROUGH-IN AT A MINIMUM DIMENSION OF 305MM (12") FROM FINISHED WALL TO C/L OF OUTLET.
SUPPLY NOT INCLUDED WITH FIXTURE AND MUST BE ORDERED SEPARATELY.
* DIMENSION SHOWN FOR LOCATION OF SUPPLY IS SUGGESTED.
FOR ADDITIONAL INFORMATION REFER TO INSTALLATION INSTRUCTIONS SUPPLIED.
IMPORTANT: Dimensions of fixtures are nominal and may vary within the range of tolerance established by ANSI Standard A112.19.2
These measurements are subject to change or cancellation. No responsibility is assumed for use of superseded or voided pages.

UPGRADED VALUE ADDED FEATURES AT NO EXTRA CHARGE



Specifications

DESCRIPTION

- Metal construction with various finishes identified by suffix
- 16" long 3/8" tubing connections
- Includes metal or 50/50 pop-up type waste assembly where noted

OPERATION

- Pivot action lever style handle
- Temperature controlled through 180° degree arc of handle travel


FLOW

- Flow is limited to 1.5 gpm max (5.7L/min) at 60 psi

CARTRIDGE

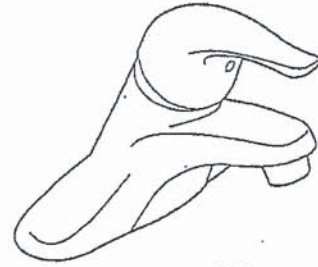
- 1225 cartridge design
- Nonmetallic/nonferrous and stainless steel material.
- Can accommodate reversed piping and back to back installations

STANDARDS

- Third party certified to WaterSense®, CSA B-125.1, ASME A112.18.1 and all applicable requirements referenced therein including NSF61/9
- Complies with California Proposition 65 and with the Federal Safe Drinking Water Act
- ADA  for lever handle

WARRANTY

- Lifetime limited warranty against leaks, drips and finish defects to the original consumer purchaser
- 5 year warranty if used in commercial installations



CHATEAU® Single-Handle Lavatory Faucet

with Metal Waste Assembly

Model: L4625 series
L4631BC

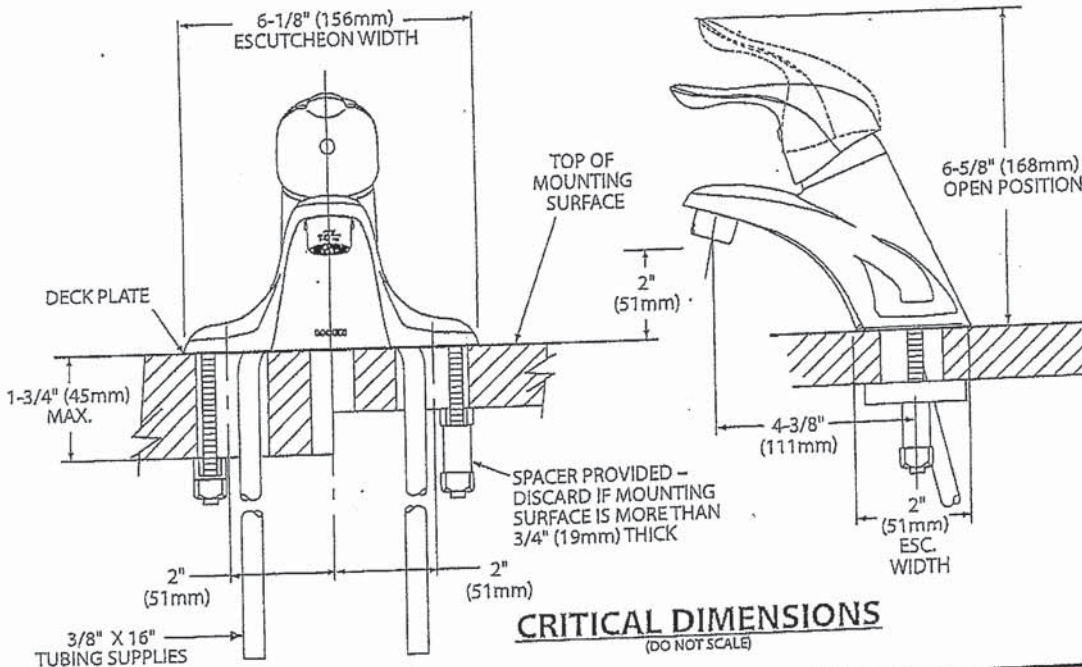
Bulk Packed (12 per carton):
L64624 series

with 50/50 Waste Assembly

Bulk Packed (12 per carton):
L64625 series

Less Waste
Bulk Packed (12 per carton):
L64600 series

NOTE: THIS FAUCET IS DESIGNED TO BE INSTALLED THRU 3-1" DIA. HOLES, 2" ON CENTER



FOR MORE INFORMATION CALL: 1-800-BUY-MOEN
www.moen.com

Rev 8/15





Buy it for looks. Buy it for life.®

There is more than 1 version of this model.
Page down to identify the version you have.

DESCRIPTION

- Metal construction with various finishes identified by suffix
- Includes non-metallic showerhead, arm, flange and non-metallic diverter tub spout

OPERATION

- Handle operates counterclockwise through a 270° arc with off at 6 o'clock and maximum hot at the 9 o'clock position. Shut off in clockwise direction
- Adjustable temperature limit stop to control maximum hot water temperature
- Pressure balancing mechanism maintains selected discharge temperature to ± 3°

FLOW

- Showerhead is limited to 2.5 gpm (9.5 L/min) at 80 psi
- EP suffix models are limited to 1.75 gpm (6.6 L/min) at 80 psi
- NH suffix models contain no showerhead

CARTRIDGE

- 1222 cartridge design
- Accommodates back to back installations
- Nonmetallic/nonferrous and stainless steel material

STANDARDS

- Third party certified to meet ASME A112.18.1/CSA B125.1 and all applicable requirements referenced therein
- EP suffix models are third party certified to WaterSense®

- ADA for lever handle

WARRANTY

- Lifetime limited warranty against leaks, drips and finish defects to the original consumer purchaser
- 5 year warranty if used in commercial installations

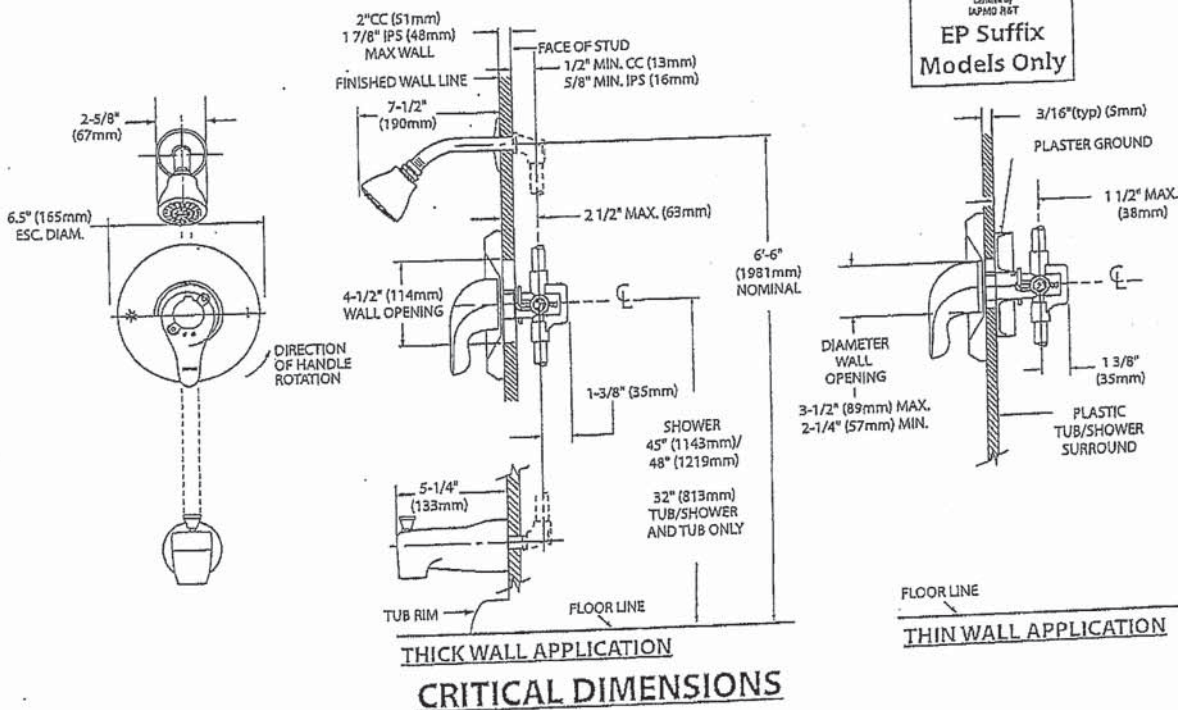
Specifications



**CHATEAU® POSI-TEMP®
Single-Handle Tub/Shower Trim Kit**

- Models:** TL181 series - valve trim only
(Bulk Packed 12 per carton)
TL182 series - shower trim only
(Bulk Packed 12 per carton)
TL183 series - tub/shower trim
(Bulk Packed 12 per carton)

- Valves:** 62300 series
2500 series



FOR MORE INFORMATION CALL: 1-800-BUY-MOEN
www.moen.com



Specifications


DESCRIPTION

- Metal construction with various finishes identified by suffix

OPERATION

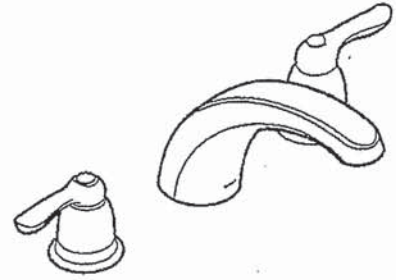
- Lever style handles with hot and cold color indicator
- Rotate hot side handle counterclockwise to open (clockwise to close) and the cold side handle (clockwise to open) and (counterclockwise to close)

STANDARDS

- Third party certified to: ASME A112.18.1/CSA B-125.1, and all applicable requirements referenced therein
- ADA  for lever handles

WARRANTY

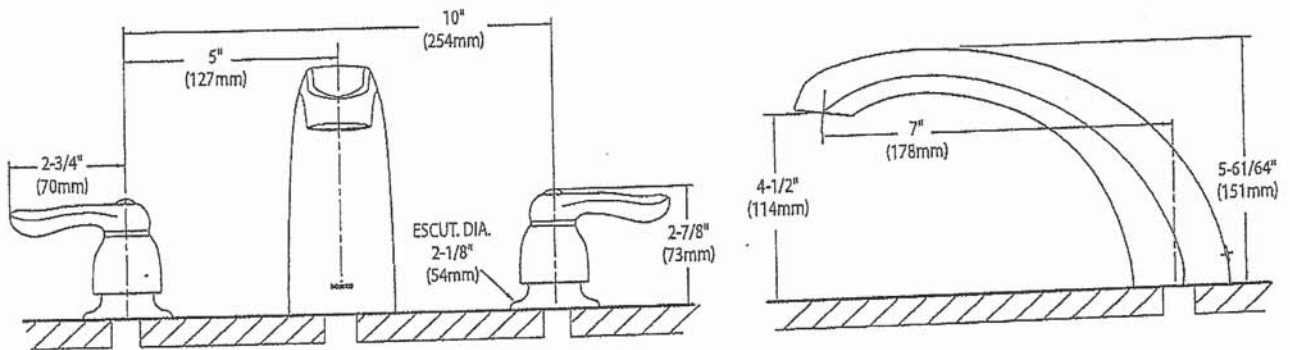
- Lifetime limited warranty against leaks, drips and finish defects to the original homeowner
 - 10 year limited warranty when used in a multi-family installation
 - 5 year limited warranty when used in a commercial installation
- Visit www.moen.com/support for complete details and limitations



CHATEAU®
Two-Handle Garden Tub Trim

Models: T994 series

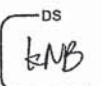
Valves: 4792, 4793, 4794, 4796, 4797, 4798



CRITICAL DIMENSIONS (DO NOT SCALE)

Rev. 3/19

FOR MORE INFORMATION CALL: 1-800-BUY-MOEN
www.moen.com





SPECIFICATIONS
AV SERIES
 RANGE HOODS

HVI CERTIFIED 180 CFM/7.0 Sones @ 0.10" SP. Horizontal
 180 CFM/7.5 Sones @ 0.10" SP. Vertical

Dimensions

Overall bottom projection - 18 3/8"
 Overall top projection - 12"
 Height - 6"
 Available widths: 21", 24", 30", 36" & 42"

Hood Body

Stainless Steel: 24 gauge, grade 430 stainless steel.
 Painted: 23 gauge cold rolled commercial grade (CRCQ) steel, auto welded, coated with a baked enamel finish.

Motor

2 speed, single coil, thermally protected, permanently lubricated.
 Rated 120 volts, 60 hz. Complete with 200°C lead wires.

Lighting

Single 60 watt cook light capacity (bulb not included).

Ducting Options

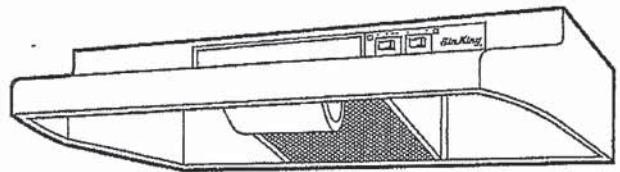
Horizontal ducting: 3 1/4"x10" (duct adapter and damper included).
 Vertical ducting: 3 1/4"x10" (duct adapter and damper included).
 Vertical ducting: 7" round (duct adapter and damper not included).
 Ductless: removable front vent (charcoal filter not included).

Fan Blade

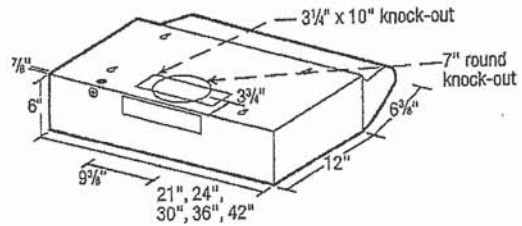
One piece polymeric, electronically balanced blade. 6 5/8" diameter with 5 paddles.

Electrical connection

Hood top - 7/8" knockout hole for use with 1/2" cable clamp
 Hood back - 7/8" knockout hole for use with 1/2" cable clamp



AV SERIES



Filters

UL rated, class 2 filter.
 Grease Filter: RF35 - 8 7/8"x10 3/8" (included).
 Charcoal Filter: RF34 (not included).
 Combo Grease/Charcoal: RF55 (not included).

Available Finishes

White, Biscuit, Almond, Black & Stainless Steel.

Air Flow - CFM	Static Pressure (inches of w.g.)						Sones @ .1 SP	Fan Speed RPM	Power Watts	Apms
	0	0.05	0.1	0.15	0.2	0.25				
Vertical Ducting High	246	232	218	203	181	147	7.5	2973	87.0	2.1
Horizontal Ducting High	225	210	180	175	155	120	7.0	3024	87.0	2.1

PROJECT							ARCHITECT				
LOCATION							ENGINEER				
CONTRACTOR							SUBMITTED BY			DATE	
FAN NUMBER	MODEL NUMBER	CFM	IN W.C.	RPM	WATTS	AMPS	SONES	QTY	OPTIONAL EQUIPMENT & REMARKS		



Air King: 820 Lincoln Avenue
 West Chester, Pennsylvania 19380-4466
 Tel: (610) 692-7400 • 877-304-3785
 Fax: (610) 696-8048

Canada:
 Brampton, Ontario
 Tel: 905-456-2033
 Fax: (905) 456-1015

Specifications subject to change without notice.

Updated 2-18

DS
 KMB



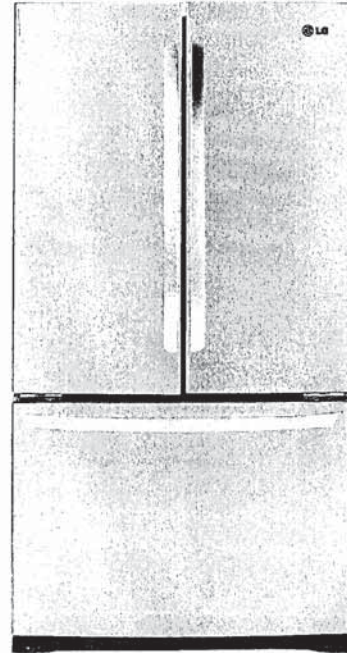
HOME APPLIANCES

LG REFRIGERATION

LFCC22426

23 cu.ft. Counter Depth 3-Door French Door Refrigerator

- Smudge Resistant Finish
- Automatic Ice Maker Installed
- Door Cooling+
- Glide N' Serve Pantry Drawer
- SpillProtector™ Tempered Glass
- Flat Duct Design
- 10 Year Warranty on Inverter Linear Compressor
- SmartDiagnosis® System
- ENERGY STAR® Qualified

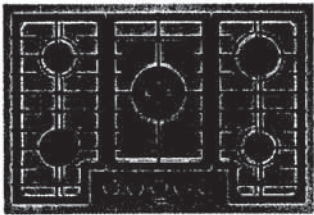


CAPACITY	
Refrigerator (cu.ft.)	15.5
Freezer (cu.ft.)	7.3
Total Capacity (cu.ft.)	22.8
ENERGY	
Energy Consumption (kWh/Year)	595
ENERGY STAR® Qualified	Yes
WATER & ICE SYSTEM	
Automatic Ice Maker	Installed
Water Filter	LT1000P
COOLING	
Inverter Linear Compressor	Yes
Multi-Air Flow	Yes
Temperature Sensors	5
CONVENIENCE	
Display Type	Membrane / White LED
Temperature Controls	Electronic/Digital
Auto Closing Door Hinge	Yes
LoDecibel™ Quiet Operation	Yes
REFRIGERATOR	
No. of Shelves	4 Split
Cantilevered Shelves	Hybrid Cantilevered
Shelf Construction	Spill Protector™ Tempered Glass
Crisper Bins	2 Humidity Crispers
Glide N' Serve Pantry Drawer	Yes
Refrigerator Light	Ceiling LED
REFRIGERATOR DOOR	
No. of Bins	6 Total (2 Adjustable Gallon Sized)
Door Bin Construction	1 Piece (Clear)
Door Cooling+	Yes
FREEZER	
Door Type	Pull Drawer
Drawers	2-Tier Organization
Drawer Divider	Yes
Freezer Light	LED Lighting
Freezer Handle	SmartPull™ Handle

MATERIALS AND FINISHES	
Contour Door	Yes
Hidden Hinges	Yes
Smudge Resistant Finish	Yes
Handles	Matching Commercial
Available Colours	Smudge Resistant Stainless Steel
DIMENSIONS/CLEARANCES/WEIGHTS	
Depth with Handles	31 1/4"
Depth without Handles	28 3/4"
Depth without Door	24 3/4"
Depth (Total with Door Open)	43 1/2"
Height to Top of Case	68 3/8"
Height to Top of Door Hinge	69 3/4"
Width	35 3/4"
Width (Door Open 90° with Handle)	44 1/4"
Width (Door Open 90° without Handle)	39 1/4"
Door Edge Clearance with Handle	4 1/2"
Door Edge Clearance without Handle	1 3/4"
Installation Clearance	Sides 1/8", Top 1", Back 2"
Weight (Unit/Carton)	259 lbs. / 289 lbs.
Carton Dimensions (WxHxD)	38" x 73" x 37"
LIMITED WARRANTY	
Parts & Labour	1 Year
Sealed System	7 Years
Inverter Linear Compressor	10 Years
UPC CODES	
LFCC22426 (Smudge Resistant Stainless Steel)	048231797252

30" Gas Cooktop

800 Series – Stainless Steel NGM8058UC



NGM8058UC
Stainless Steel

Also available in:
 Black w/Black Stainless
 Knobs
 NGM8048UC

The 800 Series gas cooktop with FlameSelect® is a better way to cook with gas and delivers precision flame levels for consistent results.

Features & Benefits

FlameSelect® offers 9 distinct power levels and delivers precision flame height every time for consistent, repeatable results.

Dual-ring power burner has 2 rings for low and high flame settings so you can go from simmer to sear with ease.

Dishwasher safe heavy-duty enameled cast iron grates makes cleanup simple and convenient.

OptiSim® burner offers more flame control at the lowest settings for precise simmering and melting.

Control knob with red LED light line indicates if burner is on and the burner's residual heat.

General Properties

No. of burners	5
Knob color	Stainless Steel Appearance
Control location	Front-Center
Sealed burners	Yes
Valves	Five 9-Level Gas Step Valves
Ignition system	Electronic; Thermocouple Flame Monitor Control
Cooktop surface material	Stainless Steel
Grate material	Cast Iron
Grate features	Continuous Grates, Dishwasher Safe

Element Performance

Total BTU load (NG / LP)	42,700 / 41,400
Power of front left burner (NG / LP)	3,400 / 3,400
Power of back left burner (NG / LP)	6,000 / 6,000
Power of center burner (NG / LP)	17,000 / 15,700
Power of back right burner (NG / LP)	10,300 / 10,300
Power of front right burner (NG / LP)	6,000 / 6,000



Technical Details

Circuit breaker	15 A
Volts	120 V
Frequency	60 Hz
Plug type	3-Prong
Power cord length	40"
Fuel type	Natural Gas (Factory Set)
Convertible to LP (kit required)	Yes

Dimensions & Weight

Overall appliance dimensions (HxWxD)	3 3/4" x 31" x 21 1/4"
Required cutout size (HxWxD)	2" x 28 15/16" x 19 1/8"
Minimum distance from counter front	1 7/8"
Minimum distance from rear wall	3"
Net weight	40 lbs

Accessories – Included

Included	LP Conversion Kit, OptiSim® Cap
----------	---------------------------------

Accessories – Optional



HEZ9GR58UC
Griddle



HEZ298102
Wok Ring

*To be fully ADA compliant, these units must be installed according to ADA guidelines. Please check current ADA requirements for guidance on installation.

Accessories: To purchase Bosch accessories, cleaners & parts please visit www.bosch-home.com/us/store or call 1-800-944-2904 (Mon to Fri 5 am to 6 pm PST, Sat 6 am to 3 pm PST).
Notes: All height, width and depth dimensions are shown in inches. BSH reserves the absolute and unrestricted right to change product materials and specifications, at any time, without notice. Consult the product's installation instructions for final dimensional data and other details prior to making cutout.

Warranties: Please see Use & Care manual or Bosch website for statement of limited warranty.

For more information on our entire line of products, go to www.bosch-home.com/us or call 1-800-944-2904

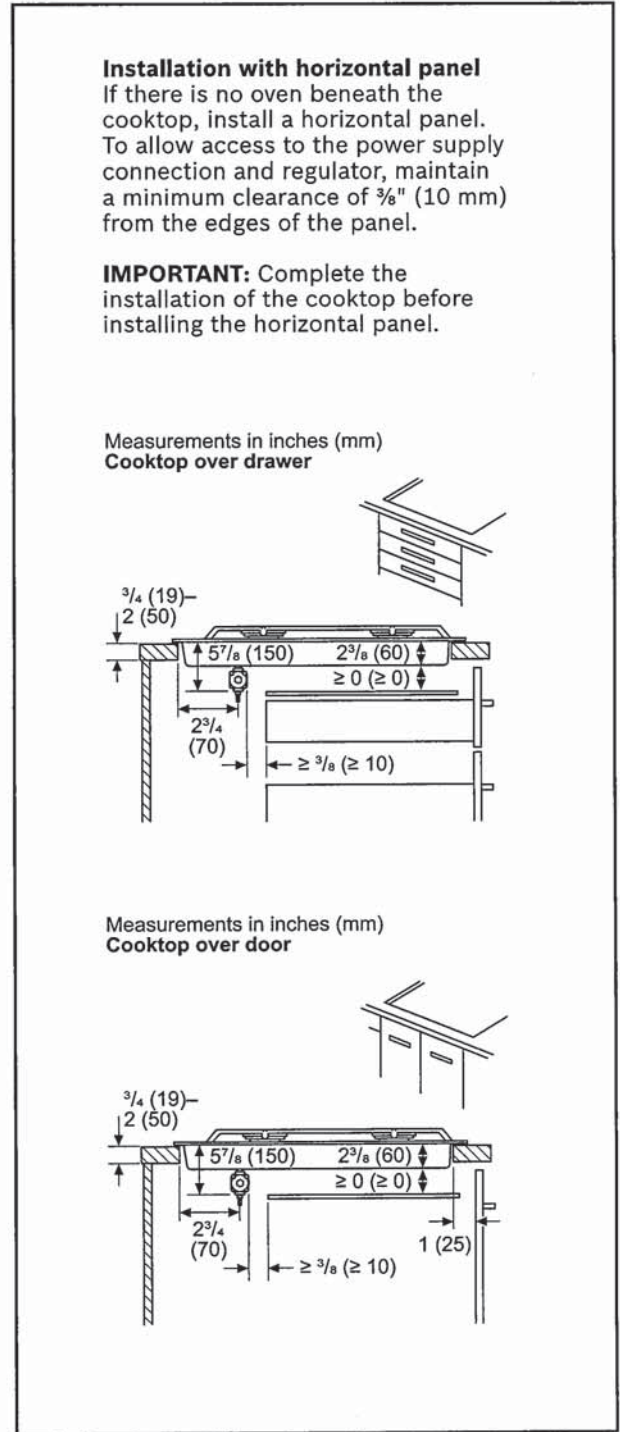
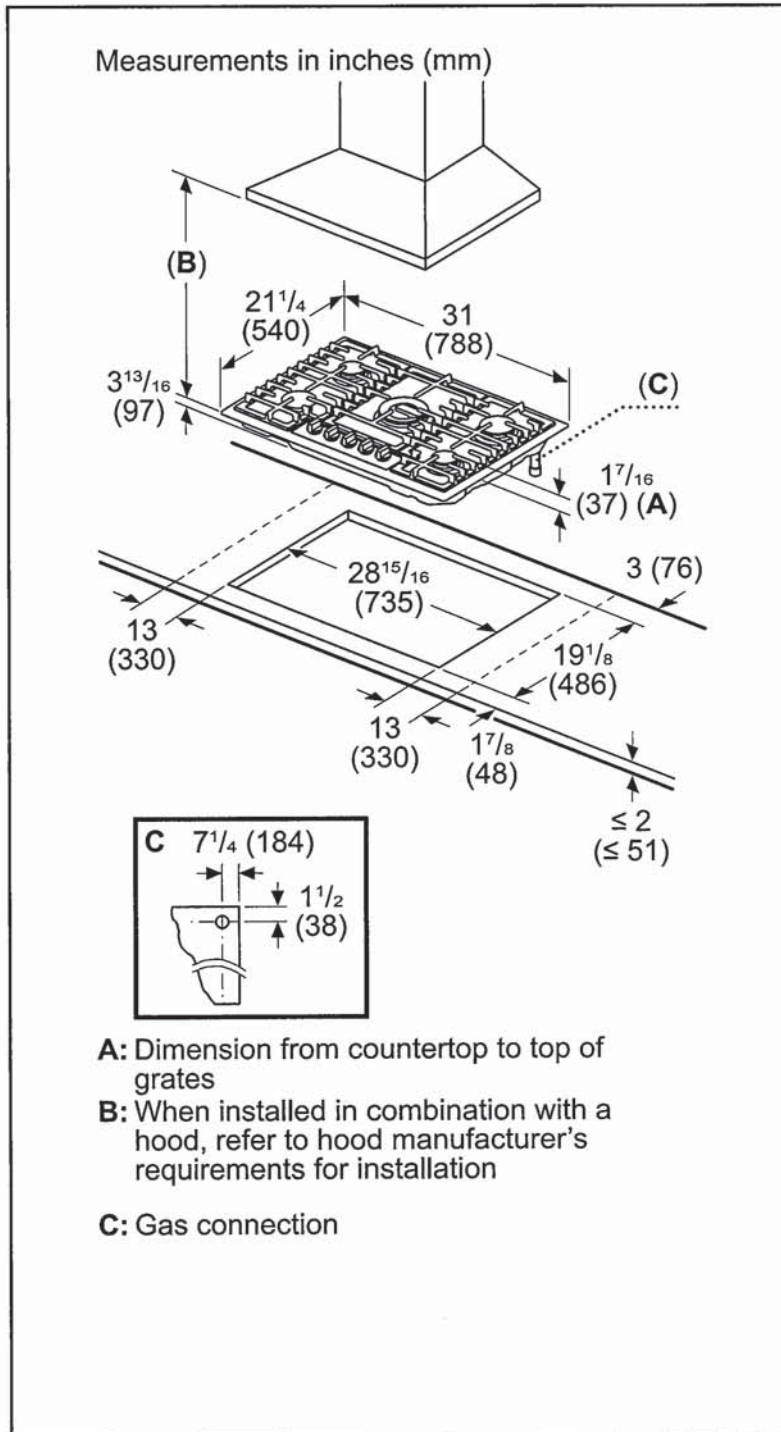
© BSH Home Appliances Corporation. All rights reserved. Bosch is a registered trademark of Robert Bosch GmbH.

30" Gas Cooktop

800 Series – Stainless Steel NGM8058UC



Installation Details



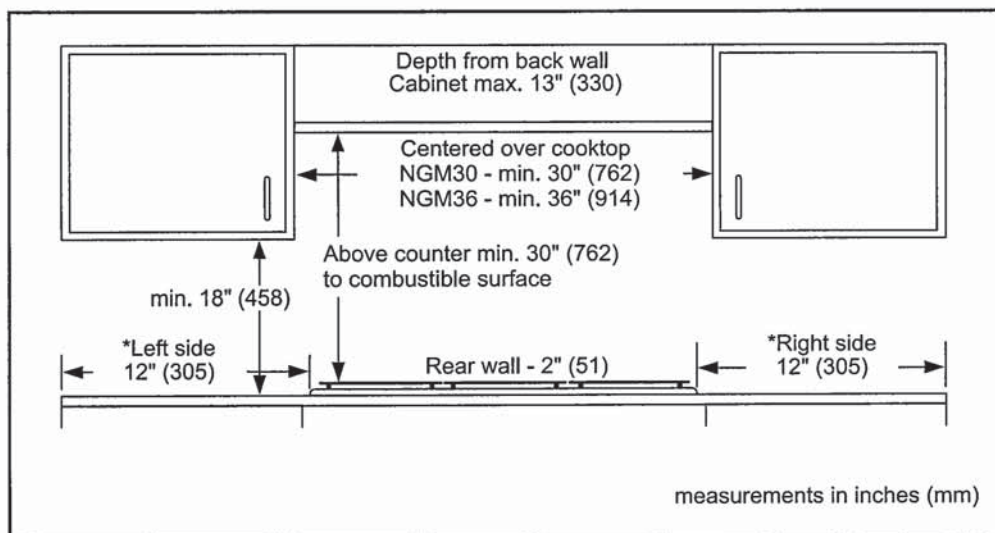
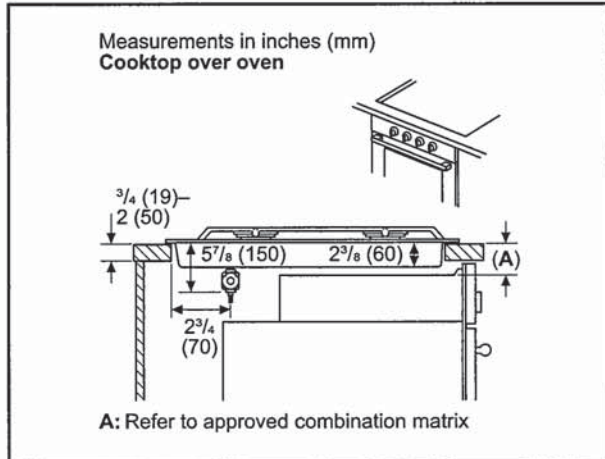
Accessories: To purchase Bosch accessories, cleaners & parts please visit www.bosch-home.com/us/store or call 1-800-944-2904 (Mon to Fri 5 am to 6 pm PST, Sat 6 am to 3 pm PST).
Notes: All height, width and depth dimensions are shown in inches. BSH reserves the absolute and unrestricted right to change product materials and specifications, at any time, without notice. Consult the product's installation instructions for final dimensional data and other details prior to making cutout.
Warranties: Please see Use & Care manual or Bosch website for statement of limited warranty.
For more information on our entire line of products, go to www.bosch-home.com/us or call 1-800-944-2904
 © BSH Home Appliances Corporation. All rights reserved. Bosch is a registered trademark of Robert Bosch GmbH.

30" Gas Cooktop

800 Series – Stainless Steel NGM8058UC



Installation Details



Accessories: To purchase Bosch accessories, cleaners & parts please visit www.bosch-home.com/us/store or call 1-800-944-2904 (Mon to Fri 5 am to 6 pm PST, Sat 6 am to 3 pm PST).
Notes: All height, width and depth dimensions are shown in inches. BSH reserves the absolute and unrestricted right to change product materials and specifications, at any time, without notice. Consult the product's installation instructions for final dimensional data and other details prior to making cutout.
Warranties: Please see Use & Care manual or Bosch website for statement of limited warranty.
For more information on our entire line of products, go to www.bosch-home.com/us or call 1-800-944-2904
 © BSH Home Appliances Corporation. All rights reserved. Bosch is a registered trademark of Robert Bosch GmbH.

FRIGIDAIRE GALLERY



30" Wall Oven and Microwave Combination

Microwave Combination Wall Oven

Available Products: GCWM3067AD, GCWM3067AF

Available Colors: Black Stainless Steel, Stainless Steel

Version: 08/22

Product Specifications

Cooking Controls

Air Fry	Yes
Air Sous Vide	Yes
Bake	Yes
Bake Time	Yes
Bread Proof	Yes
Broil	Yes
Cancel	Yes
Child Lock	Yes
Clear Off	Yes
Clock	Yes
Convection Bake	Yes
Convection Roast	Yes
Cook Time	Yes
Dehydrate	Yes
Delay Clean	Yes
Delay Start	Yes
Fast Preheat	Yes
Keep Warm	Yes
Kitchen Timer	Yes
Light	Yes
My Favorite	Yes
Off	Yes
Oven Light	Yes
Perfect Turkey	Yes
Preheat	Yes
Probe	Yes
Self Clean	Yes
Set Clock	Yes
Slow Cook	Yes
Start	Yes
Start Time	Yes
Steam Bake	Yes
Steam Clean	Yes
Steam Roast	Yes
Stop	Yes
Temperature Display	Yes
Timed Bake	Yes
Timer On / Off	Yes
User Preferences	Yes

Cooking Controls Function

Change between Continuous Bake Setting or 12-Hour	Yes
Energy Saving Feature	Yes
Delayed Bake	Yes
Program Fahrenheit or Celsius	Yes
Silent Control Panel	Yes
Timed Cooking	Yes

Microwave Cooking

Beverage	Yes
Popcorn	Yes
Melt / Soften	Yes
Veggies	Yes
Rice	Yes
Bacon	Yes
Defrost	Yes
Reheat	Yes
Top Grill Mode	Yes
Microwave Cooking Power	1000 Watts

Controls

Control Lock	Yes
Sabbath Mode	Yes

Display

Display Interface Color	White
Display Light Color	White
Display Type	Capacitive Touch
Control Location	Front

30" Wall Oven and Microwave Combination

Microwave Combination Wall Oven

Available Products: GCWM3067AD, GCWM3067AF

Available Colors: Black Stainless Steel, Stainless Steel

Version: 08/22

Oven		Dimensions and Volume	
Bake Element Type	Hidden	Height	41 9/16"
Bake Element Pass	4	Width	30"
Bake Element	2,600 Watts	Depth	25 3/16"
Broil System	Yes	Depth With Door 90° Open	48 3/16"
Broil Element Pass	6	Depth With Handle	27 6/10"
Broil Element	4,000 Watts	Cutout Depth	23 5/8"
Cleaning System	Yes	Oven Interior Height	18 1/8"
Convection	Yes	Oven Interior Width	25 3/16"
Convection Type	Total	Oven Interior Depth	19 7/8"
Convection Element	3,800 Watts	Microwave Interior Height	9 5/16"
Rack Position Type	Embossed	Microwave Interior Width	18 7/8"
Number of Rack Positions	6	Microwave Interior Depth	16 1/8"
Rack Type 1	Handle	Maximum Cutout Height	42"
Rack Type 1 Quantity	2	Maximum Cutout Width	28 3/4"
Rack Type 2	Glide	Minimum Cutout Height	41 1/4"
Rack Type 2 Quantity	1	Minimum Cutout Width	28 1/2"
Oven Interior Color	Midnight Black	Microwave Capacity	1.7 Cu. Ft.
Oven Light Type	Halogen	Oven Capacity	5.3 Cu. Ft.
Oven Light Quantity	2		
Oven Light Watts	40 Watts		
Number of Convection Fans	1		
		Installation	
		Power Supply Connection Location	Top Left
		Certifications and Approvals	
		Star-K Certification	Yes
		Accessories	
		Optional Trim Kit Part Number	WOMC3TRIMSS, WOMC3TRIMDSS
		Optional Air Fry Tray Part Number	FRIGPEREAFT
Convection Cooking			
Convection Cooking - Bake	Yes		
Convection Element	1650 Watts		
Microwave Control Features			
+ 30 Seconds	Yes - One Touch		
Internal Specifications			
Rack	Yes		
Turntable Diameter	14"		
Turntable Material	Glass		
Electrical Specifications			
Amps @ 240 Volts	40 Amps		
Connected Load @ 240V	7.6 kW		
Minimum Circuit Required	40 Amps		
Voltage Rating	240 V		
General Specifications			
Prop 65 Label	Yes		
Warranty - Labor	1 Year		
Warranty - Parts	1 Year		
Frigidaire Fit Promise	Yes		
Safety Certifications and Approvals			
CSA Listed	Yes		
UL Listed	Yes		
RoHS	Yes		

30" Wall Oven and Microwave Combination

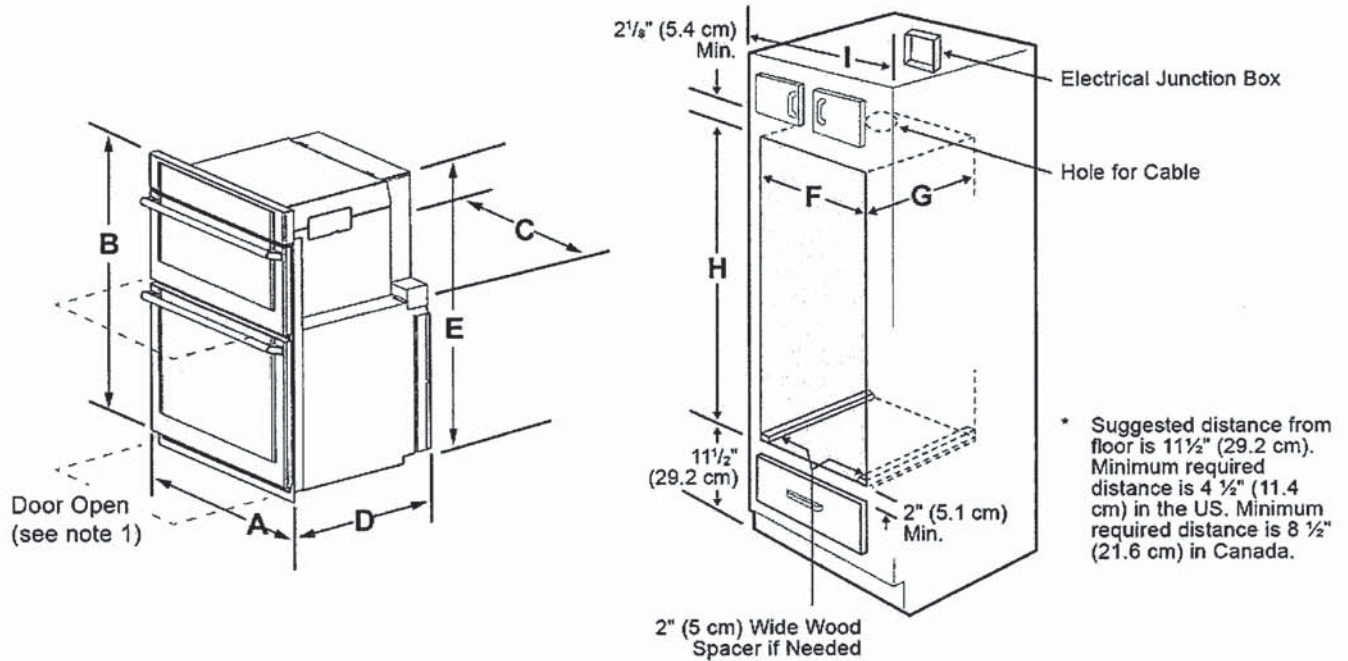
Microwave Combination Wall Oven

Available Products: GCWM3067AD, GCWM3067AF

Available Colors: Black Stainless Steel, Stainless Steel

Version: 08/22

Installation Diagram



NOTES:

1. Allow at least 22" (55.9cm) clearance in front of oven for door depth when it is open.
2. Dimension G (cutout depth) is critical to the proper installation of the built-in oven. If the oven decorative trim does not butt against the cabinet verify dimension G to assure it is the required depth.
3. For a cutout height greater than the maximum (H), add one 2"(5 cm) wide wood shim of appropriate height to each side of the opening under the appliance side rails. A trim kit may be purchased through a dealer, service, or on the brand website.

Figure 1: Product and Cutout Dimensions

PRODUCT DIMENSIONS					
A	B	C	D		E
29 ⁷ / ₈ " (75.9 cm)	41 ¹ / ₁₆ " (105.6 cm)	28 ⁷ / ₁₆ " (72.2 cm)	25 ³ / ₁₆ " (63.9 cm)		40 ⁹ / ₁₆ " (102.9 cm)
CUTOUT DIMENSIONS AND CABINET WIDTH					
F		G. Min.	H		I
Min.	Max.		Min.	Max.	
28 ¹ / ₂ " (72.4 cm)	29" (73.7 cm)	23 ¹ / ₂ " (59.7 cm)	40 ⁵ / ₈ " (103.1 cm)	41 ¹ / ₂ " (105.4 cm)	30 ¹ / ₈ " (76.5 cm) Min