

Sales Selection Sheet
Checklist

1 of 41

LOT 3191A-8 Model: 20-2095 END ALT B The Forbes

PURCHASERS: YASHSANJAY THULA/LAKHBIR, SINGH BOPARAI

VENDOR: Heathwood Homes (Huron) Limited

DECK LOT

- FINISHED BASEMENT
- COLD CELLAR

UPGRADED / MODIFIED ELEVATION

- CORNER UPGRADE
- REAR UPGRADE

CEILING UPGRADE - SMOOTH

- MAIN FLOOR
- SECOND FLOOR
- BASEMENT

ADDITIONAL ROUGH-INS

- 200 AMP SERVICE
- WET BAR ROUGH-IN
- HUMIDIFIER
- AIR CONDITIONING

GAS ROUGH-IN

- STOVE
- DRYER
- BBQ
- ADDITIONAL FIREPLACE

KITCHEN: HOODFAN VENTING SIZE

- 6 IN ROUND DUCT
- 7 IN ROUND DUCT

FULL BASEMENT STAIRS:	Carpet Grade
UPPER BASEMENT STAIRS:	N/A
LOWER BASEMENT STAIRS:	N/A
MAIN STAIRS:	All Oak
MEDIA STAIRS (if applicable):	N/A
LOFT STAIRS (if applicable):	N/A

May 3/23
Date Purchaser: *Signature on file*

May 3/23
Date Decor Consultant: *TINA LEFUR*

Date Purchaser:

05-03-2023

Date Approved: *Signature*
Heathwood Homes (Huron) Limited

Locked Date:

Customer Colours

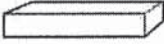
YASHSANJAY THULA/LAKHBIR, SINGH BOPARAI
 Project: Wallaceton
 Unit: 3191A-8, Phase: 3
 Model: 20-2095 END ALT B The Forbes

Created: 3/7/2025 18:21:19

Locked:

Closed:

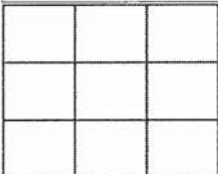
Kitchen

Cabinet Colour/Style	6265	Viking III-MANCHESTER-SHALE GREY CL-MAPLE ***STD***
Countertop	9069	MSI Quartz GROUP 1 ICED WHITE ***STD***
Countertop Edge	4010	SINGLE POLISHED STRAIGHT EDGE 3/4 INCH ***STD*** 
Cabinet Hardware	7667	12881-HARDWARE ***STD***
Island Cabinet Colour/Style	6265	Viking III-MANCHESTER-SHALE GREY CL-MAPLE ***STD***
Island Countertop	9069	MSI Quartz GROUP 1 ICED WHITE ***STD***
Backsplash	1111	N/A *****
Backsplash Grout	1111	N/A *****
Backsplash Tile Pattern	1111	N/A *****
HoodFan	34	AV1308 Air King 30 STAINLESS STEEL UNDER CABINET RANGE HOOD **STD**

PG 28

Comment

Kitchen/Breakfast

Flooring	5589	GE.BY.PEN.1313 New Byzantine Pentalic (Grey) 13 x13 ***STD***
Floor Tile Grout	2225	Grout-(27) Silver ***STD***
Floor Tile Pattern	3000	STANDARD SQUARE ***STD*** 

Comment

Foyer

YASHSANJAY THULA/LAKHBIR, SINGH BOPARAI
Project: Wallaceon
Unit: 3191A-8, Phase: 3
Model: 20-2095 END ALT B The Forbes

Created: 3/6/2025 18:21:19

Locked:

Closed:

Flooring	5589	GE.BY.PEN.1313 New Byzantine Pentallic (Grey) 13 x13 ***STD***									
Floor Tile Grout	2225	Grout-(27) Silver ***STD***									
Floor Tile Pattern	3000	STANDARD SQUARE ***STD*** <table border="1" style="width: 100px; height: 60px; margin-top: 5px;"> <tr><td></td><td></td><td></td></tr> <tr><td></td><td></td><td></td></tr> <tr><td></td><td></td><td></td></tr> </table>									
Comment											

Laundry Room

Flooring	5589	GE.BY.PEN.1313 New Byzantine Pentallic (Grey) 13 x13 ***STD***									
Floor Tile Grout	2225	Grout-(27) Silver ***STD***									
Floor Tile Pattern	3000	STANDARD SQUARE ***STD*** <table border="1" style="width: 100px; height: 60px; margin-top: 5px;"> <tr><td></td><td></td><td></td></tr> <tr><td></td><td></td><td></td></tr> <tr><td></td><td></td><td></td></tr> </table>									
Comment											

Laundry Room Opt.

Cabinet - Uppers	1111	N/A *****
Cabinet Hardware	1111	N/A *****
Comment		

Mud Room

Flooring	5589	GE.BY.PEN.1313 New Byzantine Pentallic (Grey) 13 x13 ***STD***									
Floor Tile Grout	2225	Grout-(27) Silver ***STD***									
Floor Tile Pattern	3000	STANDARD SQUARE ***STD*** <table border="1" style="width: 100px; height: 60px; margin-top: 5px;"> <tr><td></td><td></td><td></td></tr> <tr><td></td><td></td><td></td></tr> <tr><td></td><td></td><td></td></tr> </table>									

YASHSANJAY THULA/LAKHBIR, SINGH BOPARAI
Project: Wallaceton
Unit: 3191A-8, Phase: 3
Model: 20-2095 END ALT B The Forbes

Created: 3/6/2025 18:21:19

Locked:

Closed:

Comment

Powder Room

Flooring

5589

GE.BY.PEN.1313 New Byzantine Pentallic (Grey) 13 x13
STD

Floor Tile Grout

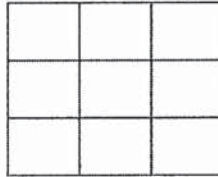
2225

Grout-(27) Silver ***STD***

Floor Tile Pattern

3000

STANDARD SQUARE ***STD***



Plumbing Fixture (Colour)

1737

Plumbing Fixtures-WHITE ***STD***

Comment

Hall

Flooring

5589

GE.BY.PEN.1313 New Byzantine Pentallic (Grey) 13 x13
STD

Grout

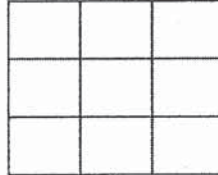
2225

Grout-(27) Silver ***STD***

Floor Tile Pattern

3000

STANDARD SQUARE ***STD***



Comment

Great Room

Flooring

7498

Red Oak Pearl-Vintage
Engineered-GRYPHON/IRONGATE-3/4 inch x 3 1/4 inch

Comment

Upper Hall

Flooring

9507

DY 89418-MINOTAUR-BLACK ICE-40 oz Poly ***STD***

Comment

YASHSANJAY THULA/LAKHBIR, SINGH BOPARAI
Project: Wallaceston
Unit: 3191A-8, Phase: 3
Model: 20-2095 END ALT B The Forbes

Created: 3/6/2025 18:21:19
Locked:
Closed:

Finished Basement (Rec) Room/Hall

Flooring 9507 DY 89418-MINOTAUR-BLACK ICE-40 oz Poly ***STD***

Comment

Master Bedroom

Flooring 9507 DY 89418-MINOTAUR-BLACK ICE-40 oz Poly ***STD***

Comment

Bedroom 2

Flooring 9507 DY 89418-MINOTAUR-BLACK ICE-40 oz Poly ***STD***

Comment

Bedroom 3

Flooring 9507 DY 89418-MINOTAUR-BLACK ICE-40 oz Poly ***STD***

Comment

Bedroom 4

Flooring 9507 DY 89418-MINOTAUR-BLACK ICE-40 oz Poly ***STD***

Comment

Ensuite 2

Cabinet Colour/Style 9156 Viking III-SIMCOE-RAIN CLOUD-3DL ***STD***

Countertop 8796 6698-46-Countertop-PALOMA POLAR ETCHINGS

Customer Colours

YASHSANJAY THULA/LAKHBIR, SINGH BOPARAI
 Project: Wallaceon
 Unit: 3191A-8, Phase: 3
 Model: 20-2095 END ALT B The Forbes

Created: 3/6/2025 18:21:19

Locked:

Closed:

FINISH-Formica ***STD***											
Countertop Edge	1111	N/A *****									
Cabinet Hardware	2076	181-HARDWARE ***STD***									
Floor Tile	5589	GE.BY.PEN.1313 New Byzantine Pentallic (Grey) 13 x13 ***STD***									
Floor Tile Grout	2225	Grout-(27) Silver ***STD***									
Floor Tile Pattern	3000	STANDARD SQUARE ***STD*** <table border="1" style="width: 100px; height: 60px; margin-top: 5px;"> <tr><td> </td><td> </td><td> </td></tr> <tr><td> </td><td> </td><td> </td></tr> <tr><td> </td><td> </td><td> </td></tr> </table>									
Plumbing Fixture (colour)	1737	Plumbing Fixtures-WHITE ***STD***									
Tub Wall Tile	9020	QT.WV.WHT.0810-Weave-White-8 x 10 ***STD***									
Tub Wall Tile Grout	2226	Grout-(00) White ***STD***									
Tub Wall Tile Pattern	3070	HORIZONTAL STACKED ***STD*** <table border="1" style="width: 100px; height: 60px; margin-top: 5px;"> <tr><td> </td><td> </td></tr> <tr><td> </td><td> </td></tr> <tr><td> </td><td> </td></tr> <tr><td> </td><td> </td></tr> </table>									
Comment											

Master Ensuite

Cabinet Colour/Style	9157	Viking III-SIMCOE-MOONLIGHT-3DL ***STD***									
Countertop	8822	4924-38-Countertop-WHITE CARRARA-Wilsonart ***STD***									
Countertop Edge	1111	N/A *****									
Cabinet Hardware	2076	181-HARDWARE ***STD***									
Floor Tile	9255	TR.SP.WHITE.1313 SEMPRE White Matte 13 x 13 ***STD***									
Floor Tile Grout	2225	Grout-(27) Silver ***STD***									
Floor Tile Pattern	3000	STANDARD SQUARE ***STD*** <table border="1" style="width: 100px; height: 60px; margin-top: 5px;"> <tr><td> </td><td> </td><td> </td></tr> <tr><td> </td><td> </td><td> </td></tr> <tr><td> </td><td> </td><td> </td></tr> </table>									

YASHSANJAY THULA/LAKHBIR, SINGH BOPARAI
 Project: Wallaceon
 Unit: 3191A-8, Phase: 3
 Model: 20-2095 END ALT B The Forbes

Created: 3/6/2025 18:21:19
 Locked:
 Closed:

Shower Floor Tile	8661	OD.ON.SWT.0202.MT.N-Ontario Series Mosaic-Snow White Matte-2 x 2 ***STD***										
Shower Floor Tile Grout	2226	Grout-(00) White ***STD***										
Shower Floor Tile Pattern	3000	STANDARD SQUARE ***STD***										
		<table border="1"> <tr><td></td><td></td><td></td></tr> <tr><td></td><td></td><td></td></tr> <tr><td></td><td></td><td></td></tr> </table>										
Shower Wall Tile	5411	QT.SP.WHT.0810-Splendour-White-8 inch x 10 inch ***STD***										
Shower Wall Tile Grout	2226	Grout-(00) White ***STD***										
Shower Wall Tile Pattern	3070	HORIZONTAL STACKED ***STD***										
		<table border="1"> <tr><td></td><td></td></tr> <tr><td></td><td></td></tr> <tr><td></td><td></td></tr> <tr><td></td><td></td></tr> </table>										
Shower Jamb(s) and Sill(s)	8923	Shower Jamb / Sill-Thassos White ***STD***										
Plumbing Fixture (colour)	1737	Plumbing Fixtures-WHITE ***STD***										
Comment	<div style="border: 1px solid black; height: 30px;"></div>											

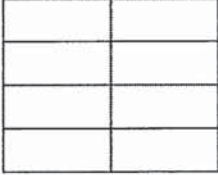
Main Bathroom

Cabinet Colour/Style	9111	Viking III-SIMCOE ORCHID 3DL ***STD***										
Countertop	8796	6698-46-Countertop-PALOMA POLAR ETCHINGS FINISH-Formica ***STD***										
Countertop Edge	1111	N/A *****										
Cabinet Hardware	2076	181-HARDWARE ***STD***										
Flooring	9071	GE.BY.AZR.1313 New Byzantine Azzuro 13x13 ***STD***										
Floor Tile Grout	2225	Grout-(27) Silver ***STD***										
Floor Tile Pattern	3000	STANDARD SQUARE ***STD***										
		<table border="1"> <tr><td></td><td></td><td></td></tr> <tr><td></td><td></td><td></td></tr> <tr><td></td><td></td><td></td></tr> </table>										
Wall Tile	5420	QT.SP.DGR.0810-Splendour-Dark Grey-8 inch x 10 inch										

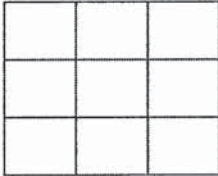
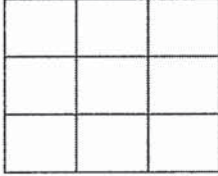
Customer Colours

YASHSANJAY THULA/LAKHBIR, SINGH BOPARAI
 Project: Wallaceon
 Unit: 3191A-8, Phase: 3
 Model: 20-2095 END ALT B The Forbes

Created: 3/6/2025 18:21:19
 Locked:
 Closed:

Wall Tile Grout	2226	Grout-(00) White ***STD***
Main Bathroom Tile Pattern	3070	HORIZONTAL STACKED ***STD*** 
Plumbing Fixture (Colour)	1737	Plumbing Fixtures-WHITE ***STD***
Comment		

Finished Basement Bathroom

Cabinet Colour/Style	9158	Viking III-SIMCOE-NAVY BLUE-3DL ***STD***
Countertop	8796	6698-46-Countertop-PALOMA POLAR ETCHINGS FINISH-Formica ***STD***
Countertop Edge	1111	N/A *****
Cabinet Hardware	2076	181-HARDWARE ***STD***
Flooring	9071	GE.BY.AZR.1313 New Byzantine Azzuro 13x13 ***STD***
Floor Tile Grout	2225	Grout-(27) Silver ***STD***
Floor Tile Pattern	3000	STANDARD SQUARE ***STD*** 
Shower Floor Tile	8661	OD.ON.SWT.0202.MT.N-Ontario Series Mosaic-Snow White Matte-2 x 2 ***STD***
Shower Floor Tile Grout	2226	Grout-(00) White ***STD***
Shower Floor Tile Pattern	3000	STANDARD SQUARE ***STD*** 
Shower Wall Tile	9020	QT.WV.WHT.0810-Weave-White-8 x 10 ***STD***
Shower Wall Tile Grout	2226	Grout-(00) White ***STD***
Shower Wall Tile Pattern	3070	HORIZONTAL STACKED ***STD***

Customer Colours

YASHSANJAY THULA/LAKHBIR, SINGH BOPARAI
 Project: Wallaceton
 Unit: 3191A-8, Phase: 3
 Model: 20-2095 END ALT B The Forbes

Created: 3/6/2025 18:21:19
 Locked:
 Closed:

Shower wall Tile Pattern	3070	HORIZONTAL STACKED STD								
		<table border="1"> <tr><td></td><td></td></tr> <tr><td></td><td></td></tr> <tr><td></td><td></td></tr> <tr><td></td><td></td></tr> </table>								
Shower Jamb(s)	8923	Shower Jamb / Sill-Thassos White ***STD***								
Plumbing Fixture (Colour)	1737	Plumbing Fixtures-WHITE ***STD***								
Comment										

Great Room Fireplace

Type	8865	Dimplex-Electric Fireplace-PF3033HL ***STD***
Mantle	8891	NF-17-Paint Grade Mantle- Cabinet (Per Plan)-WHITE ***STD***
Surround Opt.	1111	N/A *****
Comment		

PG 18

Basement Stairs

Type	1711	Carpet Grade Stairs ***OPT. FINISHED BASEMENT***
Colour	7912	Irongate (Gryphon) STAIN TO COMPLIMENT HARDWOOD AND WILL VARY FROM FLOORING
Carpet Runner	1111	N/A *****
Handrail/Pickets/Post Type	9119	Handrail only on closed walls (one or two sides per building code) ***STD***
Handrail/Pickets/Post Colours	1729	Carpet Grade-Stain handrail, pickets, stringers, nosing_pos
Carpet	9507	DY 89418-MINOTAUR-BLACK ICE-40 oz Poly ***STD***
Custom Stain/Paint	1111	N/A *****
Comment		

Basement Stairs Landings (Upper and Lower)

Flooring	1111	N/A *****
----------	------	-----------

YASHSANJAY THULA/LAKHBIR, SINGH BOPARAI
Project: Wallaceton
Unit: 3191A-8, Phase: 3
Model: 20-2095 END ALT B The Forbes

Created: 3/6/2020 18:21:19

Locked:

Closed:

Comment

Main Stairs

Type	1714	Oak Stairs ***STD MAIN STAIRS***
Colour	7912	Irongate (Gryphon) STAIN TO COMPLIMENT HARDWOOD AND WILL VARY FROM FLOORING
Carpet Runner	1111	N/A *****
Handrail/Pickets/Posts Type	7652	1 5/16 inch Square pickets with 3 1/2? Square/Cap Post(s)-ALL OAK ***STD***
Handrail/Pickets/Posts Colour	1728	Oak Grade-Stain handrail,oak pickets,stringers,treads,risers
Custom Stain/Paint	1111	N/A *****

Comment

Main Stairs Landing(s) (Lower)

Flooring	1111	N/A *****
----------	------	-----------

Comment

Throughout

Walls - Paint Colour	1717	22-Wall-WARM GREY ***STD***
Underpad	1079	500 Series-Underpad ***STD***
Thresholds	2232	Metal Thresholds ***STD***
Switches and Plug	5796	Decora White Switches and Plugs ***STD***
Trim Size	8705	4 1/4 Baseboard and 2 3/4 Casings ***STD***
Trim - Paint Colour	1716	Trim-WHITE ***STD***

Purchaser:

YASHSANJAY THULA

Mar 9 2023

Date

Decor Consultant

03/08/20

Date

Customer Colours

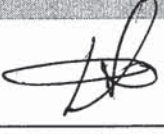

11 of 41 ⁶¹⁵

YASHSANJAY THULA/LAKHBIR, SINGH BOPARAI
Project: Wallaceton
Unit: 3191A-8, Phase: 3
Model: 20-2095 END ALT B The Forbes

Created: 3/6/2023 18:21:19

Locked:

Closed:

Purchaser:	 _____	<u>3/9/23</u> Date	 _____	<u>-05- 03 2023</u> Date Approved
	LAKHBIR, SINGH BOPARAI		Wallaceton	



CONSTRUCTION SUMMARY

Lot: 3191A-8

Model: 20-2095 END ALT B The Forbes

Project/Phase: Wallaceton / 3

Offer Worksheet	Five Appliances: SS Fridge, Stove, Dishwasher: White Front Loader Washer/Dryer - Townhomes Note:
-----------------	---

Offer Worksheet	The Purchaser(s) acknowledge that they have NOT been referred by an existing Heathwood Homeowner and therefor are not entitled to a referral fee under Heathwood Homes Referral program. Note:
-----------------	---



CONSTRUCTION SUMMARY

Lot: 3191A-8
Model: 20-2095 END ALT B The Forbes
Project/Phase: Wallaceton / 3

ELECTRICAL

Invoice	Qty.	Description
1330 314,224 03May23	2	- ELECTRICAL - CEILING ROUGH-IN (CAPPED) INCLUDING SWITCH 1X CENTERED +/- ON GREAT ROOM CEILING ON OWN SWITCH; 1X CENTERED +/- ON ISLAND ON OWN SWITCH. SKETCH # 2
1330 314,232 03May23	1	GREAT ROOM - ELECTRICAL - EXTRA WALL INTERIOR OUTLET ON EXISTING CIRCUIT (DOES NOT INCLUDE KITCHEN OUTLETS) GREAT ROOM - CENTERED +/- ABOVE FIREPLACE APPROX. 70" +/- FROM FLOOR. SKETCH # 2

THE FORBES

ELEVATION B | 2,720 SQ. FT.

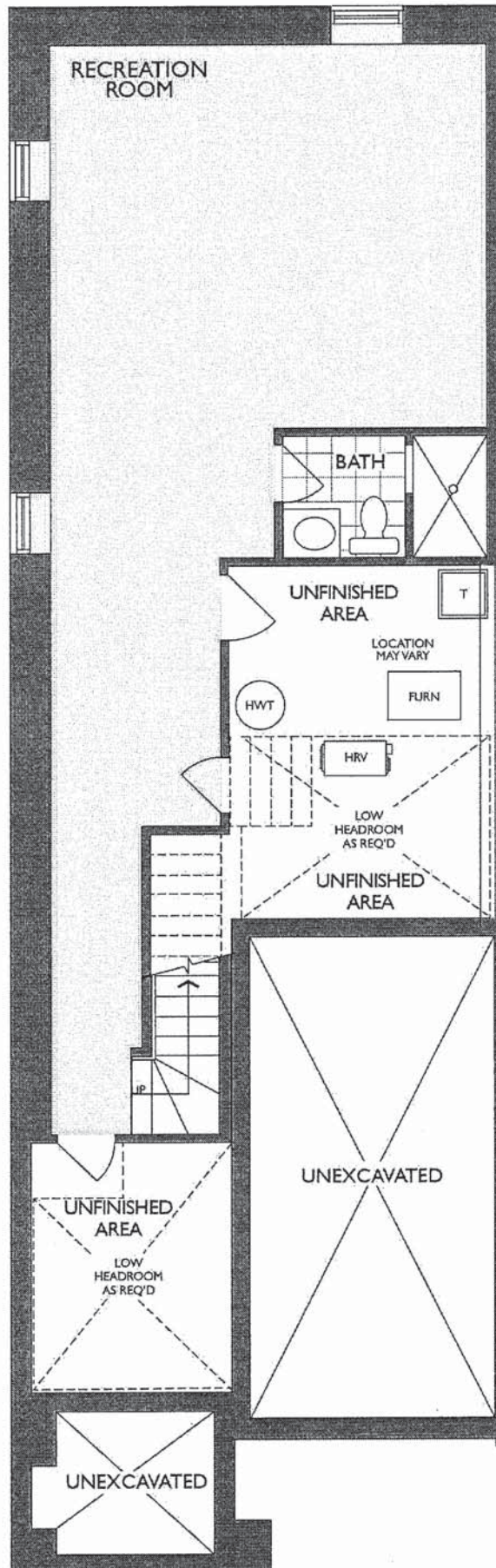
Includes 638 sq. ft. of Finished Lower Level

WALLACETON

EST. 1870

Sketch #1

20-2095 END ALT ELEV. B



LOWER LEVEL
ELEVATION A & B

* Floor plan may vary due to grading conditions.

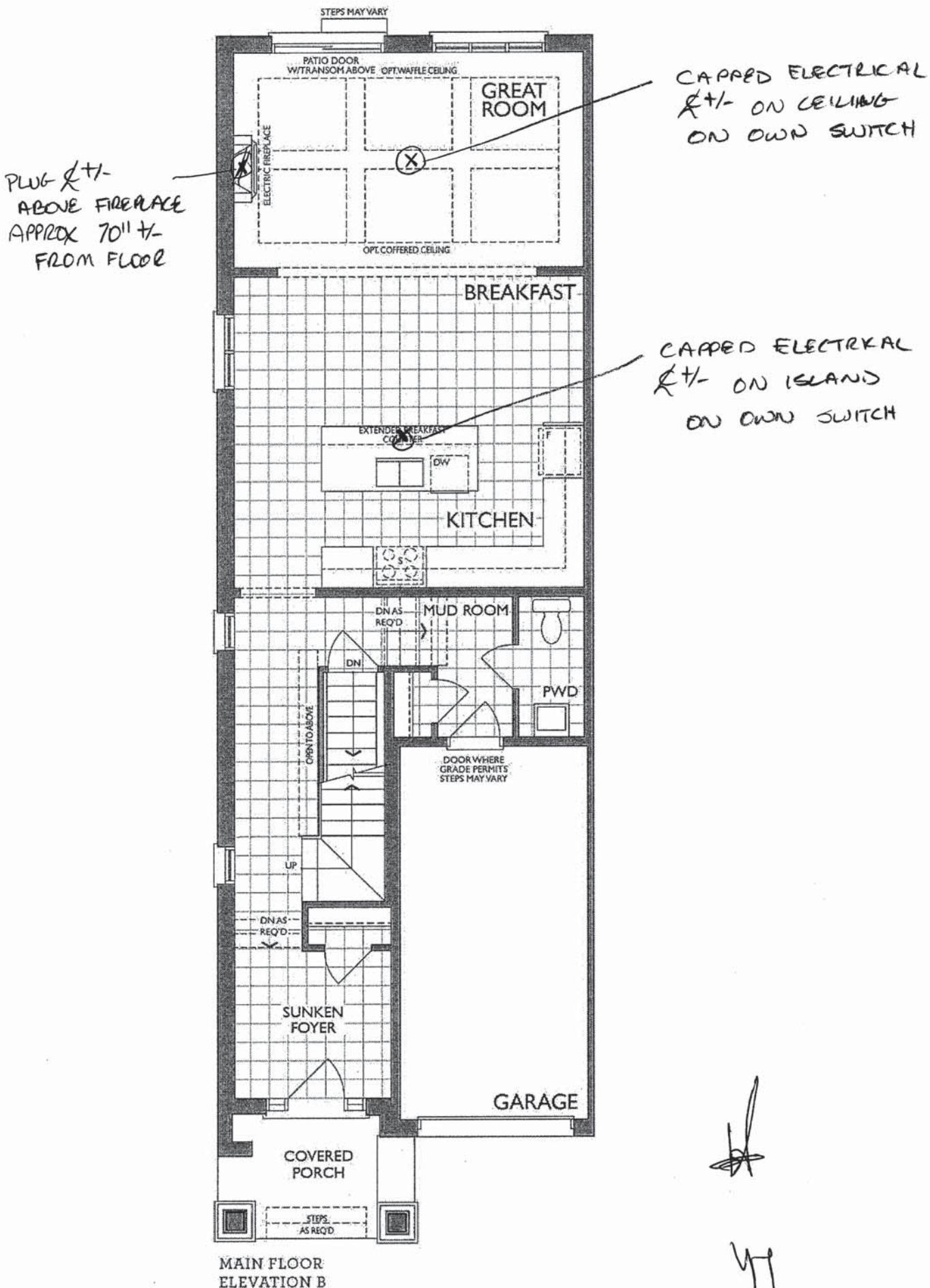
THE FORBES

ELEVATION B | 2,720 SQ. FT.
 Includes 638 sq. ft. of Finished Lower Level

WALLACETON
 EST. 1870

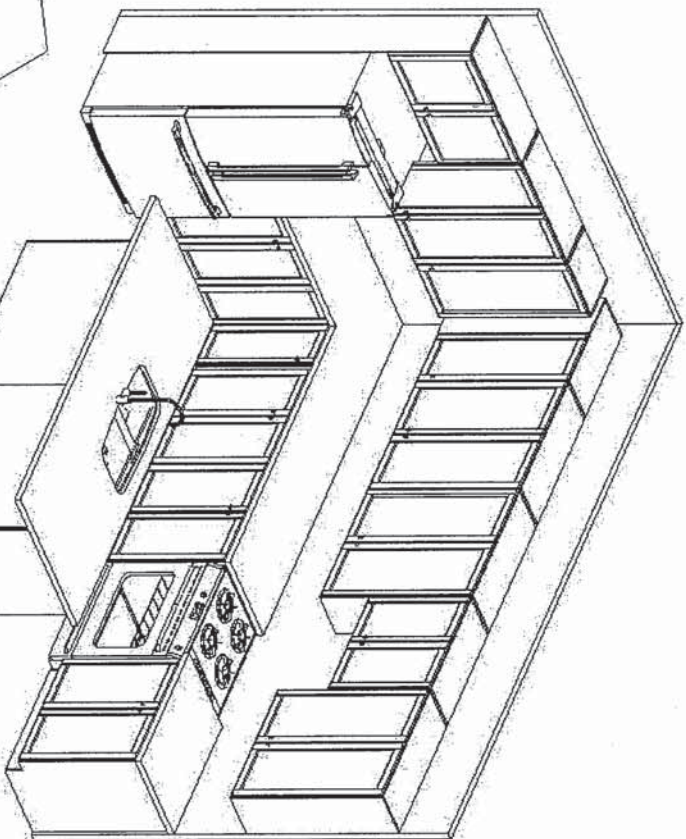
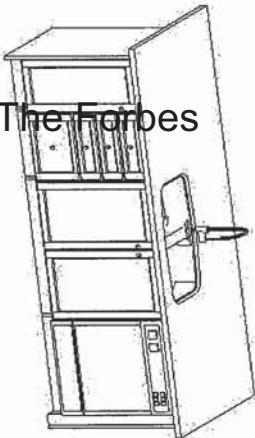
Sketch #2

20-2095 END ALT ELEV. B

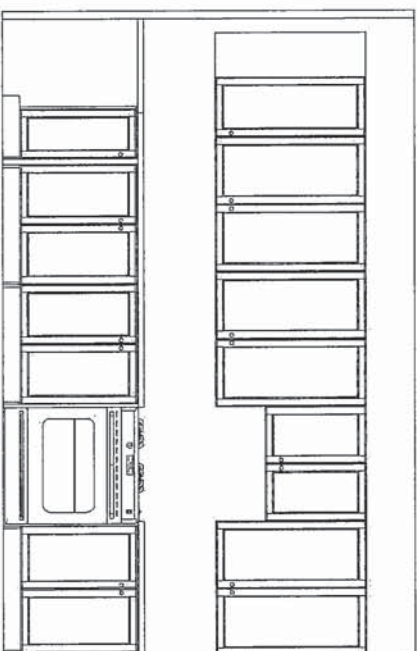
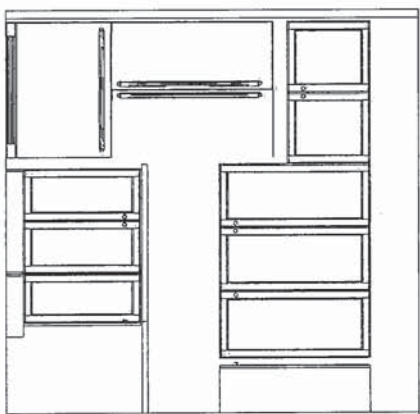


MAIN FLOOR
 ELEVATION B

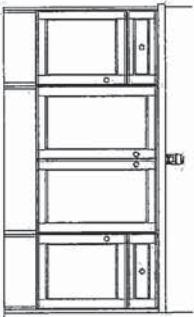
* Floor plan may vary due to grading conditions.



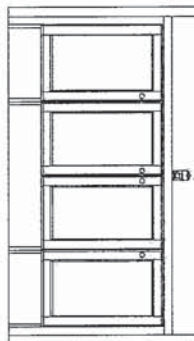
(2005 END) ALTERNATE 2ND FLOOR



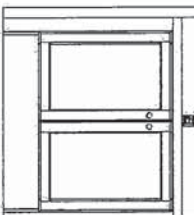
MASTER ENSUITE
(2ND FLR)



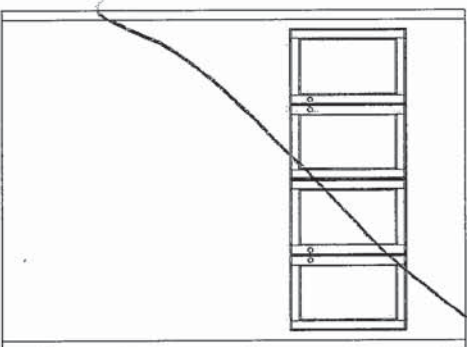
MAIN BATH
(2ND FLR)



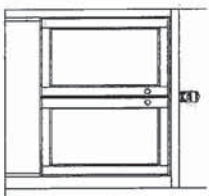
BATH
(2ND FLR)



OPT. LAUNDRY UPPERS
(2ND FLR)



STD. BASEMENT BATH



FRENDEL*
KITCHENS LIMITED
1350 Shawson Drive, Mississauga, ON L4W 1C5

HEATHWOOD HOMES
WALLACETON, KITCHENER ON
MODEL: 20-2095 (ALT 2005 END)

STANDARD CONTRACT INCLUDES:

Appliance Openings

- Hood Opening: 30" W Std. hood
- Fridge Opening: 37 3/8" W X 73 3/8" H
- 30cm deep cabinet over fridge
- Stove Opening: 30" Freestanding
- Dishwasher Opening: 24"

Standard Kitchens Scope:

- 100cm H wall cabinets
- Std. Blumotion Hinges- **soft close**
- Std. Metabox Drawers- **not soft close**
- Min 40cm W drawer
- Base pie cut corner cabinets
- Backing on all cabinets
- Countertop by others
- Upgrade applied paneled fridge & dishwashers supply only (appliance hardware by others)

Standard Vanity & Laundry Scope:

- Powder by others, pedestal
- All vanities include laminate counter
- Std. Blum Hinges- **not soft close**
- Metabox Drawers- **not soft close**
- Master Ensuite: Top drawers (Full height doors at sink)
- Mains: Full height doors (top drawers added if Masters can't accommodate)
- Optional laundry base & wall cabinets

THE FORBES

ELEVATION B | 2,720 SQ. FT.

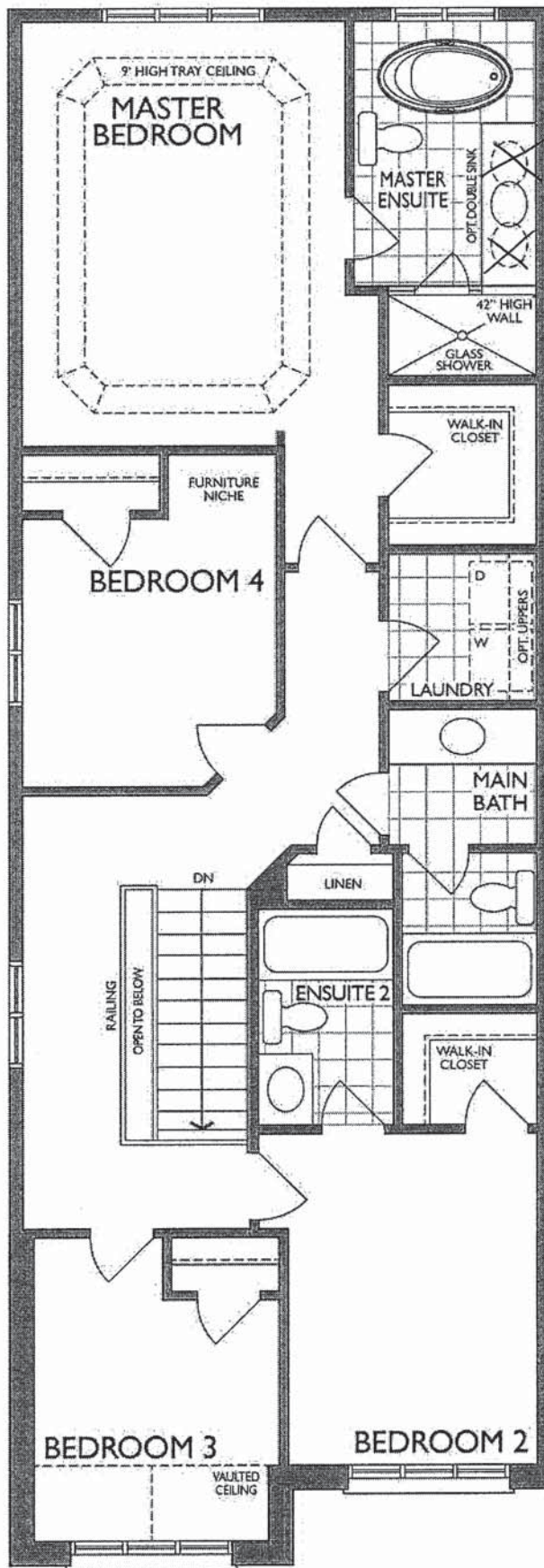
Includes 638 sq. ft. of Finished Lower Level

WALLACETON

EST. 1870

Sketch # 4

20-2095 END ALT ELEV. B



ALT. SECOND FLOOR
ELEVATION B

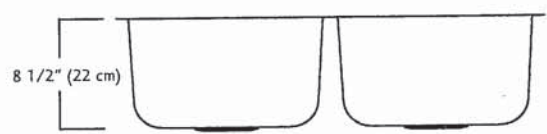
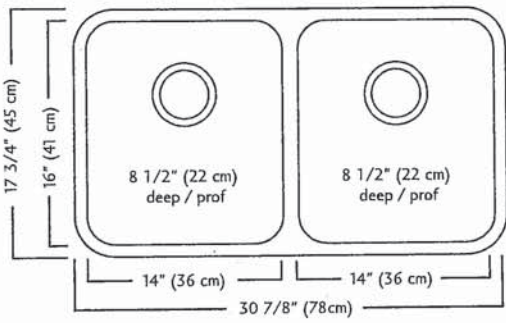
* Floor plan may vary due to grading conditions.



NEAS NE17 Mantel

47

47



ND1831UA/9 SPECIFICATION

Model ND1831UA/9 is a double (two equal size) bowl undermount sink manufactured by Franke Kindred Canada Limited from 18 gauge stainless steel. Product has silk finished rims and linear brush finished bowls. Sink is fully undercoated. Basket strainer waste fittings (3 1/2", 89 mm) are included. Sink is backed with a limited lifetime warranty.

- O.D. 17 3/4" x 30 7/8" x 8 1/2" (45 x 78 x 22 cm)
- Recommended for minimum 36" cabinet

Franke Kindred Canada Limited
 P.O. Box 190, 1000 Franke Kindred Road, Midland, Ontario, Canada, L4R 4K9 Phone: 866-687-7465 Fax: 800-361-8408

Plumbing Fixture / Kitchen Sinks 15410

Franke Kindred Canada Limited Printed in Canada 1117



Specifications

FAUCET DESCRIPTION

- Reflex™ pulldown system offers smooth operation, easy movement and secure docking
- Power Clean™ spray technology
- Metal construction with various finishes identified by suffix
- Quick connect installation
- Pulldown spray with 68" braided hose
- Flexible supply lines with 3/8" compression fittings
- High arc spout provides height and reach to fill or clean large pots while pulldown wand provides the maneuverability for cleaning or rinsing
- 360° rotating spout
- Faucet designed for handle to be mounted on right side only

OPERATION

- Lever style handle
- Temperature controlled by 100° arc of handle travel
- Operates with less than 5 lbs. of force
- Operates in stream or spray mode in the pullout or retracted position

FLOW

- Flow is limited to 1.5 gpm (5.7 L/min) max at 60 psi

CARTRIDGE

- 1255™ Duralast™ cartridge

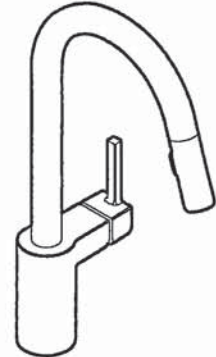
STANDARDS

- Third party certified to IAPMO Green, ASME A112.18.1/CSA B125.1 and all applicable requirements therein including NSF 61/9G & 372
- Meets CalGreen and Georgia SB370 requirements
- Complies with California Proposition 65 and with the Federal Safe Drinking Water Act
- The backflow protection system in the device consists of two independently operating check valves, a primary and a secondary which prevent backflow

- ADA for lever handle

WARRANTY

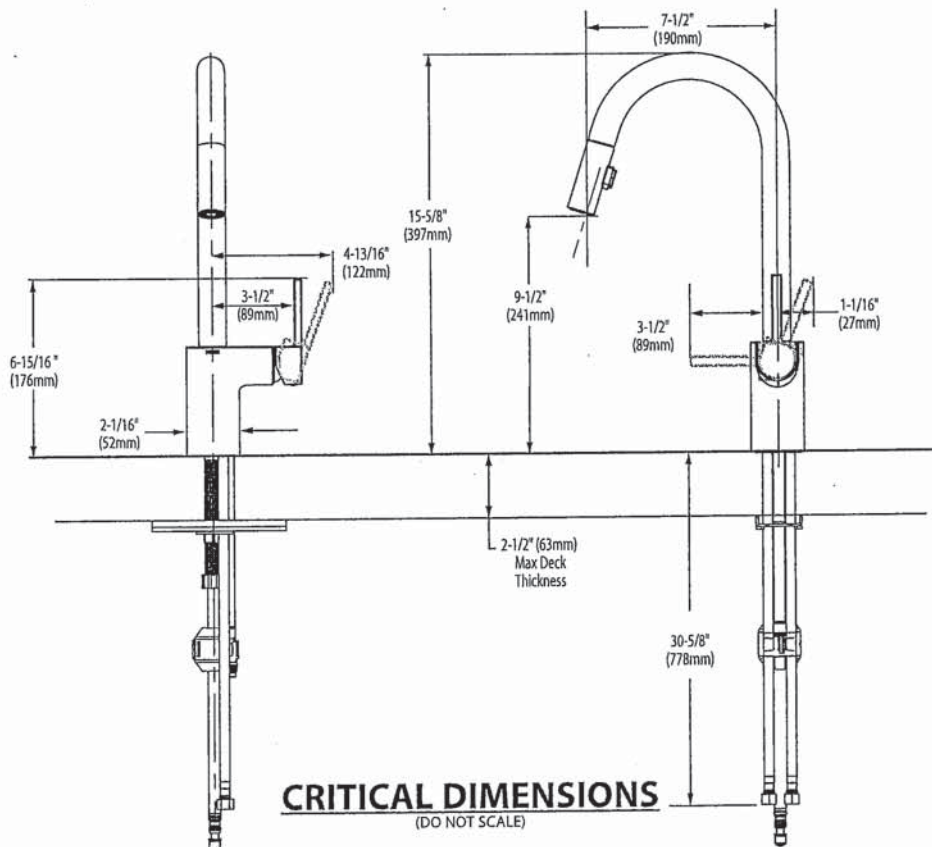
- Lifetime limited warranty against leaks, drips and finish defects to the original homeowner
 - 10 year limited warranty when used in a multifamily installation
 - 5 year limited warranty when used in a commercial installation
- Visit www.moen.com/support for complete details and limitations



ALIGN™
 Single Handle High Arc
 Pulldown Kitchen Faucet

Models: 7565 series

NOTE: THIS FAUCET IS DESIGNED TO BE INSTALLED THROUGH 1 HOLE, 1-1/2" (38mm) MIN. DIA. (OPTIONAL 3-HOLE ESCUTCHEON 141002 AVAILABLE)



FOR MORE INFORMATION CALL: 1-800-BUY-MOEN

www.moen.com

[Handwritten signature and number 47]

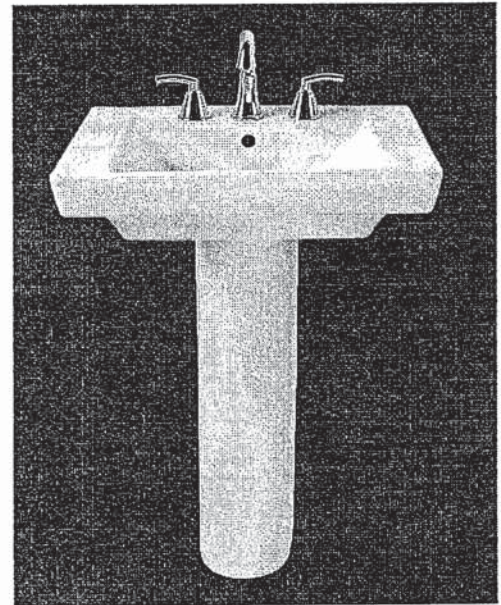


BARRIER FREE (ABOVE COUNTER OR DROP-IN ONLY)

BOULEVARD®
PEDESTAL SINK
VITREOUS CHINA

BOULEVARD® PEDESTAL SINK

- STD
- 0641.800 Faucet holes on 8" (203mm) centers (Illustrated)
 - 0641.400 Faucet holes on 4" (102mm) centers
 - 0641.100 Center hole only
 - Classic styled rectangular pedestal lavatory
 - Vitreous china
 - Rear overflow
 - Supplied with mounting kit
 - Right Height® for greater comfort during use
 - Faucet ledge with large deck area (faucet not included)
 - **Design coordinates with Boulevard® Toilet**
 - Basin has flat bottom to also allow use as an **above counter** sink or a **drop-in** sink (with u-shaped cut out)



Nominal Dimensions:

24" x 19" x 35-1/2"
(610 x 483 x 902mm)

- 0641.008 Pedestal top-8" (203mm) centers
- 0641.004 Pedestal top-4" (102mm) centers
- 0641.001 Pedestal top-center hole only
- 0010.000 Pedestal only

SEE REVERSE FOR ROUGHING-IN DIMENSIONS

Bowl sizes:

17" (432mm) wide,
12-1/2" (318mm) front to back,
5" (127mm) deep

Compliance Certifications -

Meets or Exceeds the Following Specifications:

- ASME A112.19.2 - 2008/CSA B45.1-08

To Be Specified:

- Color: White Linen
- Faucet Finish:
- Supplies:
- 1-1/4" Trap:
- Nipple:

* See faucet section for additional models available

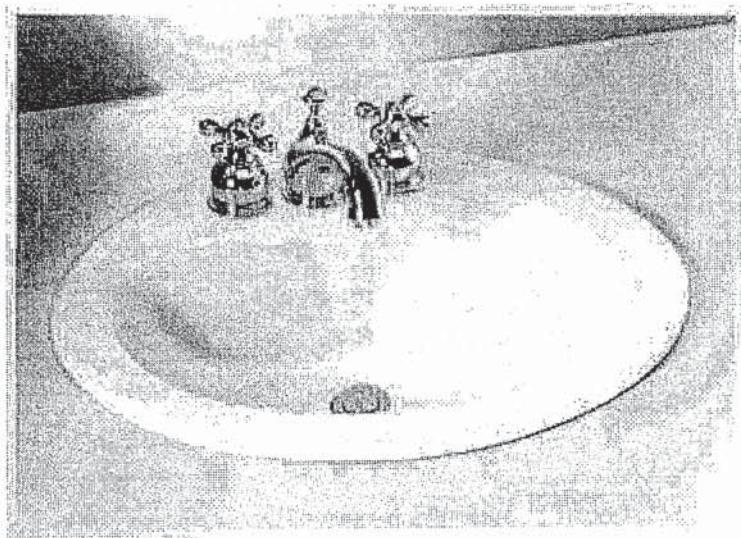
American Standard

BARRIER FREE

**COLONY™
 COUNTERTOP SINK**
 VITREOUS CHINA

COLONY COUNTERTOP SINK

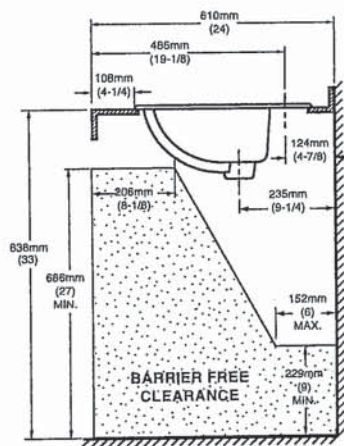
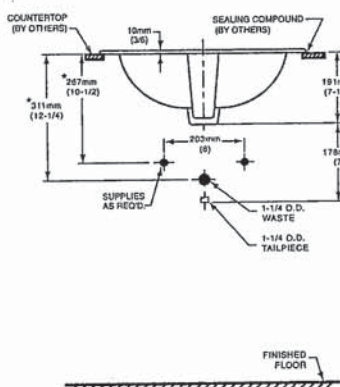
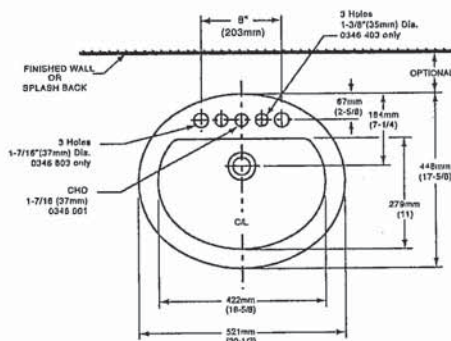
- Vitreous china
- Self-rimming
- Front overflow
- Supplied with template
- Faucet deck
 (Faucet shown not included)



- 0346 803
 Faucet holes on 203mm (8") centres
- 0346 403 (Illustrated)
 Faucet holes on 102mm (4") centres
- 0346 001
 Centre hole only

Nominal Dimensions:
 521 x 448mm (20-1/2" x 17-5/8")

Bowl sizes:
 422mm (16-5/8") wide, 279mm (11") front to back, 143mm (5-5/8") deep



COMPLIANCE CERTIFICATIONS –
 Meets or exceeds the following Specifications:
 • ASME A112.19.2M for Vitreous China Fixtures.
 • CAN/CSA B45 Series.

To Be Specified

- Colour: White Bone Silver Gray
 Linen
- Faucet*:
- Faucet Finish:
- Supplies & Stops:
- Trap 1-1/4" (32 mm):

NOTES:
 * DIMENSIONS SHOWN FOR LOCATION OF SUPPLIES AND "P" TRAP ARE SUGGESTED. FOR COUNTERTOP CUTOUT AND INSTALLATION INSTRUCTIONS USE TEMPLATE SUPPLIED WITH SINK.
 FAUCETS NOT INCLUDED AND MUST BE ORDERED SEPARATELY.
 IMPORTANT: Dimensions of fixtures are nominal and may vary within the range of tolerances established by ANSI Standard A112.19.2.
 These measurements are subject to change or cancellation. No responsibility is assumed for use of superseded or voided pages.

* See faucet section for additional models available



DEMI™ Product Specification Sheet

Two Piece Freestanding Collection



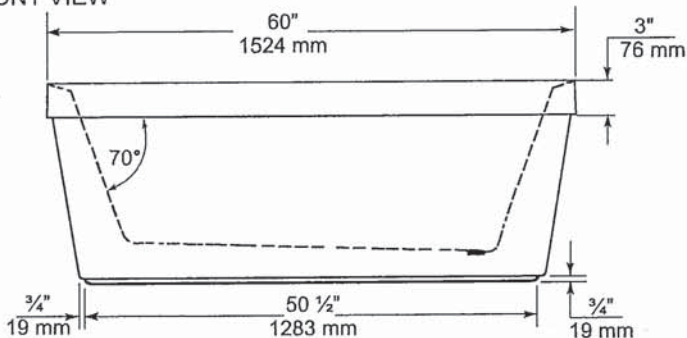
CF2007	Two Piece Freestanding Soaker
Size:	60" x 32" x 22" 1524 mm x 813 mm x 559 mm

PRODUCT FEATURES & BENEFITS

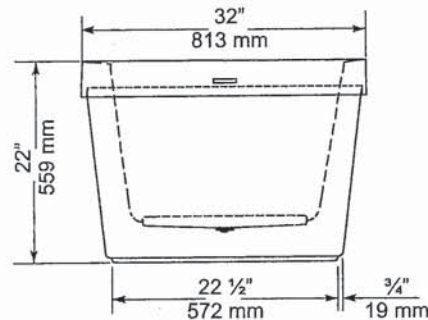
- Vacuum formed acrylic reinforced with fiberglass
- Scratch, stain and fade resistant high gloss finish
- Installation friendly two piece design
- Accepts deck mounted faucet
- Includes integral pop up drain and rectangular overflow
- Includes levelling feet

TWO PIECE ASSEMBLY

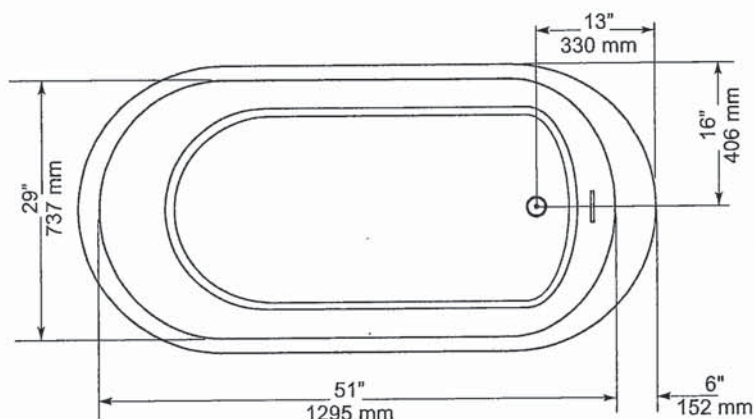
FRONT VIEW



END VIEW



TOP VIEW



GENERAL SPECIFICATIONS

Average Weight	90 lb	41 kg
Bathing Well at bottom	43"x 20"	1092 x 508 mm
Capacity Drain to Overflow		195 litres
Water Depth Drain to Overflow	16"	406 mm
Drain Opening (dia.)	2"	51 mm
Overflow Opening	2 1/4"x 1/2"	57 x 13 mm
Drain to Floor Clearance	3 1/4"	83 mm

NOTES: Please confirm measurements on actual product to ensure proper identification. Bathtub to be installed on the floor supported by 5 self levelling feet. Adjust if required to level the bathtub for adequate drainage. Refer to installation instructions for additional information.

IMPORTANT: Dimensions of fixtures are nominal and may vary ± 1/4" (6 mm). Weight may vary ± 5 lb (2.3 kg). Drawing is not to scale. These measurements are subject to change at manufacturer's discretion.

Compliance Certifications -

Meets or Exceeds the following Specifications:

- CAN/CSA - B45 Series



mirolin

60 Shorncliffe Rd., Toronto, Ontario M8Z 5K1
 Telephone: 416.231.9030 Fax: 416.231.0929
 www.mirolin.com

© 2018 Mirolin Industries Corp.

Customer Service: 416.231.5790
 Canada, U.S.A.: 800.MIROLIN(647-6546)
 Fax, Canada: 800.463.2236

R0084162
 25 Sep. 2018

Handwritten signature and initials

American Standard

Style That Works Better

FloWise™ DUAL FLUSH ELONGATED TOILET

VITREOUS CHINA

FloWise™ DUAL FLUSH ELONGATED TOILET

2476 216

- Vitreous china
- Low-consumption Dual Flush
 Full flush 6.0 Lpf/1.3 gpf,
 Partial flush 3.0 Lpf/0.66 gpf.
- Elongated wash down bowl
- Internal trapway fully-glazed,
 2-1/4" (57mm) ballpass
- Concealed trapway bowl
- Chrome-plated top mounted
 push button actuator
- Easy to clean sanitary dam on bowl
- Includes Elongated Slow Close Seat
- 100% factory flush tested
- 2 bolt caps



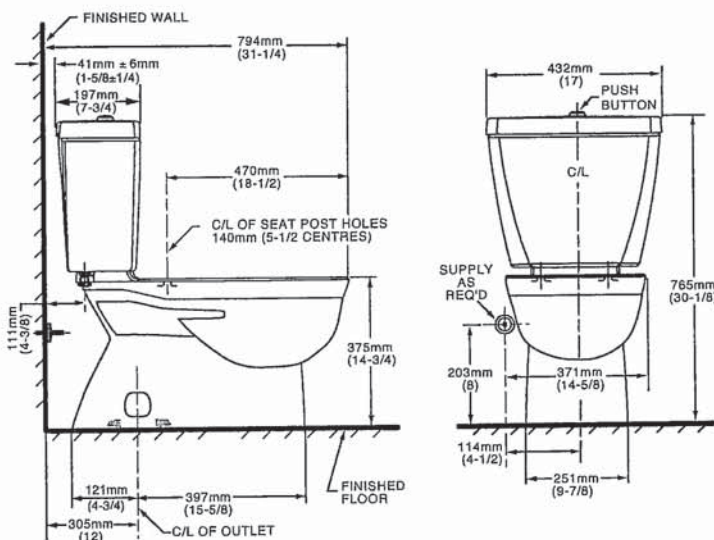
Separate Component Parts:

- 3067 316 Elongated Bowl with Slow Close Seat
- 4035 216 Unlined Tank

2476 516 Same as above with Lined tank

- 3067 316 Elongated Bowl
- 4035 516 Lined Tank

Nominal Dimensions:
 794 x 432 x 765mm
 (31-1/4" x 17" x 30-1/8")



**Compliance Certifications -
 Meets or Exceeds the Following Specifications:**

- ASME A112.19.2M (and 19.6M)
- CAN/CSA B45 series

To Be Specified

- Colour: 020 White
- Supply with stop:

NOTES:
 THIS TOILET IS DESIGNED TO ROUGH-IN AT A MINIMUM DIMENSION OF 305MM (12") FROM FINISHED WALL TO C/L OF OUTLET.
 SUPPLY NOT INCLUDED WITH FIXTURE AND MUST BE ORDERED SEPARATELY.
 * DIMENSION SHOWN FOR LOCATION OF SUPPLY IS SUGGESTED.
 FOR ADDITIONAL INFORMATION REFER TO INSTALLATION INSTRUCTIONS SUPPLIED.
 IMPORTANT: Dimensions of fixtures are nominal and may vary within the range of tolerance established by ANSI Standard A112.19.2
 These measurements are subject to change or cancellation. No responsibility is assumed for use of superseded or voided pages.

UPGRADED VALUE ADDED FEATURES AT NO EXTRA CHARGE

Handwritten signature and initials, including the number '47'.

MOEN®

Specifications

DESCRIPTION

- Metal construction with various finishes identified by suffix
- 16" long 3/8" tubing connections
- Includes metal or 50/50 pop-up type waste assembly where noted

OPERATION

- Pivot action lever style handle
- Temperature controlled through 180° degree arc of handle travel


FLOW

- Flow is limited to 1.5 gpm max (5.7L/min) at 60 psi

CARTRIDGE

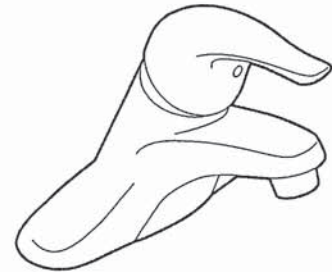
- 1225 cartridge design
- Nonmetallic/nonferrous and stainless steel material
- Can accommodate reversed piping and back to back installations

STANDARDS

- Third party certified to WaterSense®, CSA B-125.1, ASME A112.18.1 and all applicable requirements referenced therein including NSF61/9
- Complies with California Proposition 65 and with the Federal Safe Drinking Water Act
- **ADA**  for lever handle

WARRANTY

- Lifetime limited warranty against leaks, drips and finish defects to the original consumer purchaser
- 5 year warranty if used in commercial installations



CHATEAU®
 Single-Handle Lavatory Faucet

with Metal Waste Assembly

Model: L4625 series
 L4631BC

Bulk Packed (12 per carton):
 L64624 series

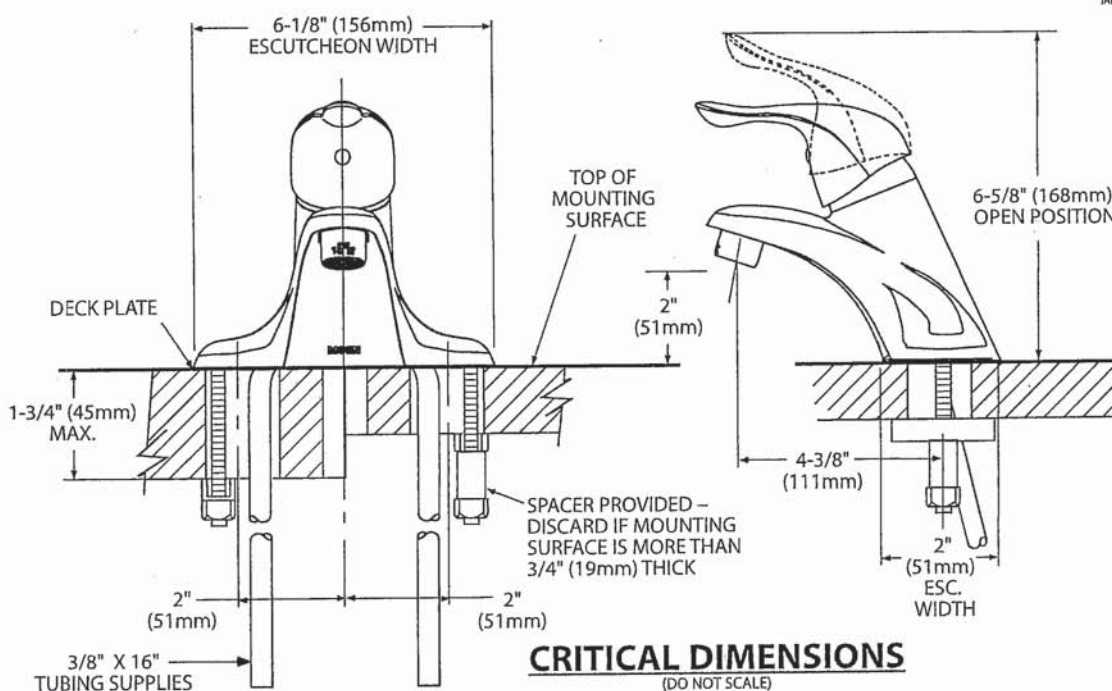
with 50/50 Waste Assembly

Bulk Packed (12 per carton):
 L64625 series

Less Waste

Bulk Packed (12 per carton):
 L64600 series

NOTE: THIS FAUCET IS DESIGNED TO BE INSTALLED THRU 3-1" DIA. HOLES, 2" ON CENTER



Handwritten signature and number 47



Buy it for looks. Buy it for life.®

DESCRIPTION

- Metal construction with various finishes identified by suffix
- Includes non-metallic showerhead, arm, flange and non-metallic diverter tub spout

OPERATION

- Handle operates counterclockwise through a 270° arc with off at 6 o'clock and maximum hot at the 9 o'clock position. Shut off in clockwise direction
- Adjustable temperature limit stop to control maximum hot water temperature
- Pressure balancing mechanism maintains selected discharge temperature to ± 3°

FLOW

- Showerhead is limited to 2.5 gpm (9.5 L/min) at 80 psi
- EP suffix models are limited to 1.75 gpm (6.6 L/min) at 80 psi
- NH suffix models contain no showerhead

CARTRIDGE

- 1222 cartridge design
- Accommodates back to back installations
- Nonmetallic/nonferrous and stainless steel material

STANDARDS

- Third party certified to meet ASME A112.18.1/CSA B125.1 and all applicable requirements referenced therein
- EP suffix models are third party certified to WaterSense®

- ADA for lever handle

WARRANTY

- Lifetime limited warranty against leaks, drips and finish defects to the original consumer purchaser
- 5 year warranty if used in commercial installations

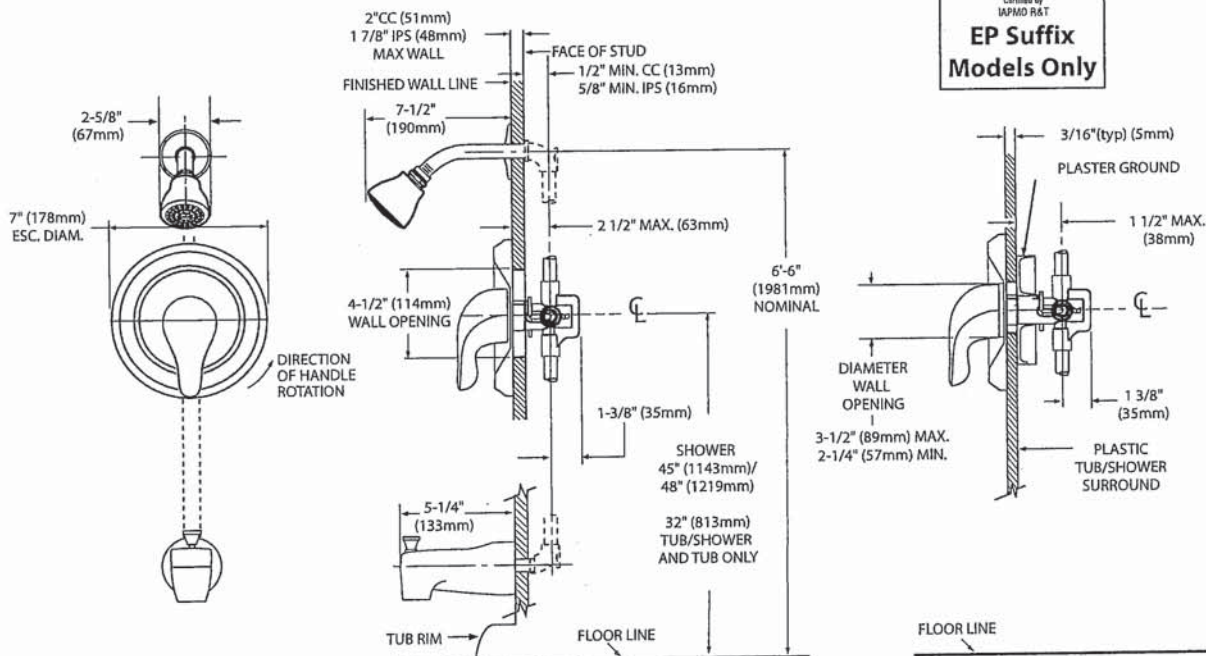
Specifications



CHATEAU® POSI-TEMP® Single-Handle Tub/Shower Trim Kit

- Models:** TL181 series - valve trim only
 (Bulk Packed 12 per carton)
 TL182 series - shower trim only
 (Bulk Packed 12 per carton)
 TL183 series - tub/shower trim
 (Bulk Packed 12 per carton)

- Valves:** 62300 series
 2500 series



Handwritten signature and initials

MOEN®

Specifications

DESCRIPTION


- Metal construction with various finishes identified by suffix

OPERATION

- Lever style handles with hot and cold color indicator
- Rotate hot side handle counterclockwise to open (clockwise to close) and the cold side handle (clockwise to open) and (counterclockwise to close)

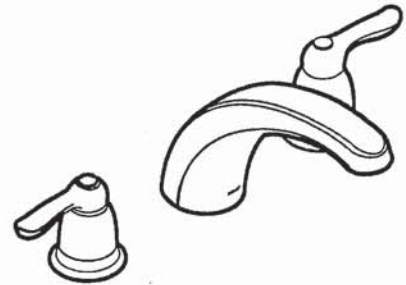
STANDARDS

- Third party certified to: ASME A112.18.1/CSA B-125.1, and all applicable requirements referenced therein

- ADA  for lever handles

WARRANTY

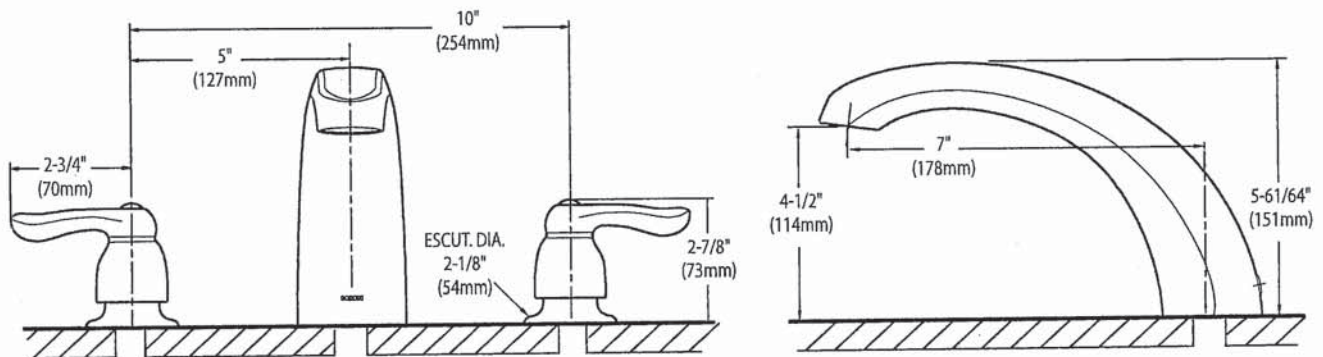
- Lifetime limited warranty against leaks, drips and finish defects to the original homeowner
 - 10 year limited warranty when used in a multi-family installation
 - 5 year limited warranty when used in a commercial installation
- Visit www.moen.com/support for complete details and limitations



CHATEAU®
Two-Handle Garden Tub Trim

Models: T994 series

Valves: 4792, 4793, 4794, 4796, 4797, 4798



CRITICAL DIMENSIONS

(DO NOT SCALE)





SPECIFICATIONS
AV SERIES
 RANGE HOODS

HVI CERTIFIED 180 CFM/7.0 Sones @ 0.10" SP. Horizontal
 180 CFM/7.5 Sones @ 0.10" SP. Vertical

Dimensions

Overall bottom projection - 18³/₈"
 Overall top projection - 12"
 Height - 6"
 Available widths: 21", 24", 30", 36" & 42"

Hood Body

Stainless Steel: 24 gauge, grade 430 stainless steel.
 Painted: 23 gauge cold rolled commercial grade (CRCQ) steel, auto welded, coated with a baked enamel finish.

Motor

2 speed, single coil, thermally protected, permanently lubricated.
 Rated 120 volts, 60 hz. Complete with 200°C lead wires.

Lighting

Single 60 watt cook light capacity (bulb not included).

Ducting Options

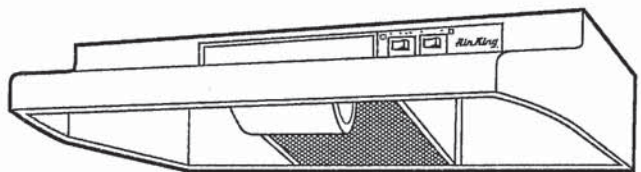
Horizontal ducting: 3¹/₄"x10" (duct adapter and damper included).
 Vertical ducting: 3¹/₄"x10" (duct adapter and damper included).
 Vertical ducting: 7" round (duct adapter and damper not included).
 Ductless: removable front vent (charcoal filter not included).

Fan Blade

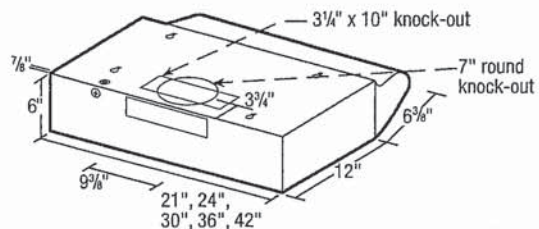
One piece polymeric, electronically balanced blade. 6⁵/₈" diameter with 5 paddles.

Electrical connection

Hood top - 7/8" knockout hole for use with 1/2" cable clamp
 Hood back - 7/8" knockout hole for use with 1/2" cable clamp



AV SERIES



Filters

UL rated, class 2 filter.
 Grease Filter: RF35 - 8⁷/₈"x10³/₈" (included).
 Charcoal Filter: RF34 (not included).
 Combo Grease/Charcoal: RF55 (not included).

Available Finishes

White, Biscuit, Almond, Black & Stainless Steel.

EXPANDED PERFORMANCE										
Air Flow - CFM	Static Pressure (inches of w.g.)						Sones @ .1 SP	Fan Speed RPM	Power Watts	Apms
	0	0.05	0.1	0.15	0.2	0.25				
Vertical Ducting High	246	232	218	203	181	147	7.5	2973	87.0	2.1
Horizontal Ducting High	225	210	180	175	155	120	7.0	3024	87.0	2.1

PROJECT					ARCHITECT					
LOCATION					ENGINEER					
CONTRACTOR					SUBMITTED BY					DATE
FAN NUMBER	MODEL NUMBER	CFM	IN W.C.	RPM	WATTS	AMPS	SONES	QTY	OPTIONAL EQUIPMENT & REMARKS	

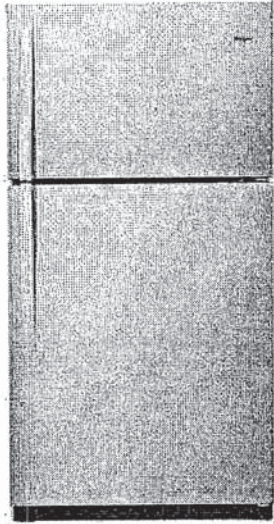


Air King: 820 Lincoln Avenue
 West Chester, Pennsylvania 19380-4466
 Tel: (610) 692-7400 • 877-304-3785
 Fax: (610) 696-8048

Canada:
 Brampton, Ontario
 Tel: 905-456-2033
 Fax: (905) 456-1015

[Handwritten signature] 47

Whirlpool® 21 cu. ft. Top-Freezer Refrigerator WRT541SZD



Fingerprint-Resistant Stainless
 WRT541SZDZ

Also available in:

- White **WRT541SZDW**
- Black **WRT541SZDB**
- Monochromatic Stainless Steel **WRT541SZDM**

Capacity

Total Capacity	21 cu. ft.
Refrigerator Capacity	15 cu. ft.
Freezer Capacity	6 cu. ft.

General Features & Properties

- EZ Connect Icemaker Kit
- LED Interior Lighting
- ENERGY STAR® Certified
- Electronic Temperature Controls
- Freezer Temperature Controls
- Clear Door Bins
- Adjustable Door Bins
- Quiet Cooling
- Fingerprint Resistant

Electrical Details

Amps	6.5
Volts	115

Certifications

ADA Compliant	Yes
ENERGY STAR® Certified	Yes

Technical Details

Refrigerator Type	Top-Freezer
Number of Doors	2
Number of Interior Refrigerator Shelves	3
Number of Refrigerator Door Bins	1 Fixed, 4 Adjustable
Number of Interior Freezer Shelves	1
Number of Freezer Door Bins	2 Fixed
Lighting Type	LED
Ice Maker	Optional
Ice Maker Location	Freezer
Dispenser Type	N/A

Dimensions

Product Dimensions (H x W x D)	66-1/4" x 32-3/4" x 34"
Depth with Door Open 90°	62-1/4"
Cutout Dimensions	Allow extra 1/2" on sides and top Allow extra 1" on rear

Reference Material

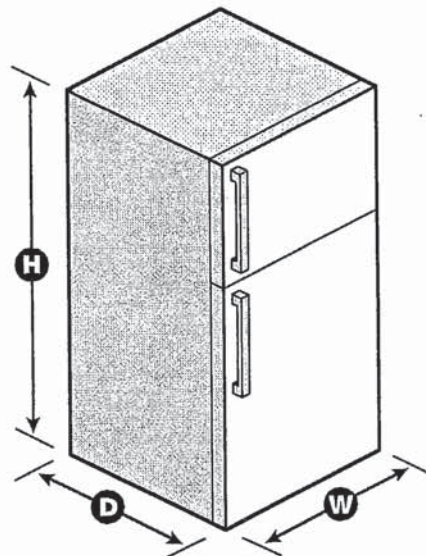
- [Dimension Guide](#)
- [Use & Care Guide](#)
- [Energy Guide](#)
- [Warranty](#)

Key Features & Benefits

Frameless Glass Shelves
 Store more items on wall-to-wall shelves for greater storage flexibility.

Flexi-Slide™ Bin
 Make space for tall items with the bin that quickly and easily moves side to side.

Humidity-Controlled Crispers
 Store fruits and vegetables in their ideal environment.



GARAGE LEFT
 HINGES ON RIGHT
 HANDLES ON LEFT

NOTE: Dimensions are for planning purposes only. For complete details, see Installation Instructions packed with product. Specifications subject to change without notice.
 ©/™ © 2020. All rights reserved. Printed in the U.S.A. D200052XXC. WRT541SZDSPECSHEETV01.

HT

Whirlpool® Top Mount Refrigerator

PRODUCT MODEL NUMBERS

WRT311FZD WRT541SZD
 WRT511SZD

Electrical: A 115-volt, 60-Hz, AC-only, 15- or 20-amp fused, grounded electrical supply is required. It is recommended that a separate circuit serving only your refrigerator be provided. Use an outlet that cannot be turned off by a switch. Do not use an extension cord.

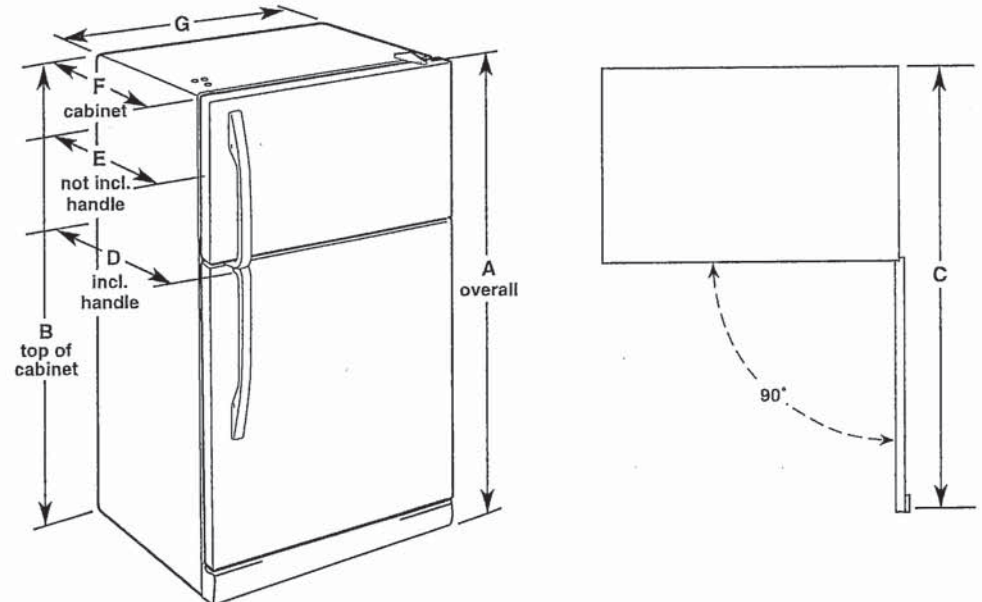
NOTE: Before performing any type of installation, cleaning, or removing a light bulb, turn the control (Thermostat, Refrigerator or Freezer Control depending on the model) to OFF and then disconnect the refrigerator from the electrical source. When you are finished, reconnect the refrigerator to the electrical source and reset the control (Thermostat, Refrigerator or Freezer Control depending on the model) to the desired setting. See "Using the Controls."

Water: A cold water supply with water pressure between 30 and 120 psi (207 and 827 kPa) is required to operate ice maker and water dispenser. If you have questions about your water pressure, call a licensed, qualified plumber.

IMPORTANT: The pressure of the water coming out of a reverse osmosis system going to the water inlet valve of the refrigerator needs to be between 30 and 120 psi (207 and 827 kPa).

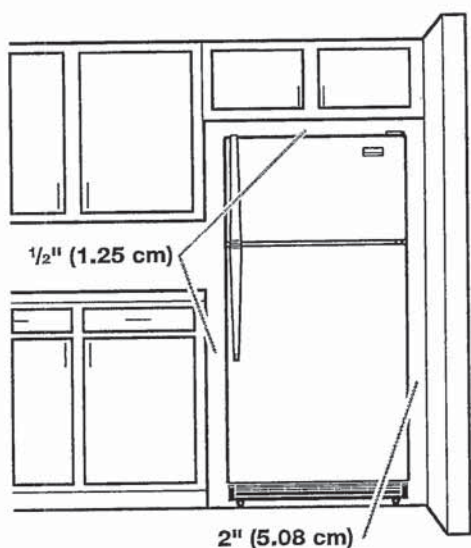
Reverse Osmosis Water Supply: If a reverse osmosis water filtration system is connected to your cold water supply, the water pressure to the reverse osmosis system needs to be a minimum of 40 to 60 psi (276 to 414 kPa).

PRODUCT DIMENSIONS



Model Number	Model Size	Reversible Door	Height - Overall "A"	Height - Top of Cabinet "B"	Depth - Door Open 90° "C"	Depth - With Handles "D"	Depth - Without Handles "E"	Depth - Cabinet Only "F"	Width - Cabinet "G"
WRT311FZD	20.5 cu. ft.	Yes	66¼" (168.3 cm)	65½" (166.4 cm)	62¼" (158.1 cm)	32⅞" (83.5 cm)	30⅝" (77.8 cm)	28½" (72.4 cm)	32¾" (83.2 cm)
WRT511SZD WRT541SZD	21.3 cu. ft.	Yes	66¼" (168.3 cm)	65½" (166.4 cm)	62¼" (158.1 cm)	34" (86.4 cm)	32½" (82.3 cm)	28½" (72.4 cm)	32¾" (83.2 cm)

LOCATION REQUIREMENTS



To ensure proper ventilation for your refrigerator, allow for a ½" (1.25 cm) space on each and between overhead cabinets and refrigerator top. Allow at least 1" (2.5 cm) between back of cabinet and the wall. If your refrigerator has an ice maker, make sure you leave some extra space at the back for the water line connections.

If you are installing your refrigerator next to a fixed wall, leave 2" (5 cm) minimum on the hinge side (depending on your model) to allow for the door to swing open.

NOTE: This refrigerator is intended for use in a location where the temperature ranges from a minimum of 55°F (13°C) to a maximum of 110°F (43°C). The preferred room temperature range for optimum performance, which reduces electricity usage and provides superior cooling, is between 60°F (15°C) and 90°F (32°C). It is recommended that you do not install the refrigerator near a heat source, such as an oven or radiator.

49



5.3 cu. ft. Whirlpool® electric range with Frozen Bake™ technology

YWFE515S0JS

This Whirlpool® electric range with a dual element stove top helps you get dinner to the table. Skip preheating for favorites like pizza with Frozen Bake™ technology. This self cleaning oven also prevents cooked food from getting cold with the Keep Warm setting. Closed door broiling helps keep the kitchen comfortable.



Available Finishes/Colours

- YWFE515S0JB
Black
- YWFE515S0JS
Stainless Steel
- YWFE515S0JW
White

Manuals & Literature:

- [Installation Instructions](#)
- [Use and Care](#)
- [Warranty](#)

Top Features

FlexHeat™ Dual Radiant Element
 Get two elements in one with a 6" inner ring that's great for smaller pots and pans and a 9" expandable outer ring that makes room for larger cookware.

Frozen Bake™ technology
 Skip preheating and cook frozen favorites like pizza in fewer steps with preprogrammed settings that automatically adjust cooking times for you.

Keep Warm setting
 Keep dishes from getting cold with this setting that delivers low heat to the oven.

Closed Door Broiling
 Maintain the optimal cooking temperature for food while still keeping the kitchen comfortable and cool using this broiling temperature management system that helps prevent overheating.

Dimensions	
Depth	27 3/4
Height	36
Width	29 7/8

Exterior	
Handle Type	Reach-Through Handle

Configuration and Overview	
Range Type	Freestanding
Fuel Type	Electric
Size (IN, inches)	30

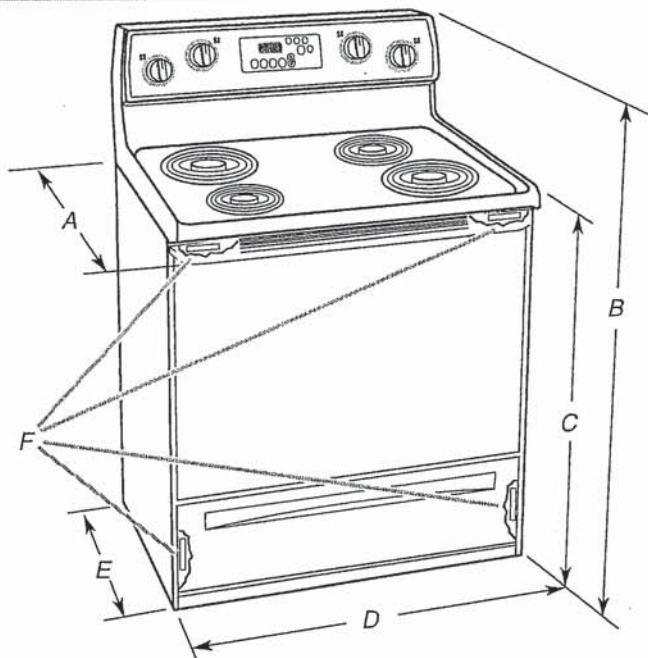
Features	
Hot Surface Indicator Light	Yes

Heating Element On Indicator Light	Yes
Power On Indicator Light	No
Griddle	NA
Automatic Convection Conversion Temperature Adjust	No
Power Outage Compatible	No

Exterior	
Door Removable	Yes
Drawer Type	Storage Drawer
Oven Door	Glass Window
Oven Window Size	Extra Large
Handle Color	Stainless Steel
Handle Material	Metal

WHIRLPOOL 30" (76.0 CM) FREESTANDING ELECTRIC RANGES Model YWFE515S0JS

Product Dimensions



- A. 27³/₄" (70.5 cm) max. depth with handle
- B. 46⁷/₈" (119.1 cm) overall height (max.) with leveling legs screwed all the way in*
- C. 36" (91.4 cm) cooktop height (max.) with leveling legs screwed all the way in*
- D. 29⁷/₈" (75.9 cm) width
- E. 25⁵/₁₆" (64.3 cm) depth - back of range to front of cooktop**
- F. Model/serial/rating plate (located on the frame behind a top corner of the door or either side of the drawer)

IMPORTANT: Range must be level after installation. Follow the instructions in the "Level Range" section. Using the cooktop as a reference for leveling the range is not recommended.

*Range can be raised approximately 1" (2.5 cm) by adjusting the leveling legs.

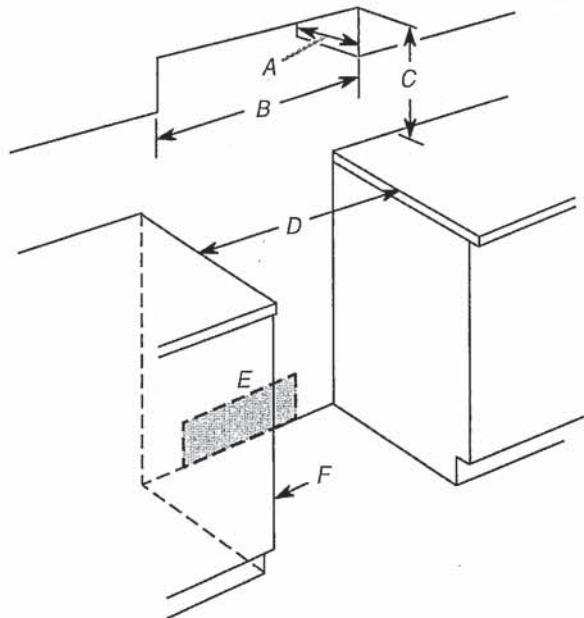
**Front of door and drawer may extend further forward depending on styling.

Cabinet Dimensions

Cabinet opening dimensions shown are for 25" (64.0 cm) countertop depth, 24" (61.0 cm) base cabinet depth and 36" (91.4 cm) countertop height.

IMPORTANT: If installing a range hood or microwave hood combination above the cooking surface, follow the range hood or microwave hood combination installation instructions for dimensional clearances above the cooktop surface.

A freestanding range may be installed next to combustible walls with zero clearance.



- A. 13" (33.0 cm) max. upper cabinet depth
- B. 30" (76.2 cm) min. opening width
- C. For minimum clearance to top of cooktop, see NOTE*
- D. 30" (76.2 cm) min. opening width
- E. Outlet - 8" (20.3 cm) to 22" (55.9 cm) from either cabinet, 7" (17.8 cm) max. from floor.
- F. Cabinet door or hinges should not extend into the cutout.

*NOTE: 24" (61.0 cm) minimum when bottom of wood or metal cabinet is covered by not less than 1/4" (6.4 mm) flame retardant millboard covered with not less than No. 28 MSG sheet steel, 0.015" (0.4 mm) stainless steel, 0.024" (0.6 mm) aluminum or 0.020" (0.5 mm) copper.


30" (76.2 cm) minimum clearance between the top of the cooking platform and the bottom of an uncovered wood or metal cabinet.

UT

WHIRLPOOL 30" (76.0 CM) FREESTANDING ELECTRIC RANGES Model YWFE515S0JS

Electrical Requirements - Canada Only

⚠ WARNING



Electrical Shock Hazard

Electrically ground range.
 Failure to do so can result in death, fire, or electrical shock.

If codes permit and a separate ground wire is used, it is recommended that a qualified electrical installer determine that the ground path is adequate and wire gauge are in accordance with local codes.

Be sure that the electrical connection and wire size are adequate and in conformance with CSA Standard C22.1, Canadian Electrical Code, Part 1 - latest edition, and all local codes and ordinances.

A copy of the above code standards can be obtained from:

Canadian Standards Association
 178 Rexdale Blvd.
 Toronto, ON M9W 1R3 CANADA

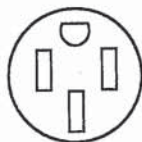
- Check with a qualified electrical installer if you are not sure the range is properly grounded.

Range Rating*		Specified Rating of Power Supply Cord Kit and Circuit Protection
120/240 V	120/208 V	Amps
8.8 - 16.5 KW	7.8 - 12.5 KW	40 or 50**
16.6 - 22.5 KW	12.6 - 18.5 KW	50

*The NEC calculated load is less than the total connected load listed on the model/serial/rating plate.

**If connecting to a 50 A circuit, use a 50 A rated cord with kit. For 50 A rated cord kits, use kits that specify use with a nominal 1 3/8" (3.5 cm) diameter connection opening.

- A time-delay fuse or circuit breaker is recommended.
- This range is equipped with a CSA International Certified Power Cord intended to be plugged into a standard 14-50R wall receptacle. Be sure the wall receptacle is within reach of range's final location.



- Do not use an extension cord.

INSTALLATION INSTRUCTIONS

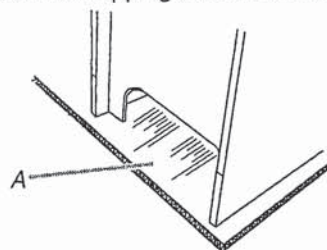
Unpack Range

⚠ WARNING

Excessive Weight Hazard

Use two or more people to move and install range.
 Failure to do so can result in back or other injury.

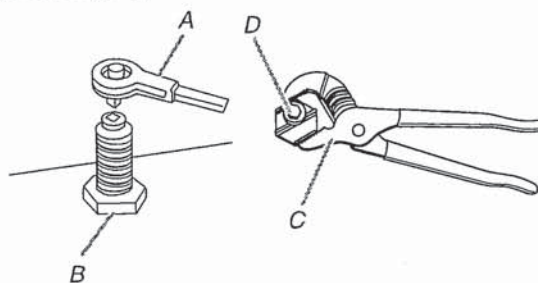
- Remove shipping materials, tape and film from range.
- Remove oven racks and parts package from inside oven.
- Do not remove the shipping base at this time.



A. Shipping base

4. On Ranges Equipped with a Storage Drawer:

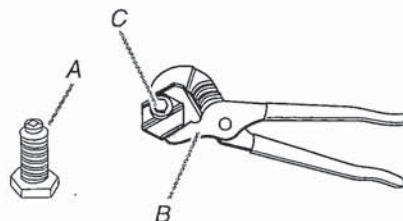
Remove the storage drawer. See the "Storage Drawer" section. Use a 1/4" (6.4 mm) drive ratchet to lower the rear leveling legs one-half turn. Use a wrench or pliers to lower front leveling legs one-half turn.



A. 1/4" (6.4 mm) drive ratchet
 B. Rear leveling leg
 C. Wrench or pliers
 D. Front leveling leg

On Ranges Equipped with a Warming Drawer or Premium Storage Drawer:

On ranges equipped with a warming drawer or premium storage drawer, the rear legs cannot be accessed by removing the warming drawer or premium storage drawer. It will be necessary to adjust the rear legs from outside the range. Use wrench or pliers to lower the front and rear leveling legs one half turn.



A. Rear leveling leg
 B. Wrench or pliers
 C. Front leveling leg

47

WHIRLPOOL 30" (76.0 CM) FREESTANDING ELECTRIC RANGES
Model YWFE515S0JS

Install Anti-Tip Bracket

⚠ WARNING



Tip Over Hazard

A child or adult can tip the range and be killed.

Install anti-tip bracket to floor or wall per installation instructions.

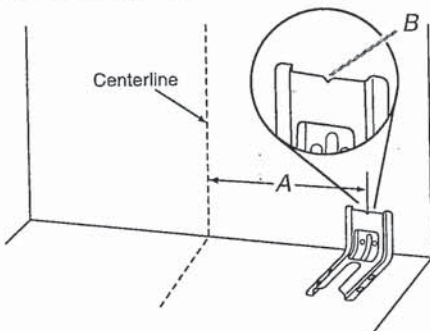
Slide range back so rear range foot is engaged in the slot of the anti-tip bracket.

Re-engage anti-tip bracket if range is moved.

Do not operate range without anti-tip bracket installed and engaged.

Failure to follow these instructions can result in death or serious burns to children and adults.

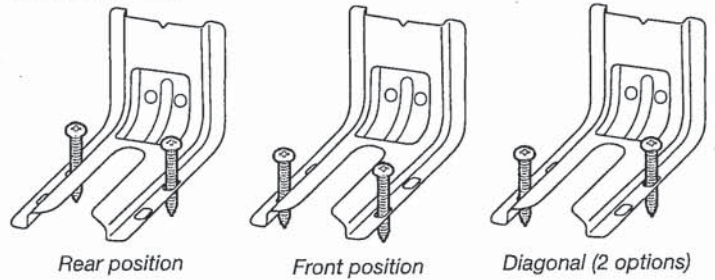
1. Remove the anti-tip bracket from where it is taped inside the storage drawer or warming drawer.
2. Determine which mounting method to use: floor or wall.
 If you have a stone or masonry floor, you can use the wall mounting method. If you are installing the range in a mobile home, you must secure the range to the floor.
3. Determine and mark centerline of the cutout space. The mounting can be installed on either the left-side or right-side of the cutout. Position mounting bracket against the wall in the cutout so that the V-notch of the bracket is $12^{9/16}$ " (31.9 cm) from centerline as shown.



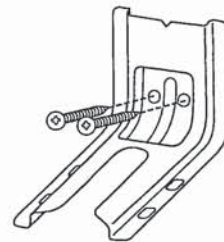
A. $12^{9/16}$ " (31.9 cm)
 B. Bracket V-notch

4. Drill two $1/8$ " (3 mm) holes that correspond to the bracket holes of the determined mounting method. See the following illustrations.

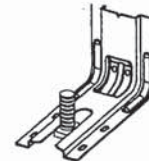
Floor Mounting



Wall Mounting



5. Using the Phillips screwdriver, mount anti-tip bracket to the wall or floor with the two #12 x $1^{5/8}$ " (4.1 cm) screws provided.
6. Move range close enough to opening to allow for final electrical connections. Remove shipping base, cardboard or hardboard from under range.
7. Move range into its final location, making sure rear leveling leg slides into anti-tip bracket.

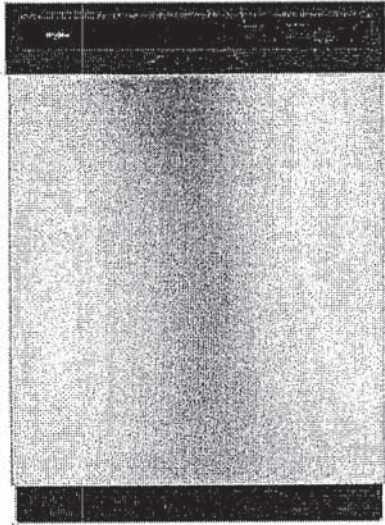


8. Move range forward onto shipping base, cardboard or hardboard to continue installing the range using the following installation instructions.



55 dBA* Front Control Dishwasher

WDF330PAH



Stainless Steel
WDF330PAHS

Also available in:

- White **WDF330PAHW**
- Black **WDF330PAHB**

Capacity

Total Place Settings 13

General Features & Properties

Heavy Cycle

High Temperature Wash Option

Heated Dry Option

ENERGY STAR® Certified

Industry's Best Selling Dishwasher Brand†

Designed, Engineered and Assembled in the U.S.A. with American Pride

Electrical Details

Amps 10

Volts 120

Hz 60

Certifications

ENERGY STAR® Certified Yes

Technical Details

Dishwasher Type Built-in

Control Location Front

Control Type Push Button

Number of Wash Cycles 3

Number of Options 4

dBA* 55

Number of Racks 2

Tub Material Plastic

Wash System Filter

Wash System Type Removable Filter

Number of Wash Arms 2

Dimensions

Product Dimensions (H x W x D) 34-1/2" x 23-7/8" x 24-1/2"

Depth with Door Open 90° 49-1/2"

Reference Material

[Dimension Guide](#)

[Install Guide](#)

[Use & Care Guide](#)

[Energy Guide](#)

[Warranty](#)

Key Features & Benefits

1-Hour Wash Cycle

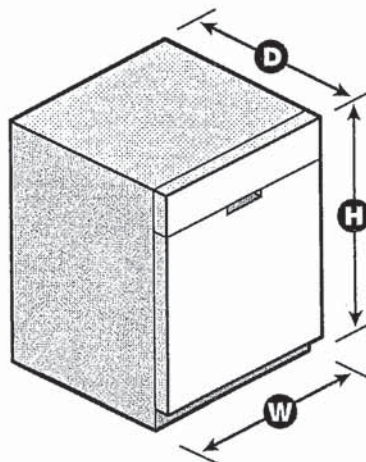
Clean dishes in half the time so your plates, pans and glasses are thoroughly cleaned up and taken care of in just an hour.**

Soil Sensor

Determines how dirty dishes are and adjusts the Normal cycle as needed to make sure dishes come out clean.

Normal Cycle

Use for normal amounts of food soil to clean up leftover messes from your day-to-day meals.



*Per IEC standards. **Compared to Normal cycle with lightly soiled loads. †Based on 12-month average of sales. TraQline 2018. NOTE: Dimensions are for planning purposes only. For complete details, see Installation Instructions packed with product. Specifications subject to change without notice. ©/™ © 2020. All rights reserved. Printed in the U.S.A. D200052XXA. WDF330PAHSPECSHEETV01.



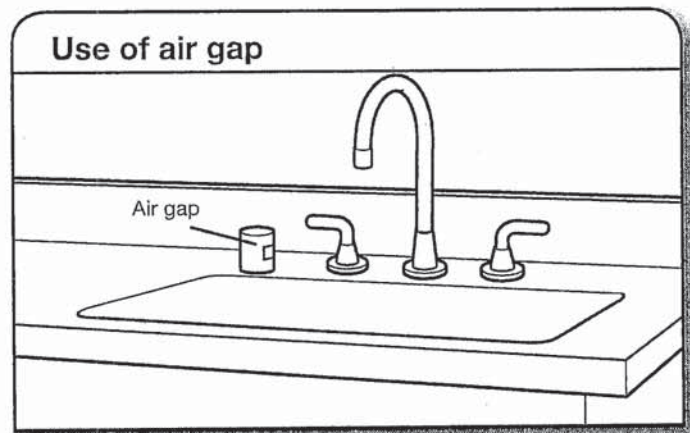
Undercounter Dishwasher

PRODUCT MODEL NUMBERS

WDF110PAB	WDF320PAD	WDT710PAH
WDF111PAB	WDF330PAH	WDT720PAD
WDF120PAF	WDF331PAH	WDT730PAH
WDF121PAF	WDF520PAD	WDT735PAG
WDF130PAH	WDF540PAD	WDT735PAH
WDF131PAH	WDF545PAF	

DRAIN REQUIREMENTS

- A new drain hose is supplied with your dishwasher. If drain hose is not long enough, use a new drain hose with a maximum length of 12 ft (3.7 m) that meets all current AHAM/IAPMO test standards, is resistant to heat and detergent, and fits the 1" (25 mm) drain connector of the dishwasher. See the "Tools and Parts" section at the front of the guide for part details and orders.
- Make sure to connect drain hose to waste tee or disposer inlet above drain trap in house plumbing and 20" (508 mm) minimum above the floor. It is recommended that the drain hose either be looped up and securely fastened to the underside of the counter or be connected to an air gap.
- Make sure to use an air gap if the drain hose is connected to house plumbing lower than 20" (508 mm) above subfloor or floor.



- If required, the air gap should be installed in accordance with the air gap installation instructions. When you are connecting the air gap, a rubber hose (not provided) will be needed to connect to the waste tee or disposer inlet.
- Use 1/2" minimum I.D. drain line fittings.

WATER SUPPLY REQUIREMENTS

- This dishwasher has a water heating feature and also requires a connection to a hot water supply line.
- A hot water line with 20 to 120 psi (138 to 862 kPa) water pressure can be verified by a licensed plumber.
- 120°F (49°C) water at dishwasher
- 3/8" O.D. copper tubing with compression fitting or flexible braided water supply line. See the "Tools and Parts" section at the front of the guide for part details and orders.

NOTE: 1/2" minimum plastic tubing is not recommended.

- A 90° elbow with 3/4" hose connection with rubber washer. See the "Tools and Parts" section at the front of the guide for part details and orders.
- Do not solder within 6" (152 mm) of the water inlet valve.
- If installed in new construction, make sure the house water supply lines have been flushed prior to connecting the dishwasher to remove any debris that may exist in the supply line.

NOTE: If replacing an existing dishwasher, it is recommended to install a new water line (see the "Tools and Parts" section at the front of the guide for part details) and drain hose (supplied) with the new dishwasher.

ELECTRICAL REQUIREMENTS

You Must Have:

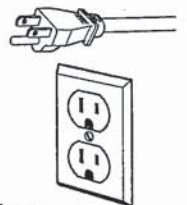
- 120-volt, 60 Hz, AC-only, 15- or 20-amp, fused electrical supply
- Copper wire only
- A maximum of 2 field wiring supply conductors (12 AWG largest size) plus 1 grounding conductor are permitted in the terminal box.

We Recommend:

- A time-delay fuse or circuit breaker
- A separate circuit

If Connecting Dishwasher with a Power Cord:

- Use a UL Listed power cord kit marked for use with dishwasher. See the "Tools and Parts" section at the front of the guide for part details and orders.
- Plug into a grounded 3 prong outlet. Outlet must meet all local codes and ordinances.

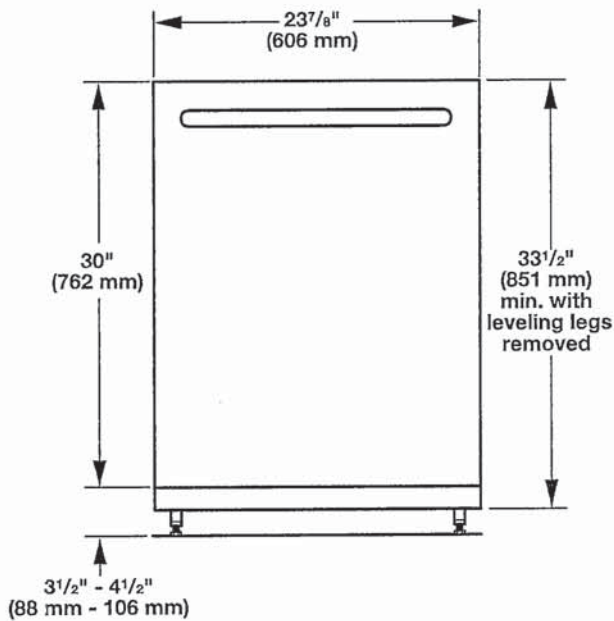


If Connecting Dishwasher with Direct Wiring:

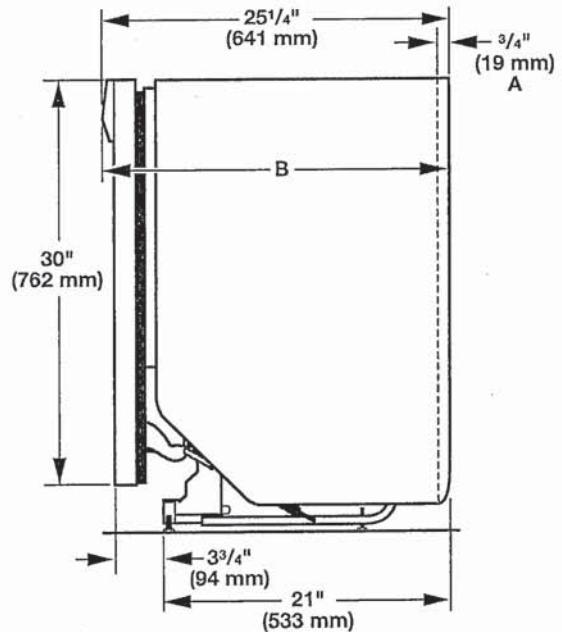
- Use flexible, armored, or nonmetallic sheathed copper wire with grounding wire that meets the wiring requirements for your home and local codes and ordinances.
- Use a UL Listed/CSA Approved metallic strain relief.



PRODUCT AND CABINET OPENING DIMENSIONS

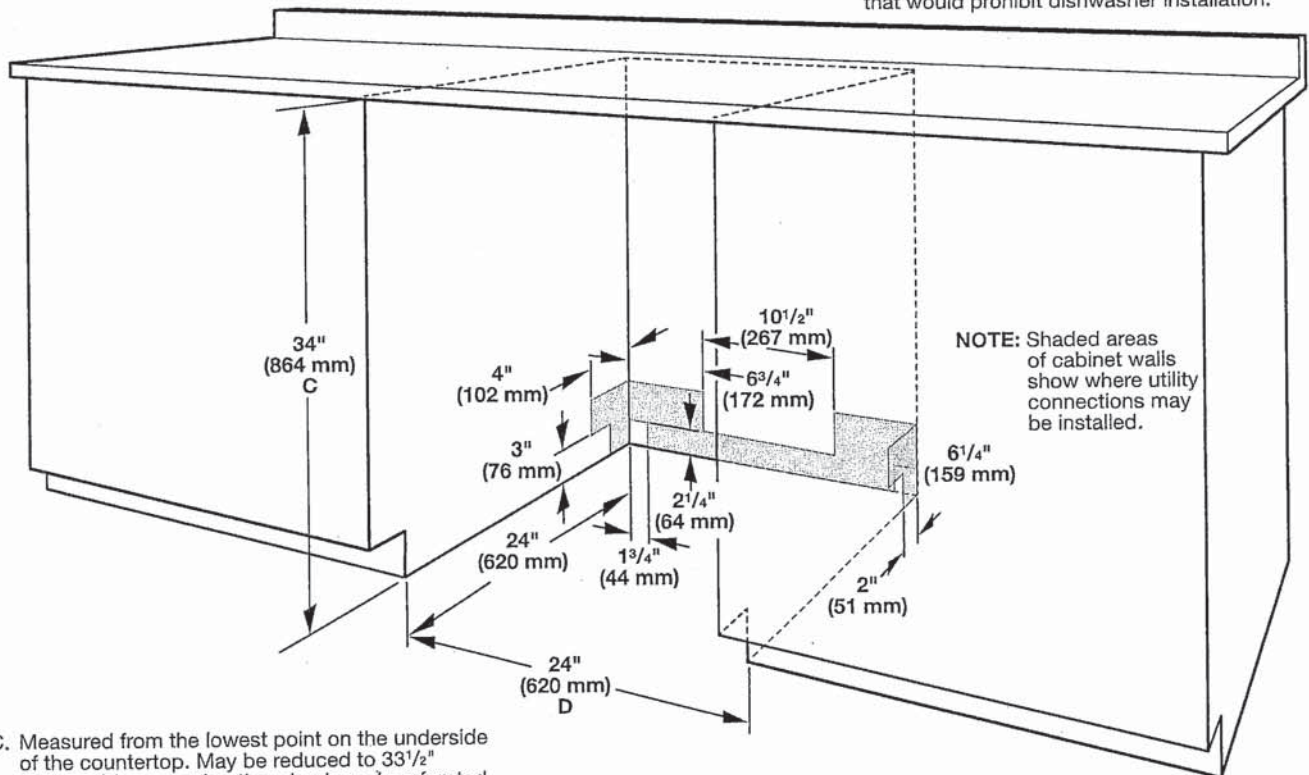


For 4" (100 mm) toe kick, height of cabinet opening is 34 1/2" (863 mm).



- A. Insulation may be compressed (not used on all models).
- B. Door handles may protrude forward of the face of the dishwasher, (varies by model).

Check that all surfaces have no protrusions that would prohibit dishwasher installation.



NOTE: Shaded areas of cabinet walls show where utility connections may be installed.

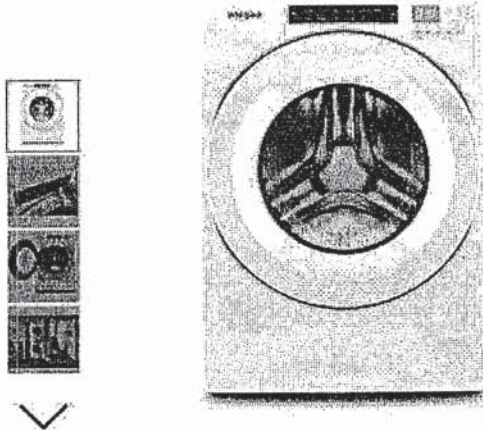
- C. Measured from the lowest point on the underside of the countertop. May be reduced to 33 1/2" (851 mm) by removing the wheels and perforated area of insulation (blanket) on dishwasher.
- D. Minimum, measured from narrowest point of opening.

Handwritten initials and signature.

5.0 cu.ft I.E.C. Closet-Depth Front Load Washer with Intuitive Controls

Model: WFW560CHW

- Overview
- Specifications
- Reviews
- You May Also Like
- Help And Resources
- Find In Store



Key Features

- #1 in Customer Satisfaction in the J.D. Power 2020 Laundry Appliances Satisfaction Study
- 5.0 cu. ft. I.E.C. Capacity
- ENERGY STAR® Certified
- Intuitive Controls
- Sanitize Cycle with Oxi

Color

White



Specifications

Width:
 6858.00, 27.0"
 Centimeters, Inches

Depth:
 8016.88, 31-9/16"
 Centimeters, Inches

Dimensions

Capacity	4-3/10
Depth	8016.88 cm, 31-9/16 in
Gross Weight	97068888.00 kg, 214 lbs
Net Weight	92532768.00 kg, 204 lbs
Width	6858.00 cm, 27.0 in

Appearance

LCD Touch Screen	No
Window	Yes

Details

Advanced Vibration Control™	No
Dispense System	Detergent, Fabric Softener & Bleach
Eco Monitor/Efficiency Monitor	No
Hoses Included	4ft 4in Drain Hose Included
Internal Heater	No
Maximum Spin Speed	1160
Out Of Balance Sensing	Yes
Water Factor	3-1/5

Cycles and Options

Number Of Wash Cycles	35
-----------------------	----

Electrical

Power Cord Included	Yes
---------------------	-----

Controls

Automatic Temperature Controls	Yes
Control Location	Front
LCD Touch Screen	No

Compatibility

Works With	No
------------	----

Options

Number Of Washer Options	7
--------------------------	---

Features

Stackable	Yes
Water Faucet	No

Cycles

Number Of Wash Cycles	35
-----------------------	----

Exterior

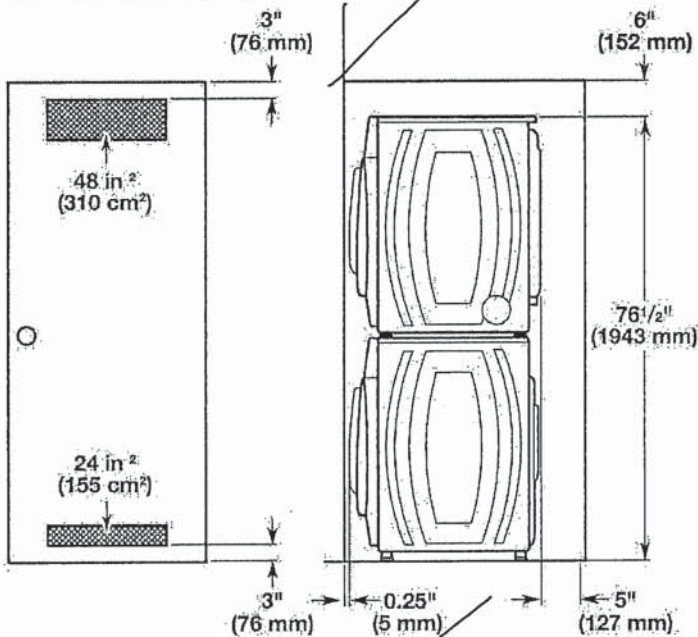
Lid/Door Lock	Yes
Lid/Door Swing	Left

Modifiers

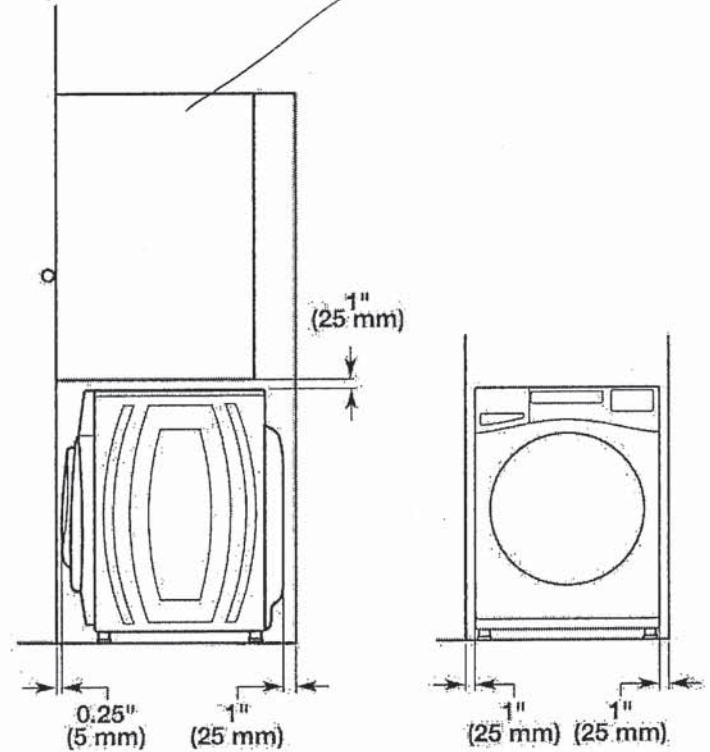
Delay/Start	No
Number Of Rinse Options	2
Number Of Soil Levels	3
Number Of Spin Speeds	4
Number Of Wash/Rinse Temperatures	4
Pre Soak	Yes
Temperature Selections	Hot, Cold, Cool, Warm

47

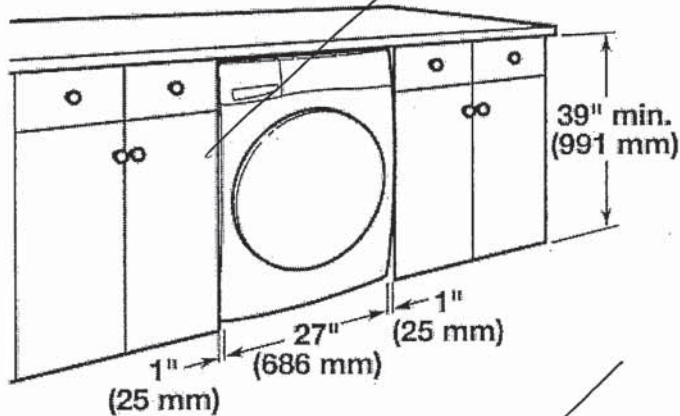
Recessed area or closet installation (stacked washer and dryer)



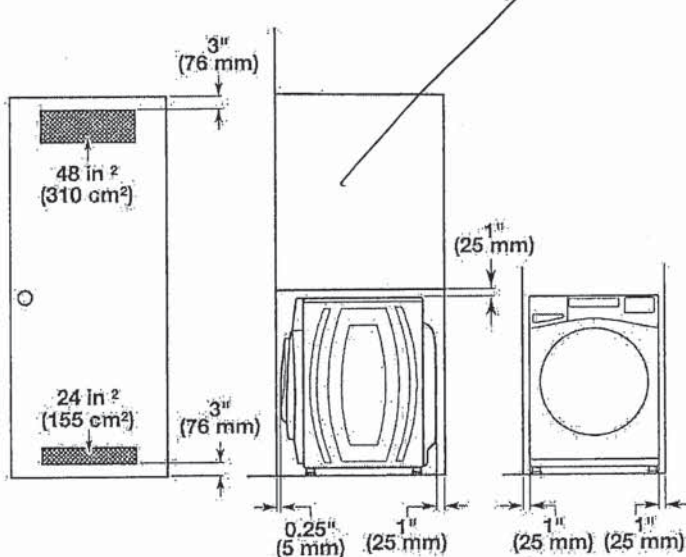
Custom cabinet installation



Custom under counter installation



Recessed area or closet installation (washer only)



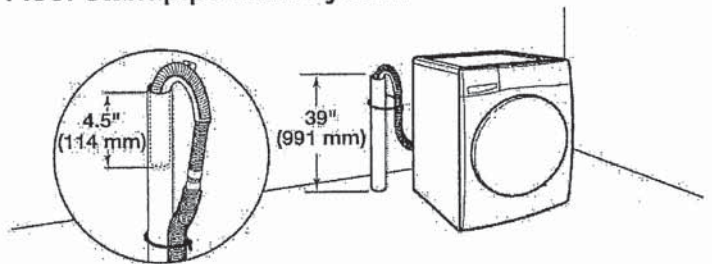
Drain System

It is the responsibility of the installer to install and secure the drain hose in to the provided plumbing/drain in a manner that will avoid the drain hose coming out of or leaking from the plumbing/drain.

Drain system can be installed using a floor drain, wall standpipe, floor standpipe, or laundry tub. Select the method you need.

IMPORTANT: To avoid siphoning, only 4.5" (114 mm) of drain hose should be inside standpipe. Always secure drain hose with cable tie.

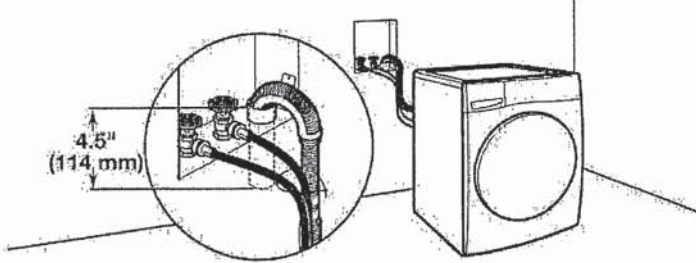
Floor standpipe drain system



Minimum diameter for a standpipe drain: 2" (51 mm). Minimum carry-away capacity: 17 gallons (64 L) per minute. A 1/4" (6 mm) diameter to 1" (25 mm) diameter Standpipe Adapter Kit is available; refer to the Quick Start Guide for online ordering information. Top of standpipe must be at least 39" (762 mm) high; install no higher than 96" (2.4 m) from bottom of washer. If you have an overhead sewer and need to pump higher than 96" (2.4 m), a sump pump and associated hardware are needed. See "Alternate Parts."

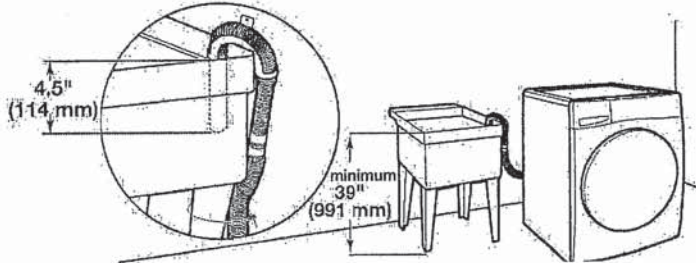
47

Wall standpipe drain system

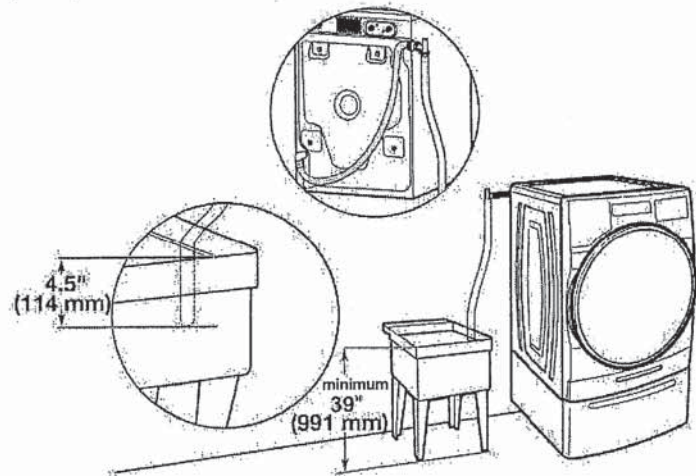


See requirements in "Floor standpipe drain system."

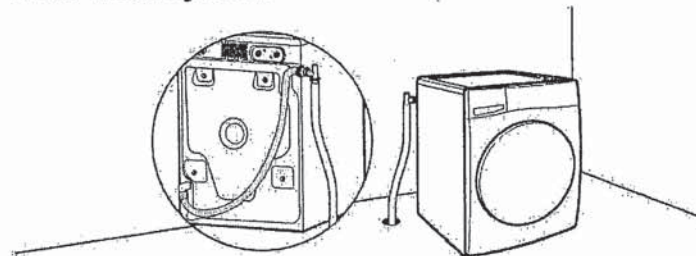
Laundry tub drain system



Minimum capacity: 20 gallons (76 L). Top of laundry tub must be at least 39" (991 mm) from the floor; install no higher than 96" (2.4 m) from bottom of washer.



Floor drain system



Floor drain system requires a Siphon Break Kit, 2 Connector Kits, and an Extension Drain Hose that may be purchased separately; refer to the Quick Start Guide for online ordering information. Minimum siphon break height: 28" (710 mm) from bottom of washer. (Additional hoses may be needed.)

Electrical Requirements

⚠ WARNING



Electrical Shock Hazard

Plug into a grounded 3 prong outlet.

Do not remove ground prong.

Do not use an adapter.

Do not use an extension cord.

Failure to follow these instructions can result in death, fire, or electrical shock.

- A 120 V, 60 Hz, AC only, 15 or 20 A, fused electrical supply is required. A time-delay fuse or circuit breaker is recommended. It is recommended that a separate circuit breaker serving only this appliance be provided.
- This washer is equipped with a power supply cord having a 3-prong grounding plug.
- To minimize possible shock hazard, the cord must be plugged into a mating, 3-prong, grounding-type outlet, grounded in accordance with local codes and ordinances. If a mating outlet is not available, it is the personal responsibility and obligation of the customer to have the properly grounded outlet installed by a qualified electrician.
- If codes permit and a separate ground wire is used, it is recommended that a qualified electrician determine that the ground path is adequate.
- Do not ground to a gas pipe.
- Check with a qualified electrician if you are not sure the washer is properly grounded.
- Do not have a fuse in the neutral or ground circuit.

GROUNDING INSTRUCTIONS

For a grounded, cord-connected appliance:

This appliance must be grounded. In the event of a malfunction or breakdown, grounding will reduce the risk of electric shock by providing a path of least resistance for electric current. This appliance is equipped with a cord having an equipment-grounding conductor and a grounding plug. The plug must be plugged into an appropriate outlet that is properly installed and grounded in accordance with all local codes and ordinances.

WARNING: Improper connection of the equipment-grounding conductor can result in a risk of electric shock. Check with a qualified electrician or serviceman if you are in doubt as to whether the appliance is properly grounded. Do not modify the plug provided with the appliance: If it will not fit the outlet, have a proper outlet installed by a qualified electrician.

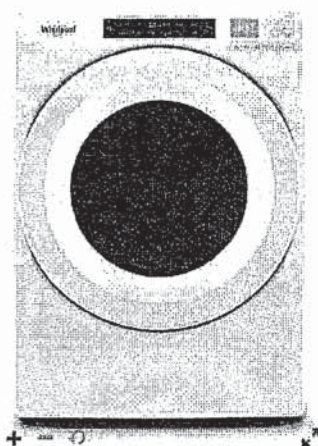
For a permanently connected appliance:

This appliance must be connected to a grounded metal, permanent wiring system, or an equipment-grounding conductor must be run with the circuit conductors and connected to the equipment-grounding terminal or lead on the appliance.

SAVE THESE INSTRUCTIONS

WHIRLPOOL DRYER Model #: YWED5620HW

Whirlpool Brand Canada English | Washer and Dryers | Dryers | Electric Dryers | YWED5620HW



Define Your Style

7.4 cu. ft. Front Load Electric Dryer with Intuitive Touch Controls



Whirlpool 7.4 cu. ft. Front Load Electric Dryer with Intuitive Touch Controls
 Model #: YWED5620HW

Dimensions

Depth	78.74 cm, 31.0 in
Depth With Door Open 90 Degree	138.43 cm, 54-1/2 in
Height	98.42 cm, 38-3/4 in
Width	68.58 cm, 27.0 in

Configuration and Overview

Fuel Type	Electric
-----------	----------

Cycles and Options

Cycle Time Remaining	Yes
Lint Filter Indicator	No
Number of Dryer Cycles	36
Number of Dryness Levels	3

Ventilation System

Long Vent	No
Maximum Vent Length	64
Venting Direction	Left, Right, Bottom, Rear

Electrical

Hz	60
Power Cord Included	Yes

HT JB