

Sales Selection Sheet  
Checklist

1 of 39

LOT 3190A-2 Model: 20-1456 B The Hampton

PURCHASERS: KULVIR SINGH GREWAL/

VENDOR: Heathwood Homes (Huron) Limited

DECK LOT

FINISHED BASEMENT

COLD CELLAR

**UPGRADED / MODIFIED ELEVATION**

CORNER UPGRADE

REAR UPGRADE

**CEILING UPGRADE - SMOOTH**

MAIN FLOOR

SECOND FLOOR

BASEMENT

**ADDITIONAL ROUGH-INS**

200 AMP SERVICE

WET BAR ROUGH-IN

HUMIDIFIER

AIR CONDITIONING (STD)

**GAS ROUGH-IN**

STOVE

DRYER

BBQ

ADDITIONAL FIREPLACE

**KITCHEN: HOODFAN VENTING SIZE**

6 IN ROUND DUCT

7 IN ROUND DUCT

FULL BASEMENT STAIRS:

UPPER BASEMENT STAIRS:

LOWER BASEMENT STAIRS:

MAIN STAIRS:

MEDIA STAIRS (if applicable):

LOFT STAIRS (if applicable):

April 4, 2022 Signature on file  
Date Purchaser:

April 4, 2022 IRIT SALEM  
Date Decor Consultant:

Date Purchaser:

April 4, 2022 MARILYN ROSEN  
Date Approved Heathwood Homes (Huron) Limited

Locked Date:

# Customer Colours

KULVIR SINGH GREWAL/  
 Project: Wallaceton  
 Unit: 3190A-2, Phase: 3  
 Model: 20-1456 B The Hampton

Created: 1/4/2022 11:58:46

Locked:

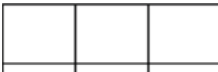
Closed:

## Kitchen

Cabinet Colour/Style	0	Viking III-MANCHESTER-OREGANO-MAPLE ***STD***
Countertop	9069	MSI Quartz GROUP 1 ICED WHITE ***STD***
Countertop Edge	4010	SINGLE POLISHED STRAIGHT EDGE 3/4 INCH ***STD*** 
Cabinet Hardware	4010	9677-HARDWARE ***STD***
Island Cabinet Colour/Style	4010	Viking III-MANCHESTER-OREGANO-MAPLE ***STD***
Island Countertop	9069	MSI Quartz GROUP 1 ICED WHITE ***STD***
Backsplash	1111	N/A *****
Backsplash Grout	1111	N/A *****
Backsplash Tile Pattern	1111	N/A *****

HoodFan	1111	AV1308 Air King 30	PG 26
Appliance	1111	Purchasers have been advised: standard fridge opening is a minimum 37 3/8 x 73 3/8". Ice Waterline Rough-In is included.	
Appliance	1111	Standard stove opening is 30" and standard dishwasher opening is 24". Any gas stove will require backsplash or stainless steel backing to avoid fire hazards.	
Appliance	1111	Purchasers acknowledge: Heathwood Homes and its contractors will not be responsible for any kitchen cabinet changes due to appliances dimension changes after	
Comment			

## Kitchen/Breakfast

Flooring	1111	GE.BY.AZR.1313 New Byzantine Azzuro 13
Floor Tile Grout	1111	Grout-(27) Silver ***STD***
Floor Tile Pattern	3000	STANDARD SQUARE ***STD*** 

# Customer Colours

KULVIR SINGH GREWAL/  
Project: Wallaceton  
Unit: 3190A-2, Phase: 3  
Model: 20-1456 B The Hampton

Created: 1/4/2022 11:58:46

Locked:

Closed:


Comment

## Hall

Flooring

3000

Red Oak Pearl-Vintage  
Engineered-GRYPHON/IRONGATE-3/4 inch x 3-1/4 inch

New size to to revised colour chart see page 40

Comment

## Foyer

Flooring

3000

GE.BY.AZR.1313 New Byzantine Azzuro 13

Floor Tile Grout

3000

Grout-(27) Silver \*\*\*STD\*\*\*

Floor Tile Pattern

3000

STANDARD SQUARE \*\*\*STD\*\*\*


Comment

## Mud Room

Flooring

3000

GE.BY.AZR.1313 New Byzantine Azzuro 13

Floor Tile Grout

3000

Grout-(27) Silver \*\*\*STD\*\*\*

Floor Tile Pattern

3000

STANDARD SQUARE \*\*\*STD\*\*\*


Comment

## Powder Room

Flooring

3000

GE.BY.AZR.1313 New Byzantine Azzuro 13

Floor Tile Grout

3000

Grout-(27) Silver \*\*\*STD\*\*\*

# Customer Colours

KULVIR SINGH GREWAL/  
Project: Wallaceton  
Unit: 3190A-2, Phase: 3  
Model: 20-1456 B The Hampton

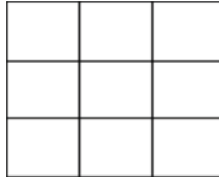
Created: 1/4/2022 11:58:46

Locked:

Closed:

Floor Tile Grout 3000 Group(27) Silver STD

Floor Tile Pattern 3000 STANDARD SQUARE \*\*\*STD\*\*\*



Plumbing Fixture (Colour) 3000 Plumbing Fixtures-WHITE \*\*\*STD\*\*\*

Comment

## Great Room

Flooring 3000 Red Oak Pearl-Vintage  
Engineered-GRYPHON/IRONGATE-3/4 inch x ~~3-1/4 inch~~

New size to to revised colour chart see page 40

Comment

## Upper Hall

Flooring 3000 DY 89418 -Dynasty Tex-BLACK ICE-40 oz Poly\*\*\*STD \*\*\*

Comment

## Finished Basement (Rec) Room/Hall

Flooring 3000 DY 89418 -Dynasty Tex-BLACK ICE-40 oz Poly\*\*\*STD\*\*\*

Comment

## Master Bedroom

Flooring 3000 DY 89418 -Dynasty Tex-BLACK ICE-40 oz Poly\*\*\*STD \*\*\*

Comment

## Bedroom 2

Flooring 3000 DY 89418 -Dynasty Tex-BLACK ICE-40 oz Poly\*\*\*STD \*\*\*

# Customer Colours

KULVIR SINGH GREWAL/  
 Project: Wallaceton  
 Unit: 3190A-2, Phase: 3  
 Model: 20-1456 B The Hampton

Created: 1/4/2022 11:58:46

Locked:

Closed:

Comment

## Bedroom 3

Flooring

3000

DY 89418 -Dynasty Tex-BLACK ICE-40 oz Poly\*\*\*STD \*\*\*

Comment

## Master Ensuite

Cabinet Colour/Style

3000

Viking III-SIMCOE-MOONLIGHT-3DL \*\*\*STD\*\*\*

Countertop

3000

4925K-07-Countertop-CALCUTTA MARBLE-Wilsonart  
 \*\*\*STD\*\*\*

Countertop Edge

1111

N/A \*\*\*\*\*

Cabinet Hardware

1111

9661-HARDWARE \*\*\*STD\*\*\*

Floor Tile

1111

TR.SP.WHITE.1313 SEMPRE White Matte 13

Floor Tile Grout

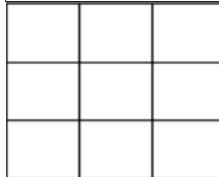
1111

Grout-(19) Pearl Gray \*\*\*STD\*\*\*

Floor Tile Pattern

3000

STANDARD SQUARE \*\*\*STD\*\*\*



Shower Floor Tile

8661

OD.ON.SWT.0202.MT.N-Ontario Series Mosaic-Snow  
 White Matte-2 x 2 \*\*\*STD\*\*\*

Shower Floor Tile Grout

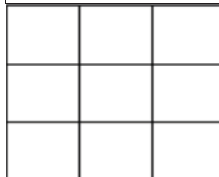
8661

Grout-(00) White \*\*\*STD\*\*\*

Shower Floor Tile Pattern

3000

STANDARD SQUARE \*\*\*STD\*\*\*



Shower Wall Tile

9020

QT.WV.WHT.0810-Weave-White-8 x 10 \*\*\*STD\*\*\*

Shower Wall Tile Grout

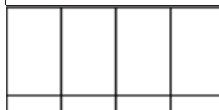
9020

Grout-(00) White \*\*\*STD\*\*\*

Shower Wall Tile Pattern

3090

VERTICAL STACKED \*\*\*STD\*\*\*



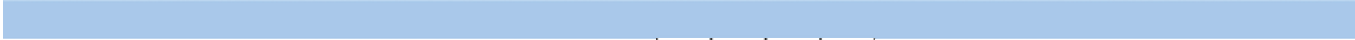
# Customer Colours

KULVIR SINGH GREWAL/  
 Project: Wallaceton  
 Unit: 3190A-2, Phase: 3  
 Model: 20-1456 B The Hampton

Created: 1/4/2022 11:58:46

Locked:

Closed:



--	--	--	--

Shower Jamb(s) and Sill(s)  Shower Jamb / Sill-Thassos White \*\*\*STD\*\*\*

Plumbing Fixture (colour)  Plumbing Fixtures-WHITE \*\*\*STD\*\*\*

Comment

## Main Bathroom

Cabinet Colour/Style  Viking III-SIMCOE-MOONLIGHT-3DL \*\*\*STD\*\*\*

Countertop  4925K-07-Countertop-CALCUTTA MARBLE-Wilsonart \*\*\*STD\*\*\*

Countertop Edge  N/A \*\*\*\*\*

Cabinet Hardware  9661-HARDWARE \*\*\*STD\*\*\*

Flooring  TR.SP.WHITE.1313 SEMPRE White Matte 13

Floor Tile Grout  Grout-(19) Pearl Gray \*\*\*STD\*\*\*

Floor Tile Pattern  STANDARD SQUARE \*\*\*STD\*\*\*


Tub Wall Tile  QT.WV.WHT.0810-Weave-White-8 x 10 \*\*\*STD\*\*\*

Tub Wall Tile Grout  Grout-(00) White \*\*\*STD\*\*\*

Tub Wall Tile Pattern  VERTICAL STACKED \*\*\*STD\*\*\*


Plumbing Fixture (Colour)  Plumbing Fixtures-WHITE \*\*\*STD\*\*\*

Comment

## Finished Basement Bathroom

Cabinet Colour/Style  VIKING III SIMCOE ORCHID 3DL \*\*\*STD\*\*\*

Countertop  P-345 LM-Countertop-INUKSHUK TAUPE-Arborite

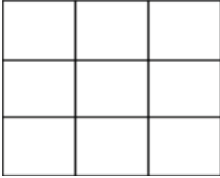
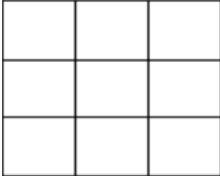
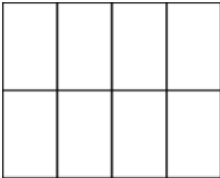
**Customer Colours**

KULVIR SINGH GREWAL/  
 Project: Wallaceton  
 Unit: 3190A-2, Phase: 3  
 Model: 20-1456 B The Hampton

Created: 1/4/2022 11:58:46

Locked:

Closed:

		***STD***
Countertop Edge	1111	N/A *****
Cabinet Hardware	1111	9661-HARDWARE ***STD***
Flooring	1111	TR.SP.WHITE.1313 SEMPRE White Matte 13
Floor Tile Grout	1111	Grout-(27) Silver ***STD***
Floor Tile Pattern	3000	STANDARD SQUARE ***STD*** 
Shower Floor Tile	8661	OD.ON.SWT.0202.MT.N-Ontario Series Mosaic-Snow White Matte-2 x 2 ***STD***
Shower Floor Tile Grout	8661	Grout-(00) White ***STD***
Shower Floor Tile Pattern	3000	STANDARD SQUARE ***STD*** 
Wall Tile	9020	QT.WV.WHT.0810-Weave-White-8 x 10 ***STD***
Wall Tile Grout	9020	Grout-(00) White ***STD***
Wall Tile Pattern	3090	VERTICAL STACKED ***STD*** 
Shower Jamb(s)	3090	Shower Jamb / Sill-Thassos White ***STD***
Plumbing Fixture (Colour)	3090	Plumbing Fixtures-WHITE ***STD***
Comment		

**Great Room Fireplace**

Type	8865	Dimplex-Electric Fireplace-PF3033HL ***STD***
Mantle	8865	NF-17-Paint Grade Mantle- Cabinet (Per Plan)-WHITE ***STD***
Surround Opt.	1111	N/A *****

KULVIR SINGH GREWAL/  
 Project: Wallaceton  
 Unit: 3190A-2, Phase: 3  
 Model: 20-1456 B The Hampton

Created: 1/4/2022 11:58:46

Locked:

Closed:

Disclaimer	1111	Purchasers have been advised: heat from the FP can damage TV above a FP and items placed on mantle.
Disclaimer	1111	Heathwood and its contractors will not be liable for any damage on items placed/installed above a FP after closing.
Comment		

**Basement Stairs**

Type	1111	Carpet Grade Stairs ***STD BASEMENT STAIRS***
Colour	7912	Irongate (Gryphon) STAIN TO COMPLIMENT HARDWOOD AND WILL VARY FROM FLOORING
Carpet Runner	1111	N/A *****
Handrail/Pickets/Post Type	9119	Handrail only on closed walls (one or two sides per building code) ***STD***
Handrail/Pickets/Post Colours	1729	Carpet Grade-Stain handrail, pickets, stringers, nosing_pos
Carpet	1729	DY 89418 -Dynasty Tex-BLACK ICE-40 oz Poly***STD***
Custom Stain/Paint	1111	N/A *****
Comment		

**Basement Stairs Landing(s)**

Flooring	1111	Red Oak Pearl-Vintage Engineered-GRYPHON/IRONGATE-3/4 inch x <del>3-1/4 inch</del> ***3*** <span style="color: red;">New size to to revised colour chart see page 40</span>
Comment		

**Main Stairs**

Type	1111	Oak Stairs ***STD MAIN STAIRS***
Colour	7912	Irongate (Gryphon) STAIN TO COMPLIMENT HARDWOOD AND WILL VARY FROM FLOORING
Carpet Runner	1111	N/A *****
Handrail/Pickets/Posts Type	1111	1 5/16 inch Turned pickets with 3 1/2" Turned Post(s)-ALL OAK***STD***







## CONSTRUCTION SUMMARY

**Lot: 3190A-2**  
**Model: 20-1456 B The Hampton**  
**Project/Phase: Wallaceton / 3**

Offer Worksheet	Five Appliances: SS Fridge, Stove, Dishwasher: White Front Loader Washer/Dryer - Townhomes Note:
-----------------	---

Offer Worksheet	The Purchaser(s) acknowledge that they have NOT been referred by an existing Heathwood Homeowner and therefor are not entitled to a referral fee under Heathwood Homes Referral program. Note:
-----------------	---



## CONSTRUCTION SUMMARY

**Lot: 3190A-2**  
**Model: 20-1456 B The Hampton**  
**Project/Phase: Wallaceton / 3**

### ELECTRICAL

Invoice	Qty.	Description
999 314,224 04Apr22	2	- ELECTRICAL - CEILING ROUGH-IN (CAPPED)  1X KITCHEN- ABOVE THE BREAKFAST BAR- USE SEPARATE SWITCH 1X GREAT ROOM- USE EXISTING SWITCH PLUG  SEE SKETCH # 2
999 314,232 04Apr22	1	GREAT ROOM - ELECTRICAL - EXTRA WALL INTERIOR OUTLET ON EXISTING CIRCUIT (DOES NOT INCLUDE KITCHEN OUTLETS)  TO BE INSTALLED ABOVE THE FIRE PLACE 70" +/- FROM FLOOR SEE SKETCH # 2
999 314,223 04Apr22	1	KITCHEN - ELECTRICAL - ADDITIONAL SWITCH  TO BE USED FOR THE R/I CAP LIGHT ABOVE THE BREAKFAST BAR SEE SKETCH # 2

UK-3 WALLACETON  
LOT 3190A-2  
20-1456 ELEV. B  
THE HAMPTON

12 of 39

# THE HAMPTON

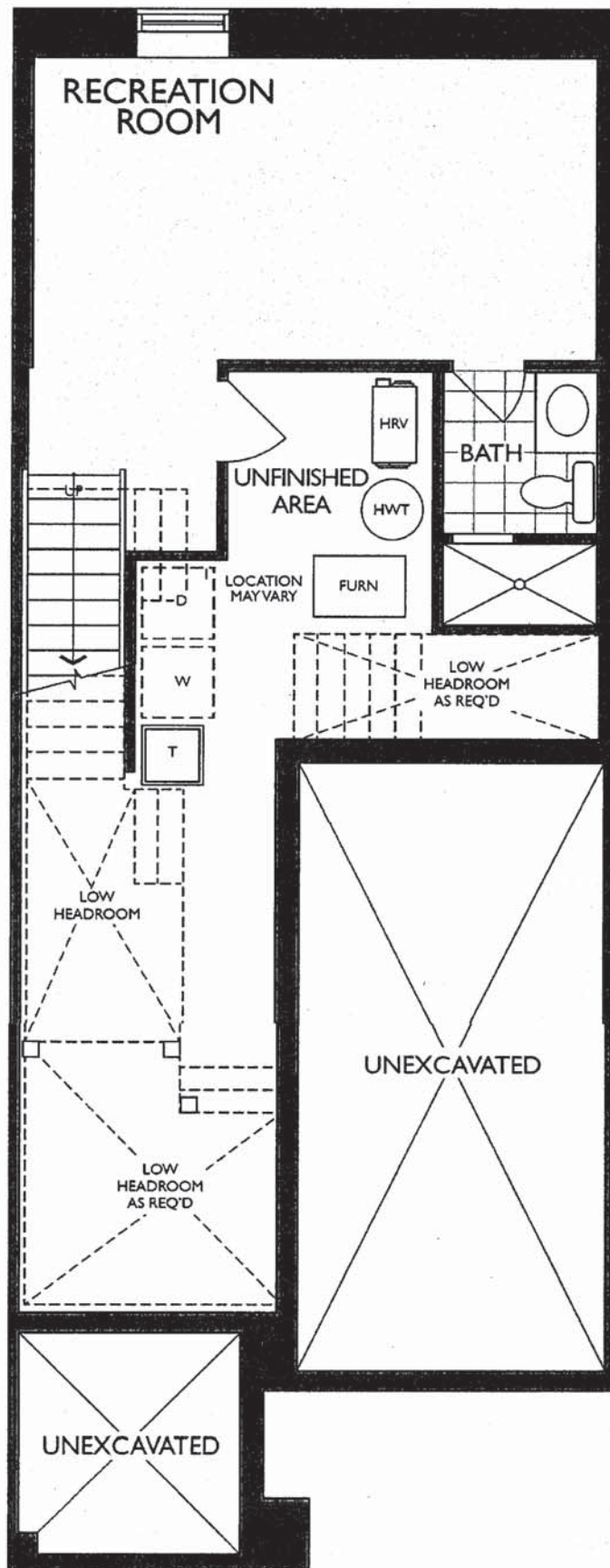
ELEVATION B | 1,800 SQ. FT.

Includes 329 sq. ft. of Finished Lower Level

WALLACETON  
EST. 1870

Sketch #1

20-1456 ELEV. B



LOWER LEVEL  
ELEVATION B

K.C.

Legal Plan Dec. 3, 2020

UK-3 WALLACETON  
LOT 3190A-2  
20-1456 ELEV. B  
THE HAMPTON

13 of 39

# THE HAMPTON

ELEVATION B | 1,800 SQ. FT.

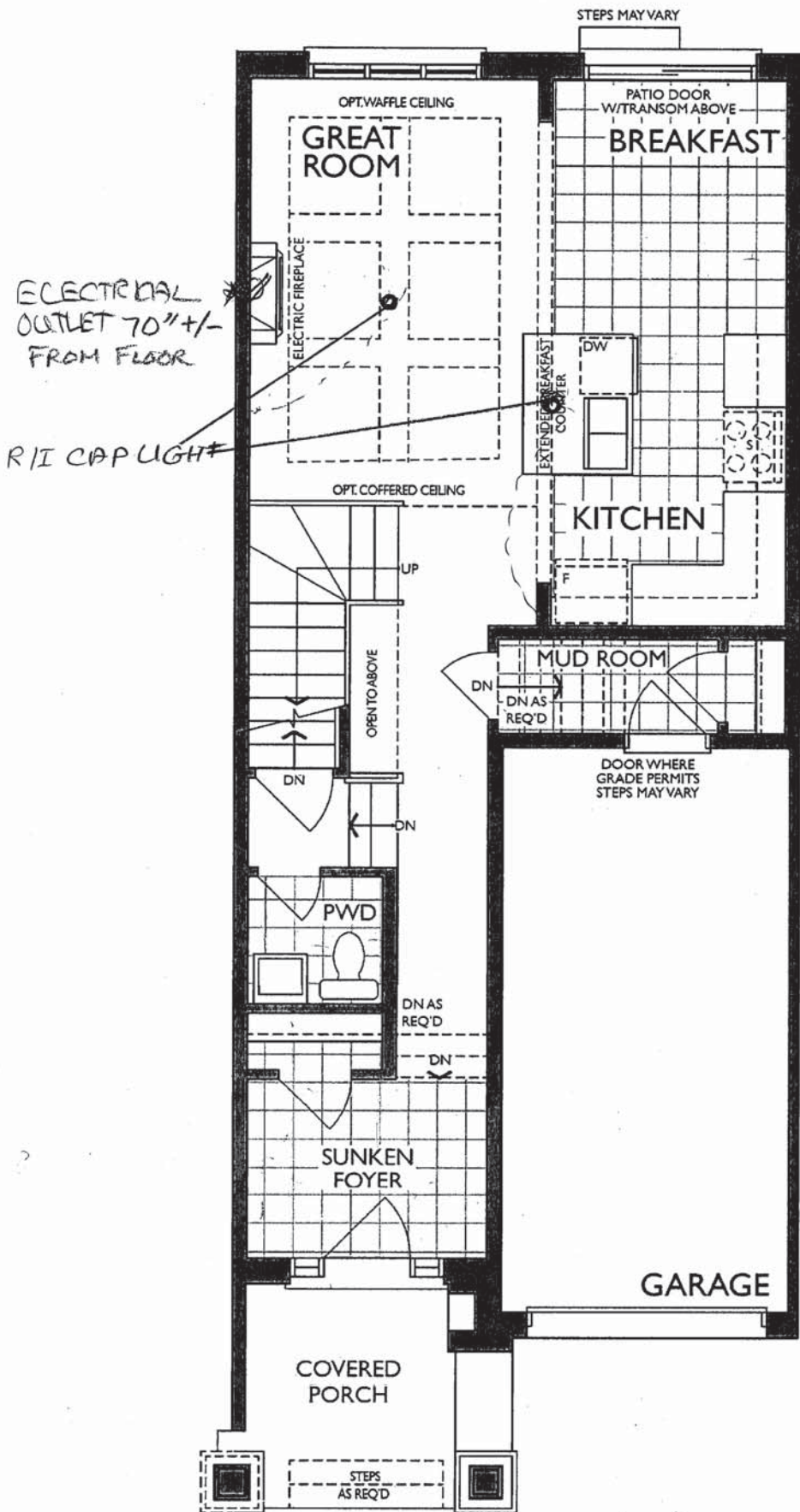
Includes 329 sq. ft. of Finished Lower Level

## WALLACETON

EST. 1870

Sketch #2

### 20-1456 ELEV. B



MAIN FLOOR  
ELEVATION B

K.G.

UK-3 WALLACETON  
LOT 3190A-2  
20-1456 ELEV. B  
THE HAMPTON

14 of 39

# THE HAMPTON

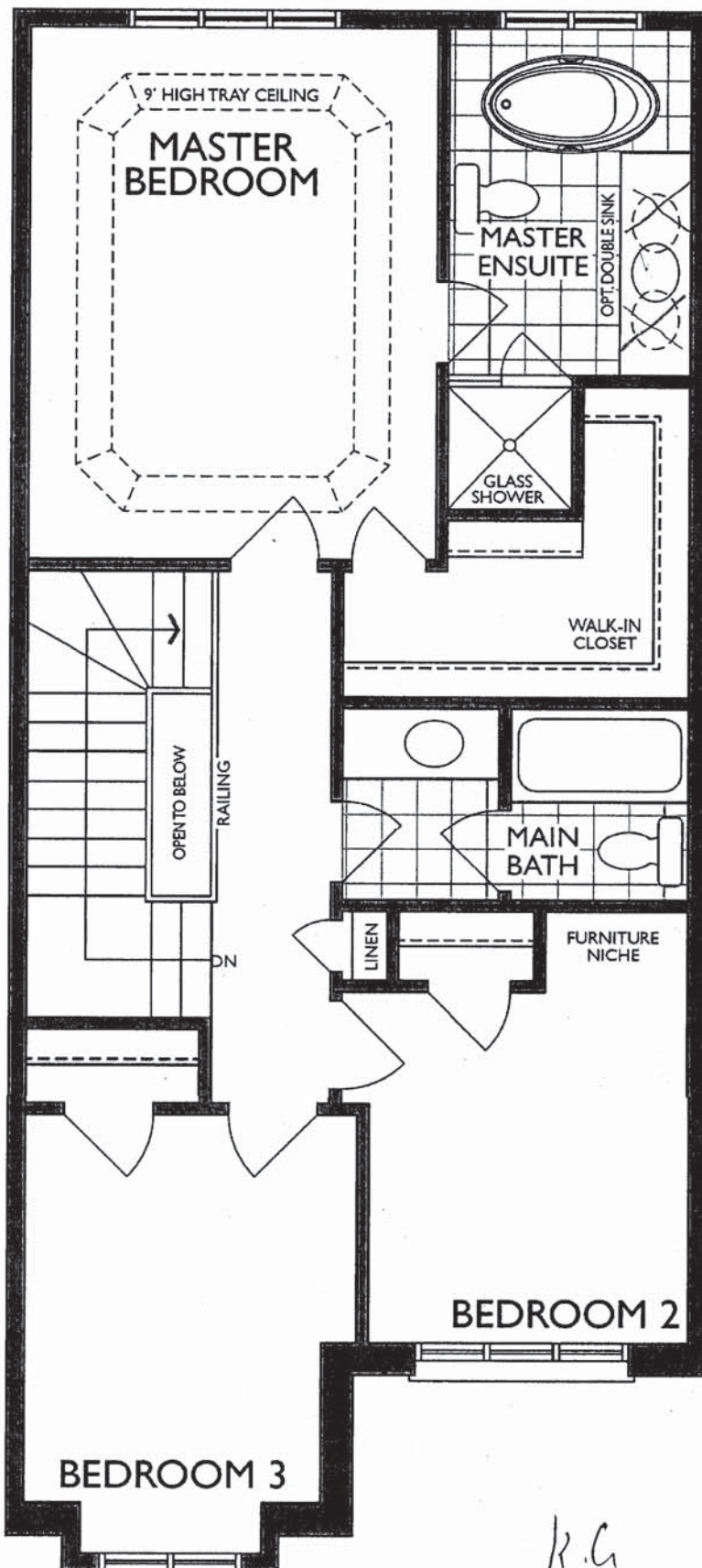
Sketch #3

ELEVATION B | 1,800 SQ. FT.

Includes 329 sq. ft. of Finished Lower Level

20-1456 ELEV. B

WALLACETON  
EST. 1870



SECOND FLOOR  
ELEVATION B

K.G.

Legal Plan Dec. 3, 2020



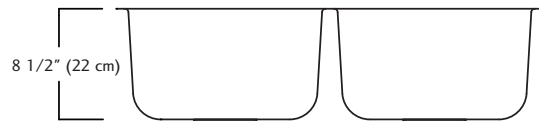
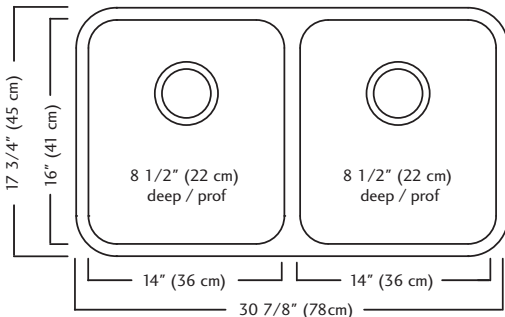
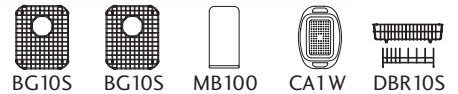
**NFAS NF17 Mantel CABINET**

*Reginox*

ND1831UA/9



Optional Accessories



## ND1831UA/9 SPECIFICATION

Model ND1831UA/9 is a double (two equal size) bowl undermount sink manufactured by Franke Kindred Canada Limited from 18 gauge stainless steel. Product has silk finished rims and linear brush finished bowls. Sink is fully undercoated. Basket strainer waste fittings (3 1/2", 89 mm) are included. Sink is backed with a limited lifetime warranty.

- O.D. 17 3/4" x 30 7/8" x 8 1/2" (45 x 78 x 22 cm)
- **Recommended for minimum 36" cabinet**

Franke Kindred Canada Limited  
 P.O. Box 190, 1000 Franke Kindred Road, Midland, Ontario, Canada, L4R 4K9 Phone: 866-687-7465 Fax: 800-361-8408





## Specifications

### FAUCET DESCRIPTION

- Reflex™ pulldown system offers smooth operation, easy movement and secure docking
- Power Clean™ spray technology
- Metal construction with various finishes identified by suffix
- Quick connect installation
- Pulldown spray with 68" braided hose
- Flexible supply lines with 3/8" compression fittings
- High arc spout provides height and reach to fill or clean large pots while pulldown wand provides the maneuverability for cleaning or rinsing
- 360° rotating spout
- Faucet designed for handle to be mounted on right side only

### OPERATION

- Lever style handle
- Temperature controlled by 100° arc of handle travel
- Operates with less than 5 lbs. of force
- Operates in stream or spray mode in the pullout or retracted position

### FLOW

- Flow is limited to 1.5 gpm (5.7 L/min) max at 60 psi

### CARTRIDGE

- 1255™ Duralast™ cartridge

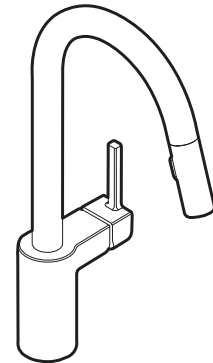
### STANDARDS

- Third party certified to IAPMO Green, ASME A112.18.1/CSA B125.1 and all applicable requirements therein including NSF 61/9G & 372
- Meets CalGreen and Georgia SB370 requirements
- Complies with California Proposition 65 and with the Federal Safe Drinking Water Act
- The backflow protection system in the device consists of two independently operating check valves, a primary and a secondary which prevent backflow

- ADA  for lever handle

### WARRANTY

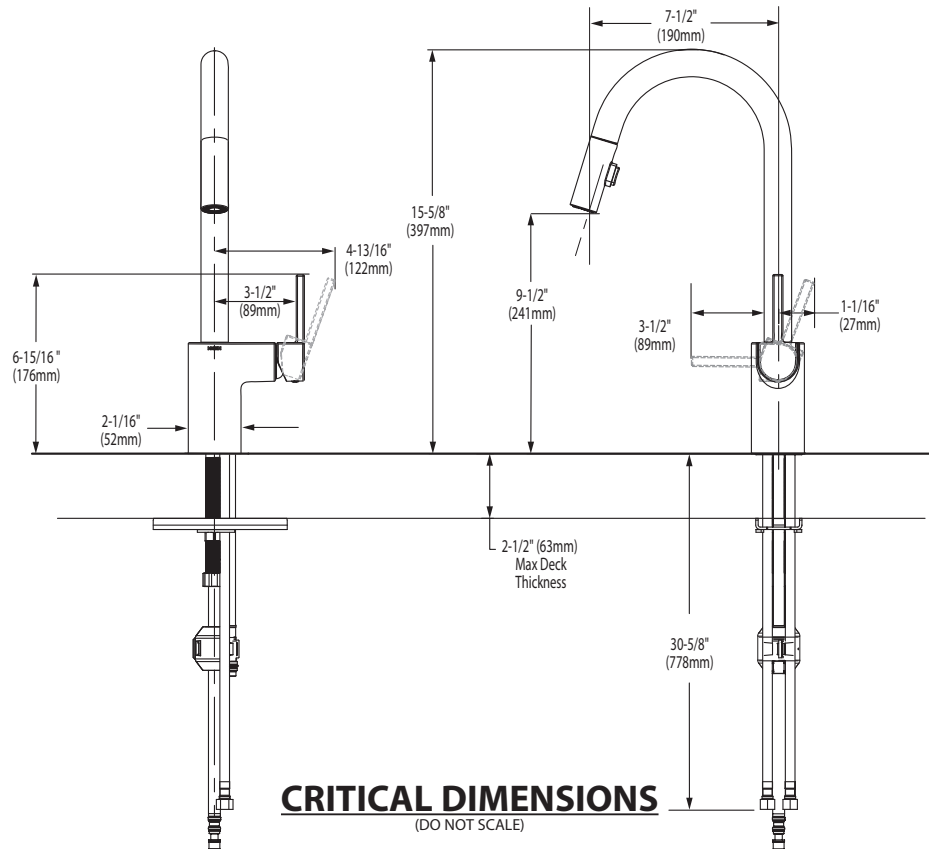
- Lifetime limited warranty against leaks, drips and finish defects to the original homeowner
  - 10 year limited warranty when used in a multifamily installation
  - 5 year limited warranty when used in a commercial installation
- Visit [www.moen.com/support](http://www.moen.com/support) for complete details and limitations



**ALIGN™**  
**Single Handle High Arc  
 Pulldown Kitchen Faucet**

**Models:** 7565 series

**NOTE:** THIS FAUCET IS DESIGNED TO BE INSTALLED THROUGH 1 HOLE, 1-1/2" (38mm) MIN. DIA. (OPTIONAL 3-HOLE ESCUTCHEON 141002 AVAILABLE)





 BARRIER FREE (ABOVE COUNTER OR DROP-IN ONLY)

## BOULEVARD® PEDESTAL SINK VITREOUS CHINA

### BOULEVARD® PEDESTAL SINK

- ~~0641.800 Faucet holes on 8" (203mm) centers (illustrated)~~
- STD**  **0641.400** Faucet holes on 4" (102mm) centers
- ~~0641.100 Center hole only~~
- Classic styled rectangular pedestal lavatory
  - Vitreous china
  - Rear overflow
  - Supplied with mounting kit
  - Right Height® for greater comfort during use
  - Faucet ledge with large deck area (faucet not included)
  - **Design coordinates with Boulevard® Toilet**
  - Basin has flat bottom to also allow use as an **above counter** sink or a **drop-in** sink (with u-shaped cut out)

#### Nominal Dimensions:

24" x 19" x 35-1/2"  
(610 x 483 x 902mm)

- 0641.008** Pedestal top-8" (203mm) centers
- 0641.004** Pedestal top-4" (102mm) centers
- 0641.001** Pedestal top-center hole only
- 0010.000** Pedestal only

#### Bowl sizes:

17" (432mm) wide,  
12-1/2" (318mm) front to back,  
5" (127mm) deep

#### Compliance Certifications -

#### Meets or Exceeds the Following Specifications:

- ASME A112.19.2 - 2008/CSA B45.1-08



SEE REVERSE FOR ROUGHING-IN DIMENSIONS

#### To Be Specified:

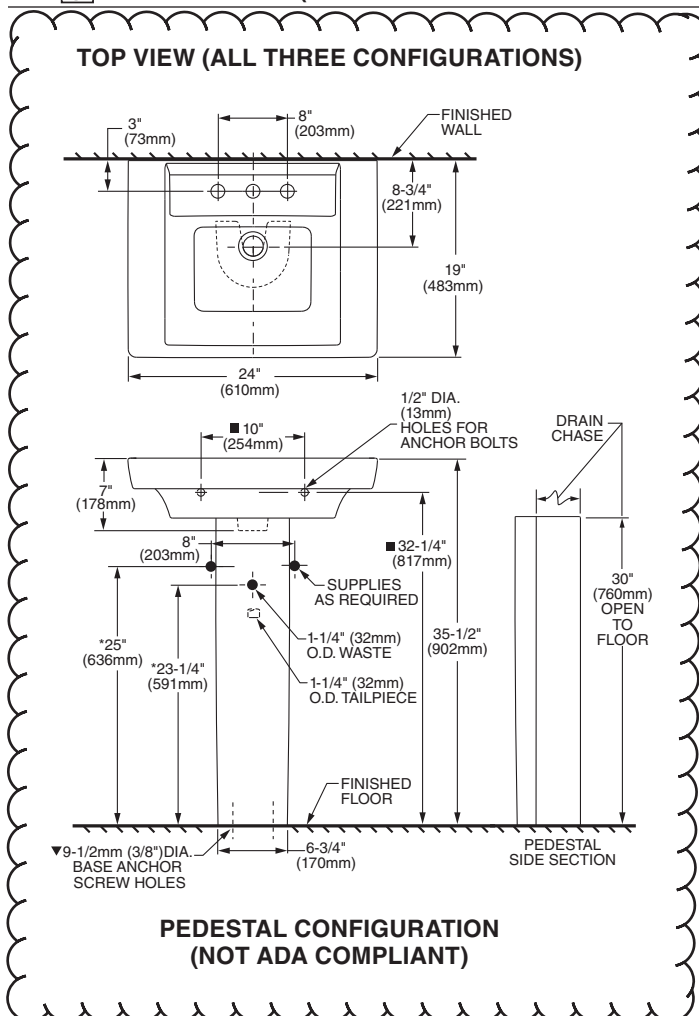
- Color:  White  Linen
- Faucet Finish:
- Supplies:
- 1-1/4" Trap:
- Nipple:

\* See faucet section for additional models available

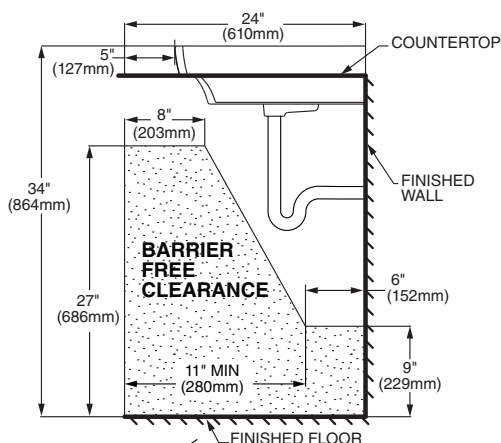
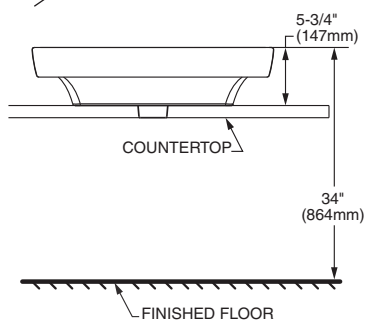


## BOULEVARD® PEDESTAL SINK VITREOUS CHINA

BARRIER FREE (ABOVE COUNTER OR DROP-IN ONLY)



### ABOVE COUNTER CONFIGURATION



### DROP-IN SINK CONFIGURATION

ABOVE COUNTER AND DROP-IN SINK CONFIGURATIONS MEET THE AMERICANS WITH DISABILITIES ACT GUIDELINES AND ANSI A117.1 ACCESSIBLE AND USABLE BUILDINGS AND FACILITIES - CHECK LOCAL CODES.  
 Top of sink installed at 34" (864mm) height from finished floor.  
 Sink installed 5" (127mm) minimum from front edge of countertop.  
 Provide 27" (686mm) knee clearance area.

**NOTES:**  
 \* DIMENSIONS SHOWN FOR LOCATION OF SUPPLIES AND "P" TRAPS ARE SUGGESTED.  
 ▼ PEDESTAL ANCHORING SCREWS NOT INCLUDED.  
 ■ SUITABLE FOR REINFORCEMENT ONLY. ACTUAL DIMENSIONS MUST BE TAKEN FROM FIXTURE.  
 FITTING NOT INCLUDED AND MUST BE ORDERED SEPARATELY.  
 PROVIDE SUITABLE REINFORCEMENT FOR ALL WALL SUPPORTS.  
 INSTALLATION INSTRUCTIONS SUPPLIED WITH LAVATORY.

**IMPORTANT:** Dimensions of fixtures are nominal and may vary within the range of tolerance established by ANSI Standard A112.19.2. These measurements are subject to change or cancellation. No responsibility is assumed for use of superseded or voided pages.



**BARRIER FREE**

**COLONY™**  
**COUNTERTOP SINK**  
 VITREOUS CHINA

**COLONY COUNTERTOP SINK**

- Vitreous china
- Self-rimming
- Front overflow
- Supplied with template
- Faucet deck  
(Faucet shown not included)



**0346 803**

Faucet holes on 203mm (8") centres

**STD**  **0346 403** (Illustrated)

Faucet holes on 102mm (4") centres

**0346 001**

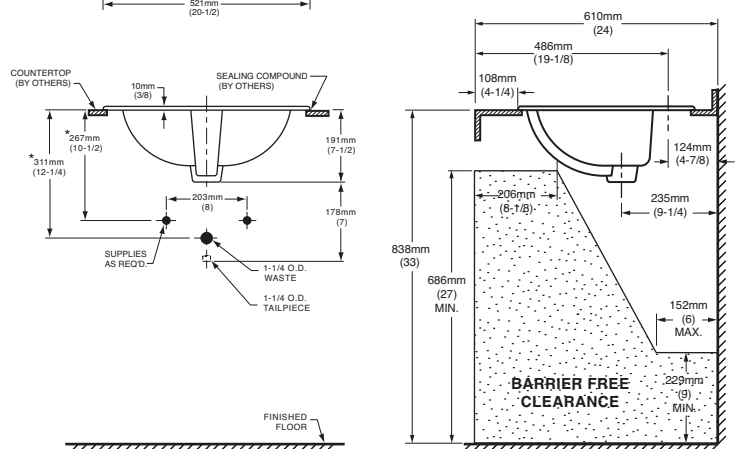
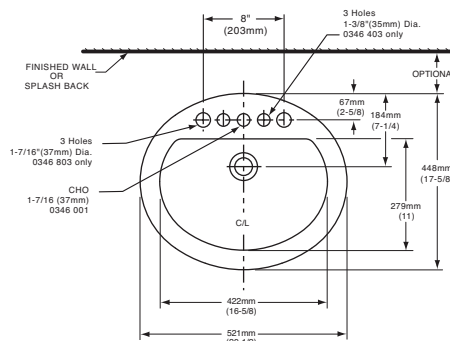
Centre hole only

**Nominal Dimensions:**

521 x 448mm (20-1/2" x 17-5/8")

**Bowl sizes:**

422mm (16-5/8") wide, 279mm (11") front to back, 143mm (5-5/8") deep



**COMPLIANCE CERTIFICATIONS –**

Meets or exceeds the following Specifications:

- ASME A112.19.2M for Vitreous China Fixtures.
- CAN/CSA B45 Series.

**To Be Specified**

- Colour:  White  Bone  Silver Gray  Linen
- Faucet\*:
- Faucet Finish:
- Supplies & Stops:
- Trap 1-1/4" (32 mm):

**NOTES:**

\* DIMENSIONS SHOWN FOR LOCATION OF SUPPLIES AND "P" TRAP ARE SUGGESTED. FOR COUNTERTOP CUTOUT AND INSTALLATION INSTRUCTIONS USE TEMPLATE SUPPLIED WITH SINK. FAUCETS NOT INCLUDED AND MUST BE ORDERED SEPARATELY. IMPORTANT: Dimensions of fixtures are nominal and may vary within the range of tolerances established by ANSI Standard A112.19.2. These measurements are subject to change or cancellation. No responsibility is assumed for use of superseded or voided pages.

\* See faucet section for additional models available



## DEMI™ Product Specification Sheet

### Two Piece Freestanding Collection



CF2007 Two Piece Freestanding Soaker

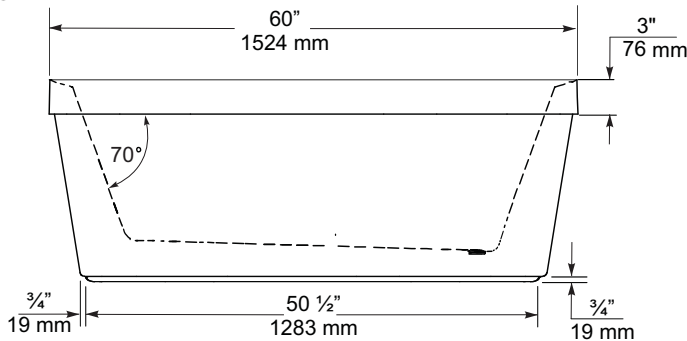
Size: 60" x 32" x 22"  
 1524 mm x 813 mm x 559 mm

#### PRODUCT FEATURES & BENEFITS

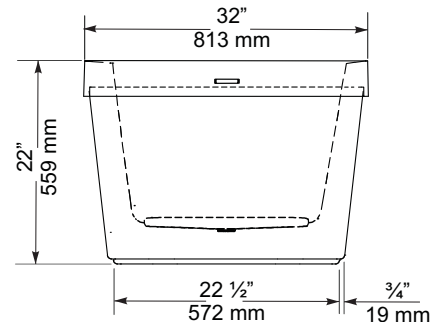
- Vacuum formed acrylic reinforced with fiberglass
- Scratch, stain and fade resistant high gloss finish
- Installation friendly two piece design
- Accepts deck mounted faucet
- Includes integral pop up drain and rectangular overflow
- Includes levelling feet

#### TWO PIECE ASSEMBLY

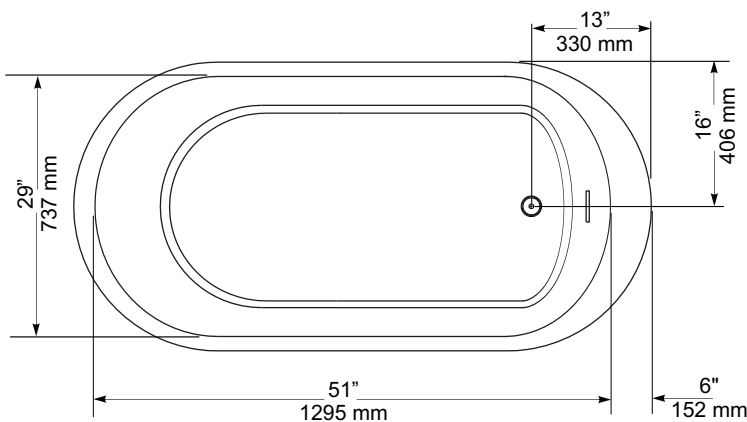
FRONT VIEW



END VIEW



TOP VIEW



#### GENERAL SPECIFICATIONS

Average Weight	90 lb	41 kg
Bathing Well at bottom	43" x 20"	1092 x 508 mm
Capacity Drain to Overflow		195 litres
Water Depth Drain to Overflow	16"	406 mm
Drain Opening (dia.)	2"	51 mm
Overflow Opening	2 1/4" x 1/2"	57 x 13 mm
Drain to Floor Clearance	3 1/4"	83 mm

**NOTES:** Please confirm measurements on actual product to ensure proper identification. Bathtub to be installed on the floor supported by 5 self levelling feet. Adjust if required to level the bathtub for adequate drainage. Refer to installation instructions for additional information.

**IMPORTANT:** Dimensions of fixtures are nominal and may vary ± 1/4" (6 mm). Weight may vary ± 5 lb (2.3 kg). Drawing is not to scale. These measurements are subject to change at manufacturer's discretion.

#### Compliance Certifications -

Meets or Exceeds the following Specifications:

- CAN/CSA - B45 Series



60 Shorncliffe Rd., Toronto, Ontario M8Z 5K1  
 Telephone: 416.231.9030 Fax: 416.231.0929  
 www.mirolin.com

Customer Service: 416.231.5790  
 Canada, U.S.A.: 800.MIROLIN(647-6546)  
 Fax, Canada: 800.463.2236

R0084162  
 25 Sep. 2018

*American Standard*

Style That Works Better

## FloWise™ DUAL FLUSH ELONGATED TOILET

VITREOUS CHINA

### FloWise™ DUAL FLUSH ELONGATED TOILET

**2476 216**

- Vitreous china
- Low-consumption Dual Flush  
 Full flush 6.0 Lpf/1.3 gpf,  
 Partial flush 3.0 Lpf/0.66 gpf.
- Elongated wash down bowl
- Internal trapway fully-glazed,  
 2-1/4" (57mm) ballpass
- Concealed trapway bowl
- Chrome-plated top mounted  
 push button actuator
- Easy to clean sanitary dam on bowl
- Includes Elongated Slow Close Seat
- 100% factory flush tested
- 2 bolt caps

**Separate Component Parts:**

- 3067 316** Elongated Bowl with Slow Close Seat
- 4035 216** Unlined Tank



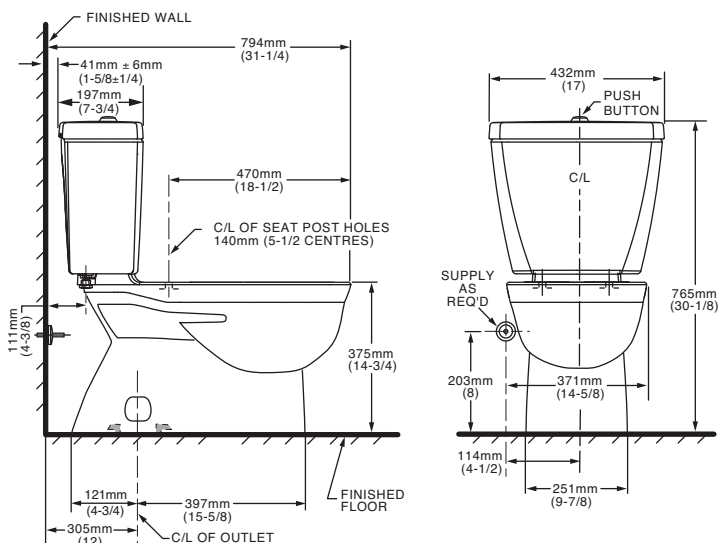
**2476 516** Same as above with Lined tank

- 3067 316** Elongated Bowl
- 4035 516** Lined Tank

Nominal Dimensions:  
 794 x 432 x 765mm  
 (31-1/4" x 17" x 30-1/8")

**Compliance Certifications -  
 Meets or Exceeds the Following Specifications:**

- ASME A112.19.2M (and 19.6M)
- CAN/CSA B45 series



**NOTES:**

THIS TOILET IS DESIGNED TO ROUGH-IN AT A MINIMUM DIMENSION OF 305MM (12") FROM FINISHED WALL TO C/L OF OUTLET.  
 SUPPLY NOT INCLUDED WITH FIXTURE AND MUST BE ORDERED SEPARATELY.  
 \* DIMENSION SHOWN FOR LOCATION OF SUPPLY IS SUGGESTED.  
 FOR ADDITIONAL INFORMATION REFER TO INSTALLATION INSTRUCTIONS SUPPLIED.  
 IMPORTANT: Dimensions of fixtures are nominal and may vary within the range of tolerance established by ANSI Standard A112.19.2  
 These measurements are subject to change or cancellation. No responsibility is assumed for use of superseded or voided pages.

To Be Specified

- Colour: 020 White
- Supply with stop:

**UPGRADED VALUE ADDED FEATURES AT NO EXTRA CHARGE**



## Specifications

### DESCRIPTION

- Metal construction with various finishes identified by suffix
- 16" long 3/8" tubing connections
- Includes metal or 50/50 pop-up type waste assembly where noted

### OPERATION

- Pivot action lever style handle
- Temperature controlled through 180° degree arc of handle travel


### FLOW

- Flow is limited to 1.5 gpm max (5.7L/min) at 60 psi

### CARTRIDGE

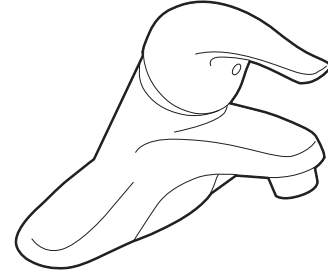
- 1225 cartridge design
- Nonmetallic/nonferrous and stainless steel material
- Can accommodate reversed piping and back to back installations

### STANDARDS

- Third party certified to WaterSense®, CSA B-125.1, ASME A112.18.1 and all applicable requirements referenced therein including NSF61/9
- Complies with California Proposition 65 and with the Federal Safe Drinking Water Act
- **ADA**  for lever handle

### WARRANTY

- Lifetime limited warranty against leaks, drips and finish defects to the original consumer purchaser
- 5 year warranty if used in commercial installations



### CHATEAU® Single-Handle Lavatory Faucet

#### with Metal Waste Assembly

Model: L4625 series  
L4631BC

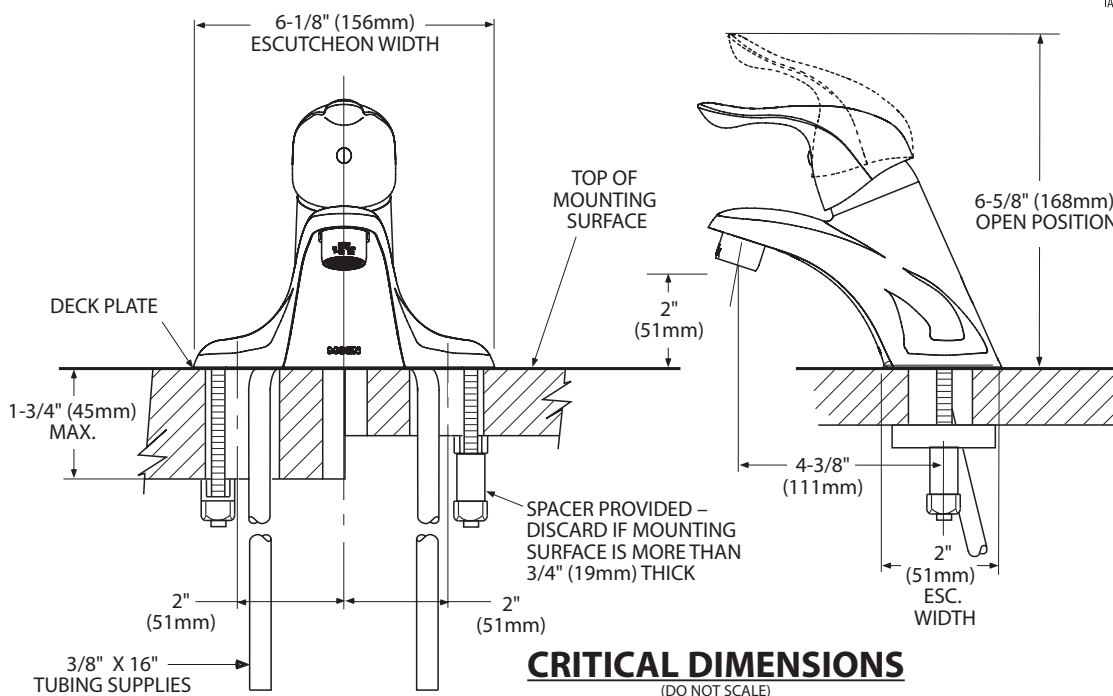
**Bulk Packed (12 per carton):**  
L64624 series

#### with 50/50 Waste Assembly

**Bulk Packed (12 per carton):**  
L64625 series

**Less Waste**  
**Bulk Packed (12 per carton):**  
L64600 series

**NOTE:** THIS FAUCET IS DESIGNED TO BE INSTALLED THRU 3-1" DIA. HOLES, 2" ON CENTER





Buy it for looks. Buy it for life.®

*There is more than 1 version of this model.  
 Page down to identify the version you have.*

**DESCRIPTION**

- Metal construction with various finishes identified by suffix
- Includes non-metallic showerhead, arm, flange and non-metallic diverter tub spout

**OPERATION**

- Handle operates counterclockwise through a 270° arc with off at 6 o'clock and maximum hot at the 9 o'clock position. Shut off in clockwise direction
- Adjustable temperature limit stop to control maximum hot water temperature
- Pressure balancing mechanism maintains selected discharge temperature to ± 3°

**FLOW**

- Showerhead is limited to 2.5 gpm (9.5 L/min) at 80 psi
- EP suffix models are limited to 1.75 gpm (6.6 L/min) at 80 psi
- NH suffix models contain no showerhead

**CARTRIDGE**

- 1222 cartridge design
- Accommodates back to back installations
- Nonmetallic/nonferrous and stainless steel material

**STANDARDS**

- Third party certified to meet ASME A112.18.1/CSA B125.1 and all applicable requirements referenced therein
- EP suffix models are third party certified to WaterSense®

- **ADA** for lever handle

**WARRANTY**

- Lifetime limited warranty against leaks, drips and finish defects to the original consumer purchaser
- 5 year warranty if used in commercial installations

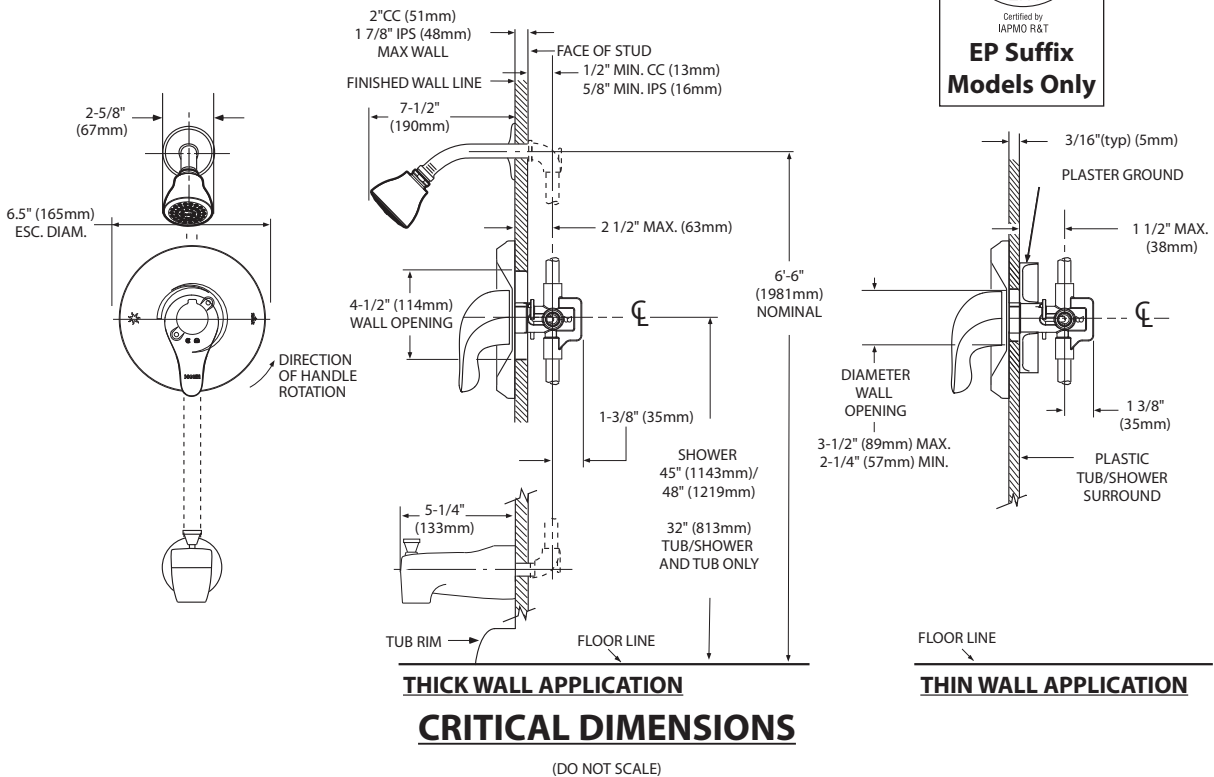
## Specifications



**CHATEAU® POSI-TEMP®  
 Single-Handle Tub/Shower Trim Kit**

- Models:** TL181 series - valve trim only  
 (Bulk Packed 12 per carton)  
 TL182 series - shower trim only  
 (Bulk Packed 12 per carton)  
 TL183 series - tub/shower trim  
 (Bulk Packed 12 per carton)

- Valves:** 62300 series  
 2500 series







## Specifications

### DESCRIPTION

- Metal construction with various finishes identified by suffix

### OPERATION

- Lever style handles with hot and cold color indicator
- Rotate hot side handle counterclockwise to open (clockwise to close) and the cold side handle (clockwise to open) and (counterclockwise to close)

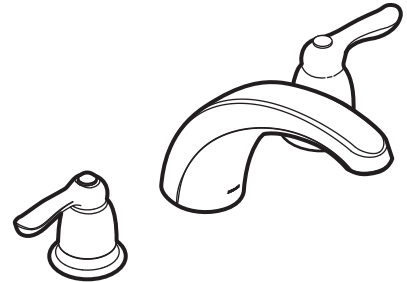
### STANDARDS

- Third party certified to: ASME A112.18.1/CSA B-125.1, and all applicable requirements referenced therein

- ADA  for lever handles

### WARRANTY

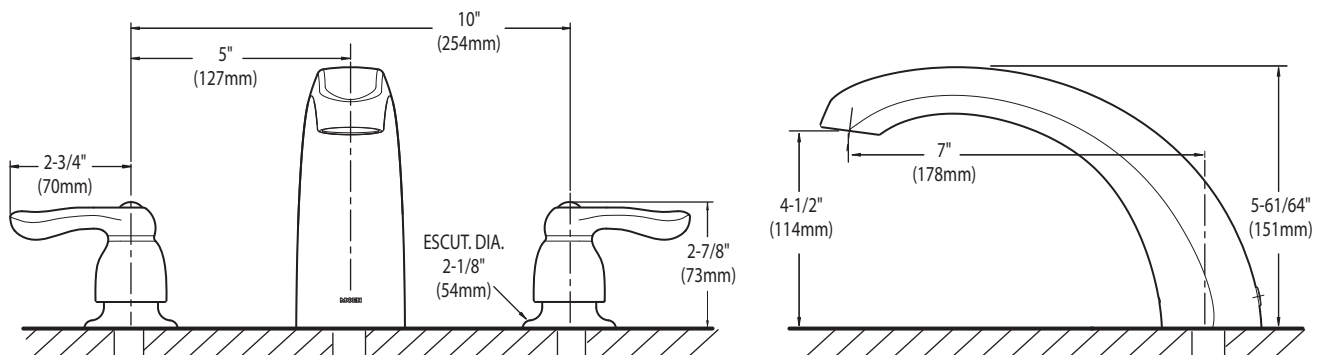
- Lifetime limited warranty against leaks, drips and finish defects to the original homeowner
  - 10 year limited warranty when used in a multi-family installation
  - 5 year limited warranty when used in a commercial installation
- Visit [www.moen.com/support](http://www.moen.com/support) for complete details and limitations



**CHATEAU®**  
**Two-Handle Garden Tub Trim**

**Models:** T994 series

**Valves:** 4792, 4793, 4794, 4796, 4797, 4798



### CRITICAL DIMENSIONS

(DO NOT SCALE)



SPECIFICATIONS  
**AV SERIES**  
 RANGE HOODS

**HVI 2100 CERTIFIED**  
 180 CFM/7.0 Sones @ 0.10" SP. Horizontal  
 180 CFM/7.5 Sones @ 0.10" SP. Vertical

**Dimensions**

Overall bottom projection - 18<sup>3</sup>/<sub>8</sub>"  
 Overall top projection - 12"  
 Height - 6"  
 Available widths: 21", 24", 30", 36" & 42"

**Hood Body**

Stainless Steel: 24 gauge, grade 430 stainless steel.  
 Painted: 23 gauge cold rolled commercial grade (CRCQ) steel, auto welded, coated with a baked enamel finish.

**Motor**

2 speed, single coil, thermally protected, permanently lubricated.  
 Rated 120 volts, 60 hz. Complete with 200°C lead wires.

**Lighting**

Single 60 watt cook light capacity (bulb not included).

**Ducting Options**

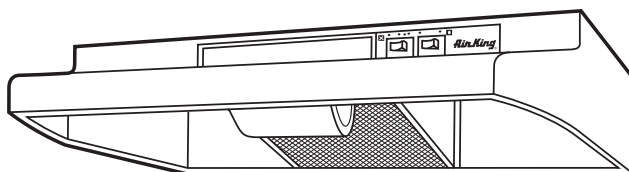
Horizontal ducting: 3<sup>1</sup>/<sub>4</sub>"x10" (duct adapter and damper included).  
 Vertical ducting: 3<sup>1</sup>/<sub>4</sub>"x10" (duct adapter and damper included).  
 Vertical ducting: 7" round (duct adapter and damper not included).  
 Ductless: removable front vent (charcoal filter not included).

**Fan Blade**

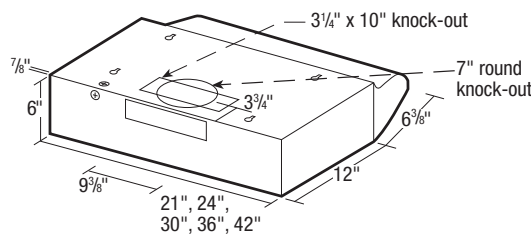
One piece polymeric, electronically balanced blade. 6<sup>5</sup>/<sub>8</sub>" diameter with 5 paddles.

**Electrical connection**

Hood top - 7/8" knockout hole for use with 1/2" cable clamp  
 Hood back - 7/8" knockout hole for use with 1/2" cable clamp



**AV SERIES**



**Filters**

UL rated, class 2 filter.  
 Grease Filter: RF35 - 8<sup>7</sup>/<sub>8</sub>"x10<sup>3</sup>/<sub>8</sub>" (included).  
 Charcoal Filter: RF34 (not included).  
 Combo Grease/Charcoal: RF55 (not included).

**Available Finishes**

White, Biscuit, Almond, Black & Stainless Steel.

EXPANDED PERFORMANCE										
Air Flow - CFM	Static Pressure (inches of w.g.)						Sones @ .1 SP	Fan Speed RPM	Power Watts	Apms
	0	0.05	0.1	0.15	0.2	0.25				
Vertical Ducting High	246	232	218	203	181	147	7.5	2973	87.0	2.1
Horizontal Ducting High	225	210	180	175	155	120	7.0	3024	87.0	2.1

<b>PROJECT</b>							<b>ARCHITECT</b>			
<b>LOCATION</b>							<b>ENGINEER</b>			
<b>CONTRACTOR</b>							<b>SUBMITTED BY</b>			<b>DATE</b>
FAN NUMBER	MODEL NUMBER	CFM	IN W.C.	RPM	WATTS	AMPS	SONES	QTY	OPTIONAL EQUIPMENT & REMARKS	



**Air King:** 820 Lincoln Avenue  
 West Chester, Pennsylvania 19380-4466  
 Tel: (610) 692-7400 • 877-304-3785  
 Fax: (610) 696-8048

**Canada:**  
 Brampton, Ontario  
 Tel: 905-456-2033  
 Fax: (905) 456-1015



## 21 cu. ft. Top-Freezer Refrigerator WRT541SZD



Fingerprint-Resistant Stainless  
 WRT541SZDZ

**Also available in:**

- White **WRT541SZDW**
- Black **WRT541SZDB**
- Monochromatic Stainless Steel **WRT541SZDM**

### Capacity

Total Capacity	21 cu. ft.
Refrigerator Capacity	15 cu. ft.
Freezer Capacity	6 cu. ft.

### General Features & Properties

- EZ Connect Icemaker Kit
- LED Interior Lighting
- ENERGY STAR® Certified
- Electronic Temperature Controls
- Freezer Temperature Controls
- Clear Door Bins
- Adjustable Door Bins
- Quiet Cooling
- Fingerprint Resistant

### Electrical Details

Amps	6.5
Volts	115

### Certifications

ADA Compliant	Yes
ENERGY STAR® Certified	Yes

### Technical Details

Refrigerator Type	Top-Freezer
Number of Doors	2
Number of Interior Refrigerator Shelves	3
Number of Refrigerator Door Bins	1 Fixed, 4 Adjustable
Number of Interior Freezer Shelves	1
Number of Freezer Door Bins	2 Fixed
Lighting Type	LED
Ice Maker	Optional
Ice Maker Location	Freezer
Dispenser Type	N/A

### Dimensions

Product Dimensions (H x W x D)	66-1/4" x 32-3/4" x 34"
Depth with Door Open 90°	62-1/4"
Cutout Dimensions	Allow extra 1/2" on sides and top Allow extra 1" on rear

### Reference Material

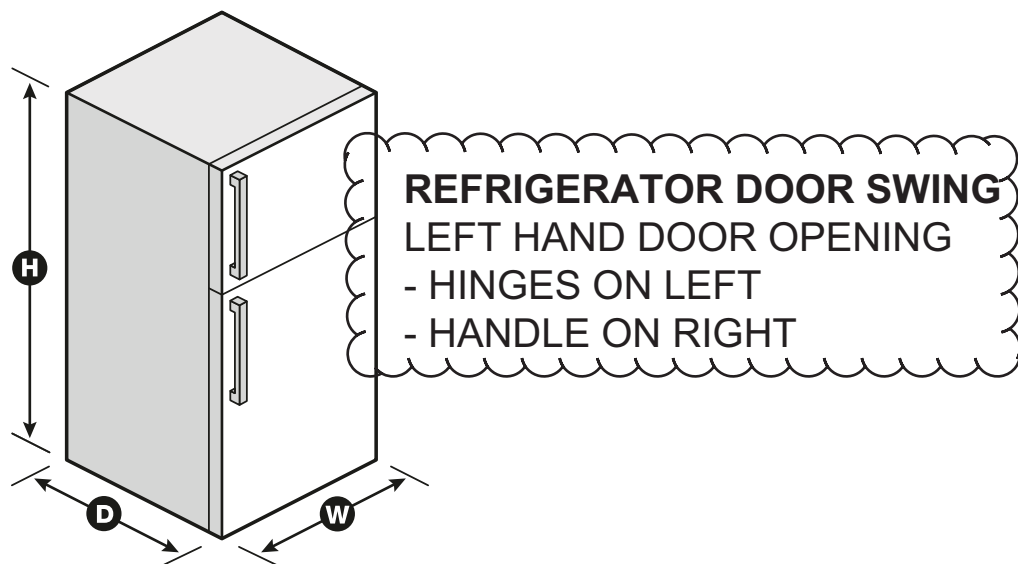
- [Dimension Guide](#)
- [Use & Care Guide](#)
- [Energy Guide](#)
- [Warranty](#)

### Key Features & Benefits

**Frameless Glass Shelves**  
 Store more items on wall-to-wall shelves for greater storage flexibility.

**Flexi-Slide™ Bin**  
 Make space for tall items with the bin that quickly and easily moves side to side.

**Humidity-Controlled Crispers**  
 Store fruits and vegetables in their ideal environment.



NOTE: Dimensions are for planning purposes only. For complete details, see Installation Instructions packed with product. Specifications subject to change without notice.

®/™ © 2020. All rights reserved. Printed in the U.S.A. D200052XXC. WRT541SZDSPECSHEETV01.

## Whirlpool® Top Mount Refrigerator

### PRODUCT MODEL NUMBERS

WRT311FZD      WRT541SZD  
 WRT511SZD

**Electrical:** A 115-volt, 60-Hz, AC-only, 15- or 20-amp fused, grounded electrical supply is required. It is recommended that a separate circuit serving only your refrigerator be provided. Use an outlet that cannot be turned off by a switch. Do not use an extension cord.

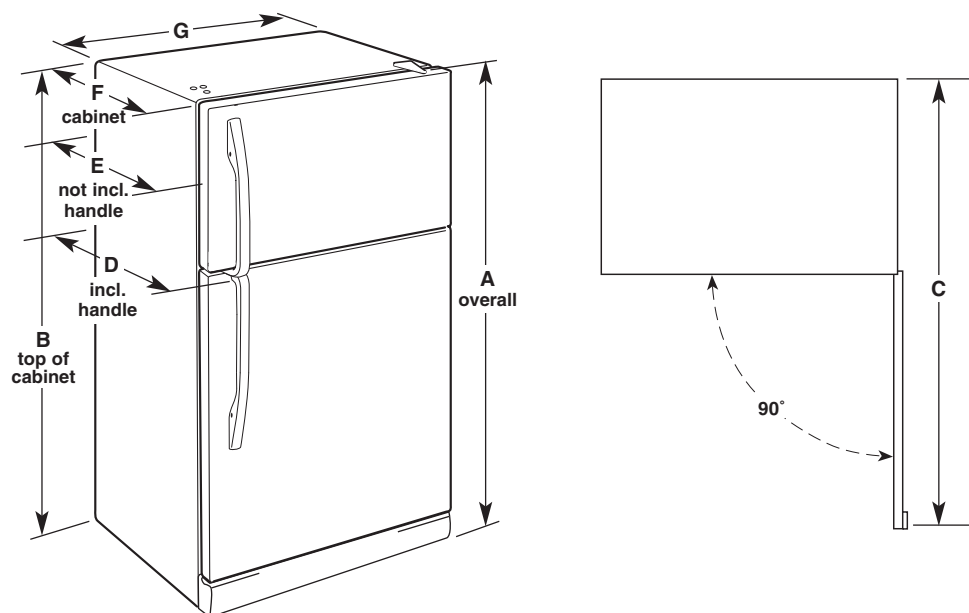
**NOTE:** Before performing any type of installation, cleaning, or removing a light bulb, turn the control (Thermostat, Refrigerator or Freezer Control depending on the model) to OFF and then disconnect the refrigerator from the electrical source. When you are finished, reconnect the refrigerator to the electrical source and reset the control (Thermostat, Refrigerator or Freezer Control depending on the model) to the desired setting. See "Using the Controls."

**Water:** A cold water supply with water pressure between 30 and 120 psi (207 and 827 kPa) is required to operate ice maker and water dispenser. If you have questions about your water pressure, call a licensed, qualified plumber.

**IMPORTANT:** The pressure of the water coming out of a reverse osmosis system going to the water inlet valve of the refrigerator needs to be between 30 and 120 psi (207 and 827 kPa).

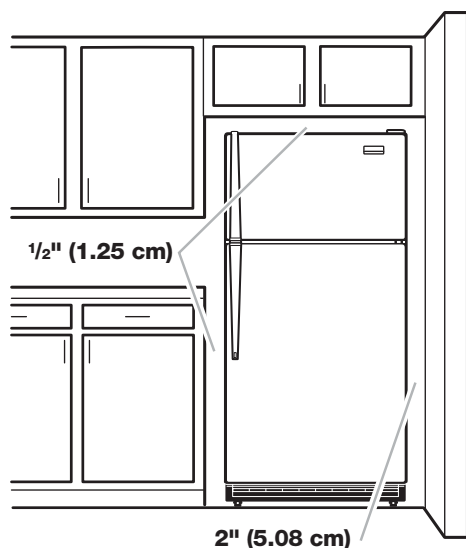
**Reverse Osmosis Water Supply:** If a reverse osmosis water filtration system is connected to your cold water supply, the water pressure to the reverse osmosis system needs to be a minimum of 40 to 60 psi (276 to 414 kPa).

### PRODUCT DIMENSIONS



Model Number	Model Size	Reversible Door	Height - Overall "A"	Height - Top of Cabinet "B"	Depth - Door Open 90° "C"	Depth - With Handles "D"	Depth - Without Handles "E"	Depth - Cabinet Only "F"	Width - Cabinet "G"
WRT311FZD	20.5 cu. ft.	Yes	66¼" (168.3 cm)	65½" (166.4 cm)	62¼" (158.1 cm)	32⅞" (83.5 cm)	30⅝" (77.8 cm)	28½" (72.4 cm)	32¾" (83.2 cm)
WRT511SZD WRT541SZD	21.3 cu. ft.	Yes	66¼" (168.3 cm)	65½" (166.4 cm)	62¼" (158.1 cm)	34" (86.4 cm)	32½" (82.3 cm)	28½" (72.4 cm)	32¾" (83.2 cm)

### LOCATION REQUIREMENTS



To ensure proper ventilation for your refrigerator, allow for a ½" (1.25 cm) space on each and between overhead cabinets and refrigerator top. Allow at least 1" (2.5 cm) between back of cabinet and the wall. If your refrigerator has an ice maker, make sure you leave some extra space at the back for the water line connections.

If you are installing your refrigerator next to a fixed wall, leave 2" (5 cm) minimum on the hinge side (depending on your model) to allow for the door to swing open.

**NOTE:** This refrigerator is intended for use in a location where the temperature ranges from a minimum of 55°F (13°C) to a maximum of 110°F (43°C). The preferred room temperature range for optimum performance, which reduces electricity usage and provides superior cooling, is between 60°F (15°C) and 90°F (32°C). It is recommended that you do not install the refrigerator near a heat source, such as an oven or radiator.






## 5.3 cu. ft. Whirlpool® electric range with Frozen Bake™ technology

YWFE515S0JS




This Whirlpool® electric range with a dual element stove top helps you get dinner to the table. Skip preheating for favorites like pizza with Frozen Bake™ technology. This self cleaning oven also prevents cooked food from getting cold with the Keep Warm setting. Closed door broiling helps keep the kitchen comfortable.



### Available Finishes/Colours

-  YWFE515S0JB  
Black
-  YWFE515S0JS  
Stainless Steel
-  YWFE515S0JW  
White

### Manuals & Literature:

-  [Installation Instructions](#)
-  [Use and Care](#)
-  [Warranty](#)

### Top Features

#### FlexHeat™ Dual Radiant Element

Get two elements in one with a 6" inner ring that's great for smaller pots and pans and a 9" expandable outer ring that makes room for larger cookware.

#### Frozen Bake™ technology

Skip preheating and cook frozen favorites like pizza in fewer steps with preprogrammed settings that automatically adjust cooking times for you.

#### Keep Warm setting

Keep dishes from getting cold with this setting that delivers low heat to the oven.

#### Closed Door Broiling

Maintain the optimal cooking temperature for food while still keeping the kitchen comfortable and cool using this broiling temperature management system that helps prevent overheating.

### Dimensions

Depth	27 3/4
Height	36
Width	29 7/8

### Configuration and Overview

Range Type	Freestanding
Fuel Type	Electric
Size (IN,inches)	30

### Exterior

Door Removable	Yes
Drawer Type	Storage Drawer
Oven Door	Glass Window
Oven Window Size	Extra Large
Handle Color	Stainless Steel
Handle Material	Metal

### Exterior

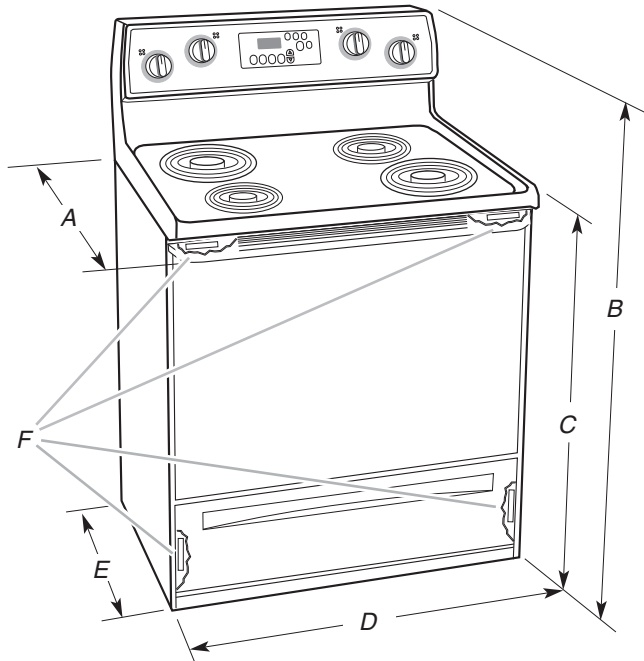
Handle Type	Reach-Through Handle
-------------	----------------------

### Features

Hot Surface Indicator Light	Yes
Heating Element On Indicator Light	Yes
Power On Indicator Light	No
Griddle	NA
Automatic Convection Conversion Temperature Adjust	No
Power Outage Compatible	No

## WHIRLPOOL 30" (76.0 CM) FREESTANDING ELECTRIC RANGES Model YWFE515S0JS

### Product Dimensions



- A. 27<sup>3</sup>/<sub>4</sub>" (70.5 cm) max. depth with handle
- B. 46<sup>7</sup>/<sub>8</sub>" (119.1 cm) overall height (max.) with leveling legs screwed all the way in\*
- C. 36" (91.4 cm) cooktop height (max.) with leveling legs screwed all the way in\*
- D. 29<sup>7</sup>/<sub>8</sub>" (75.9 cm) width
- E. 25<sup>5</sup>/<sub>16</sub>" (64.3 cm) depth - back of range to front of cooktop\*\*
- F. Model/serial/rating plate (located on the frame behind a top corner of the door or either side of the drawer)

**IMPORTANT:** Range must be level after installation. Follow the instructions in the "Level Range" section. Using the cooktop as a reference for leveling the range is not recommended.

\*Range can be raised approximately 1" (2.5 cm) by adjusting the leveling legs.

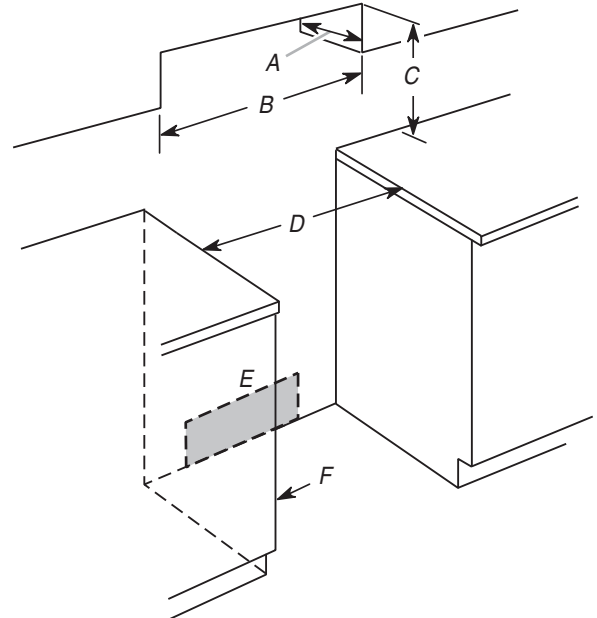
\*\*Front of door and drawer may extend further forward depending on styling.

### Cabinet Dimensions

Cabinet opening dimensions shown are for 25" (64.0 cm) countertop depth, 24" (61.0 cm) base cabinet depth and 36" (91.4 cm) countertop height.

**IMPORTANT:** If installing a range hood or microwave hood combination above the cooking surface, follow the range hood or microwave hood combination installation instructions for dimensional clearances above the cooktop surface.

A freestanding range may be installed next to combustible walls with zero clearance.



- A. 13" (33.0 cm) max. upper cabinet depth
- B. 30" (76.2 cm) min. opening width
- C. For minimum clearance to top of cooktop, see NOTE\*
- D. 30" (76.2 cm) min. opening width
- E. Outlet - 8" (20.3 cm) to 22" (55.9 cm) from either cabinet, 7" (17.8 cm) max. from floor.
- F. Cabinet door or hinges should not extend into the cutout.

**\*NOTE:** 24" (61.0 cm) minimum when bottom of wood or metal cabinet is covered by not less than 1/4" (6.4 mm) flame retardant millboard covered with not less than No. 28 MSG sheet steel, 0.015" (0.4 mm) stainless steel, 0.024" (0.6 mm) aluminum or 0.020" (0.5 mm) copper.

30" (76.2 cm) minimum clearance between the top of the cooking platform and the bottom of an uncovered wood or metal cabinet.

## WHIRLPOOL 30" (76.0 CM) FREESTANDING ELECTRIC RANGES Model YWFE515S0JS

### Electrical Requirements - Canada Only

#### ⚠ WARNING



#### Electrical Shock Hazard

Electrically ground range.

Failure to do so can result in death, fire, or electrical shock.

If codes permit and a separate ground wire is used, it is recommended that a qualified electrical installer determine that the ground path is adequate and wire gauge are in accordance with local codes.

Be sure that the electrical connection and wire size are adequate and in conformance with CSA Standard C22.1, Canadian Electrical Code, Part 1 - latest edition, and all local codes and ordinances.

A copy of the above code standards can be obtained from:

Canadian Standards Association  
 178 Rexdale Blvd.  
 Toronto, ON M9W 1R3 CANADA

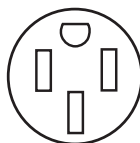
- Check with a qualified electrical installer if you are not sure the range is properly grounded.

Range Rating*		Specified Rating of Power Supply Cord Kit and Circuit Protection
120/240 V	120/208 V	Amps
8.8 - 16.5 KW	7.8 - 12.5 KW	40 or 50**
16.6 - 22.5 KW	12.6 - 18.5 KW	50

\*The NEC calculated load is less than the total connected load listed on the model/serial/rating plate.

\*\*If connecting to a 50 A circuit, use a 50 A rated cord with kit. For 50 A rated cord kits, use kits that specify use with a nominal 1<sup>3</sup>/<sub>8</sub>" (3.5 cm) diameter connection opening.

- A time-delay fuse or circuit breaker is recommended.
- This range is equipped with a CSA International Certified Power Cord intended to be plugged into a standard 14-50R wall receptacle. Be sure the wall receptacle is within reach of range's final location.



- Do not use an extension cord.

## INSTALLATION INSTRUCTIONS

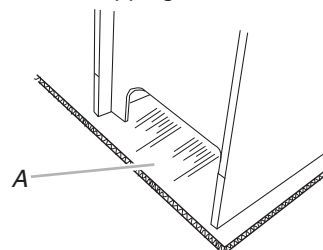
### Unpack Range

#### ⚠ WARNING

#### Excessive Weight Hazard

Use two or more people to move and install range.  
 Failure to do so can result in back or other injury.

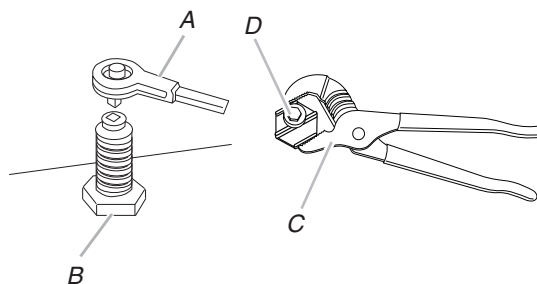
- Remove shipping materials, tape and film from range.
- Remove oven racks and parts package from inside oven.
- Do not remove the shipping base at this time.



A. Shipping base

#### 4. On Ranges Equipped with a Storage Drawer:

Remove the storage drawer. See the "Storage Drawer" section. Use a 1/4" (6.4 mm) drive ratchet to lower the rear leveling legs one-half turn. Use a wrench or pliers to lower front leveling legs one-half turn.

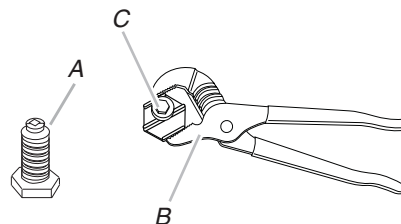


A. 1/4" (6.4 mm) drive ratchet  
 B. Rear leveling leg

C. Wrench or pliers  
 D. Front leveling leg

#### On Ranges Equipped with a Warming Drawer or Premium Storage Drawer:

On ranges equipped with a warming drawer or premium storage drawer, the rear legs cannot be accessed by removing the warming drawer or premium storage drawer. It will be necessary to adjust the rear legs from outside the range. Use wrench or pliers to lower the front and rear leveling legs one half turn.



A. Rear leveling leg  
 B. Wrench or pliers  
 C. Front leveling leg

## WHIRLPOOL 30" (76.0 CM) FREESTANDING ELECTRIC RANGES Model YWFE515S0JS

### Install Anti-Tip Bracket

#### **⚠ WARNING**



#### Tip Over Hazard

**A child or adult can tip the range and be killed.**

**Install anti-tip bracket to floor or wall per installation instructions.**

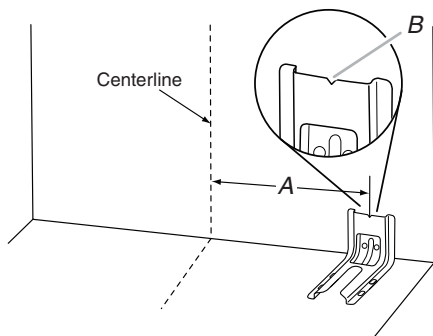
**Slide range back so rear range foot is engaged in the slot of the anti-tip bracket.**

**Re-engage anti-tip bracket if range is moved.**

**Do not operate range without anti-tip bracket installed and engaged.**

**Failure to follow these instructions can result in death or serious burns to children and adults.**

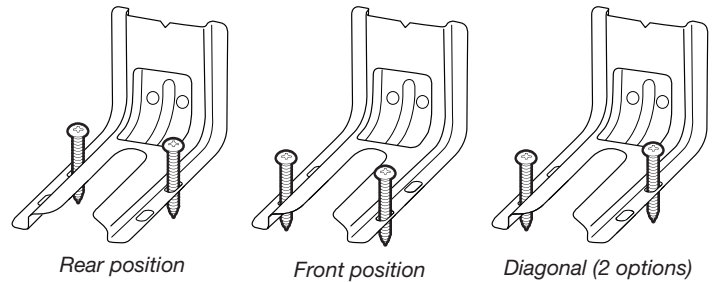
1. Remove the anti-tip bracket from where it is taped inside the storage drawer or warming drawer.
2. Determine which mounting method to use: floor or wall.  
 If you have a stone or masonry floor, you can use the wall mounting method. If you are installing the range in a mobile home, you must secure the range to the floor.
3. Determine and mark centerline of the cutout space. The mounting can be installed on either the left-side or right-side of the cutout. Position mounting bracket against the wall in the cutout so that the V-notch of the bracket is  $12^{9/16}$ " (31.9 cm) from centerline as shown.



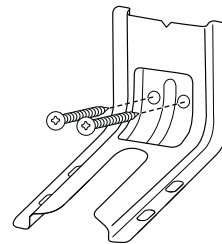
A.  $12^{9/16}$ " (31.9 cm)  
 B. Bracket V-notch

4. Drill two  $1/8$ " (3 mm) holes that correspond to the bracket holes of the determined mounting method. See the following illustrations.

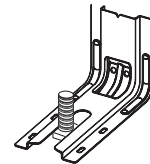
#### Floor Mounting



#### Wall Mounting



5. Using the Phillips screwdriver, mount anti-tip bracket to the wall or floor with the two #12 x  $1^{5/8}$ " (4.1 cm) screws provided.
6. Move range close enough to opening to allow for final electrical connections. Remove shipping base, cardboard or hardboard from under range.
7. Move range into its final location, making sure rear leveling leg slides into anti-tip bracket.



8. Move range forward onto shipping base, cardboard or hardboard to continue installing the range using the following installation instructions.





## 55 dBA\* Front Control Dishwasher

WDF330PAH



Stainless Steel  
WDF330PAHS

### Also available in:

- White **WDF330PAHW**
- Black **WDF330PAHB**

### Capacity

Total Place Settings 13

### General Features & Properties

Heavy Cycle

High Temperature Wash Option

Heated Dry Option

ENERGY STAR® Certified

Industry's Best Selling Dishwasher Brand†

Designed, Engineered and Assembled in the U.S.A. with American Pride

### Electrical Details

Amps 10

Volts 120

Hz 60

### Certifications

ENERGY STAR® Certified Yes

### Technical Details

Dishwasher Type Built-in

Control Location Front

Control Type Push Button

Number of Wash Cycles 3

Number of Options 4

dBA\* 55

Number of Racks 2

Tub Material Plastic

Wash System Filter

Wash System Type Removable Filter

Number of Wash Arms 2

### Dimensions

Product Dimensions (H x W x D) 34-1/2" x 23-7/8" x 24-1/2"

Depth with Door Open 90° 49-1/2"

### Reference Material

[Dimension Guide](#)

[Install Guide](#)

[Use & Care Guide](#)

[Energy Guide](#)

[Warranty](#)

### Key Features & Benefits

#### 1-Hour Wash Cycle

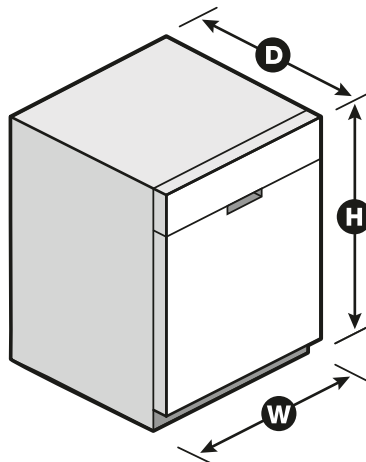
Clean dishes in half the time so your plates, pans and glasses are thoroughly cleaned up and taken care of in just an hour.\*\*

#### Soil Sensor

Determines how dirty dishes are and adjusts the Normal cycle as needed to make sure dishes come out clean.

#### Normal Cycle

Use for normal amounts of food soil to clean up leftover messes from your day-to-day meals.



\*Per IEC standards. \*\*Compared to Normal cycle with lightly soiled loads. †Based on 12-month average of sales. TraQline 2018. NOTE: Dimensions are for planning purposes only. For complete details, see Installation Instructions packed with product. Specifications subject to change without notice. ©/™ © 2020. All rights reserved. Printed in the U.S.A. D200052XXA. WDF330PAHSPECSHEETV01.



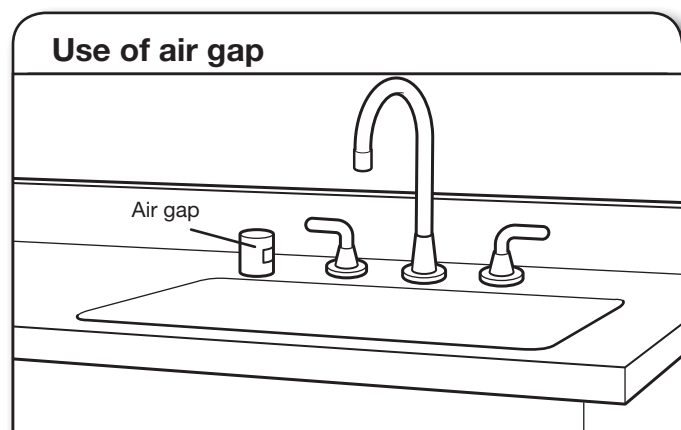
## Undercounter Dishwasher

### PRODUCT MODEL NUMBERS

- |           |           |           |
|-----------|-----------|-----------|
| WDF110PAB | WDF320PAD | WDT710PAH |
| WDF111PAB | WDF330PAH | WDT720PAD |
| WDF120PAF | WDF331PAH | WDT730PAH |
| WDF121PAF | WDF520PAD | WDT735PAG |
| WDF130PAH | WDF540PAD | WDT735PAH |
| WDF131PAH | WDF545PAF |           |

### DRAIN REQUIREMENTS

- A new drain hose is supplied with your dishwasher. If drain hose is not long enough, use a new drain hose with a maximum length of 12 ft (3.7 m) that meets all current AHAM/IAPMO test standards, is resistant to heat and detergent, and fits the 1" (25 mm) drain connector of the dishwasher. See the "Tools and Parts" section at the front of the guide for part details and orders.
- Make sure to connect drain hose to waste tee or disposer inlet above drain trap in house plumbing and 20" (508 mm) minimum above the floor. It is recommended that the drain hose either be looped up and securely fastened to the underside of the counter or be connected to an air gap.
- Make sure to use an air gap if the drain hose is connected to house plumbing lower than 20" (508 mm) above subfloor or floor.



- If required, the air gap should be installed in accordance with the air gap installation instructions. When you are connecting the air gap, a rubber hose (not provided) will be needed to connect to the waste tee or disposer inlet.
- Use 1/2" minimum I.D. drain line fittings.

### WATER SUPPLY REQUIREMENTS

- This dishwasher has a water heating feature and also requires a connection to a hot water supply line.
  - A hot water line with 20 to 120 psi (138 to 862 kPa) water pressure can be verified by a licensed plumber.
  - 120°F (49°C) water at dishwasher
  - 3/8" O.D. copper tubing with compression fitting or flexible braided water supply line. See the "Tools and Parts" section at the front of the guide for part details and orders.
- NOTE:** 1/2" minimum plastic tubing is not recommended.
- A 90° elbow with 3/4" hose connection with rubber washer. See the "Tools and Parts" section at the front of the guide for part details and orders.
  - Do not solder within 6" (152 mm) of the water inlet valve.
  - If installed in new construction, make sure the house water supply lines have been flushed prior to connecting the dishwasher to remove any debris that may exist in the supply line.

**NOTE:** If replacing an existing dishwasher, it is recommended to install a new water line (see the "Tools and Parts" section at the front of the guide for part details) and drain hose (supplied) with the new dishwasher.

### ELECTRICAL REQUIREMENTS

#### You Must Have:

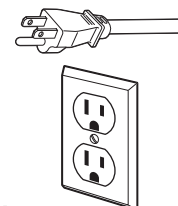
- 120-volt, 60 Hz, AC-only, 15- or 20-amp, fused electrical supply
- Copper wire only
- A maximum of 2 field wiring supply conductors (12 AWG largest size) plus 1 grounding conductor are permitted in the terminal box.

#### We Recommend:

- A time-delay fuse or circuit breaker
- A separate circuit

#### If Connecting Dishwasher with a Power Cord:

- Use a UL Listed power cord kit marked for use with dishwasher. See the "Tools and Parts" section at the front of the guide for part details and orders.
- Plug into a grounded 3 prong outlet. Outlet must meet all local codes and ordinances.

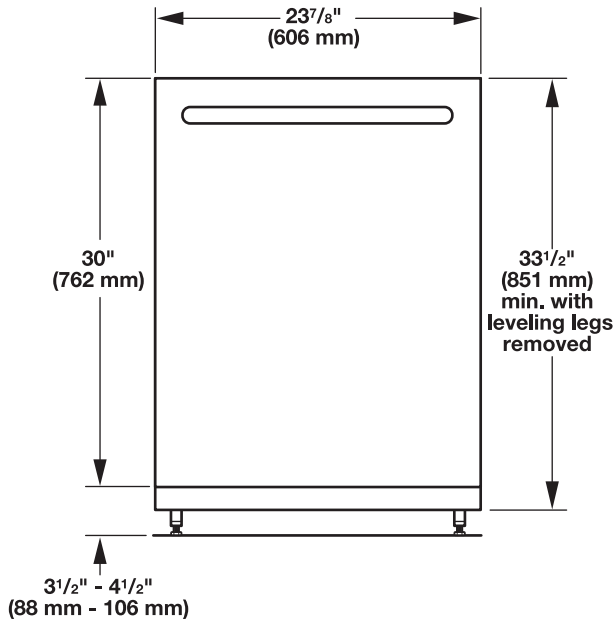


#### If Connecting Dishwasher with Direct Wiring:

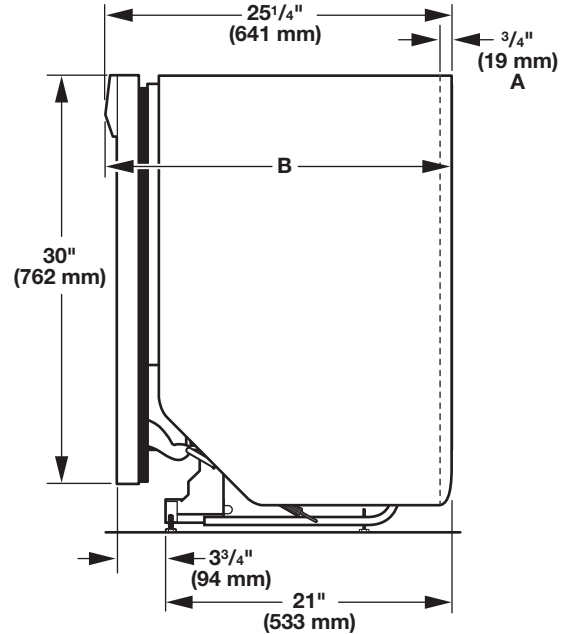
- Use flexible, armored, or nonmetallic sheathed copper wire with grounding wire that meets the wiring requirements for your home and local codes and ordinances.
- Use a UL Listed/CSA Approved metallic strain relief.



## PRODUCT AND CABINET OPENING DIMENSIONS

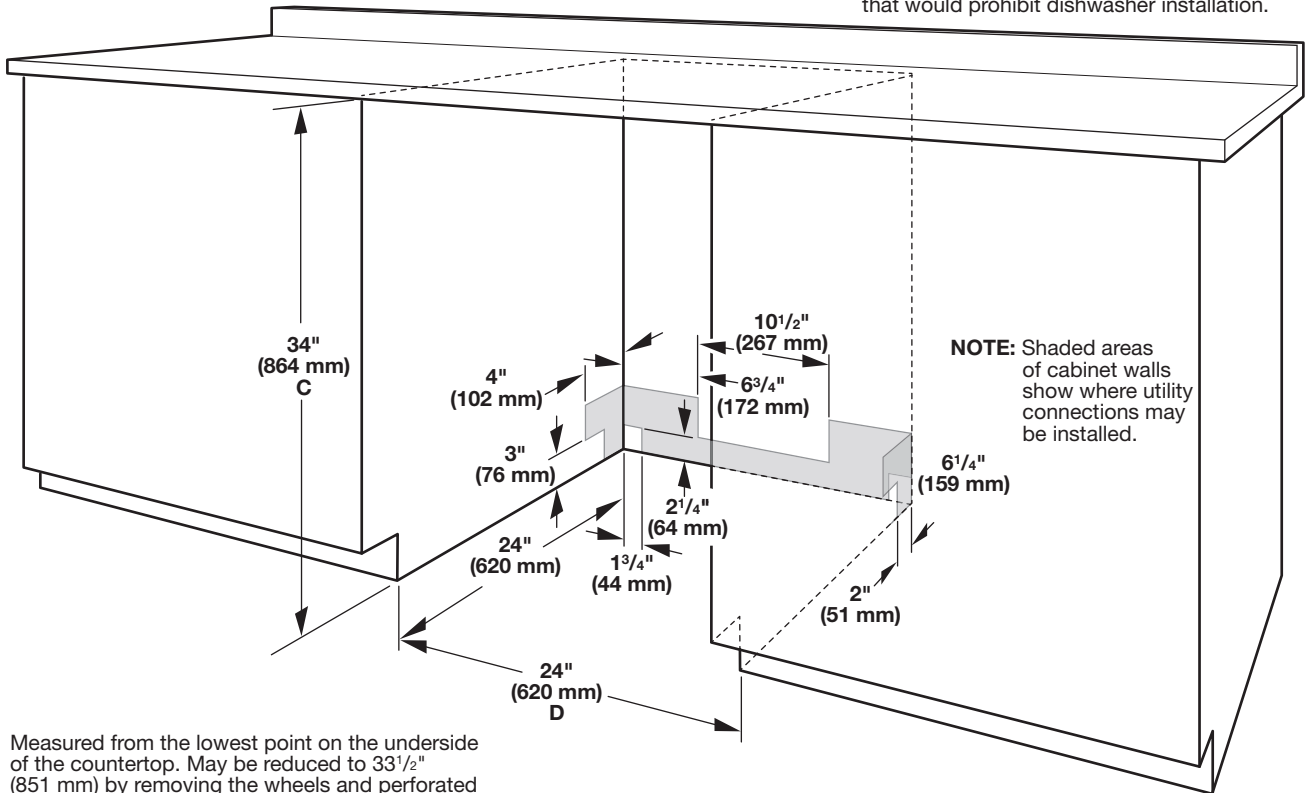


For 4" (100 mm) toe kick, height of cabinet opening is 34<sup>1</sup>/<sub>2</sub>" (863 mm).



- A. Insulation may be compressed (not used on all models).
- B. Door handles may protrude forward of the face of the dishwasher, (varies by model).

Check that all surfaces have no protrusions that would prohibit dishwasher installation.



**NOTE:** Shaded areas of cabinet walls show where utility connections may be installed.

- C. Measured from the lowest point on the underside of the countertop. May be reduced to 33<sup>1</sup>/<sub>2</sub>" (851 mm) by removing the wheels and perforated area of insulation (blanket) on dishwasher.
- D. Minimum, measured from narrowest point of opening.

## 5.0 cu.ft I.E.C. Closet-Depth Front Load Washer with Intuitive Controls

Model: WFW560CHW

- Overview
- Specifications
- Reviews
- You May Also Like
- Help And Resources
- Find In Store



### Key Features

- #1 in Customer Satisfaction in the J.D. Power 2020 Laundry Appliances Satisfaction Study
- 5.0 cu. ft. I.E.C. Capacity
- ENERGY STAR® Certified
- Intuitive Controls
- Sanitize Cycle with Oxi

### Color

White



## Specifications

**Width:**  
 6858.00, 27.0”  
 Centimeters, Inches

**Depth:**  
 8016.88, 31-9/16”  
 Centimeters, Inches

### Dimensions

Capacity	4-3/10
Depth	8016.88 cm, 31-9/16 in
Gross Weight	97068688.00 kg, 214 lbs
Net Weight	92532768.00 kg, 204 lbs
Width	6858.00 cm, 27.0 in

### Appearance

LCD Touch Screen	No
Window	Yes

### Details

Advanced Vibration Control™	No
Dispense System	Detergent, Fabric Softener & Bleach
Eco Monitor/Efficiency Monitor	No
Hoses Included	4ft 4in Drain Hose Included
Internal Heater	No
Maximum Spin Speed	1160
Out Of Balance Sensing	Yes
Water Factor	3-1/5

### Cycles and Options

Number Of Wash Cycles	35
-----------------------	----

### Electrical

Power Cord Included	Yes
---------------------	-----

### Controls

Automatic Temperature Controls	Yes
Control Location	Front
LCD Touch Screen	No

### Compatibility

Works With	No
------------	----

### Options

Number Of Washer Options	7
--------------------------	---

### Features

Stackable	Yes
Water Faucet	No

### Cycles

Number Of Wash Cycles	35
-----------------------	----

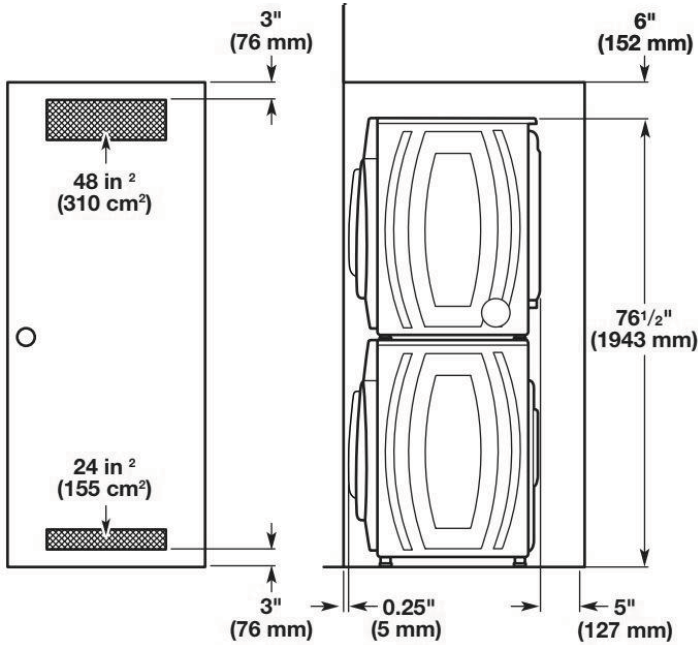
### Exterior

Lid/Door Lock	Yes
Lid/Door Swing	Left

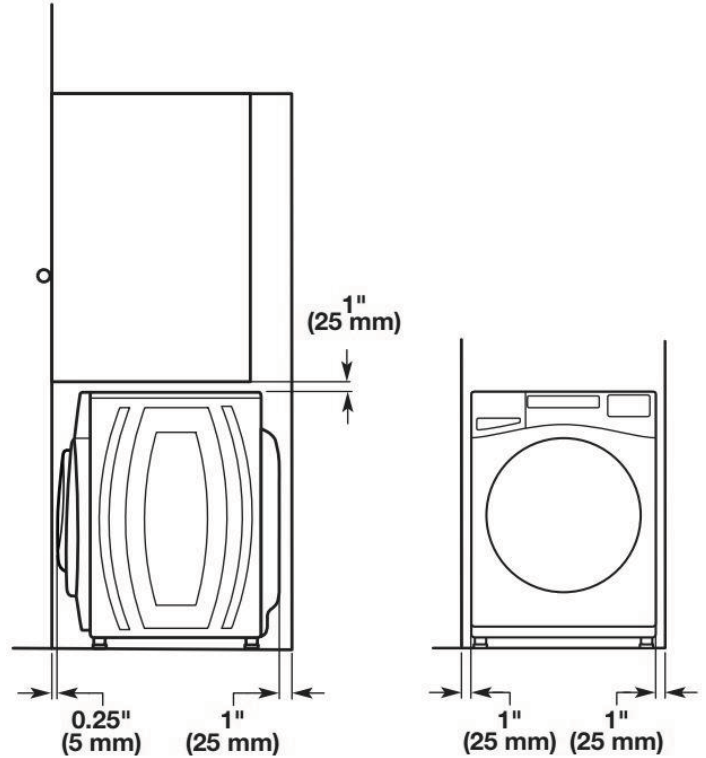
### Modifiers

Delay Start	No
Number Of Rinse Options	2
Number Of Soil Levels	3
Number Of Spin Speeds	4
Number Of Wash/Rinse Temperatures	4
Pre Soak	Yes
Temperature Selections	Hot, Cold, Cool, Warm

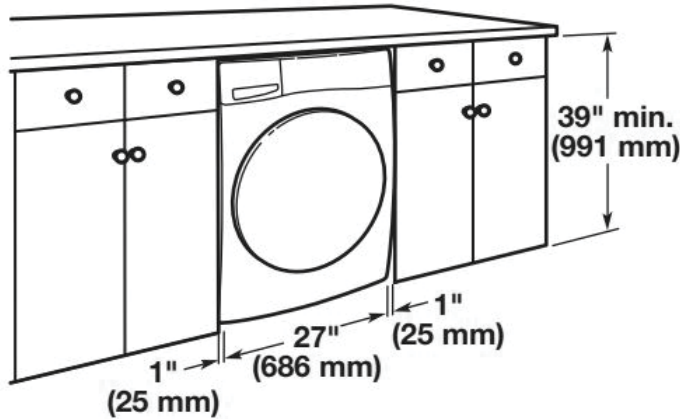
### Recessed area or closet installation (stacked washer and dryer)



### Custom cabinet installation



### Custom under counter installation



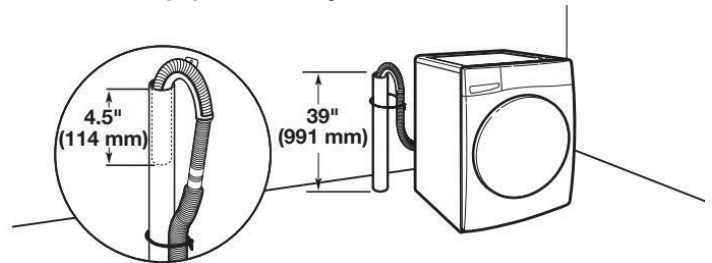
### Drain System

It is the responsibility of the installer to install and secure the drain hose in to the provided plumbing/drain in a manner that will avoid the drain hose coming out of or leaking from the plumbing/drain.

Drain system can be installed using a floor drain, wall standpipe, floor standpipe, or laundry tub. Select the method you need.

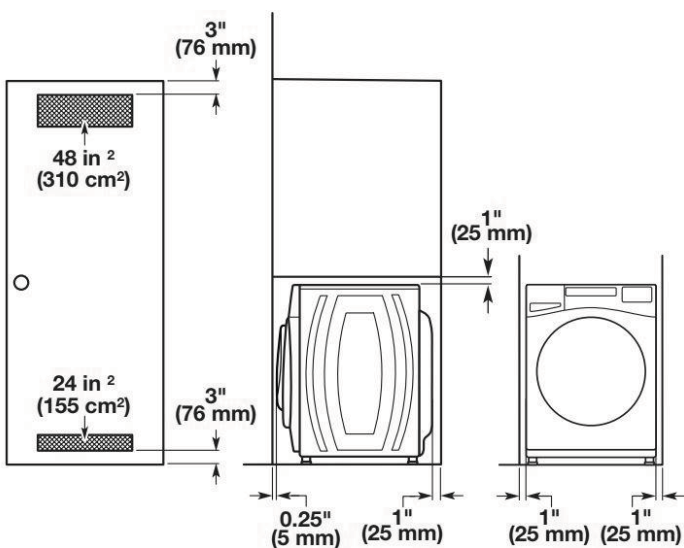
**IMPORTANT:** To avoid siphoning, only 4.5" (114 mm) of drain hose should be inside standpipe. Always secure drain hose with cable tie.

### Floor standpipe drain system

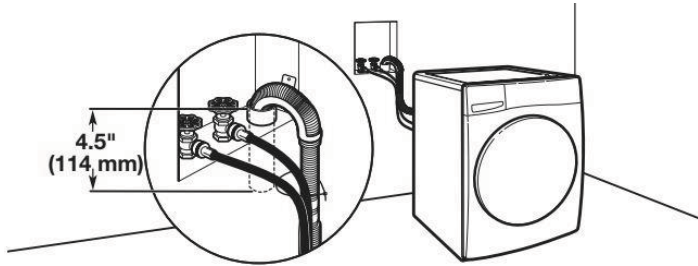


Minimum diameter for a standpipe drain: 2" (51 mm). Minimum carry-away capacity: 17 gallons (64 L) per minute. A 1/4" (6 mm) diameter to 1" (25 mm) diameter Standpipe Adapter Kit is available; refer to the Quick Start Guide for online ordering information. Top of standpipe must be at least 39" (762 mm) high; install no higher than 96" (2.4 m) from bottom of washer. If you have an overhead sewer and need to pump higher than 96" (2.4 m), a sump pump and associated hardware are needed. See "Alternate Parts."

### Recessed area or closet installation (washer only)

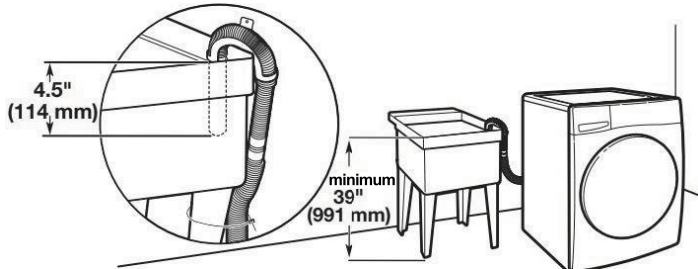


## Wall standpipe drain system

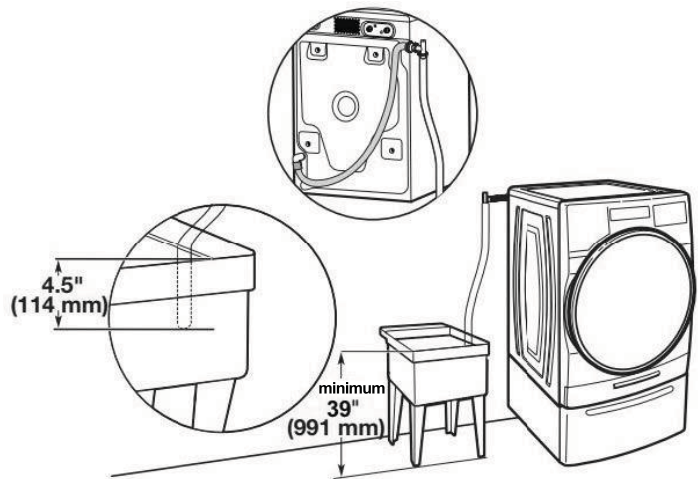


See requirements in "Floor standpipe drain system."

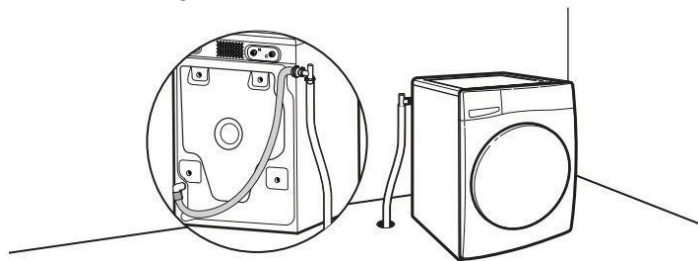
## Laundry tub drain system



Minimum capacity: 20 gallons (76 L). Top of laundry tub must be at least 39" (991 mm) from the floor; install no higher than 96" (2.4 m) from bottom of washer.



## Floor drain system



Floor drain system requires a Siphon Break Kit, 2 Connector Kits, and an Extension Drain Hose that may be purchased separately; refer to the Quick Start Guide for online ordering information. Minimum siphon break height: 28" (710 mm) from bottom of washer. (Additional hoses may be needed.)

## Electrical Requirements

### ⚠ WARNING



#### Electrical Shock Hazard

**Plug into a grounded 3 prong outlet.**

**Do not remove ground prong.**

**Do not use an adapter.**

**Do not use an extension cord.**

**Failure to follow these instructions can result in death, fire, or electrical shock.**

- A 120 V, 60 Hz, AC only, 15 or 20 A, fused electrical supply is required. A time-delay fuse or circuit breaker is recommended. It is recommended that a separate circuit breaker serving only this appliance be provided.
- This washer is equipped with a power supply cord having a 3-prong grounding plug.
- To minimize possible shock hazard, the cord must be plugged into a mating, 3-prong, grounding-type outlet, grounded in accordance with local codes and ordinances. If a mating outlet is not available, it is the personal responsibility and obligation of the customer to have the properly grounded outlet installed by a qualified electrician.
- If codes permit and a separate ground wire is used, it is recommended that a qualified electrician determine that the ground path is adequate.
- Do not ground to a gas pipe.
- Check with a qualified electrician if you are not sure the washer is properly grounded.
- Do not have a fuse in the neutral or ground circuit.

### GROUNDING INSTRUCTIONS

#### For a grounded, cord-connected appliance:

This appliance must be grounded. In the event of a malfunction or breakdown, grounding will reduce the risk of electric shock by providing a path of least resistance for electric current. This appliance is equipped with a cord having an equipment-grounding conductor and a grounding plug. The plug must be plugged into an appropriate outlet that is properly installed and grounded in accordance with all local codes and ordinances.

**WARNING:** Improper connection of the equipment-grounding conductor can result in a risk of electric shock. Check with a qualified electrician or serviceman if you are in doubt as to whether the appliance is properly grounded. Do not modify the plug provided with the appliance: If it will not fit the outlet, have a proper outlet installed by a qualified electrician.

#### For a permanently connected appliance:

This appliance must be connected to a grounded metal, permanent wiring system, or an equipment-grounding conductor must be run with the circuit conductors and connected to the equipment-grounding terminal or lead on the appliance.

### SAVE THESE INSTRUCTIONS

## WHIRLPOOL DRYER Model #: YWED5620HW

Whirlpool Brand Canada English | Washer and Dryers | Dryers | Electric Dryers | YWED5620HW



**7.4 cu. ft. Front Load Electric Dryer with Intuitive Touch Controls**

### Whirlpool 7.4 cu. ft. Front Load Electric Dryer with Intuitive Touch Controls

Model #: YWED5620HW

#### Dimensions

Depth	78.74 cm, 31.0 in
Depth With Door Open 90 Degree	138.43 cm, 54-1/2 in
Height	98.42 cm, 38-3/4 in
Width	68.58 cm, 27.0 in

#### Configuration and Overview

Fuel Type	Electric
-----------	----------

#### Cycles and Options

Cycle Time Remaining	Yes
Lint Filter Indicator	No
Number of Dryer Cycles	36
Number of Dryness Levels	3

#### Ventilation System

Long Vent	No
Maximum Vent Length	64
Venting Direction	Left, Right, Bottom, Rear

#### Electrical

Hz	60
Power Cord Included	Yes