

Sales Selection Sheet
Checklist

1 of 33

LOT 3141 Model: 28-2897 C THE KINGSMERE

PURCHASERS: NAJEEBA QADAMI/JAWED, AHMED QADAMI

VENDOR: Heathwood Homes (Huron) Limited

- WOB
- DECK
- FINISHED BASEMENT
- COLD CELLAR

UPGRADED / MODIFIED ELEVATION

- CORNER UPGRADE
- REAR UPGRADE
- SIDE UPGRADE

CEILING UPGRADE - SMOOTH

- MAIN FLOOR
- SECOND FLOOR
- BASEMENT

ADDITIONAL ROUGH-INS

- 200 AMP SERVICE (STD IN SINGLES)
- WET BAR ROUGH-IN
- HUMIDIFIER
- AIR CONDITIONING (SITE STD)

GAS ROUGH-IN

- STOVE
- DRYER
- BBQ
- ADDITIONAL FIREPLACE

KITCHEN: HOODFAN VENTING SIZE

- 6 IN ROUND DUCT
- 7 IN ROUND DUCT

FULL BASEMENT STAIRS:	Paint Grade
UPPER BASEMENT STAIRS:	N/A
LOWER LEVEL STAIRS:	N/A
MAIN STAIRS:	All Oak
MEDIA STAIRS (if applicable):	N/A
LOFT STAIRS (if applicable):	N/A

JAN 3/23 _____
Date Purchaser: *on file*

JAN 3/23 _____
Date Decor Consultant: *BRENDA LUKE*

JAN 3/23 _____
Date Purchaser:

~~HEATHWOOD~~
-01- 03 2023 _____
Date Heathwood Homes (Huron) Limited

Locked Date:

~~Approved~~

NAJEEBA QADAMI/JAWED, AHMED QADAMI
 Project: Wallaceton
 Unit: 3141, Phase: 3
 Model: 28-2897 C THE KINGSMERE

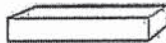
Created: 11/9/2022 13:43:25

Locked:

Closed:

Kitchen

Cabinet Colour/Style	9111	Viking III-SIMCOE ORCHID 3DL ***STD***
Island Cabinet Colour/Style	9111	Viking III-SIMCOE ORCHID 3DL ***STD***
Cabinet Hardware	9111	12881-HARDWARE ***STD***
Countertop	9069	MSI Quartz GROUP 1 ICED WHITE ***STD***
Island Countertop	9069	MSI Quartz GROUP 1 ICED WHITE ***STD***
Countertop Edge	4010	SINGLE POLISHED STRAIGHT EDGE 3/4 INCH ***STD***



- Please note some islands may require a seam as per manufacturer and fabricator discretions.

Sink	9487	Plumbing-KINDRED Kitchen Sink Collection - Reginox ND1831 U/9-Double (equal size) Bowl Undermount Sink (or equivalent)-Stainless Steel	PG 20
HoodFan	9393	SCB51930-CYCLONE 30 inch CANOPY CHIMNEY HOODFAN-SS	PG 32-33
Backsplash	1111	N/A *****	
Backsplash Grout	1111	N/A *****	
Backsplash Tile Pattern	1111	N/A *****	

Flooring	9255	TR.SP.WHITE.1313 SEMPRE White Matte 13 x 13 ***STD***
Floor Tile Grout	9255	Grout-(27) Silver ***STD***
Floor Tile Pattern	9255	STANDARD SQUARE ***STD***

- Purchasers have been advised: standard fridge opening is a minimum 37 3/8 x 73 3/8 inches. Ice Waterline Rough-In is included.

- Standard stove opening is 30 inches and standard dishwasher opening is 24 inches. Any gas stove will require backsplash or stainless steel backing to avoid fire hazards.

- Purchasers acknowledge: Heathwood Homes and its contractors will not be responsible for any kitchen cabinet changes due to appliances dimension changes after sign-off.

Comment

Landing and Broom Closet

Flooring	9255	TR.SP.WHITE.1313 SEMPRE White Matte 13 x 13 ***STD***
Floor Tile Grout	9255	Grout-(27) Silver ***STD***
Floor Tile Pattern	9255	STANDARD SQUARE ***STD***

N.Q

NAJEEBA QADAMI/JAWED, AHMED QADAMI
Project: Wallaceton
Unit: 3141, Phase: 3
Model: 28-2897 C THE KINGSMERE

Created: 11/9/2022 13:43:25

Locked:

Closed:

Comment

Foyer

Flooring	9255	TR.SP.WHITE.1313 SEMPRE White Matte 13 x 13 ***STD***
Floor Tile Grout	9255	Grout-(27) Silver ***STD***
Floor Tile Pattern	9255	STANDARD SQUARE ***STD***

Comment

Powder Room

Flooring	9255	TR.SP.WHITE.1313 SEMPRE White Matte 13 x 13 ***STD***
Floor Tile Grout	9255	Grout-(27) Silver ***STD***
Floor Tile Pattern	9255	STANDARD SQUARE ***STD***

Plumbing Fixture (Colour)	9255	Plumbing Fixtures-WHITE ***STD***
Comment	<div style="border: 1px solid black; height: 39px;"></div>	

Dining Room

Flooring	9255	Red Oak Pearl-Vintage Engineered-GRYPHON/IRONGATE-3/4 inch x 3 1/4 inch
Comment	<div style="border: 1px solid black; height: 39px;"></div>	

Main Hall

Flooring	9255	Red Oak Pearl-Vintage Engineered-GRYPHON/IRONGATE-3/4 inch x 3 1/4 inch
Comment	<div style="border: 1px solid black; height: 39px;"></div>	

Great/Breakfast

Flooring	9255	Red Oak Pearl-Vintage Engineered-GRYPHON/IRONGATE-3/4 inch x 3 1/4 inch
----------	------	--

N.Q

NAJEEBA QADAMI/JAWED, AHMED QADAMI
Project: Wallaceton
Unit: 3141, Phase: 3
Model: 28-2897 C THE KINGSMERE

Created: 11/9/2022 13:43:25
Locked:
Closed:

Comment

Great Room Fireplace

Type	9255	Majestic MERC32 ***STD***
Mantle	9114	NF 15-Paint Grade Mantle- Cabinet (Per Plan)-WHITE ***STD***
Surround (Opt.)	1111	N/A *****

PG 19

- Purchasers have been advised: heat from the FP can damage TV above a FP and items placed on mantle.
- Heathwood and its contractors will not be liable for any damage on items placed/@installed above a FP after closing.

Comment

Mud Room / Laundry

Flooring	9255	TR.SP.WHITE.1313 SEMPRE White Matte 13 x 13 ***STD***
Floor Tile Grout	9255	Grout-(27) Silver ***STD***
Floor Tile Pattern	9255	STANDARD SQUARE ***STD***

Opt. Cabinet Colour/Style - Uppers	1111	N/A *****
Opt. Cabinet Hardware - Uppers	1111	N/A *****
Opt. Cabinet Colour/Style - Base	1111	N/A *****
Opt. Cabinet Hardware - Base	1111	N/A *****
Opt. Countertop	1111	N/A *****
Opt. Countertop Edge	1111	N/A *****

Comment

Upper Hall

Flooring	1111	Red Oak Pearl-Vintage Engineered-GRYPHON/IRONGATE-3/4 inch x 3 1/4 inch
----------	------	---

Comment

Master Bedroom

Flooring	9511	16787-MINOTAUR-MYSTIC BEIGE-40 oz Poly ***STD***
----------	------	--

Comment

N.Q

Customer Colours

NAJEEBA QADAMI/JAWED, AHMED QADAMI
 Project: Wallaceton
 Unit: 3141, Phase: 3
 Model: 28-2897 C THE KINGSMERE

Created: 11/9/2022 13:43:05
 Locked:
 Closed:



Bedroom 2

Flooring 9511 16787-MINOTAUR-MYSTIC BEIGE-40 oz Poly ***STD***

Comment

Bedroom 3

Flooring 9511 16787-MINOTAUR-MYSTIC BEIGE-40 oz Poly ***STD***

Comment

Bedroom 4 (Reg. Second Floor)

Flooring 9511 16787-MINOTAUR-MYSTIC BEIGE-40 oz Poly ***STD***

Comment

Family Room (Opt. Second Floor)

Flooring 1111 N/A *****

Comment

Bedroom 5

Flooring 9511 16787-MINOTAUR-MYSTIC BEIGE-40 oz Poly ***STD***

Comment

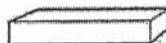
Master Ensuite

Cabinet Colour/Style 9111 Viking III-SIMCOE ORCHID 3DL ***STD***

Cabinet Hardware 9111 12881-HARDWARE ***STD***

Countertop 9069 MSI Quartz GROUP 1 ICED WHITE ***STD***

Countertop Edge 4010 SINGLE POLISHED STRAIGHT EDGE 3/4 INCH ***STD***



Floor Tile 9255 TR.SP.WHITE.1313 SEMPRE White Matte 13 x 13 ***STD***

Floor Tile Grout 9255 Grout-(27) Silver ***STD***

Floor Tile Pattern 9255 STANDARD SQUARE ***STD***

N.Q

Customer Colours

NAJEEBA QADAMI/JAWED, AHMED QADAMI
 Project: Wallaceton
 Unit: 3141, Phase: 3
 Model: 28-2897 C THE KINGSMERE

Created: 11/9/2022 13:43:25
 Locked:
 Closed:



Shower Wall Tile	9255	QT.SP.WHT.0810-Splendour-White-8 inch x 10 inch ***STD***
Shower Wall Tile Grout	9255	Grout-(00) White ***STD***
Shower Wall Tile Pattern	9255	HORIZONTAL STACKED ***STD***

Shower Floor Tile	8661	OD.ON.SWT.0202.MT.N-Ontario Series Mosaic-Snow White Matte-2 x 2 ***STD***
Shower Floor Tile Grout	8661	Grout-(00) White ***STD***
Shower Floor Tile Pattern	8661	STANDARD SQUARE ***STD***

Shower Jamb(s) and Sill(s)	8661	Shower Jamb / Sill-Thassos White ***STD***
Plumbing Fixture (colour)	8661	Plumbing Fixtures-WHITE ***STD***
Comment		

Shared Ensuite

Cabinet Colour/Style	9111	Viking III-SIMCOE ORCHID 3DL ***STD***
Cabinet Hardware	9111	12881-HARDWARE ***STD***
Countertop	8827	4925K-07-Countertop-CALCUTTA MARBLE-Wilsonart ***STD***
Countertop Edge	1111	N/A *****

Floor Tile	9255	TR.SP.WHITE.1313 SEMPRE White Matte 13 x 13 ***STD***
Floor Tile Grout	9255	Grout-(27) Silver ***STD***
Floor Tile Pattern	9255	STANDARD SQUARE ***STD***

Shower Wall Tile	9255	QT.SP.WHT.0810-Splendour-White-8 inch x 10 inch ***STD***
Shower Wall Tile Grout	9255	Grout-(00) White ***STD***
Shower Wall Tile Pattern	9255	HORIZONTAL STACKED ***STD***

N.Q

NAJEEBA QADAMI/JAWED, AHMED QADAMI
 Project: Wallaceton
 Unit: 3141, Phase: 3
 Model: 28-2897 C THE KINGSMERE

Created: 11/9/2022 13:43:25
 Locked:
 Closed:



Shower Floor Tile	8661	OD.ON.SWT.0202.MT.N-Ontario Series Mosaic-Snow White Matte-2 x 2 ***STD***
Shower Floor Tile Grout	8661	Grout-(00) White ***STD***
Shower Floor Tile Pattern	8661	STANDARD SQUARE ***STD***

Shower Jamb(s) and Sill(s)	8661	Shower Jamb / Sill-Thassos White ***STD***
Plumbing Fixture (colour)	8661	Plumbing Fixtures-WHITE ***STD***
Comment		

Ensuite 4 (Reg. Second Floor)

Cabinet Colour/Style	9111	Viking III-SIMCOE ORCHID 3DL ***STD***
Cabinet Hardware	9111	12881-HARDWARE ***STD***
Countertop	8827	4925K-07-Countertop-CALCUTTA MARBLE-Wilsonart ***STD***
Countertop Edge	1111	N/A *****

Floor Tile	9255	TR.SP.WHITE.1313 SEMPRE White Matte 13 x 13 ***STD***
Floor Tile Grout	9255	Grout-(27) Silver ***STD***
Floor Tile Pattern	9255	STANDARD SQUARE ***STD***

Wall Tile	9255	QT.SP.WHT.0810-Splendour-White-8 inch x 10 inch ***STD***
Wall Tile Grout	9255	Grout-(00) White ***STD***
Wall Tile Pattern	9255	HORIZONTAL STACKED ***STD***

Opt. Shower Floor Tile	1111	N/A *****
Opt. Shower Floor Tile Grout	1111	N/A *****
Opt. Shower Floor Tile Pattern	1111	N/A *****

Opt. Shower Jamb(s) and Sill(s)	1111	N/A *****
Plumbing Fixture (colour)	1111	Plumbing Fixtures-WHITE ***STD***
Comment		

N-Q

Customer Colours

8 of 33

NAJEEBA QADAMI/JAWED, AHMED QADAMI
 Project: Wallaceon
 Unit: 3141, Phase: 3
 Model: 28-2897 C THE KINGSMERE

Created: 11/9/2022 13:43:25
 Locked:
 Closed:



Ensuite 5

Cabinet Colour/Style	9111	Viking III-SIMCOE ORCHID 3DL ***STD***
Cabinet Hardware	9111	12881-HARDWARE ***STD***
Countertop	8827	4925K-07-Countertop-CALCUTTA MARBLE-Wilsonart ***STD***
Countertop Edge	1111	N/A *****

Floor Tile	9255	TR.SP.WHITE.1313 SEMPRE White Matte 13 x 13 ***STD***
Floor Tile Grout	9255	Grout-(27) Silver ***STD***
Floor Tile Pattern	9255	STANDARD SQUARE ***STD***

Wall Tile	9255	QT.SP.WHT.0810-Splendour-White-8 inch x 10 inch ***STD***
Wall Tile Grout	9255	Grout-(00) White ***STD***
Wall Tile Pattern	9255	HORIZONTAL STACKED ***STD***

Opt. Shower Floor Tile	1111	N/A *****
Opt. Shower Floor Tile Grout	1111	N/A *****
Opt. Shower Floor Tile Pattern	1111	N/A *****

Opt. Shower Jamb(s) and Sill(s)	1111	N/A *****
Plumbing Fixture (colour)	1111	Plumbing Fixtures-WHITE ***STD***
Comment		

Lower Level Recreation Room (Opt. Finis

Flooring	1111	N/A *****
Comment		

Lower Level Bathroom (Opt. Finished Bas

Cabinet Colour/Style	1111	N/A *****
----------------------	------	-----------

N.Q

Customer Colours

NAJEEBA QADAMI/JAWED, AHMED QADAMI
 Project: Wallaceton
 Unit: 3141, Phase: 3
 Model: 28-2897 C THE KINGSMERE

Created: 11/9/2022 13:43:25
 Locked:
 Closed:

Cabinet Hardware	1111	N/A *****
Countertop	1111	N/A *****
Countertop Edge	1111	N/A *****
Floor Tile	1111	N/A *****
Floor Tile Grout	1111	N/A *****
Floor Tile Pattern	1111	N/A *****
Wall Tile	1111	N/A *****
Wall Tile Grout	1111	N/A *****
Wall Tile Pattern	1111	N/A *****
Opt. Shower Floor Tile	1111	N/A *****
Opt. Shower Floor Tile Grout	1111	N/A *****
Opt. Shower Floor Tile Pattern	1111	N/A *****
Opt. Shower Jamb(s) and Sill(s)	1111	N/A *****
Plumbing Fixture (colour)	1111	N/A *****
Comment		

Main Stairs

Type	1111	Oak Stairs ***STD MAIN STAIRS***
Colour	7912	Irongate (Gryphon) STAIN TO COMPLIMENT HARDWOOD AND WILL VARY FROM FLOORING
Handrail/Pickets/Posts Type	7912	Single Collar Alt. Plain w/ Shoes with 3 1/2" Square/Cap Post(s)-BLACK ***2***
Handrail/Pickets/Posts Colour	7912	Irongate (Gryphon) STAIN TO COMPLIMENT HARDWOOD AND WILL VARY FROM FLOORING
Custom Stain/Paint	1111	N/A *****
Landing(s)	1111	Red Oak Pearl-Vintage Engineered-GRYPHON/IRONGATE-3/4 inch x 3 1/4 inch
Opt. Carpet Runner	1111	N/A *****
Comment		

N.Q

Customer Colours

10 of 33
540
Created: 11/5/2022 13:43:25

NAJEEBA QADAMI/JAWED, AHMED QADAMI
Project: Wallaceton
Unit: 3141, Phase: 3
Model: 28-2897 C THE KINGSMERE

Locked:
Closed:

Comment

Lower Level Stairs



Type	1713	Paint Grade Stairs ***STD UNFINISHED BASEMENT STAIRS
Colour	1111	N/A *****
Handrail/Pickets/Posts Type	1111	N/A *****
Handrail/Pickets/Posts Colour	1111	N/A *****
Custom Stain/Paint	1111	N/A *****
Landing(s)	1111	N/A *****
Opt. Carpet Runner	1111	N/A *****


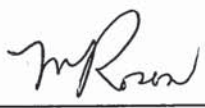
Comment

Throughout

Switches and Plug	1111	Decora White Switches and Plugs ***STD***
Thresholds	1111	Metal Thresholds ***STD***
Underpad	1111	500 Series-Underpad ***STD***
Trim Size	1111	4 1/4 Baseboard and 2 3/4 Casings ***STD***
Trim - Paint Colour	1111	Trim-WHITE ***STD***
Walls - Paint Colour	1111	22-Wall-WARM GREY ***STD***

Comment

Purchaser:  12.20.22  12.20.22
 NAJEEBA QADAMI Date Decor Consultant Date

Purchaser:  12.20.22  -01-03-2023
 JAWED, AHMED QADAMI Date Wallaceton Date Approved



CONSTRUCTION SUMMARY

Lot: 3141

Model: 28-2897 C THE KINGSMERE

Project/Phase: Wallaceton / 3

Offer	Ten Thousand Dollars (\$10,000) At D?cor. (No Cash Value) Singles
Worksheet	Note:

Offer	The Purchaser(s) acknowledge that they have NOT been referred by an existing Heathwood Homeowner and therefor are not entitled to a referral fee under Heathwood Homes Referral program.
Worksheet	Note:



CONSTRUCTION SUMMARY

Lot: 3141
Model: 28-2897 C THE KINGSMERE
Project/Phase: Wallaceton / 3

ADMIN FEE

Invoice	Qty.	Description
---------	------	-------------

APPLIANCES

Invoice	Qty.	Description
---------	------	-------------

1216 313,484 03Jan23	1	- APPLIANCES - CYCLONE 30 INCH WALL MOUNT CHIMNEY HOOD SS - SCB51930 CABINETRY-delete stove uppers; ELECTRICAL-delete std range hood; HEATING/AIR CONDITIONING-Duct change to 6 in
----------------------------	---	--

CABINETRY

Invoice	Qty.	Description
---------	------	-------------

1216 313,484 03Jan23 **	1	- APPLIANCES - CYCLONE 30 INCH WALL MOUNT CHIMNEY HOOD SS - SCB51930 CABINETRY-delete stove uppers; ELECTRICAL-delete std range hood; HEATING/AIR CONDITIONING-Duct change to 6 in
1216 314,040 03Jan23	1	KITCHEN - H34-Wall cabinet with shelf for microwave (finished interior) (opening 24 InchW x 13 3/4 InchH x 17 InchD) Viking BESIDE FRIDGE - SKETCH # 2 AND 3
1216 313,796 03Jan23	1	KITCHEN - B10-Pots and pans drawers (width min. 60cm/max. 90cm) (size subject to floor plan) Viking INSTALL ON ISLAND SKETCH # 2 AND 3
1216 313,936 03Jan23	2	KITCHEN - A22-Glass door (each) (specify clear, frosted, or smoked glass) (unfinished cabinet interior) Viking EACH SIDE OF STOVE - FROSTED GLASS SKETCH # 2 AND 3

CARPET

Invoice	Qty.	Description
---------	------	-------------

1216 346,031 03Jan23 **	1	UPPER HALL - HARDWOOD - VINTAGE 3 1/4 IN - UPPER HALL - UPG SKETCH # 4 CARPET-delete std carpet; INTERIOR TRIM-supply and install quarter rounds; PAINTING-paint quarter round
----------------------------------	---	---



CONSTRUCTION SUMMARY

Lot: 3141
Model: 28-2897 C THE KINGSMERE
Project/Phase: Wallaceton / 3

ELECTRICAL

Invoice	Qty.	Description
1216 313,484 03Jan23 **	1	- APPLIANCES - CYCLONE 30 INCH WALL MOUNT CHIMNEY HOOD SS - SCB51930 CABINENTRY-delete stove uppers; ELECTRICAL-delete std range hood; HEATING/AIR CONDITIONING-Duct change to 6 in
1216 314,229 03Jan23	1	KITCHEN - ELECTRICAL - EXTRA WALL INTERIOR OUTLET (120V/15A) ON A SEPARATE CIRCUIT (ON ARCFULT) FOR MICROWAVE SHELF SKETCH # 2 AND 3
1216 314,224 03Jan23	1	KITCHEN - ELECTRICAL - CEILING ROUGH-IN (CAPPED) INCLUDING SWITCH CENTRED OVER ISLAND SKETCH # 2
1216 345,787 03Jan23	1	GREAT ROOM - ELECTRICAL - CEILING ROUGH-IN (CAPPED) USE EXISTING SWITCH SKETCH # 2

HARDWOOD

Invoice	Qty.	Description
1216 346,031 03Jan23	1	UPPER HALL - HARDWOOD - VINTAGE 3 1/4 IN - UPPER HALL - UPG SKETCH # 4 CARPET-delete std carpet; INTERIOR TRIM-supply and install quarter rounds; PAINTING-paint quarter round

HEATING / AIR CONDITIONING

Invoice	Qty.	Description
1216 313,484 03Jan23 **	1	- APPLIANCES - CYCLONE 30 INCH WALL MOUNT CHIMNEY HOOD SS - SCB51930 CABINENTRY-delete stove uppers; ELECTRICAL-delete std range hood; HEATING/AIR CONDITIONING-Duct change to 6 in

INTERIOR RAILINGS

Invoice	Qty.	Description
1216 345,767 03Jan23	1	- Interior Railings - BLACK METAL - SINGLE COLLAR ALT. PLAIN W/ SHOES WITH 3 1/2? SQUARE/CAP POST(S) AS PER PLAN - MAIN AND 2ND FLOOR - UPG PAINTING-Notify

INTERIOR TRIM AND DOORS

Invoice	Qty.	Description
1216 346,031 03Jan23 **	1	UPPER HALL - HARDWOOD - VINTAGE 3 1/4 IN - UPPER HALL - UPG SKETCH # 4 CARPET-delete std carpet; INTERIOR TRIM-supply and install quarter rounds; PAINTING-paint quarter round



CONSTRUCTION SUMMARY

Lot: 3141
Model: 28-2897 C THE KINGSMERE
Project/Phase: Wallaceton / 3

PAINTING

Invoice	Qty.	Description
1216 346,031 03Jan23 **	1	UPPER HALL - HARDWOOD - VINTAGE 3 1/4 IN - UPPER HALL - UPG SKETCH # 4 CARPET-delete std carpet; INTERIOR TRIM-supply and install quarter rounds; PAINTING-paint quarter round
1216 345,767 03Jan23 **	1	- Interior Railings - BLACK METAL - SINGLE COLLAR ALT. PLAIN W/ SHOES WITH 3 1/2" SQUARE/CAP POST(S) AS PER PLAN - MAIN AND 2ND FLOOR - UPG PAINTING-Notify

THE KINGSMERE

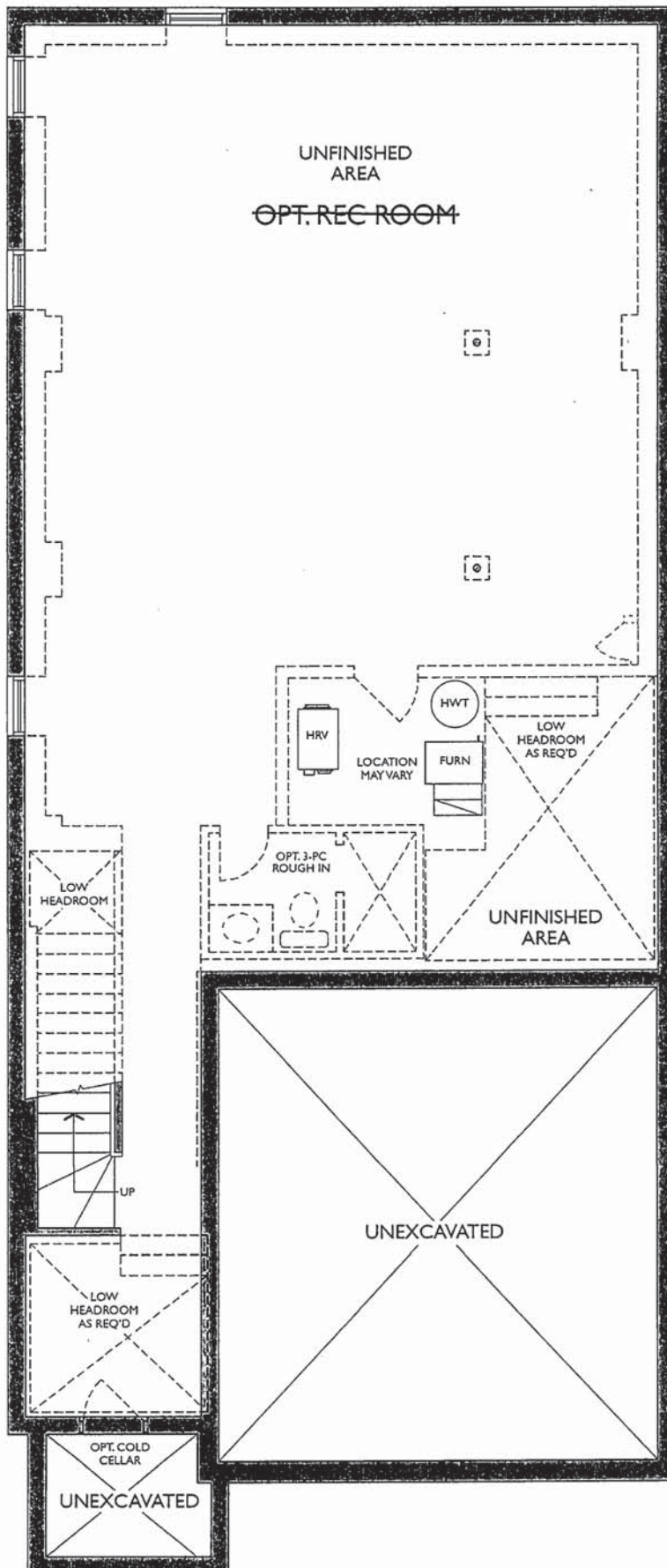
ELEVATION C | 2,894 SQ. FT.

922 sq. ft. of opt. finished Lower Level

28-2897 ELEV. C

WALLACETON
EST. 1870

Sketch # 1



LOWER LEVEL
ELEVATION C

THE KINGSMERE

ELEVATION C | 2,894 SQ. FT.
 922 sq. ft. of opt. finished Lower Level

28-2897 ELEV. C

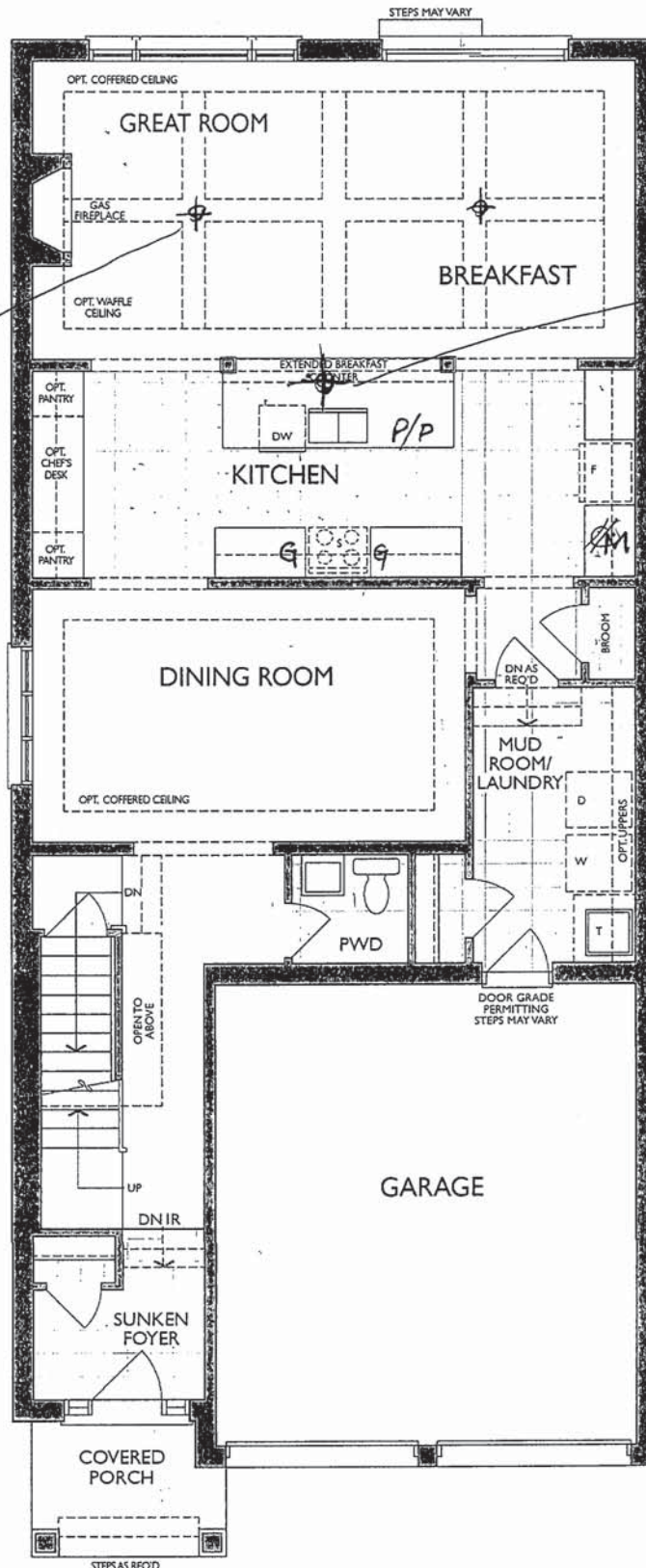
WALLACETON
 EST. 1870

Sketch # 2

CEILING ROUGH-IN
 (CAPPED) ON EXISTING
 SWITCH

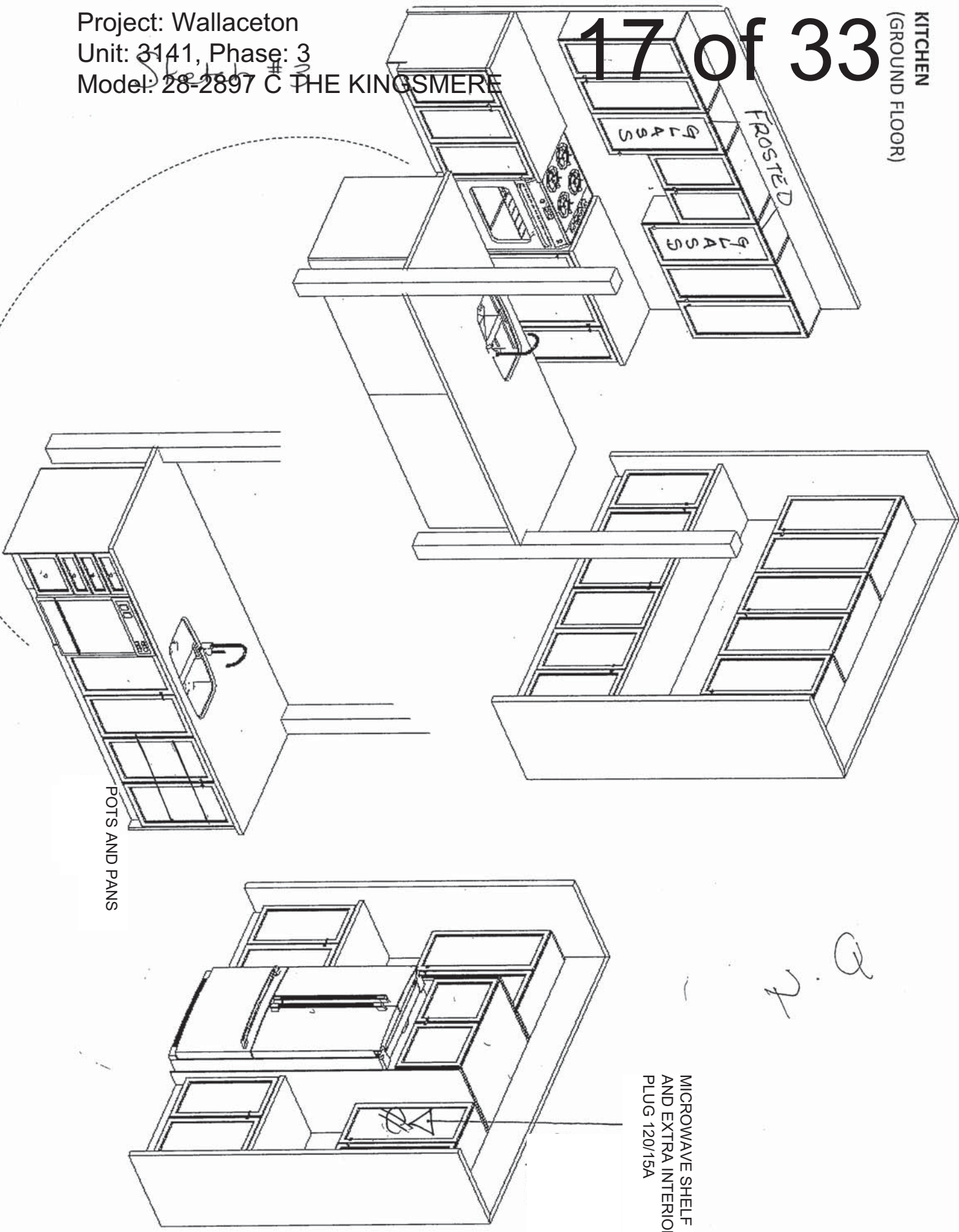
CEILING ROUGH-IN (CAPPED)
 ON SEPARATE SWITCH +/-
 CENTERED OVER ISLAND

G = FROSTED GLASS DOORS (X 2)
 M = MICROWAVE SHELF AND
 120/15A PLUG
 P/P = POTS AND PANS



MAIN FLOOR
 ELEVATION C

N.P.



F R E N D E L
K I T C H E N S L I M I T E D
1350 Showson Drive, Mississauga, ON L4W 1C5

HEATHWOOD HOMES
WALLACETON, KITCHENER ON
MODEL: 28-2897 (3404)

STANDARD CONTRACT INCLUDES:

Appliance Openings

- Hood Opening: 30"W Builder hood
- Fridge Opening: 37 3/8 "W X 73 3/8"
- Fridge cabinet & gables: 66cm Deep
- Stove Opening: 30" Freestanding
- Dishwasher Opening: 24"

Standard Kitchens Scope:

- 100cm H wall cabinets
- Std. Blumotion Hinges- **soft close**
- Std. Metabox Drawers- **not soft close**
- Min 40cm W drawer
- Base pie cut corner cabinets
- Backing on all cabinets
- Countertop by others
- Upgrade applied paneled fridge & dishwashers supply only (appliance hardware by others)

Standard Vanity & Laundry Scope:

- Powder by others, pedestal
- Master Ens. - Top by others
- Remaining vanities inc. laminate top
- Std. Blum Hinges- **not soft close**
- Std. Metabox Drawers- **not soft close**
- Master Ens: Top drawers(Sink Full height)
- Mains: Full height doors (top drawers added if Masters can't accommodate)
- Optional laundry base & wall cabinets

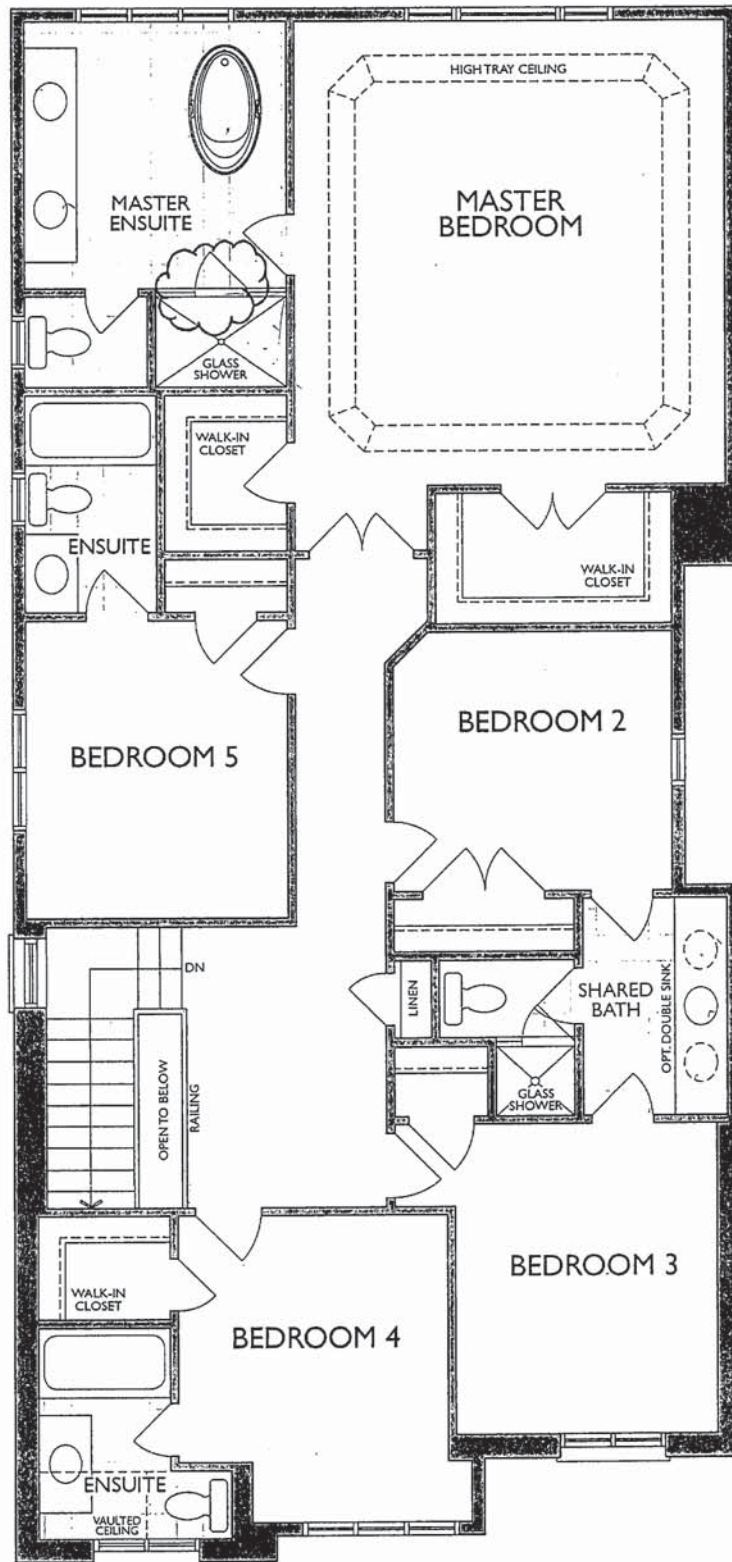
THE KINGSMERE

ELEVATION C | 2,894 SQ. FT.
922 sq. ft. of opt. finished Lower Level

WALLACETON
EST. 1870

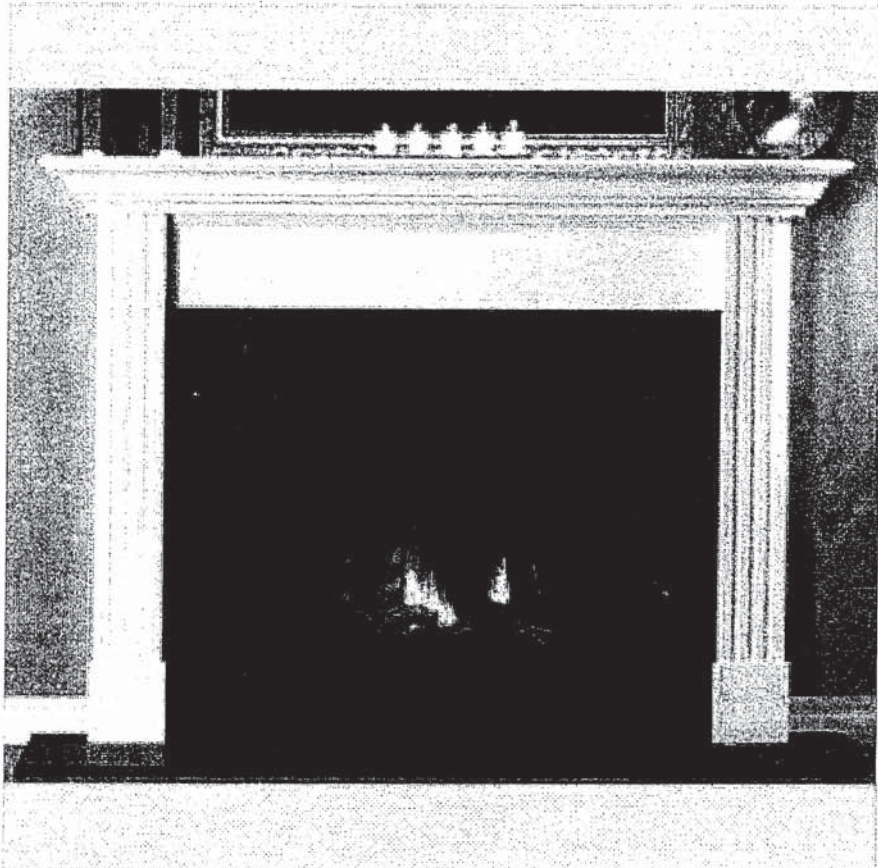
28-2897 ELEV. C

Sketch # 4



SECOND FLOOR
ELEVATION C

*Master Ensuite Shower Door Swing Changed



N-Q

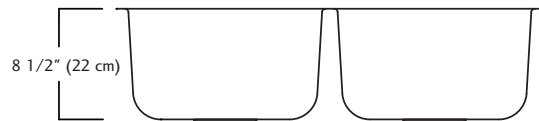
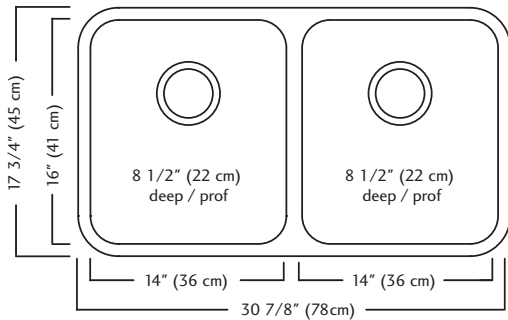
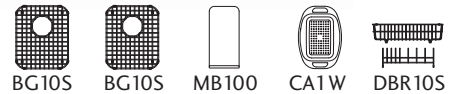
NFAS NF15 Mantel

Reginox

ND1831UA/9



Optional Accessories



ND1831UA/9 SPECIFICATION

Model ND1831UA/9 is a double (two equal size) bowl undermount sink manufactured by Franke Kindred Canada Limited from 18 gauge stainless steel. Product has silk finished rims and linear brush finished bowls. Sink is fully undercoated. Basket strainer waste fittings (3 1/2", 89 mm) are included. Sink is backed with a limited lifetime warranty.

- O.D. 17 3/4" x 30 7/8" x 8 1/2" (45 x 78 x 22 cm)
- **Recommended for minimum 36" cabinet**

Franke Kindred Canada Limited
 P.O. Box 190, 1000 Franke Kindred Road, Midland, Ontario, Canada, L4R 4K9 Phone: 866-687-7465 Fax: 800-361-8408



Specifications

FAUCET DESCRIPTION

- Reflex™ pulldown system offers smooth operation, easy movement and secure docking
- Power Clean™ spray technology
- Metal construction with various finishes identified by suffix
- Quick connect installation
- Pulldown spray with 68" braided hose
- Flexible supply lines with 3/8" compression fittings
- High arc spout provides height and reach to fill or clean large pots while pulldown wand provides the maneuverability for cleaning or rinsing
- 360° rotating spout
- Faucet designed for handle to be mounted on right side only

OPERATION

- Lever style handle
- Temperature controlled by 100° arc of handle travel
- Operates with less than 5 lbs. of force
- Operates in stream or spray mode in the pullout or retracted position

FLOW

- Flow is limited to 1.5 gpm (5.7 L/min) max at 60 psi

CARTRIDGE

- 1255™ Duralast™ cartridge

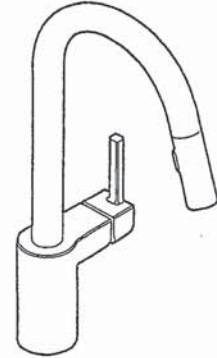
STANDARDS

- Third party certified to IAPMO Green, ASME A112.18.1/CSA B125.1 and all applicable requirements therein including NSF 61/9G & 372
- Meets CalGreen and Georgia SB370 requirements
- Complies with California Proposition 65 and with the Federal Safe Drinking Water Act
- The backflow protection system in the device consists of two independently operating check valves, a primary and a secondary which prevent backflow

- ADA for lever handle

WARRANTY

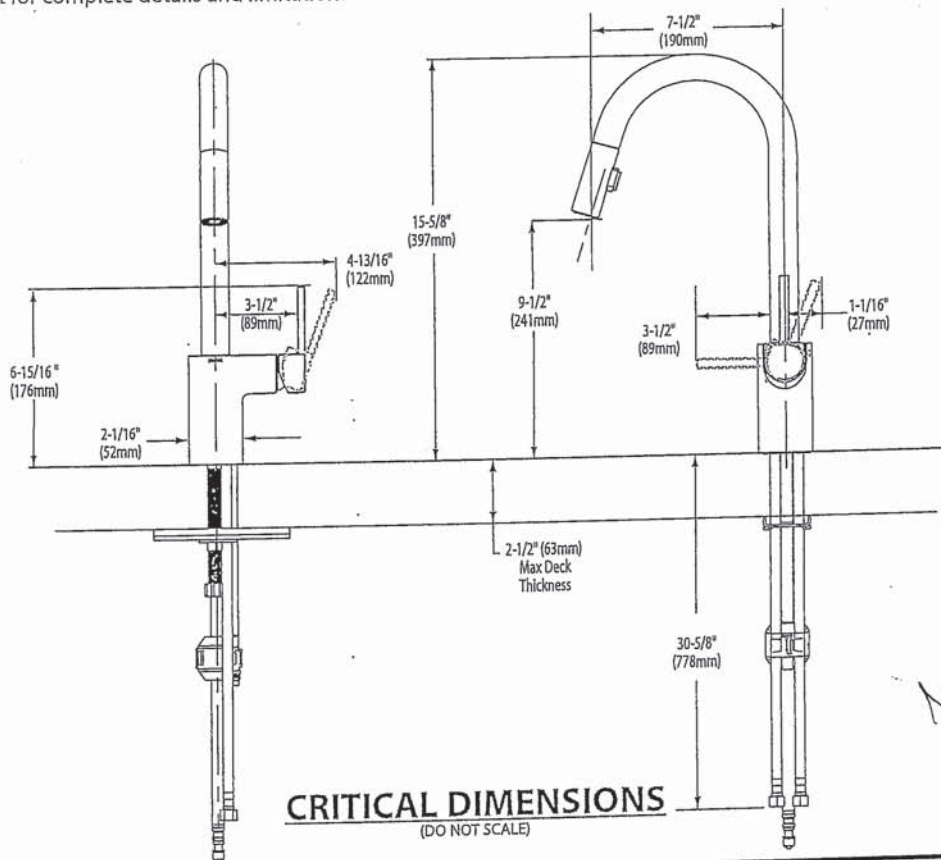
- Lifetime limited warranty against leaks, drips and finish defects to the original homeowner
 - 10 year limited warranty when used in a multifamily installation
 - 5 year limited warranty when used in a commercial installation
- Visit www.moen.com/support for complete details and limitations



ALIGN™
 Single Handle High Arc
 Pulldown Kitchen Faucet

Models: 7565 series

NOTE: THIS FAUCET IS DESIGNED TO BE INSTALLED THROUGH 1 HOLE, 1-1/2" (38mm) MIN. DIA. (OPTIONAL 3-HOLE ESCUTCHEON 141002 AVAILABLE)



FOR MORE INFORMATION CALL: 1-800-BUY-MOEN
www.moen.com



 BARRIER FREE (ABOVE COUNTER OR DROP-IN ONLY)

BOULEVARD®
PEDESTAL SINK
VITREOUS CHINA

BOULEVARD® PEDESTAL SINK

- ~~0641.800 Faucet holes on 8" (203mm) centers (illustrated)~~
- STD** **0641.400** Faucet holes on 4" (102mm) centers
- ~~0641.100 Center hole only~~
- Classic styled rectangular pedestal lavatory
 - Vitreous china
 - Rear overflow
 - Supplied with mounting kit
 - Right Height® for greater comfort during use
 - Faucet ledge with large deck area (faucet not included)
 - **Design coordinates with Boulevard® Toilet**
 - Basin has flat bottom to also allow use as an **above counter** sink or a **drop-in** sink (with u-shaped cut out)

Nominal Dimensions:

24" x 19" x 35-1/2"
(610 x 483 x 902mm)

- 0641.008** Pedestal top-8" (203mm) centers
- 0641.004** Pedestal top-4" (102mm) centers
- 0641.001** Pedestal top-center hole only
- 0010.000** Pedestal only

Bowl sizes:

17" (432mm) wide,
12-1/2" (318mm) front to back,
5" (127mm) deep

Compliance Certifications -

Meets or Exceeds the Following Specifications:

- ASME A112.19.2 - 2008/CSA B45.1-08



SEE REVERSE FOR ROUGHING-IN DIMENSIONS

To Be Specified:

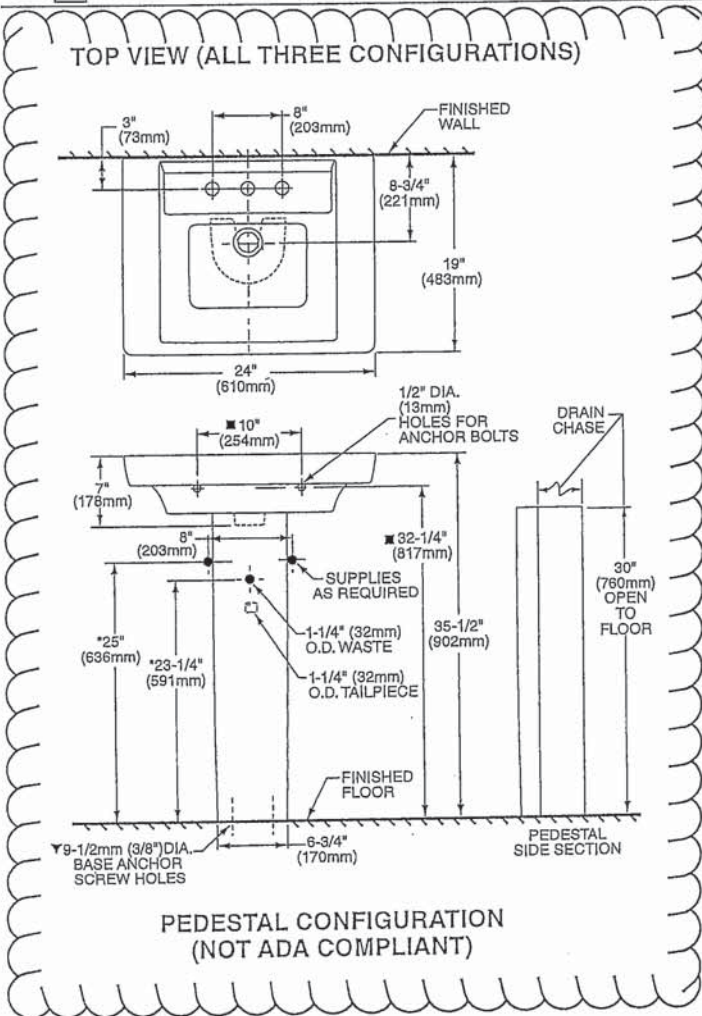
- Color: White Linen
- Faucet Finish:
- Supplies:
- 1-1/4" Trap:
- Nipple:

* See faucet section for additional models available

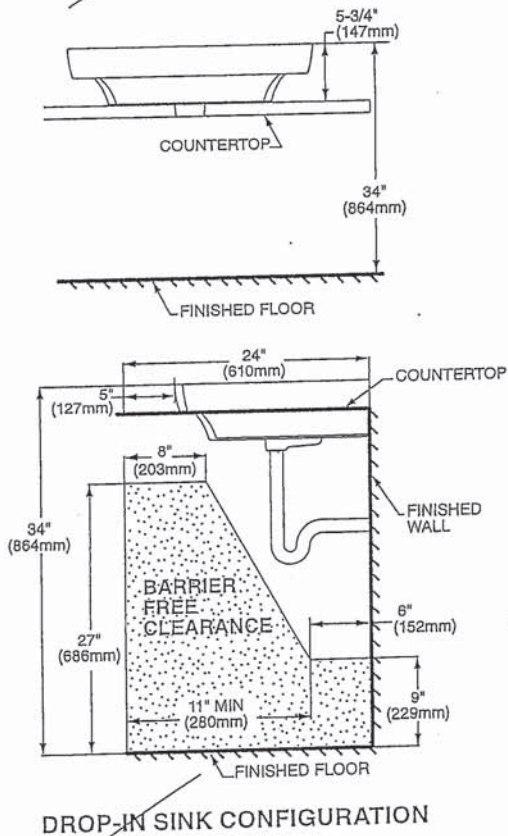
American Standard

**BOULEVARD®
 PEDESTAL SINK**
 VITREOUS CHINA

 BARRIER FREE (ABOVE COUNTER OR DROP-IN ONLY)



ABOVE COUNTER CONFIGURATION



ABOVE COUNTER AND DROP-IN SINK CONFIGURATIONS MEET THE AMERICANS WITH DISABILITIES ACT GUIDELINES AND ANSI A117.1 ACCESSIBLE AND USABLE BUILDINGS AND FACILITIES - CHECK LOCAL CODES.
 Top of sink installed at 34" (864mm) height from finished floor.
 Sink installed 5" (127mm) minimum from front edge of countertop.
 Provide 27" (686mm) knee clearance area.

NOTES:
 * DIMENSIONS SHOWN FOR LOCATION OF SUPPLIES AND "P" TRAPS ARE SUGGESTED.
 ▼ PEDESTAL ANCHORING SCREWS NOT INCLUDED.
 ■ SUITABLE FOR REINFORCEMENT ONLY. ACTUAL DIMENSIONS MUST BE TAKEN FROM FIXTURE.
 FITTING NOT INCLUDED AND MUST BE ORDERED SEPARATELY.
 PROVIDE SUITABLE REINFORCEMENT FOR ALL WALL SUPPORTS.
 INSTALLATION INSTRUCTIONS SUPPLIED WITH LAVATORY.

IMPORTANT: Dimensions of fixtures are nominal and may vary within the range of tolerance established by ANSI Standard A112.19.2. These measurements are subject to change or cancellation. No responsibility is assumed for use of superseded or voided pages.

American Standard

Style That Works Better

 BARRIER FREE

OVALYN™
UNDERCOUNTER SINK
VITREOUS CHINA

OVALYN™ UNDERCOUNTER SINK

- Classic oval undermount sink
- Made from vitreous china
- Front overflow
- Supplied with mounting kit (047194-0070A) and template

0495.221 Unglazed rim

435 x 359mm
(17-1/8" x 14-1/8")

0495.300 Glazed underside

Bowl size:

382mm (15-1/16") wide
306mm (12-1/16") front to back
140mm (5-1/2") deep

0496.221 Unglazed rim

489 x 413mm
(19-1/4" x 16-1/4")

0496.300 Glazed underside

Bowl size:

432mm (17") wide
356mm (14") front to back
140mm (5-1/2") deep

0497.221 Unglazed rim

546 x 441mm
(21-1/2" x 17-3/8")

0497.300 Glazed underside

Bowl size:

483mm (19") wide
391mm (15-3/8") front to back
140mm (5-1/2") deep

**Compliance Certifications -
Meets or Exceeds the Following Specifications:**

- ASME A112.19.2M for Vitreous China Fixtures
- CAN/CSA B45 series

To Be Specified:

- Color: White Bone Linen
 Silver Fawn Beige Black
- Faucet*:
 Faucet Finish:
 Supplies:
 1-1/4" Trap:

* See faucet section for additional models available



STD Master Ensuite Undermount SINGLES x 2

SEE REVERSE FOR ROUGHING-IN DIMENSIONS

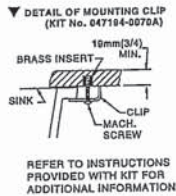
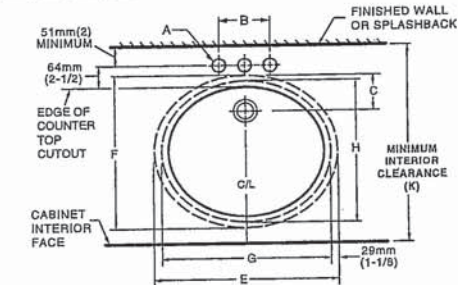
N-Q

American Standard
 Style That Works Better

OVALYNT™ UNDERCOUNTER SINK VITREOUS CHINA

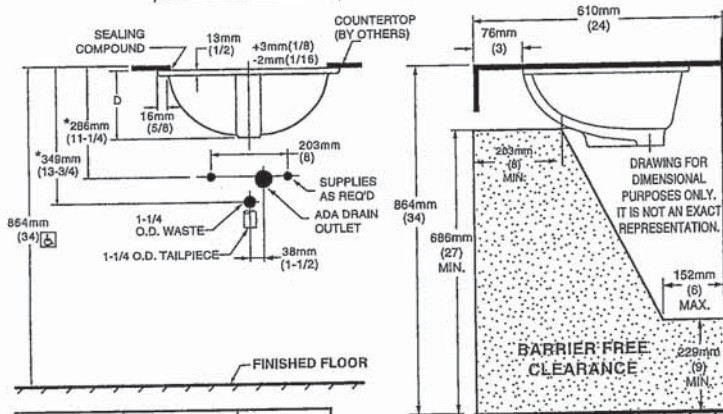
BARRIER FREE

0496/0497



NOTES:
 * DIMENSIONS SHOWN FOR LOCATION OF SUPPLIED AND "P" TRAP ARE SUGGESTED.
 ▼ UNDERCOUNTER MOUNTING KIT SUPPLIED WITH SINK.
PLEASE NOTE MINIMUM INTERIOR CLEARANCE DIMENSION (K). FITTINGS NOT INCLUDED AND MUST BE ORDERED SEPARATELY. USE ENCLOSED TEMPLATE FOR COUNTERTOP CUTOUT SEALING COMPOUND SUPPLIED BY OTHERS.

IMPORTANT: Dimensions of fixtures are nominal and may vary within the range of tolerances established by ANSI Standard A112.19.2. These measurements are subject to change or cancellation. No responsibility is assumed for use of superseded or voided pages.



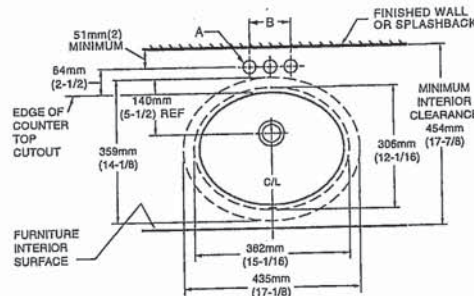
MEETS THE AMERICANS WITH DISABILITIES ACT GUIDELINES AND ANSI A117.1 ACCESSIBLE AND USEABLE BUILDINGS AND FACILITIES - CHECK LOCAL CODES.

Countertop 864mm (34") from finished floor. Lavatory installed 76mm (3") from front edge of countertop. Countertop thickness to be 25mm (1") maximum.

FITTING	A	B
CENTERSET	1-1/4 (32mm)	4 (102mm)
SPREAD	1-3/8 (35mm)	8 (203mm)

CAT. NO.	E	F	G	H	C	D	J	K
0496.221	489mm (19-1/4)	413mm (16-1/4)	432mm (17)	356mm (14)	103mm (4-1/16)	182mm (7-3/16)	16mm (5/8)	500mm (19-11/16)
0497.221	546mm (21-1/2)	441mm (17-3/8)	483mm (19)	391mm (15-3/8)	95mm (3-3/4)	191mm (7-1/2)	19mm (3/4)	534mm (21-1/16)

0495



FITTING	A	B
CENTERSET	1-1/4 (32mm)	4 (102mm)
SPREAD	1-3/8 (35mm)	8 (203mm)

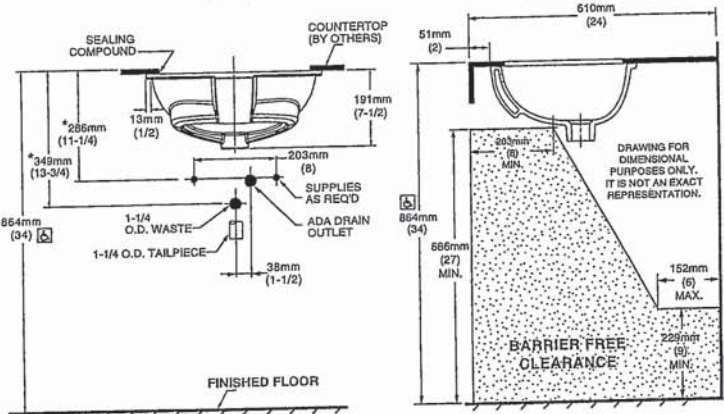
NOTES:
 USE ENCLOSED TEMPLATE FOR COUNTER TOP CUTOUT. FITTINGS NOT INCLUDED WITH FIXTURE AND MUST BE ORDERED SEPARATELY.
 * DIMENSIONS SHOWN FOR LOCATION OF SUPPLIED AND "P" TRAP ARE SUGGESTED.
 ▼ UNDERCOUNTER MOUNTING KIT SUPPLIED WITH SINK.
PLEASE NOTE MINIMUM INTERIOR CLEARANCE DIMENSION (K). SEALING COMPOUND SUPPLIED BY OTHERS.

IMPORTANT: Dimensions of fixtures are nominal and may vary within the range of tolerances established by ANSI Standard A112.19.2. These measurements are subject to change or cancellation. No responsibility is assumed for use of superseded or voided pages



MEETS THE AMERICANS WITH DISABILITIES ACT GUIDELINES AND ANSI A117.1 ACCESSIBLE AND USEABLE BUILDINGS AND FACILITIES - CHECK LOCAL CODES.

Countertop 864mm (34") from finished floor. Lavatory installed 51mm (2") from front edge of countertop. Countertop thickness to be 25mm (1") maximum.



J54

Revised 2/08



BARRIER FREE

**COLONY™
 COUNTERTOP SINK**
 VITREOUS CHINA

COLONY COUNTERTOP SINK

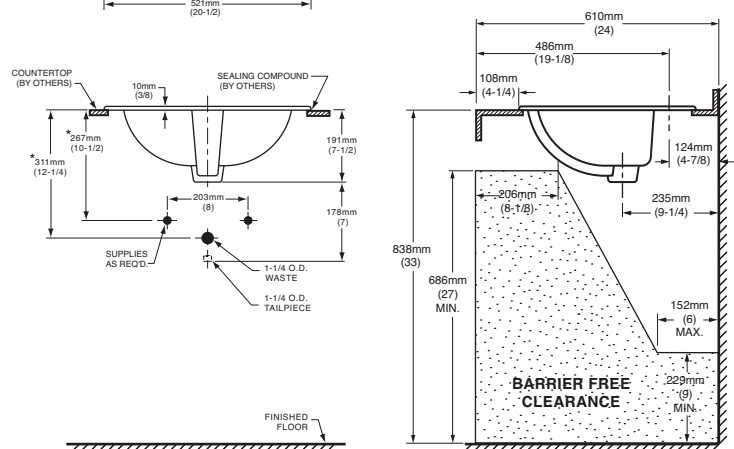
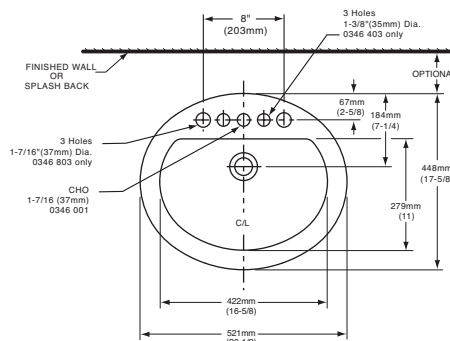
- Vitreous china
- Self-rimming
- Front overflow
- Supplied with template
- Faucet deck
 (Faucet shown not included)



- 0346 803**
 Faucet holes on 203mm (8") centres
- 0346 403** (Illustrated)
 Faucet holes on 102mm (4") centres
- 0346 001**
 Centre hole only

Nominal Dimensions:
 521 x 448mm (20-1/2" x 17-5/8")

Bowl sizes:
 422mm (16-5/8") wide, 279mm (11") front to back, 143mm (5-5/8") deep



COMPLIANCE CERTIFICATIONS –
 Meets or exceeds the following Specifications:
 • ASME A112.19.2M for Vitreous China Fixtures.
 • CAN/CSA B45 Series.

- To Be Specified
- Colour: White Bone Silver Gray
 Linen
 - Faucet*:
 - Faucet Finish:
 - Supplies & Stops:
 - Trap 1-1/4" (32 mm):

NOTES:
 * DIMENSIONS SHOWN FOR LOCATION OF SUPPLIES AND "P" TRAP ARE SUGGESTED. FOR COUNTERTOP CUTOUT AND INSTALLATION INSTRUCTIONS USE TEMPLATE SUPPLIED WITH SINK.
 FAUCETS NOT INCLUDED AND MUST BE ORDERED SEPARATELY.
 IMPORTANT: Dimensions of fixtures are nominal and may vary within the range of tolerances established by ANSI Standard A112.19.2.
 These measurements are subject to change or cancellation. No responsibility is assumed for use of superseded or voided pages.

* See faucet section for additional models available



DEMI™ Product Specification Sheet

Two Piece Freestanding Collection



CF2007 Two Piece Freestanding Soaker

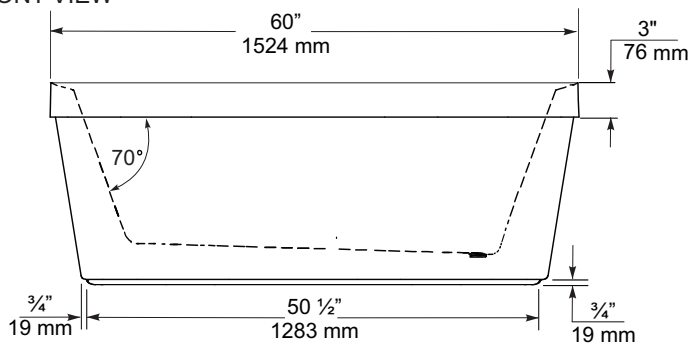
Size: 60" x 32" x 22"
 1524 mm x 813 mm x 559 mm

PRODUCT FEATURES & BENEFITS

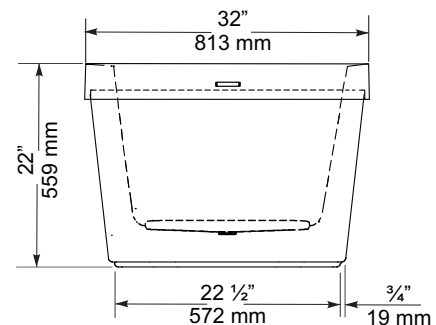
- Vacuum formed acrylic reinforced with fiberglass
- Scratch, stain and fade resistant high gloss finish
- Installation friendly two piece design
- Accepts deck mounted faucet
- Includes integral pop up drain and rectangular overflow
- Includes levelling feet

TWO PIECE ASSEMBLY

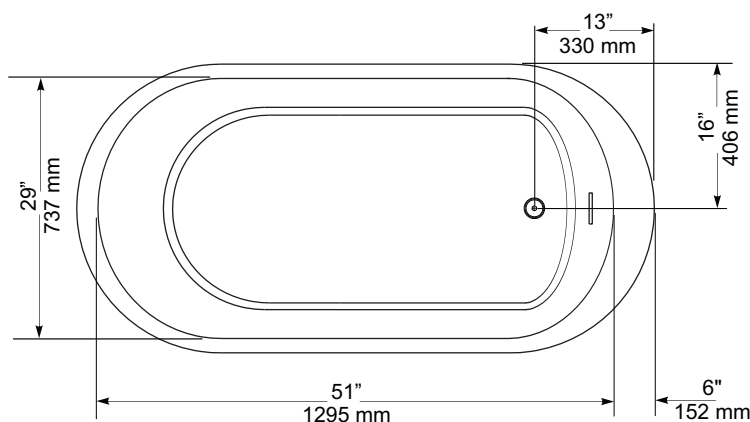
FRONT VIEW



END VIEW



TOP VIEW



GENERAL SPECIFICATIONS

Average Weight	90 lb	41 kg
Bathing Well at bottom	43" x 20"	1092 x 508 mm
Capacity Drain to Overflow		195 litres
Water Depth Drain to Overflow	16"	406 mm
Drain Opening (dia.)	2"	51 mm
Overflow Opening	2 1/4" x 1/2"	57 x 13 mm
Drain to Floor Clearance	3 1/4"	83 mm

NOTES: Please confirm measurements on actual product to ensure proper identification. Bathtub to be installed on the floor supported by 5 self levelling feet. Adjust if required to level the bathtub for adequate drainage. Refer to installation instructions for additional information.

IMPORTANT: Dimensions of fixtures are nominal and may vary ± 1/4" (6 mm). Weight may vary ± 5 lb (2.3 kg). Drawing is not to scale. These measurements are subject to change at manufacturer's discretion.

Compliance Certifications -

Meets or Exceeds the following Specifications:

- CAN/CSA - B45 Series



60 Shorncliffe Rd., Toronto, Ontario M8Z 5K1
 Telephone: 416.231.9030 Fax: 416.231.0929
 www.mirolin.com

Customer Service: 416.231.5790
 Canada, U.S.A.: 800.MIROLIN(647-6546)
 Fax, Canada: 800.463.2236

R0084162
 25 Sep. 2018

American Standard
 Style That Works Better

FloWise™ DUAL FLUSH ELONGATED TOILET

VITREOUS CHINA

FloWise™ DUAL FLUSH ELONGATED TOILET

2476 216

- Vitreous china
- Low-consumption Dual Flush
 Full flush 6.0 Lpf/1.3 gpf,
 Partial flush 3.0 Lpf/0.66 gpf.
- Elongated wash down bowl
- Internal trapway fully-glazed,
 2-1/4" (57mm) ballpass
- Concealed trapway bowl
- Chrome-plated top mounted
 push button actuator
- Easy to clean sanitary dam on bowl
- Includes Elongated Slow Close Seat
- 100% factory flush tested
- 2 bolt caps

Separate Component Parts:

- 3067 316 Elongated Bowl with Slow Close Seat
- 4035 216 Unlined Tank



2476 516 Same as above with Lined tank

- 3067 316 Elongated Bowl
- 4035 516 Lined Tank

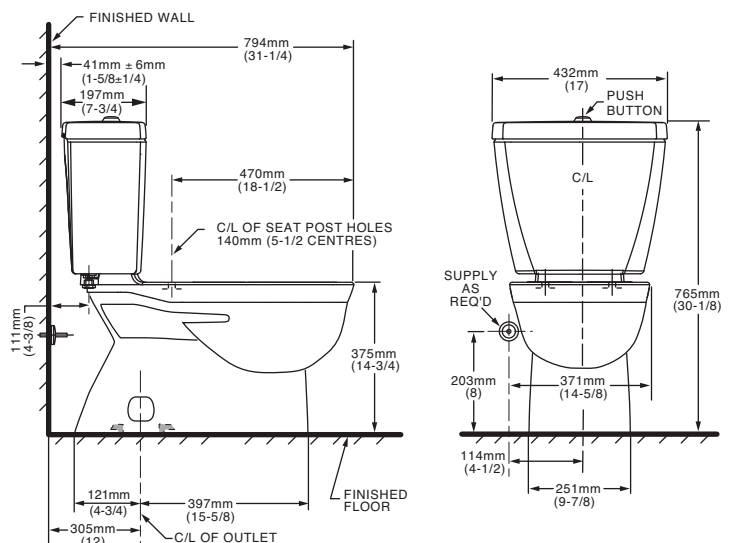
Nominal Dimensions:
 794 x 432 x 765mm
 (31-1/4" x 17" x 30-1/8")

Compliance Certifications - Meets or Exceeds the Following Specifications:

- ASME A112.19.2M (and 19.6M)
- CAN/CSA B45 series

To Be Specified

- Colour: 020 White
- Supply with stop:



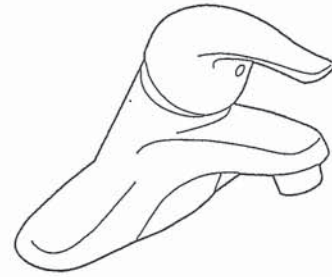
NOTES:

THIS TOILET IS DESIGNED TO ROUGH-IN AT A MINIMUM DIMENSION OF 305MM (12") FROM FINISHED WALL TO C/L OF OUTLET.
 SUPPLY NOT INCLUDED WITH FIXTURE AND MUST BE ORDERED SEPARATELY.
 * DIMENSION SHOWN FOR LOCATION OF SUPPLY IS SUGGESTED.
 FOR ADDITIONAL INFORMATION REFER TO INSTALLATION INSTRUCTIONS SUPPLIED.
 IMPORTANT: Dimensions of fixtures are nominal and may vary within the range of tolerance established by ANSI Standard A112.19.2
 These measurements are subject to change or cancellation. No responsibility is assumed for use of superseded or voided pages.

UPGRADED VALUE ADDED FEATURES AT NO EXTRA CHARGE



Specifications



CHATEAU® Single-Handle Lavatory Faucet

with Metal Waste Assembly

Model: L4625 series
L4631BC

Bulk Packed (12 per carton):
L64624 series

with 50/50 Waste Assembly

Bulk Packed (12 per carton):
L64625 series

Less Waste

Bulk Packed (12 per carton):
L64600 series

NOTE: THIS FAUCET IS DESIGNED TO BE
 INSTALLED THRU 3-1" DIA. HOLES, 2" ON CENTER



DESCRIPTION

- Metal construction with various finishes identified by suffix
- 16" long 3/8" tubing connections
- Includes metal or 50/50 pop-up type waste assembly where noted

OPERATION

- Pivot action lever style handle
- Temperature controlled through 180° degree arc of handle travel


FLOW

- Flow is limited to 1.5 gpm max (5.7L/min) at 60 psi

CARTRIDGE

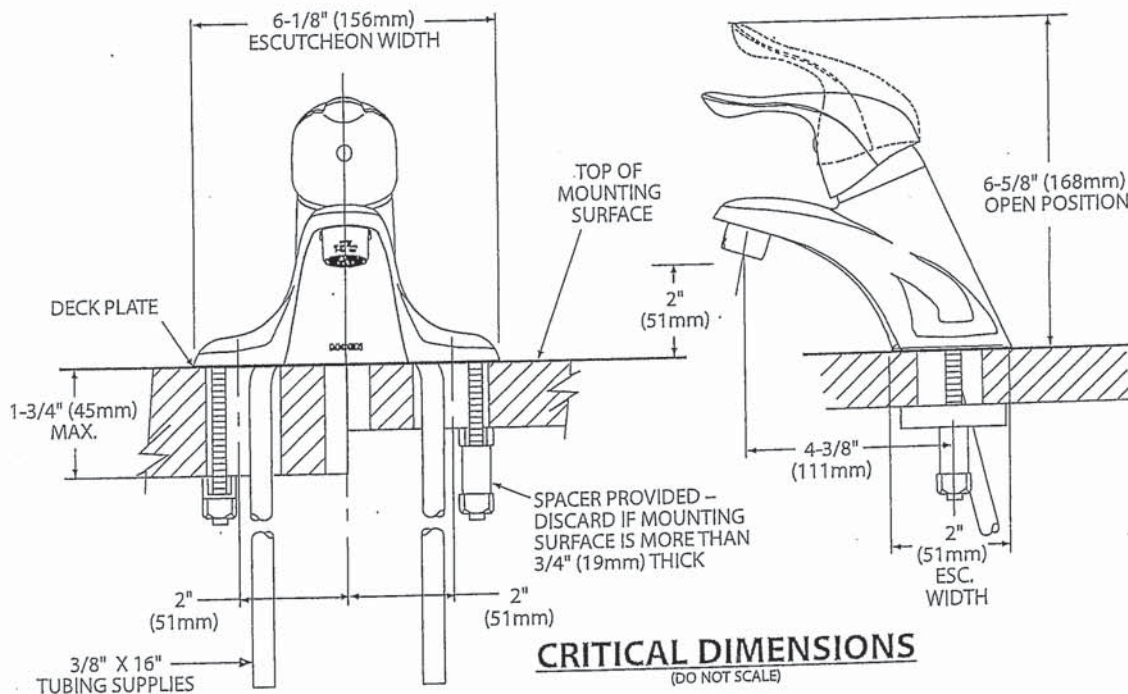
- 1225 cartridge design
- Nonmetallic/nonferrous and stainless steel material
- Can accommodate reversed piping and back to back installations

STANDARDS

- Third party certified to WaterSense®, CSA B-125.1, ASME A112.18.1 and all applicable requirements referenced therein including NSF61/9
- Complies with California Proposition 65 and with the Federal Safe Drinking Water Act
- ADA  for lever handle

WARRANTY

- Lifetime limited warranty against leaks, drips and finish defects to the original consumer purchaser
- 5 year warranty if used in commercial installations



N.D

FOR MORE INFORMATION CALL: 1-800-BUY-MOEN
www.moen.com



Buy it for looks. Buy it for life.®

There is more than 1 version of this model.
 Page down to identify the version you have.

DESCRIPTION

- Metal construction with various finishes identified by suffix
- Includes non-metallic showerhead, arm, flange and non-metallic diverter tub spout

OPERATION

- Handle operates counterclockwise through a 270° arc with off at 6 o'clock and maximum hot at the 9 o'clock position. Shut off in clockwise direction
- Adjustable temperature limit stop to control maximum hot water temperature
- Pressure balancing mechanism maintains selected discharge temperature to ± 3°

FLOW

- Showerhead is limited to 2.5 gpm (9.5 L/min) at 80 psi
- EP suffix models are limited to 1.75 gpm (6.6 L/min) at 80 psi
- NH suffix models contain no showerhead

CARTRIDGE

- 1222 cartridge design
- Accommodates back to back installations
- Nonmetallic/nonferrous and stainless steel material

STANDARDS

- Third party certified to meet ASME A112.18.1/CSA B125.1 and all applicable requirements referenced therein
- EP suffix models are third party certified to WaterSense®

- ADA for lever handle

WARRANTY

- Lifetime limited warranty against leaks, drips and finish defects to the original consumer purchaser
- 5 year warranty if used in commercial installations

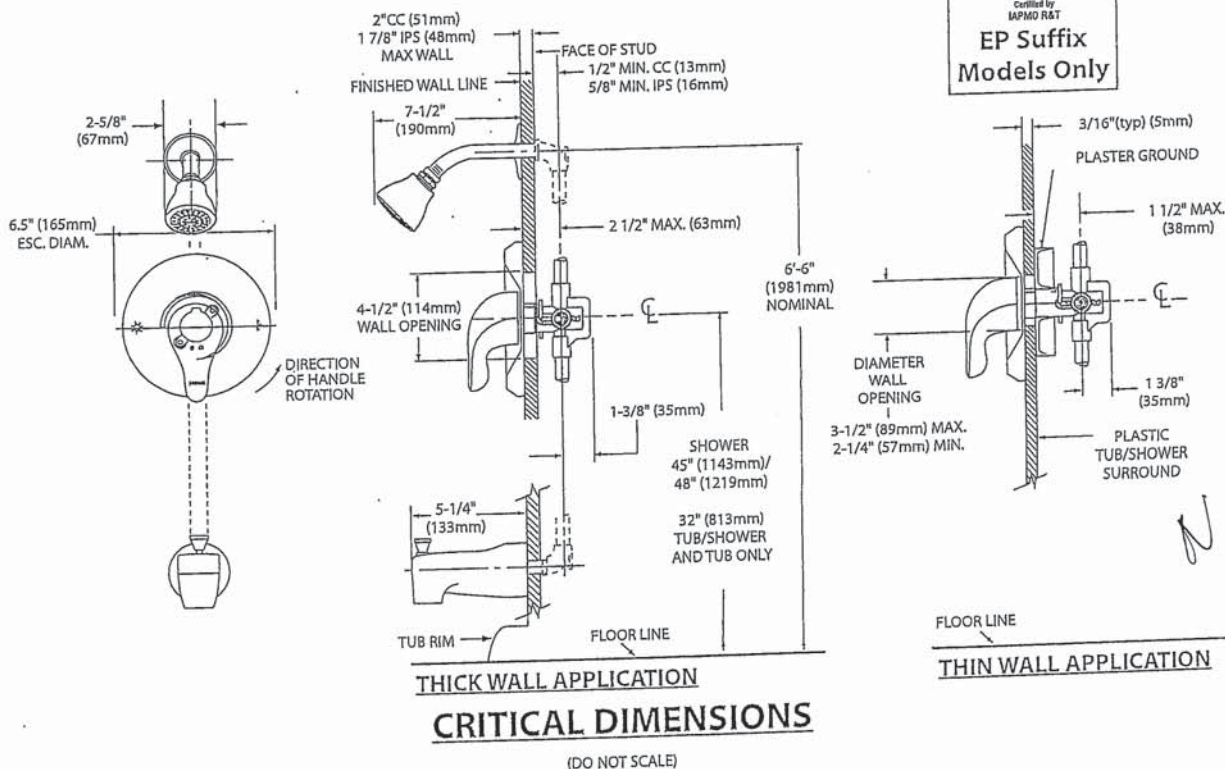
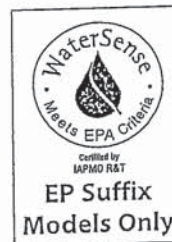
Specifications



**CHATEAU® POSI-TEMP®
 Single-Handle Tub/Shower Trim Kit**

- Models:** TL181 series - valve trim only
 (Bulk Packed 12 per carton)
 TL182 series - shower trim only
 (Bulk Packed 12 per carton)
 TL183 series - tub/shower trim
 (Bulk Packed 12 per carton)

- Valves:** 62300 series
 2500 series



FOR MORE INFORMATION CALL: 1-800-BUY-MOEN
 www.moen.com



Specifications


DESCRIPTION

- Metal construction with various finishes identified by suffix

OPERATION

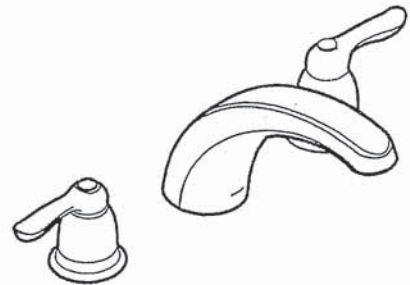
- Lever style handles with hot and cold color indicator
- Rotate hot side handle counterclockwise to open (clockwise to close) and the cold side handle (clockwise to open) and (counterclockwise to close)

STANDARDS

- Third party certified to: ASME A112.18.1/CSA B-125.1, and all applicable requirements referenced therein
- ADA  for lever handles

WARRANTY

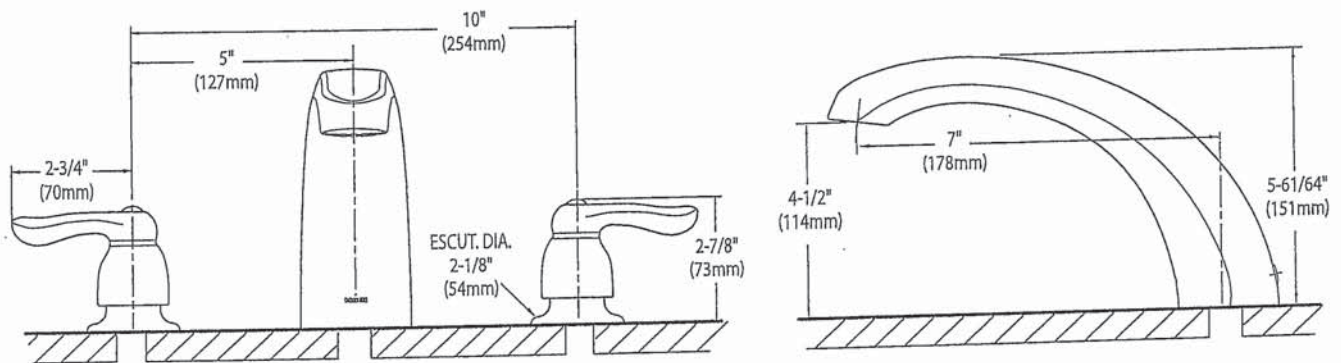
- Lifetime limited warranty against leaks, drips and finish defects to the original homeowner
 - 10 year limited warranty when used in a multi-family installation
 - 5 year limited warranty when used in a commercial installation
- Visit www.moen.com/support for complete details and limitations



CHATEAU®
Two-Handle Garden Tub Trim

Models: T994 series

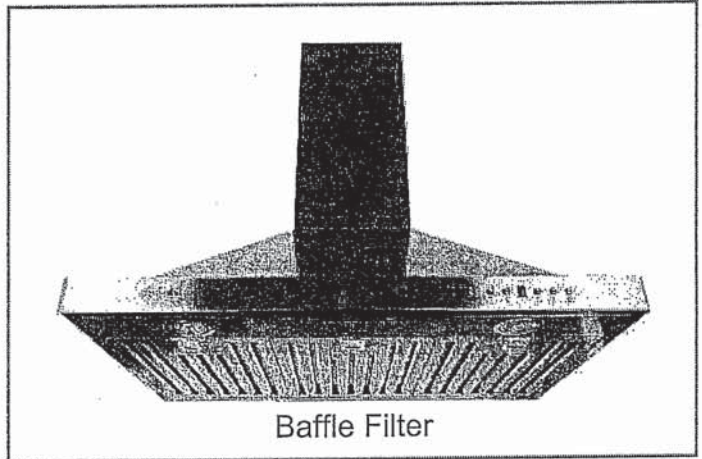
Valves: 4792, 4793, 4794, 4796, 4797, 4798



N-Q

CRITICAL DIMENSIONS (DO NOT SCALE)

SC(B)519 | ALITO Collection



Wall Mount

Strong and sturdy with attractive lines and an imposing frame, the SC(B)519 is fitted with a time-delay OFF feature up to nine minutes, a 550 CFM fan, two bright front mounted LED lights and a digital three-speed push button control panel.

Green Features



3 Speed Push Button Control Panel



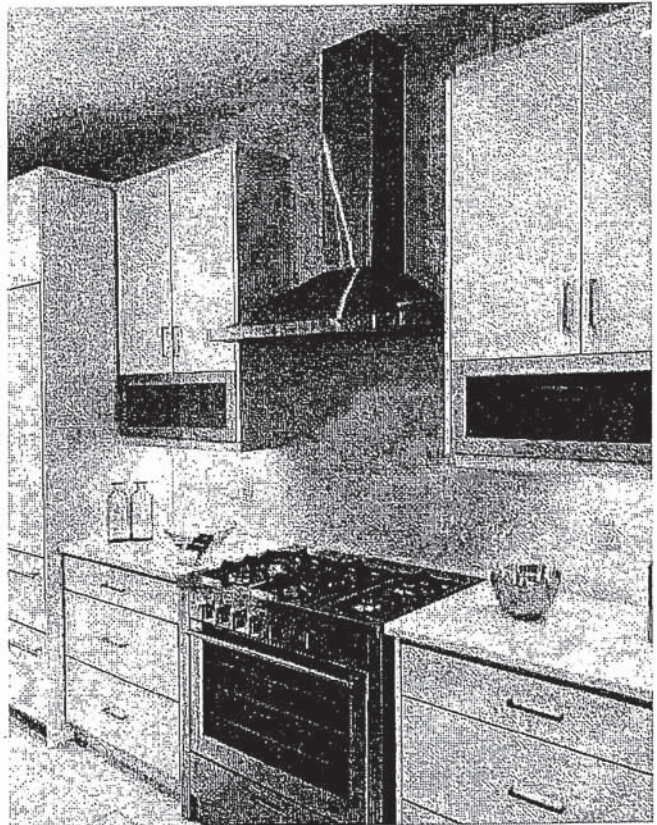
Long-Lasting LED Lights



Time-Delay OFF Feature



Grease Cup



Model	Colour	Ducting	Filters	Size	CFM
-------	--------	---------	---------	------	-----

SCB51930 ✓	Stainless Steel	6"	Baffle	30"	550
SCB51936	Stainless Steel	6"	Baffle	36"	550

Cyclone Range Hoods Inc.
 1361 Huntingwood Drive, Unit 16, Toronto, ON, M1S 3J1, Canada.
 Toll-Free: 1-888-293-5662 Tel: (416) 293-0933 Fax: (416) 293-4793 Website: www.CycloneRangeHoods.com

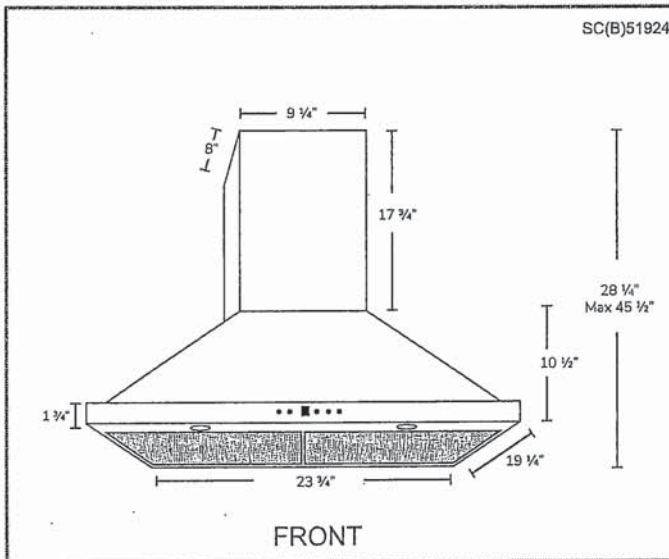
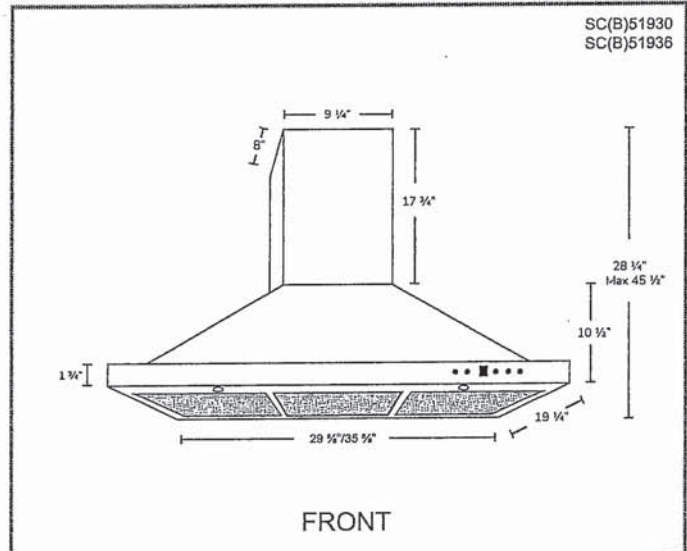
N-Q

SC(B)519 | ALITO Collection



Features

- Wall mount range hood
- 6" round duct adapter
- Non-stick aluminum fan blades
- 3 speed push button control
- 2 LED lights (2 x 1.4W, 4000K)
- Quick release aluminum mesh filters
- Standard chimney fits up to 9 ft. ceiling
- Up to 9 minutes time-delay OFF feature
- Plug-in connection



Options

- Filters:
 - SCB519 - Quick Release Stainless Steel Baffle Filters
- Chimney Flues:
 - A1.CH10 - short (7'-8' ceilings)
 - A1.CH18 - standard (8'-9' ceilings)
 - A1.CH30 - extended (9'-11' ceilings)
- Widths: 24", 30", 36"

Specifications

- | | | |
|--|--|--|
| <ul style="list-style-type: none"> • Air Flow Volume: 550 CFM • Electrical Connection: 120 V/60 Hz • Power Consumption: 300 Watts | <ul style="list-style-type: none"> • Current: 2.5 Amps • Fan Speed: 1599 RPM • Fan Type: Centrifugal Blower | <ul style="list-style-type: none"> • Finishes: Stainless Steel • Ducting: 6" Round • Noise Level: Min. 2 Sones
Max. 6 Sones |
|--|--|--|



Toronto • Vancouver • Boston
www.CycloneRangeHoods.com

NQ