



SITE APPLIANCE CANADA

Sales Selection Sheet
Wallaceton

46 of 53

PURCHASER: SAHIL RAINA

TEL:

LOT / UNIT 368	PHASE 3	MODEL 25-2269 D The Walden	
-------------------	------------	-------------------------------	--

It is herein understood and agreed between the undersigned parties hereto that the following changes shall be made to the above mentioned Agreement of Purchase and Sale in accordance with the agreement and except for such changes noted below, all other terms and conditions in the Agreement of Purchase and Sale shall remain as stated herein: It is further understood that and agreed that all changes and additions shall be installed as per builder's specifications, location and available selections. The Purchaser hereby agrees to purchase the following extras:

APPLIANCES

1	- SEE NEW LG APPLIANCES UPGRADED WITH APPLIANCE CANADA	Qty: 1.0000
128,108	Note: NO CHANGES TO ORIGINAL CABINETRY REQUIRED	

Sub Total
HST
Total

1. This Sales Selection Sheet when properly executed forms part of our Agreement of Purchase and Sale.
2. All extras and upgrades listed above are subject to Construction Progress and Architectural and Municipal requirements.
3. In the event the Vendor is unable to incorporate the work approved above in the construction of the house for any reason whatsoever, the Vendor will not be liable to the Purchaser in any way. The monies paid for any changes or optional extras not proceeded with shall be returned to the Purchaser, without interest. The cost of options or extras is non-refundable in all other circumstances. If for any reason whatsoever the Agreement of Purchase and Sale is not completed, the total cost of work approved above will be retained by the Vendor.
4. The Vendor reserves the right to substitute above materials and equipment with that of equal or better quality.
5. Purchaser acknowledges that items may not be exactly as shown. Variations from the Vendor's samples may occur in finished materials due to normal production processes. Vendor is not responsible for shade difference which may occur from different dye lots or wood grains. Variations from the Vendor's samples will occur with natural materials such as wood, marble, granite, hardwood and brick.
6. The Vendor reserves the right to select Grout & Thresholds that best suits the Tile selected.
7. Selections will not be processed unless signed by Heathwood Homes Head Office.
8. The selections made on this schedule are final and cannot be changed once submitted.
9. The Purchaser has checked and acknowledges the accuracy of this schedule.

Payment Summary	
Paid By	Amount
Total Payment:	

PURCHASER: Signature on file 26-Sep-23 SONIA SHARIF 26-Sep-23
 SAHIL RAINA by email DATE Decor Consultant DATE

-09- 26 2023
 Date Approved Heathwood Homes (Huron) Limited

TAX#:1
 PREPARED BY: Marilyn Rosen
 PE 1,561-1
 SInvoice.rpt 28may19

HOME APPLIANCES



LG REFRIGERATION

LRFXC2606S

26 cu. ft. Counter Depth MAX Refrigerator

Industry's Largest 26 cu. ft. Counter Depth Capacity

Dual Ice maker – Cubed and Crush

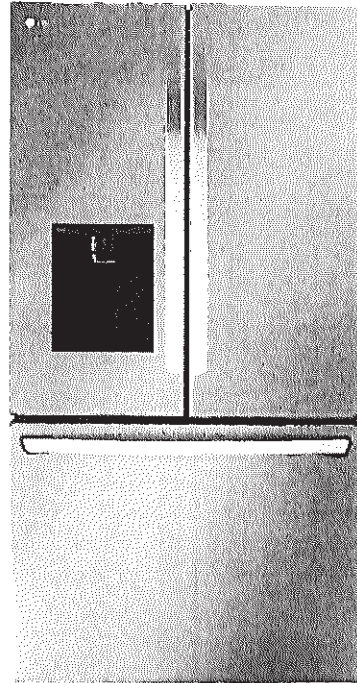
Cool Guard™

Door Cooling+

Flat Door Design with Handle

Smart Inverter

AVAILABLE COLORS



ThinQ Care

Proactive Smart Alerts to Keep Your Appliances Running Smoothly

- Preventative Alerts help you stay a step ahead of potential issues to find proactive solutions before problems arise.
- Avoid preventable repairs and service calls with real-time diagnostics for a hassle-free experience
- Integrated within LG's ThinQ app—a smart home hub for managing your smart devices and appliances

CAPACITY		REFRIGERATOR		DIMENSIONS/CLEARANCES/WEIGHTS	
Refrigerator (cu. ft.)	16.9 cu. ft.	No. of Shelves	4 split (4 Fixed)	Product (W x H x D)	35 3/4" x 70 1/4" x 31 5/8"
Freezer (cu. ft.)	8.6 cu. ft.	Shelf Construction	Spill Protector/Tempered Glass	Width	35 3/4"
Total Capacity (cu. ft.)	25.5 cu. ft.	Shelf Trim	White Décor	Height (to Top of Hinge)	70 1/4"
ENERGY		No. of Crisper Bins	2	Depth (with Handles)	31 5/8"
ENERGY STAR® Qualified	Yes	Pantry (Glide N Serve)	Yes (Normal)	Width (Door Open 90° without Handle)	40"
Energy Consumption (kWh/Year)	699	CoolGuard™	Yes	Width (Door Open 90° with Handle)	44 7/8"
WATER & ICE SYSTEM		Fresh Air Filter	Yes	Width (Door Fully Open without Handle)	56 3/4"
Ice & Water Dispenser	Yes	Light	Yes	Height (to Top of Case)	68 7/8"
In-door Ice maker	Yes (1)	REFRIGERATOR DOOR		Depth without Door	24 3/4"
In-door Ice maker Ice Type	Cubed / Crushed	No. of Bins	4 (Left Door), 4 (Right Door)	Depth without Handles	29 1/8"
In-door Ice maker Daily Production	3.0 / 3.3 (IcePlus) lbs.	Door Shape	Flat	Depth (to Hinge Cover)	18 1/4"
In-door Ice maker Storage Capacity	3.0 lbs.	Handle Type	Bar	Depth (Total with Door Open)	43 5/8"
No. Freezer Ice maker	Yes (1)	FREEZER		Depth (Draw Open Fully without Handle)	48 7/8"
Freezer Ice maker Ice Type	Cubed	Door Type	Pull Drawer	Installation Clearance	Sides 1/8", Top 1", Back 2"
Freezer Ice maker Daily Production	2.5 / 2.7 (IcePlus) lbs.	Handle Type	Smart Pull™ Handle	Carton Dimensions (WxHxD)	38" x 72" x 31"
Freezer Ice maker Storage Capacity	4.0 lbs.	Drawers / Shelves	2-Tier Organization	Weight (Unit/Carton)	291 lbs. / 313 lbs.
Ice Plus	Yes	Freezer Light	LED Lighting	LIMITED WARRANTY	
Filtration System	1 stage		No	Parts & Labor	1 Year
Filter	LT1000P	SMART TECHNOLOGY		Sealed System (Parts & Labor)	5 Years
COOLING		Smart Diagnostic	Yes	Compressor (Parts & Labor)	5 Years
Compressor Type	Smart Inverter	Wi-Fi	Yes	Linear Compressor (Parts & Labor)	6 - 10 Years
Evaporator	Yes (1)	ThinQ®	Yes	UPC CODES	
Multi Air Flow Cooling	Yes	ThinQ® Care	Yes	LRFXC2606S (PrintProof™ Stainless Steel)	195174057339
Temperature Sensors	2	MATERIALS AND FINISHES			
Refrigerant	Low GWP, Zero ODP and More Energy Efficient Refrigerant (R600a / 57g / 2.01oz)	Hidden Hinges	Yes		
CONVENIENCE		Surface	Smooth		
Display Type	Smooth Touch Control / White LED	Handles	Matching Commercial Handles		
Temperature Controls	Electronic/Digital	All Available Colors	PrintProof™ Stainless Steel		
Door Alarm	Yes	Insulation	Low GWP and Zero ODP		
Child Lock	Yes		Blowing Agent		
Auto Closing Door Hinge	Yes				
Decibel™ Quiet Operation	Yes				
Sabbath Mode	Yes				
ADA Compliant	Yes				

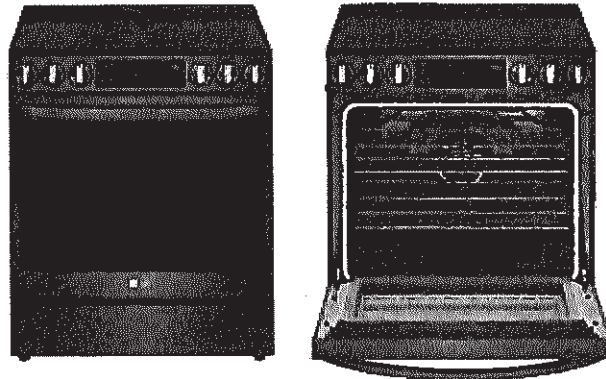
LSEL6335_

LG BUILDER

6.3 cu. ft. Electric Slide-in Range



- Built-in Air Fry
- InstaView™ Window
- ProBake Convection*
- EasyClean® + Self Clean
- Triple Element & Dual Element
- Slide-in Design
- 6.3 cu. ft. Large Capacity
- Storage Drawer
- LG ThinQ® Technology (Wi-Fi)



COLOR AVAILABILITY

- LSEL6335F – PrintProof™ Stainless Steel
- LSEL6335D – PrintProof™ Black Stainless Steel

CAPACITY

Oven Capacity	6.3 cu. ft.
Drawer Capacity	0.8 cu. ft.

OVEN FEATURES

Convection System	ProBake Convection*
Oven Cooking Modes	Bake, Convection Bake, Convection Roast, Broil High, Broil Low, Warm, Proof, Frozen Meal, Air Fry, Slow Cook
Infrared Heating™ System	No
Air Sous Vide	No
Built-in Air Fry	Yes (Air Fry Tray Included)
Temperature Probe	No
Oven Racks	2 Heavy Duty
Number of Rack Positions	7
Broil Element	4,200W / 6 Pass
Convection Element	2,500W
Convection Conversion	Yes
EasyClean®	Yes
Self Clean	Yes
GoCook Smart Oven Light	Yes (1)
Door Lock	Yes
Automatic Safety Shut-Off	After 12 Hours

DRAWER FEATURES

Type	Storage
------	---------

COOKTOP FEATURES

Cooktop Type	Radiant
Number of Elements	5
Element Size / Wattage	
Left Front	Dual 9" / 6" – 3,200W / 1,400W (UltraHeat™)
Left Rear	6" / 1,200W
Center	7" / 100W
Right Front	Triple 12" / 9" / 6" – 3,000W / 2,200W / 1,100W
Right Rear	6" / 1,200W
Hot Surface LED Indicator	Yes

CONTROLS

Cooktop Control Type	Front Tilt-Control Knobs
Oven Control Type	SmoothTouch™ Glass
Display	LED (White)
Language	English
Kitchen Timer	Yes
Timed Cook	Yes
Clock	12 Hr or 24 Hr (Option)
Temperature Unit of Measure	*F or *C
Cooking Complete Reminder Volume	High, Low, Off
Oven Control Lock	Yes

CONVENIENCE

ADA Compliant	Yes
Sabbath Mode	Yes (Star-K-Certified)

SMART FEATURES

Wi-Fi Enabled	Yes
ThinQ®	Yes
Proactive Customer Care	Yes
Voice Control	Amazon Alexa, Google Assistant
SmartDiagnosis™	Yes
Smart Recipe (3rd Party Recipe App)	Yes (Tovata, Innit, SideChef, Nestle and Kraft-Heinz)

LSEL6335_

LG BUILDER

FINISHES AND APPEARANCE

Fingerprint & Smudge Resistant Exterior	Yes
Cooktop Finish	Black Ceramic Glass w/Gray Pattern
Handle / Knobs	F - Stainless Steel Appearance D - Black Stainless Steel Appearance
Oven Door Feature	InstaView™ Window (WideView™)

TECHNICAL SPECS

Required Power Supply	120 / 208-240 V, 60 Hz, 3-Wire or 4-Wire
Minimum Circuit Rating	40 Amp
kW Rating at 208V	9.8 kW
kW Rating at 240V	13.0 kW
Power Cord	Not Included
Electrical Receptacle	4-Wire (14-50R) / 3-Wire (10-50R)
Power Outlet Location	See Installation Diagram

INCLUDED ACCESSORIES

2 Heavy Duty Racks, 1 Air Fry Tray, Rear Filler Kit, EasyClean® Kit (Spray Bottle & Scouring Pad), Cooktop Cleaner

OPTIONAL ACCESSORIES

Slide-in Range Filler Kit (Side Gaps)	LSFL301S
Air Fry Rack	LRAL302S

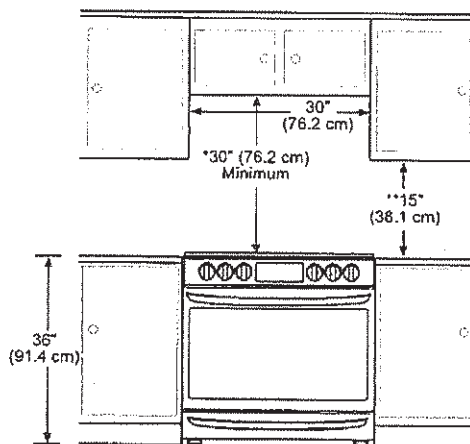
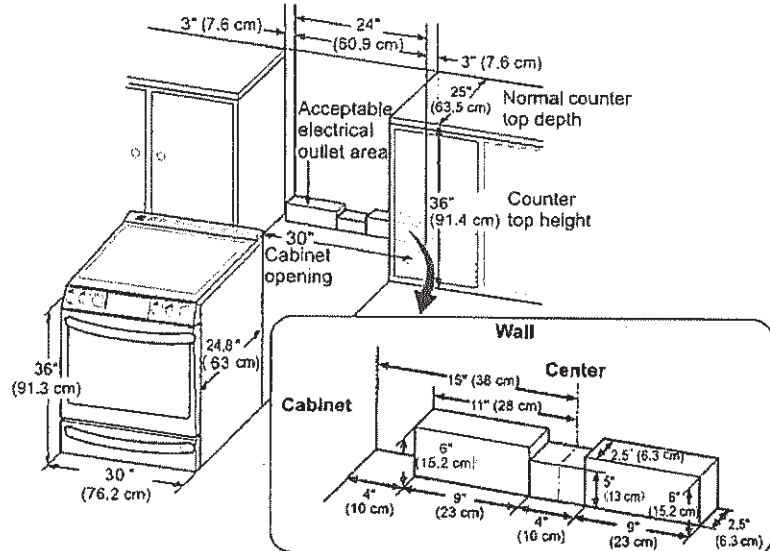
DIMENSIONS / CLEARANCES / WEIGHTS

Product Dimensions (W x H x D w/Handle)	29 7/8" x 36 1/2" x 29 9/32"
Product Height to Cooking Surface	36"
Cutout Dimensions (W x H x D)	30" x 36" x 25"
Carton Dimensions (W x H x D)	32 1/2" x 44" x 30 1/2"
Approx. Weight (Product / Carton)	221 lbs. / 161.7 lbs

LIMITED WARRANTY

Parts and Labor	1 Year
-----------------	--------

DIMENSIONS / CLEARANCES



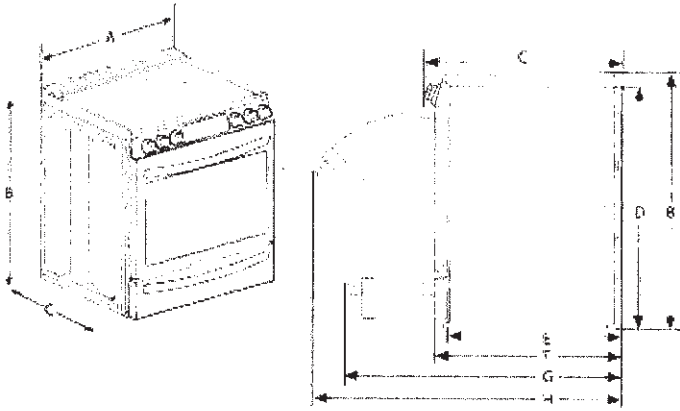
MINIMUM DIMENSIONS

*30" (76.2 cm) minimum clearance between the top of the cooking surface and the bottom of an unprotected wood or metal cabinet; or 24" (60.9 cm) minimum when bottom of wood or metal cabinet is protected by not less than 1/4" (6.4 cm) flame retardant millboard covered with not less than no. 28 MSG sheet steel, 0.015" (0.381 mm) stainless steel, 0.024" (0.610 mm) aluminum or 0.020" (0.508 mm) copper.
 **15" (38.1 cm) minimum between countertop and adjacent cabinet bottom.

LSEL6335_

LG BUILDER

DIMENSIONS / CLEARANCES



DIMENSIONS / CLEARANCES

A	Width	29 7/8" (758.8 mm)
B	Height	36 1/2" (927.9 mm)
C	Depth (Includes Door Handle)	29 9/32" (743.9 mm)
D	Height (Excludes Vent Trim)	36" (913.0 mm)
E	Depth (Includes only the product body that is loaded into the cabinet. Excludes door, drawer, and handles)	24 3/4" (629.4 mm)
F	Depth (Excludes Door Handle)	26 7/8" (683 mm)
G	Depth when drawer is fully opened	38 7/16" (976.7 mm)
		36 1/16" (916.2 mm) (Excludes handle)
H	Depth when door is fully opened	48 5/8" (1235.9 mm)



HOME APPLIANCES

LG DISHWASHERS

LDN4542_

Front Control Dishwasher with Quadwash™

QuadWash™ System

3rd Rack

15 Place Settings

EasyRack™ Plus

Dynamic Dry™

NeveRust™ Stainless Steel Tub

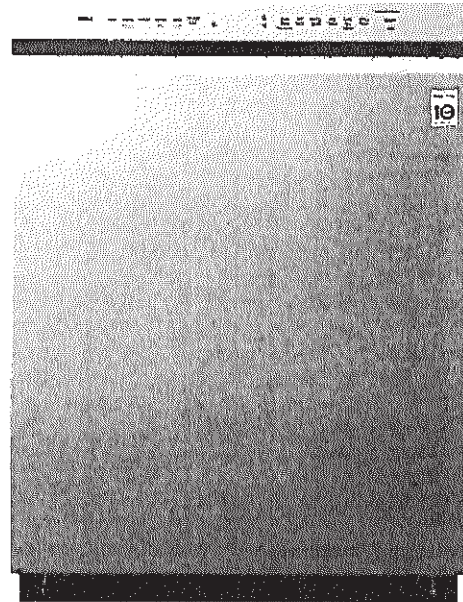
LoDecibel™ Operation (48 dB)

NFC Tag On Technology

NSF Certified

Available in PrintProof™ Black Stainless Steel, PrintProof™

Stainless Steel, black, and White



CAPACITY

Total Place Settings	15
Upper Rack Dish Height Limit	9.0"
Lower Rack Dish Height Limit	12.5"

RACKS AND BASKETS

Cutlery Baskets	Yes
Fold Down Tines	Yes (Half Fold on Upper & Half Fold on Lower)
BPA-Free Nylon Coated Racks and Tines	Yes
Rack Handle	Yes (Upper)
EasyRack™ Plus System	Yes
Height Adjustable Upper Rack	Yes
3rd Rack (Fixed)	Yes

STYLE AND DESIGN

Control Panel Location	Front Control
Electronic Controls	Fully Integrated Control Panel
Tub Material	NeveRust™ Stainless Steel
Handle	Pocket Handle
All Available Colors	PrintProof™ Stainless Steel, PrintProof™ Black Stainless Steel, White, Black
Fingerprint Resistant	Yes

FEATURES

QuadWash®	Yes
Inverter Direct Drive Motor	Yes
LoDecibel™ Quiet Operation	48dB(A)
Number of Wash Cycles	9 (Auto, Heavy, Delicate, Normal, Turbo, Download Cycle, Machine Clean, Rinse, Express)
Number of Options	8 (Dual Zone, Half Load, Energy Saver, High Temp, Extra Dry, Delay Start, Control Lock, Night Dry)
Number of Spray Arms	3 (Top, Upper, Lower)
SenseClean™ Wash System	Yes
VarioWash	Yes
Detergent and Rinse Aid Dispenser	Yes
Drying System	Dynamic Dry
End of Cycle Indicator	Yes (Beeper + END indication on display)
Hidden Water Heater	Yes
Safety Float Switch (Leaks)	Yes
Soil (Turbidity) Sensor	Yes
Tub Insulation (Damping Sheet, Sound Absorbing Material (felt), Base)	Yes
BPA-Free Nylon Coated Racks and Tines	Yes
Anti-Bacterial Treatment (Sump, Inner / Outer Filter, Drain pump case, Drain hose)	Yes
Balanced Door	Yes
3-Stage Filtration System	Yes

SMART FEATURES

NFC Tag On	Yes
------------	-----

CERTIFICATIONS

NSF® Certified	Yes
----------------	-----

POWER RATINGS

ENERGY STAR® Qualified	Yes
CEE Tier	1
Energy Use (kWh/Year)	25.8 kWh/Year
Water Factor (1/cF)	2.9

DIMENSIONS / CLEARANCES / WEIGHT

Product Dimensions (in) (W x H x D)	23 3/4" x 33 5/8" x 24 5/8"
Product Weight (lbs)	75 lbs
Depth with Door Closed with Handle (in)	24 5/8"
Depth with Door Open (in)	49 1/4"
Carton Dimensions (in) (W x H x D)	28" x 34 7/8" x 29 5/8"
Shipping Weight with Carton (lbs)	88.2 lbs

LIMITED WARRANTY

Labor	1 Year
Parts	1 Year
Control Board and Rack Parts	5 Years
Direct Drive Motor	10 Years
Stainless Steel Dorr Liner or Tub	Lifetime

UPC CODES

LDN4542S (PrintProof™ Stainless Steel)	048231341943
LDN4542D (PrintProof™ Black Stainless Steel)	048231342001
LDN4542B (Black)	048231341998
LDN4542W (White)	048231341981

HOME APPLIANCES

LG LAUNDRY

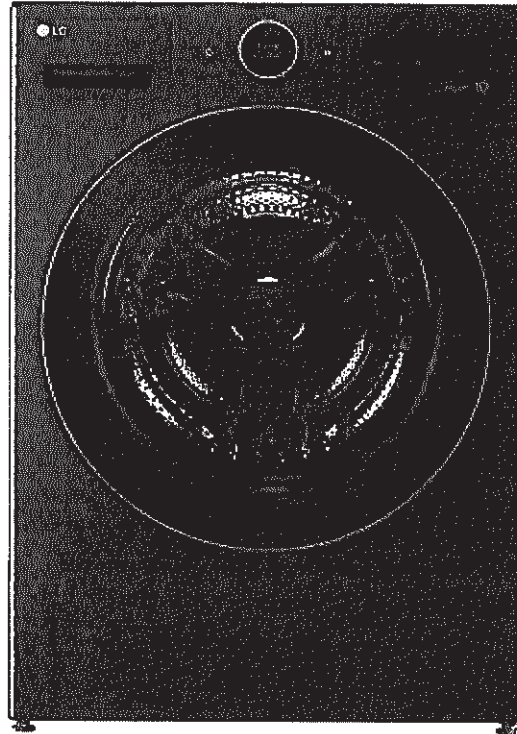
WM6500H

5.8 cu. ft. Mega Capacity Smart Front Load Energy Star Washer with TurboWash® 360° and AI DD® Built-In Intelligence

- 5.8 cu. ft. Mega Capacity
- Digital Dial Control with LCD Display & Touch Button Control Panel
- TurboWash® 360° Technology
- AI DD®: AI Fabric and Weight Sensors with Smart Pairing
- LG ThinQ® Technology
- Allergiene® Cycle
- Cold Wash Technology
- NeveRust® Stainless Steel Drum
- ENERGY STAR® Certified & ENERGY STAR Most Efficient
- Direct Drive Motor 10-Year Limited Warranty

AVAILABLE COLOURS

BLACK STEEL



Proactive Smart Alerts to Keep Your Appliances Running Smoothly

ThinQ Care

- Preventative Alerts help you stay a step ahead of potential issues to find proactive solutions before problems arise.
- Avoid preventable repairs and service calls with real-time diagnostics for a hassle-free experience.
- Integrated within LG's ThinQ app—a smart home hub for managing your smart devices and appliances.

SUMMARY

Type	Front Load Dryer
Capacity (cu. ft.)	5.8 cu. ft.
Matching Electric Dryer	DLEX6500B
Color	Black Steel (B)
APPEARANCE	
LCD Display	Yes
Touch Buttons	Yes
Dust-A-Cycle®	Yes
ENERGY	
ENERGY STAR® Most Efficient	Yes
ENERGY STAR® Certified	Yes
CEE Tier	Tier 2
IMEF	2.92
IWF	3.0
WASH PROGRAMS	
No. of Programs	25
Wash Programs	Normal, AI Wash, Bedding, Delicates, Towels, Quick Wash, Heavy Duty, Allergiene®, Perm. Press, Tub Clean, Bright Whites™, Sanitary, Rinse+Spin, Spin Only, Hand/Wool, Active Wear, Swimwear, Kids Wear®, Jeans, Dresses, Color Care, Sweat Stains, Small Load, Large Load, X Large Load
WASH OPTIONS	
No. of Options	15
Options	TurboWash®, Steam, Fresh Care, Pre-wash, Remote Start, Delay Wash, Wi-Fi, Add Item, Extra Rinse, Control Lock, Drum Light, ColdWash, Signal, Cycle List Edit, Cycle Optimization
WASH DETAILS	
No. of Wash/Rinse Temps	5
Wash/Rinse Temps	Ex., Hot, Hot, Warm, Cold, Tap Cold
No. of Spin Speeds	5

Spin Speeds	Ex., High, High, Medium, Low, No Spin
Max RPM	1300
Water Levels	Load Sensing
No. of Soil Levels	5
FABRIC CARE FEATURES	
AI DD®	Yes
TurboWash® 360° Technology	Yes
Steam Technology	Yes
Allergiene® Cycle	Yes
Sanitary Cycle	Yes
Cold Wash Option	Yes
CONVENIENCE FEATURES	
Vibration Sensing (Cabinet Vibration Sensor)	Yes
TrueBalance® Anti-Vibration System	Yes
4 Tray Dispenser	Prewash, Main Wash (with liquid detergent cup), Bleach, Fabric Softener
End of Cycle Signal	Yes
LoadSense	Yes
Control Lock	Yes
Auto Suds Removal	Yes
Leveling Legs	4 Adjustable Legs
Drum Light	Yes

ThinQ® TECHNOLOGY

Smart Diagnosis	Yes
Wi-Fi	Yes
Energy Monitoring	Yes
Tub Clean Coach	Yes
MOTOR AND AGITATOR	
Motor Type	Inverter Direct Drive Motor
Axis	Horizontal

MATERIALS AND FINISHES	
NeveRust® Stainless Steel Drum	Yes

Cabinet	Painted Steel (One unit)
Control Panel	Painted Steel
Top Plate	Glass / Shiny Rose Gold
Door / Rim	Glass / Shiny Rose Gold
Door Cover	Tempered Glass Door
All Available Colors	Black Steel (B)
CERTIFICATION	
Asthma Canada	Yes
POWER SOURCE	
Ratings	UL Listed
Electrical Requirements	120V, 10 Amps
Type	Electric
OPTIONS/ACCESSORIES	
Pedestal	WDP68
Pedestal (WxHxD)	27" x 13 5/8" x 25 3/8" (43 7/8" D with door open)
LG Sidekick™ Pedestal Washer	WD300CB
LG Sidekick™ Pedestal Washer (WxHxD)	27" x 14 1/8" x 30 3/4" (50 1/2" D with drawer open)
Stacking Kit	KSTR4
DIMENSIONS	
Product (WxHxD)	27" x 39" x 33 1/8"
Depth with Door Open	57 3/4"
Carton (WxHxD)	29 1/2" x 42 1/8" x 34 1/4"
Weight (Product/Carton)	202.6 / 216.5 lbs.
LIMITED WARRANTY	
Parts & Labor	1 Year
Drum	10 Years
Direct Drive Motor	10 Years
UPC CODES	
WM6500HBA (Black)	195174052921

HOME APPLIANCES

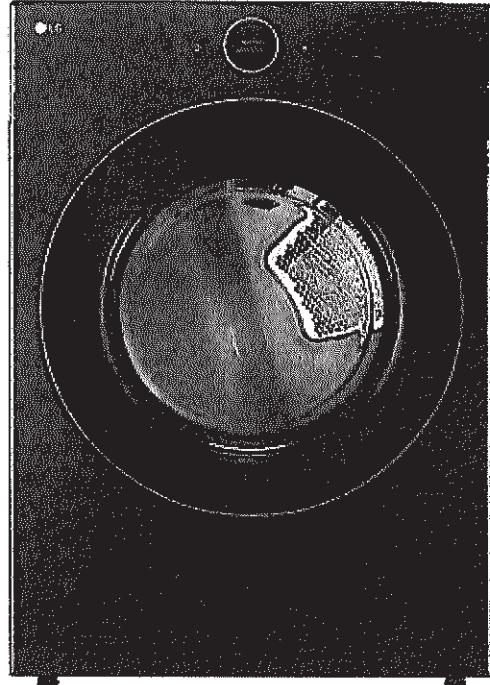


LG LAUNDRY

DLEX6500_ / DLGX6501_

7.4 cu. ft. Capacity Energy Star Smart Front Load Dryer with AI Sensor Dry & TurboSteam®

- 7.4 cu. ft. Ultra Large Capacity
- Digital Dial Control with LCD Display & Touch Button Control Panel
- AI Sensor Dry with Smart Pairing
- TurboSteam®, SteamFresh®, and SteamSanitary® Technology
- Wrinkle Care Option
- LG ThinQ® Technology with ThinQ Care
- FlowSense® Duct Clogging Indicator
- Tempered Glass Door (Reversible)
- NeveRust® Stainless Steel Drum
- ENERGY STAR® Certified



AVAILABLE COLORS



Proactive Smart Alerts to Keep Your Appliances Running Smoothly

ThinQ Care

- Preventative Alerts help you stay a step ahead of potential issues to find proactive solutions before problems arise.
- Avoid preventable repairs and service calls with real-time diagnostics for a hassle-free experience.
- Integrated within LG's ThinQ app—a smart home hub for managing your smart devices and appliances

SUMMARY

Type	Front Load Dryer
Vent Type	Vented
Dryer Type	Elec: DLEX6500B / DLEX6500W Gas: DLGX6501B / DLGX6501W
Capacity	7.4 cu. ft.
Matching Washer	WM6500HBA / WM6500HWA
Sensor Dry	Yes
Steam	Yes
Color	Black Steel (B), White (W)
APPEARANCE	
LCD Display	Yes
Touch Buttons	Yes
Dial-A-Cycle®	Yes
DRYER PROGRAMS	
No. of Programs	23
Programs (Sensor Dry)	Normal, AI Dry, Bedding, Delicates, Towels, Quick Dry, Timed Dry, Power Dry, Perm. Press, SteamFresh™, Heavy Duty, Air Dry, Steam Sanitary™, Super Dry, Active Wear, Denim → Jeans, Blanket Refresh, Low Temp Dry, Overnight Dry, Easy Ironing, Small Load, Large Load Dry, X Large Load Dry
No. of Options	11
Options	Cycle Optimization, Damp Dry Signal, Wrinkle Care, Control Lock, Wi-Fi, Energy Saver, TurboSteam® Reduce Static, Remote Start, Drum Light, Signal
Temperature Settings	High, Med., High, Medium, Low, Ultra Low
Drying Levels	Very Dry, More Dry, Normal Dry, Less Dry, Damp Dry
Manual Dry Times	10 min - 100 min (10 min incremental)

FABRIC CARE FEATURES

AI Sensor Dry	Yes
Sensor Dry	Yes
Precise Temperature Control with Variable Heater	Yes
Steam	TurboSteam®
CONVENIENCE FEATURES	
3 Minute Installation Check	Yes
End of Cycle Signal	Yes
Drum Light (Door Open)	Yes
Reversible Door	Yes
FlowSense® Duct Clogging Indicator	Yes
Wrinkle Care Option	Yes
Control Lock	Yes
Venting Option	Electric: 4 Way Venting / Gas: 3 Way Venting
4 Adjustable Legs	Yes
Remaining Time Display / Status Indicator(s)	Yes

ThinQ® TECHNOLOGY

Smart Diagnosis	Yes
Wi-Fi	Yes
ThinQ Care	Yes
Remote Start and Cycle Monitor	Yes
Energy Monitoring	Yes

ENERGY

ENERGY STAR® Certified	Yes
CEF	Electric: 3.84 / Gas: 3.49

MATERIALS AND FINISHES

NeveRust® Stainless Steel Drum	Yes
Cabinet	Painted Steel
Door	Tempered Glass Door
All Available Colors	Black Steel (B), White (W)

POWER SOURCE

Ratings	CSA Listed
Electrical Requirements	Elec: 120/240V, 60Hz, 26A / Gas: 120V, 60Hz, 11.5A
Type	Electric, Gas
BTU Rating	Gas: 20,000

OPTIONS

LP Conversion Kit	383EEL3002D
Side Venting Kit	3911EZ9131X
Drying Rack	3750EL0001A
Pedestal	WDP6B / WDP6W
Pedestal (WxHxD)	27" x 13 5/8" x 28" (43 7/8" D with door open)

DIMENSIONS

Product (WxHxD)	27" x 39" x 29 3/4"
Depth with Door Open	51 3/8"
Carton (WxHxD)	28 3/16" x 46 29/64" x 31 27/64"
Product Weight (lbs.)	Electric: 124.3 lbs. / Gas: 136.0 lbs.
Carton Weight (lbs.)	Electric: 136.5 lbs. / Gas: 146.6 lbs.

LIMITED WARRANTY

Parts & Labor	1 Year
Drum	3 Years

UPC CODES

DLEX6500B (Black)	195174052945
DLGX6501B (Black)	195174052969
DLEX6500W (White)	195174049075
DLGX6501W (White)	195174049535