

Sales Selection Sheet  
Checklist

1 of 56

LOT 691 Model: 30-2576 A OAKWOOD  
PURCHASERS: THIVAKE SIVAYOGARAJAH/  
VENDOR: Heathwood Homes (Whitby) Limited

WAFFLE CEILING IN GREAT ROOM  
EXTEND UPPER AND LOWER STOVE WALL CABINERY BY 5' +/-  
EXTEND KITCHEN ISLAND BY 2' +/- AND ROTATE ISLAND

- WOB
- DECK
- FINISHED BASEMENT
- COLD CELLAR

**UPGRADED / MODIFIED ELEVATION**

- CORNER UPGRADE
- REAR UPGRADE
- SIDE UPGRADE

**CEILING UPGRADE - SMOOTH**

- MAIN FLOOR (STD FOR SINGLES)
- SECOND FLOOR
- BASEMENT

**ADDITIONAL ROUGH-INS**

- 200 AMP SERVICE (STD 100AMP SINGLES)
- WET BAR ROUGH-IN
- HUMIDIFIER (STD FOR SINGLES)
- AIR CONDITIONING (SITE STD)

**GAS ROUGH-IN**

- STOVE
- DRYER
- BBQ
- ADDITIONAL FIREPLACE

**KITCHEN: HOODFAN VENTING SIZE**

- 6 IN ROUND DUCT (STD FOR SINGLES)
- 7 IN ROUND DUCT

FULL BASEMENT STAIRS:	All Oak
UPPER BASEMENT STAIRS:	N/A
LOWER LEVEL STAIRS:	N/A
MAIN STAIRS:	All Oak
MEDIA STAIRS (if applicable):	N/A
LOFT STAIRS (if applicable):	N/A

SEPT 9/22 \_\_\_\_\_  
Date Purchaser: *Signatures*

SEPT 9/22 \_\_\_\_\_ IRIT SALGM  
Date Decor Consultant:

SEPT 9/22 \_\_\_\_\_  
Date Purchaser: *on file*

~~IRIT~~  
-09- 09 2022 \_\_\_\_\_  
Date Heathwood Homes (Whitby) Limited

Locked Date:

Approved \_\_\_\_\_

**Customer Colours**

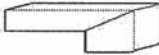

THIVAKE SIVAYOGARAJAH/  
 Project: Country Lane  
 Unit: 691, Phase: 6  
 Model: 30-2576 A OAKWOOD

Created: 11/20/22 13:44:33

Locked:

Closed:

**Kitchen/Breakfast**

Cabinet Colour/Style	9111	Viking III-SIMCOE ORCHID 3DL ***STD***	
Island Cabinet Colour/Style	8376	Viking III-MANCHESTER-OREGANO-MAPLE ***STD***	
Cabinet Hardware	9155	12805 MB BLACK-HARDWARE ***2***	
Countertop	7885	Group 6-Quartz- Caesarstone-FROSTY CARRINA # 5141-3/4 inch with built-up edge ***6***	
Island Countertop	7885	Group 6-Quartz- Caesarstone-FROSTY CARRINA # 5141-3/4 inch with built-up edge ***6***	
Countertop Edge	4005	DOUBLE MITRE 1 1/2 INCH ***UPG***	
Sink	9495	Blanco Kitchen Sink Quatrus U 1 3/4 #401244 (33" x 18") Undermount Large/Medium Bowl 9" Deep in Stainless Steel	PG 28
Crumb Vac Color	9483	Vacuum-Crumb Vac (Dust Pan)-Black	
HoodFan	8896	SCB51436-CYCLONE 36 inch STAINLESS CANOPY CHIMNEY HOODFAN-STAINLESS STEEL ***Upg***	PG 38-39
Backsplash	9472	KD.OC.WHT.2,5 X 10-Oceani Series-White Glossy-2,5 x 10 UPG 3 ***UPG***	
Backsplash Grout	2226	Grout-(00) White ***STD***	
Backsplash Tile Pattern	3100	HERRINGBONE ***UPG***	
Flooring	8496	Red Oak UVF-Vintage Red Oak Solid Sculpted Character UVF-SAND DUNE-3/4 inch X 5 inch ***9***	
Floor Tile Grout	1111	N/A *****	
Floor Tile Pattern	1111	N/A *****	

- Purchasers have been advised: standard fridge opening is a minimum 37 3/8 x 73 3/8 inches. Ice Waterline Rough-In is included.

- Standard stove opening is 30 inches and standard dishwasher opening is 24 inches. Any gas stove will require backsplash or stainless steel backing to avoid fire hazards.

- Purchasers acknowledge: Heathwood Homes and its contractors will not be responsible for any kitchen cabinet changes due to appliances dimension changes after sign-off.

Comment

**Servery**

Cabinet Colour/Style	9111	Viking III-SIMCOE ORCHID 3DL ***STD***
Cabinet Hardware	9155	12805 MB BLACK-HARDWARE ***2***
Opt. Cabinet Colour/Style - Uppers	9111	VIKING III SIMCOE ORCHID 3DL ***UPG***
Opt. Cabinet Hardware - Uppers	9155	12805 MB BLACK-HARDWARE ***2***

T.S

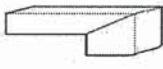

**Customer Colours**

THIVAKE SIVAYOGARAJAH/  
 Project: Country Lane  
 Unit: 691, Phase: 6  
 Model: 30-2576 A OAKWOOD

Created: 7/13/2022 13:14:33

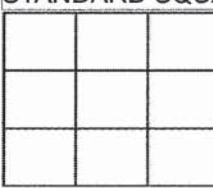
Locked:

Closed:

Opt. Cabinet Hardware - Uppers	9155	12005 MB BLACK-HARDWARE Z
Countertop	7885	Group 6-Quartz- Caesarstone-FROSTY CARRINA # 5141-3/4 inch with built-up edge ***6***
Countertop Edge	4005	DOUBLE MITRE 1 1/2 INCH ***UPG***
		
Opt. Sink	9513	Plumbing-KINDRED Servery Prep / Bar Sink Model KGS3U-8ON-Single Bowl Undermount Sink-Granite Onyx
Opt. Backsplash	9472	KD.OC.WHT.2,5 X 10-Oceani Series-White Glossy-2,5 x 10 UPG 3 ***UPG***
Opt. Backsplash Grout	2226	Grout-(00) White ***STD***
Opt. Backsplash Tile Pattern	3100	HERRINGBONE ***UPG***
		
Flooring	8496	Red Oak UVF-Vintage Red Oak Solid Sculpted Character UVF-SAND DUNE-3/4 inch X 5 inch ***g***
Floor Tile Grout	1111	N/A *****
Floor Tile Pattern	1111	N/A *****

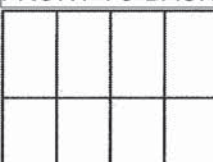
Comment

**Foyer**

Flooring	8248	OV.CX.WHT.2424.PL-Carrara X-White Polished-24 x 24 ***6***
Floor Tile Grout	7705	Grout-(01) Alabaster ***UPG***
Floor Tile Pattern	3000	STANDARD SQUARE ***STD***
		

Comment

**Powder Room**

Flooring	8913	UN.BL.BIA.1224-Biel-Bianco (White)-12 x 24 See Tile Direction on Sketch Page ***2***
Floor Tile Grout	7705	Grout-(01) Alabaster ***UPG***
Floor Tile Pattern	3040	FRONT TO BACK ***STD***
		

S 2

**Customer Colours**

THIVAKE SIVAYOGARAJAH/  
 Project: Country Lane  
 Unit: 691, Phase: 6  
 Model: 30-2576 A OAKWOOD

Locked:  
 Closed:

Plumbing Fixture (Colour)	1737	Plumbing Fixtures-WHITE ***STD***
Comment		

**Dining Room**

Flooring	8496	Red Oak UVF-Vintage Red Oak Solid Sculpted Character UVF-SAND DUNE-3/4 inch X 5 inch ***1***
Comment		

**Great Room**

Flooring	8496	Red Oak UVF-Vintage Red Oak Solid Sculpted Character UVF-SAND DUNE-3/4 inch X 5 inch ***1***
Comment		

**Great Room Fireplace**

Type	8869	Majestic MERC32 ***STD***
Mantle	1439	NF 17-Paint Grade Mantle-Flat Wall-WHITE ***STD***
Surround (STD)	8873	3 pc- 4 inch Marble Surround-Nero Marquina ***STD***

PG 27

- Purchasers have been advised: heat from the FP can damage TV above a FP and items placed on mantle.  
 - Heathwood and its contractors will not be liable for any damage on items placed/@installed above a FP after closing.

Comment		
---------	--	--

**Mud Room**

Flooring	8915	UN.BL.ATR.1224-Biel-Antracita (Dark Grey)-12 x 24 See Tile Direction on Sketch <sub>2</sub> Page ***2***								
Floor Tile Grout	7704	Grout-(19) Pearl Gray ***STD***								
Floor Tile Pattern	3050	SIDE TO SIDE ***STD***								
		<table border="1"> <tr><td></td><td></td></tr> <tr><td></td><td></td></tr> <tr><td></td><td></td></tr> <tr><td></td><td></td></tr> </table>								
Opt. Bench Cabinet Colour/Style	1111	N/A *****								
Opt. Bench Cabinet Hardware	1111	N/A *****								
Comment										

52

**Main Hall**

Flooring	8496	Red Oak UVF-Vintage Red Oak Solid Sculpted Character UVF-SAND DUNE-3/4 inch X 5 inch ***1***
Comment		

**Customer Colours**

THIVAKE SIVAYOGARAJAH/  
 Project: Country Lane  
 Unit: 691, Phase: 6  
 Model: 30-2576 A OAKWOOD

Created: 1/12/2022 13:44:33

Locked:

Closed:

**Upper Hall**

Flooring 8496 Red Oak UVF-Vintage Red Oak Solid Sculpted Character  
 UVF-SAND DUNE-3/4 inch X 5 inch \*\*\*1\*\*\*

Comment

**Master Bedroom**

Flooring 9246 DY 84558 -Dynasty Tex-BEACH SHELL-40 oz  
 Poly\*\*\*STD\*\*\*

Comment

**Bedroom 2**

Flooring 9246 DY 84558 -Dynasty Tex-BEACH SHELL-40 oz  
 Poly\*\*\*STD\*\*\*

Comment

**Bedroom 3**

Flooring 9246 DY 84558 -Dynasty Tex-BEACH SHELL-40 oz  
 Poly\*\*\*STD\*\*\*

Comment

**Bedroom 4**

Flooring 9246 DY 84558 -Dynasty Tex-BEACH SHELL-40 oz  
 Poly\*\*\*STD\*\*\*

Comment

**Master Ensuite**

Cabinet Colour/Style 9111 Viking III-SIMCOE ORCHID 3DL \*\*\*STD\*\*\*

Cabinet Hardware 7672 135-HARDWARE \*\*\*STD\*\*\*

Countertop 7672 P-344 LM INUKSHUK GREY COUNTERTOP  
 ARBORITE 8801

Countertop Edge 1111 N/A \*\*\*\*\*

Floor Tile 9255 TR.SP.WHITE.1313 SEMPRE White Matte 13 x 13  
 \*\*\*STD\*\*\*

Floor Tile Grout 7705 Grout-(01) Alabaster \*\*\*UPG\*\*\*

Floor Tile Grout 9999 STANDARD SQUARE \*\*\*STD\*\*\*

T.S

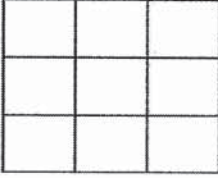
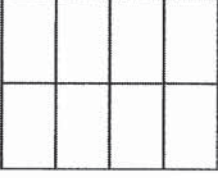
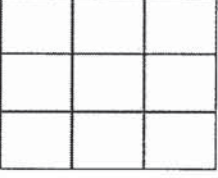
**Customer Colours**

THIVAKE SIVAYOGARAJAH/  
 Project: Country Lane  
 Unit: 691, Phase: 6  
 Model: 30-2576 A OAKWOOD

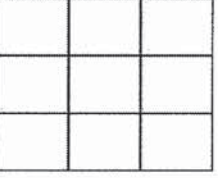

Created: 1/12/2022 13:44:33

Locked:

Closed:

Floor Tile Pattern	3000	STANDARD SQUARE ***STD***	
Shower Wall Tile	9022	QT.WV.TGR.0810-Weave-Tender Grey-8 x 10 ***STD***	
Shower Wall Tile Grout	7705	Grout-(01) Alabaster ***UPG***	
Shower Wall Tile Pattern	3090	VERTICAL STACKED ***STD***	
Shower Floor Tile	8664	OD.ON.TGR.0202.MT.N-Ontario Series Mosaic-Tender Grey Matte-2 x 2 ***1***	
Shower Floor Tile Grout	7705	Grout-(01) Alabaster ***UPG***	
Shower Floor Tile Pattern	3000	STANDARD SQUARE ***STD***	
Shower Jamb(s) and Sill(s)	8923	Shower Jamb / Sill-Thassos White ***STD***	
Plumbing Fixture (colour)	1737	Plumbing Fixtures-WHITE ***STD***	
Comment			

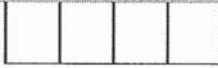
**Shared Ensuite**

Cabinet Colour/Style	9157	Viking III-SIMCOE-MOONLIGHT-3DL ***STD***	
Cabinet Hardware	2084	171-HARDWARE ***STD***	
Countertop	8822	4924-38-Countertop-WHITE CARRARA-Wilsonart ***STD***	
Countertop Edge	1111	N/A *****	
Floor Tile	9071	GE.BY.AZR.1313 New Byzantine Azzuro 13 x13 *** STD ***	
Floor Tile Grout	2225	Grout-(27) Silver ***STD***	
Floor Tile Pattern	3000	STANDARD SQUARE ***STD***	
Wall Tile	9020	QT.WV.WHT.0810-Weave-White-8 x 10 ***STD***	
Wall Tile Grout	2226	Grout-(00) White ***STD***	
Wall Tile Pattern	3090	VERTICAL STACKED ***STD***	

**Customer Colours**

THIVAKE SIVAYOGARAJAH/  
 Project: Country Lane  
 Unit: 691, Phase: 6  
 Model: 30-2576 A OAKWOOD

Created: 11/12/2022 13:44:33  
 Locked:  
 Closed:



Opt. Shower Floor Tile	1111	N/A *****
Opt. Shower Floor Tile Grout	1111	N/A *****
Opt. Shower Floor Tile Pattern	1111	N/A *****

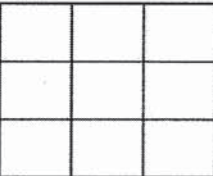
Opt. Shower Jamb(s) and Sill(s)	1111	N/A *****
Plumbing Fixture (colour)	1737	Plumbing Fixtures-WHITE ***STD***
Comment		

**Ensuite 4**

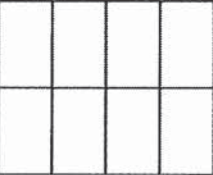
Cabinet Colour/Style	9111	Viking III-SIMCOE ORCHID 3DL ***STD***
Cabinet Hardware	2084	171-HARDWARE ***STD***

Countertop	2084	P-346 LM INUKSHUK CARBON ARBORITE 8799
Countertop Edge	1111	N/A *****

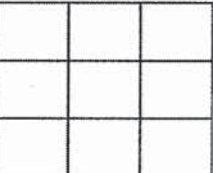
Floor Tile	5607	GE.SU.ATR.1313 Sauble Anthracite (Black) 13 x13 ***STD***
Floor Tile Grout	7704	Grout-(19) Pearl Gray ***STD***
Floor Tile Pattern	3000	STANDARD SQUARE ***STD***



Shower Wall Tile	5411	QT.SP.WHT.0810-Splendour-White-8 inch x 10 inch ***STD***
Shower Wall Tile Grout	2226	Grout-(00) White ***STD***
Shower Wall Tile Pattern	3090	VERTICAL STACKED ***STD***



Shower Floor Tile	8661	OD.ON.SWT.0202.MT.N-Ontario Series Mosaic-Snow White Matte-2 x 2 ***STD***
Shower Floor Tile Grout	2226	Grout-(00) White ***STD***
Shower Floor Tile Pattern	3000	STANDARD SQUARE ***STD***




**Customer Colours**

THIVAKE SIVAYOGARAJAH/  
 Project: Country Lane  
 Unit: 691, Phase: 6  
 Model: 30-2576 A OAKWOOD

Created: 1/19/2022 13:44:33

Locked:

Closed:

Shower Jamb(s) and Sill(s)	8923	Shower Jamb / Sill-Thassos White ***STD***
Plumbing Fixture (colour)	1737	Plumbing Fixtures-WHITE ***STD***
Comment		

**Laundry Room**

Flooring	5607	GE.SU.ATR.1313 Sauble Anthracite (Black) 13 x13 ***STD***									
Floor Tile Grout	7704	Grout-(19) Pearl Gray ***STD***									
Floor Tile Pattern	3000	STANDARD SQUARE ***STD***									
		<table border="1"> <tr><td></td><td></td><td></td></tr> <tr><td></td><td></td><td></td></tr> <tr><td></td><td></td><td></td></tr> </table>									
Opt. Cabinet Colour/Style - Uppers	1111	N/A *****									
Opt. Countertop	1111	N/A *****									
Opt. Cabinet Hardware - Uppers	1111	N/A *****									
Comment											

**Lower Level Recreation Room and Foyer**

Flooring	9246	DY 84558-Dynasty Tex-BEACH SHELL-40 oz Poly***STD***
Comment		

**Lower Level Bedroom**

Flooring	9246	DY 84558-Dynasty Tex-BEACH SHELL-40 oz Poly***STD***
Comment		

**Lower Level Bathroom**

Cabinet Colour/Style	9111	Viking III-SIMCOE ORCHID 3DL ***STD***			
Cabinet Hardware	2084	171-HARDWARE ***STD***			
Countertop	8822	4924-38-Countertop-WHITE CARRARA-Wilsonart ***STD***			
Countertop Edge	1111	N/A *****			
Floor Tile	5609	GE.SU.GRY.1313 Sauble Grey 13 x13 ***STD***			
Floor Tile Grout	7704	Grout-(19) Pearl Gray ***STD***			
Floor Tile Pattern	3000	STANDARD SQUARE ***STD***			
		<table border="1"> <tr><td></td><td></td><td></td></tr> </table>			



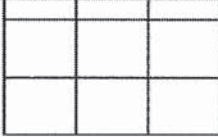
**Customer Colours**

THIVAKE SIVAYOGARAJAH/  
 Project: Country Lane  
 Unit: 691, Phase: 6  
 Model: 30-2576 A OAKWOOD

Created: 1/19/2022 13:44:33

Locked:

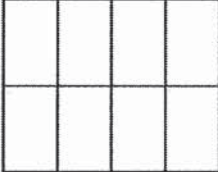
Closed:



Wall Tile 9020 QT.WV.WHT.0810-Weave-White-8 x 10 \*\*\*STD\*\*\*

Wall Tile Grout 2226 Grout-(00) White \*\*\*STD\*\*\*

Wall Tile Pattern 3090 VERTICAL STACKED \*\*\*STD\*\*\*



Opt. Shower Floor Tile 1111 N/A \*\*\*\*\*

Opt. Shower Floor Tile Grout 1111 N/A \*\*\*\*\*

Opt. Shower Floor Tile Pattern 1111 N/A \*\*\*\*\*

Opt. Shower Jamb(s) and Sill(s) 1111 N/A \*\*\*\*\*

Plumbing Fixture (colour) 1737 Plumbing Fixtures-WHITE \*\*\*STD\*\*\*

Comment

**Main Stairs**

Type 1712 Oak Stairs \*\*\*STD\*\*\*

Colour 7940 Sambucca STAIN TO COMPLIMENT HARDWOOD AND WILL VARY FROM FLOORING \*\*\*99\*\*\*

Handrail/Pickets/Posts Type 8148 Single Collar Alt. Plain w/ Shoes with 3 1/2" Square/Cap Post(s)-BLACK \*\*\*2\*\*\*

Handrail/Pickets/Posts Colour 7940 Sambucca STAIN TO COMPLIMENT HARDWOOD AND WILL VARY FROM FLOORING \*\*\*99\*\*\*

Custom Stain/Paint 1111 N/A \*\*\*\*\*

Landing(s) 8906 Red Oak-Vintage 5 inch Pre-Sanded Smooth Unfinished Red Oak-Unfinished-3/4 inch x 5 inch \*\*\*1\*\*\*

Opt. Carpet Runner 1111 N/A \*\*\*\*\*

Comment

**Lower Level Stairs**

Type 1712 Oak Stairs \*\*\*STD\*\*\*

Colour 7940 Sambucca STAIN TO COMPLIMENT HARDWOOD AND WILL VARY FROM FLOORING \*\*\*99\*\*\*

Handrail/Pickets/Posts Type 8148 Single Collar Alt. Plain w/ Shoes with 3 1/2" Square/Cap Post(s)-BLACK \*\*\*2\*\*\*

Handrail/Pickets/Posts Colour 7940 Sambucca STAIN TO COMPLIMENT HARDWOOD AND WILL VARY FROM FLOORING \*\*\*99\*\*\*

**Customer Colours**

THIVAKE SIVAYOGARAJAH/  
 Project: Country Lane  
 Unit: 691, Phase: 6  
 Model: 30-2576 A OAKWOOD

Created: 7/13/2022 13:14:33

Locked:

Closed:

Custom Stain/Paint	1111	N/A *****
Landing(s)	8906	Red Oak-Vintage 5 inch Pre-Sanded Smooth Unfinished Red Oak-Unfinished-3/4 inch x 5 inch ***1***
Opt. Carpet Runner	1111	N/A *****
Comment		

**Throughout**

Switches and Plug	5796	Decora White Switches and Plugs ***STD***
Thresholds	2232	Metal Thresholds ***STD***
Underpad	1079	500 Series-Underpad ***STD***
Trim Size	8704	5 1/4 inch Baseboard and 3 inch Integrated Backband Casings ***UPG*** / ***STD in Singles***
Trim - Paint Colour	1716	Trim-WHITE ***STD***
Walls - Paint Colour	1717	22-Wall-WARM GREY ***STD***
Comment		

Purchaser: Thivake Sivayogarah Aug 16/22 [Signature] Aug 16, 22  
 THIVAKE SIVAYOGARAJAH Date Decor Consultant Date

Purchaser: \_\_\_\_\_ Date [Signature] -09- 09 2022  
 Country Lane Date Approved



## CONSTRUCTION SUMMARY

**Lot: 691**  
**Model: 30-2576 A OAKWOOD**  
**Project/Phase: Country Lane / 6**

Offer Worksheet	Supply and Install Central Air Conditioning Note:
Offer Worksheet	Two Men and a Truck Credit of One Thousand Dollars (\$1000.00) for moving services only, Into your Heathwood Home (No Cash Value) The credit is non transferrable and cannot be combined with any other offer - singles Note:
Offer Worksheet	THIS IS A WALKOUT DECK CONDITION. Note:
Offer Worksheet	Classic Collection: Five Appliances: SS Fridge, Stove, Dishwasher: White Front Loader Washer/Dryer (Singles) Note:
Offer Worksheet	THIS IS A REAR UPGRADE. Note:
Offer Worksheet	The Purchaser(s) have been referred by VINOTHINI SIVAYOGARAJAH, Lot 247 Country Lane, 647-213-2045, and will receive \$500 towards Decor UPgrades (no cash value) and the Heathwood Homeowner that has referred the purchasers in this agreement noted here wi Note:
Offer Worksheet	ADDED BY AMENDMENT - THIS IS A WALK OUT BASEMENT Note:



## CONSTRUCTION SUMMARY

**Lot: 691**  
**Model: 30-2576 A OAKWOOD**  
**Project/Phase: Country Lane / 6**

### ADMIN FEE - REFERRAL

Invoice	Qty.	Description
---------	------	-------------

### APPLIANCES

Invoice	Qty.	Description
---------	------	-------------

1124 335,619 09Sep22 **	1	- GRANITE - GRANITE CUTOUT W/ STRAIGHT EDGE POLISH TO ACCOMMODATE COOK TOP
1124 335,496 09Sep22	-1	- APPLIANCES - CYCLONE 30 INCH WALL MOUNT CHIMNEY HOOD SS - SCB51430  <b>SEE UPGRADED 36 IN CHIMNEY SPECS</b>
1124 335,498 09Sep22	1	- APPLIANCES - CYCLONE 36 INCH WALL MOUNT CHIMNEY HOOD SS - SCB51436  <b>CABINETRY-delete stove uppers; ELECTRICAL-Notify; HEATING/AIR CONDITIONING-Duct Size remains 6</b>

### CABINETRY

Invoice	Qty.	Description
---------	------	-------------

1124 336,004 09Sep22	1	KITCHEN - CABINETRY-L01-PER KITCHEN Two-tone colour/style selection for island (must be of equal or lower level to main selection) VIKING
1124 335,919 09Sep22	5	KITCHEN - CABINETRY-B01-Base cabinet per foot VIKING  EXTEND CABINET (STOVE SIDE WALL) 5' SKETCH # 2 AND 3
1124 335,931 09Sep22	2	KITCHEN - CABINETRY-B21-Base island with panel per foot VIKING  EXTEND ISLAND (2') SKETCH # 2 AND 3
1124 335,901 09Sep22	5	KITCHEN - CABINETRY-A02-Extended upper cabinet per foot (90cm & 100cm tall) VIKING  TO BE ON THE STOVE SIDE WALL 5" SKETCH # 2 AND 3 <b>DRYWALL-Notify; FRAMING-Modify Bulkhead; PAINTING-Notify</b>
1124 335,749 09Sep22 **	1	- PLUMBING - KITCHEN SINK UPGRADE - BLANCO KITCHEN SINK QUATRUS U 1 3/4 #401244 (33 INCH X 18 INCH ) UNDERMOUNT LARGE/MEDIUM BOWL 9 INCH DEEP IN STAINLESS STEEL -  <b>CABINETRY-upgraded kitchen sink; GRANITE-upgraded kitchen sink</b>
1124 335,619 09Sep22 **	1	- GRANITE - GRANITE CUTOUT W/ STRAIGHT EDGE POLISH TO ACCOMMODATE COOK TOP
1124 337,057 09Sep22	1	Servery - Cabinetry - VIKING II/III - Opt. Servery Uppers - UPG  SKETCH # 2 AND 3
1124 337,059 09Sep22	1	KITCHEN - Cabinetry - VIKING II/III - Opt. Built-Ins - UPG  SKETCH # 3 <b>DRYWAL-Notify; FRAMING-Modify Bulkhead; GRANITE-delete partial countertop due to Built-in; PAINTING-</b>



## CONSTRUCTION SUMMARY

**Lot: 691**  
**Model: 30-2576 A OAKWOOD**  
**Project/Phase: Country Lane / 6**

### CABINETRY

Invoice	Qty.	Description
1124 335,924 09Sep22	2	KITCHEN - CABINETRY-B10-Pots and pans (3) drawers (width min. 60cm/max. 90cm) (size subject to floor plan) VIKING  INCL. SOFT CLOSE SKETCH # 3
1124 335,496 09Sep22 **	-1	- APPLIANCES - CYCLONE 30 INCH WALL MOUNT CHIMNEY HOOD SS - SCB51430  <b>SEE UPGRADED 36 IN CHIMNEY SPECS</b>
1124 335,498 09Sep22 **	1	- APPLIANCES - CYCLONE 36 INCH WALL MOUNT CHIMNEY HOOD SS - SCB51436  <b>CABINETRY-delete stove uppers; ELECTRICAL-Notify; HEATING/AIR CONDITIONING-Duct Size remains 6</b>
1124 335,928 09Sep22	1	KITCHEN - CABINETRY-B18-PER UNIT 60cm wide pull-out door base cabinet waste/recycle centre with soft-close ([4] bins total, including [2] 35L) (available only with 60cm wide cabinet) VIKING  NO TOP DRAWER SKETCH # 3 AND 6
1124 335,716 09Sep22 **	1	- PLUMBING - BAR SINK - COMPLETE BAR SINK FOR SERVERY INCLUDES PLUMBING ROUGH-IN AND MOEN ALIGN BAR PREP FAUCET (MODEL: 5965) AND REGINOX NS1813U/7 UNDERMOUNT SINK (INCLUDING GRANITE SINK CUTOUT/POLISH) -  <b>CABINETRY-Complete Bar Sink for Servery; GRANITE-see specs to accommodate undermount bar sink</b>
1124 09Sep22 NoCat	1	KITCHEN/BREAKFAST -  ROTATE ISLAND  SINK TO BE BETWEEN DISH WASHER AND WASTE BINS - MAKE THE SINK ACROSS THE STOVE AS POSSIBLE  EXTEND ISLAND 2" (SEE SEPERATE CHARGE)  EXTEND UPPER AND LOWER CABINET 5 ' ' (SEE SEPERATE CHARGE)  RELOCATE STD. PANTRY AND CABINET  SEE SKETCH # 3
1124 335,908 09Sep22	2	SERVERY ONLY - CABINETRY-A22-Glass door (each) (clear glass) (unfinished cabinet interior) (not available in some laminates) VIKING  TO BE INSTALLED IN THE 2 CENTER CABINET SEE SKETCH # 3
1124 335,921 09Sep22	3	KITCHEN - CABINETRY-B07-Top drawer price (per drawer) (Metabox standard levels 1-7, soft-close Tandembox standard levels 8-13) VIKING  TO BE USED FOR THE EXTENDED CABINETS TOWARDS THE SLIDING DOOR SEE SKETCH # 2 AND 3
1124 342,581 09Sep22	3	KITCHEN - CABINETRY-B08-Upgrade levels 1-4, 5-7 drawers from Metabox to soft-close Tandembox drawers per drawer (appliance cabinets may also have drawers to be counted; pull-outs and all drawers in the room must be counted and upgraded) VIKING  TO BE USED FOR THE EXTENDED CABINETS TOWARDS THE SLIDING DOOR (5') SKETCH # 2 AND 3
1124 336,291 09Sep22 **	1	Kitchen/Servery/Breakfast - Hardwood - 5 in Vintage Sculpted NSS Red Oak UVF-Oil or Pearl - Kitchen/Servery/Breakfast - UPG  <b>CABINETRY-Raise Cabinet; CERAMICS-Delete Std Ceramics</b>
1124 335,965 09Sep22	1	- CABINETRY-G02-Upgrade hardware for kitchen in a SINGLE or DETACHED model (stacked upper hardware is an additional charge see line G04 if applicable) VIKING



## CONSTRUCTION SUMMARY

**Lot: 691**  
**Model: 30-2576 A OAKWOOD**  
**Project/Phase: Country Lane / 6**

### CABINETRY

Invoice	Qty.	Description
1124 336,003 09Sep22	2	KITCHEN - CABINETRY-K12-EACH Decorative post for deep island or peninsula Windsor, (available in oak, maple, and paint) (laminates available only in York style) (66cm - 120cm deep) VIKING- WINDSOR POSTS  SEE SKETCH # 3 AND 5
1432 342,581 26Jun23	3	- CABINETRY-B08-Upgrade levels 1-4, 5-7 drawers from Metabox to soft-close Tandembox drawers per drawer (appliance cabinets may also have drawers to be counted; pull-outs and all drawers in the room must be counted and upgraded) VIKING  <b>for built-in drawers</b>
1432 335,930 26Jun23	2	- CABINETRY-B20-Base cabinet 30cm (12") deep price per foot (to fill in under flush breakfast bar) (includes side panels) VIKING  <b>extend 3 ft deep island for 2 ft (total of 9 ft)</b>



## CONSTRUCTION SUMMARY

**Lot: 691**  
**Model: 30-2576 A OAKWOOD**  
**Project/Phase: Country Lane / 6**

### CERAMICS

Invoice	Qty.	Description
1124 340,721 09Sep22	1	Kit. Backsplash - Ceramics - Upgrade 3 Tile - Kit. Backsplash - UPG (Includes Area Behind Chimney)
1124 340,817 09Sep22	1	Kit. Backsplash - Ceramics - Install in Specified Pattern - Kit. Backsplash - UPG (Includes Area Behind Chimney)  VERTICAL HERRINGBONE PATTERN
1124 342,604 09Sep22	1	SERVERY ONLY - Ceramics - Upgrade 3 Tile - Optional Servery Backsplash - UPG
1124 342,601 09Sep22	1	SERVERY ONLY - Ceramics - Install in Specified Pattern - Optional Servery Backsplash - UPG  VERTICAL HERRINGBONE PATTERN
1124 340,778 09Sep22	1	Foyer Floor - Ceramics - Upgrade 6 Tile - Foyer Floor - UPG
1124 340,706 09Sep22	1	Powder Room Floor - Ceramics - Upgrade 2 Tile - Powder Room Floor - UPG  SKETCH # 2 FOR TILE DIRECTION
1124  09Sep22 NoCat	1	KITCHEN/BREAKFAST -  EXTEND CERAMIC BACKSPLASH INCL. PATTERN (5') SKETCH # 3
1124 340,810 09Sep22	1	Foyer Floor - Ceramics - Upgrade Grout - Foyer Floor - UPG
1124 340,802 09Sep22	1	Powder Room Floor - Ceramics - Upgrade Grout - Powder Room Floor - UPG
1124 336,291 09Sep22 **	1	Kitchen/Servery/Breakfast - Hardwood - 5 in Vintage Sculpted NSS Red Oak UVF-Oil or Pearl - Kitchen/Servery/Breakfast - UPG  <b>CABINETRY-Raise Cabinet; CERAMICS-Delete Std Ceramics</b>
1124 340,714 09Sep22	1	MUD ROOM - Ceramics - Upgrade 2 Tile - Mud Room Floor - UPG  SKETCH # 2 FOR TILE DIRECTION
1124 340,804 09Sep22	1	Master Ensuite Shower Floor - Ceramics - Upgrade Grout - Master Ensuite Shower Floor - UPG
1124 340,803 09Sep22	1	Master Ensuite Shower Wall - Ceramics - Upgrade Grout - Master Ensuite Shower Wall - UPG



## CONSTRUCTION SUMMARY

**Lot: 691**  
**Model: 30-2576 A OAKWOOD**  
**Project/Phase: Country Lane / 6**

### CERAMICS

Invoice	Qty.	Description
1124 340,805 09Sep22	1	Master Ensuite Floor - Ceramics - Upgrade Grout - Master Ensuite Floor - UPG
1124 340,692 09Sep22	1	Master Ensuite Shower Floor - Ceramics - Upgrade 1 Tile - Master Ensuite Shower Floor - UPG

### DRYWALL

Invoice	Qty.	Description
1124 335,901 09Sep22 **	5	KITCHEN - CABINetry-A02-Extended upper cabinet per foot (90cm & 100cm tall) VIKING  TO BE ON THE STOVE SIDE WALL 5" SKETCH # 2 AND 3 <b>DRYWALL-Notify; FRAMING-Modify Bulkhead; PAINTING-Notify</b>
1124 337,059 09Sep22 **	1	KITCHEN - Cabinetry - VIKING II/III - Opt. Built-Ins - UPG  SKETCH # 3 <b>DRYWAL-Notify; FRAMING-Modify Bulkhead; GRANITE-delete partial countertop due to Built-in; PAINTING-</b>





## CONSTRUCTION SUMMARY

**Lot: 691**  
**Model: 30-2576 A OAKWOOD**  
**Project/Phase: Country Lane / 6**

### ELECTRICAL

Invoice	Qty.	Description
1124 335,619 09Sep22 **	1	- GRANITE - GRANITE CUTOUT W/ STRAIGHT EDGE POLISH TO ACCOMMODATE COOK TOP
09Sep22 NoCat	0	THROUGHOUT - ELECTRICAL - POTLIGHT BUNDLE - 20X T477GR-W 4 INCH LINE VOLTAGE POTLIGHTS INCLUDES 4 SWITCHES MAIN FLOOR (SEE SLIM LINE FOR BASEMENT)  4X KITCHEN -USE KITCHEN STD. SWITCH ( (RELOCATE STD. KITCHEN LIGHT) 3X BREAKFAST ROOM - USE SEPARATE SWITCH (RELOCATE BREAKFAST ROOM LIGHT) 6X GREAT ROOM- USE EXISTING SWITCH PLUG 1X SERVERY - USE EXISTING SWITCH - RELOCATE STD. LIGHT 1X MUD ROOM - USE EXISTING SWITCH 4 MAIN HALL - USE STD 3 WAY SWITCH - DELETE STD. LIGHTS 1X UPPER BASEMENT LANDING - USE SEPARATE SWITCH SEE SKETCH # 1 AND 2
1124 335,588 09Sep22	4	KITCHEN - ELECTRICAL - RELOCATION OF SWITCHES/LIGHTS (MUST SPECIFY LOCATION) - NOTE: PLUGS CANNOT BE RELOCATED- MUST PURCHASE ADDITIONAL OUTLET.  RELOCATE STD. KITCHEN , BREAKFAST AND SERVERY LIGHT TO BE ABOVE THE ISLAND USE STD. KITCHEN SWITCH RELOCATE STD. STOVE 240V TO WALL OVEN LOCATION SEE SKETCH # 3
1124 335,586 09Sep22	1	UPPER HALL - ELECTRICAL - REINFORCE CELING BOX TO HOLD A LIGHT FIXTURE UP TO 75LBS  TO BE USED FOR THE UPPER HALL WAY LIGHT ABOVE STAIRS OPENING SEE SKETCH # 4
1124 335,578 09Sep22	1	GREAT ROOM - ELECTRICAL - EXTRA WALL INTERIOR OUTLET ON EXISTING CIRCUIT (DOES NOT INCLUDE KITCHEN OUTLETS)  TO BE INSTALLED ABOVE THE CENTRE OF FIRE PLACE 70"-+ FROM FLOOR SEE SKETCH # 2
1124 335,496 09Sep22 **	-1	- APPLIANCES - CYCLONE 30 INCH WALL MOUNT CHIMNEY HOOD SS - SCB51430  <b>SEE UPGRADED 36 IN CHIMNEY SPECS</b>
1124 335,498 09Sep22 **	1	- APPLIANCES - CYCLONE 36 INCH WALL MOUNT CHIMNEY HOOD SS - SCB51436  <b>CABINENTRY-delete stove uppers; ELECTRICAL-Notify; HEATING/AIR CONDITIONING-Duct Size remains 6</b>
1124 335,683 09Sep22 **	1	- HEATING/AIR - ROUGH-IN GAS LINE FOR GAS STOVE AT MAIN FLOOR (SEE SPECS) (HOOK-UP NOT INCLUDED) LEAVE STANDARD 120 VOLT ELECTRICAL OUTLET ON A SEPARATE CIRCUIT. * STANDARD 220V WILL BE RELOCATED TO BUILT-IN MICRO/OVEN LOCATION SKETCH # 3 <b>ELECTRICAL-Notify</b>



## CONSTRUCTION SUMMARY

**Lot: 691**  
**Model: 30-2576 A OAKWOOD**  
**Project/Phase: Country Lane / 6**

### FRAMING

Invoice	Qty.	Description
1124 335,901 09Sep22 **	5	KITCHEN - CABINETY-A02-Extended upper cabinet per foot (90cm & 100cm tall) VIKING  TO BE ON THE STOVE SIDE WALL 5" SKETCH # 2 AND 3 <b>DRYWAL-Notify; FRAMING-Modify Bulkhead; PAINTING-Notify</b>
1124 338,725 09Sep22 **	1	GREAT ROOM - Waffle Ceiling - Install Waffle Ceiling. Coffered ceiling is standard - GREAT ROOM - UPG  SKETCH # 2 <b>FRAMING-std Coffered Ceiling to accommodate Waffle; PAINTING-Paint mouldings (waffle) in Great Room</b>
1124 337,059 09Sep22 **	1	KITCHEN - Cabinetry - VIKING II/III - Opt. Built-Ins - UPG  SKETCH # 3 <b>DRYWAL-Notify; FRAMING-Modify Bulkhead; GRANITE-delete partial countertop due to Built-in; PAINTING-</b>

### GRANITE

Invoice	Qty.	Description
1124 335,610 09Sep22	8	KITCHEN - GRANITE - ADDITIONAL COUNTERTOP PER SQ.FT. - UPGRADE 6  TO BE USED FOR THE EXTENDED ISLAND 2' X 4' WIDE
1124 335,749 09Sep22 **	1	- PLUMBING - KITCHEN SINK UPGRADE - BLANCO KITCHEN SINK QUATRUS U 1 3/4 #401244 (33 INCH X 18 INCH ) UNDERMOUNT LARGE/MEDIUM BOWL 9 INCH DEEP IN STAINLESS STEEL -  <b>CABINETY-upgraded kitchen sink; GRANITE-upgraded kitchen sink</b>
1124 335,619 09Sep22	1	- GRANITE - GRANITE CUTOUT W/ STRAIGHT EDGE POLISH TO ACCOMMODATE COOK TOP
1124 338,354 09Sep22	1	Kitchen/Servery - Granite - Countertop - 3/4" GROUP 6 with double edge - Kitchen/Servery - UPG
1124 335,610 09Sep22	10	KITCHEN - GRANITE - ADDITIONAL COUNTERTOP PER SQ.FT. - UPGRADE 6  TO EXTEND CABINETS TOWARDS THE END OF KITCHEN - 5' X 2' WIDE
1124 337,059 09Sep22 **	1	KITCHEN - Cabinetry - VIKING II/III - Opt. Built-Ins - UPG  SKETCH # 3 <b>DRYWAL-Notify; FRAMING-Modify Bulkhead; GRANITE-delete partial countertop due to Built-in; PAINTING-</b>
1124 335,716 09Sep22 **	1	- PLUMBING - BAR SINK - COMPLETE BAR SINK FOR SERVERY INCLUDES PLUMBING ROUGH-IN AND MOEN ALIGN BAR PREP FAUCET (MODEL: 5965) AND REGINOX NS1813U/7 UNDERMOUNT SINK (INCLUDING GRANITE SINK CUTOUT/POLISH) -  <b>CABINETY-Complete Bar Sink for Servery; GRANITE-see specs to accommodate undermount bar sink</b>



## CONSTRUCTION SUMMARY

**Lot: 691**  
**Model: 30-2576 A OAKWOOD**  
**Project/Phase: Country Lane / 6**

### HARDWOOD

Invoice	Qty.	Description
1124 336,291 09Sep22	1	Kitchen/Servery/Breakfast - Hardwood - 5 in Vintage Sculpted NSS Red Oak UVF-Oil or Pearl - Kitchen/Servery/Breakfast - UPG  <b>CABINETRY-Raise Cabinet; CERAMICS-Delete Std Ceramics</b>
1124 335,692 09Sep22 **	3	- PAINT - STAIN STAIR LANDING IN SAMBUCCA. LANDING UNDER 25 SQ.FT. EACH  <b>HARDWOOD-Supply and Install smooth UNFINISHED pre-sanded red oak at stair landing(s)</b>

### HEATING / AIR CONDITIONING

Invoice	Qty.	Description
1124 335,496 09Sep22 **	-1	- APPLIANCES - CYCLONE 30 INCH WALL MOUNT CHIMNEY HOOD SS - SCB51430  <b>SEE UPGRADED 36 IN CHIMNEY SPECS</b>
1124 335,498 09Sep22 **	1	- APPLIANCES - CYCLONE 36 INCH WALL MOUNT CHIMNEY HOOD SS - SCB51436  <b>CABINETRY-delete stove uppers; ELECTRICAL-Notify; HEATING/AIR CONDITIONING-Duct Size remains 6</b>
1124 335,683 09Sep22	1	- HEATING/AIR - ROUGH-IN GAS LINE FOR GAS STOVE AT MAIN FLOOR (SEE SPECS) (HOOK-UP NOT INCLUDED) LEAVE STANDARD 120 VOLT ELECTRICAL OUTLET ON A SEPARATE CIRCUIT. * STANDARD 220V WILL BE RELOCATED TO BUILT-IN MICRO/OVEN LOCATION SKETCH # 3 <b>ELECTRICAL-Notify</b>

### PAINTING

Invoice	Qty.	Description
1124 335,901 09Sep22 **	5	KITCHEN - CABINETRY-A02-Extended upper cabinet per foot (90cm & 100cm tall) VIKING  TO BE ON THE STOVE SIDE WALL 5" SKETCH # 2 AND 3 <b>DRYWALL-Notify; FRAMING-Modify Bulkhead; PAINTING-Notify</b>
1124 338,725 09Sep22 **	1	GREAT ROOM - Waffle Ceiling - Install Waffle Ceiling. Coffered ceiling is standard - GREAT ROOM - UPG  SKETCH # 2 <b>FRAMING-std Coffered Ceiling to accommodate Waffle; PAINTING-Paint mouldings (waffle) in Great Room</b>
1124 337,059 09Sep22 **	1	KITCHEN - Cabinetry - VIKING II/III - Opt. Built-Ins - UPG  SKETCH # 3 <b>DRYWAL-Notify; FRAMING-Modify Bulkhead; GRANITE-delete partial countertop due to Built-in; PAINTING-</b>
1124 335,692 09Sep22	3	- PAINT - STAIN STAIR LANDING IN SAMBUCCA. LANDING UNDER 25 SQ.FT. EACH  <b>HARDWOOD-Supply and Install smooth UNFINISHED pre-sanded red oak at stair landing(s)</b>



## CONSTRUCTION SUMMARY

**Lot: 691**  
**Model: 30-2576 A OAKWOOD**  
**Project/Phase: Country Lane / 6**

### PLUMBING

Invoice	Qty.	Description
1124 335,749 09Sep22	1	- PLUMBING - KITCHEN SINK UPGRADE - BLANCO KITCHEN SINK QUATRUS U 1 3/4 #401244 (33 INCH X 18 INCH ) UNDERMOUNT LARGE/MEDIUM BOWL 9 INCH DEEP IN STAINLESS STEEL -  <b>CABINETRY-upgraded kitchen sink; GRANITE-upgraded kitchen sink</b>
1124 335,716 09Sep22	1	- PLUMBING - BAR SINK - COMPLETE BAR SINK FOR SERVERY INCLUDES PLUMBING ROUGH-IN AND MOEN ALIGN BAR PREP FAUCET (MODEL: 5965) AND REGINOX NS1813U/7 UNDERMOUNT SINK (INCLUDING GRANITE SINK CUTOUT/POLISH) -  <b>CABINETRY-Complete Bar Sink for Servery; GRANITE-see specs to accommodate undermount bar sink</b>

### STRUCTURED WIRING

Invoice	Qty.	Description
1124 335,889 09Sep22	1	GREAT ROOM - STRUCTURED WIRING - RELOCATION OF TV  RELOCATE STD. R/I CABLE TO BE ABOVE THE CENTRE OF FIRE PLACE 70" -+ FROM FLOOR SEE SKETCH # 2

### WAFFLE CEILING

Invoice	Qty.	Description
1124 338,725 09Sep22	1	GREAT ROOM - Waffle Ceiling - Install Waffle Ceiling. Coffered ceiling is standard - GREAT ROOM - UPG  SKETCH # 2 <b>FRAMING-std Coffered Ceiling to accommodate Waffle; PAINTING-Paint mouldings (waffle) in Great Room</b>

## The Oakwood

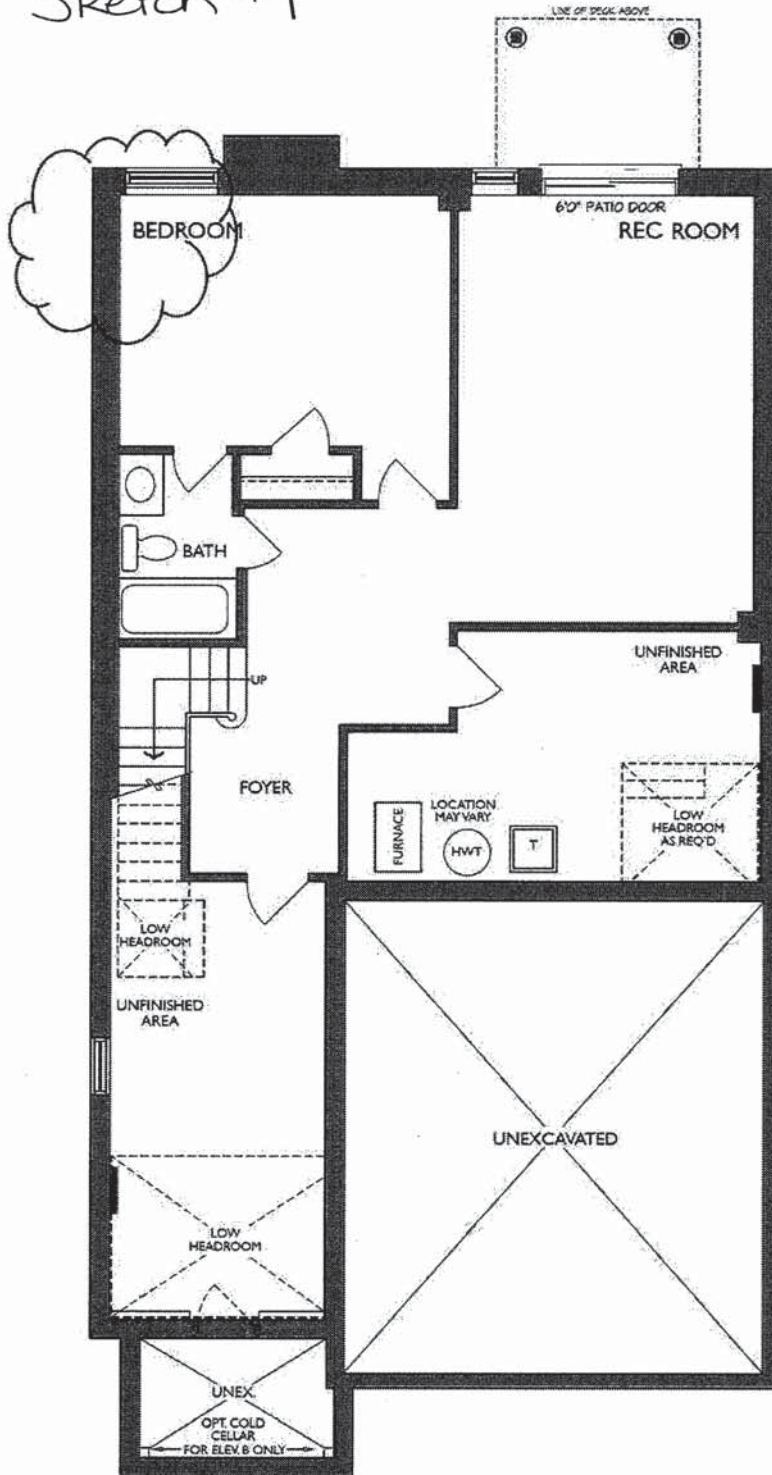
ELEVATION A: 3,275 SQ. FT.

[ Includes 699 sq. ft. of finished Lower Level ]

### THE TRAILS OF COUNTRY LANE

### 30-2576 ELEV. A WOB

Sketch # 1



LOWER LEVEL - WALK OUT BASEMENT  
ELEV. A & B

\* Delete one window

T.S

## The Oakwood

ELEVATION A: 3,275 SQ. FT.

[ Includes 699 sq. ft. of finished Lower Level ]

### THE TRAILS OF COUNTRY LANE

Sketch # 2

### 30-2576 ELEV. A WOB

3 X POTLIGHTS ON SEPARATE SWITCH (BREAKFAST) -  
 RELOCATE STD LIGHT OVER ISLAND

RELOCATION R/I CABLE  
 ADD ELECTRICAL PLUG  
 70" +/- FROM FLOOR  
 CENTER OVER  
 FIREPLACE

4 X POTLIGHTS ON  
 EXISTING SWITCH  
 (KITCHEN)-RELOCATE STD  
 LIGHT OVER ISLAND

OPT. WAFFLE CEILING

6 X POTLIGHTS ON  
 EXISTING SWITCH PLUG

ROTATE AND EXTEND  
 ISLAND BY 2' (TOTAL OF 9')  
 RELOCATE 3 LIGHTS TO  
 ABOVE THE ISLAND

EXTEND CABINET (STOVE  
 SIDE WALL) 5' UPPERS +  
 BASE WITH BACKSPASH

36" CHIMNEY AND  
 COOKTOP

RELOCATE STD PANTRY

OPT. SERVERY UPPERS  
 OPT. SERVERY SINK

WINDER MOVED TO  
 TOP LANDING GOING  
 UP TO 2ND FLOOR

1 X POTLIGHT ON  
 SEPARATE SWITCH  
 (UPPER BASEMENT  
 LANDING)

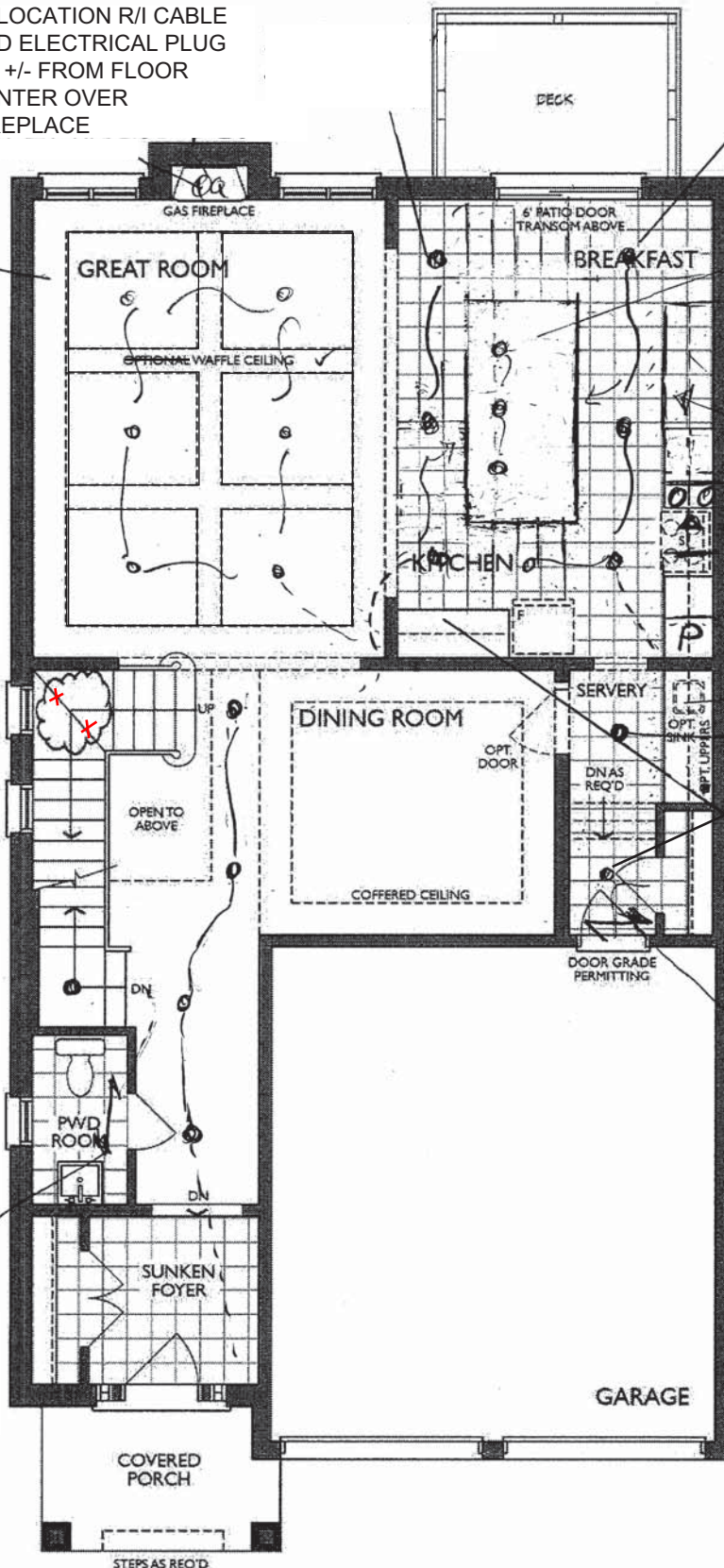
4 X POTLIGHTS ON  
 EXISTING 3 WAY SWITCH  
 (MAIN HALL)-DELETE STD  
 LIGHTS

12X24" TILE INSTALL  
 DIRECTION

1 X POTLIGHT ON EXISTING  
 SWITCH (SERVERY)  
 1 X POTLIGHT ON EXISTING  
 SWITCH (MUD ROOM)

BUILT-IN WALL OVEN AND  
 MICROWAVE

12X24" TILE INSTALL  
 DIRECTION

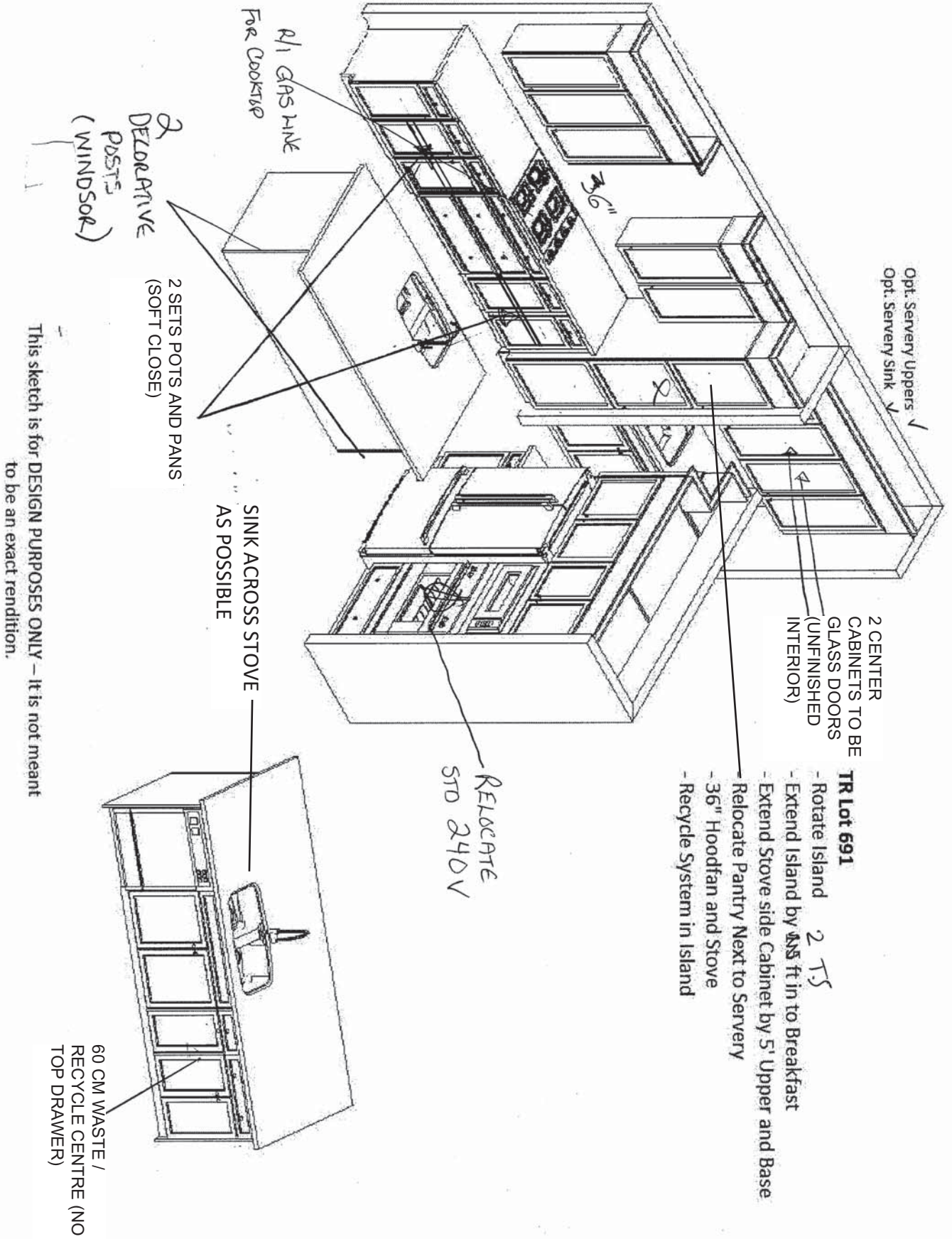


GROUND FLOOR - WALK OUT BASEMENT  
 ELEV. A

\* Add stair winder

TS

Kitchen-The Classic Series with Built-In Appliances



This sketch is for DESIGN PURPOSES ONLY – It is not meant to be an exact rendition.

- TR Lot 691**
- Rotate Island 2 TS
  - Extend Island by 455 ft in to Breakfast
  - Extend Stove side Cabinet by 5' Upper and Base
  - Relocate Pantry Next to Servery
  - 36" Hoodfan and Stove
  - Recycle System in Island

60 CM WASTE / RECYCLE CENTRE (NO TOP DRAWER)

	<p><b>F R E N D E L</b>                  K I T C H E N ' S L I M I T E D  <small>1320 Sheppard Blvd. Markham, Ont. L3R 1C8</small></p>
<p>Heathwood Homes                  Country Lane, Whitby</p>	<p>Model:                  30-2576 (3601)                  The Classic Series</p>
<p>Standard Features:</p> <ul style="list-style-type: none"> <li>• Tandem Box Soft Close Drawers</li> <li>• Blumotion Hinges for Doors</li> <li>• Crown Moulding &amp; Facia</li> <li>• Top Drawer Construction</li> <li>• Deep Fridge Upper w/Deep Panel</li> <li>• Tall upper Cabinets</li> </ul>	<p>Approved By Builder: _____</p> <p>Date: _____</p>

T.S.

## The Oakwood

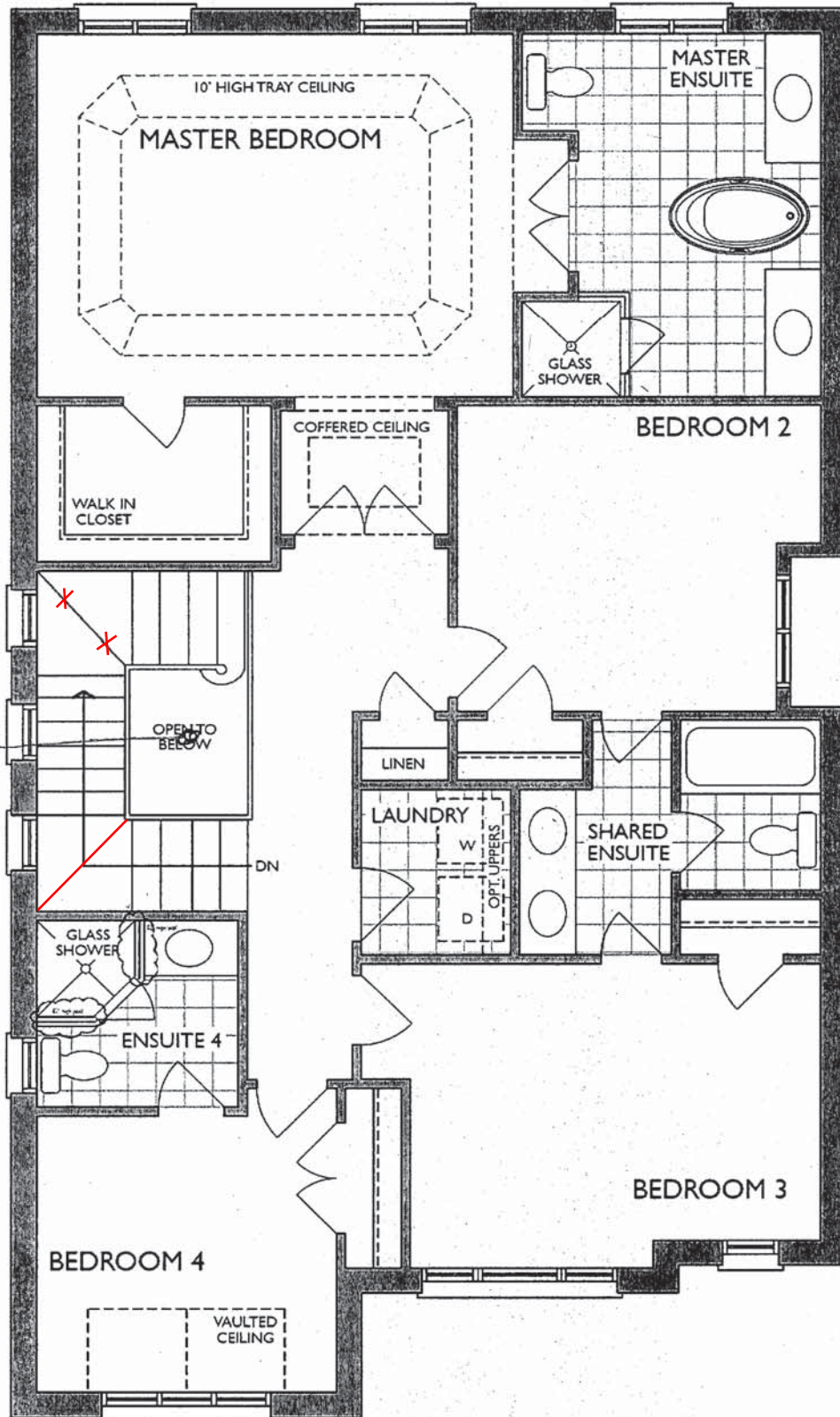
ELEVATION A: 3,275 SQ. FT.

{ Includes 699 sq. ft. of finished Lower Level }

### THE TRAILS OF COUNTRY LANE

Sketch #4

### 30-2576 ELEV. A WOB



SECOND FLOOR  
ELEV. A

\* 42" high wall for shower

TJS



Sketch #5



**F R E N D E L**  
 KITCHENS LIMITED

Corporate Headquarters  
 1350 Shawson Drive  
 Mississauga, ON L4W 1C5  
 Canada

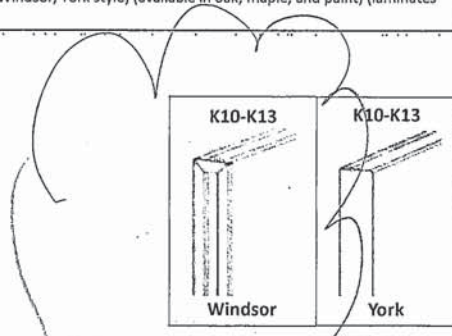
TEL (905) 670-7898  
 TEL (800) 641-1201  
 FAX (905) 670-1986  
 www.frendel.com

2022 Extras List

SECTION K - DECORATIVE ELEMENTS & ACCESSORIES	
Description of upgrade, extra, or credit	

Decorative Posts, Legs & Corbels	
----------------------------------	--


K10	Decorative post for base, wall or vanity (please specify Windsor, York style) (available in oak, maple, and paint) (laminates available only in York style)
K11	Decorative post for island or peninsula (please specify Windsor, York style) (available in oak, maple, and paint) (laminates available only in York style) (max. 65cm deep)
K12	Decorative post for deep island or peninsula (please specify Windsor, York style) (available in oak, maple, and paint) (laminates available only in York style) (66cm - 120cm deep)



SECTION L - COLOUR, SPECIALTY FINISHES & ADDITIONAL SERVICES	
Description of upgrade, extra, or credit	
<b>Colour &amp; Specialty Finishes</b>	
L01	Two-tone colour/style selection for island (must be of equal or lower level to main selection)
L02	Two-tone colour/style selection for base cabinets (tall and wall cabinets must be same colour) (must be of equal or lower level to main selection)

Sketch #6

18" Wide cabinet : 19B-45cm wide pull-out door base cabinet waste/recycle centre with soft-close ([2] 35L bins per unit) (available only with 45cm wide cabinet)



**Euro-Cargo Recycling Center**

Make your life easier with the Euro-Cargo sliding waste bin. Full-extension slides give you complete access to your bins. The integrated lid remains fixed inside your cabinet, and once the system is closed, the lid covers the bins to prevent odors from escaping.

Product # 3614100 [View list](#)

Total Capacity 76 l

76 l  93 l

Interior Dimensions Required - Width 412 to 418 mm

412 to 418 mm  462 to 468 mm  562 to 568 mm

Bin Quantity 2

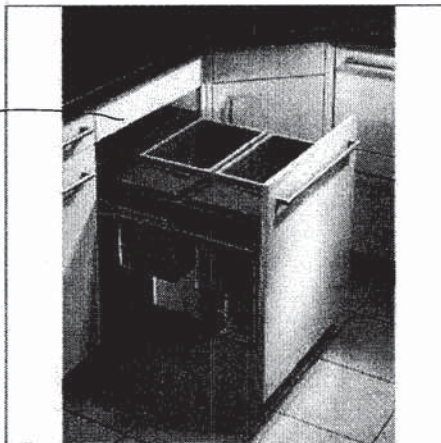
2  4

Bin Capacity 2 x 38 liters

2 x 38 L + 2 x 8.5 L  2 x 38 liters

24" wide cabinet : 20B-60cm wide pull-out door base cabinet waste/recycle centre with soft-close ([4] bins total, including [2] 35L) (available only with 60cm or 24" wide cabinet)

NO  
TOP  
DRAWER



**Euro-Cargo Recycling Center**

Make your life easier with the Euro-Cargo sliding waste bin. Full-extension slides give you complete access to your bins. The integrated lid remains fixed inside your cabinet, and once the system is closed, the lid covers the bins to prevent odors from escaping.

Product # 361460100 [View list](#)

Total Capacity 93 l

76 l  93 l

Interior Dimensions Required - Width 562 to 568 mm

412 to 418 mm  462 to 468 mm  562 to 568 mm

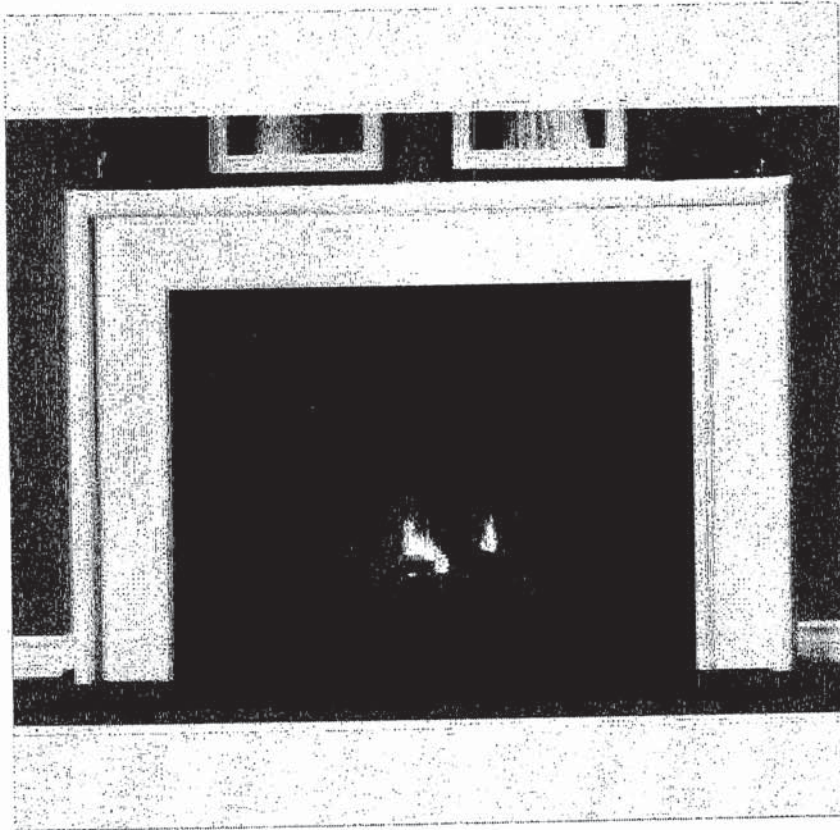
Bin Quantity 4

2  4

Bin Capacity 2 x 38 L + 2 x 8.5 L

2 x 38 L + 2 x 8.5 L  2 x 38 liters

T.S



**NEAS NF17 Mantel**

T.S

## BLANCO

### Sink Specifications

### QUATRUS U 1 $\frac{3}{4}$

Colour	SKU
brushed finish	401244

#### Design and planning tips

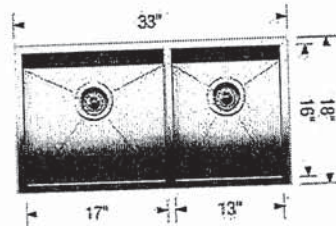
- Min cabinet size: 36 in ( 915 mm )
- Bowl Depth: 9 in ( 230.0 mm )

#### Specifications:

Installation clips, Sink template, Installation instructions, 3  $\frac{1}{2}$ " (90 mm) stainless steel strainers

Depending on cabinet construction, a different cabinet size may be required. Consult the cabinet manufacturer.

Codes/Standards: ASME A112.19.3-2017/ CSA B45.4-17



#### Optional Accessories

Ash Cutting Board	406345
CapFlow Strainer Cover	517666
Sink Grid	402123
Sink Grid	402124

#### Warranty

Limited lifetime warranty on all sinks and faucets. One-year warranty on all accessories and soap dispensers.

#### Code/Standards Compliance

BLANCO sinks and faucets are third-party tested and certified to CSA, cUPC, ANSI/ASME, IAPMO and NSF standards and listed by applicable certification bodies. For more information on individual product listings, contact our office or listing organization.



Need support? Learn more by watching our sink & faucet How-to videos:  
<https://www.blanco.com/ca-en/support/how-to-videos/how-to-videos-for-sinks/>



BLANCO Canada Inc  
100 Corporation Drive  
Brampton ON L6S 6B5

#### Tel & Fax

Tel: 905-494-2400 Toll free: 1-877-425-2626  
Fax: 905-494-2425 Toll free: 1-877-825-2626

While BLANCO strives to provide accurate information, all images and dimensions in this document are intended for reference only and are subject to change at any time without notice. This document is not intended for use as an installation guide. For technical installation details, refer to installation instructions provided with the product. BLANCO assumes no responsibility for the use of superseded or voided specifications.

# MOEN®

## Specifications

### FAUCET DESCRIPTION

- Reflex™ pulldown system offers smooth operation, easy movement and secure docking
- Power Clean™ spray technology
- Metal construction with various finishes identified by suffix
- Quick connect installation
- Pulldown spray with 68" braided hose
- Flexible supply lines with 3/8" compression fittings
- High arc spout provides height and reach to fill or clean large pots while pulldown wand provides the maneuverability for cleaning or rinsing
- 360° rotating spout
- Faucet designed for handle to be mounted on right side only

### OPERATION

- Lever style handle
- Temperature controlled by 100° arc of handle travel
- Operates with less than 5 lbs. of force
- Operates in stream or spray mode in the pullout or retracted position

### FLOW

- Flow is limited to 1.5 gpm (5.7 L/min) max at 60 psi

### CARTRIDGE

- 1255™ Duralast™ cartridge

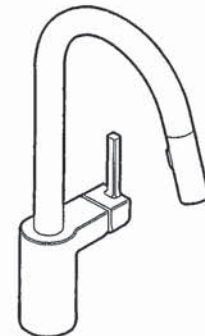
### STANDARDS

- Third party certified to IAPMO Green, ASME A112.18.1/CSA B125.1 and all applicable requirements therein including NSF 61/9G & 372
- Meets CalGreen and Georgia SB370 requirements
- Complies with California Proposition 65 and with the Federal Safe Drinking Water Act
- The backflow protection system in the device consists of two independently operating check valves, a primary and a secondary which prevent backflow

- ADA  for lever handle

### WARRANTY

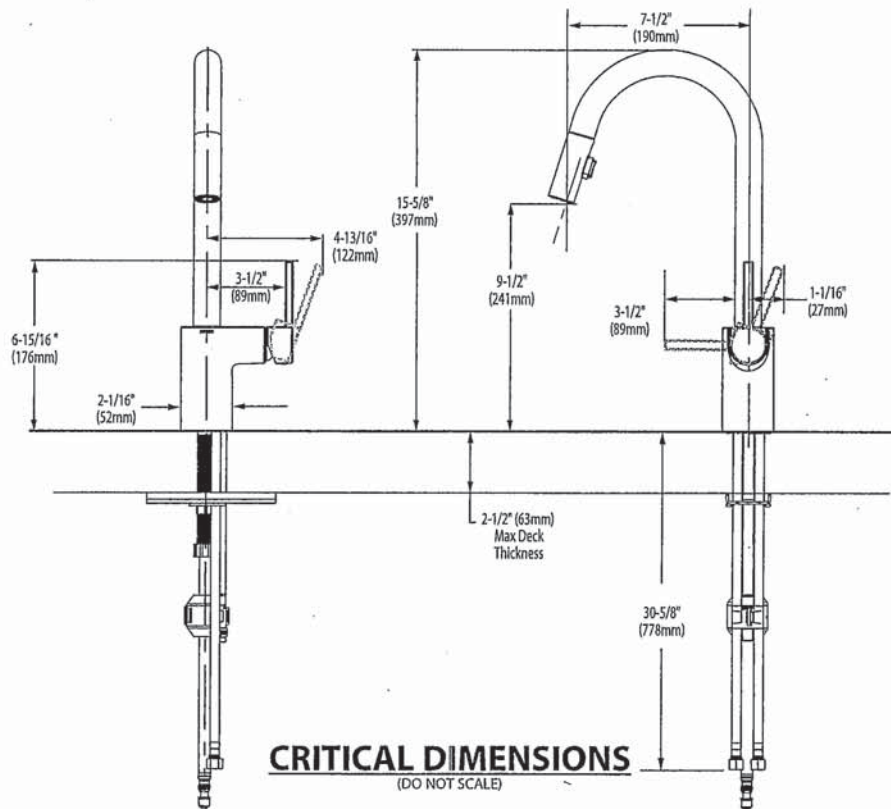
- Lifetime limited warranty against leaks, drips and finish defects to the original homeowner
  - 10 year limited warranty when used in a multifamily installation
  - 5 year limited warranty when used in a commercial installation
- Visit [www.moen.com/support](http://www.moen.com/support) for complete details and limitations



**ALIGN™**  
 Single Handle High Arc  
 Pulldown Kitchen Faucet

Models: 7565 series

**NOTE:** THIS FAUCET IS DESIGNED TO BE INSTALLED THROUGH 1 HOLE, 1-1/2" (38mm) MIN. DIA. (OPTIONAL 3-HOLE ESCUTCHEON 141002 AVAILABLE)





 BARRIER FREE (ABOVE COUNTER OR DROP-IN ONLY)

**BOULEVARD®**  
**PEDESTAL SINK**  
VITREOUS CHINA

### BOULEVARD® PEDESTAL SINK

- ~~0641.800~~ Faucet holes on 8" (203mm) centers (illustrated)
- STD  **0641.400** Faucet holes on 4" (102mm) centers
- ~~0641.100~~ Center hole only
- Classic styled rectangular pedestal lavatory
  - Vitreous china
  - Rear overflow
  - Supplied with mounting kit
  - Right Height® for greater comfort during use
  - Faucet ledge with large deck area (faucet not included)
  - **Design coordinates with Boulevard® Toilet**
  - Basin has flat bottom to also allow use as an **above counter** sink or a **drop-in** sink (with u-shaped cut out)

#### Nominal Dimensions:

24" x 19" x 35-1/2"  
(610 x 483 x 902mm)

- 0641.008** Pedestal top-8" (203mm) centers
- 0641.004** Pedestal top-4" (102mm) centers
- 0641.001** Pedestal top-center hole only
- 0010.000** Pedestal only

#### Bowl sizes:

17" (432mm) wide,  
12-1/2" (318mm) front to back,  
5" (127mm) deep

#### Compliance Certifications -

#### Meets or Exceeds the Following Specifications:

- ASME A112.19.2 - 2008/CSA B45.1-08



SEE REVERSE FOR ROUGHING-IN DIMENSIONS

#### To Be Specified:

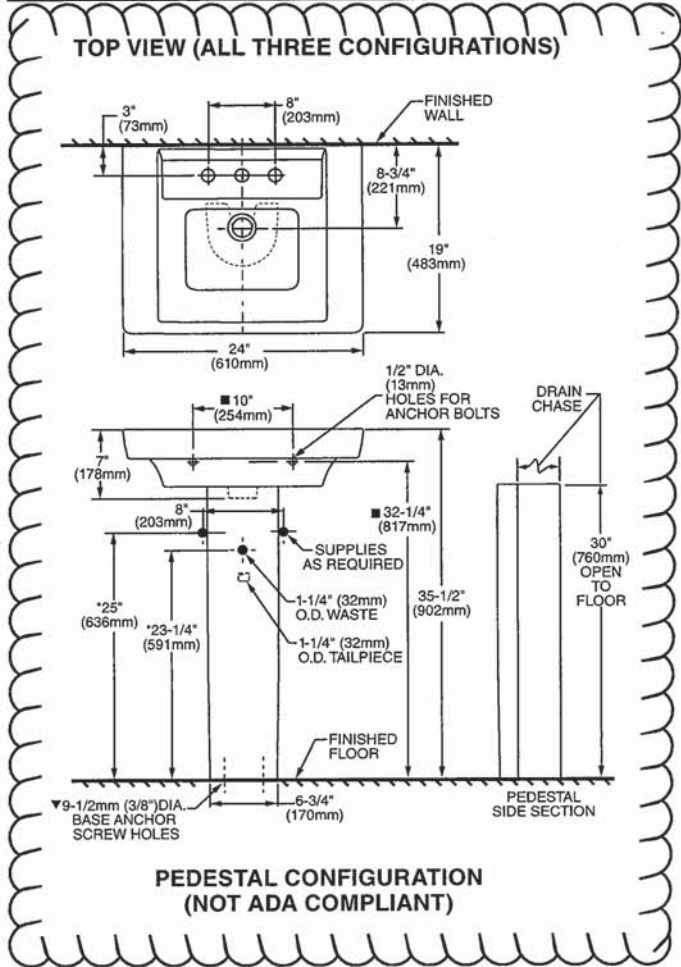
- Color:  White  Linen
- Faucet Finish:
- Supplies:
- 1-1/4" Trap:
- Nipple:

\* See faucet section for additional models available

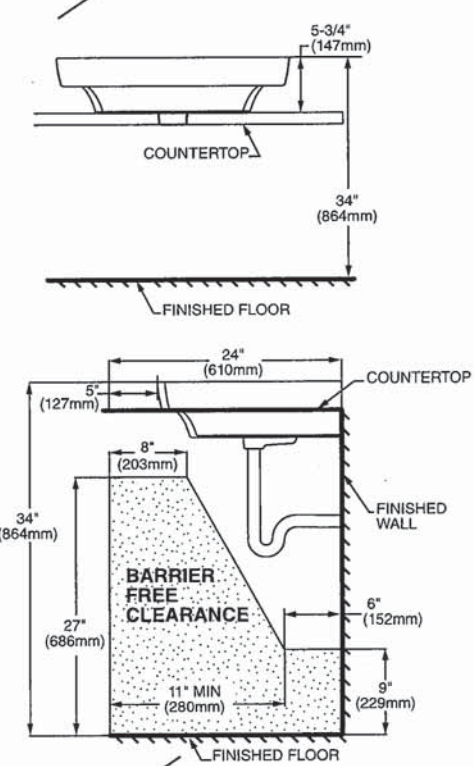


**BOULEVARD®  
 PEDESTAL SINK**  
 VITREOUS CHINA

**BARRIER FREE (ABOVE COUNTER OR DROP-IN ONLY)**



**ABOVE COUNTER CONFIGURATION**



**ABOVE COUNTER AND DROP-IN SINK CONFIGURATIONS MEET THE AMERICANS WITH DISABILITIES ACT GUIDELINES AND ANSI A117.1 ACCESSIBLE AND USABLE BUILDINGS AND FACILITIES - CHECK LOCAL CODES.**  
 Top of sink installed at 34" (864mm) height from finished floor.  
 Sink installed 5" (127mm) minimum from front edge of countertop.  
 Provide 27" (686mm) knee clearance area.

**NOTES:**  
 \* DIMENSIONS SHOWN FOR LOCATION OF SUPPLIES AND "P" TRAPS ARE SUGGESTED.  
 ▼ PEDESTAL ANCHORING SCREWS NOT INCLUDED.  
 ■ SUITABLE FOR REINFORCEMENT ONLY. ACTUAL DIMENSIONS MUST BE TAKEN FROM FIXTURE.  
 FITTING NOT INCLUDED AND MUST BE ORDERED SEPARATELY.  
 PROVIDE SUITABLE REINFORCEMENT FOR ALL WALL SUPPORTS.  
 INSTALLATION INSTRUCTIONS SUPPLIED WITH LAVATORY.

**IMPORTANT:** Dimensions of fixtures are nominal and may vary within the range of tolerance established by ANSI Standard A112.19.2. These measurements are subject to change or cancellation. No responsibility is assumed for use of superseded or voided pages.

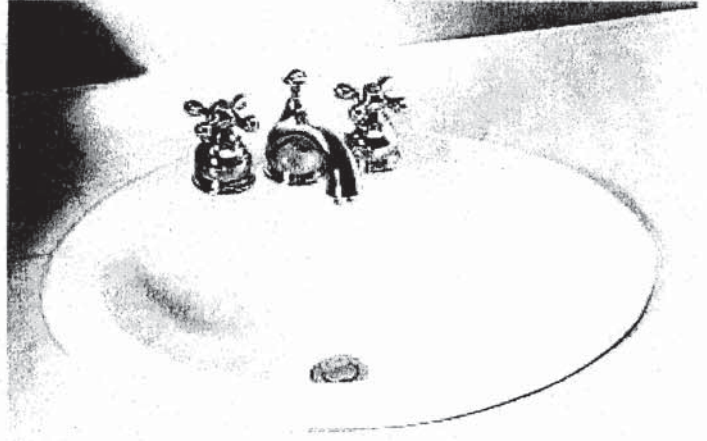
*American Standard*

 **BARRIER FREE**

**COLONY™  
 COUNTERTOP SINK**  
 VITREOUS CHINA

**COLONY COUNTERTOP SINK**

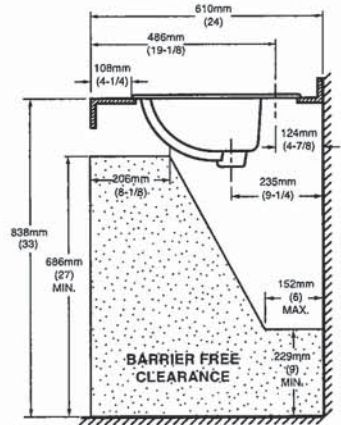
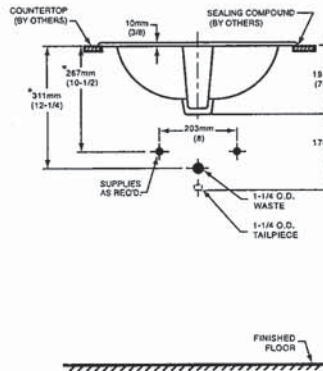
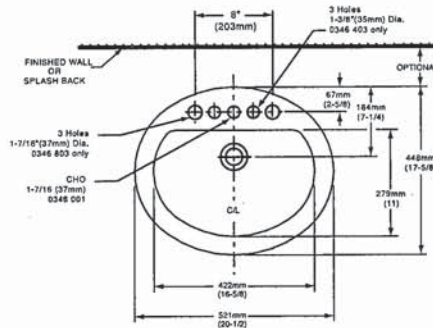
- Vitreous china
- Self-rimming
- Front overflow
- Supplied with template
- Faucet deck  
 (Faucet shown not included)



- 0346 803**  
 Faucet holes on 203mm (8") centres
- STD**  **0346 403 (Illustrated)**  
 Faucet holes on 102mm (4") centres
- 0346 001**  
 Centre hole only

Nominal Dimensions:  
 521 x 448mm (20-1/2" x 17-5/8")

Bowl sizes:  
 422mm (16-5/8") wide, 279mm (11") front to back, 143mm (5-5/8") deep



**COMPLIANCE CERTIFICATIONS –**  
 Meets or exceeds the following Specifications:  
 • ASME A112.19.2M for Vitreous China Fixtures.  
 • CAN/CSA B45 Series.

- To Be Specified
- Colour:  White  Bone  Silver Gray  Linen
  - Faucet\*:
  - Faucet Finish:
  - Supplies & Stops:
  - Trap 1-1/4" (32 mm):

**NOTES:**  
 \* DIMENSIONS SHOWN FOR LOCATION OF SUPPLIES AND "P" TRAP ARE SUGGESTED. FOR COUNTERTOP CUTOUT AND INSTALLATION INSTRUCTIONS USE TEMPLATE SUPPLIED WITH SINK.  
 FAUCETS NOT INCLUDED AND MUST BE ORDERED SEPARATELY.  
 IMPORTANT: Dimensions of fixtures are nominal and may vary within the range of tolerances established by ANSI Standard A112.19.2. These measurements are subject to change or cancellation. No responsibility is assumed for use of superseded or voided pages.

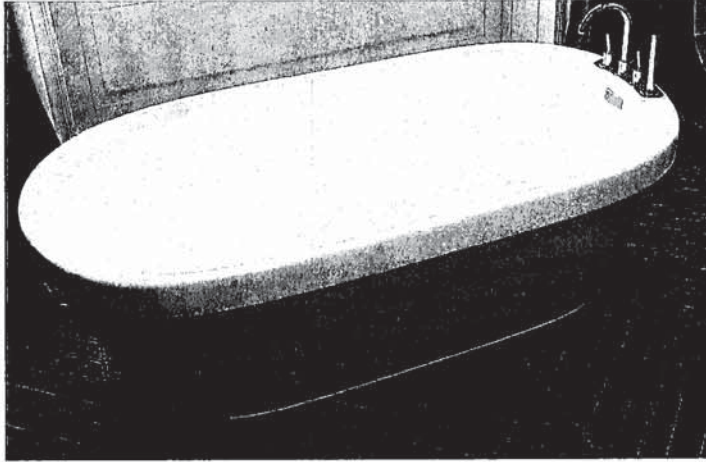
\* See faucet section for additional models available





## DEMI™ Product Specification Sheet

### Two Piece Freestanding Collection



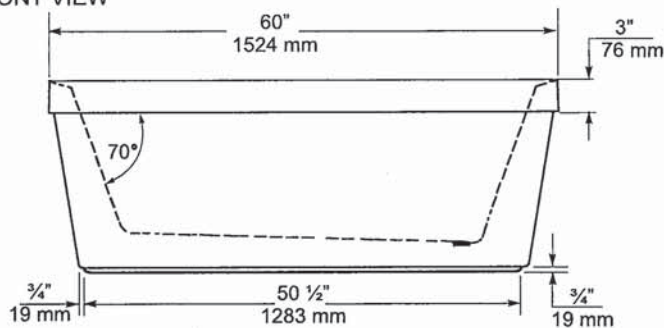
CF2007	Two Piece Freestanding Soaker
Size:	60" x 32" x 22" 1524 mm x 813 mm x 559 mm

#### PRODUCT FEATURES & BENEFITS

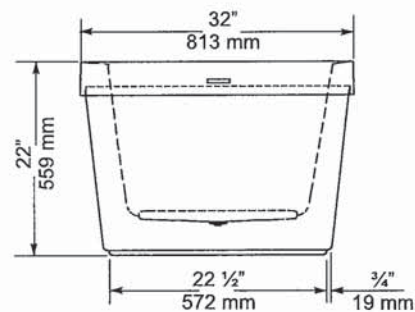
- Vacuum formed acrylic reinforced with fiberglass
- Scratch, stain and fade resistant high gloss finish
- Installation friendly two piece design
- Accepts deck mounted faucet
- Includes integral pop up drain and rectangular overflow
- Includes levelling feet

#### TWO PIECE ASSEMBLY

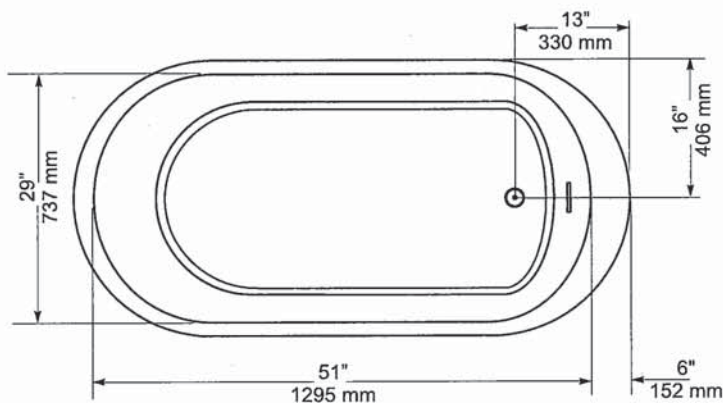
FRONT VIEW



END VIEW



TOP VIEW



#### GENERAL SPECIFICATIONS

Average Weight	90 lb	41 kg
Bathing Well at bottom	43" x 20"	1092 x 508 mm
Capacity Drain to Overflow		195 litres
Water Depth Drain to Overflow	16"	406 mm
Drain Opening (dia.)	2"	51 mm
Overflow Opening	2 1/4" x 1/2"	57 x 13 mm
Drain to Floor Clearance	3 1/4"	83 mm

**NOTES:** Please confirm measurements on actual product to ensure proper identification. Bathtub to be installed on the floor supported by 5 self levelling feet. Adjust if required to level the bathtub for adequate drainage. Refer to installation instructions for additional information.

**IMPORTANT:** Dimensions of fixtures are nominal and may vary ± 1/4" (6 mm). Weight may vary ± 5 lb ( 2.3 kg). Drawing is not to scale. These measurements are subject to change at manufacturer's discretion.

#### Compliance Certifications -

Meets or Exceeds the following Specifications:

- CAN/CSA - B45 Series



*American Standard*

Style That Works Better

## FloWise™ DUAL FLUSH ELONGATED TOILET

VITREOUS CHINA

### FloWise™ DUAL FLUSH ELONGATED TOILET

**2476 216**

- Vitreous china
- Low-consumption Dual Flush  
 Full flush 6.0 Lpf/1.3 gpf,  
 Partial flush 3.0 Lpf/0.66 gpf.
- Elongated wash down bowl
- Internal trapway fully-glazed,  
 2-1/4" (57mm) ballpass
- Concealed trapway bowl
- Chrome-plated top mounted  
 push button actuator
- Easy to clean sanitary dam on bowl
- Includes Elongated Slow Close Seat
- 100% factory flush tested
- 2 bolt caps

**Separate Component Parts:**

- 3067 316** Elongated Bowl with Slow Close Seat
- 4035 216** Unlined Tank



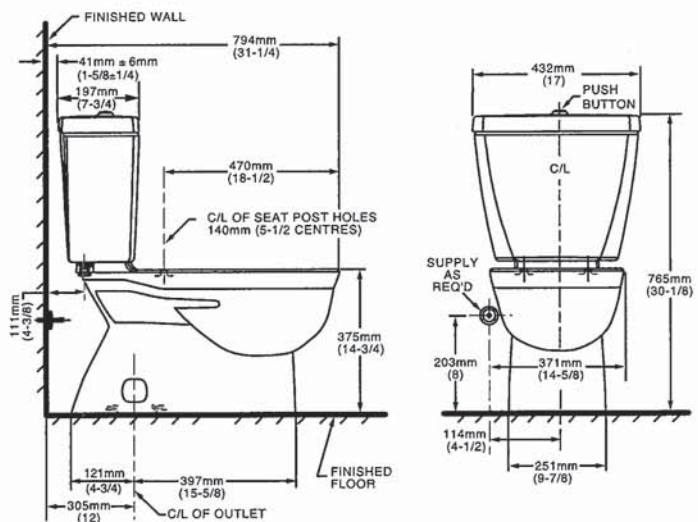
**2476 516** Same as above with Lined tank

- 3067 316** Elongated Bowl
- 4035 516** Lined Tank

Nominal Dimensions:  
 794 x 432 x 765mm  
 (31-1/4" x 17" x 30-1/8")

**Compliance Certifications -  
 Meets or Exceeds the Following Specifications:**

- ASME A112.19.2M (and 19.6M)
- CAN/CSA B45 series



**NOTES:**  
 THIS TOILET IS DESIGNED TO ROUGH-IN AT A MINIMUM DIMENSION OF 305MM (12") FROM FINISHED WALL TO C/L OF OUTLET.  
 SUPPLY NOT INCLUDED WITH FIXTURE AND MUST BE ORDERED SEPARATELY.  
 \* DIMENSION SHOWN FOR LOCATION OF SUPPLY IS SUGGESTED.  
 FOR ADDITIONAL INFORMATION REFER TO INSTALLATION INSTRUCTIONS SUPPLIED.  
 IMPORTANT: Dimensions of fixtures are nominal and may vary within the range of tolerance established by ANSI Standard A112.19.2  
 These measurements are subject to change or cancellation. No responsibility is assumed for use of superseded or voided pages.

**To Be Specified**

- Colour: 020 White
- Supply with stop:

**UPGRADED VALUE ADDED FEATURES AT NO EXTRA CHARGE**

# MOEN®

## Specifications

### DESCRIPTION

- Metal construction with various finishes identified by suffix
- 16" long 3/8" tubing connections
- Includes metal or 50/50 pop-up type waste assembly where noted

### OPERATION

- Pivot action lever style handle
- Temperature controlled through 180° degree arc of handle travel

### FLOW

- Flow is limited to 1.5 gpm max (5.7L/min) at 60 psi

### CARTRIDGE

- 1225 cartridge design
- Nonmetallic/nonferrous and stainless steel material
- Can accommodate reversed piping and back to back installations

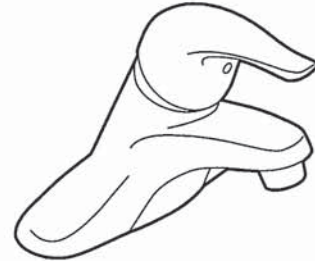
### STANDARDS

- Third party certified to WaterSense®, CSA B-125.1, ASME A112.18.1 and all applicable requirements referenced therein including NSF61/9
- Complies with California Proposition 65 and with the Federal Safe Drinking Water Act

- ADA  for lever handle

### WARRANTY

- Lifetime limited warranty against leaks, drips and finish defects to the original consumer purchaser
- 5 year warranty if used in commercial installations



### CHATEAU® Single-Handle Lavatory Faucet

#### with Metal Waste Assembly

Model: L4625 series

L4631BC

**Bulk Packed (12 per carton):**  
L64624 series

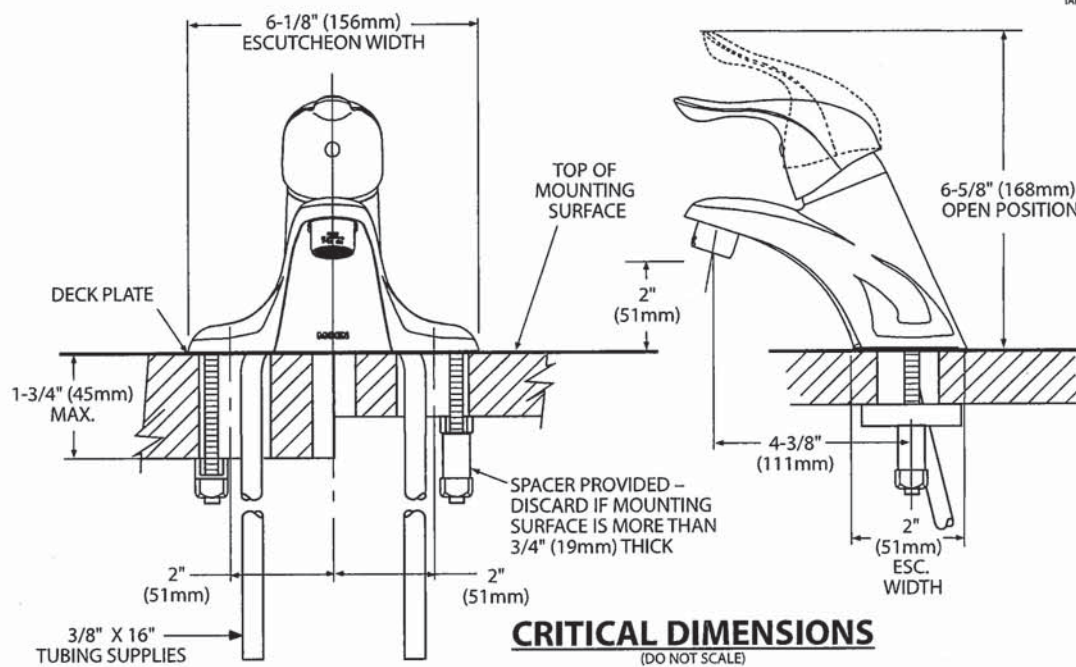
#### with 50/50 Waste Assembly

**Bulk Packed (12 per carton):**  
L64625 series

#### Less Waste

**Bulk Packed (12 per carton):**  
L64600 series

**NOTE:** THIS FAUCET IS DESIGNED TO BE INSTALLED THRU 3-1" DIA. HOLES, 2" ON CENTER





Buy it for looks. Buy it for life.®

There is more than 1 version of this model.  
 Page down to identify the version you have.

**DESCRIPTION**

- Metal construction with various finishes identified by suffix
- Includes non-metallic showerhead, arm, flange and non-metallic diverter tub spout

**OPERATION**

- Handle operates counterclockwise through a 270° arc with off at 6 o'clock and maximum hot at the 9 o'clock position. Shut off in clockwise direction
- Adjustable temperature limit stop to control maximum hot water temperature
- Pressure balancing mechanism maintains selected discharge temperature to ± 3°

**FLOW**

- Showerhead is limited to 2.5 gpm (9.5 L/min) at 80 psi
- EP suffix models are limited to 1.75 gpm (6.6 L/min) at 80 psi
- NH suffix models contain no showerhead

**CARTRIDGE**

- 1222 cartridge design
- Accommodates back to back installations
- Nonmetallic/nonferrous and stainless steel material

**STANDARDS**

- Third party certified to meet ASME A112.18.1/CSA B125.1 and all applicable requirements referenced therein
- EP suffix models are third party certified to WaterSense®

- **ADA** for lever handle

**WARRANTY**

- Lifetime limited warranty against leaks, drips and finish defects to the original consumer purchaser
- 5 year warranty if used in commercial installations

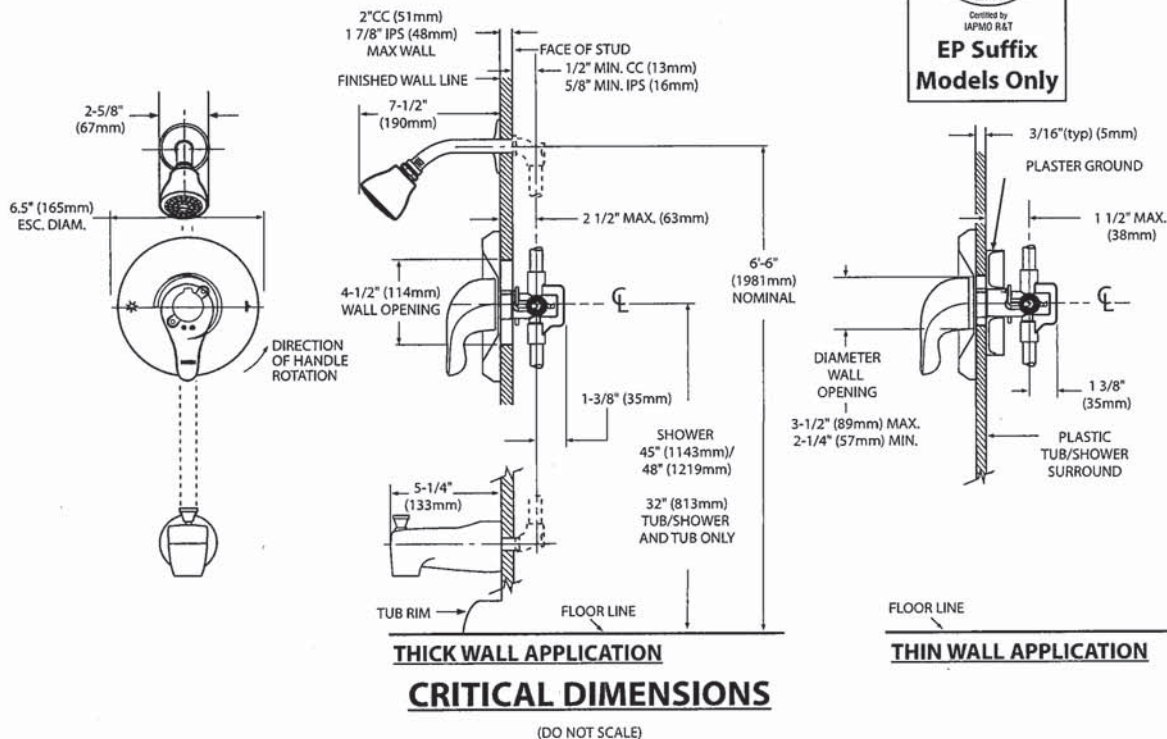
## Specifications



**CHATEAU® POSI-TEMP®  
 Single-Handle Tub/Shower Trim Kit**

- Models:** TL181 series - valve trim only  
 (Bulk Packed 12 per carton)  
 TL182 series - shower trim only  
 (Bulk Packed 12 per carton)  
 TL183 series - tub/shower trim  
 (Bulk Packed 12 per carton)

- Valves:** 62300 series  
 2500 series



# MOEN®

## Specifications


### DESCRIPTION

- Metal construction with various finishes identified by suffix

### OPERATION

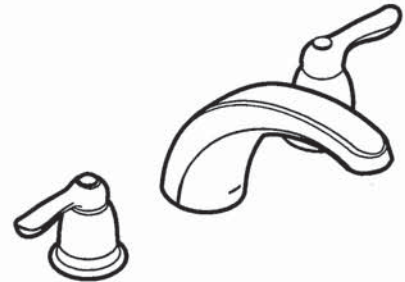
- Lever style handles with hot and cold color indicator
- Rotate hot side handle counterclockwise to open (clockwise to close) and the cold side handle (clockwise to open) and (counterclockwise to close)

### STANDARDS

- Third party certified to: ASME A112.18.1/CSA B-125.1, and all applicable requirements referenced therein
- **ADA**  for lever handles

### WARRANTY

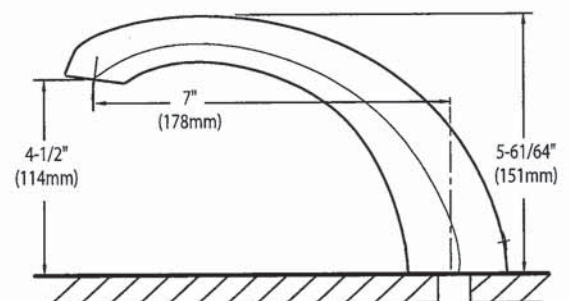
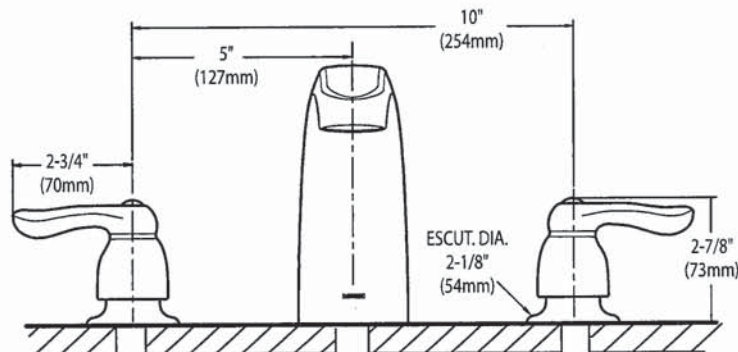
- Lifetime limited warranty against leaks, drips and finish defects to the original homeowner
  - 10 year limited warranty when used in a multi-family installation
  - 5 year limited warranty when used in a commercial installation
- Visit [www.moen.com/support](http://www.moen.com/support) for complete details and limitations



**CHATEAU®**  
**Two-Handle Garden Tub Trim**

**Models:** T994 series

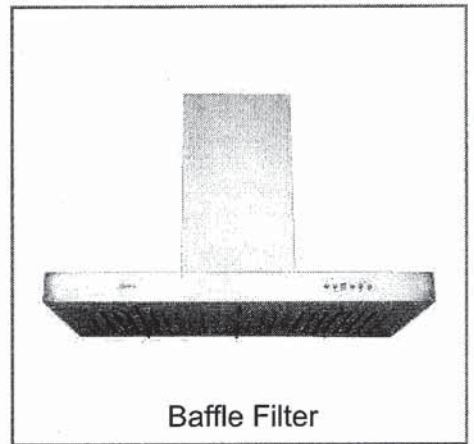
**Valves:** 4792, 4793, 4794, 4796, 4797, 4798



### CRITICAL DIMENSIONS

(DO NOT SCALE)

## SC(B)514 | ALITO Collection



### Wall Mount

The SC(B)514 makes a statement of strength and power with a bold frame and 550 CFM fan. Features mesh or baffle filters, two bright LED lights and a three-speed panel for total control. It is also fitted with a time-delay OFF feature up to nine minutes.

### Green Features



3 Speed Push Button Control Panel



Long-Lasting LED Lights



Time-Delay OFF Feature



Grease Cup



Model	Colour	Ducting	Filters	Size	CFM
-------	--------	---------	---------	------	-----

<del>SCB51430</del>	Stainless Steel	6"	Baffle	30"	550
SCB51436	Stainless Steel	6"	Baffle	36"	550

#### Cyclone Range Hoods Inc.

1361 Huntingwood Drive, Unit 16. Toronto, ON. M1S 3J1. Canada.

Toll Free: 1-888-293-5662 Tel: (416) 293-0933 Fax: (416) 293-4793 Website: [www.CycloneRangeHoods.com](http://www.CycloneRangeHoods.com)

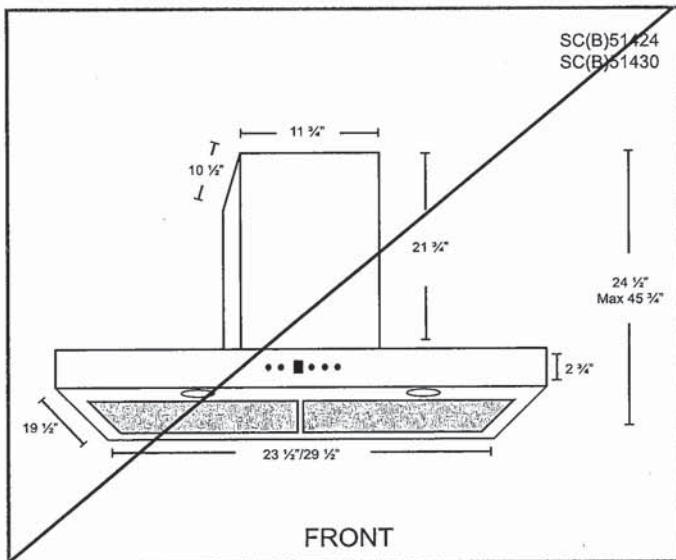
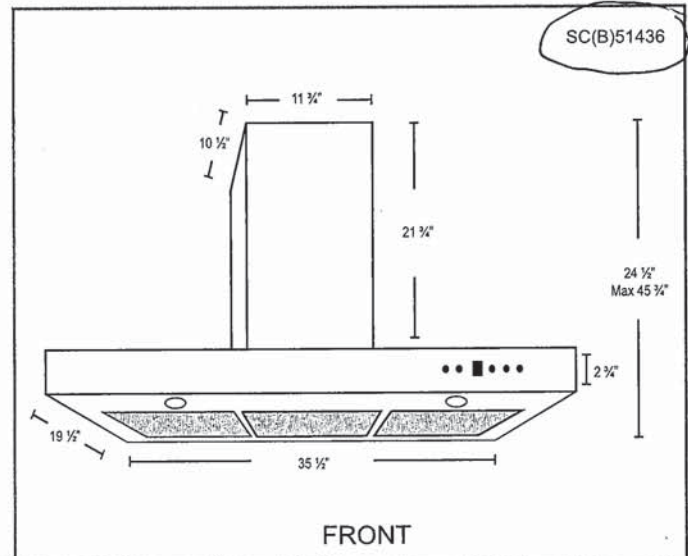
T-S

## SC(B)514 | ALITO Collection



### Features

- Wall mount range hood
- 6" round duct adapter
- Non-stick aluminum fan blades
- 3 speed push button control
- 2 LED lights (2 x 1.4W, 4000K)
- Quick release aluminum mesh filters
- Standard chimney fits up to 9 ft. ceiling
- Up to 9 minutes time-delay OFF feature
- Plug-in connection



### Options

- Filters:
  - SCB514 - Quick Release Stainless Steel Baffle Filters
- Chimney Flues:
  - B2.CH16 - short (7'-8' ceilings)
  - B2.CH22 - standard (8'-9' ceilings)
  - B2.CH32 - extended (9'-11' ceilings)
- Widths: 30", 36"

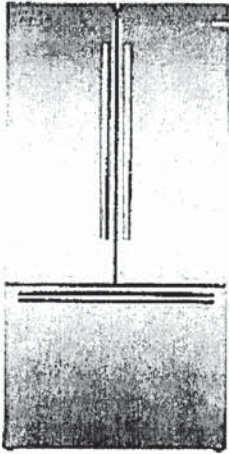
### Specifications

- |  |  |  |
|--|--|--|
| <ul style="list-style-type: none"> <li>• Air Flow Volume: 550 CFM</li> <li>• Electrical Connection: 120 V/60 Hz</li> <li>• Power Consumption: 300 Watts</li> </ul> | <ul style="list-style-type: none"> <li>• Current: 2.5 Amps</li> <li>• Fan Speed: 1599 RPM</li> <li>• Fan Type: Centrifugal Blower</li> </ul> | <ul style="list-style-type: none"> <li>• Finishes: Stainless Steel</li> <li>• Ducting: 6" Round</li> <li>• Noise Level: Min. 2 Sones<br/>Max. 6 Sones</li> </ul> |
|--|--|--|



## 36" Counter-Depth 3-Door Refrigerator

800 Series – Stainless Steel B36CT80SNS



**B36CT80SNS**  
Stainless Steel

Also available in:

Black Stainless Steel  
B36CT80SNB

Introducing the revolutionary, new FarmFresh System™, with four freshness technologies designed to work together to keep your food fresher, longer. Enjoy less food waste, new innovative features and more thoughtful design.

### Features & Benefits

VitaFreshPro™ provides pre-programmed freshness settings to optimize temperature and humidity to keep meat, fish, and produce fresher, longer.

Interior Water Dispenser is thoughtfully placed inside for refreshing water at the touch of a button or a push of a nozzle.

FlexBar™ utilizes typically unused space in the upper refrigerator cavity.

### General Properties

Full 72" height and true counter depth for built-in appearance	Yes
Easy Clean Stainless Steel	Yes
Lighting	Recessed LED light bars
Number of compressors/ evaporators	2 / 2
Defrost process refrigerator section	Frost-free
Number of shelves – refrigerator	5
Adjustable shelves – refrigerator	4 half-width
Shelf material – refrigerator	Tempered glass
Type of shelves – refrigerator	Frameless split shelves with metal trim
Flexible storage bar	FlexBar™
Gallon storage bins	2
Humidity control compartments	2
Full width temp. & humidity controlled drawer	VitaFreshPro™
Ice maker	Yes
Water filter	UltraClarityPro™
Internal water dispenser	Yes
Touch control panel	Yes
AirFresh® filter	Yes
FreshProtect™ ethylene filter	Yes
MultiAirFlow™	Yes
Stainless steel back wall	Yes
Defrost process freezer section	Automatic
Number of drawers – freezer	3
Wi-Fi enabled	Yes, Home Connect™ app

### Capacity

Total capacity (cu. ft.)	20.8
Refrigerator capacity (cu. ft.)	14.8
Freezer capacity (cu. ft.)	6

### Technical Details

Current (A)	15 A
Volts (V)	115 V
Frequency (Hz)	60 Hz
Power cord length (in.)	91
Plug type	120V-3 prong

### Dimensions & Weight

Appliance dimensions with hinges, handles and doors (HxWxD) (in.)	72"* x 35 5/8" x 31 1/8"
Appliance dimensions without hinges and doors (HxWxD) (in.)	71 1/2" x 35 5/8" x 24"***
Appliance dimensions with hinges and doors, no handles (HxWxD)(in.)	72"* x 35 5/8" x 28 3/4"
Required cutout size (HxWxD) (in.)	72" x 36" x 25"
Net weight (lbs)	350 lbs

### Efficiency

Energy consumption (kWh/yr)	570
ENERGY STAR® qualified	Yes

### Accessories

UltraClarityPro™ Water Filter: BORPLFTR50  
 FlexBar™ Bottle Holder: BOFLEXBOTL  
 FlexBar™ Deep Shelf: BOFLEXLGSB  
 FlexBar™ Shallow Shelf: BOFLEXSMSH  
 Ethylene Filter Refill Kit: FPETHRF50



\*When leveling legs are fully extended, add 5/8" to overall height total 72 5/8".

\*\*The cutout depth of 25" includes the required 1" airflow. The electrical covers on the back of unit do not require additional depth.

Accessories: To purchase Bosch accessories, cleaners & parts please visit [www.bosch-home.com/us/store](http://www.bosch-home.com/us/store) or call 1-800-944-2904 (Mon to Fri 9 am to 6 pm PST, Sat 9 am to 3 pm PST).

Notes: All height, width and depth dimensions are shown in inches. BSH reserves the absolute and unrestricted right to change product materials and specifications, at any time, without notice. Consult the product's installation instructions for final dimensional data and other details prior to making cutout.

Warranties: Please see Use & Care manual or Bosch website for statement of limited warranty.

For more information on our entire line of products, go to [www.bosch-home.com/us](http://www.bosch-home.com/us) or call 1-800-944-2904

© BSH Home Appliances Corporation. All rights reserved. Bosch is a registered trademark of Robert Bosch GmbH.

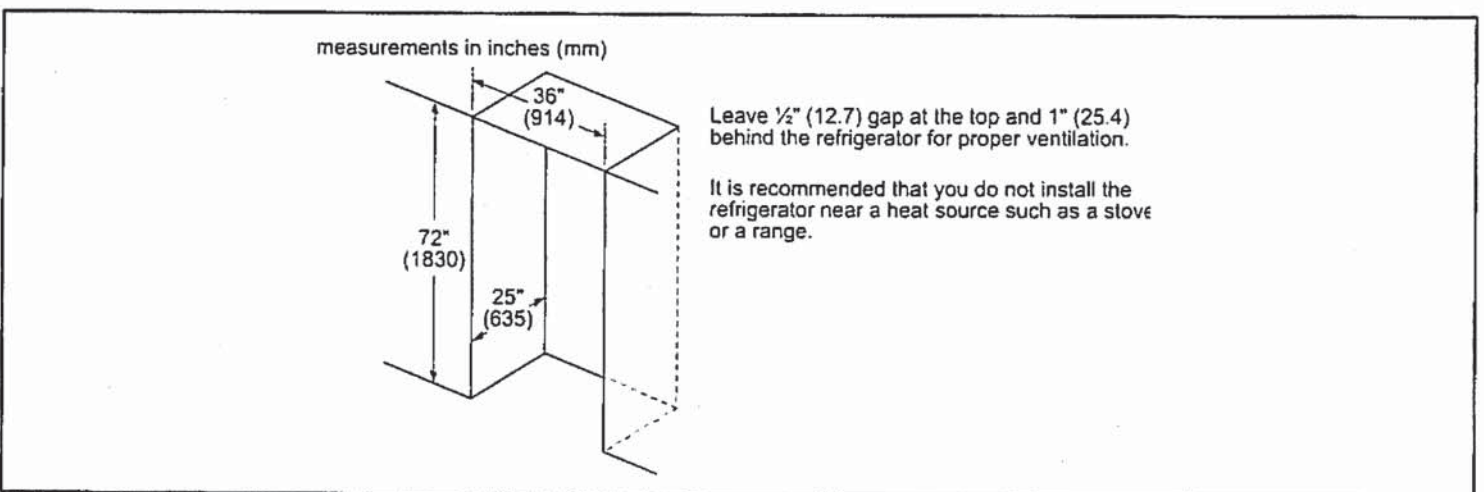
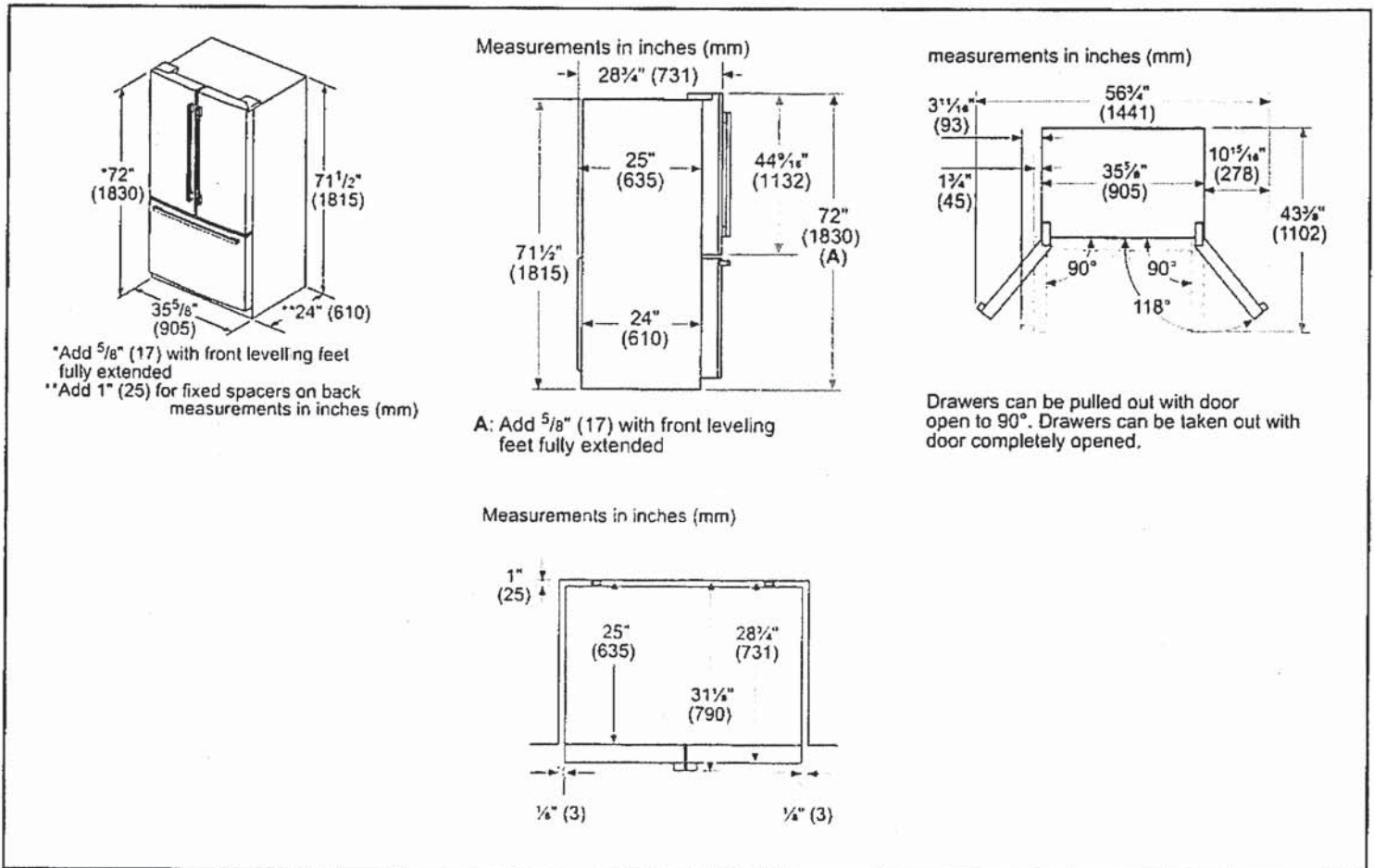


## 36" Counter-Depth 3-Door Refrigerator

800 Series – Stainless Steel B36CT80SNS



### Installation Details



**Accessories:** To purchase Bosch accessories, cleaners & parts please visit [www.bosch-home.com/us/store](http://www.bosch-home.com/us/store) or call 1-800-944-2904 (Mon to Fri: 5 am to 5 pm PST, Sat 6 am to 3 pm PST)

**Notes:** All height, width and depth dimensions are shown in inches. BSH reserves the absolute and unrestricted right to change product materials and specifications, at any time, without notice. Consult the product's installation instructions for final dimensional data and other details prior to making cutout.

**Warranties:** Please see Use & Care manual or Bosch website for statement of limited warranty.

For more information on our entire line of products, go to [www.bosch-home.com/us](http://www.bosch-home.com/us) or call 1-800-944-2904

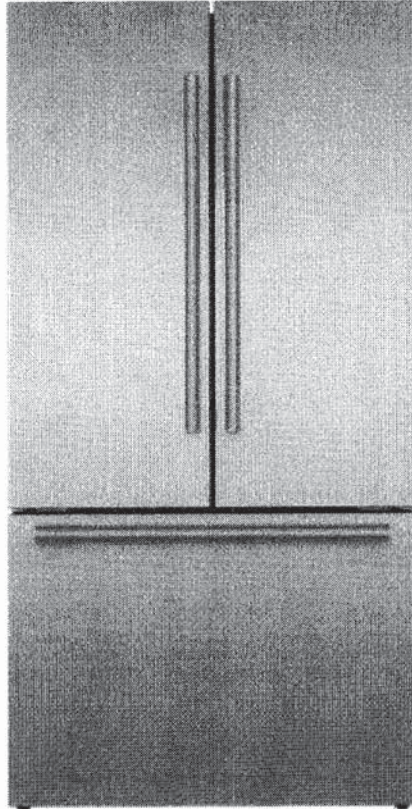
© BSH Home Appliances Corporation. All rights reserved. Bosch is a registered trademark of Robert Bosch GmbH.

Project: Country Lane

Unit: 691, Phase: 6

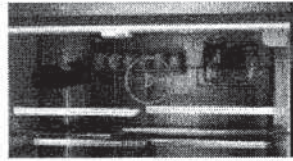
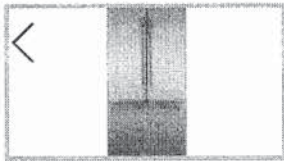
 BOSCH 2576 A OAKWOOD

# 42 of 56



T.S.

(1/61)



Website Feedback

Highlights



**General**

**Width of the product**

905 mm

**Appliance Width (in)**

35 5/8

**Height of the product**

1,830 mm

**Height (in)**

72

**Required cutout size (HxWxD) (in)**

72 IN x 36 IN x 25 IN

T.S

Website Feedback

**Variant color**

Easy Clean Stainless Steel

**Silence level**

40 dB(A) re 1 pW

**Door hinge**

Other

**Shelves for Bottles**

Yes

**Power cord length**

240 cm

**Included accessories**

1 x cartridge for water filtering system

**Connectivity**



**Home Connect** ⓘ

Yes

**Size and weight**

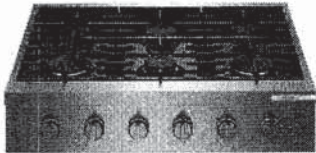


**Depth of the product**

706 mm

## 36" Gas Slide-in Rangetop

800 Series – Stainless Steel RGM8658UC



**RGM8658UC**  
Stainless Steel

The six burner 36" stainless steel slide-in gas rangetop provides the look and features of a commercial-style appliance.

### Features & Benefits

Six powerful gas burners allows you to cook multiple dishes with full range BTU performance.

Dual flame power burner delivers two heat options, from full power heat-up to delicately low simmer.

Heavy-duty continuous surface grates can be easily cleaned in the dishwasher.

OptiSim® burner – offers more flame control at the lowest settings for precise simmering.

Stainless steel exterior front and large metal control knobs offers a bold distinct look.

General Properties	
No. of burners	6
Knob material	Metal
Control location	Up front
Sealed burners	Yes
Ignition system	Electric; flame failure device
Cooktop surface material	Porcelain coated steel
Grate material	Cast iron
Grate features	Continuous grates; dishwasher safe

Burner Performance	
Total BTU load (NG / LP)	77,000 / 77,000
Power of front left burner (NG / LP) Dual-flame	18,000 / 18,000 BTU
Power of back left burner (NG / LP)	12,000 / 12,000 BTU
Power of front center burner (NG / LP)	12,000 / 12,000 BTU
Power of back center burner (NG / LP)	12,000 / 12,000 BTU
Power of back right burner (NG / LP) Opti-Sim®	5,000 / 5,000 BTU
Power of front right burner (NG / LP) Dual-flame	18,000 / 18,000 BTU



Technical Details	
Circuit breaker	15 A
Volts	120 V
Frequency	60 Hz
Plug type	3-prong
Power cord length	60"
Fuel type	Natural Gas (factory set)
Convertible to LP (kit required)	Yes

Dimensions & Weight	
Overall appliance dimensions (HxWxD)	7 1/2" x 35 15/16" x 26 5/8"
Required cutout size (HxWxD)	7 3/8" x 36" x 24"
Minimum distance from side wall	20"*
Net weight	34.5 lbs

Accessories – Included	
Included	LP conversion kit, OptiSim® cap

### Accessories – Optional



**HEZ9GR41UC**  
Griddle



**HEZ7YZ36UC**  
9" backguard (stainless steel)

\* If one side has a minimum distance of 28" (711 mm) to the wall, the other distance can be minimum 12" (305 mm) to the wall.

**Accessories:** To purchase Bosch accessories, cleaners & parts please visit [www.bosch-home.com/us/store](http://www.bosch-home.com/us/store) or call 1-800-944-2904 (Mon to Fri 5 am to 6 pm PST, Sat 6 am to 3 pm PST).

**Notes:** All height, width and depth dimensions are shown in inches. BSH reserves the absolute and unrestricted right to change product materials and specifications, at any time, without notice. Consult the product's installation instructions for final dimensional data and other details prior to making cutout.

**Warranties:** Please see Use & Care manual or Bosch website for statement of limited warranty.

For more information on our entire line of products, go to [www.bosch-home.com/us](http://www.bosch-home.com/us) or call 1-800-944-2904

© BSH Home Appliances Corporation. All rights reserved. Bosch is a registered trademark of Robert Bosch GmbH.

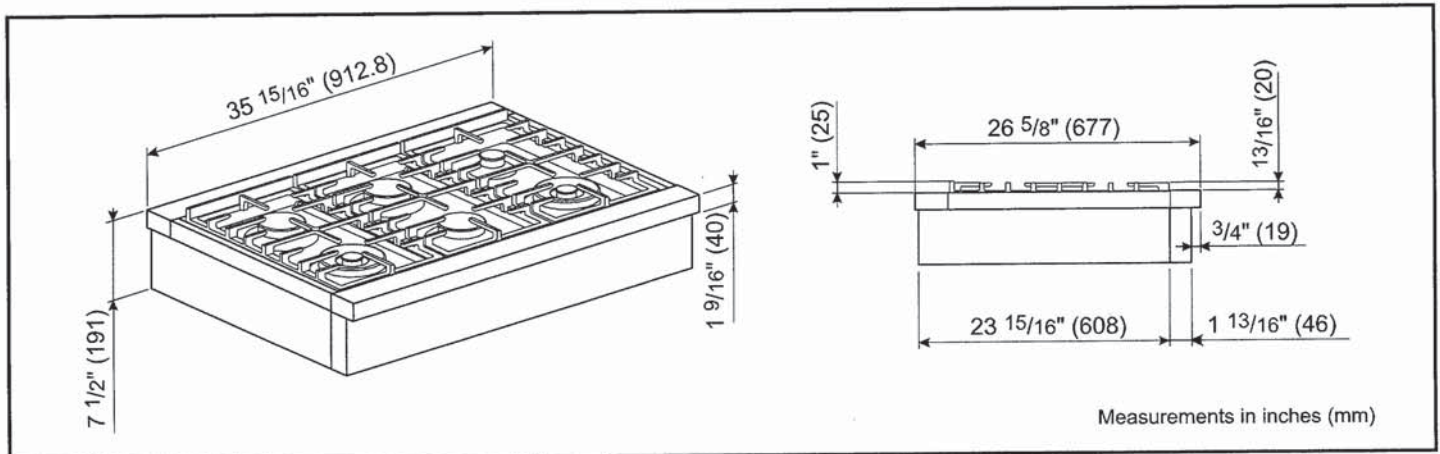
T.S

## 36" Gas Slide-in Rangetop

800 Series – Stainless Steel RGM8658UC



### Installation Details



**Accessories:** To purchase Bosch accessories, cleaners & parts please visit [www.bosch-home.com/us/store](http://www.bosch-home.com/us/store) or call 1-800-944-2904 (Mon to Fri 5 am to 6 pm PST, Sat 6 am to 3 pm PST).

**Notes:** All height, width and depth dimensions are shown in inches. BSH reserves the absolute and unrestricted right to change product materials and specifications, at any time, without notice. Consult the product's installation instructions for final dimensional data and other details prior to making cutout.

**Warranties:** Please see Use & Care manual or Bosch website for statement of limited warranty.

**For more information on our entire line of products, go to [www.bosch-home.com/us](http://www.bosch-home.com/us) or call 1-800-944-2904**

© BSH Home Appliances Corporation. All rights reserved. Bosch is a registered trademark of Robert Bosch GmbH.

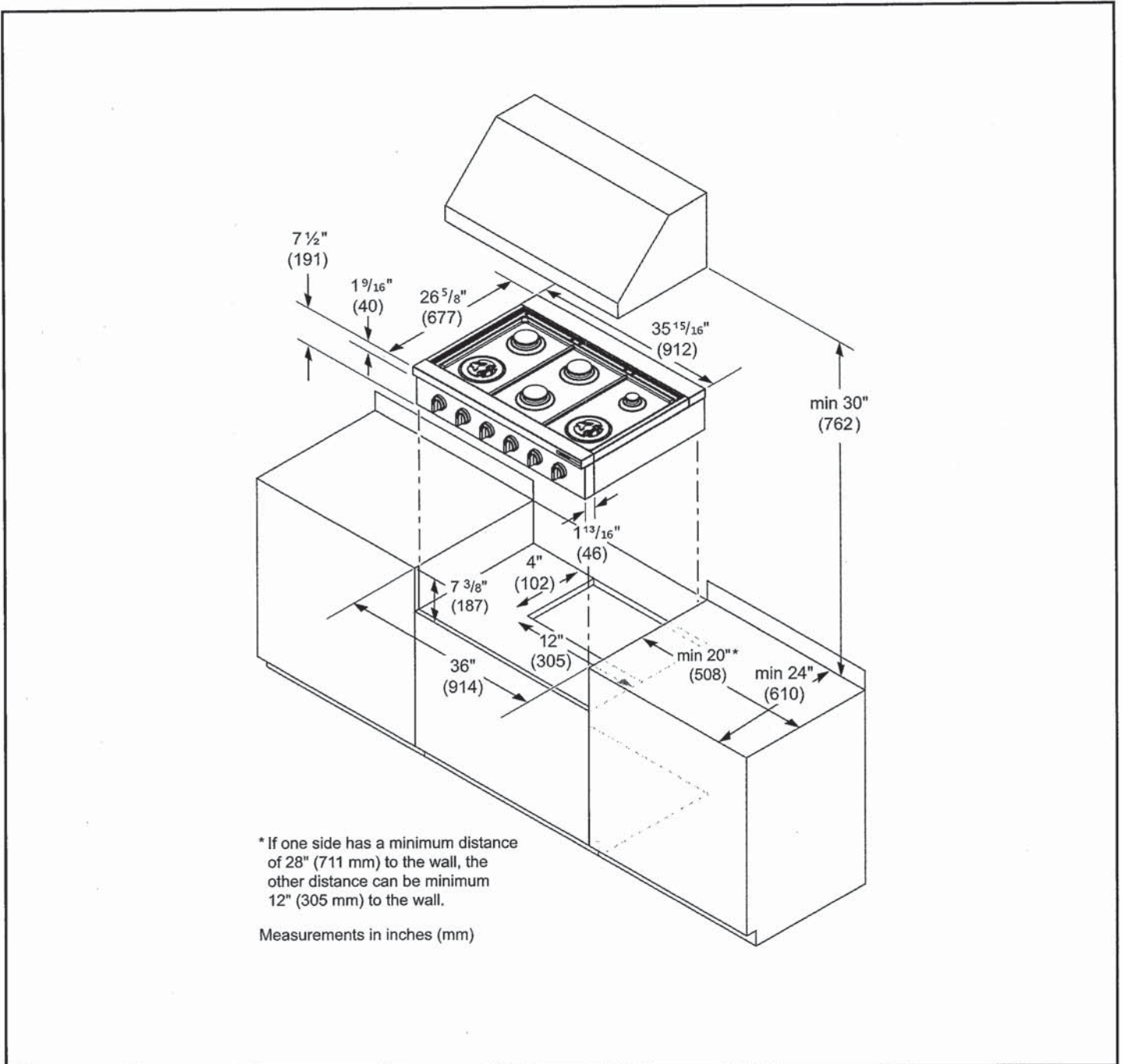
T.S

## 36" Gas Slide-in Rangetop

800 Series – Stainless Steel RGM8658UC



### Installation Details



**Accessories:** To purchase Bosch accessories, cleaners & parts please visit [www.bosch-home.com/us/store](http://www.bosch-home.com/us/store) or call 1-800-944-2904 (Mon to Fri 5 am to 6 pm PST, Sat 6 am to 3 pm PST).

**Notes:** All height, width and depth dimensions are shown in inches. BSH reserves the absolute and unrestricted right to change product materials and specifications, at any time, without notice. Consult the product's installation instructions for final dimensional data and other details prior to making cutout.

**Warranties:** Please see Use & Care manual or Bosch website for statement of limited warranty.

**For more information on our entire line of products, go to [www.bosch-home.com/us](http://www.bosch-home.com/us) or call 1-800-944-2904**

© BSH Home Appliances Corporation. All rights reserved. Bosch is a registered trademark of Robert Bosch GmbH.

T.S



**800 Series, Combination Oven, 30",  
 Stainless steel  
 HBL87M53UC**



**Included accessories**  
 x oven racks /lower  
 x temperature probe /lower

**Optional accessories**  
 HEZTR301 : Telescopic Oven Rack 30"

**Bosch microwave combination ovens  
 create an all-in-one cooking center with an  
 upper microwave and a Genuine European  
 Convection oven below**

- **Home Connect:** home appliances with smart connectivity for an easier everyday life.

**Technical Data**

Cooking mode :	Microwave
Cooking method second cavity :	
3rd element convection, Convection Bake, Convection Broil, Convection Roast, Dough proving setting, Pizza setting, Small area grill, Top/bottom heating, Top heating, 1/3 bottom heat., Variable small-area grill, Warming	
Integrated Cleaning system :	No
Number of interior lights :	1
Included accessories :	
x oven racks /lower, x temperature probe	
Bake Element Wattages cavity 1 (W) :	600
Broil Element Wattages cavity 1 (W) :	1750
Convection Element Wattages cavity 1 (W) :	1700
Microwave Wattages (W) :	1000
UPC code :	825225960164
Product color :	Stainless steel
Energy source :	Electric
Watts (W) :	7975
Current (A) :	40
Volts (V) :	208-240
Frequency (Hz) :	60
Approval certificates :	CSA
Power cord length (in) :	50"
Power cord length (cm) :	127.0
Appliance Dimensions (h x w x d) (cm) :	124.4 x 75.5 x 62.2
Required cutout size (HxWxD) (in) :	48 5/8" x 28 1/2" x 23 1/2"
Overall appliance dimensions (HxWxD) (in) :	49" x 29 3/4" x 24 1/2"
Overall appliance dimensions (HxWxD) (mm) :	1244 x 755 x 622
Product packaging dimensions (HxWxD) (in) :	55 3/4" x 34" x 31 1/2"
Product packaging dimensions (HxWxD) (mm) :	1441 x 787 x 863
:	328
Net weight (kg) :	148.768
Gross weight (lbs) :	328.000
Gross weight (kg) :	148.8

T-S



**800 Series, Combination Oven, 30",  
Stainless steel  
HBL87M53UC**

**Bosch microwave combination ovens  
create an all-in-one cooking center with an  
upper microwave and a Genuine European  
Convection oven below**

**Design**

- Bosch wall ovens can be installed flush for a sleek timeless design, or proud for a more traditional look
- Touch control with SteelTouch™ buttons makes operating the oven easier
- Bosch wall ovens are compatible with most existing cutouts

**Performance**

- Lower oven's convection multi-rack mode gives uniform baking results even when using all 3 racks simultaneously
- Family or guests late to dinner? Keep food warm in the lower oven without overcooking until ready to serve by using the warm mode
- Lower oven's proof mode maintains a low temperature to proof yeast doughs for an even and faster rise compared to being left on the countertop
- Closed-door broiling prevents intense heat from escaping the lower oven - offering rich, even browning on tender cuts of meat and perfectly toasted casseroles
- Lower oven comes with 2 standard racks and 1 telescopic rack that gives easier accessibility for large or heavy dishes
- Dampened hinges softly guide the lower oven's QuietClose door shut. It's premium engineering that you'll appreciate each time you close your oven

**Efficiency**

- Download Bosch Home Connect application and control the lower wall oven with your smart phone or tablet

**Convenience**

- 1 light in the upper microwave and 2 lights in the lower oven gives visibility in the cavity so you can see the cooking progress
- Large oven window lets you monitor the cooking progress without opening the oven door to maintain a consistent oven temperature
- Keep your home safe by avoiding accidental or unsupervised use of your wall oven with the panel lock feature

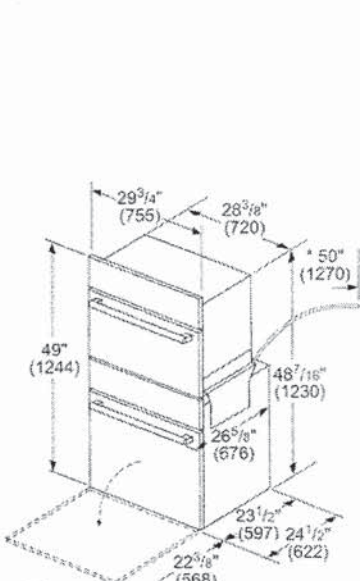
**Capacity**

- With capacities of 1.6 cu. ft upper microwave and 4.6 cu. ft. lower oven allows enough space to cook everyday meals or for a crowd

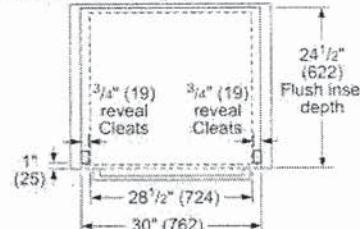




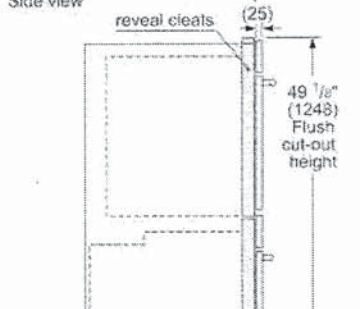
**800 Series, Combination Oven, 30",  
 Stainless steel  
 HBL87M53UC**



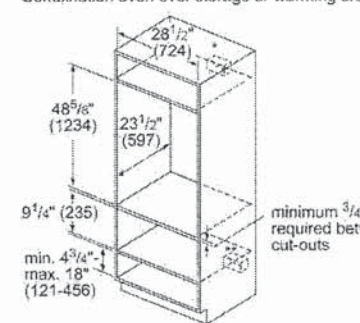
Flush installation Top view



Side view



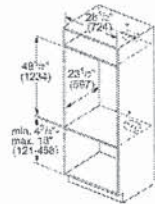
Standard Installation  
 Combination oven over storage or warming drawer



\* Wall oven junction box may be located above or to the right or left of the unit within reach of the power cable.

\*\* Electrical hook-up may be located below (depending on space) or next to the drawer within reach of the power cable.

measurements in inches (mm)

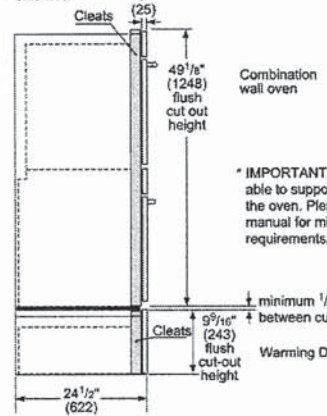


\* Junction box may be installed above, below, or to the left or right of the unit within reach of the power cable.

measurements in inches (mm)

Flush installation  
 Combination oven over storage or warming drawer

Side view



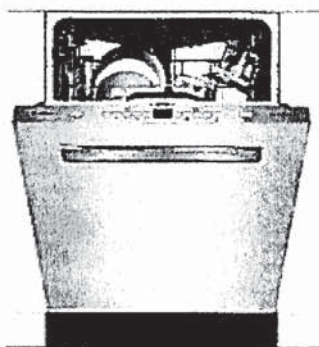
\* IMPORTANT: Base has to be able to support the weight of the oven. Please check oven manual for minimum weight requirements.

measurements in inches (mm)

T.S

## 24" Pocket Handle Dishwasher

500 Series – Stainless Steel SHPM65Z55N



**SHPM65Z55N**  
Stainless Steel

Also available in:

- White SHPM65Z52N
- Black SHPM65Z56N

The AutoAir™ drying option automatically releases the door at the end of the cycle to let moisture escape and fresh air in for drier dishes.

### Features & Benefits

44 dBA: dishwasher runs quietly so your kitchen conversations aren't interrupted.

The Flexible 3rd Rack with fold down sides adds 30% more<sup>1</sup> loading area, perfect for utensils and ramekins.

The AquaStop® leak protection system contains leaks through a precisely engineered system. If a leak occurs, the system contains it by shutting down operation and pumping out water. So you have the ultimate peace of mind whether you are away or at home.

### General Properties

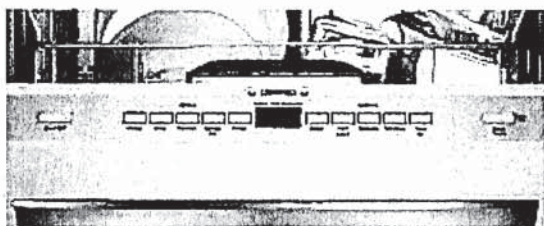
Number of wash cycles	5
Number of options	5
dBA	44
Drying system	AutoAir™
Third rack	Flexible 3rd Rack
Rack adjustability	Rackmatic®
Tub material	Stainless Steel
Control type	Buttons
Concealed water heating element	Yes
Leak protection system	24/7 AquaStop®
NSF®-certified <sup>2</sup> sanitize option	Yes
Water softener	No
Five-level wash	Yes
ChildLock	No
Special features	InfoLight®, AutoAir™ Option

### Efficiency

Water usage per cycle	3.5
Energy efficiency class	Tier 1
ENERGY STAR® qualified	Yes
Total annual energy consumption (kWh)	269
Total annual water consumption (g)	623.5

### Capacity

Number of place settings	16
--------------------------	----



### Technical Details

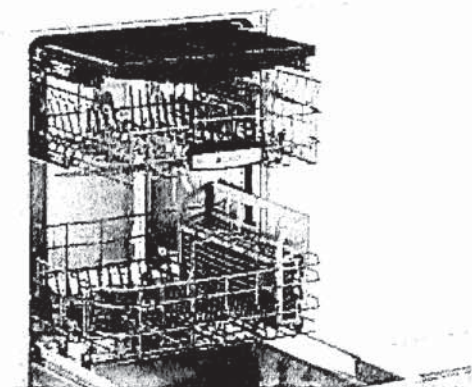
Watts (W)	1440 W
Current (A)	12 Amps
Volts (V)	120 V
Frequency (Hz)	60 Hz
Power cord full length	67"
Power cord install length from edge of unit when facing the door (in) <sup>3</sup>	Left – 45" Right – 56"
Minimum water pressure (lb/sin)	14
Length outlet hose (in)	79"

### Dimensions & Weight

Overall appliance dimensions (HxWxD) (in)	33 7/8" x 23 9/16" x 23 3/4"
Required cutout size (HxWxD) (in)	33 7/8" x 23 5/8" x 24"
Adjustable feet	Yes
Net weight (lbs)	91 lbs

### Accessories—Optional

Junction Box	SMZPCJB1UC
Bosch Dishwasher Water Supply Hose	SMZSH002UC
Drain Hose Extension Kit	SGZ1010UC
Dishwasher Accessory Kit	SMZ5000
Anti-Tarnish Silverware Cassette	SMZ5002UC
Edge Protector + Power Cord Clip Install Kit	SMZEPCC1UC



<sup>1</sup>Compared to a Bosch dishwasher with 2 racks.

<sup>2</sup>Certification to NSF/ANSI Standard 184 for residential dishwashers

<sup>3</sup>September 2020 running production change to remove adhesive routing clips for power cord. These clips and the edge protector are now included in the dishwasher accessory kit # SMZEPCC1UC

**Accessories:** To purchase Bosch accessories, cleaners & parts please visit [www.bosch-home.com/us/store](http://www.bosch-home.com/us/store) or call 1-800-944-2904 (Mon to Fri 5 am to 6 pm PST, Sat 6 am to 3 pm PST)

**Notes:** All height, width and depth dimensions are shown in inches. BSH reserves the absolute and unrestricted right to change product materials and specifications, at any time, without notice. Consult the product's installation instructions for final dimensional data and other details prior to making cutout.

**Warranties:** Please see Use & Care manual or Bosch website for statement of limited warranty.

For more information on our entire line of products, go to [www.bosch-home.com/us](http://www.bosch-home.com/us) or call 1-800-944-2904

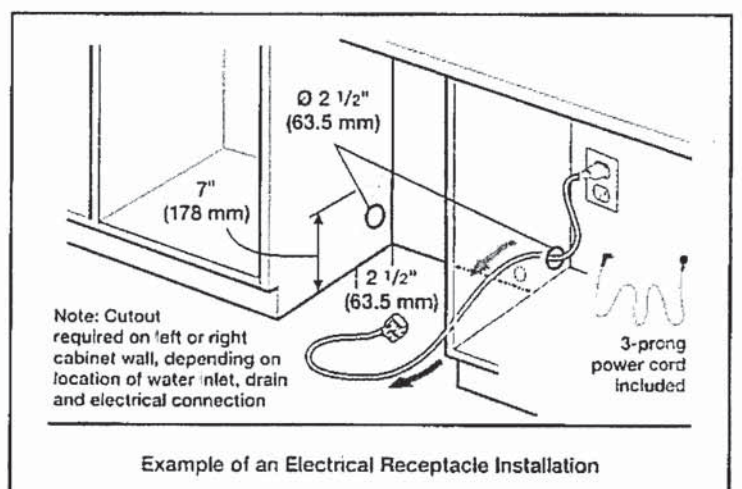
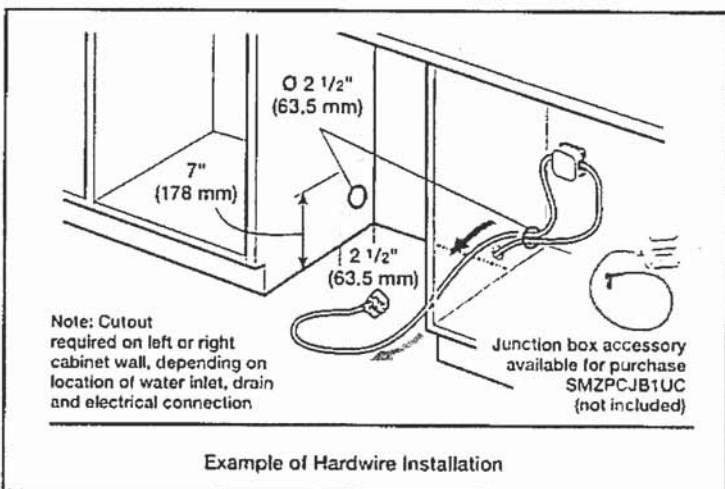
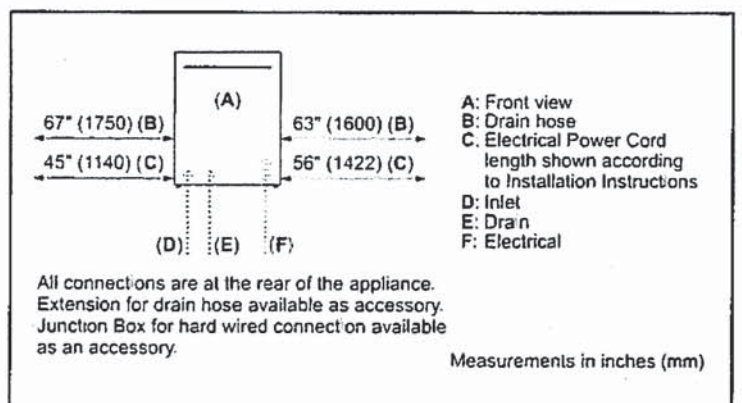
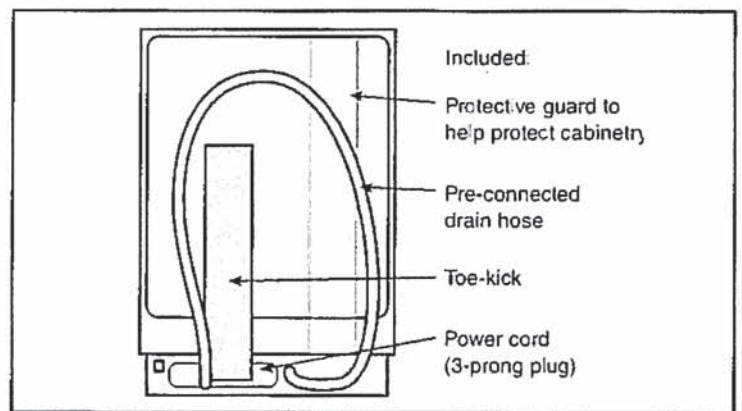
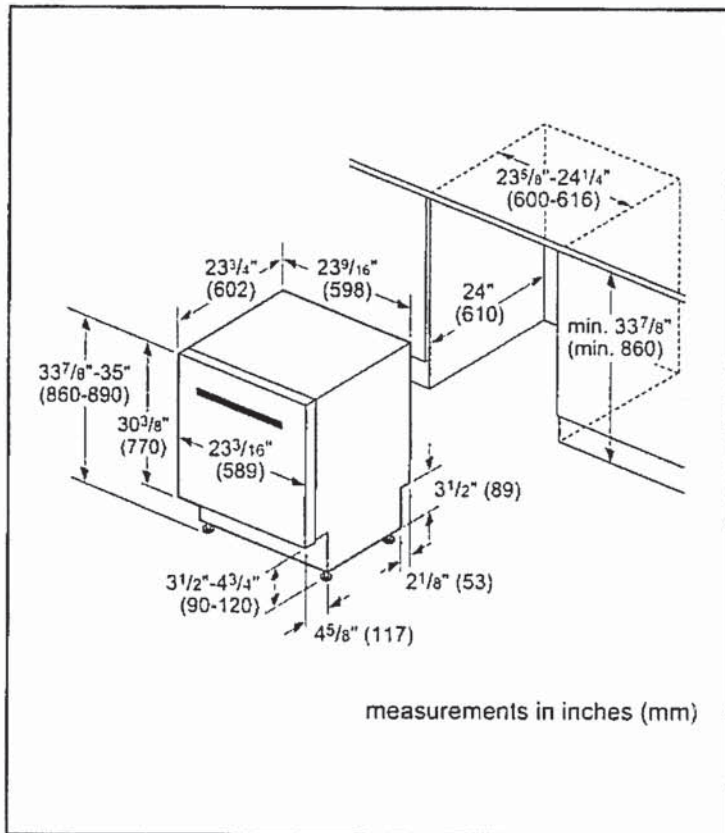
© BSH Home Appliances Corporation. All rights reserved. Bosch is a registered trademark of Robert Bosch GmbH.

## 24" Pocket Handle Dishwasher

500 Series – Stainless Steel SHPM65Z55N



### Installation Details



**Accessories:** To purchase Bosch accessories, cleaners & parts please visit [www.bosch-home.com/us/store](http://www.bosch-home.com/us/store) or call 1-800-944-2904 (Mon to Fri 5 am to 5 pm PST, Sat 6 am to 3 pm PST)  
**Notes:** All height, width and depth dimensions are shown in inches. BSH reserves the absolute and unrestricted right to change product materials and specifications, at any time, without notice. Consult the product's installation instructions for final dimensional data and other details prior to making cutout  
**Warranties:** Please see Use & Care manual or Bosch website for statement of limited warranty  
**For more information on our entire line of products, go to [www.bosch-home.com/us](http://www.bosch-home.com/us) or call 1-800-944-2904**  
 © BSH Home Appliances Corporation. All rights reserved. Bosch is a registered trademark of Robert Bosch GmbH

## 24" Pocket Handle Dishwasher

500 Series – Stainless Steel SHPM65Z55N



### Installation Details

Note: Plumbing installations will vary - refer to local codes. Drain hose included is 79" (201 cm) and can be extended to a maximum of 155 3/4" (396 cm).

Always use the approved drain hose extension kit (SGZ1010UC).

Ensure a portion of the drain hose is raised between min. 33" (84 cm) and max. 43" (110 cm) above the cabinet floor.

**Accessories:** To purchase Bosch accessories, cleaners & parts please visit [www.bosch-home.com/us/store](http://www.bosch-home.com/us/store) or call 1-800-944-2904 (Mon to Fri 5 am to 5 pm PST, Sat 6 am to 3 pm PST).

**Notes:** All height, width and depth dimensions are shown in inches. BSH reserves the absolute and unrestricted right to change product materials and specifications, at any time, without notice. Consult the product's installation instructions for final dimensional data and other details prior to making cutout.

**Warranties:** Please see Use & Care manual or Bosch website for statement of limited warranty.

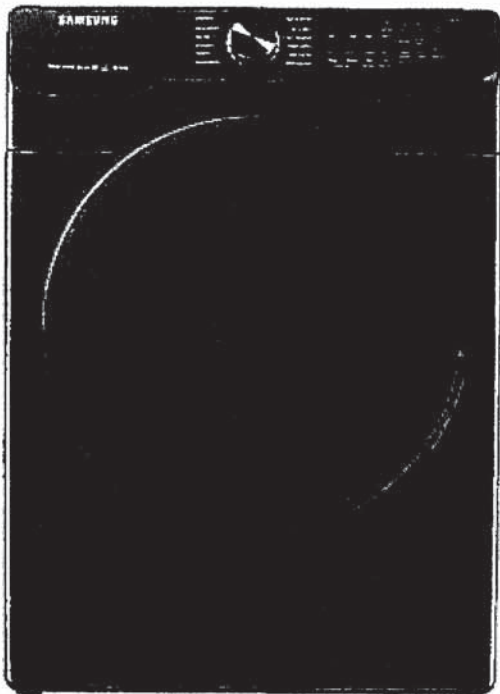
For more information on our entire line of products, go to [www.bosch-home.com/us](http://www.bosch-home.com/us) or call 1-800-944-2904

© BSH Home Appliances Corporation. All rights reserved. Bosch is a registered trademark of Robert Bosch GmbH.

## WF50T8500AV

## SAMSUNG

Samsung Smart Front Load Washer with Super Speed  
5.8 cu.ft. capacity IEC.



### Signature Features

#### Super Speed

Wash a full load of laundry in just 30 minutes<sup>1</sup>, without sacrificing cleaning performance.

#### Bixby Enabled

Wi-Fi connected so you can remotely start or stop your cycle, schedule laundry on your time, receive end of cycle alerts, and do more right from your smartphone.<sup>2</sup>

#### 5.8 Cu.Ft. Extra-large Capacity

Fewer loads means less time in the laundry room and more time for you.

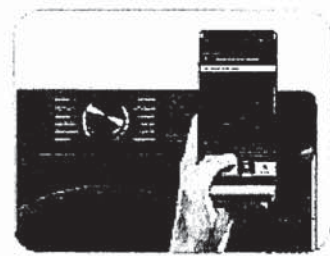
### Available Colour




Black Stainless Steel




Super Speed



Bixby Enabled 

### Features

- Bixby Enabled 
- Super Speed<sup>1</sup>
- Steam
- VRT Plus™ Technology
- Swirl Drum Design
- Self Clean+
- Internal Water Heater
- 1200 RPM Maximum Spin Speed
- Direct Drive Motor
- 12 Preset Washing Cycles
- 10 Additional Washing Options
- 5 Temperature Levels
- LED Display: Ice Blue
- 24-Hour Delay End

### Convenience

- Child Lock
- Delay End
- Dispenser Trays: Main Wash, Softener, Bleach

### Rating



ENERGY STAR® - Rated  
CEE Tier 2  
IMEF = 2.92  
IWF = 2.9

<sup>1</sup>Based on using Super Speed on a normal cycle with an 8lb load

<sup>2</sup>The Samsung SmartThings application is required and is available on Android and iOS devices. A Wi-Fi connection is required. User will be solely responsible for any consequence(s) that may result, including but not limited to any damage or harm caused by incorrect information provided by the user.

## WF50T8500AV

## SAMSUNG

Samsung Smart Front Load Washer with Super Speed  
 5.8 cu.ft. capacity IEC.

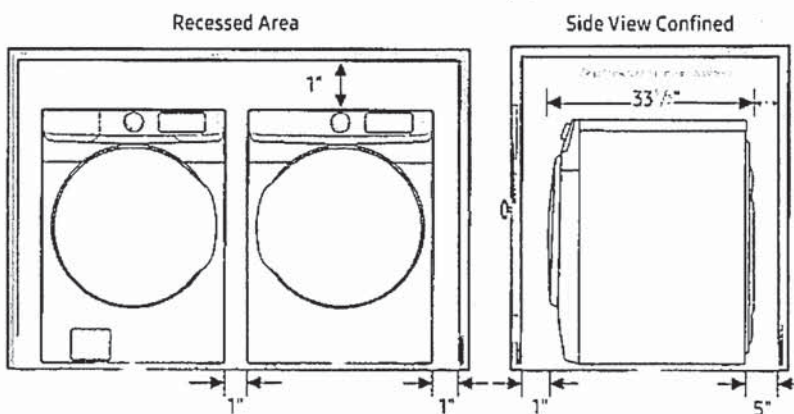
### Installation Specifications

If the washer and dryer are installed together or the dryer alone, the closet front must have two unobstructed air openings for a combined minimum total area of 72-inch<sup>2</sup> (see stacked build below) Your washer alone does not require a specific air opening

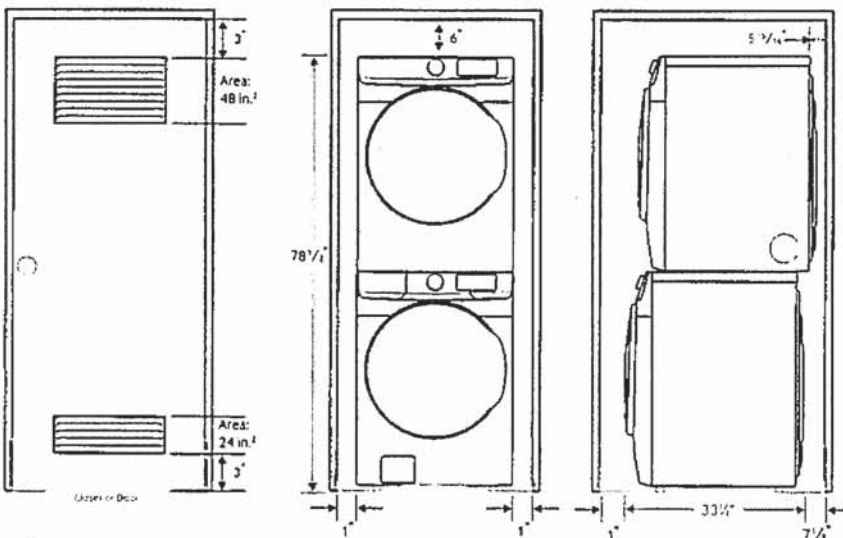
\* Required spacing (External exhaust elbow may require additional space)

#### 1. Alcove or closet installation

Minimum Clearance for Closet and Alcove Installations. X

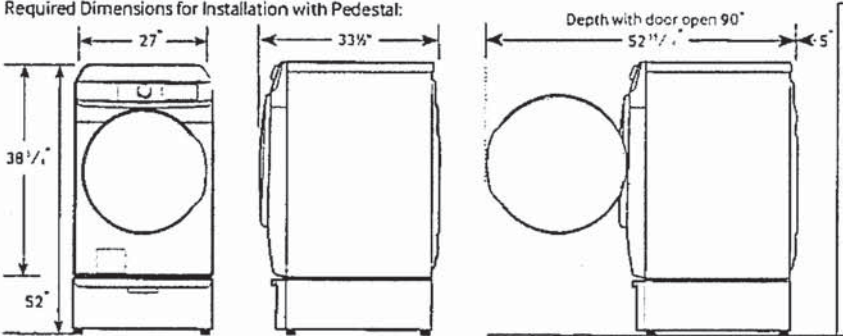


#### 2. With stacked washer and dryer



### Dimensions

Required Dimensions for Installation with Pedestal:



#### 12 Preset Washing Cycles:

Normal, Heavy Duty, Bedding, Quick Wash, Permanent Press, Delicates, Whites, Sanitize, Activewear, Rinse and Spin, Self Clean.

#### 10 Additional Washing Options:

Presoak, Steam, Delay End, Smart Control, Super Speed, Drum Light, Alarm Off, Child Lock, Smart Care, Spin Only

#### 5 Temperature Levels:

Hot, Warmer, Warm, Cool, Cold

#### 5 Spin Speeds:

High, Medium High, Medium, Low, No Spin

#### 5 Soil Levels:

Heavy, Medium Heavy, Normal, Medium Low, Light

#### Dispenser Trays:

Main Wash, Softener, Bleach

#### Warranty

One (1) Year Parts and Labor

Ten (10) Years Direct Drive Motor (Part Only)

#### Product Dimensions & Weight (WxHxD)

Dimensions: 27" x 38 7/10" x 33 1/2"

Weight: 214 lbs

#### Shipping Dimensions & Weight (WxHxD)

Dimensions: 29 3/8" x 42 2/5" x 35 2/5"

Weight: 218 lbs

#### Colour

Black Stainless Steel

#### Model #

WF50T8500AV

#### UPC Code

887276398754

#### Matching Dryer

Black Stainless Steel

DVE50R8500V

887276406893

#### Pedestal

Black Stainless Steel WE402NV

887276310145

#### Accessories

Stacking Kit

SKK-8K

887276344034

## DVE50R8500V

## SAMSUNG

### Samsung Smart Front Load Electric Dryer with Steam Sanitize+

7.5 cu. ft. Capacity DOE



#### Signature Features

##### Bixby Enabled

- Wi-Fi connected so you can receive end of cycle alerts, remotely start or stop your cycle, schedule laundry on your time and more, right from your smartphone.<sup>1</sup>

##### Steam Sanitize+


- The Steam Sanitize+ cycle removes 99.9% of germs and bacteria, over 95% of pollen, and kills 100% of dust mites<sup>2</sup>. Multi-Steam Technology steams away wrinkles, odors, and static.

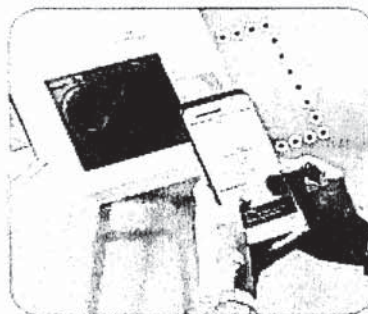
##### Sensor Dry


- Automatically optimizes the time and temperature of your drying cycle to protect your clothes from heat damage, while avoiding excess energy use.

#### Available Colors

 Fingerprint Resistant Black Stainless Steel (shown)

 White




Bixby Enabled 



Steam Sanitize+

#### Features

- Bixby Enabled 
- Steam Sanitize+
- Sensor Dry
- Vent Sensor
- ENERGY STAR<sup>®</sup> Certified
- Interior Drum Light
- Reversible Tinted Door
- 4-Way Venting
- Dual Heaters
- Stainless Steel Drum
- ADA Compliant<sup>3</sup>
- Accessibility (AUI, Braille)
- Drying Rack

- 12 Preset Drying Cycles
- 10 Additional Drying Options
- 5 Temperature Levels
- LED Display: Ice Blue

#### Convenience

- Child Lock
- Lint Filter Indicator



ADA Compliant<sup>3</sup>

#### Rating



ENERGY STAR<sup>®</sup>-rated  
608 kWh/yr

<sup>1</sup>The Samsung SmartThings application is required and is available on Android and iOS devices. A Wi-Fi connection is required. User will be solely responsible for any consequence(s) that may result, including but not limited to any damage or harm caused by incorrect information provided by the user. Only monitoring is allowed for Gas dryer for safety reasons.

<sup>2</sup>Based on internal testing and independently verified by Intertek. Individual results may vary.

<sup>3</sup>ADA Compliant when using a Samsung 27" wide riser (WE272NV or WE272NW).

## DVE50R8500V

## SAMSUNG

### Samsung Smart Front Load Electric Dryer with Steam Sanitize+

7.5 cu. ft. Capacity DOE

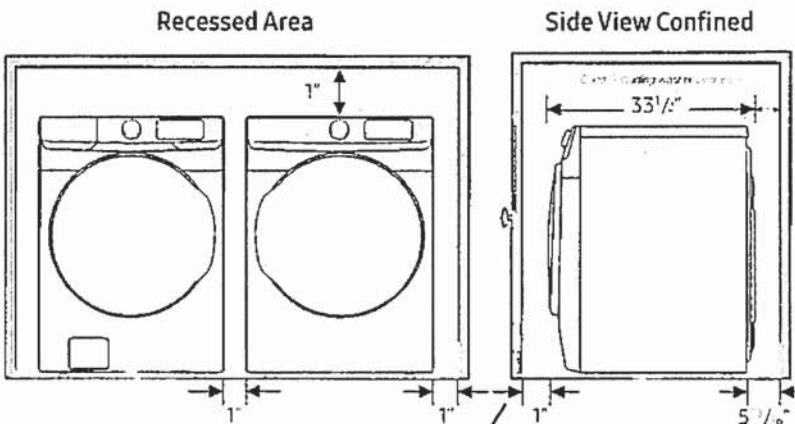
#### Installation Specifications

If the washer and dryer are installed together or the dryer alone, the closet front must have two unobstructed air openings for a combined minimum total area of 72-inch<sup>2</sup> (see stacked build below). Your washer alone does not require a specific air opening.

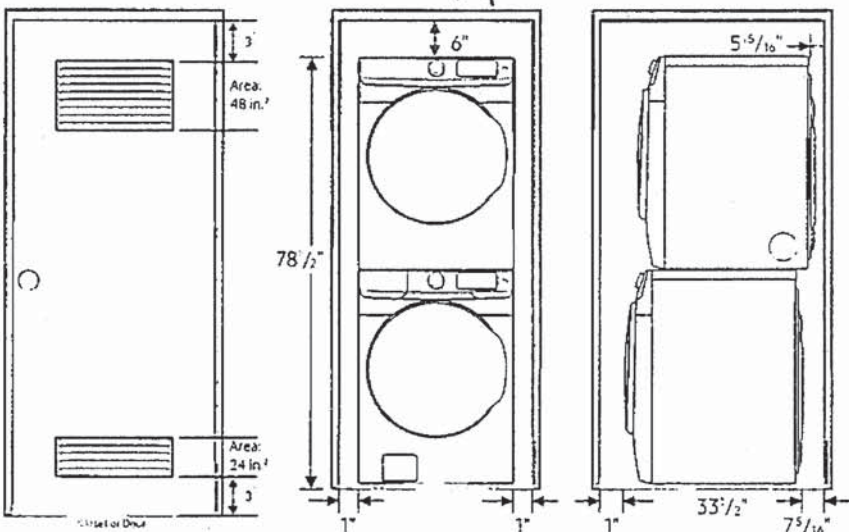
\*Required spacing (External exhaust elbow may require additional space)

#### 1. Alcove or closet installation

Minimum Clearance for Closet and Alcove Installations:

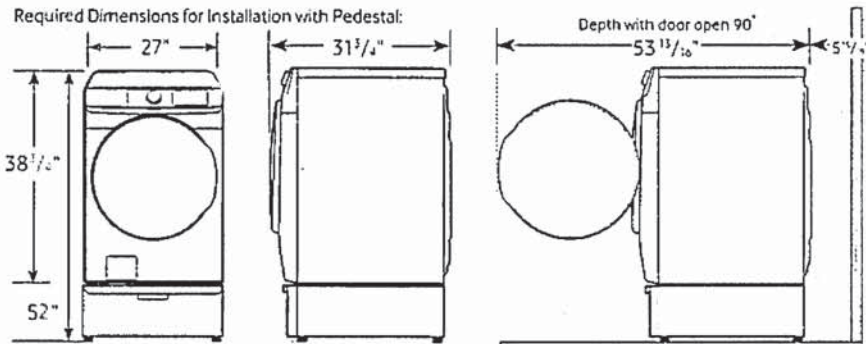


#### 2. With stacked washer and dryer



#### Dimensions

Required Dimensions for Installation with Pedestal:



#### 4-Way Venting

#### 12 Preset Drying Cycles:

Refresh, Steam Sanitize+, Normal, Heavy Duty, Permanent Press, Active Wear, Bedding, Delicates, Time Dry, Air Fluff, Quick Dry, Downloaded

#### 10 Additional Drying Options:

Damp Alert, Wrinkle Prevent, Smart Control, Adjust Time (Up), Adjust Time (Down), Eco Dry, Drum Light, Child Lock, Smart Care, Alarm Off

#### 5 Temperature Levels:

High, Medium High, Medium, Medium Low, Low

#### 5 Dry Levels:

More Dry, Normal-More Dry, Normal Dry, Normal-Less Dry, Less Dry

#### Warranty

One (1) Year Parts and Labor

#### Product Dimensions & Weight (WxHxD)

Dimensions: 27" x 38 3/4" x 31 3/4"

Weight: 123 lbs

#### Shipping Dimensions & Weight (WxHxD)

Dimensions: 29 3/8" x 42 9/16" x 34 1/16"

Weight: 130 lbs

Electric	Model #	UPC Code
Fingerprint Resistant Black Stainless Steel	DVE50R8500V	887276348803
White	DVE50R8500W	887276348810
Gas		
Fingerprint Resistant Black Stainless Steel	DVG50R8500V	887276348827
White	DVG50R8500W	887276348384
Matching Washer		
Fingerprint Resistant Black Stainless Steel	WF50R8500AV	887276348063
White	WF50R8500AW	887276348070
Pedestal		
Fingerprint Resistant Black Stainless Steel	WE402NV	887276310145
White	WE402NW	887276310152
Accessories		
Stacking Kit	SKK-8K	887276344034
Vent Kit	DV-2A	887276146416