

LOT 139 Model: 25-2202 B THE EMERALD

PURCHASERS: MODEL HOME

VENDOR: Heathwood Homes (Williamsburg) Limited

COFFERED CEILING IN DINING ROOM
WAFFLE CEILING (INCLUDES COFFERED) IN GREAT ROOM

- WOB
- DECK

UPGRADED / MODIFIED ELEVATION

- CORNER UPGRADE
- REAR UPGRADE

CEILING UPGRADE - SMOOTH

- MAIN FLOOR (SITE STD)
- SECOND FLOOR
- FINISHED LOWER LEVEL

ADDITIONAL ROUGH-INS

- 200 AMP SERVICE (SITE STD)
- WET BAR ROUGH-IN
- HUMIDIFIER
- AIR CONDITIONING (SITE STD)

GAS ROUGH-IN

- STOVE
- DRYER
- BBQ
- ADDITIONAL GAS FIREPLACE

KITCHEN HOODFAN VENTING SIZE

- 6 IN ROUND DUCT
- 7 IN ROUND DUCT

FULL LOWER LEVEL STAIRS	All Oak
UPPER LOWER LEVEL STAIRS	N/A
LOWER LOWER LEVEL STAIRS	N/A
MAIN STAIRS	All Oak

Date Purchaser:

Date Decor Consultant:

Date Purchaser:

Date Approved Heathwood Homes (Williamsburg) Limited

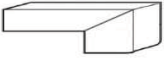
Locked Date:

Customer Colours

Inventory Home_139/
 Project: Williamsburg Green
 Unit: 139, Phase: 1
 Model: 25-2202 B The Emerald

Locked:
 Closed:

Kitchen

Cabinet Colour/Style	6844	Classic Plus-LANCASTER-MACADEMIA-PAINT MDF ***UPG***
Island Cabinet Colour/Style	6844	Classic Plus-LANCASTER-MACADEMIA-PAINT MDF ***UPG***
Cabinet Hardware	9153	12805 BN NICKEL-HARDWARE ***2***
Countertop	7887	Group 6-Quartz- Caesarstone-VANILLA NOIR # 5100-3/4 inch with built-up edge ***6***
Island Countertop	7887	Group 6-Quartz- Caesarstone-VANILLA NOIR # 5100-3/4 inch with built-up edge ***6***
Countertop Edge	4005	DOUBLE MITRE 1 1/2 INCH ***UPG***
		
Sink	9557	BLANCO SILGRANIT PRECIS U SUPER SINGLE 400890 PG 38 ANTHRACITE (min cabinet 36 in)
HoodFan	8894	SCB51430-CYCLONE 30 inch CANOPY CHIMNEY PG 51-52 HOODFAN-STAINLESS STEEL *****
Opt. Backsplash	8106	OD.ON.TGR.02.HEX.MT-ONTARIO HEXAGON MATTE-TENDER GREY ***UG2B4***
Opt. Backsplash Grout	7705	Grout-(01) Alabaster ***UPG***
Opt. Backsplash Tile Pattern	3120	VERTICAL HEX ***STD***



- Purchasers have been advised: standard fridge opening is a minimum 37 3/8 x 73 3/8 inches. Ice Waterline Rough-In is included.

- Standard stove opening is 30 inches and standard dishwasher opening is 24 inches. Any gas stove will require backsplash or stainless steel backing to avoid fire hazards.

- Purchasers acknowledge: Heathwood Homes and its contractors will not be responsible for any kitchen cabinet changes due to appliances dimension changes after sign-off.

Comment

Kitchen/Breakfast

Flooring	9064	White Oak UVF-Vintage Northern Solid Sawn : White Oak : Sculpted UVF-APOLLO-3/4 inch x 5 inch ***10***
Floor Tile Grout	1111	N/A *****
Floor Tile Pattern	1111	N/A *****

Comment

Foyer

Flooring	9427	OV.ET.DGR.1224.PL-Eterna Polished-Dark Grey-12 x 24 S 2 UPG 5 ***UPG***
----------	------	--

Customer Colours

Inventory Home_139/
 Project: Williamsburg Green
 Unit: 139, Phase: 1
 Model: 25-2202 B The Emerald

Created: 7/11/2023 09:59:26

Locked:

Closed:

Floor Tile Grout	2221	Grout-(47) Charcoal ***UPG***
Floor Tile Pattern	3040	FRONT TO BACK ***STD***

Comment

Powder Room

Flooring	9427	OV.ET.DGR.1224.PL-Eterna Polished-Dark Grey-12 x 24 UPG 5 ***UPG***	S 2
Floor Tile Grout	2221	Grout-(47) Charcoal ***UPG***	
Floor Tile Pattern	3040	FRONT TO BACK ***STD***	

Plumbing Fixture (Colour)	1737	Plumbing Fixtures-WHITE ***STD***
Opt. Vanity	1111	N/A *****
Opt. Vanty Hardware	1111	N/A *****
Opt. Vanity countertop	1111	N/A *****

Comment

Landing in front of Garage

Floor Tile	9427	OV.ET.DGR.1224.PL-Eterna Polished-Dark Grey-12 x 24 UPG 5 ***UPG***	S 2
Floor Tile Grout	2221	Grout-(47) Charcoal ***UPG***	
Floor Tile Pattern	3040	FRONT TO BACK ***STD***	

Comment

Dining Room

Flooring	9064	White Oak UVF-Vintage Northern Solid Sawn : White Oak : Sculpted UVF-APOLLO-3/4 inch x 5 inch ***2***
----------	------	--

Comment

Great Room

Flooring	9064	White Oak UVF-Vintage Northern Solid Sawn : White Oak :
----------	------	---

Customer Colours

Inventory Home_139/
 Project: Williamsburg Green
 Unit: 139, Phase: 1
 Model: 25-2202 B The Emerald

Locked:
 Closed:

Flooring	9064	Sculpted UVF-APOLLO-3/4 inch x 5 inch ***2***
Comment		

Great Room Fireplace

Type	8869	Majestic MERC32 ***STD***
Mantle	8891	NF-17-Paint Grade Mantle- Cabinet (Per Plan)-WHITE ***STD***
Opt. Surround	1111	N/A *****

PG 36

- Purchasers have been advised: heat from the FP can damage TV above a FP and items placed on mantle.

- Heathwood and its contractors will not be liable for any damage on items placed and / or installed above a FP after closing.

Comment	
---------	--

Main Hall

Flooring	9064	White Oak UVF-Vintage Northern Solid Sawn : White Oak : Sculpted UVF-APOLLO-3/4 inch x 5 inch ***10***
----------	------	--

Comment	
---------	--

Upper Hall

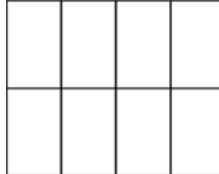
Flooring	9064	White Oak UVF-Vintage Northern Solid Sawn : White Oak : Sculpted UVF-APOLLO-3/4 inch x 5 inch ***5***
----------	------	---

Comment	
---------	--

Laundry Room

Floor Tile	8921	OV.CH.GRY.1224-Chambray-Grey-12 x 24 See Tile Direction on Sketch Page ***2***
Floor Tile Grout	2225	Grout-(27) Silver ***STD***
Floor Tile Pattern	3040	FRONT TO BACK ***STD***

S 4



Opt. Cabinet Colour/Style - Uppers	9529	Classic I-TRINITY PM LUMMIA-PM NORTHWIND 771 ***UPG***
Opt. Cabinet Hardware - Uppers	9153	12805 BN NICKEL-HARDWARE ***2***

Principal Bedroom and Walk-in Closets

Flooring	9064	White Oak UVF-Vintage Northern Solid Sawn : White Oak : Sculpted UVF-APOLLO-3/4 inch x 5 inch ***5***
----------	------	---

Comment	
---------	--

Inventory Home_139/
 Project: Williamsburg Green
 Unit: 139, Phase: 1
 Model: 25-2202 B The Emerald

Locked:
 Closed:

Bedroom 2

Flooring 9064 White Oak UVF-Vintage Northern Solid Sawn : White Oak :
 Sculpted UVF-APOLLO-3/4 inch x 5 inch ***5***

Comment

Bedroom 3

Flooring 9064 White Oak UVF-Vintage Northern Solid Sawn : White Oak :
 Sculpted UVF-APOLLO-3/4 inch x 5 inch ***5***

Comment

Bedroom 4

Flooring 9064 White Oak UVF-Vintage Northern Solid Sawn : White Oak :
 Sculpted UVF-APOLLO-3/4 inch x 5 inch ***5***

Comment

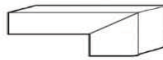
Principal Ensuite

Cabinet Colour/Style 9183 Classic Plus-BOSTON-ORCHID-PAINT MDF ***UPG***

Cabinet Hardware 9153 12805 BN NICKEL-HARDWARE ***2***

Countertop 9479 Group 6-Quartz-Caesarstone-LAYALITE 5121-3/4 inch
 with mitered edge ***UPG***

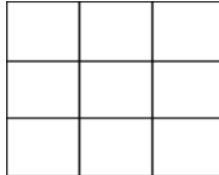
Countertop Edge 4005 DOUBLE MITRE 1 1/2 INCH ***UPG***



Floor Tile 9428 OV.ET.DGR.2424.PL-Eterna Polished-Dark Grey-24 x 24
 UPG 6 ***UPG***

Floor Tile Grout 2221 Grout-(47) Charcoal ***UPG***

Floor Tile Pattern 3000 STANDARD SQUARE ***STD***



Shower Wall Tile 9086 OV.ET.MGR.02.HEX.MT Eterna Series Medium Grey 2
 HEX Matte***7***

Shower Wall Tile Grout 2220 Grout-Sahara Beige / Desert ***UPG***

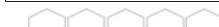
Shower Wall Tile Pattern 3120 VERTICAL HEX ***STD***



Shower Floor Tile 9086 OV.ET.MGR.02.HEX.MT Eterna Series Medium Grey 2
 HEX Matte***7***

Shower Floor Tile Grout 2220 Grout-Sahara Beige / Desert ***UPG***

Shower Floor Tile Pattern 3120 VERTICAL HEX ***STD***



Customer Colours

Inventory Home_139/
 Project: Williamsburg Green
 Unit: 139, Phase: 1
 Model: 25-2202 B The Emerald

Created: 7/11/2023 09:59:26

Locked:

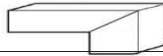
Closed:



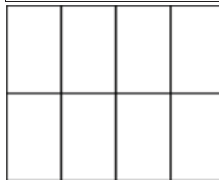
Shower Jamb(s) and Sill(s)	8923	Shower Jamb / Sill-Thassos White ***STD***
Plumbing Fixture (colour)	1737	Plumbing Fixtures-WHITE ***STD***
Comment		

Main Bath

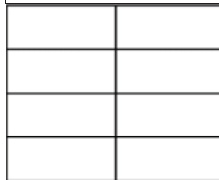
Cabinet Colour/Style	9529	Classic I-TRINITY PM LUMMIA-PM NORTHWIND 771 ***UPG***
Cabinet Hardware	9153	12805 BN NICKEL-HARDWARE ***2***
Countertop	9476	Group 4-Quartz-Caesarstone-RIVERLET 1001-3/4 inch with mitered edge ***UPG***
Countertop Edge	4007	GROUP 2 TO 7 - DOUBLE MITRE 1 1/2 INCH ***3***



Floor Tile	8921	OV.CH.GRY.1224-Chambray-Grey-12 x 24 See Tile Direction on Sketch Page ***2***	S 4
Floor Tile Grout	2225	Grout-(27) Silver ***STD***	
Floor Tile Pattern	3040	FRONT TO BACK ***STD***	



Wall Tile	9460	SO.SB.DRK.0312.GL-Shadebrick-Dark (Anthracite) Glossy-3 x 12 UPG 3 ***UPG***
Wall Tile Grout	2221	Grout-(47) Charcoal ***UPG***
Wall Tile Pattern	3070	HORIZONTAL STACKED ***STD***



Opt. Shower Floor Tile	1111	N/A *****
Opt. Shower Floor Tile Grout	1111	N/A *****
Opt. Shower Floor Tile Pattern	1111	N/A *****

Opt. Shower Jamb(s) and Sill(s)	1111	N/A *****
Plumbing Fixture (colour)	1737	Plumbing Fixtures-WHITE ***STD***
Comment		

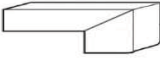
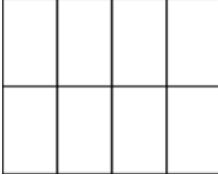
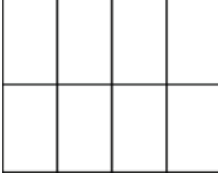
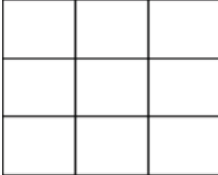
Ensuite 4

Cabinet Colour/Style	9120	VIKING III-GEORGIAN-ORCHID 3DL***STD***
----------------------	------	---

Customer Colours

Inventory Home_139/
 Project: Williamsburg Green
 Unit: 139, Phase: 1
 Model: 25-2202 B The Emerald

Created: 7/11/2023 09:59:26
 Locked:
 Closed:

Cabinet Hardware	9153	12805 BN NICKEL-HARDWARE ***2***
Countertop	9032	Group 5-Quartz-Caesarstone-FROZEN TERRA #4601 -3/4 inch ***5***
Countertop Edge	4007	GROUP 2 TO 7 - DOUBLE MITRE 1 1/2 INCH ***3***
		
Floor Tile	8913	UN.BL.BIA.1224-Biel-Bianco (White)-12 x 24 See Tile Direction on Sketch Page ***2***
		S 4
Floor Tile Grout	7705	Grout-Alabaster / Bone ***UPG***
Floor Tile Pattern	3040	FRONT TO BACK ***STD***
		
Shower Wall Tile	9469	KD.OC.PRL.2,5 X 10-Oceani Series-Pearl Glossy-2,5 x 10 UPG 3 ***UPG***
Shower Wall Tile Grout	7705	Grout-(01) Alabaster ***UPG***
Shower Wall Tile Pattern	3090	VERTICAL STACKED ***STD***
		
Shower Floor Tile	8655	OD.QC.ARW.0202.FS-Quebec Series Unglazed Mosaic-Arctic White FS-1.89 x 1.89 ***1***
Shower Floor Tile Grout	7705	Grout-Alabaster / Bone ***UPG***
Shower Floor Tile Pattern	3000	STANDARD SQUARE ***STD***
		
Shower Jamb(s) and Sill(s)	8923	Shower Jamb / Sill-Thassos White ***STD***
Plumbing Fixture (colour)	1737	Plumbing Fixtures-WHITE ***STD***
Comment		

Lower Level Recreation Room

Flooring	9565	EW-23007-Torly's Everwood Premier-Sandy Ridge-5/16 in x 4-7/8 in Laminate
Comment	DIMPLEX 33" PF3033HL ELECTRIC FIREPLACE WITH NF-17 CABINET WHITE PAINT GRADE MANTEL STANDARD AS PER PLAN	

PG 37

Lower Level Bathroom

Cabinet Colour/Style	9529	Classic I-TRINITY PM LUMMIA-PM NORTHWIND 771 ***UPG***
Cabinet Hardware	9153	12805 BN NICKEL-HARDWARE ***2***
Countertop	9476	Group 4-Quartz-Caesarstone-RIVERLET 1001-3/4 inch with mitered edge ***UPG***
Countertop Edge	4007	GROUP 2 TO 7 - DOUBLE MITRE 1 1/2 INCH ***3***

Customer Colours

Inventory Home_139/
 Project: Williamsburg Green
 Unit: 139, Phase: 1
 Model: 25-2202 B The Emerald

Created: 7/11/2023 09:59:26

Locked:

Closed:



Floor Tile 8921 OV.CH.GRY.1224-Chambray-Grey-12 x 24 See Tile Direction on Sketch Page ***2*** S 1

Floor Tile Grout 2225 Grout-(27) Silver ***STD***

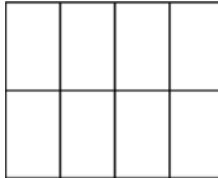
Floor Tile Pattern 3040 FRONT TO BACK ***STD***



Shower Wall Tile 9460 SO.SB.DRK.0312.GL-Shadebrick-Dark (Anthracite) Glossy-3 x 12 UPG 3 ***UPG***

Shower Wall Tile Grout 2221 Grout-(47) Charcoal ***UPG***

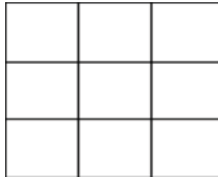
Shower Wall Tile Pattern 3090 VERTICAL STACKED ***STD***



Shower Floor Tile 8665 OD.ON.TPE.0202.MT.N-Ontario Series Mosaic-Taupe Matte-2 x 2 ***1***

Shower Floor Tile Grout 2220 Grout-Sahara Beige / Desert ***UPG***

Shower Floor Tile Pattern 3000 STANDARD SQUARE ***STD***



Shower Jamb(s) and Sill(s) 8923 Shower Jamb / Sill-Thassos White ***STD***

Plumbing Fixture (colour) 1737 Plumbing Fixtures-WHITE ***STD***

Comment

Main Stairs

Type 1714 Oak Stairs ***STD MAIN STAIRS***

Colour 9785 Apollo STAIN TO COMPLIMENT HARDWOOD AND WILL VARY FROM FLOORING ***99***

Handrail/Pickets/Posts Type 7652 1 5/16 inch Square pickets with 3 1/2 Square/Cap Post(s)-ALL OAK ***STD***

Handrail/Pickets/Posts Colour 1728 Oak Grade-Stain handrail,oak pickets,stringers,treads,rises

Custom Stain/Paint 1111 N/A *****

Landing(s) 9064 White Oak UVF-Vintage Northern Solid Sawn : White Oak : Sculpted UVF-APOLLO-3/4 inch x 5 inch ***2***

Opt. Carpet Runner 1111 N/A *****

Comment

Lower Level Stairs

Type 1712 Oak Stairs ***1 BASEMENT STAIRS***

Customer Colours

Inventory Home_139/
 Project: Williamsburg Green
 Unit: 139, Phase: 1
 Model: 25-2202 B The Emerald

Created: 7/11/2023 09:59:25

Locked:

Closed:

Colour	9785	Apollo STAIN TO COMPLIMENT HARDWOOD AND WILL VARY FROM FLOORING ***99***
Handrail/Pickets/Posts Type	9119	Handrail only on closed walls (one or two sides per building code) ***STD***
Handrail/Pickets/Posts Colour	1728	Oak Grade-Stain handrail,oak pickets,stringers,treads,risers
Custom Stain/Paint	1111	N/A *****
Landing(s)	1111	N/A *****
Opt. Carpet Runner	1111	N/A *****
Comment		

Throughout

Switches and Plug	5796	Decora White Switches and Plugs ***STD***
Thresholds	2232	Metal Thresholds ***STD***
Underpad	1078	Underpad ***NA***
Trim Size	8705	4 1/4 Baseboard and 2 3/4 Casings ***STD***
Trim - Paint Colour	1716	Trim-WHITE ***STD***
Walls - Paint Colour	1717	22-Wall-WARM GREY ***STD***
Comment		

Purchaser: _____
 Inventory Home_139 Date Decor Consultant Date

Purchaser: _____
 _____ Date Williamsburg Green Date Approved



CONSTRUCTION SUMMARY

Lot: 139
Model: 25-2202 B The Emerald
Project/Phase: Williamsburg Green / 1

ALUMINUM

Invoice	Qty.	Description
1518	12	-- ELECTRICAL - 4 INCH EXTERIOR POTLIGHT IN SOFFIT (120 VOLT NON-INSULATED) MODEL #2550WH
12Jul23 ** NoCat		ALUMINUM-Provide soffit cutout to accommodate potlight(s) INSTALL 3 X FRONT ELEVATION / 4 X SIDE ELEVATION / 3 X GARAGE SIDE ELEVATION / 2 X REAR ELEVATION SEE SKETCH # 'S 6 , 7 AND 8

APPLIANCES

Invoice	Qty.	Description
1518	1	KITCHEN - KITCHEN - SUPPLY AND INSTALL WHIRLPOOL STAINLESS STEEL: 20 CU FT FRENCH DOOR FRIDGE WRF540CWH /30" ELECTRIC STOVE YWEE515S0LI24" 53dBA FRONT CONTROL DISHWASHER WDF540PAD (AS PER APPLIANCE PACKAGE) AND SHARP 24" MICROWAVE DRAWER SMD2477ASC
12Jul23 NoCat		ON CONSIGNMENT FOR MODEL HOME PURPOSES SEE SPECS
1518	1	LAUNDRY ROOM - LAUNDRY ROOM - SUPPLY LG WASHER/DRYER IN GRAPHITE STEEL FINISH ON CONSIGNMENT FOR MODEL HOME: LG WASHER MODEL WM3600H_A / LG DRYER MODEL DLE3600 - SEE SPECS
12Jul23 NoCat		
1518	1	KITCHEN - KITCHEN - APPLIANCES - CYCLONE 30 INCH WALL MOUNT CHIMNEY HOOD SS - SCB51430
12Jul23 NoCat		CABINETRY-delete stove uppers; ELECTRICAL-delete std range hood; HEATING/AIR CONDITIONING-Duct change to 6 in

CABINETRY

Invoice	Qty.	Description
1518	1	KITCHEN - KITCHEN - APPLIANCES - CYCLONE 30 INCH WALL MOUNT CHIMNEY HOOD SS - SCB51430
12Jul23 ** NoCat		CABINETRY-delete stove uppers; ELECTRICAL-delete std range hood; HEATING/AIR CONDITIONING-Duct change to 6 in
1518	1	KITCHEN - KITCHEN - CABINETRY - OPT LIGHT VALANCE (INCLUDE LIGHTING) - KITCHEN (ALL DOOR STYLES) -UPG
12Jul23 NoCat		ELECTRICAL-Complete Kitchen valance light including switch (Luminiz LED slimline strip light)
1518	1	KITCHEN - KITCHEN - G02-Upgrade hardware for kitchen in a SINGLE or DETACHED model (stacked upper hardware is an additional charge see line G04 if applicable) Classic
12Jul23 NoCat		UPGRADE 2 BOARD
1518	1	KITCHEN - KITCHEN - B1 O-Pots and pans drawers (width min. 60cm/max. 90cm) (size subject to floor plan) Classic
12Jul23 NoCat		SEE SKETCH # 3
1518	1	LAUNDRY ROOM - LAUNDRY ROOM - CABINETRY - OPT. LAUNDRY UPPERS - CLASSIC 1- UPG
12Jul23 NoCat		SKETCH # 4 AND 5
1518	1	MAIN BATHROOM - MAIN BATHROOM - CABINETRY - SHARED BATH - CLASSIC I - UPG
12Jul23 NoCat		



CONSTRUCTION SUMMARY

Lot: 139
Model: 25-2202 B The Emerald
Project/Phase: Williamsburg Green / 1

CABINETRY

Invoice	Qty.	Description
1518 12Jul23 NoCat	1	MASTER ENSUITE - MASTER ENSUITE - CABINETRY - ENSUITE - CLASSIC PLUS - UPG
1518 12Jul23 NoCat	1	FINISHED BASEMENT BATHROOM - FINISHED BASEMENT BATHROOM - CABINETRY - OPT. BASEMENT BATH - CLASSIC I - UPG
1518 12Jul23 NoCat	2	-- G05-Upgrade hardware for double sink vanity bathrooms and laundry rooms Classic U/G 2 - 12805 BN FOR MASTER ENSUITE AND OPT. LAUNDRY UPPERS
1518 12Jul23 NoCat	1	MASTER ENSUITE - MASTER ENSUITE - D04-Increase vanity to kitchen height greater than 3 Feet (90cm high,maintains vanity depth) Classic SKETCH # 4 AND 5
1518 12Jul23 NoCat	3	-- G04-Cabinet hardware upgrade I display board-Per Bathroom Classic U/G 212805 BN FOR MAIN BATH, ENSUITE 4 AND FINISHED BASEMENT BATHROOMS
1518 12Jul23 NoCat	2	MAIN BATHROOM - MAIN BATHROOM - B07-Top drawer price (per drawer) (Meta box standard levels 1-7, Tandembox standard levels 8-13) Classic 2 X TOP DRAWERS FOR MAIN BATHROOM VANITY SKETCH # 4 AND 5
1518 12Jul23 NoCat	1	KITCHEN - KITCHEN - H36-Base cabinet for under-counter microwave/small appliance with trim kit with drawer below (supply specs) Classic SKETCH # 3
1518 12Jul23 ** NoCat	1	ENSUITE 4 - ENSUITE 4 - GRANITE - COUNTERTOP WITH 4 IN BACKSPLASH - BED 4 ENS. - GROUP 5 - UPG CABINETRY-delete std countertop; GRANITE-see upgraded faucet and undermount sink specs
1518 12Jul23 ** NoCat	1	SHARED BATHROOM - SHARED BATHROOM - GRANITE - COUNTERTOP WITH 4 IN BACKSPLASH - GROUP 4 - UPG CABINETRY-delete std countertop; GRANITE-see upgraded faucet and undermount sink specs
1518 12Jul23 ** NoCat	1	FINISHED BASEMENT BATHROOM - FINISHED BASEMENT BATHROOM - GRANITE - COUNTERTOP WITH 4IN BACKSPLASH - BASEMENT BATH - GROUP 4 - UPG CABINETRY-delete std countertop; GRANITE-see upgraded faucet and undermount sink specs
1518 12Jul23 ** NoCat	1	KITCHEN/BREAKFAST - KITCHEN/BREAKFAST - HARDWOOD - VINTAGE 5 IN WHITE OAK UVF OIL OR SCULPTED - UPG CABINETRY-Raise Cabinet; CERAMICS-Delete Std Ceramics
1518 12Jul23 ** NoCat	1	KITCHEN - KITCHEN - SUPPLY AND INSTALL BLANCO PRECIS U SUPER SINGLE SILGRANIT SINK IN ANTHRACITE MODEL 400890 CABINETRY-upgraded kitchen sink; GRANITE-upgraded kitchen sink
1518 12Jul23 NoCat	1	KITCHEN - KITCHEN - CABINETRY - KITCHEN - CLASSIC PLUS - UPG



CONSTRUCTION SUMMARY

Lot: 139
Model: 25-2202 B The Emerald
Project/Phase: Williamsburg Green / 1

CARPET

Invoice	Qty.	Description
1518 12Jul23 ** NoCat	1	BEDROOM 2 - BEDROOM - HARDWOOD - VINTAGE 5 IN WHITE OAK UVF OIL OR SCULPTED - UPG CARPET-delete std carpet; INTERIOR TRIM-supply and install quarter rounds; PAINTING-paint quarter round
1518 12Jul23 ** NoCat	1	BEDROOM 3 - BEDROOM - HARDWOOD - VINTAGE 5 IN WHITE OAK UVF OIL OR SCULPTED - UPG CARPET-delete std carpet; INTERIOR TRIM-supply and install quarter rounds; PAINTING-paint quarter round
1518 12Jul23 ** NoCat	1	BEDROOM 4 - BEDROOM - HARDWOOD - VINTAGE 5 IN WHITE OAK UVF OIL OR SCULPTED - UPG CARPET-delete std carpet; INTERIOR TRIM-supply and install quarter rounds; PAINTING-paint quarter round
1518 12Jul23 ** NoCat	1	UPPER HALL - UPPER HALL - HARDWOOD - VINTAGE 5 IN WHITE OAK UVF OIL OR SCULPTED - UPG CARPET-delete std carpet; INTERIOR TRIM-supply and install quarter rounds; PAINTING-paint quarter round
1518 12Jul23 ** NoCat	1	MASTER BEDROOM - BEDROOM - HARDWOOD - VINTAGE 5 IN WHITE OAK UVF OIL OR SCULPTED - UPG CARPET-delete std carpet; INTERIOR TRIM-supply and install quarter rounds; PAINTING-paint quarter round
1518 12Jul23 ** NoCat	1	FINISHED BASEMENT FAMILY (REC) ROOM - SUPPLY AND INSTALL TORLY S EW-23007 EVERWOOD PREMIER - ANDY RIDGE 5/16 IN X 47/8 IN LAMINATE FLOORING FLOORS TO BE LEVELLED AS REQUIRED TO ACCOMODATE LAMINATE FLOORING CARPET-delete std carpet; CONCRETE-Prepare Floor; TRIM-supply and install quarter rounds; PAINTING-paint quarter rounds



CONSTRUCTION SUMMARY

Lot: 139
Model: 25-2202 B The Emerald
Project/Phase: Williamsburg Green / 1

CERAMICS

Invoice	Qty.	Description
1518 12Jul23 NoCat	1	KITCHEN - KITCHEN - CERAMICS - ADDITIONAL BACKSPLASH DUE TO INSTALL CHIMENEY HOODFAN IN KITCHEN - KITCHEN - UPGRADE 4
1518 12Jul23 NoCat	1	KITCHEN - KITCHEN - CERAMICS - OPT. KIT. BACKSPLASH - UPG 4
1518 12Jul23 NoCat	1	KITCHEN - KITCHEN - CERAMICS - OPT. KIT. BACKSPLASH - UPG GROUT
1518 12Jul23 NoCat	1	LAUNDRY ROOM - LAUNDRY ROOM - CERAMICS - LAUNDRY ROOM - UPG 2
1518 12Jul23 NoCat	1	FOYER - FOYER - CERAMICS - FOYER FLOOR - UPG 5
1518 12Jul23 NoCat	1	FOYER - FOYER - CERAMICS - FOYER FLOOR - UPG GROUT
1518 12Jul23 NoCat	1	POWDER ROOM - POWDER ROOM - CERAMICS - POWDER FLOOR - UPG 5
1518 12Jul23 NoCat	1	POWDER ROOM - POWDER ROOM - CERAMICS - POWDER FLOOR - UPG GROUT
1518 12Jul23 NoCat	1	MUD ROOM - MUD ROOM - CERAMICS - MUD ROOM - UPG 5
1518 12Jul23 NoCat	1	MUD ROOM - MUD ROOM - CERAMICS - MUD ROOM - UPG GROUT
1518 12Jul23 NoCat	1	MASTER ENSUITE - MASTER ENSUITE - CERAMICS - MASTER SHOWER FLOOR - UPG 7
1518 12Jul23 NoCat	1	MASTER ENSUITE - MASTER ENSUITE - CERAMICS - M.ENS SHWR WALL & CEIL - UPG 7
1518 12Jul23 NoCat	1	MASTER ENSUITE - MASTER ENSUITE - CERAMICS - M.ENS SHWR WALL & CEIL - UPG GROUT



CONSTRUCTION SUMMARY

Lot: 139
Model: 25-2202 B The Emerald
Project/Phase: Williamsburg Green / 1

CERAMICS

Invoice	Qty.	Description
1518 12Jul23 NoCat	1	MASTER ENSUITE - MASTER ENSUITE - CERAMICS - MASTER SHOWER FLOOR - UPG GROUT
1518 12Jul23 NoCat	1	MASTER ENSUITE - MASTER ENSUITE - CERAMICS - M.ENS BATH FLOOR - UPG 6
1518 12Jul23 NoCat	1	MASTER ENSUITE - MASTER ENSUITE - CERAMICS - M.ENS BATH FLOOR - UPG GROUT
1518 12Jul23 NoCat	1	MAIN BATHROOM - MAIN BATHROOM - CERAMICS - SHARED BATH TUB WALL - UPG 3
1518 12Jul23 NoCat	1	MAIN BATHROOM - MAIN BATHROOM - CERAMICS - SHARED BATH TUB WALL - UPG GROUT
1518 12Jul23 NoCat	1	MAIN BATHROOM - MAIN BATHROOM - CERAMICS - SHARED BATH FLOOR - UPG 2
1518 12Jul23 NoCat	1	ENSUITE 4 - ENSUITE 4 - CERAMICS - ENS 4 BATH FLOOR - UPG 2
1518 12Jul23 NoCat	1	ENSUITE 4 - ENSUITE 4 - CERAMICS - ENS 4 BATH FLOOR - UPG GROUT
1518 12Jul23 NoCat	1	ENSUITE 4 - ENSUITE 4 - CERAMICS - ENS 4 SHWR WALL & CEIL - UPG 3
1518 12Jul23 NoCat	1	ENSUITE 4 - ENSUITE 4 - CERAMICS - ENS 4 SHWR WALL & CEIL - UPG GROUT
1518 12Jul23 NoCat	1	ENSUITE 4 - ENSUITE 4 - CERAMICS - ENS. 4 SHOWER FLOOR - UPG 1
1518 12Jul23 NoCat	1	ENSUITE 4 - ENSUITE 4 - CERAMICS - ENS. 4 SHOWER FLOOR - UPG GROUT
1518 12Jul23 NoCat	1	FINISHED BASEMENT BATHROOM - FINISHED BASEMENT BATHROOM - CERAMICS - BASEMENT BATH FLOOR - UPG 2



CONSTRUCTION SUMMARY

Lot: 139
Model: 25-2202 B The Emerald
Project/Phase: Williamsburg Green / 1

CERAMICS

Invoice	Qty.	Description
1518 12Jul23 NoCat	1	FINISHED BASEMENT BATHROOM - FINISHED BASEMENT BATHROOM - CERAMICS - BASEMENT BATH FLOOR - UPG GROUT
1518 12Jul23 NoCat	1	FINISHED BASEMENT BATHROOM - FINISHED BASEMENT BATHROOM - CERAMICS - BSMNT SHWR WALL & CEIL - UPG 3
1518 12Jul23 NoCat	1	FINISHED BASEMENT BATHROOM - FINISHED BASEMENT BATHROOM - CERAMICS - BSMNT SHWR WALL & CEIL - UPG GROUT
1518 12Jul23 NoCat	1	FINISHED BASEMENT BATHROOM - FINISHED BASEMENT BATHROOM - CERAMICS - BASEMENT SHWR FLOOR - UPG 1
1518 12Jul23 NoCat	1	FINISHED BASEMENT BATHROOM - FINISHED BASEMENT BATHROOM - CERAMICS - BASEMENT SHWR FLOOR - UPG GROUT
1518 12Jul23 ** NoCat	1	FINISHED BASEMENT BEDROOM - FINISHED BASEMENT BATHROOM - MIRRORS/GLASS PRODUCTS - DELETE WALLS FOR FRAMELESS GLASS SHOWER FRONT WITH DOOR AND 0 HANDLE - SKETCH # 1 CERAMICS-Modify;DRYWALL-Modify;ELECTRICAL-Add light;FRAMING-Modify;SHOWER-Frameless shower;PLUMBING-Modify
1518 12Jul23 ** NoCat	1	KITCHEN/BREAKFAST - KITCHEN/BREAKFAST - HARDWOOD - VINTAGE 5 IN WHITE OAK UVF OIL OR SCULPTED - UPG CABINETRY-Raise Cabinet; CERAMICS-Delete Std Ceramics

CONCRETE AND DRAIN

Invoice	Qty.	Description
1518 12Jul23 ** NoCat	1	FINISHED BASEMENT FAMILY (REC) ROOM - SUPPLY AND INSTALL TORLY S EW-23007 EVERWOOD PREMIER - ANDY RIDGE 5/16 IN X 47/8 IN LAMINATE FLOORING FLOORS TO BE LEVELLED AS REQUIRED TO ACCOMODATE LAMINATE FLOORING CARPET-delete std carpet;CONCRETE-Prepare Floor;TRIM-supply and install quarter rounds;PAINTING-pain quarter rounds

DECK

Invoice	Qty.	Description
1518 12Jul23 NoCat	1	- THIS IS A DECK LOT



CONSTRUCTION SUMMARY

Lot: 139
Model: 25-2202 B The Emerald
Project/Phase: Williamsburg Green / 1

DRYWALL

Invoice	Qty.	Description
1518 12Jul23 ** NoCat	1	DINING ROOM - DINING ROOM - COFFERED CEILING - OPT COFFERED CEILING - DINING ROOM DRYWALL-Notify; FRAMING-Notify; PAINTING-Notify
1518 12Jul23 NoCat	1	- 2ND FLOOR - DRYWALL - SMOOTH CEILING IN 2ND FLOOR WITH RESILIENT CHANNEL - UPG ELECTRICAL-Drop electrical boxes; PAINTING-Paint smooth ceiling
1518 12Jul23 NoCat	1	- BASEMENT - DRYWALL - SMOOTH CEILING IN FINISHED BASEMENT AREA - UPG PAINTING-Paint Smooth Ceiling
1518 12Jul23 ** NoCat	6	THROUGHOUT - THROUGHOUT - ELECTRICAL - POTLIGHT BUNDLE - 8 X 4 INCH SLIM RECESSED LED DOWN LIGHT WHITE TRIM INCLUDES 2 SWITCHES NOTE: LOCATION MAY VARY FROM REQUEST DEPENDS ON JOIST PLACEMENT TOTAL OF 48 POT LIGHTS SKETCH # 1,2 AND 3 SEE BELOW FOR PLACEMENTS DRYWALL-Drywall/Ceiling cutouts for potlights; FRAMING-Frame to accommodate potlights
1518 12Jul23 ** NoCat	1	FINISHED BASEMENT BEDROOM - FINISHED BASEMENT BATHROOM - MIRRORS/GLASS PRODUCTS - DELETE WALLS FOR FRAMELESS GLASS SHOWER FRONT WITH DOOR AND 0 HANDLE - SKETCH # 1 CERAMICS-Modify;DRYWALL-Modify;ELECTRICAL-Add light;FRAMING-Modify;SHOWER-Frameless shower;PLUMBING-Modify
1518 12Jul23 ** NoCat	1	GREAT ROOM - GREAT ROOM - WAFFLE CEILING - OPT. WAFFLE CEILING - GREAT ROOM (INCLUDES COFFER CEILING) DRYWALL-Smooth Ceiling inside waffles; FRAMING-Coffered Ceiling to accommodate Waffle;PAINTING-Pain mouldings (6)



CONSTRUCTION SUMMARY

Lot: 139
Model: 25-2202 B The Emerald
Project/Phase: Williamsburg Green / 1

ELECTRICAL

Invoice	Qty.	Description
1518 12Jul23 ** NoCat	1	KITCHEN - KITCHEN - APPLIANCES - CYCLONE 30 INCH WALL MOUNT CHIMNEY HOOD SS - SCB51430 CABINENTRY-delete stove uppers; ELECTRICAL-delete std range hood; HEATING/AIR CONDITIONING-Duct change to 6 in
1518 12Jul23 ** NoCat	1	KITCHEN - KITCHEN - CABINENTRY - OPT LIGHT VALANCE (INCLUDE LIGHTING) - KITCHEN (ALL DOOR STYLES) -UPG ELECTRICAL-Complete Kitchen valance light including switch (Luminiz LED slimline strip light)
1518 12Jul23 ** NoCat	1	- 2ND FLOOR - DRYWALL - SMOOTH CEILING IN 2ND FLOOR WITH RESILIENT CHANNEL - UPG ELECTRICAL-Drop electrical boxes; PAINTING-Paint smooth ceiling
1518 12Jul23 NoCat	1	UPPER HALL - UPPER HALL - ELECTRICAL - REINFORCE CELING BOX TO HOLD A LIGHT FIXTURE UP TO 75LBS FOR CEILING FIXTURE IN OPEN TO BELOW AREA ON UPPER HALL STAIR AREA SKETCH # 4
1518 12Jul23 NoCat	6	THROUGHOUT - THROUGHOUT - ELECTRICAL - POTLIGHT BUNDLE - 8 X 4 INCH SLIM RECESSED LED DOWN LIGHT WHITE TRIM INCLUDES 2 SWITCHES NOTE: LOCATION MAY VARY FROM REQUEST DEPENDS ON JOIST PLACEMENT TOTAL OF 48 POT LIGHTS SKETCH # 1,2 AND 3 SEE BELOW FOR PLACEMENTS DRYWALL-Drywall/Ceiling cutouts for potlights; FRAMING-Frame to accommodate potlights
1518 12Jul23 NoCat	1	FINISHED BASEMENT FAMILY (REC) ROOM/HALL - FINISHED BASEMENT FAMILY (REC) ROOM - SUPPLY AND INSTALL 12 POT LIGHTS IN RECREATION ROOM 6 ON EXISTING SWITCH DELETE STD LIGHTS AND 6 ON SEPARATE SWITCH AND 1 X FINISHED BASEMENT BATHROOM ON SEPARATE SWITCH SKETCH # 1
1518 12Jul23 NoCat	1	MAIN HALL - MAIN HALL - SUPPLY AND INSTALL 3 X POT LIGHTS ON EXISTING 3 WAY SWITCH DELETE STD LIGHT SKETCH # 2
1518 12Jul23 NoCat	1	POWDER ROOM - POWDER ROOM - SUPPLY AND INSTALL 1 X POT LIGHT WITH SEPARATE SWITCH SKETCH # 2
1518 12Jul23 NoCat	1	KITCHEN/BREAKFAST - KITCHEN/BREAKFAST - SUPPLY AND INSTALL 6 X POT LIGHTS IN KITCHEN ON SEPARATE SWITCH AND 4 X POT LIGHT IN BREAKFAST ROOM ON SEPARATE SWITCH SKETCH # 2
1518 12Jul23 NoCat	1	DINING ROOM - DINING ROOM - SUPPLY AND INSTALL 4 X POT LIGHTS ON SEPARATE SWITCH SKETCH # 2
1518 12Jul23 NoCat	1	GREAT ROOM - GREAT ROOM - SUPPLY AND INSTALL 6 X POT LIGHTS ON SEPARATE SWITCH SKETCH # 2
1518 12Jul23 NoCat	1	UPPER HALL - UPPER HALL - SUPPLY AND INSTALL 6 X POT LIGHTS USE EXISTING 4 WAY SWITCH DELETE STD LIGHTS SKETCH # 4



CONSTRUCTION SUMMARY

Lot: 139
Model: 25-2202 B The Emerald
Project/Phase: Williamsburg Green / 1

ELECTRICAL

Invoice	Qty.	Description
1518 12Jul23 NoCat	1	MASTER ENSUITE - MASTER ENSUITE - SUPPLY AND INSTALL 4 X POT LIGHTS IN PRINCIPAL BEDROOM ON SEPARATE SWITCH AND 1 X POT LIGHT IN ENSUITE 4 BATHROOM ON SEPARATE SWITCH SKETCH # 4
1518 12Jul23 NoCat	1	KITCHEN - KITCHEN - ELECTRICAL - RELOCATION OF SWITCHES/LIGHTS (MUST SPECIFY LOCATION) - NOTE: PLUGS CANNOT BE RELOCATED- MUST PURCHASE ADDITIONAL OUTLET. RELOCATE STANDARD KITCHEN LIGHT TO BE CAPPED CENTERED +/- ABOVE ISLAND SKETCH # 2
1518 12Jul23 NoCat	1	GREAT ROOM - GREAT ROOM - ELECTRICAL - EXTRA WALL INTERIOR OUTLET ON EXISTING CIRCUIT (DOES NOT INCLUDE KITCHEN OUTLETS) INSTALL ABOVE GREAT ROOM FIREPLACE CENTERED 70" +/- FROM FLOOR SKETCH # 2
1518 12Jul23 NoCat	1	FINISHED BASEMENT FAMILY (REC) ROOM - FINISHED BASEMENT FAMILY (REC) ROOM - ELECTRICAL - EXTRA WALL INTERIOR OUTLET ON EXISTING CIRCUIT (DOES NOT INCLUDE KITCHEN OUTLETS) INSTALL ABOVE ELECTRIC FIREPLACE 70" +/- FROM FLOOR SKETCH # 1
1518 12Jul23 NoCat	2	KITCHEN - KITCHEN - ELECTRICAL - CEILING ROUGH-IN (CAPPED) INSTALL 2 CAPPED CEILING ON EACH SIDE OF RELOCATED (CAPPED) KITCHEN LIGHT ON SAME SWITCH SKETCH # 2
1518 12Jul23 NoCat	12	-- ELECTRICAL - 4 INCH EXTERIOR POTLIGHT IN SOFFIT (120 VOLT NON-INSULATED) MODEL #2550WH ALUMINUM-Provide soffit cutout to accommodate potlight(s) INSTALL 3 X FRONT ELEVATION / 4 X SIDE ELEVATION / 3 X GARAGE SIDE ELEVATION / 2 X REAR ELEVATION SEE SKETCH # 'S 6 , 7 AND 8
1518 12Jul23 NoCat	1	KITCHEN - KITCHEN - ELECTRICAL - EXTRA WALL INTERIOR OUTLET (120V/15A) ON A SEPARATE CIRCUIT (ON ARCAUL T FOR BASE MICROWAVE DRAWER SKETCH # 3
1518 12Jul23 ** NoCat	1	FINISHED BASEMENT BEDROOM - FINISHED BASEMENT BATHROOM - MIRRORS/GLASS PRODUCTS - DELETE WALLS FOR FRAMELESS GLASS SHOWER FRONT WITH DOOR AND 0 HANDLE - SKETCH # 1 CERAMICS-Modify;DRYWALL-Modify;ELECTRICAL-Add light;FRAMING-Modify;SHOWER-Frameless shower;PLUMBING-Modify
1518 12Jul23 ** NoCat	1	KITCHEN - KITCHEN - HEATING/AIR - ROUGH-IN GAS LINE FOR GAS STOVE AT MAIN FLOOR (SEE SPECS) (HOOK-UP NOT INCLUDED) LEAVE STANDARD 120 VOLT ELECTRICAL OUTLET ON A SEPARATE CIRCUIT. * SPECIFY IF STANDARD 220V WILL STAY OR BE RELOCATED STANDARD 240V WILL REMAIN SKETCH # 3 SEE SPECS ELECTRICAL-Notify
1511 12Jul23 NoCat	1	THROUGHOUT - SUPPLY AND INSTALL THE FOLLOWING LIGHT FIXTURES -MAIN FLOOR FOYER- MATTEO LIGHTING CEILING FLUSH MOUNT- M14614WHCL See drawing 04-4758 DINING ROOM - DALTON OFASE -NO-46772-015 BREAKFAST ROOM PENDANT -KUZCO LIGHTING -DALTON PD7916 KITCHEN PENDANTS ABOVE ISLAND -ALORA LIGHTING-BORDEAUX PD502204 X 3 POWDER ROOM - MATTEO LIGHTING VANITY SO5410CH



CONSTRUCTION SUMMARY

Lot: 139
Model: 25-2202 B The Emerald
Project/Phase: Williamsburg Green / 1

ELECTRICAL

Invoice	Qty.	Description
1511 12Jul23 NoCat	1	THROUGHOUT - SUPPLY AND INSTALL THE FOLLOWING LIGHT FIXTURES- SECOND FLOOR see pictures pgs 47-50 PRINCIPAL BEDROOM- KUZCO LIGHTING-PLISSE-CH628423 PRINCIPAL ENSUITE BATHROOM- ALORA LIGHTING-REVOVE-WV309022 X 2 ABOVE EACH VANITY SINK PRINCIPAL ENSUITE BATHROOM CEILING- MATTEO LIGHTING FLUSH MOUNT CEILING M16613 LAUNDRY AND PRINCIPAL BEDROOM & BEDROOM2 WIC -MATTEO LIGHTING FLUSH MOUNT CEILING M16613 X 3 SECOND FLOOR HALL OPEN TO BELOW ABOVE STAIRCASE -KUZCO LIGHTING -VICTORIA-MP3009
1511 12Jul23 NoCat	1	THROUGHOUT - SUPPLY AND INSTALL THE FOLLOWING LIGHT FIXTURES - SECOND FLOOR AND LOWER LEVEL see pictures pgs 47-50 MAIN BATHROOM -ALORA LIGHTING- HAZEL-VL524217 ABOVE VANITY SINK ENSUITE 4 BATHROOM- MATTEO LIGHTING VANITY SO6104CH BEDROOMS 2, 3 AND 4 -KUZCO LIGHTING- DALTON-FM7920 LOWER LEVEL BATHROOM- EUROFASE -NO 34106-013

FRAMING

Invoice	Qty.	Description
1518 12Jul23 ** NoCat	1	DINING ROOM - DINING ROOM - COFFERED CEILING - OPT COFFERED CEILING - DINING ROOM DRYWALL-Notify; FRAMING-Notify; PAINTING-Notify
1518 12Jul23 ** NoCat	6	THROUGHOUT - THROUGHOUT - ELECTRICAL - POTLIGHT BUNDLE - 8 X 4 INCH SLIM RECESSED LED DOWN LIGHT WHITE TRIM INCLUDES 2 SWITCHES NOTE: LOCATION MAY VARY FROM REQUEST DEPENDS ON JOIST PLACEMENT TOTAL OF 48 POT LIGHTS SKETCH # 1,2 AND 3 SEE BELOW FOR PLACEMENTS DRYWALL-Drywall/Ceiling cutouts for potlights; FRAMING-Frame to accommodate potlights
1518 12Jul23 ** NoCat	1	FINISHED BASEMENT BEDROOM - FINISHED BASEMENT BATHROOM - MIRRORS/GLASS PRODUCTS - DELETE WALLS FOR FRAMELESS GLASS SHOWER FRONT WITH DOOR AND 0 HANDLE - SKETCH # 1 CERAMICS-Modify;DRYWALL-Modify;ELECTRICAL-Add light;FRAMING-Modify;SHOWER-Frameless shower;PLUMBING-Modify
1518 12Jul23 ** NoCat	1	GREAT ROOM - GREAT ROOM - WAFFLE CEILING - OPT. WAFFLE CEILING - GREAT ROOM (INCLUDES COFFER CEILING) DRYWALL-Smooth Ceiling inside waffles; FRAMING-Coffered Ceiling to accommodate Waffle;PAINTING-Pain mouldings (6)



CONSTRUCTION SUMMARY

Lot: 139
Model: 25-2202 B The Emerald
Project/Phase: Williamsburg Green / 1

GLASS PRODUCTS / MIRRORS

Invoice	Qty.	Description
1518 12Jul23 NoCat	1	ENSUITE 4 - ENSUITE 4 - GLASS PRODUCTS / MIRRORS - UPGRADE TO FRAMELESS CLEAR GLASS WITH O-RING HANDLE IN CHROME - ENSUITE 4 - UPG SKETCH # 4
1518 12Jul23 NoCat	1	MASTER ENSUITE - ENSUITE MASTER - GLASS PRODUCTS / MIRRORS - UPGRADE TO FRAMELESS CLEAR GLASS WITH O-RING HANDLE IN CHROME - ENSUITE MASTER - UPG SKETCH # 4
1518 12Jul23 NoCat	1	FINISHED BASEMENT BEDROOM - FINISHED BASEMENT BATHROOM - MIRRORS/GLASS PRODUCTS - DELETE WALLS FOR FRAMELESS GLASS SHOWER FRONT WITH DOOR AND 0 HANDLE - SKETCH # 1 CERAMICS-Modify;DRYWALL-Modify;ELECTRICAL-Add light;FRAMING-Modify;SHOWER-Frameless shower;PLUMBING-Modify



CONSTRUCTION SUMMARY

Lot: 139
Model: 25-2202 B The Emerald
Project/Phase: Williamsburg Green / 1

GRANITE

Invoice	Qty.	Description
1518 12Jul23 NoCat	1	ENSUITE 4 - ENSUITE 4 - GRANITE - COUNTERTOP WITH 4 IN BACKSPLASH - BED 4 ENS. - GROUP 5 - UPG CABINetry-delete std countertop; GRANITE-see upgraded faucet and undermount sink specs
1518 12Jul23 NoCat	1	MASTER ENSUITE - MASTER ENSUITE - GRANITE - COUNTERTOP WITH 4 IN BACKSPLASH - MASTER ENSUITE - GROUP 6 - UPG GRANITE-see upgraded faucet and undermount sink specs
1518 12Jul23 NoCat	1	SHARED BATHROOM - SHARED BATHROOM - GRANITE - COUNTERTOP WITH 4 IN BACKSPLASH - GROUP 4 - UPG CABINetry-delete std countertop; GRANITE-see upgraded faucet and undermount sink specs
1518 12Jul23 NoCat	1	FINISHED BASEMENT BATHROOM - FINISHED BASEMENT BATHROOM - GRANITE - COUNTERTOP WITH 4IN BACKSPLASH - BASEMENT BATH - GROUP 4 - UPG CABINetry-delete std countertop; GRANITE-see upgraded faucet and undermount sink specs
1518 12Jul23 NoCat	1	KITCHEN - KITCHEN - GRANITE - KITCHEN / ISLAND - GROUP 6 - UPG
1518 12Jul23 NoCat	3	THROUGHOUT - THROUGHOUT - GRANITE - GRANITE CUTOUT W/ STRAIGHT EDGE POLISH TO ACCOMMODATE UNDER MOUNT VANITY SINK FOR MAIN BATH, ENSUITE 4 AND FINISHED BASEMENT BATHROOMS SEE SINK SPECS
1518 12Jul23 ** NoCat	1	KITCHEN - KITCHEN - SUPPLY AND INSTALL BLANCO PRECIS U SUPER SINGLE SILGRANIT SINK IN ANTHRACITE MODEL 400890 CABINetry-upgraded kitchen sink; GRANITE-upgraded kitchen sink
1518 12Jul23 ** NoCat	1	MASTER ENSUITE - MASTER ENSUITE - SUPPLY AND INSTALL AMERICAN STANDARD STUDIO UNDERMOUNT SINKS X 2 IN LIEU OF THE STANDARD OVAL YN GRANITE-see specs
1518 12Jul23 ** NoCat	1	MAIN BATHROOM - MAIN BATHROOM - PLUMBING - AMERICAN STANDARD - SINK OPTIONS - UNDERMOUNT SINK - STUDIO - WHITE - MODEL 0614 000 020 (21 Y..INCH)(15 Y..INCH)- SEE SPEC GRANITE-see specs
1518 12Jul23 ** NoCat	2	- PLUMBING - AMERICAN STANDARD - SINK OPTIONS - UNDERMOUNT SINK - OVALYN MODEL 0496 221 020 (19 Y.. INCH X 16 Y.. INCH) - FOR ENSUITE 4 AND FINISHED LOWER LEVE BATHROOMS SEE SPEC GRANITE-see specs



CONSTRUCTION SUMMARY

Lot: 139
Model: 25-2202 B The Emerald
Project/Phase: Williamsburg Green / 1

HARDWOOD

Invoice	Qty.	Description
1518 12Jul23 NoCat	1	KITCHEN/BREAKFAST - KITCHEN/BREAKFAST - HARDWOOD - VINTAGE 5 IN WHITE OAK UVF OIL OR SCULPTED - UPG CABINetry-Raise Cabinet; CERAMICS-Delete Std Ceramics
1518 12Jul23 NoCat	1	GREAT ROOM - GREAT ROOM - HARDWOOD - VINTAGE 5 IN WHITE OAK UVF OIL OR SCULPTED - UPG
1518 12Jul23 NoCat	1	DINING ROOM - DINING ROOM - HARDWOOD - VINTAGE 5 IN WHITE OAK UVF OIL OR SCULPTED - UPG
1518 12Jul23 NoCat	1	BEDROOM 2 - BEDROOM - HARDWOOD - VINTAGE 5 IN WHITE OAK UVF OIL OR SCULPTED - UPG CARPET-delete std carpet; INTERIOR TRIM-supply and install quarter rounds; PAINTING-paint quarter round
1518 12Jul23 NoCat	1	BEDROOM 3 - BEDROOM - HARDWOOD - VINTAGE 5 IN WHITE OAK UVF OIL OR SCULPTED - UPG CARPET-delete std carpet; INTERIOR TRIM-supply and install quarter rounds; PAINTING-paint quarter round
1518 12Jul23 NoCat	1	BEDROOM 4 - BEDROOM - HARDWOOD - VINTAGE 5 IN WHITE OAK UVF OIL OR SCULPTED - UPG CARPET-delete std carpet; INTERIOR TRIM-supply and install quarter rounds; PAINTING-paint quarter round
1518 12Jul23 NoCat	1	UPPER HALL - UPPER HALL - HARDWOOD - VINTAGE 5 IN WHITE OAK UVF OIL OR SCULPTED - UPG CARPET-delete std carpet; INTERIOR TRIM-supply and install quarter rounds; PAINTING-paint quarter round
1518 12Jul23 NoCat	1	MAIN HALL - MAIN HALL - HARDWOOD - VINTAGE 5 IN WHITE OAK UVF OIL OR SCULPTED - UPG
1518 12Jul23 NoCat	1	MASTER BEDROOM - BEDROOM - HARDWOOD - VINTAGE 5 IN WHITE OAK UVF OIL OR SCULPTED - UPG CARPET-delete std carpet; INTERIOR TRIM-supply and install quarter rounds; PAINTING-paint quarter round
1518 12Jul23 NoCat	2	MAIN STAIRS LANDING(S) - MAIN STAIRS LANDINGS - HARDWOOD - VINTAGE 5 IN WHITE OAK UVF OIL OR SCULPTED - UPG
1518 12Jul23 NoCat	1	FINISHED BASEMENT FAMILY (REC) ROOM - SUPPLY AND INSTALL TORLY S EW-23007 EVERWOOD PREMIER - ANDY RIDGE 5/16 IN X 47/8 IN LAMINATE FLOORING FLOORS TO BE LEVELLED AS REQUIRED TO ACCOMODATE LAMINATE FLOORING CARPET-delete std carpet; CONCRETE-Prepare Floor; TRIM-supply and install quarter rounds; PAINTING-paint quarter rounds



CONSTRUCTION SUMMARY

Lot: 139
Model: 25-2202 B The Emerald
Project/Phase: Williamsburg Green / 1

HEATING / AIR CONDITIONING

Invoice	Qty.	Description
1518 12Jul23 ** NoCat	1	KITCHEN - KITCHEN - APPLIANCES - CYCLONE 30 INCH WALL MOUNT CHIMNEY HOOD SS - SCB51430 CABINetry-delete stove uppers; ELECTRICAL-delete std range hood; HEATING/AIR CONDITIONING-Duct change to 6 in
1518 12Jul23 NoCat	1	KITCHEN - KITCHEN - HEATING/AIR - ROUGH-IN GAS LINE FOR GAS STOVE AT MAIN FLOOR (SEE SPECS) (HOOK-UP NOT INCLUDED) LEAVE STANDARD 120 VOLT ELECTRICAL OUTLET ON A SEPARATE CIRCUIT. * SPECIFY IF STANDARD 220V WILL STAY OR BE RELOCATED STANDARD 240V WILL REMAIN SKETCH # 3 SEE SPECS ELECTRICAL-Notify
1518 12Jul23 NoCat	1	-- HEATING/AIR - HUMIDIFIER LENNOX HCWB3-17 FROM 2,001 TO 4,000 SO.FT. (INCLUDING BASEMENT)

INTERIOR STAIRS

Invoice	Qty.	Description
1518 12Jul23 NoCat	1	BASEMENT STAIRS - BASEMENT STAIRS - INTERIOR STAIRS - OAK STAIRS - BASEMENT STAIRS - UPG PAINTING-Paint oak stairs

INTERIOR TRIM AND DOORS

Invoice	Qty.	Description
1518 12Jul23 ** NoCat	1	BEDROOM 2 - BEDROOM - HARDWOOD - VINTAGE 5 IN WHITE OAK UVF OIL OR SCULPTED - UPG CARPET-delete std carpet; INTERIOR TRIM-supply and install quarter rounds; PAINTING-paint quarter round
1518 12Jul23 ** NoCat	1	BEDROOM 3 - BEDROOM - HARDWOOD - VINTAGE 5 IN WHITE OAK UVF OIL OR SCULPTED - UPG CARPET-delete std carpet; INTERIOR TRIM-supply and install quarter rounds; PAINTING-paint quarter round
1518 12Jul23 ** NoCat	1	BEDROOM 4 - BEDROOM - HARDWOOD - VINTAGE 5 IN WHITE OAK UVF OIL OR SCULPTED - UPG CARPET-delete std carpet; INTERIOR TRIM-supply and install quarter rounds; PAINTING-paint quarter round
1518 12Jul23 ** NoCat	1	UPPER HALL - UPPER HALL - HARDWOOD - VINTAGE 5 IN WHITE OAK UVF OIL OR SCULPTED - UPG CARPET-delete std carpet; INTERIOR TRIM-supply and install quarter rounds; PAINTING-paint quarter round
1518 12Jul23 ** NoCat	1	MASTER BEDROOM - BEDROOM - HARDWOOD - VINTAGE 5 IN WHITE OAK UVF OIL OR SCULPTED - UPG CARPET-delete std carpet; INTERIOR TRIM-supply and install quarter rounds; PAINTING-paint quarter round
1518 12Jul23 ** NoCat	1	FINISHED BASEMENT FAMILY (REC) ROOM - SUPPLY AND INSTALL TORLY S EW-23007 EVERWOOD PREMIER - ANDY RIDGE 5/16 IN X 47/8 IN LAMINATE FLOORING FLOORS TO BE LEVELLED AS REQUIRED TO ACCOMODATE LAMINATE FLOORING CARPET-delete std carpet;CONCRETE-Prepare Floor;TRIM-supply and install quarter rounds;PAINTING-pain quarter rounds



CONSTRUCTION SUMMARY

Lot: 139
Model: 25-2202 B The Emerald
Project/Phase: Williamsburg Green / 1

PAINTING

Invoice	Qty.	Description
1518 12Jul23 ** NoCat	1	DINING ROOM - DINING ROOM - COFFERED CEILING - OPT COFFERED CEILING - DINING ROOM DRYWALL-Notify; FRAMING-Notify; PAINTING-Notify
1518 12Jul23 ** NoCat	1	- 2ND FLOOR - DRYWALL - SMOOTH CEILING IN 2ND FLOOR WITH RESILIENT CHANNEL - UPG ELECTRICAL-Drop electrical boxes; PAINTING-Paint smooth ceiling
1518 12Jul23 ** NoCat	1	- BASEMENT - DRYWALL - SMOOTH CEILING IN FINISHED BASEMENT AREA - UPG PAINTING-Paint Smooth Ceiling
1518 12Jul23 ** NoCat	1	BEDROOM 2 - BEDROOM - HARDWOOD - VINTAGE 5 IN WHITE OAK UVF OIL OR SCULPTED - UPG CARPET-delete std carpet; INTERIOR TRIM-supply and install quarter rounds; PAINTING-paint quarter round
1518 12Jul23 ** NoCat	1	BEDROOM 3 - BEDROOM - HARDWOOD - VINTAGE 5 IN WHITE OAK UVF OIL OR SCULPTED - UPG CARPET-delete std carpet; INTERIOR TRIM-supply and install quarter rounds; PAINTING-paint quarter round
1518 12Jul23 ** NoCat	1	BEDROOM 4 - BEDROOM - HARDWOOD - VINTAGE 5 IN WHITE OAK UVF OIL OR SCULPTED - UPG CARPET-delete std carpet; INTERIOR TRIM-supply and install quarter rounds; PAINTING-paint quarter round
1518 12Jul23 ** NoCat	1	UPPER HALL - UPPER HALL - HARDWOOD - VINTAGE 5 IN WHITE OAK UVF OIL OR SCULPTED - UPG CARPET-delete std carpet; INTERIOR TRIM-supply and install quarter rounds; PAINTING-paint quarter round
1518 12Jul23 ** NoCat	1	MASTER BEDROOM - BEDROOM - HARDWOOD - VINTAGE 5 IN WHITE OAK UVF OIL OR SCULPTED - UPG CARPET-delete std carpet; INTERIOR TRIM-supply and install quarter rounds; PAINTING-paint quarter round
1518 12Jul23 ** NoCat	1	FINISHED BASEMENT FAMILY (REC) ROOM - SUPPLY AND INSTALL TORLY S EW-23007 EVERWOOD PREMIER - ANDY RIDGE 5/16 IN X 47/8 IN LAMINATE FLOORING FLOORS TO BE LEVELLED AS REQUIRED TO ACCOMODATE LAMINATE FLOORING CARPET-delete std carpet; CONCRETE-Prepare Floor; TRIM-supply and install quarter rounds; PAINTING-paint quarter rounds
1518 12Jul23 ** NoCat	1	BASEMENT STAIRS - BASEMENT STAIRS - INTERIOR STAIRS - OAK STAIRS - BASEMENT STAIRS - UPG PAINTING-Paint oak stairs
1518 12Jul23 ** NoCat	1	GREAT ROOM - GREAT ROOM - WAFFLE CEILING - OPT. WAFFLE CEILING - GREAT ROOM (INCLUDES COFFER CEILING) DRYWALL-Smooth Ceiling inside waffles; FRAMING-Coffered Ceiling to accommodate Waffle; PAINTING-Paint mouldings (6)



CONSTRUCTION SUMMARY

Lot: 139
Model: 25-2202 B The Emerald
Project/Phase: Williamsburg Green / 1

PLUMBING

Invoice	Qty.	Description
1518 12Jul23 ** NoCat	1	FINISHED BASEMENT BEDROOM - FINISHED BASEMENT BATHROOM - MIRRORS/GLASS PRODUCTS - DELETE WALLS FOR FRAMELESS GLASS SHOWER FRONT WITH DOOR AND 0 HANDLE - SKETCH # 1 CERAMICS-Modify;DRYWALL-Modify;ELECTRICAL-Add light;FRAMING-Modify;SHOWER-Frameless shower;PLUMBING-Modify
1518 12Jul23 NoCat	1	KITCHEN - KITCHEN - SUPPLY AND INSTALL BLANCO PRECIS U SUPER SINGLE SILGRANIT SINK IN ANTHRACITE MODEL 400890 CABINETRY-upgraded kitchen sink; GRANITE-upgraded kitchen sink
1518 12Jul23 NoCat	1	KITCHEN - KITCHEN - SUPPLY AND INSTALL MOEN KURV SINGLE HANDLE PULLDOWN KITCHEN FAUCET IN POLISHED NICKEL MODEL 9126 NL
1518 12Jul23 NoCat	1	MASTER ENSUITE - MASTER ENSUITE - SUPPLY AND INSTALL AMERICAN STANDARD STUDIO UNDERMOUNT SINKS X 2 IN LIEU OF THE STANDARD OVAL YN GRANITE-see specs
1518 12Jul23 NoCat	1	MASTER ENSUITE - MASTER ENSUITE - SUPPLY AND INSTALL MOEN FLARA TWO HANDLE ADJUSTABLE WIDESPREAD FAUCET CROSS HANDLES WITH LIFT ROD DRAIN - 2 X IN POLISHED NICKEL MODEL TS6985/69000 NL
1518 12Jul23 NoCat	1	MASTER ENSUITE - MASTER ENSUITE - SUPPLY AND INSTALL MOEN FLARA TWO HANDLE ROMAN TUB FAUCET WITH HAND HELD SHOWER- CROSS HANDLES IN POLISHED NICKEL MODEL TS929/9796 NL
1518 12Jul23 NoCat	1	MASTER ENSUITE - MASTER ENSUITE - SUPPLY AND INSTALL MOEN FLARA ECO-PERFORMANCE POSI-TEMP SHOWER ONLY IN POLISHED NICKEL MODEL TS2912EP/62320 NL WITH 4F ECO-PERFORMANCE HANDSHOWER WITH SLIDE BAR IN POLISHED NICKEL MODEL 3667EP/A725 NL WITH TRANSFER VALVE TRIM
1518 12Jul23 NoCat	1	MAIN BATHROOM - MAIN BATHROOM - SUPPLY AND INSTALL MOEN FLARA TWO HANDLE ADJUSTABLE WIDESPREAD LAV FAUCET WITH LIFT ROD DRAIN IN POLISHED NICKEL MODEL TS6984/69000 NL
1518 12Jul23 NoCat	1	MAIN BATHROOM - MAIN BATHROOM - SUPPLY AND INSTALL MOEN FLARA ECO-PERFORMANCE POSI-TEMP TUB/SHOWER FAUCET IN POLISHED NICKEL MODEL TS2913EP/62320 NL
1518 12Jul23 NoCat	1	ENSUITE 4 - ENSUITE 4 - SUPPLY AND INSTALL MOEN FLARA SINGLE HANDLE LAV FAUCET WITH LIFT ROD DRAIN IN POLISHED NICKEL MODEL S6981 NL
1518 12Jul23 NoCat	1	ENSUITE 4 - ENSUITE 4 - SUPPLY AND INSTALL MOEN FLARA ECO-PERFORMANCE POSI-TEMP TUB/SHOWER FAUCET IN POLISHED NICKEL MODEL tS2913EP/62320 NL
1518 12Jul23 NoCat	1	FINISHED BASEMENT BATHROOM - FINISHED BASEMENT BATHROOM - SUPPLY AND INSTALL MOEN FLARA SINGLE HANDLE LAV FAUCET WITH LIFT ROD DRAIN IN POLISHED NICKEL MODEL S6881 NL



CONSTRUCTION SUMMARY

Lot: 139
Model: 25-2202 B The Emerald
Project/Phase: Williamsburg Green / 1

PLUMBING

Invoice	Qty.	Description
1518 12Jul23 NoCat	1	FINISHED BASEMENT BATHROOM - FINISHED BASEMENT BATHROOM - SUPPLY AND INSTALL MOEN FLARA ECO-PERFORMANCE POSI-TEMP TUB/SHOWER FAUCET IN POLISHED NICKEL MODEL TS2913EP/62320 NL
1518 12Jul23 NoCat	1	POWDER ROOM - POWDER ROOM - SUPPLY AND INSTALL MOEN FLARA SINC3LE HANDLE LAV FAUCET WITH LIFT ROD DRAIN IN POLISHED NICKEL MODEL S6981
1518 12Jul23 NoCat	1	THROUGHOUT - THROUGHOUT - SUPPLY FOR MODEL PURPOSES MOEN FLARA ACCESSORIES IN POLISHED NICKEL 5 X PIVOTING PAPER HOLDERS YB0308 NL -All Bathrooms 2 X 18" TOWEL BARS YB0318 NL- Finished Basment Bath and Main Bath 1 X HAND TOWEL BAR YB0386 NL -Powder Room SKETCH # 1 ,2 AND 4 ALL MOEN FAUCETS AND ACCESSORIES SUPPLIED AT NO COST FOR MODEL HOME DISPLAY PURPOSES
1518 12Jul23 NoCat	5	THROUGHOUT - THROUGHOUT - SUPPLY AND INSTALL AMERICAN STANDARD VORMAX UHET RIGHT HEIGHT ELONGATED TOILETS IN ALL BATHROOMS STANDARD PER SCHEDULE A SEE SPECS
1518 12Jul23 NoCat	1	POWDER ROOM - POWDER ROOM - PLUMBING - AMERICAN STANDARD - PEDESTAL SINK - OPT POWDER ROOM BOULEVARD- WHITE MODEL 0641 100020 CENTRE HOLE ONLY- SEE SPEC
1518 12Jul23 NoCat	1	MAIN BATHROOM - MAIN BATHROOM - PLUMBING - AMERICAN STANDARD - SINK OPTIONS - UNDERMOUNT SINK - STUDIO - WHITE - MODEL 0614 000 020 (21 Y..INCH)(15 Y..INCH)- SEE SPEC GRANITE-see specs
1518 12Jul23 NoCat	2	- PLUMBING - AMERICAN STANDARD - SINK OPTIONS - UNDERMOUNT SINK - OVALYN MODEL 0496 221 020 (19 Y.. INCH X 16 Y.. INCH) - FOR ENSUITE 4 AND FINISHED LOWER LEVE BATHROOMS SEE SPEC GRANITE-see specs

SECURITY

Invoice	Qty.	Description
1518 12Jul23 NoCat	6	THROUGHOUT - THROUGHOUT - 1 X RECREATION ROOM / 1 X GREAT ROOM BY WINDOW /1 X SECOND FLOOR HALL / 1 X FRONT PORCH / 1 X CORNER OF GARAGE AND 1 X REAR OF HOUSE BY PATIO DOOR SKETCH # SiANO 2



CONSTRUCTION SUMMARY

Lot: 139
 Model: 25-2202 B The Emerald
 Project/Phase: Williamsburg Green / 1

STRUCTURED WIRING

Invoice	Qty.	Description
1518 12Jul23 NoCat	4	THROUGHOUT - THROUGHOUT - SUPPLY AND INSTALL 4 SPEAKERS 1 X RECREATION ROOM CEILING /1 X KITCHEN CEILINGS / 1 X DINING ROOM CEILING AND 1 X UPPER HALL CEILINH SKETCH # 1 , 2 AND 4
1518 12Jul23 NoCat	4	THROUGHOUT - CAT 6 E ROUGH-INS AS PER PLAN 1 X RECREATION ROOM /1 X GREAT ROOM / 1 X PRINCIPAL BEDROOM AND 1 X KITCHEN FOR PHONE
1518 12Jul23 NoCat	2	-- STRUCTURED WIRING - CONDUIT PIPE TO ABOVE FIREPLACE ROUGH-IN 1 X CONDUIT 70" +/- FROM FLOOR ABOVE GREAT ROOM GAS FIREPLACE TO STD CAT 6E LOCATION 1 X CONDUIT 70" +/- FROM FLOOR ABOVE RECREATION ROOM ELECTRIC FIREPLACE TO STD CAT 6E LOCATION SKETCH # 1 AND 2

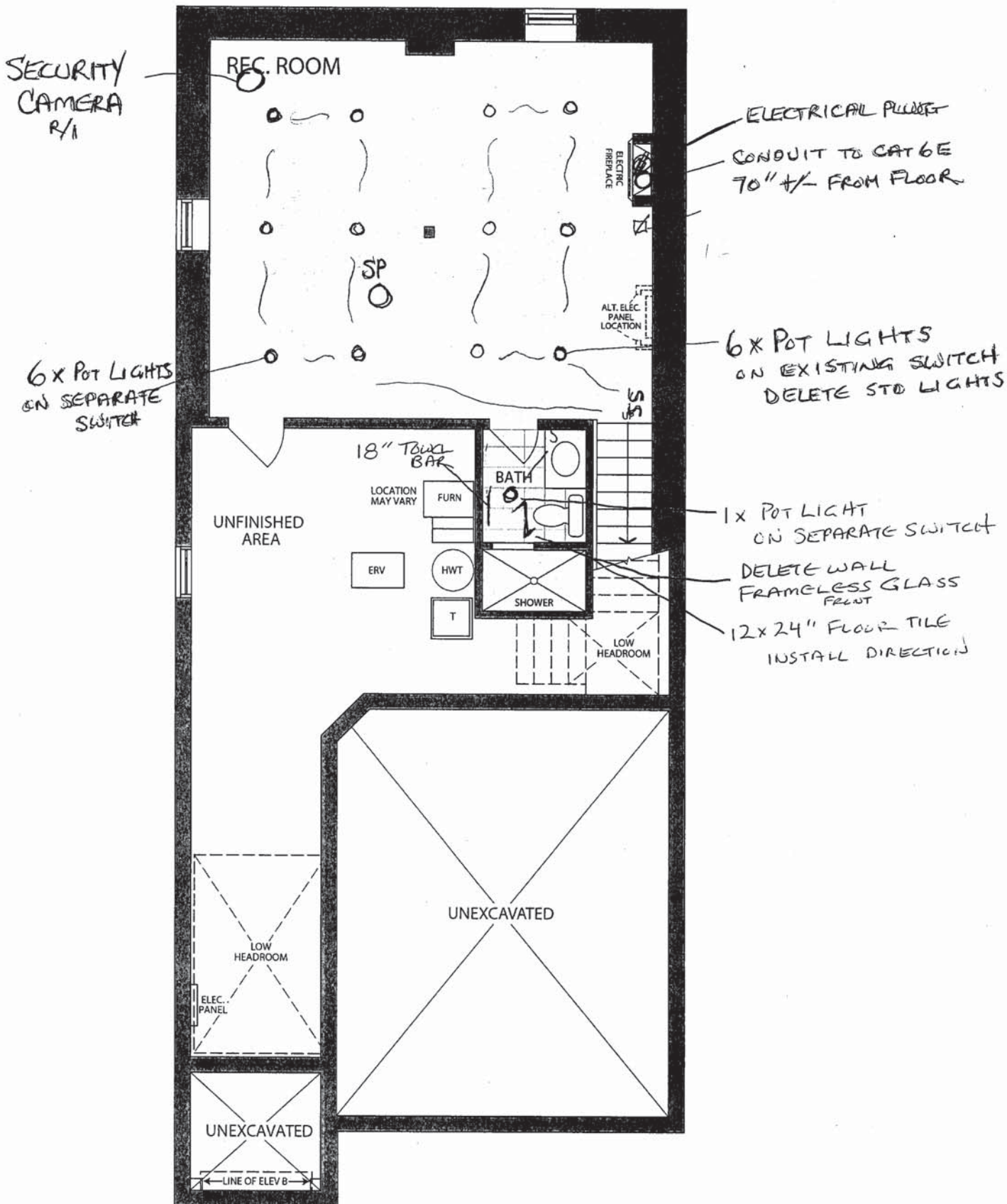
WAFFLE CEILING

Invoice	Qty.	Description
1518 12Jul23 NoCat	1	GREAT ROOM - GREAT ROOM - WAFFLE CEILING - OPT. WAFFLE CEILING - GREAT ROOM (INCLUDES COFFER CEILING) DRYWALL-Smooth Ceiling inside waffles; FRAMING-Coffered Ceiling to accommodate Waffle;PAINTING-Pain mouldings (6)

Sketch #1

25-2202 ELEV. B

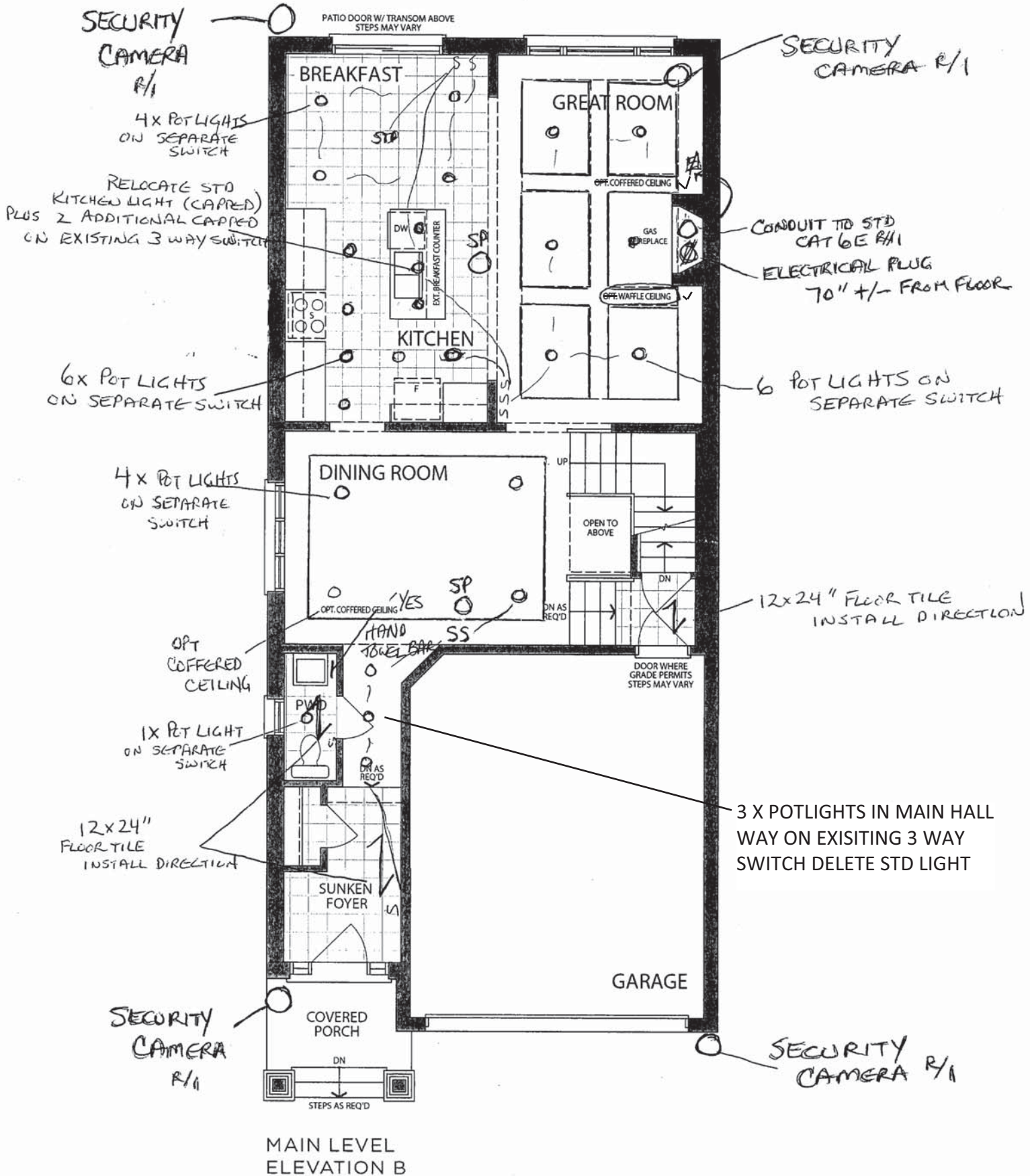
THE EMERALD WILLIAMSBURG GREEN



FINISHED LOWER LEVEL
ELEVATION A, B & C

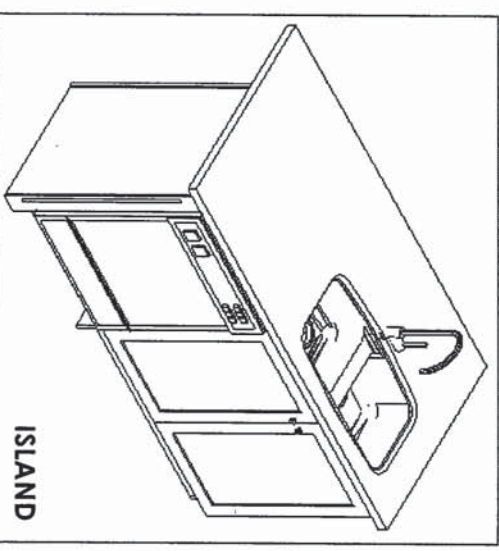
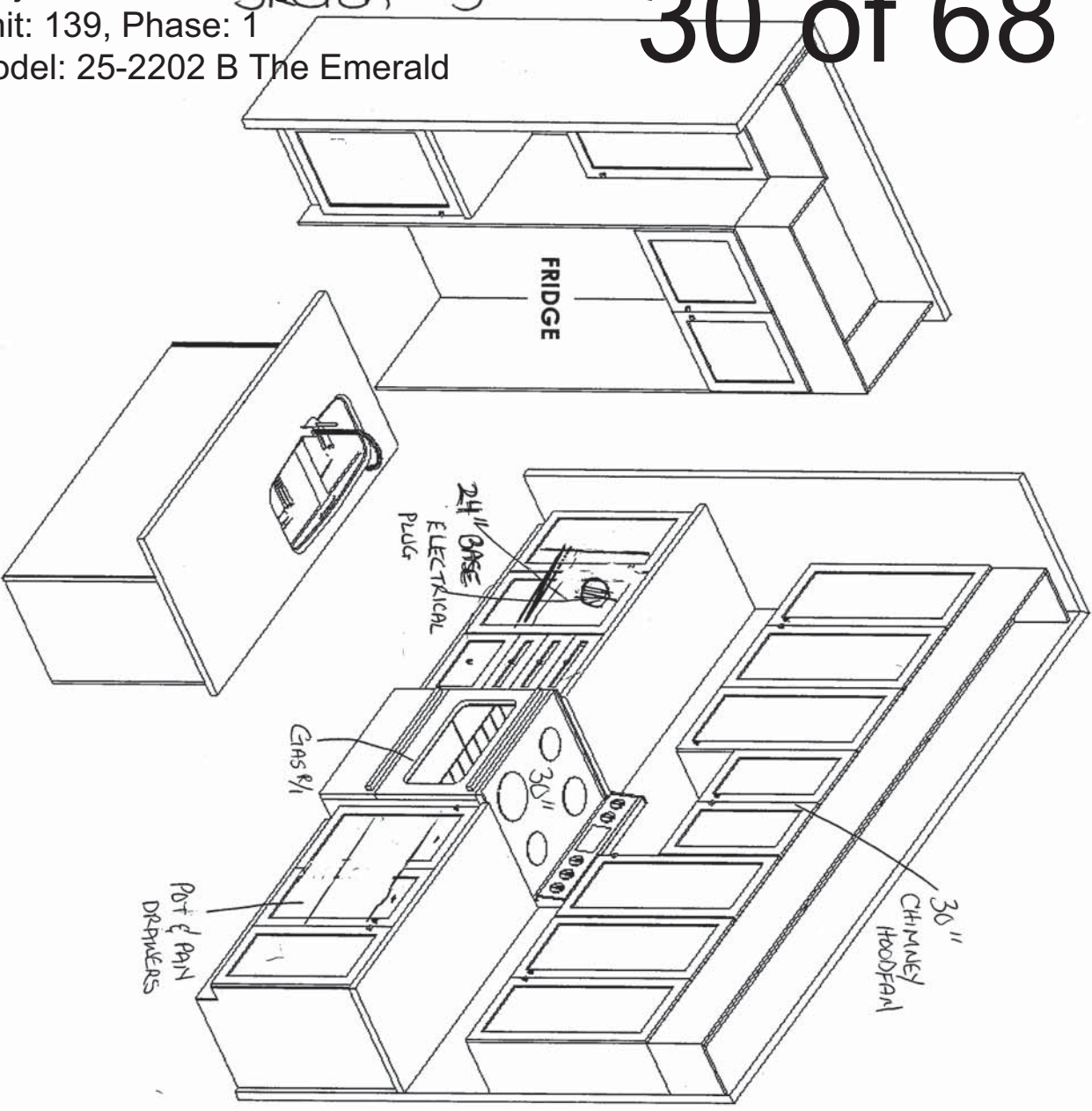
* Floor plan may vary due to grading conditions.

Sketch #2
 25-2202 ELEV. B
THE EMERALD
WILLIAMSBURG GREEN



* Floor plan may vary due to grading conditions.

Project: Williamsburg Green # 3
 Unit: 139, Phase: 1
 Model: 25-2202 B The Emerald



LIGHT VALANCE
 (INCLUDE LIGHTING)



F R E N D E L
 K I T C H E N S L I M I T E D
 1390 Shawson Drive, Mississippi, ON L4W 1C5

HEATHWOOD HOMES
 WILLIAMSBURG
MODEL: EMERALD
 25-2202 (3102)

STANDARD CONTRACT INCLUDES:

Appliance Openings

- Hood: 30"W Builder Hood
- Fridge Opening: 37 3/8 "W X 73 3/8"
- Fridge cabinet & gables: 66cm Deep
- Stove Opening: 30" Freestanding
- Dishwasher Opening: 24"

Standard Kitchens Scope:

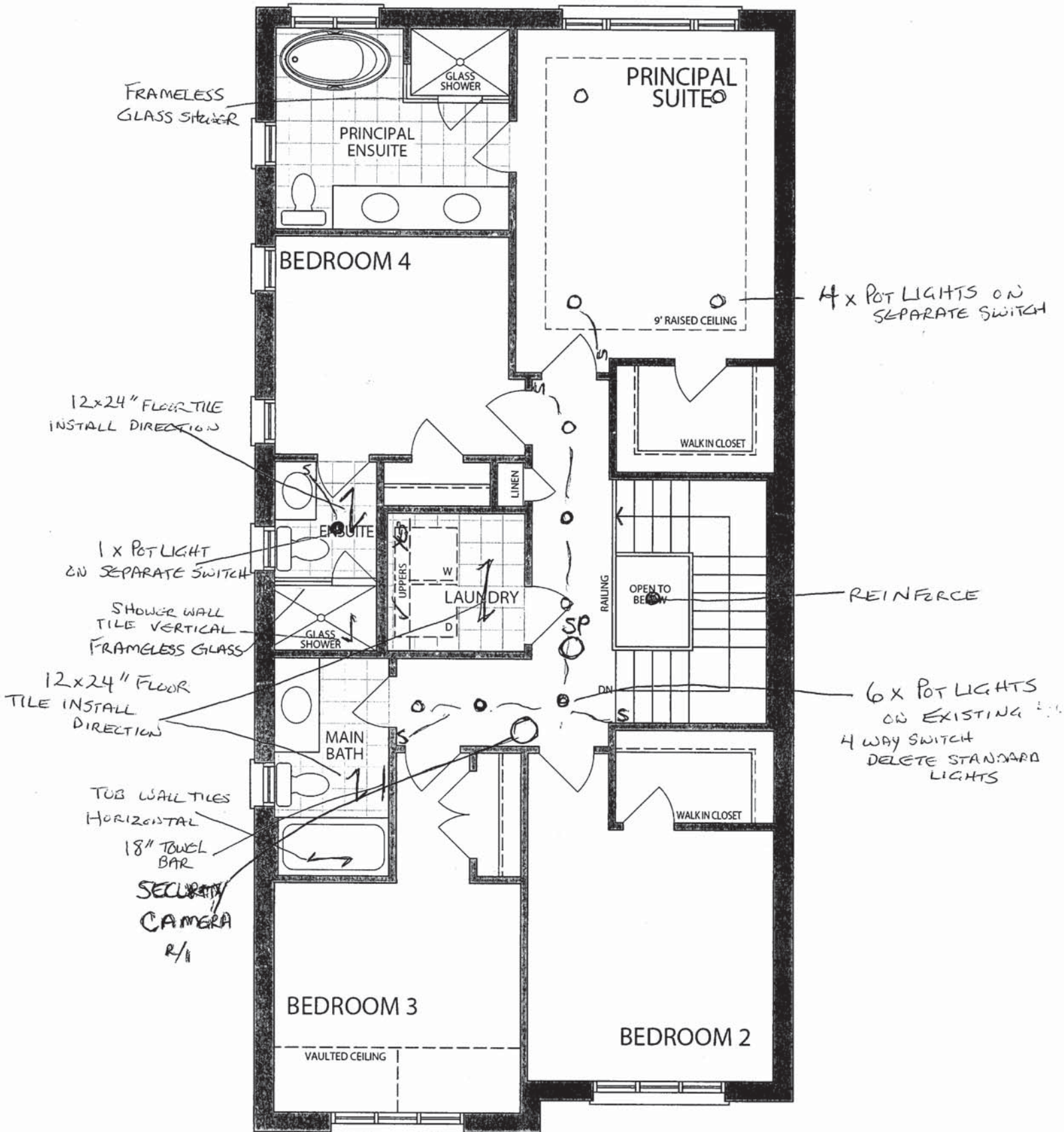
- 100cm H wall Cabinets
- 61cm H Opt. Laundry Uppers
- Standard Laundry Base
- Base Pie Cut Corner Cabinets
- Top Drawer In Principal Ensuite
- Std. Blumotion Hinges- **Soft Close Doors**
- Std. Metabox Drawers- **Not Soft Close**
- Backing on All Cabinets Except Sink Cabinet
- Countertop by Others for Kitchen and Principal Ensuite

Drawn By: Sepideh B & Saeid G
 Date: May 17, 2023
 Revision:
 Scale: Not To Scale

This sketch is for DESIGN PURPOSES ONLY – It is not meant to be an exact rendition.

THIS DRAWING IS FOR DESIGN PURPOSES ONLY.
 IT IS NOT AN EXACT RENDITION.

Sketch #4 THE EMERALD
 25-2202 ELEV. B WILLIAMSBURG GREEN

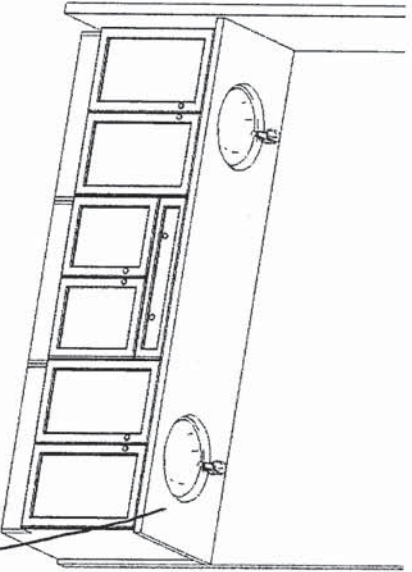


SECOND LEVEL
 ELEVATION B

* Floor plan may vary due to grading conditions.

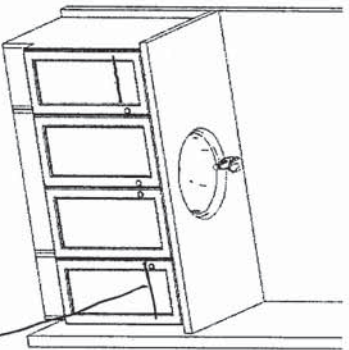
2ND FLOOR CABINETRY

PRINCIPAL ENSUITE



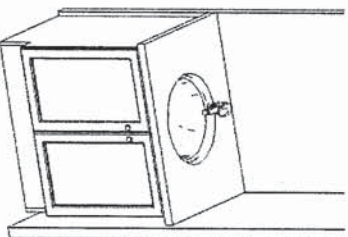
INCREASE
VANITY HEIGHT
TO KITCHEN HEIGHT

MAIN BATH



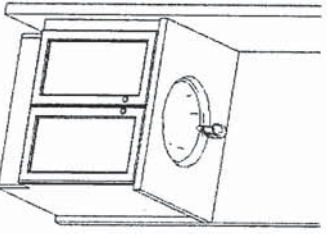
2x Top Drawers

ENSUITE 4

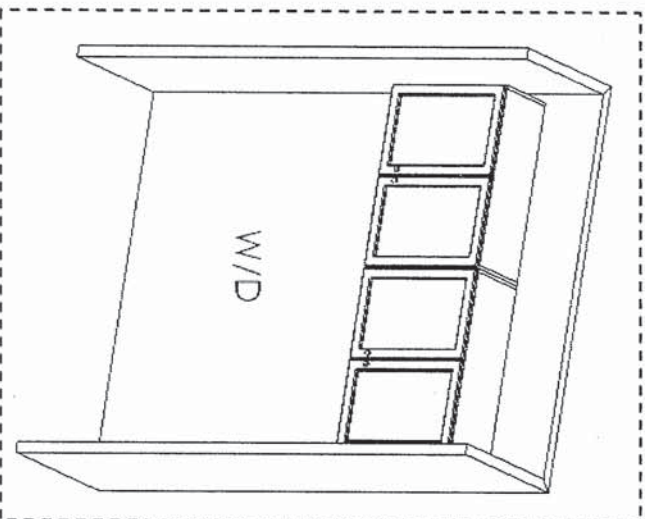


BASEMENT

OPT. FINISHED BASEMENT



LAUNDRY
OPT. LAUNDRY UPPERS ✓ YES



Project: Williamsburg Green # 5
Unit: 139, Phase: 1
Model: 25-2202 B The Emerald

This sketch is for DESIGN PURPOSES ONLY – It is not meant to be an exact rendition.



F R E N D E E
K I T C H E N S L I M I T E D
1350 Showson Drive, Mississippi, ON L4W 1C5

HEATHWOOD HOMES
WILLIAMSBURG
MODEL: EMERALD
25-2202 (3102)

STANDARD CONTRACT INCLUDES:

Appliance Openings

- Hood: 30"W Builder Hood
- Fridge Opening: 37 3/8 "W X 73 3/8"
- Fridge cabinet & gables: 66cm Deep
- Stove Opening: 30" Freestanding
- Dishwasher Opening: 24"

Standard Kitchens Scope:

- 100cm H wall Cabinets
- 61cm H Opt. Laundry Uppers
- Standard Laundry Base
- Base Pie Cut Corner Cabinets
- Top Drawer In Principal Ensuite
- Std. Blumotion Hinges- **Soft Close Doors**
- Std. Metabox Drawers- **Not Soft Close**
- Backing on All Cabinets Except Sink Cabinet
- Countertop by Others for Kitchen and Principal Ensuite

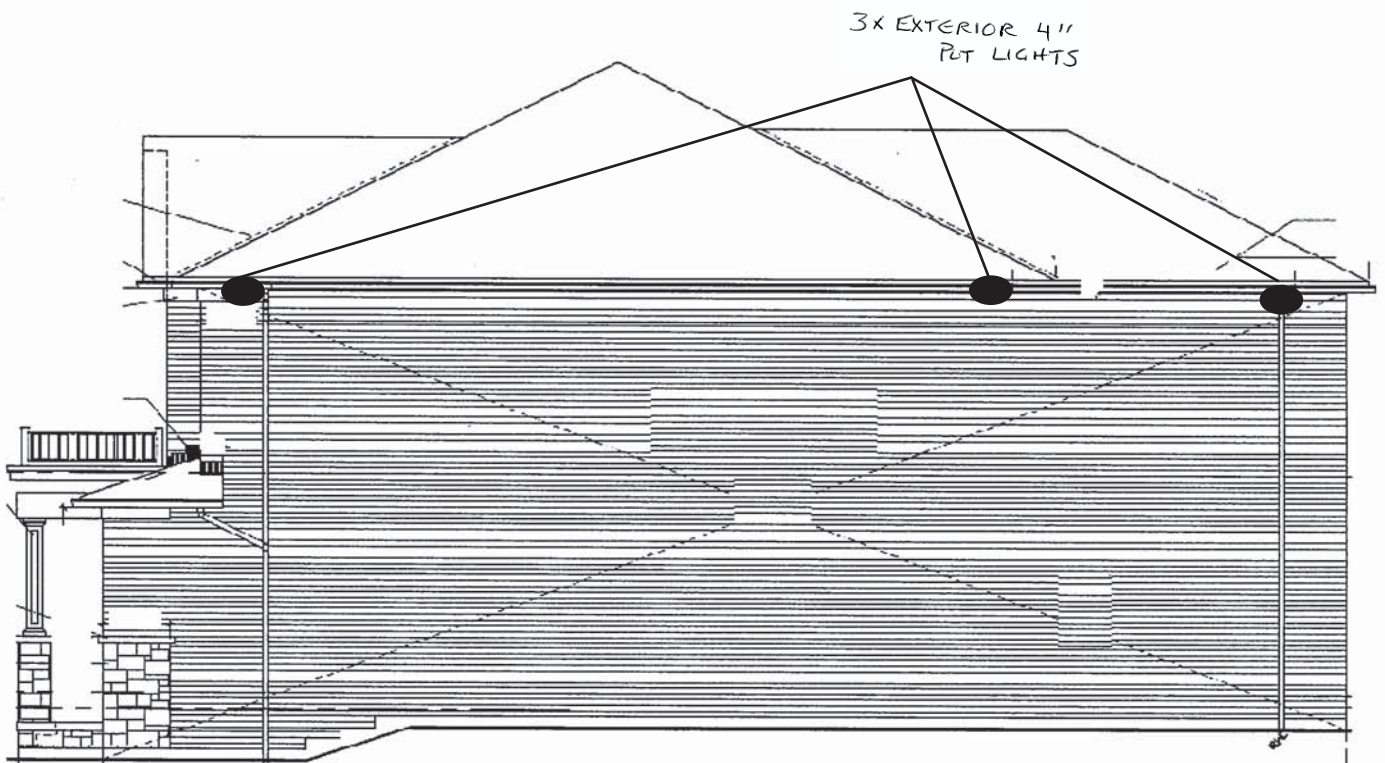
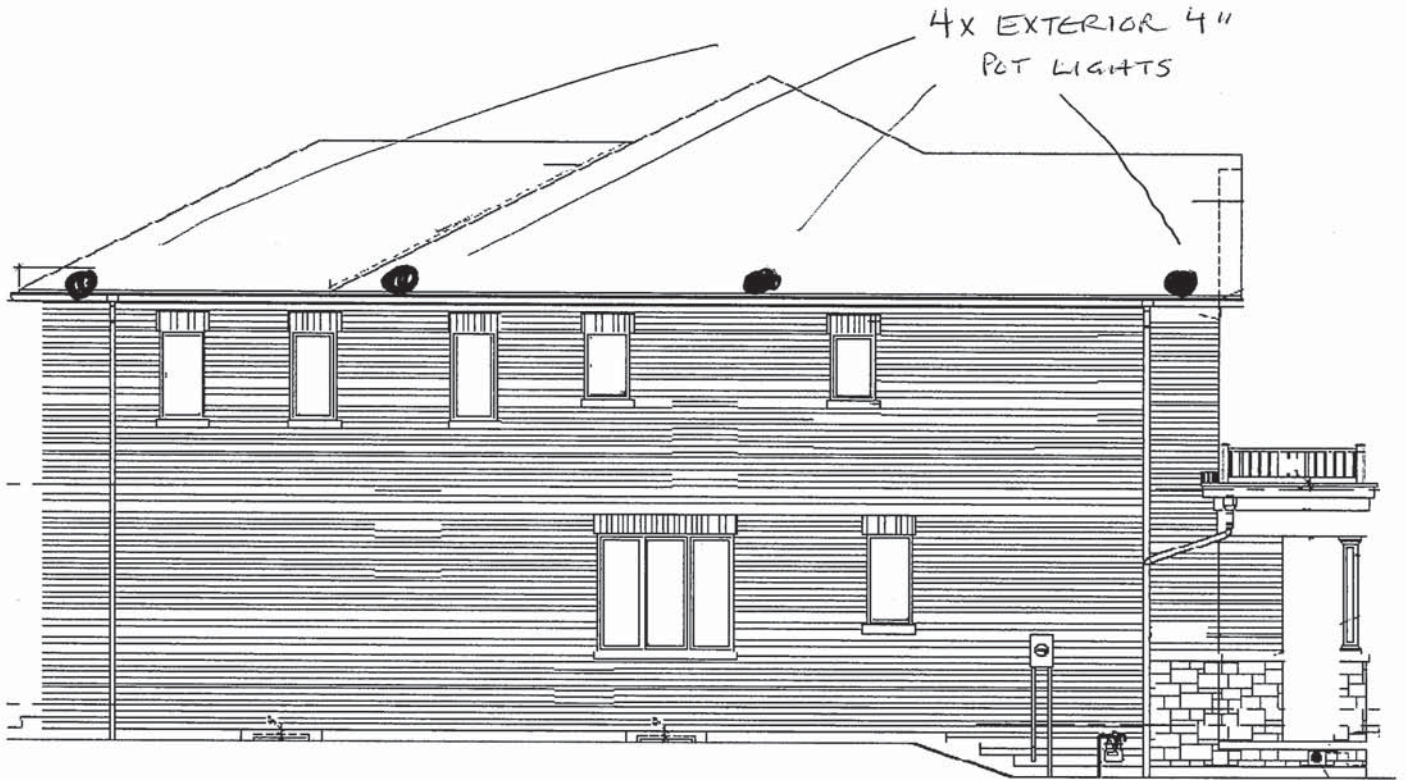
Drawn By: Sepideh B & Saeid G
Date: May 17, 2023
Revision:
Scale: Not To Scale

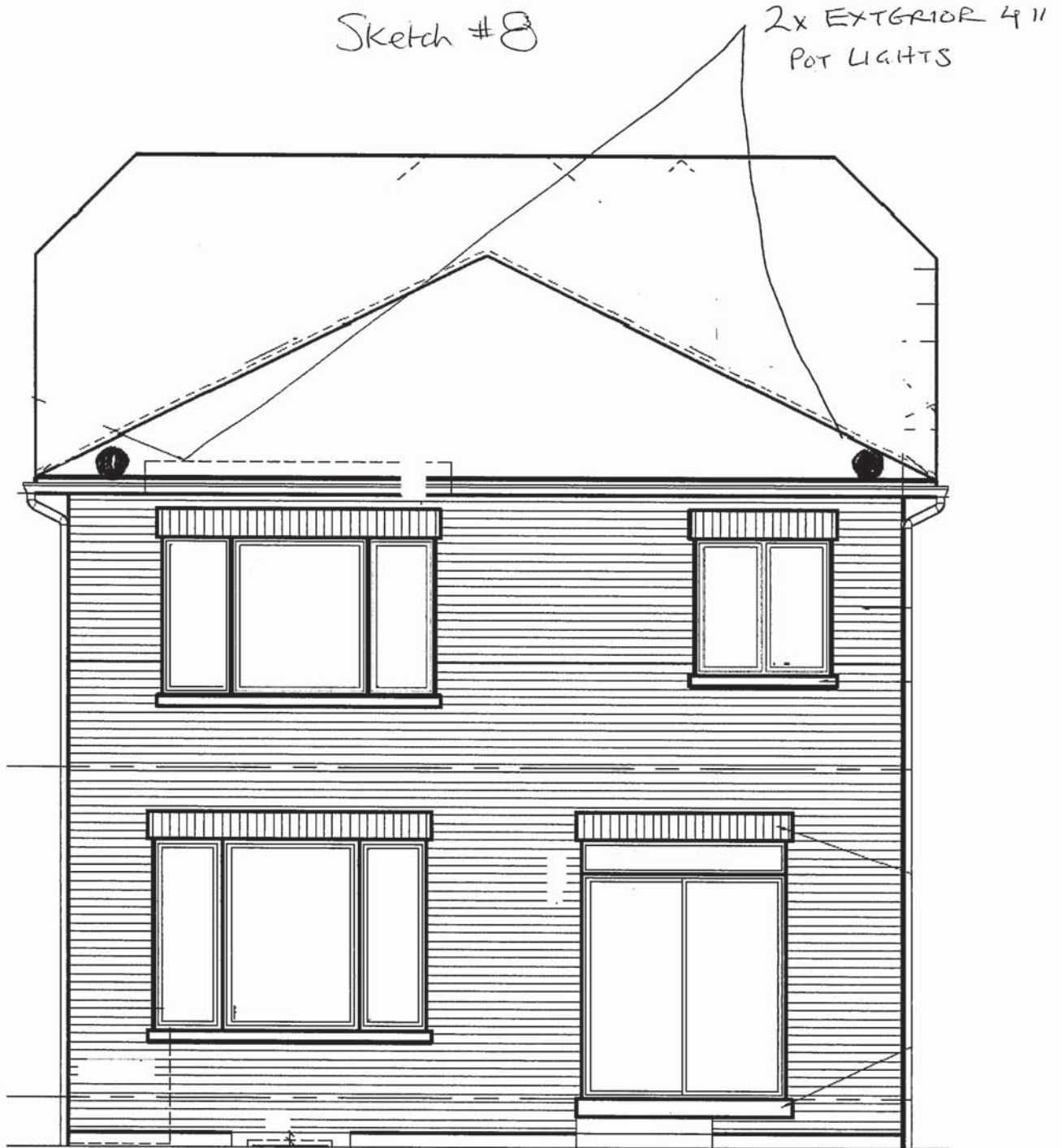
THIS DRAWING IS FOR DESIGN PURPOSES ONLY.
IT IS NOT AN EXACT RENDITION.

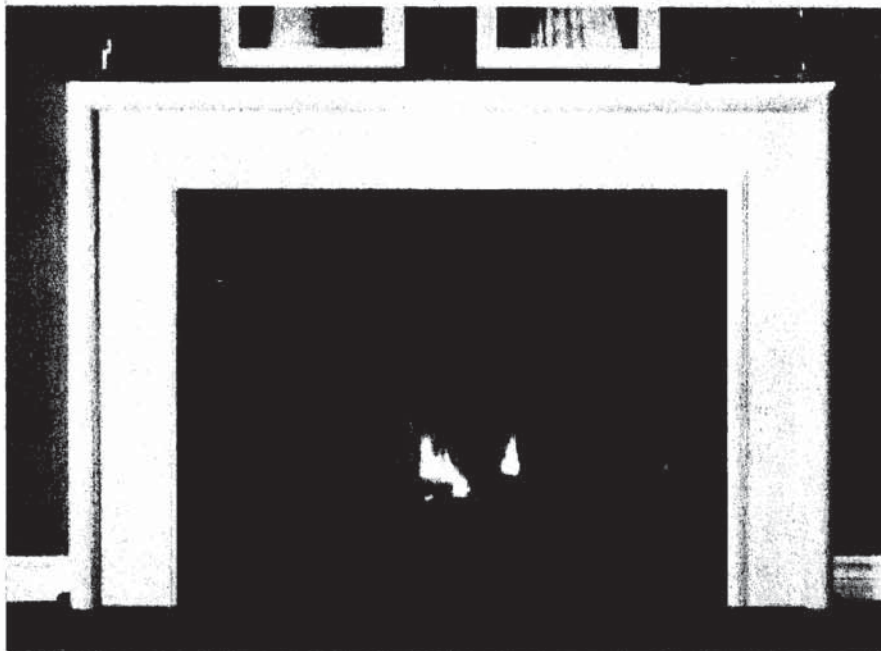
SKETCH # 6



Sketch # 7

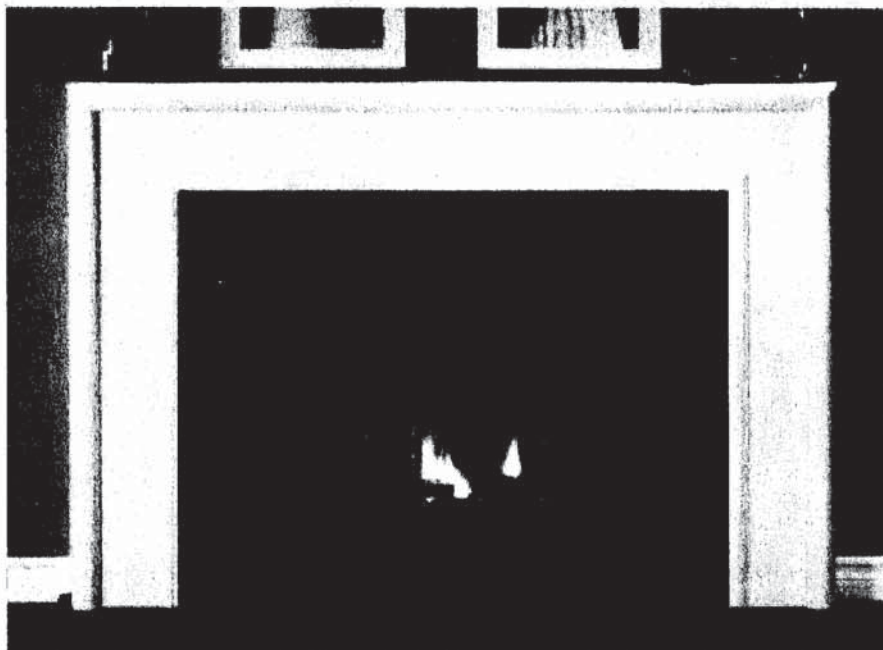






NEAS NF17 Mantel - CABINET

GREAT ROOM FIREPLACE



NFAS NF17 Mantel - CABINET

RECREATION ROOM FIREPLACE

ELECTRIC

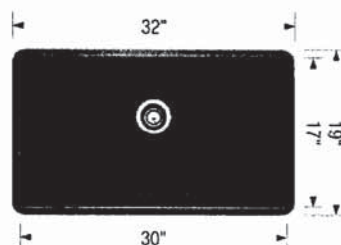
BLANCO

Sink Specifications

Colour	SKU
Café	400889
Anthracite	400890
Truffle	401143
Cinder	401397
Metallic Grey	401683
White	401820
Concrete Grey	402266
Coal Black	402660

PRECIS U SUPER SINGLE SILGRANIT

KITCHEN SINK



Design and planning tips

- Min cabinet size: 36 in (915 mm)
- Bowl Depth: 9,5 in (240.0 mm)

Specifications:

Mounting clips, Sink template, Installation instructions, 3½" (90 mm) stainless steel strainer(s), Limited Lifetime Warranty

To protect from damage, this model should be shipped on a pallet.

Depending on cabinet construction, a different cabinet size may be required. Consult the cabinet manufacturer.

Codes/Standards: CSA B45.8-18/ IAPMO Z403-2018

Optional Accessories

CapFlow Strainer Cover	517666
Floating Grid	406535
Sink Grid	406446
Mesh Basket	406399

Warranty

Limited lifetime warranty on all sinks and faucets. One-year warranty on all accessories and soap dispensers.

Code/Standards Compliance

BLANCO sinks and faucets are third-party tested and certified to CSA, cUPC, ANSI/ASME, IAPMO and NSF standards and listed by applicable certification bodies. For more information on individual product listings, contact our office or listing organization.



Need support? Learn more by watching our sink & faucet How-to videos:

<https://www.blanco.com/ca-en/support/how-to-videos/how-to-videos-for-sinks/>



BLANCO Canada Inc
100 Corporation Drive
Brampton ON L6S 6B5

Tel & Fax

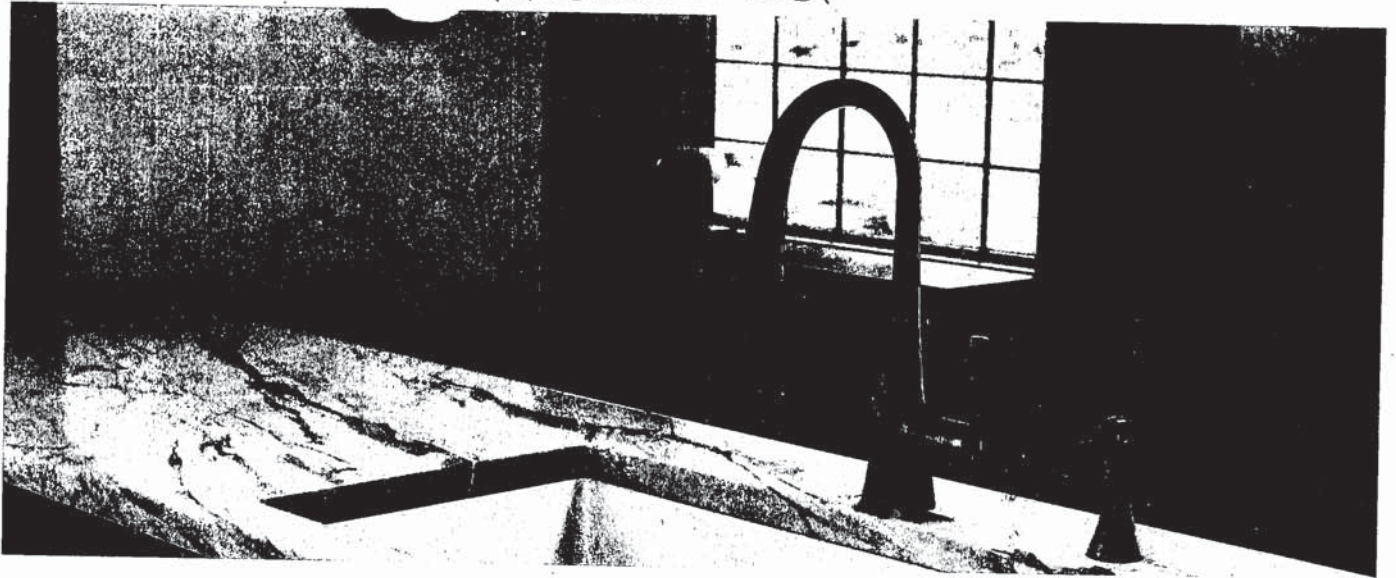
Tel: 905-494-2400 Toll free: 1-877-425-2626

Fax: 905-494-2425 Toll free: 1-877-825-2626

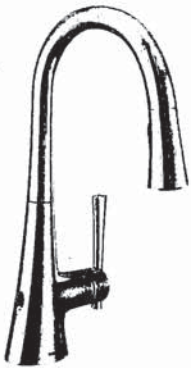
While BLANCO strives to provide accurate information, all images and dimensions in this document are intended for reference only and are subject to change at any time without notice. This document is not intended for use as an installation guide. For technical installation details, refer to installation instructions provided with the product. BLANCO assumes no responsibility for the use of superseded or voided specifications.

KURV™

KITCHEN FAUCET

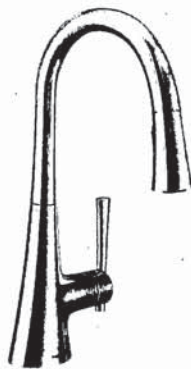


FAUCETS



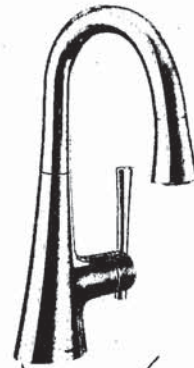
~~MotionSense Wave™
Hands-Free Single Handle
Pulldown Kitchen Faucet~~

~~9126EW
Chrome
Other~~



Single Handle Pulldown
Kitchen Faucet ✓

9126
~~Chrome~~
Other



~~Single Handle Bar/Prep
Faucet~~

~~6126
Chrome
Other~~

FINISH OPTIONS



Chrome [C], Polished Nickel [NL], Spot Resist™ Stainless [SRS], Matte Black [BL]

To order, combine the model number with one of these finish letter(s): Polished Nickel [NL], Spot Resist Stainless [SRS], & Matte Black [BL]. To order Chrome [C] models, use model number only. For Chrome MotionSense, order 9126EWC

*American
Standard*

POWDER ROOM

**BOULEVARD®
PEDESTAL SINK**
VITREOUS CHINA

BARRIER FREE (ABOVE COUNTER OR DROP-IN ONLY)

BOULEVARD® PEDESTAL SINK

- 0641.800** Faucet holes on 8" (203mm) centers (Illustrated)
- 0641.400** Faucet holes on 4" (102mm) centers
- 0641.100** Center hole only
 - Classic styled rectangular pedestal lavatory
 - Vitreous china
 - Rear overflow
 - Supplied with mounting kit
 - Right Height® for greater comfort during use
 - Faucet ledge with large deck area (faucet not included)
 - **Design coordinates with Boulevard® Toilet**
 - Basin has flat bottom to also allow use as an **above counter** sink or a **drop-in** sink (with u-shaped cut out)

Nominal Dimensions:

24" x 19" x 35-1/2"
(610 x 483 x 902mm)

- 0641.008** Pedestal top-8" (203mm) centers
- 0641.004** Pedestal top-4" (102mm) centers
- 0641.001** Pedestal top-center hole only
- 0010.000** Pedestal only

Bowl sizes:

17" (432mm) wide,
12-1/2" (318mm) front to back,
5" (127mm) deep

Compliance Certifications -

Meets or Exceeds the Following Specifications:

- ASME A112.19.2 - 2008/CSA B45.1-08



SEE REVERSE FOR ROUGHING-IN DIMENSIONS

To Be Specified:

- Color: White Linen
- Faucet Finish:
- Supplies:
- 1-1/4" Trap:
- Nipple:

* See faucet section for additional models available

American Standard x 3

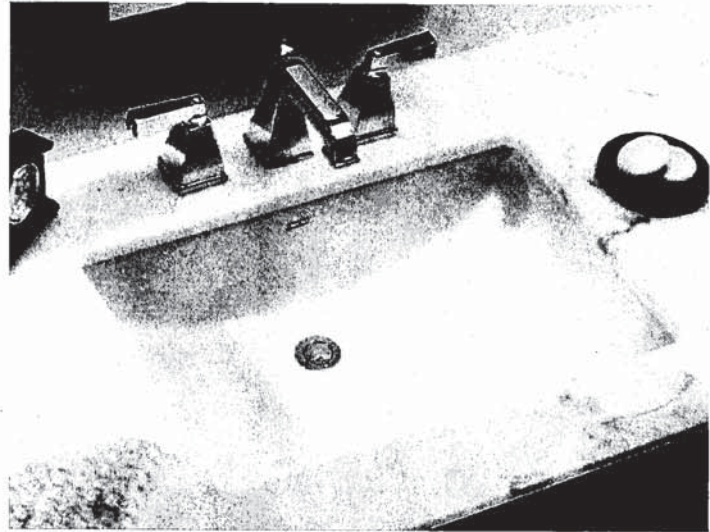
Style That Works Better

BARRIER FREE

2X PRINCIPAL ENSUITE / 1 X MAIN BATHROOMS **STUDIO™ UNDERCOUNTER SINK** VITREOUS CHINA

STUDIO™ UNDERCOUNTER SINK

- Rectangular undercounter mount sink
- Made from vitreous china
- Front overflow
- Supplied with mounting kit (047194-0070A) and template



0614.000 Unglazed Rim

540 x 387mm
 (21-1/4" x 15-1/4")

0614.300 Glazed underside

Bowl size:

464mm (18-1/4") wide
 308mm (12-1/8") front to back
 171mm (6-3/4") deep

0618.000 Unglazed Rim

600 x 422mm
 (23-5/8" x 16-5/8")

0618.300 Glazed underside

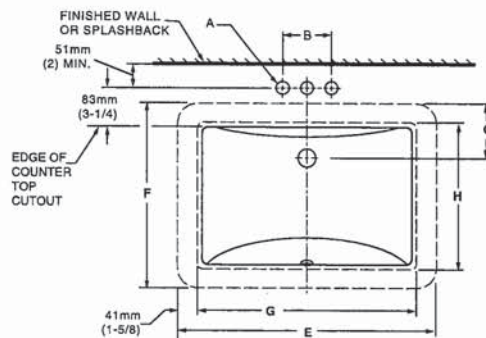
Bowl size:

537mm (21-1/8") wide
 356mm (14") front to back
 152mm (6") deep

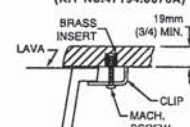
Compliance Certifications - Meets or Exceeds the Following Specifications:

- ASME A112.19.2M for Vitreous China Fixtures
- CAN/CSA B45 series

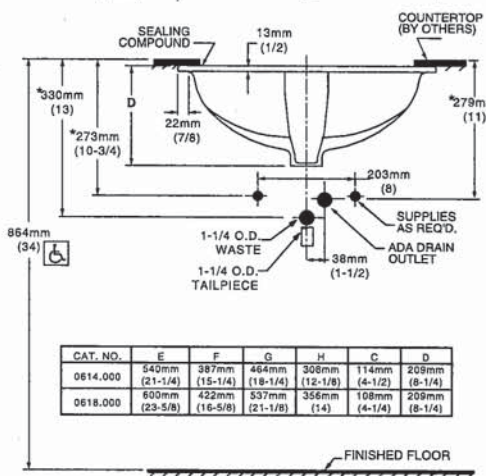
FITTING	A	B
CENTER-SET	1-1/16 (27mm)	4 (102mm)
SPREAD	1-1/4 (32mm)	8 (203mm)



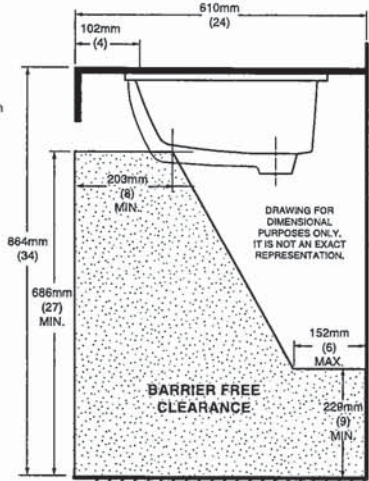
DETAIL OF MOUNTING CLIP (KIT No. 47194.0070A)



REFER TO INSTRUCTIONS PROVIDED WITH KIT FOR ADDITIONAL INFORMATION



CAT. NO.	E	F	G	H	C	D
0614.000	540mm (21-1/4)	387mm (15-1/4)	464mm (18-1/4)	308mm (12-1/8)	114mm (4-1/2)	209mm (8-1/4)
0618.000	600mm (23-5/8)	422mm (16-5/8)	537mm (21-1/8)	356mm (14)	108mm (4-1/4)	209mm (8-1/4)



To Be Specified:

- Color: White Bone Linen Black
- Faucet*:
- Faucet Finish:
- Supplies:
- 1-1/4" Trap:

* See faucet section for additional models available

NOTES:

WE RECOMMEND USING BASIN AS A TEMPLATE TO DETERMINE PROPER CONTOUR. CUT COUNTERTOP 38MM (1-1/2") INSIDE BASIN CONTOUR. * DIMENSIONS SHOWN FOR LOCATION OF SUPPLIED AND "P" TRAP ARE SUGGESTED.

UNDERCOUNTER MOUNTING KIT SUPPLIED WITH SINK. FITTINGS NOT INCLUDED WITH FIXTURE AND MUST BE ORDERED SEPARATELY. SEALING COMPOUND SUPPLIED BY OTHERS.

IMPORTANT: Dimensions of fixtures are nominal and may vary within the range of tolerances established by ANSI Standard A112.19.2. These measurements are subject to change or cancellation. No responsibility is assumed for use of superseded or voided pages.

MEETS THE AMERICANS WITH DISABILITIES ACT GUIDELINES AND ANSI A117.1 ACCESSIBLE AND USABLE BUILDINGS AND FACILITIES - CHECK LOCAL CODES.

- Countertop 864mm (34") from finished floor. Lavatory installed 102mm (4") from front edge of countertop. Countertop thickness to be 25mm (1") maximum.

American Standard

Style That Works Better

 BARRIER FREE

ENSUITE 4
FINISHED BASEMENT
BATHROOMS X 2

OVALYN™
UNDERCOUNTER SINK
VITREOUS CHINA

OVALYN™ UNDERCOUNTER SINK

- Classic oval undermount sink
- Made from vitreous china
- Front overflow
- Supplied with mounting kit (047194-0070A) and template

0495.221 Unglazed rim
435 x 359mm
(17-1/8" x 14-1/8")

0495.300 Glazed underside

Bowl size:

382mm (15-1/16") wide
306mm (12-1/16") front to back
140mm (5-1/2") deep

0496.221 Unglazed rim
489 x 413mm
(19-1/4" x 16-1/4")

0496.300 Glazed underside

Bowl size:

432mm (17") wide
356mm (14") front to back
140mm (5-1/2") deep

0497.221 Unglazed rim
546 x 441mm
(21-1/2" x 17-3/8")

0497.300 Glazed underside

Bowl size:

483mm (19") wide
391mm (15-3/8") front to back
140mm (5-1/2") deep

Compliance Certifications -

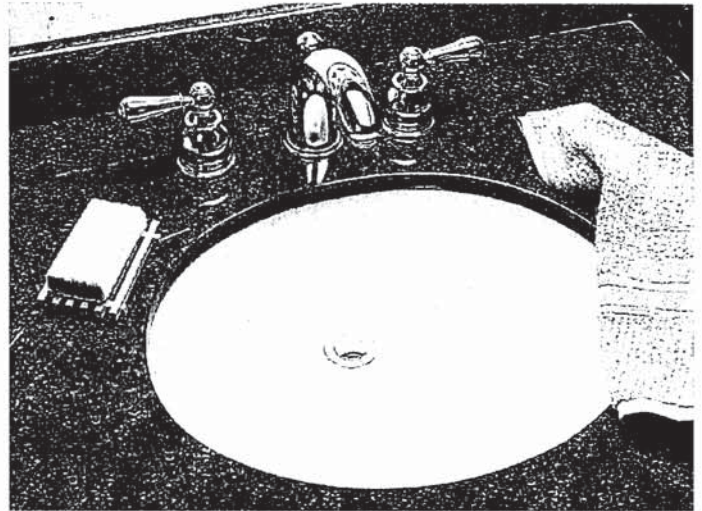
Meets or Exceeds the Following Specifications:

- ASME A112.19.2M for Vitreous China Fixtures
- CAN/CSA B45 series

To Be Specified:

- Color: White Bone Linen
 Silver Fawn Beige Black
- Faucet*:
 Faucet Finish:
 Supplies:
 1-1/4" Trap:

* See faucet section for additional models available



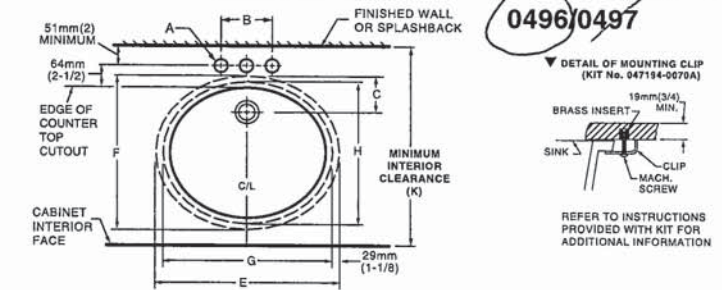
SEE REVERSE FOR ROUGHING-IN DIMENSIONS

American Standard

Style That Works Better

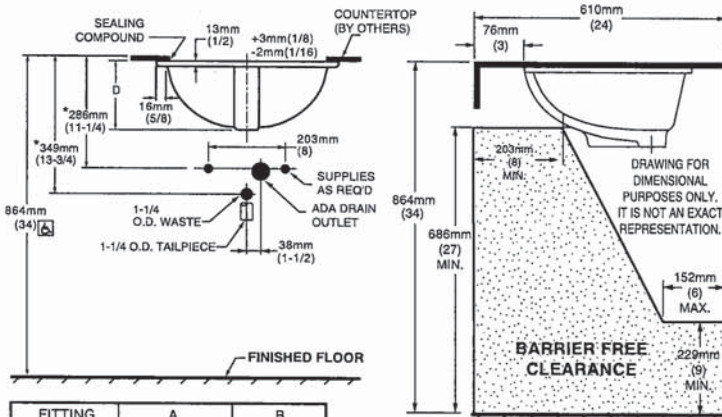
BARRIER FREE

OVALYN™
UNDERCOUNTER SINK
 VITREOUS CHINA



NOTES:
 * DIMENSIONS SHOWN FOR LOCATION OF SUPPLIED AND "P" TRAP ARE SUGGESTED.
 ▼ UNDERCOUNTER MOUNTING KIT SUPPLIED WITH SINK. PLEASE NOTE MINIMUM INTERIOR CLEARANCE DIMENSION (K). FITTINGS NOT INCLUDED AND MUST BE ORDERED SEPARATELY. USE ENCLOSED TEMPLATE FOR COUNTERTOP CUTOUT SEALING COMPOUND SUPPLIED BY OTHERS.

IMPORTANT: Dimensions of fixtures are nominal and may vary within the range of tolerances established by ANSI Standard A112.19.2. These measurements are subject to change or cancellation. No responsibility is assumed for use of superseded or voided pages.

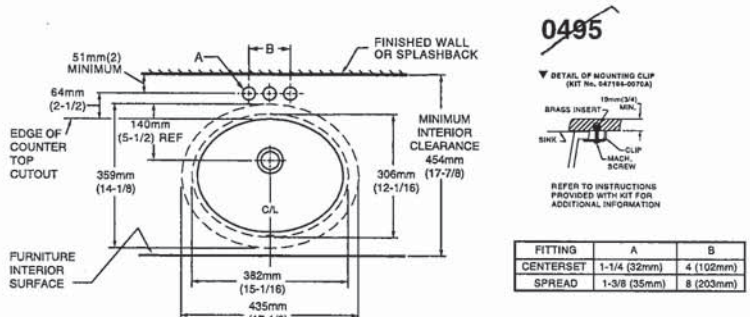


MEETS THE AMERICANS WITH DISABILITIES ACT GUIDELINES AND ANSI A117.1 ACCESSIBLE AND USEABLE BUILDINGS AND FACILITIES - CHECK LOCAL CODES.

Countertop 864mm (34") from finished floor. Lavatory installed 76mm (3") from front edge of countertop. Countertop thickness to be 25mm (1") maximum.

FITTING	A	B
CENTERSET	1-1/4 (32mm)	4 (102mm)
SPREAD	1-3/8 (35mm)	8 (203mm)

CAT. NO.	E	F	G	H	C	D	J	K
0496.221	489mm (19-1/4)	413mm (16-1/4)	432mm (17)	356mm (14)	103mm (4-1/16)	182mm (7-3/16)	16mm (5/8)	500mm (19-11/16)
0497.221	546mm (21-1/2)	441mm (17-3/8)	483mm (19)	391mm (15-3/8)	95mm (3-3/4)	191mm (7-1/2)	19mm (3/4)	534mm (21-1/16)



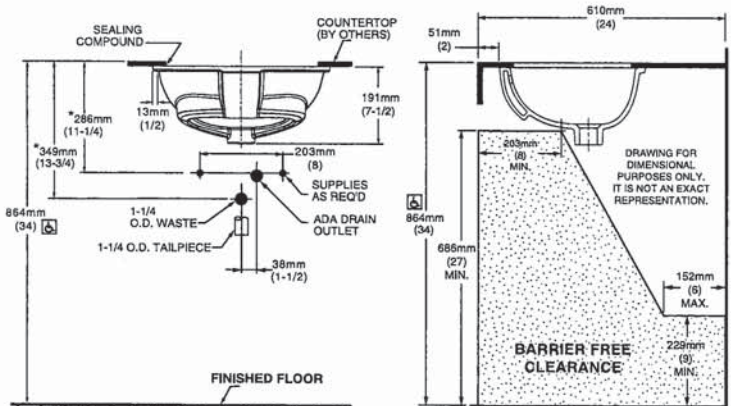
FITTING	A	B
CENTERSET	1-1/4 (32mm)	4 (102mm)
SPREAD	1-3/8 (35mm)	8 (203mm)

NOTES:
 USE ENCLOSED TEMPLATE FOR COUNTER TOP CUTOUT. FITTINGS NOT INCLUDED WITH FIXTURE AND MUST BE ORDERED SEPARATELY.
 * DIMENSIONS SHOWN FOR LOCATION OF SUPPLIED AND "P" TRAP ARE SUGGESTED.
 ▼ UNDERCOUNTER MOUNTING KIT SUPPLIED WITH SINK. PLEASE NOTE MINIMUM INTERIOR CLEARANCE DIMENSION (K). SEALING COMPOUND SUPPLIED BY OTHERS.

IMPORTANT: Dimensions of fixtures are nominal and may vary within the range of tolerances established by ANSI Standard A112.19.2. These measurements are subject to change or cancellation. No responsibility is assumed for use of superseded or voided pages

MEETS THE AMERICANS WITH DISABILITIES ACT GUIDELINES AND ANSI A117.1 ACCESSIBLE AND USEABLE BUILDINGS AND FACILITIES - CHECK LOCAL CODES.

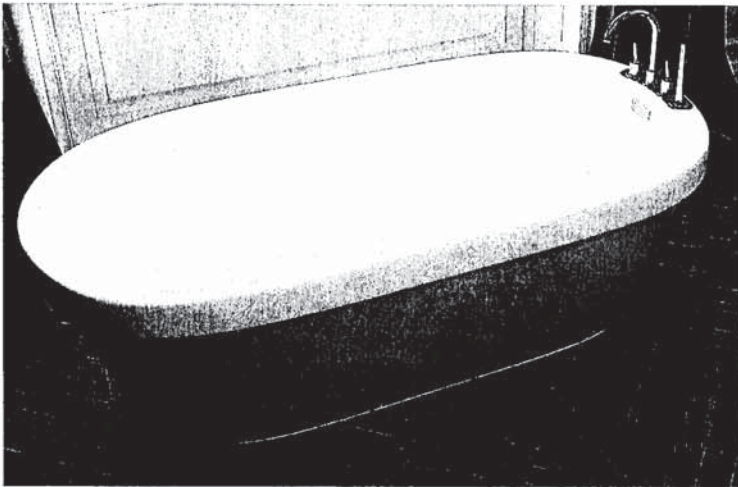
Countertop 864mm (34") from finished floor. Lavatory installed 51mm (2") from front edge of countertop. Countertop thickness to be 25mm (1") maximum.





PRINCIPAL
 ENSUITE

DEMI™ Product Specification Sheet



Two Piece Freestanding Collection

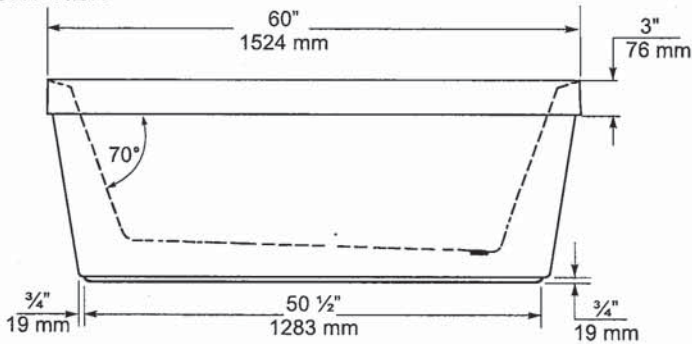
CF2007 Two Piece Freestanding Soaker
 Size: 60" x 32" x 22"
 1524 mm x 813 mm x 559 mm

PRODUCT FEATURES & BENEFITS

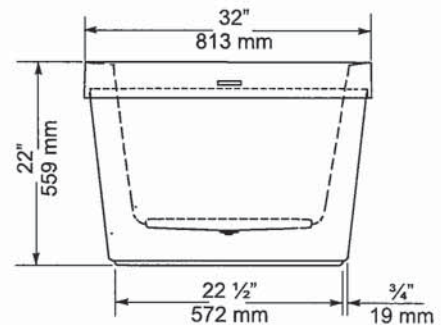
- Vacuum formed acrylic reinforced with fiberglass
- Scratch, stain and fade resistant high gloss finish
- Installation friendly two piece design
- Accepts deck mounted faucet
- Includes integral pop up drain and rectangular overflow
- Includes levelling feet

TWO PIECE ASSEMBLY

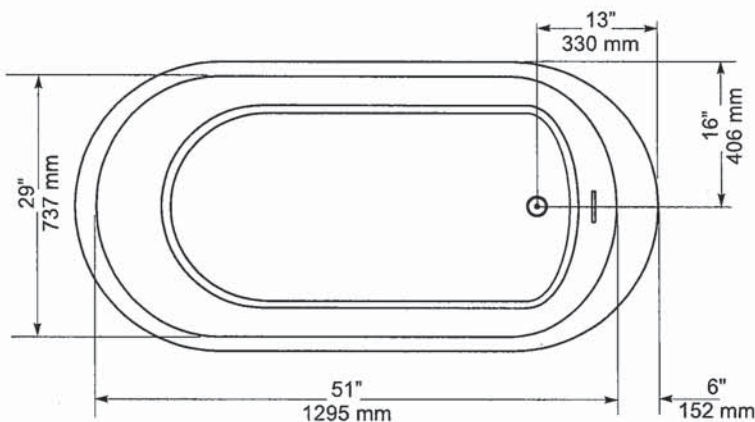
FRONT VIEW



END VIEW



TOP VIEW



GENERAL SPECIFICATIONS

Average Weight	90 lb	41 kg
Bathing Well at bottom	43" x 20"	1092 x 508 mm
Capacity Drain to Overflow		195 litres
Water Depth Drain to Overflow	16"	406 mm
Drain Opening (dia.)	2"	51 mm
Overflow Opening	2 1/4" x 1/2"	57 x 13 mm
Drain to Floor Clearance	3 1/4"	83 mm

NOTES: Please confirm measurements on actual product to ensure proper identification. Bathtub to be installed on the floor supported by 5 self levelling feet. Adjust if required to level the bathtub for adequate drainage. Refer to installation instructions for additional information.

IMPORTANT: Dimensions of fixtures are nominal and may vary ± 1/4" (6 mm). Weight may vary ± 5 lb (2.3 kg). Drawing is not to scale. These measurements are subject to change at manufacturer's discretion.

Compliance Certifications -

Meets or Exceeds the following Specifications:

- CAN/CSA - B45 Series



mirolin.

60 Shorncliffe Rd., Toronto, Ontario M8Z 5K1
 Telephone: 416.231.9030 Fax: 416.231.0929
 www.mirolin.com

© 2018 Mirolin Industries Corp.

Customer Service: 416.231.5790
 Canada, U.S.A.: 800.MIROLIN(647-6546)
 Fax, Canada: 800.463.2236

R0084162
 25 Sep. 2018



VORMAX® UHET
RIGHT HEIGHT® ELONGATED TOILET
 BARRIER FREE
 VITREOUS CHINA

VORMAX® UHET
RIGHT HEIGHT® ELONGATED TOILET

238AA.114

- VorMax flushing technology cleans two times better than conventional toilets**
- Combination bowl and tank, less seat
- 12" (305 mm) rough-in
- Right Height elongated siphon action bowl
- Ultra-high efficiency toilet (UHET) 1.0 gpf/3.8 Lpf
- Meets EPA WaterSense® and MaP Premium criteria
- EverClean® Antimicrobial Surface
- Transitional styling
- Includes EZ-Install Tools
- CleanCurve™ rim eliminates rim area where dirt and build-up hide
- 16-1/2" (419 mm) rim height for accessible applications
- 2-1/16" (52 mm) trapway
- Dual injection flush valves
- Chrome trip lever
- Two color-matched bolt caps
- 10 year warranty

238AA.115 Same as above except trip lever on right hand side

3385A.101 Right Height® Elongated Bowl

4385A.114 UHET Tank

Nominal Dimensions:

30-3/16" x 17-7/8" x 32-1/4"
 (767 x 453 x 820mm)

Fixture only, seat and supply sold separately

Alternative Tank Configuration Available:

- 4385A.115** Tank complete with trip lever located on right side

Compliance Certifications -

Meets or Exceeds the Following Specifications:

- ASME A112.19.2/CSA B45.1 for Vitreous China Fixtures
- US EPA WaterSense® Specification for UHETs

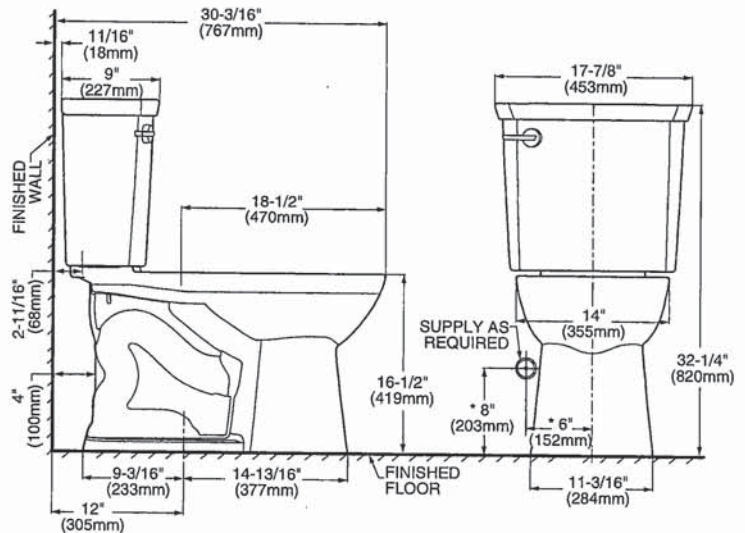
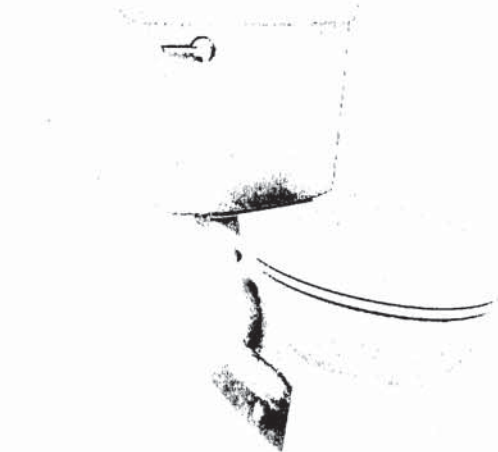
To Be Specified:

- Color: White
- Seat: #5055A.65C Elongated Slow Close solid plastic seat and cover
- Supply with stop:

** Source: IAPMO R&T Labs Test Report No. 109-141486-002, comparing VorMax against conventional under-the-rim-water-dispersal toilets from major retailers.



MEETS THE AMERICANS WITH DISABILITIES ACT GUIDELINES AND ICC ANSI A117.1 REQUIREMENTS FOR ACCESSIBLE AND USABLE BUILDING FACILITIES-CHECK LOCAL CODES.



NOTES:

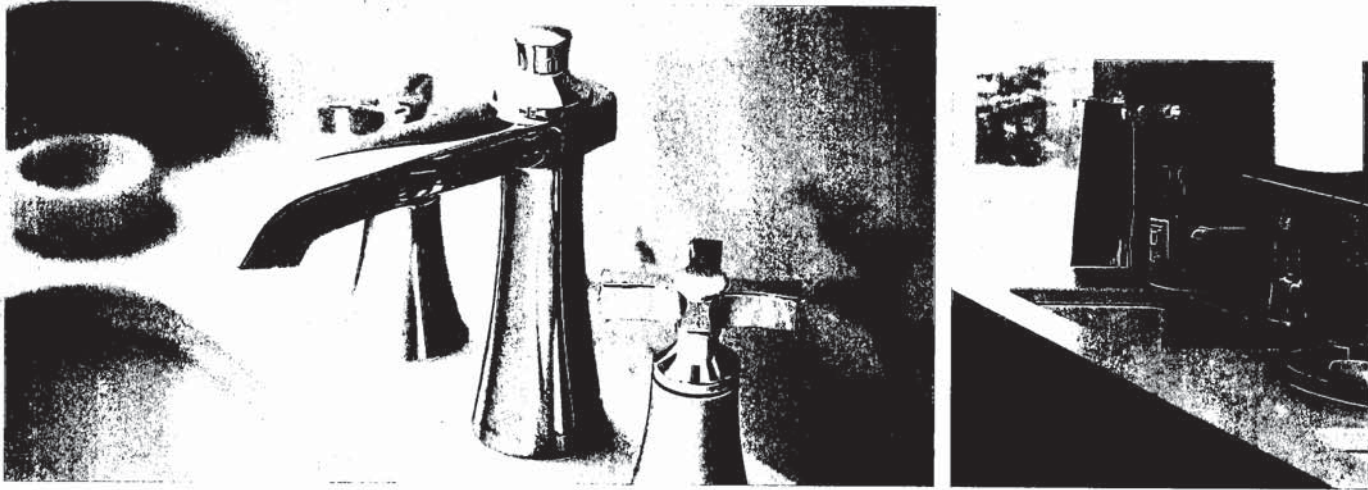
THIS TOILET IS DESIGNED TO ROUGH-IN AT A MINIMUM DIMENSION OF 305MM (12") FROM FINISHED WALL TO C/L OF OUTLET. SUPPLY NOT INCLUDED WITH FIXTURE AND MUST BE ORDERED SEPARATELY. * DIMENSION SHOWN FOR LOCATION OF SUPPLY IS SUGGESTED.

IMPORTANT: Dimensions of fixtures are nominal and may vary within the range of tolerances established by ANSI Standard A112.19.2. These measurements are subject to change or cancellation. No responsibility is assumed for use of superseded or voided pages.

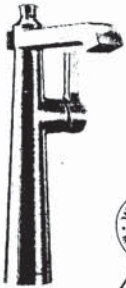
EVERCLEAN®
 Surface



Flara®



LAVATORY FAUCETS



Single Handle Vessel Lav Faucet with Lift Rod Drain

S6982 / 140780

Chrome

Other

Single hole installation



Single Handle Lav Faucet with Lift Rod Drain

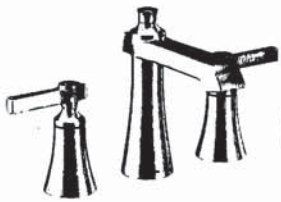
S6981

Chrome

Other

Single hole installation

3 x
 FINISHED BASEMENT
 POWDER ROOM
 ENSUITE 4



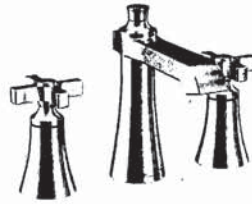
- 1 x
 MAIN BATH

Two Handle Adjustable Widespread (8" - 16") Lav Faucet with Lift Rod Drain

TS6984 / 69000

Chrome

Other



- 2 x PRINCIPAL
 ENSUITE
 BATHROOM

Two Handle Adjustable Widespread (8" - 16") Lav Faucet with Lift Rod Drain (Cross Handles)

TS6985 / 69000

Chrome

Other

FLARA FINISH OPTIONS



Chrome, Lifeshine® Brushed Nickel (BN),
 Brushed Gold (BG), Polished Nickel (NL)

To order, combine the model number with one of these finish letter(s): Lifeshine® Brushed Nickel (BN), Brushed Gold (BG), Polished Nickel (NL). To order Chrome (C) model, use model number only.

Flara®

ROMAN TUB FAUCETS

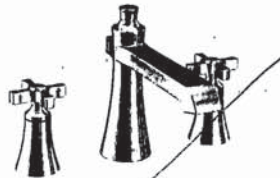


Two Handle Roman Tub Faucet

TS926 / 4796

Chrome \$1,195.00

Other \$1,295.00



**Two Handle Roman Tub Faucet
(Cross Handles)**

TS927 / 4796

Chrome \$1,195.00

Other \$1,295.00



Tub Drain Half Kit

T90331 / 140680

Chrome \$125.00

Other \$135.00



Tub Drain Half Kit

T90331 / 140680

Chrome \$125.00

Other \$135.00



**Two Handle Roman Tub Faucet
with Hand Shower**

TS928 / 9796

Chrome \$1,495.00

Other \$1,595.00



**Two Handle Roman Tub Faucet with
Hand Shower (Cross Handles)**

TS929 / 9796

Chrome \$1,495.00

Other \$1,595.00



Tub Drain Half Kit

T90331 / 140680

Chrome \$125.00

Other \$135.00



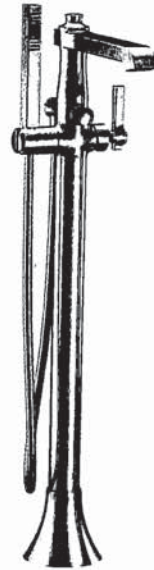
Tub Drain Half Kit

T90331 / 140680

Chrome \$125.00

Other \$135.00

TUB FILLER



**One-handle tub filler
includes hand shower**

S931 / TS50100

Chrome \$205.00

Other \$215.00

1 X
PRINCIPAL
ENSUITE
BATHROOM

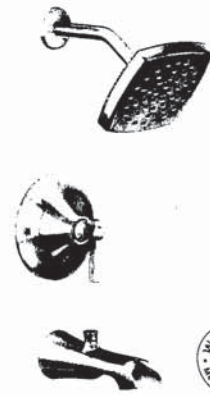
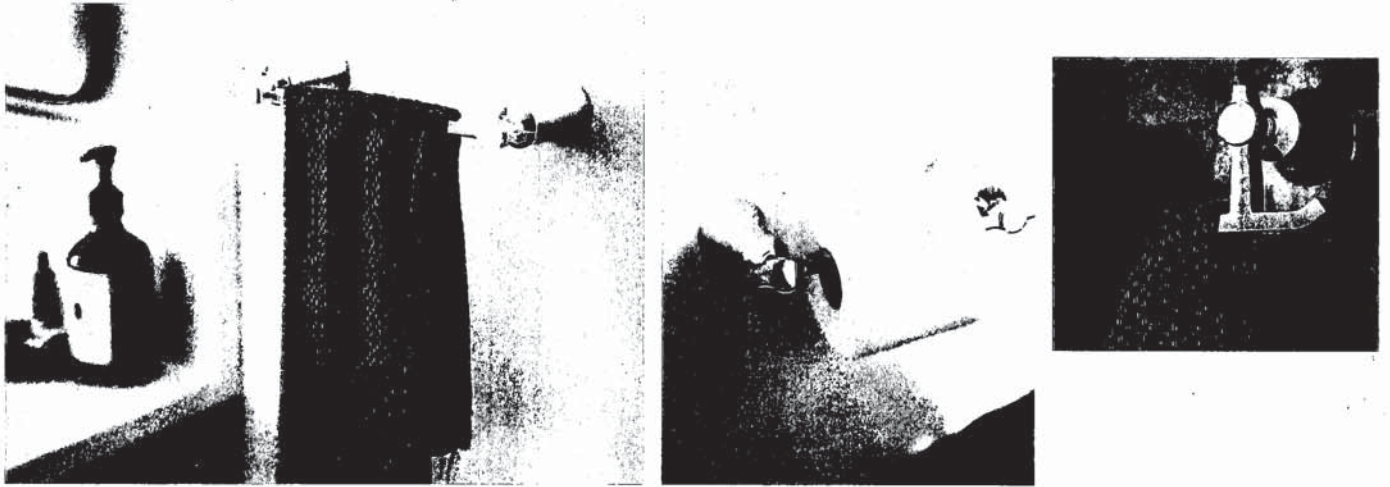
FLARA FINISH OPTIONS



Chrome, Lifeshine® Brushed Nickel (BN),
Brushed Gold (BG), Polished Nickel (NL)

To order, combine the model number with one of these finish letter(s): Lifeshine® Brushed Nickel (BN), Brushed Gold (BG), Polished Nickel (NL). To order Chrome (C) model, use model number only.

Flara®



X 3
 FINISHED BASEMENT
 BATHROOM
 MAIN BATHROOM
 ENSUITE 4 BATHROOM

**Eco-Performance Posi-Temp®
 Tub/Shower Faucet***

TS2913EP / 62320

Chrome

Other



1 X
 PRINCIPAL
 ENSUITE BATHROOM

**Eco-Performance Posi-Temp®
 Shower Only***

TS2912EP / 62320

Chrome

Other

FLARA FINISH OPTIONS



Chrome, Lifeshine®, Brushed Nickel (BN),
 Brushed Gold (BG), Polished Nickel (NL)


To order, combine the model number with one of these finish letter(s). Lifeshine® Brushed Nickel (BN), Brushed Gold (BG), Polished Nickel (NL). To order Chrome (C) model, use model number only.

* Refer to the Shower Design Guide for Installation Instructions

Handshowers with Slide Bars

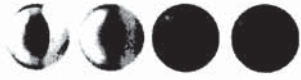


ECO-PERFORMANCE HANDSHOWERS




5F Eco-Performance Handshower with Slide Bar
3558EP / A725

Chrome
Other




Chrome, LifeShine® Brushed Nickel (BN), Oil Rubbed Bronze (ORB), Matte Black (BL)

PRINCIPAL
/ ENSUITE
BATHROOM




4F Eco-Performance Handshower with Slide Bar
3667EP / A725

Chrome
Other




Chrome, LifeShine® Brushed Nickel (BN), LifeShine® Polished Nickel (NL), Oil Rubbed Bronze (ORB)



1F Eco-Performance Handshower with Slide Bar
3668EP / A725

Chrome
Other



Chrome, LifeShine® Brushed Nickel (BN), Oil Rubbed Bronze (ORB)

To order, combine the model number with one of these finish letter(s): LifeShine® Brushed Nickel (BN), LifeShine® Polished Nickel (NL), Oil Rubbed Bronze (ORB) & Matte Black (BL). To order Chrome (C), use model number only.

Flara®

MATCHING ACCESSORIES



Toilet Tank Lever
 YB0301
 Chrome
 Other



Hand Towel Bar
 YB0386
 Chrome
 Other

*X1
 POWDER ROOM*



18" Towel Bar
 YB0318
 Chrome
 Other

*X2
 MAIN BATH
 FINISHED BASEMENT
 BATH*



Double Robe Hook
 YB0303
 Chrome
 Other



Knob
 YB0305
 Chrome
 Other



24" Towel Bar
 YB0324
 C.
 Other \$174.25



24" Double Towel Bar
 YB0322
 Chrome
 Other



Pivoting Paper Holder
 YB0308 (P)
 Chrome
 Other

*X5
 ALL BATHROOMS*



Pull
 YB0307
 Chrome
 Other



Vanity Shelf
 YB0390
 Chrome
 Other

FLARA FINISH OPTIONS

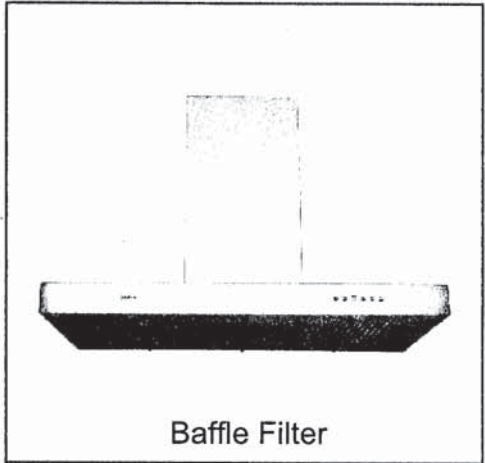


Chrome (CH), Lifeshine® Brushed Nickel (BN),
 Brushed Gold (BG), Polished Nickel (NL)

To order, combine the model number with one of these finish letter(s):
 Chrome (CH), Lifeshine®
 Brushed Nickel (BN),
 Brushed Gold (BG),
 Polished Nickel (NL).

(P) Pivoting Technology

SC(B)514 | ALITO Collection



Wall Mount

The SC(B)514 makes a statement of strength and power with a bold frame and 550 CFM fan. Features mesh or baffle filters, two bright LED lights and a three-speed panel for total control. It is also fitted with a time-delay OFF feature up to nine minutes.

Green Features



3 Speed Push Button Control Panel



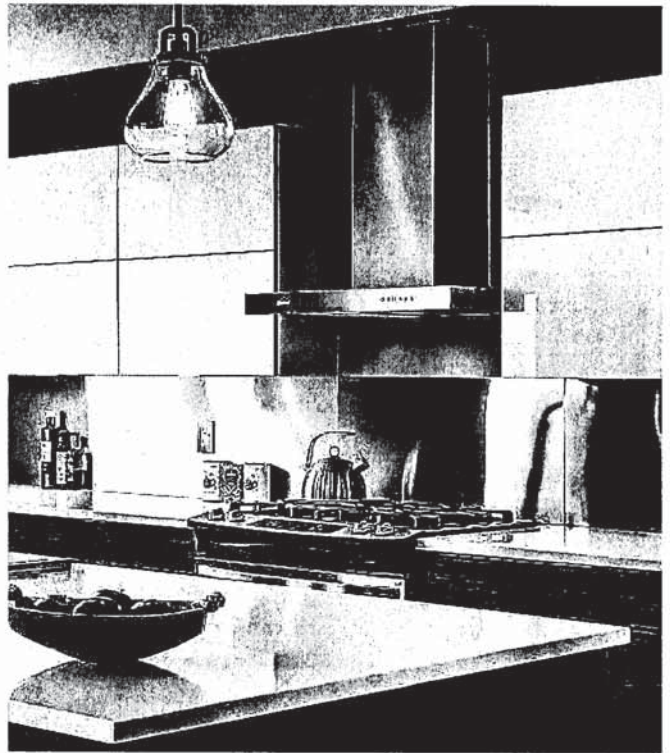
Long-Lasting LED Lights



Time-Delay OFF Feature



Grease Cup



Model	Colour	Ducting	Filters	Size	CFM
-------	--------	---------	---------	------	-----

SCB51430	Stainless Steel	6"	Baffle	30"	550
SCB51436	Stainless Steel	6"	Baffle	36"	550

Cyclone Range Hoods Inc.

1361 Huntingwood Drive, Unit 16. Toronto, ON. M1S 3J1. Canada.

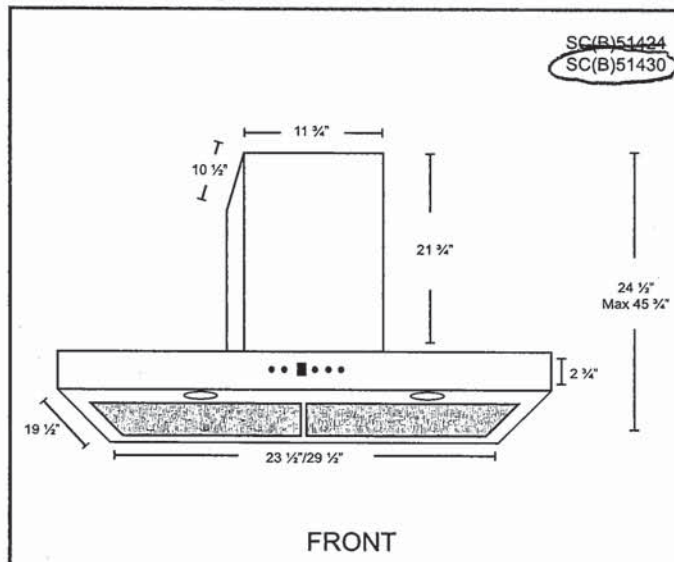
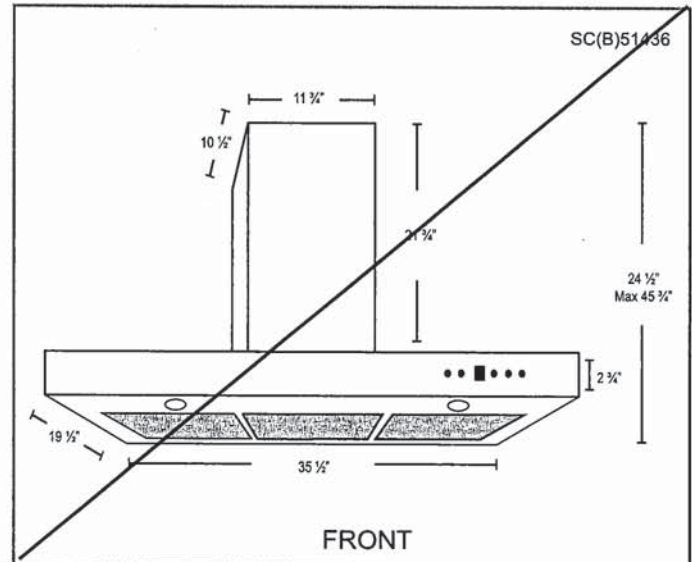
Toll Free: 1-888-293-5662 Tel: (416) 293-0933 Fax: (416) 293-4793 Website: www.CycloneRangeHoods.com

SC(B)514 | ALITO Collection

Cyclone[®]
 Breathe Better

Features

- Wall mount range hood
- 6" round duct adapter
- Non-stick aluminum fan blades
- 3 speed push button control
- 2 LED lights (2 x 1.4W, 4000K)
- Quick release aluminum mesh filters
- Standard chimney fits up to 9 ft. ceiling
- Up to 9 minutes time-delay OFF feature
- Plug-in connection



Options

Filters:

SCB514 - Quick Release Stainless Steel Baffle Filters

Chimney Flues:

- B2.CH16 - short (7'-8' ceilings)
- B2.CH22 - standard (8'-9' ceilings)
- B2.CH32 - extended (9'-11' ceilings)

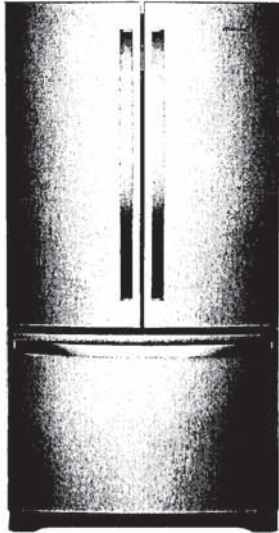
Widths: 30", 36"

Specifications

- | | | |
|--|--|--|
| <ul style="list-style-type: none"> • Air Flow Volume: 550 CFM • Electrical Connection: 120 V/60 Hz • Power Consumption: 300 Watts | <ul style="list-style-type: none"> • Current: 2.5 Amps • Fan Speed: 1599 RPM • Fan Type: Centrifugal Blower | <ul style="list-style-type: none"> • Finishes: Stainless Steel • Ducting: 6" Round • Noise Level: Min. 2 Sones
Max. 6 Sones |
|--|--|--|



Whirlpool® 20 cu. ft. French Door Refrigerator WRF540CWH



Fingerprint-Resistant Stainless
 WRF540CWHZ

Also available in:

- White **WRF540CWHW**
- Black **WRF540CWHB**
- Fingerprint-Resistant Black Stainless **WRF540CWHV**

Key Features & Benefits

Fingerprint Resistant

Resists fingerprints and smudges with an easy-to-clean finish.

Counter Depth Design

Add additional kitchen space with styling that fits virtually flush with the countertop.

Humidity-Controlled Crispers

Store fruits and veggies in their ideal environment.

Capacity

Total Capacity	20 cu. ft.
Refrigerator Capacity	14 cu. ft.
Freezer Capacity	6 cu. ft.

General Features & Properties

- Interior Water Dispenser with EveryDrop® Water Filtration
- Full-Width, Temperature-Controlled Drawer
- Frameless Glass Shelves
- Gallon Door Bins
- Accu-Chill™ Temperature Management System
- Adaptive Defrost
- FreshFlow™ Produce Preserver
- LED Interior Lighting
- Designed, Engineered and Assembled in the U.S.A.

Electrical Details

Amps	20
Volts	115

Certifications

ENERGY STAR® Certified Yes

Technical Details

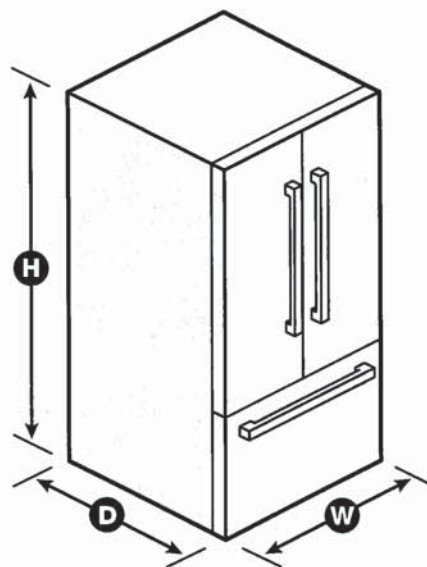
Refrigerator Type	French Door
Number of Doors	3
Number of Interior Refrigerator Shelves	5
Number of Refrigerator Door Bins	2 Fixed, 4 Adjustable
Number of Interior Freezer Shelves	1 Wire, 1 Plastic
Lighting Type	LED
Ice Maker	Factory Installed
Ice Maker Location	Freezer
Dispenser Type	Interior Water

Dimensions

Product Dimensions (H x W x D)	70-1/8" x 35-5/8" x 29 3/8"
Depth with Door Open 90°	43"
Cutout Dimensions	Allow extra 1/2" on sides and top Allow extra 1" on rear

Reference Material

- [Dimension Guide](#)
- [Use & Care Guide](#)
- [Energy Guide](#)
- [Warranty](#)



NOTE: Dimensions are for planning purposes only. For complete details, see Installation Instructions packed with product. Specifications subject to change without notice.

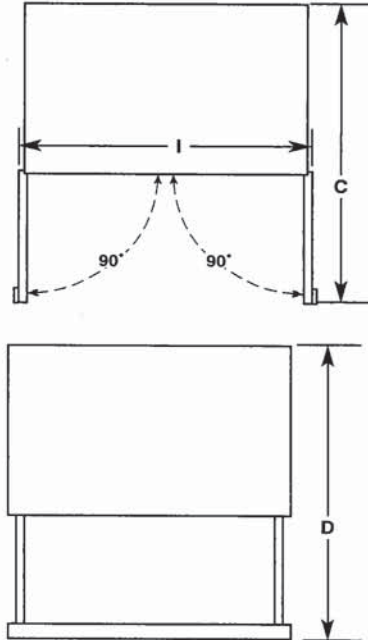
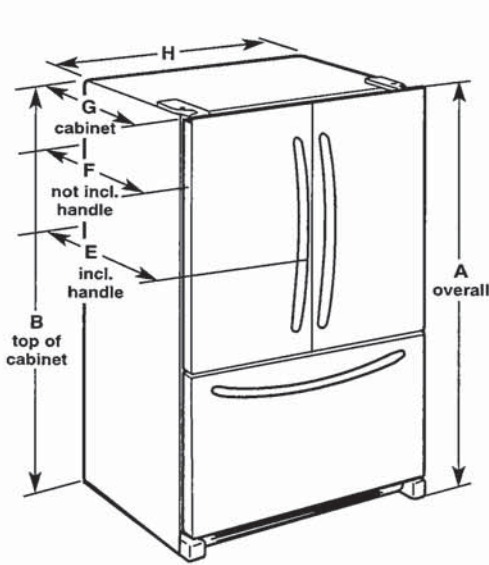
©/™ © 2020. All rights reserved. Printed in the U.S.A. D200052XXC. WRF540CWH SPECSHEETV01.



French Door Bottom Mount Refrigerator

WRF532SMH, WRF540CWH, WRF535SMH

PRODUCT DIMENSIONS



Model Number	WRF532SMH	WRF535SMH	WRF540CWH
Model Size	22.1 cu. ft.	25.2 cu. ft.	20.0 cu. ft.
Height - Overall "A"	70 ¹ / ₈ " (178.1 cm)	70 ¹ / ₈ " (178.1 cm)	70 ¹ / ₈ " (178.1 cm)
Height - Top of Cabinet "B"	68 ⁷ / ₈ " (174.9 cm)	68 ⁷ / ₈ " (174.9 cm)	68 ⁷ / ₈ " (174.9 cm)
Depth - Doors Open 90° "C"	47 ¹ / ₂ " (119.7 cm)	48 ¹ / ₂ " (122.2 cm)	43" (109.2 cm)
Depth - Drawer Open "D"	52 ¹ / ₂ " (132.4 cm)	52 ¹ / ₂ " (132.4 cm)	45 ³ / ₈ " (115.3 cm)
Depth - With Handles "E"	34 ¹ / ₂ " (87.4 cm)	35 ¹ / ₂ " (89.9 cm)	30 ¹ / ₂ " (77.5 cm)
Depth - Without Handles "F"	32" (81.3 cm)	33" (83.8 cm)	26 ⁷ / ₈ " (68.3 cm)
Depth - Cabinet Only "G"	28 ¹ / ₈ " (71.3 cm)	29 ¹ / ₈ " (73.9 cm)	24 ¹ / ₈ " (61.2 cm)
Width - Cabinet "H"	32 ⁵ / ₈ " (82.9 cm)	35 ⁵ / ₈ " (90.5 cm)	35 ⁵ / ₈ " (90.5 cm)
Width - Door Open 90° "I"	40 ³ / ₈ " (102.6 cm)	43 ³ / ₈ " (110.2 cm)	43 ³ / ₈ " (110.2 cm)

⚠ WARNING



Electrical Shock Hazard

- Plug into a grounded 3 prong outlet.
- Do not remove ground prong.
- Do not use an adapter.
- Do not use an extension cord.
- Failure to follow these instructions can result in death, fire, or electrical shock.

Electrical: A 115 V, 60 Hz, AC only 15 A or 20 A fused, grounded electrical supply is required. It is recommended that a separate circuit serving only your refrigerator be provided. Use an outlet that cannot be turned off by a switch. Do not use an extension cord.

NOTE: Before performing any type of installation, cleaning, or removing a light bulb, turn the control (Thermostat, Refrigerator or Freezer Control depending on the model) to OFF and then disconnect the refrigerator from the electrical source. When you are finished, reconnect the refrigerator to the electrical source and reset the control (Thermostat, Refrigerator or Freezer Control depending on the model) to the desired setting. See "Using the Controls."

Water: A cold water supply with water pressure between 35 psi and 120 psi (241 kPa and 827 kPa) is required to operate the water dispenser and ice maker. If you have questions about your water pressure, call a licensed, qualified plumber.

IMPORTANT: The pressure of the water coming out of a reverse osmosis system going to the water inlet valve of the refrigerator needs to be between 35 psi and 120 psi (241 kPa and 827 kPa).


Reverse Osmosis Water Supply:

If a reverse osmosis water filtration system is connected to your cold water supply, the water pressure to the reverse osmosis system needs to be a minimum of 40 psi to 60 psi (276 kPa to 414 kPa).

Whirlpool® French Door Bottom Mount Refrigerator

LOCATION REQUIREMENTS

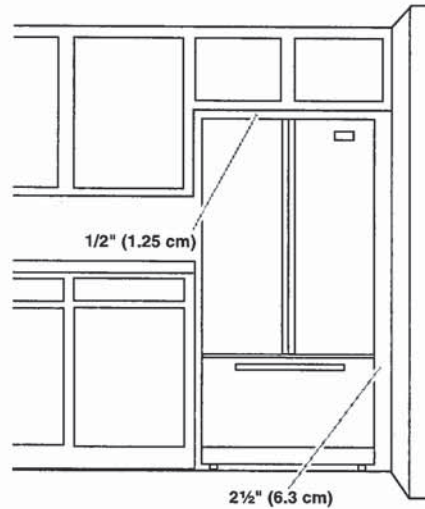
⚠ WARNING



Explosion Hazard

Keep flammable materials and vapors, such as gasoline, away from refrigerator.

Failure to do so can result in death, explosion, or fire.



IMPORTANT: This refrigerator is designed only for indoor, household use only.

To ensure proper ventilation for your refrigerator, allow for a 1/2" (1.25 cm) space on each side and at the top. Allow for 1" (2.54 cm) of space behind the refrigerator. If your refrigerator has an ice maker, make sure you leave some extra space at the back for the water line connections.

If you are installing your refrigerator next to a fixed wall, leave 2 1/2" (6.3 cm) minimum on the hinge side (some models require more) to allow for the door to swing open.

NOTE: This refrigerator is intended for use in a location where the temperature ranges from a minimum of 55°F (13°C) to a maximum of 110°F (43°C). The preferred room temperature range for optimum performance, which reduces electricity usage and provides superior cooling, is between 60°F (15°C) and 90°F (32°C). It is recommended that you do not install the refrigerator near a heat source, such as an oven or radiator.



Front Control Electric Ranges

PRODUCT MODEL NUMBERS

WEC310S0L WEE515S0L WEE515SAL **YWEE515S0L**

ELECTRICAL CONNECTION

To properly install your range, you must determine the type of electrical connection you will be using and follow the instructions provided for it here.

- Range must be connected to the proper electrical voltage and frequency as specified on the model/serial/rating plate. The model/serial/rating plate is located behind the oven door on the top right-hand side of the oven frame.
- This range is manufactured with the neutral terminal connected to the cabinet. Use a 3-wire, UL listed, 40- or 50-amp power supply cord (pigtail). See the following Range Rating chart. If local codes do not permit ground through the neutral, use a 4-wire power supply cord rated at 250 volts, 40- or 50-amps and investigated for use with ranges.

Range Rating*		Specified Rating of Power Supply Cord Kit and Circuit Protection
120/240 Volts	120/208 Volts	Amps
8.8 - 16.5 KW	7.8 - 12.5 KW	40 or 50**
16.6 - 22.5 KW	12.6 - 18.5 KW	50

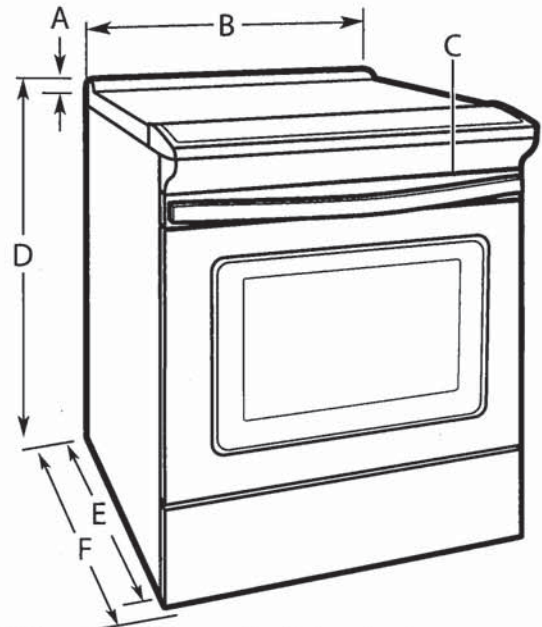
* The NEC calculated load is less than the total connected load listed on the model/serial/rating plate.

** If connecting to a 50-amp circuit, use a 50-amp rated cord with kit. For 50-amp rated cord kits, use kits that specify use with a nominal 1³/₈" (3.5 cm) diameter connection opening.

- A circuit breaker is recommended.

PRODUCT DIMENSIONS

This manual covers several models. Your model may appear different from the models depicted. Dimensions given are maximum dimensions across all models.



- A. 1³/₈" (3.0 cm) height from cooktop to top of vent
- B. 29⁷/₈" (75.9 cm)
- C. Model/serial/rating plate (located behind the oven door on the top right-hand side of the oven frame)
- D. WEE515SAL: 34" (86.4 cm) height to top of cooktop edge with leveling legs screwed all the way in*
Other models: 36" (91.4 cm) height to top of cooktop edge with leveling legs screwed all the way in*
- E. 28²⁵/₆₄" (72.1 cm) max. depth from front of console to back of range
- F. 29¹/₆₄" (73.7 cm) max. depth from handle to back of range

IMPORTANT: Range must be level after installation. Follow the instructions in the "Level Range" section of the Owner's Manual. Using the cooktop as a reference for leveling the range is not recommended.

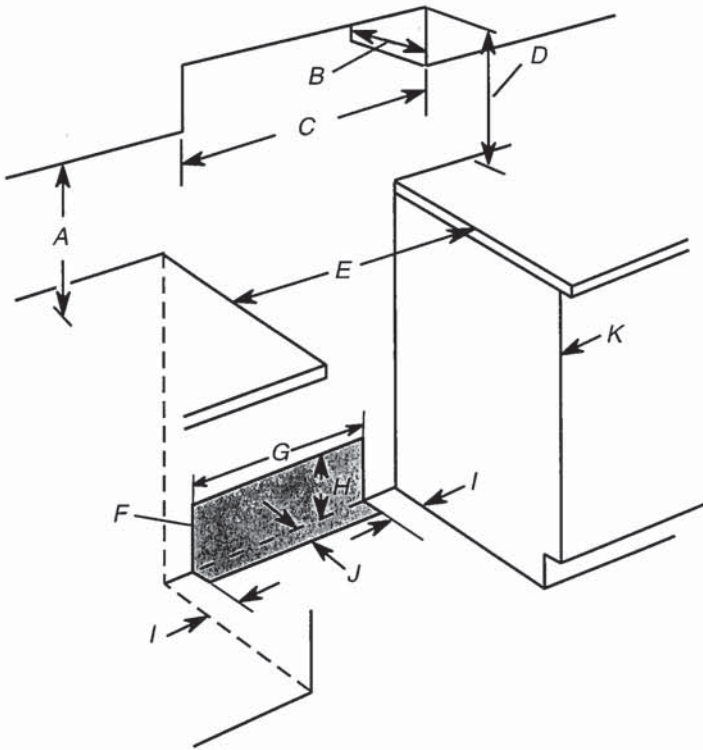
* Range can be raised approximately 1" (2.5 cm) by adjusting the leveling legs.

CABINET DIMENSIONS

Cabinet opening dimensions shown are for 25" (64.0 cm) countertop depth, 24" (61.0 cm) base cabinet depth and 36" (91.4 cm) countertop height.

IMPORTANT: If installing a range hood or microwave hood combination above the range, follow the range hood or microwave hood combination installation instructions for dimensional clearances above the cooktop surface.

Range may be installed next to combustible walls with zero clearance.



- A. 18" (45.7 cm) upper side cabinet to countertop
 - B. 13" (33 cm) max. upper cabinet depth
 - C. 30" (76.2 cm) min. opening width
 - D. For minimum clearance to top of cooktop, see NOTE*.
 - E. 30" (76.2 cm) min. opening width
 - F. The shaded area is recommended for installation of grounded outlet.
 - G. 13¹/₈" (33.3 cm)
 - H. 7¹¹/₁₆" (19.5 cm)
 - I. 4¹³/₁₆" (12.2 cm)
 - J. 3¹¹/₁₆" (9.4 cm)
 - K. Cabinet door or hinges should not extend into the cutout.
- * NOTE: 24" (61.0 cm) minimum when bottom of wood or metal cabinet is shielded by not less than 1/4" (0.64 cm) flame retardant millboard covered with not less than No. 28 MSG sheet steel, 0.015" (0.4 mm) stainless steel, 0.024" (0.6 mm) aluminum or 0.020" (0.5 mm) copper. 30" (76.2 cm) minimum clearance between the top of the cooking platform and the bottom of an uncovered wood or metal cabinet.



53 dBA* Front Control Dishwasher

WDF540PAD



Monochromatic Stainless Steel
 WDF540PADM

Also available in:

- White **WDF540PADW**
- Black **WDF540PADB**

Capacity

Total Place Settings 15

General Features & Properties

- Soil Sensor
- In-Door Silverware Basket
- Sani Rinse Option
- Normal Cycle
- Heavy Cycle
- High Temperature Wash Option
- Heated Dry Option
- ENERGY STAR® Certified
- Industry's Best Selling Dishwasher Brand†

Electrical Details

Amps 15
 Volts 120
 Hz 60

Certifications

ENERGY STAR® Certified Yes

Technical Details

Dishwasher Type Built-in
 Control Location Front
 Control Type Electronic
 Number of Wash Cycles 5
 Number of Options 5
 dBA* 53
 Number of Racks 2
 Tub Material Plastic
 Wash System Filter
 Wash System Type Removable Filter
 Number of Wash Arms 3

Dimensions

Product Dimensions (H x W x D) 34-1/2" x 23-7/8" x 24-1/2"
 Depth with Door Open 90° 49-1/2"

Reference Material

- [Dimension Guide](#)
- [Install Guide](#)
- [Use & Care Guide](#)
- [Energy Guide](#)
- [Warranty](#)

Key Features & Benefits

Sensor Cycle

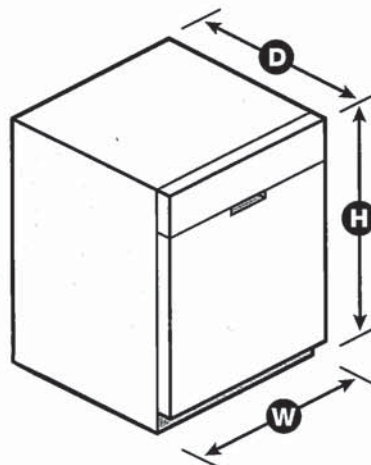
Automatically get the right wash and dry settings for each load with two sensors that measure temperature, soil level and load size during prewash and the wash cycle.

1-Hour Wash Cycle

Clean the dishes you need fast with a cycle that thoroughly takes care of plates, pans and glasses in just an hour.**

Cycle Memory

Quickly start your dishwasher with one button. It automatically remembers the last cycle you picked so it's stored and ready to go.



*Per IEC standards. **Compared to Normal cycle with lightly soiled loads. †Based on 12-month average of unit sales. TraQline 2018. NOTE: Dimensions are for planning purposes only. For complete details, see Installation Instructions packed with product. Specifications subject to change without notice. ©/™ © 2020. All rights reserved. Printed in the U.S.A. D200052XXA. WDF540PADSPECSHEETV01.

Whirlpool® Undercounter Dishwasher

PRODUCT MODEL NUMBERS

WDF110PAB	WDF310PLA	WDF530PSY
WDF111PAB	WDF320PAD	WDF540PAD
WDF120PAF	WDF510PAY	WDF730PAY
WDF121PAF	WDF520PAD	WDT710PAY
WDF310PAA	WDF530PAY	WDT720PAD
WDF310PCA	WDF530PLY	WDT770PAY

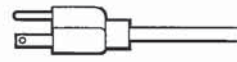
Electrical Requirements: 120-volt, 60-Hz, AC only, 15- or 20-amp. fused electrical supply. Copper wire only. A time delay fuse or circuit breaker and separate circuit is recommended.

If direct wiring dishwasher: Use flexible, armored, or nonmetallic, sheathed copper wire with grounding wire that meets the wiring requirements for your home and local codes and ordinances. Use a UL listed or CSA approved conduit connector.

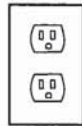


If connecting dishwasher with a power supply cord:

Use Power Supply Cord Kit (Part No. 4317824) marked for use with dishwashers. Follow the kit instructions for installing the power supply cord.



Power supply cord must plug into a grounded 3 prong, outlet, located in the cabinet next to the dishwasher opening. Outlet must meet all local codes and ordinances.



Water Supply Requirements: A hot water line with 20 to 120 psi (138 to 862 kPa) water pressure. Water temperature must be 120°F (49°C) water at dishwasher. Use 3/8" O.D. copper tubing with compression fitting or flexible braided water supply line (1/2" minimum plastic tubing is not recommended). Use a 90° elbow with 1/4"N.P.T. external pipe threads on one end. Do not solder within 6" (15.2 cm) from water inlet valve.

Drain Requirements: A new drain hose is supplied with your dishwasher. If this is not long enough, use a new drain hose with a maximum length of 12' (3.7 m) (Part No. 3385556) that meets all current AHAM/IAPMO test standards, is resistant to heat and detergent, and fits the 1" (2.5 cm) drain connector of the dishwasher.

Make sure to connect the drain hose to waste tee or disposer inlet above drain trap in house plumbing and 20" (50.8 cm) minimum above the floor. It is recommended



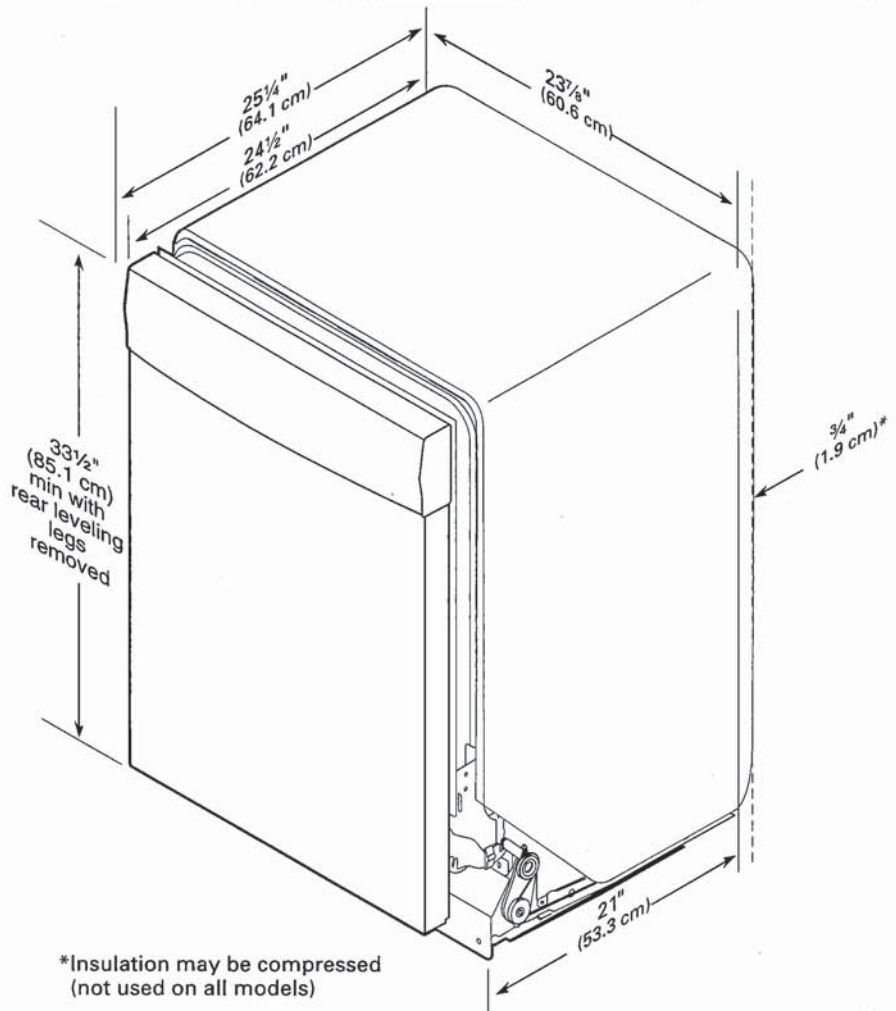
that the drain hose either be looped up and securely fastened to the underside of the counter or be connected to an air gap.

Make sure to use an air gap if the drain hose is connected to house plumbing lower than 20" (50.8 cm) above subfloor or floor.

Use 1/2" (1.3 cm) minimum I.D. drain line fittings.

If required, the air gap should be installed in accordance with the air gap installation instructions. When connecting the air gap, a rubber hose (not provided) will be needed to connect to the waste tee or disposer inlet.

PRODUCT DIMENSIONS



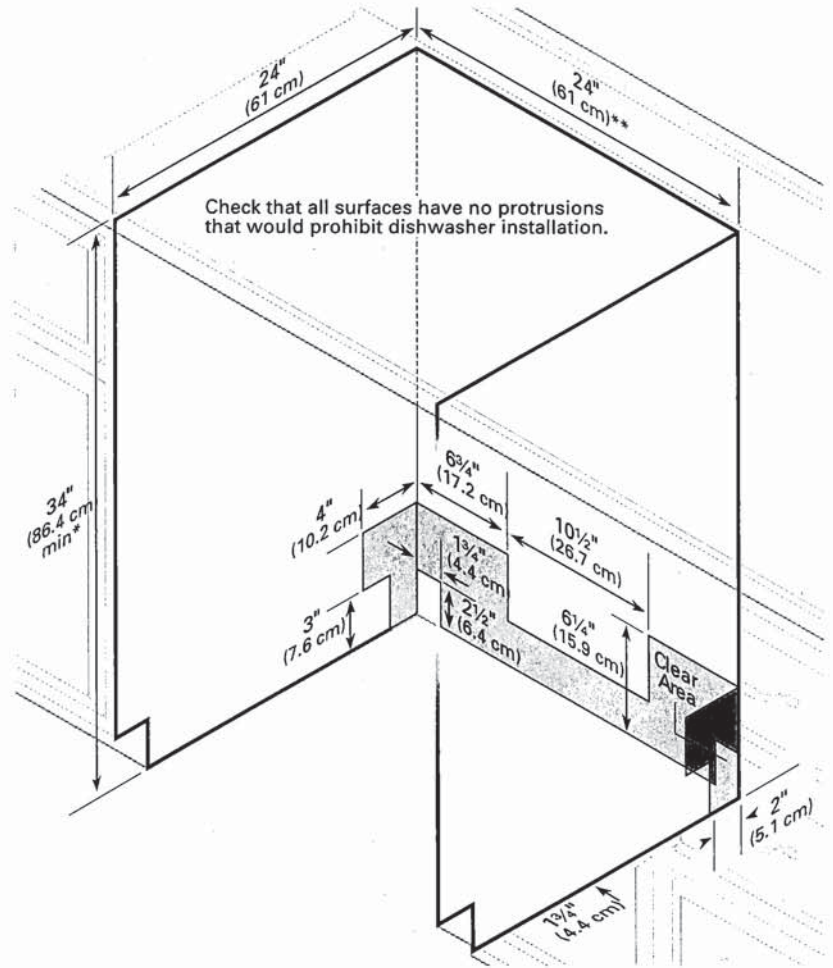
*Insulation may be compressed (not used on all models)

CABINET CUTOUT DIMENSIONS

NOTE: Shaded areas of cabinet walls show where utility connections may be installed.

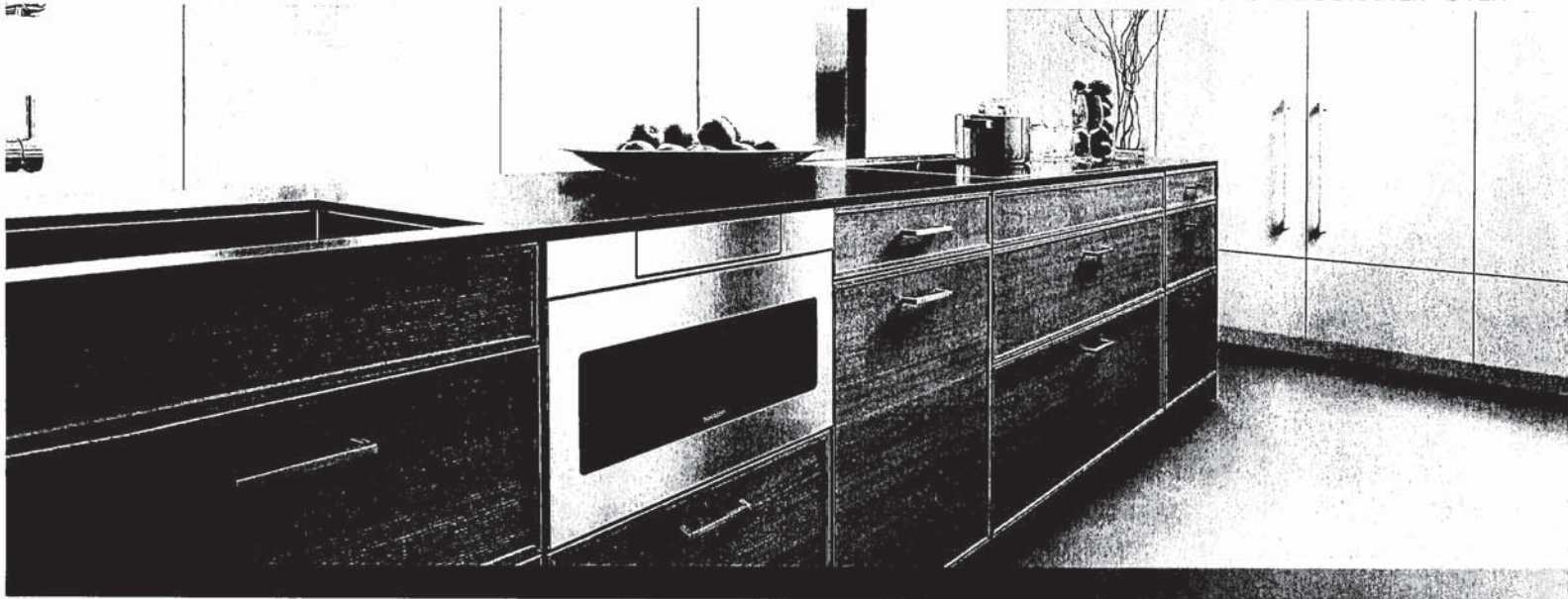
*Measure from the lowest point on the underside of the countertop. May be reduced to 33½" (85.1 cm) by removing the rear leveling legs from dishwasher.

**Minimum, measured from narrowest point of opening.



SHARP

SMD2477ASC
 24-INCH MICROWAVE DRAWER® OVEN



TAKE YOUR MICROWAVE TO A BETTER PLACE

It's your kitchen, your design and your lifestyle. Sharp's Microwave Drawer Oven allows you to focus on the design elements you prefer by removing the microwave from sightlines and enabling more design versatility. The Microwave Drawer offers flexible placement options below an island, peninsula, or standard cabinetry, and can also be installed adjacent to your wall oven. The Microwave Drawer allows you to showcase your design savvy and create a kitchen that flows with your lifestyle.

Sharp introduces the next generation of this successful appliance—model SMD2477ASC - a 24" microwave drawer with a simpler and a sleeker design to match more built-in appliances.

Design Flexibility

Sharp's Microwave Drawer product expands the option for microwave placement in almost any kitchen plan—it's a perfect choice for open-plan kitchens, islands, peninsulas, and a great addition to wet bars, family rooms and home theatres.

Location and Counter Space Saving

You may place the drawer under a counter, cooktop or wall oven or above a warming drawer without a built-in kit, additional trim or venting. Sharp microwave drawer provides the best solution for a cleaner, uncluttered counter space.

Specifications

TECHNICAL SPECIFICATIONS

Size	24" wide
Microwave Capacity	1.2 cu.ft
Microwave Power	950 watts
Control Panel	Digital LCD Display
Control Type	Hidden Control Panel
Drawer Opening	AutoTouch™ System
Power Level	11
Sensor Cook, Reheat, Popcorn Settings	13
Reheat Auto Settings	2
Defrost Auto Settings	6
Keep Warm Setting	Yes, up to 30 min.
Melt / Soften / Settings	Yes
Beverage Setting	Yes
Programmable Stages	Yes, 4
Digital Clock	Yes
Kitchen Timer	Yes
Child Lock	Yes
+30 sec	Yes
Interior Oven Light	Yes

SHARP'S Exclusive AutoTouch™ System

Sharp's exclusive AutoTouch™ system allows you to open and close the drawer automatically at one-finger operation by pressing a button on the control panel.

New Hidden Control Panel

The new SMD2477ASC model features a hidden control panel which gives a more integrated look and feel within the kitchen. The new tall control panel, angled at 45° degrees, is easy to see, easy to access and easy to use.

TECHNICAL SPECIFICATIONS CONTINUED

Demonstration Mode	Yes
Built-in Ready	Yes
Available Colour	Stainless Steel
Accessory	SKMD24F0AS

DIMENSIONS/WEIGHT(inches/lbs.)

Cut-out Dimension	22 1/8" x 15 9/16"
Product Dimension	23 7/8" x 23 1/64" x 15 7/8"
Box Dimension	29.8" w x 27.9" x 21.9"
Net Weight	74 lb.
Gross Weight	85.8 lb.

POWER/SAFETY

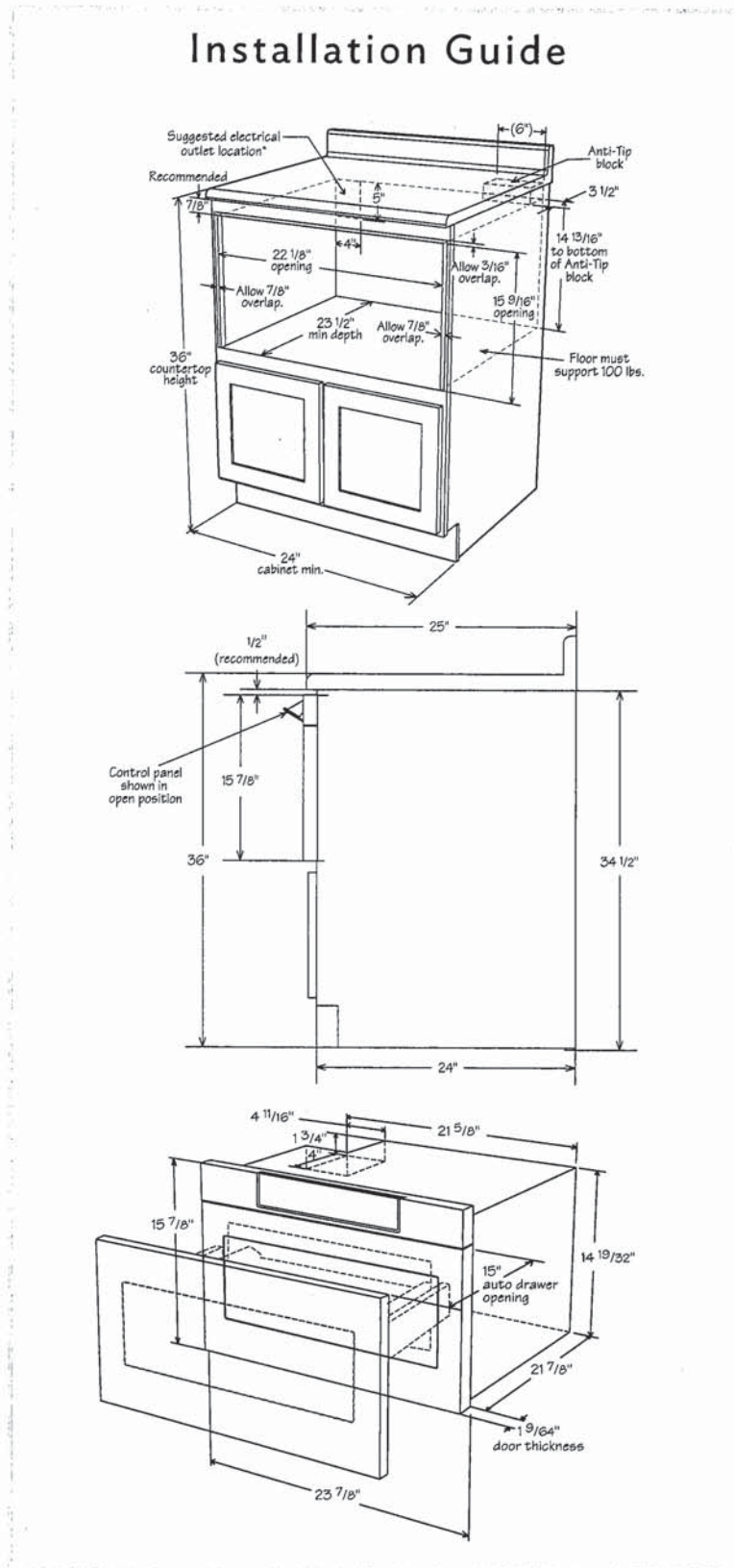
Power / Ratings	120V, 60Hz
Ratings	1.67Kw, 14.5Amps
Safety Compliance	FCC, DHHS, cUL

WARRANTY/UPC

Warranty	1 year parts & labour with in-home service; 4 additional years for magnetron tube only
UPC	074000619944

SHARP

SMD2477ASC





HOME APPLIANCES

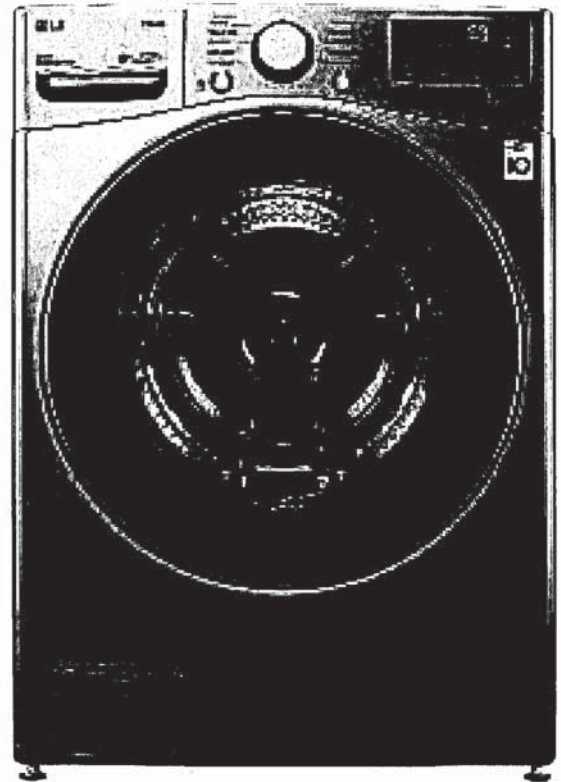
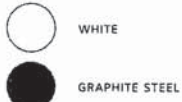
LG LAUNDRY

WM3600H_A

4.5 cu.ft. Front Load Washer with Built-In Intelligence & Steam Technology

- 4.5 cu. ft. Ultra Large Capacity
- AI Fabric Sensor/ Smart Pairing™
- AAFA certified LG washer
- LG ThinQ® Technology / Proactive Customer Care
- Tempered Glass Door
- ColdWash™ Technology
- Direct Drive Motor 10-Year Limited Warranty
- ENERGY STAR® Certified
- Closet Depth
- NeveRust™ Stainless Steel Tub

AVAILABLE COLORS



Enjoy new ways to control your home with LG smart appliances

- Use the ThinQ® app to start the laundry while you're out
- Get alerts when the cycle is finished
- With Smart Pairing™, the washer can tell the dryer to select a compatible drying cycle

LG ThinQ®



SUMMARY		FABRIC CARE FEATURES		CERTIFICATION	
Type	Front Load Washer	Max RPM	1300	Control Panel	Plastic
Capacity (cu.ft.)	4.5 cu. ft.	Water Levels	Load Sensing	Top Plate	Painted
Matching Electric Dryer	DLE3600W, DLE3600V	No. of Soil Levels	5	Door / Rim	Glass/White Rim (White), Glass/Silver Rim (Graphite Steel)
Matching Gas Dryer	DLG3601W, DLG3601V	FABRIC CARE FEATURES			
Color	White (W), Graphite Steel (V)	AI DD™	Yes	Door Cover	Tinted Cover
APPEARANCE		Steam Technology	Yes	All Available Colors	White (W), Graphite Steel (V)
Hard Buttons	Yes	Allergiene™ Cycle	Yes	CERTIFICATION	
Touch Buttons	Yes	Sanitary Cycle	Yes	AAFA	Yes
Dial-A-Cycle™	Yes	ColdWash™ Option	Yes	POWER SOURCE	
ENERGY		SenseClean™ System	Yes	Ratings	UL Listed
ENERGY STAR® Most Efficient 2019	Yes	CONVENIENCE FEATURES		Electrical Requirements	120V, 10 Amps
ENERGY STAR® Qualified	Yes	TrueBalance™ Anti-Vibration System	Yes	Type	Electric
CEE Tier	2	4 Tray Dispenser	Yes	OPTIONS/ACCESSORIES	
IMEF	2.92	LoDecibel™ Quiet Operation	Yes	Pedestal	WDP4W, WDP4V
IWF	2.9	End of Cycle Signal	Yes	Pedestal (WxHxD)	27 x 14 1/8 x 30 3/4 (50 9/16 D with door open)
WASH PROGRAMS		LoadSense	Yes	LG Sidekick™ Pedestal Washer	WD100CW, WD100CV
No. of Programs	10	Child Lock	Yes	LG Sidekick™ Pedestal Washer (WxHxD)	27 x 14 1/8 x 30 3/4 (50 9/16 D with door open)
Wash Programs	Normal, Heavy Duty, Bedding, Allergiene™, Tub Clean, Perm. Press, Delicates, Speed Wash, Rinse + Spin, Downloaded	Auto Suds Removal	Yes	Stacking Kit	KSTK1
WASH OPTIONS		Leveling Legs	4 Adjustable Legs	DIMENSIONS	
No. of Options	9	Easy Loading Tilt™	Yes	Product (WxHxD)	27" x 39" x 30 1/4"
Options	Steam, Delay Wash, Pre-Wash, Extra Rinse, Cold Wash, Wi-Fi, Remote Start, Spin Only, Control Lock	ThinQ® TECHNOLOGY		Depth with Door Open	(55" D with door open)
WASH DETAILS		SmartDiagnosis™ (v3.0)	Yes	Carton (WxHxD)	29 23/32" x 41 27/32" x 31 17/32"
No. of Wash/Rinse Temps	5	Wi-Fi	Yes	Weight (Product/Carton)	187.4 / 209.8 lbs
Wash/Rinse Temps	Extra Hot, Hot, Warm, Cold, Tap Cold	Remote Start and Cycle Monitor	Yes	LIMITED WARRANTY	
No. of Spin Speeds	5	Energy Monitoring	Yes	Parts and Labor	1 Year
Spin Speeds	Extra High, High, Medium, Low, No Spin	MOTOR AND AGITATOR		Direct Drive Motor	10 Years
		Motor Type	Inverter Direct Drive Motor	Drum	3 Years
		Axis	Horizontal	UPC CODES	
		MATERIALS AND FINISHES		WM3600HWA (White)	048231028264
		NeveRust™ Stainless Steel Drum	Yes	WM3600HVA (Graphite Steel)	048231028257
		Cabinet	PCM		



HOME APPLIANCES

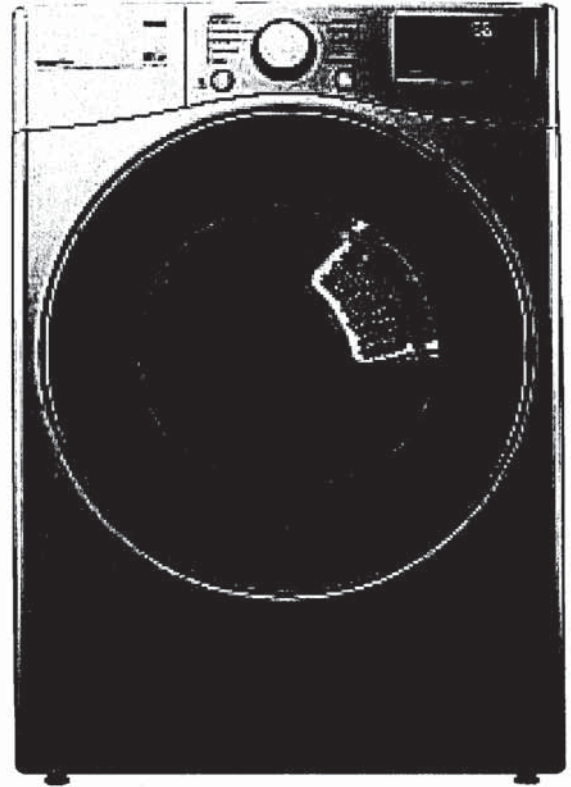
LG LAUNDRY

DLE3600_ / DLG3601_

7.4 cu.ft. Front Load Dryer with Built-In Intelligence

- 7.4 cu. ft. Ultra Large Capacity
- AI Fabric Sensor/ Smart Pairing™
- LG ThinQ® Technology / Proactive Customer Care
- Tempered Glass Door
- FlowSense™ Duct Clogging and Lint Filter Indicators
- ENERGY STAR® Certified
- Closet Depth
- LoDecibel™ Quiet Operation
- Reversible Door
- Wrinkle Care Option

AVAILABLE COLORS



LG ThinQ®

Enjoy new ways to control your home with LG smart appliances

- Use the ThinQ® app to start the laundry while you're out
- Get alerts when the cycle is finished
- With Smart Pairing™, the washer can tell the dryer to select a compatible drying cycle

works with the Google Assistant

WORKS WITH alexa

SUMMARY

Type	Front Load Dryer
Capacity	7.4 cu. ft.
Matching Washer	WM3600HWA, WM3600HVA
Sensor Dry	Yes
Color	White (W), Graphite Steel (V)

APPEARANCE

Intelligent Electronic Controls with LED Display	Yes
Dial-A-Cycle™	Yes
Touch Buttons	Yes

DRYER PROGRAMS

No. of Programs	10
Programs (Sensor Dry)	Normal, Heavy Duty, Bedding, Small Load, Perm Press, Delicates, Towels, Speed Dry (Manual Dry), Air Dry (Manual Dry), Downloaded
No. of Options	9

Options	More Time, Less Time, Damp Dry Signal, Wrinkle Care, Control Lock, Wi-Fi, Energy Saver, Remote Start, Signal
---------	--

Temperature Settings	High, Med.High, Medium, Low, Ultra Low
----------------------	--

Drying Levels	Very Dry, More Dry, Normal Dry, Less Dry, Damp Dry
---------------	--

Manual Dry Times	60 min., 40 min., 30 min., 20 min., More Time/Less Time
------------------	---

FABRIC CARE FEATURES

A.I Dry	Yes
Sensor Dry	Yes
Precise Temperature Control with Variable Heater	Yes

CONVENIENCE FEATURES

3 Minute Installation Check	Yes
LoDecibel™ Quiet Operation	Yes
End of Cycle Signal	Yes
Drum Light	Yes
Reversible Door	Yes
FlowSense™ Duct Clogging Indicator	Yes
Wrinkle Care Option	Yes
Child Lock	Yes
Venting Option	Electric: 4 Way Venting / Gas: 3 Way Venting
4 Adjustable Legs	Yes
Remaining Time Display/Status Indicator(s)	Yes

ThinQ® TECHNOLOGY

SmartDiagnosis™ (v3.0)	Yes
Wi-Fi	Yes
Remote Start and Cycle Monitor	Yes
Energy Monitoring	Yes (Wi-Fi)

ENERGY

ENERGY STAR® Certified	Yes
CEF	3.94 (Electric), 3.49 (Gas)

MATERIALS AND FINISHES

Aluminized Alloy Steel Drum	Yes
Tub Rear	Painted
Cabinet	Painted Steel
Door	Tempered Glass Door
All Available Colors	White (W), Graphite Steel (V)

POWER SOURCE

Ratings	CSA Listed
Electrical Requirements	120V, 15 Amps (Gas) / 240V 30 Amps (Electric)
Type	Electric, Gas
BTU Rating	20,000 Feet

OPTIONS

LP Conversion Kit	383EEL3002D
Side Venting Kit	3911EZ9131X
Pedestal	WDP4W, WDP4V
Pedestal (WxHxD)	27 x 14 1/8 x 30 3/4 (50 1/2 D with door open)

DIMENSIONS (ELECTRIC)

Product (WxHxD)	27" x 39" x 30 1/8"
Depth with Door Open	51 3/8"
Carton (WxHxD)	29 1/2" x 42 1/4" x 31 1/4"
Weight (Product)	121.9 lbs.
Weight (Carton)	140.2 lbs

DIMENSIONS (GAS)




Product (WxHxD)	27" x 39" x 30 1/8"
Depth with Door Open	51 3/8"
Carton (WxHxD)	29 1/2" x 42 1/4" x 31 1/4"
Weight (Product)	136.03 lbs
Weight (Carton)	151.7 lbs





LIMITED WARRANTY




Parts & Labor	1 Year
Drum	3 Years

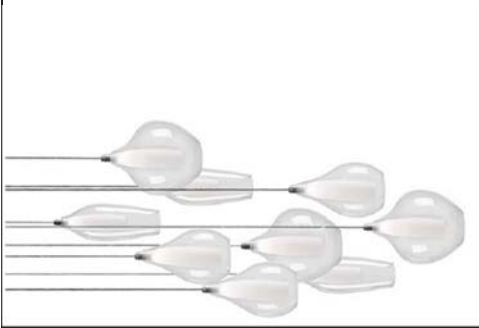


UPC CODES

DLE3600W (White)	048231028332
DLG3601W (White)	048231028349
WM3600HWA (White)	048231028264
DLE3600V (Graphite Steel)	048231028318
DLG3601V (Graphite Steel)	048231028325
WM3600HVA (Graphite Steel)	048231028257

LOT 139			
LOCATION	IMAGE	LINK	FINISH
BEDROOMS 2 // 3 / 4		https://kuzcolighting.com/product/dalton-fm7920/	WHITE ORGANZA
PRINCIPAL BEDROOM		https://kuzcolighting.com/product/plisse-ch628423/	CHROME
BREAKFAST AREA PENDANT		https://kuzcolighting.com/product/dalton-pd7916/	WHITE ORGANZA
DINING			

		https://www.eurofase.com/productDetails?itemNo=46772-015	CHROME
FOYER		https://www.matteolighting.com/ceiling-lights/flush-mounts/m14614whcl/	WHITE/CLEAR
KITCHEN PENDANTS			
		https://aloralighting.com/product/bordeaux-pd502204/	NICKLE
LAUNDRY		https://www.matteolighting.com/ceiling-lights/flush-mounts/m16613mw/	WHITE
LOWER LEVEL BATH SCENCE			

		https://www.eurofase.com/productDetails?itemNo=34106-013	CHROME
MAIN BATH WALL SCONCE		https://aloralighting.com/product/hazel-vi524217/	CHROME
PRINCIPAL ENSUITE SCONCE		https://aloralighting.com/product/revolve-wv309022/	NICKLE
STAIRWELL PENDANT			

		https://kuzcolighting.com/product/victoria-mp3009/	CHROME
ENSUITE 4 WALL SCNCE		https://www.matteolighting.com/vanity/s06104ch/	CHROME
POWDER ROOM		https://www.matteolighting.com/vanity/s05401ch/	CHROME