

Sales Selection Sheet
Checklist

1 of 37

LOT 346 Model: 28-2897 C THE KINGSMERE
PURCHASERS: Harpreet Singh/
VENDOR: Heathwood Homes (Huron) Limited

- WOB
- DECK
- FINISHED BASEMENT
- COLD CELLAR

UPGRADED / MODIFIED ELEVATION

- CORNER UPGRADE
- REAR UPGRADE
- SIDE UPGRADE

CEILING UPGRADE - SMOOTH

- MAIN FLOOR
- SECOND FLOOR
- BASEMENT

ADDITIONAL ROUGH-INS

- 200 AMP SERVICE (STD IN SINGLES)
- WET BAR ROUGH-IN
- HUMIDIFIER
- AIR CONDITIONING (SITE STD)

GAS ROUGH-IN

- STOVE
- DRYER
- BBQ
- ADDITIONAL FIREPLACE

KITCHEN: HOODFAN VENTING SIZE

- 6 IN ROUND DUCT
- 7 IN ROUND DUCT

FULL BASEMENT STAIRS:	N/A
UPPER BASEMENT STAIRS:	N/A
LOWER LEVEL STAIRS:	Carpet Grade
MAIN STAIRS:	All Oak
MEDIA STAIRS (if applicable):	N/A
LOFT STAIRS (if applicable):	N/A

OCT 4/22
Date Purchaser: *file*

OCT 4/22
Date Decor Consultant: TINA LEFOR

Date Purchaser:

~~XXXXXXXXXX~~
-10- 04 2022
Date Approved
Heathwood Homes (Huron) Limited

Locked Date:



Harpreet Singh/
 Project: Wallaceton
 Unit: 346, Phase: 3
 Model: 28-2897 C THE KINGSMERE

Created: 9/8/2022 14:26:17

Locked:

Closed:

Kitchen

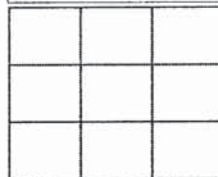
Cabinet Colour/Style	9166	Viking III-CHARLESTON-ORCHID-3DL ***STD***
Island Cabinet Colour/Style	9166	Viking III-CHARLESTON-ORCHID-3DL ***STD***
Cabinet Hardware	2086	9677-HARDWARE ***STD***
Countertop	8595	Group 2-Quartz-Caesarstone-OCEAN FOAM #6141-3/4 inch with built-up edge ***2***
Island Countertop	8595	Group 2-Quartz-Caesarstone-OCEAN FOAM #6141-3/4 inch with built-up edge ***2***
Countertop Edge	4005	DOUBLE MITRE 1 1/2 INCH ***UPG***



- Please note some islands may require a seam as per manufacturer and fabricator discretions.

Sink	9487	Plumbing-KINDRED Kitchen Sink Collection - Reginox ND1831 U/9-Double (equal size) Bowl Undermount Sink (or equivalent)-Stainless Steel
HoodFan	9415	AVH-308CS-AVG 30 inch STAINLESS STEEL CHIMNEY WALL MOUNTED HOODFAN
Backsplash	1111	N/A *****
Backsplash Grout	1111	N/A *****
Backsplash Tile Pattern	1111	N/A *****

Flooring	9106	GE.MD.WHT.1818.MT Madison Series White Matte 18 X 18 Matte ***1***
Floor Tile Grout	2225	Grout-(27) Silver ***STD***
Floor Tile Pattern	3000	STANDARD SQUARE ***STD***



- Purchasers have been advised: standard fridge opening is a minimum 37 3/8 x 73 3/8 inches. Ice Waterline Rough-In is included.

- Standard stove opening is 30 inches and standard dishwasher opening is 24 inches. Any gas stove will require backsplash or stainless steel backing to avoid fire hazards.

- Purchasers acknowledge: Heathwood Homes and its contractors will not be responsible for any kitchen cabinet changes due to appliances dimension changes after sign-off.

Comment

Landing and Broom Closet

Flooring	9106	GE.MD.WHT.1818.MT Madison Series White Matte 18 X 18 Matte ***1***
Floor Tile Grout	2225	Grout-(27) Silver ***STD***
Floor Tile Pattern	3000	STANDARD SQUARE ***STD***

Harpreet Singh/
Project: Wallaceton
Unit: 346, Phase: 3
Model: 28-2897 C THE KINGSMERE

Created: 9/8/2022 14:28:17

Locked:

Closed:

Comment

Foyer

Flooring 9106

GE.MD.WHT.1818.MT Madison Series White Matte 18 X 18 Matte ***1***

Floor Tile Grout 2225

Grout-(27) Silver ***STD***

Floor Tile Pattern 3000

STANDARD SQUARE ***STD***

Comment

Powder Room

Flooring 9106

GE.MD.WHT.1818.MT Madison Series White Matte 18 X 18 Matte ***1***

Floor Tile Grout 2225

Grout-(27) Silver ***STD***

Floor Tile Pattern 3000

STANDARD SQUARE ***STD***

Plumbing Fixture (Colour) 1737

Plumbing Fixtures-WHITE ***STD***

Comment

Dining Room

Flooring 9011

Red Oak PEARL-Vintage Red Oak Sculpted-PEWTER-3/4 inch X 5 inch ***UPG***

Comment

Main Hall

Flooring 9011

Red Oak PEARL-Vintage Red Oak Sculpted-PEWTER-3/4 inch X 5 inch ***UPG***

Comment

Great/Breakfast

Flooring 9011

Red Oak PEARL-Vintage Red Oak Sculpted-PEWTER-3/4 inch X 5 inch ***UPG***

Harpreet Singh/
 Project: Wallaceon
 Unit: 346, Phase: 3
 Model: 28-2897 C THE KINGSMERE

Created: 9/8/2022 14:28:17

Locked:

Closed:

Comment

Great Room Fireplace

Type	8869	Majestic MERC32 ***STD***
Mantle	8891	NF-17-Paint Grade Mantle- Cabinet (Per Plan)-WHITE ***STD***
Surround (Opt.)	1111	N/A *****

- Purchasers have been advised: heat from the FP can damage TV above a FP and items placed on mantle.

- Heathwood and its contractors will not be liable for any damage on items placed/@installed above a FP after closing.

Comment

Mud Room / Laundry

Flooring	9437	TH.CT.WHT.1212.MT-Construct-White Matte-12 x 12 STD ***STD***									
Floor Tile Grout	2225	Grout-(27) Silver ***STD***									
Floor Tile Pattern	3000	STANDARD SQUARE ***STD*** <table border="1" style="width: 100px; height: 60px; margin-top: 5px;"> <tr><td> </td><td> </td><td> </td></tr> <tr><td> </td><td> </td><td> </td></tr> <tr><td> </td><td> </td><td> </td></tr> </table>									
Opt. Cabinet Colour/Style - Uppers	1111	N/A *****									
Opt. Cabinet Hardware - Uppers	1111	N/A *****									
Opt. Cabinet Colour/Style - Base	1111	N/A *****									
Opt. Cabinet Hardware - Base	1111	N/A *****									
Opt. Countertop	1111	N/A *****									
Opt. Countertop Edge	1111	N/A *****									

Comment

Upper Hall

Flooring	9011	Red Oak PEARL-Vintage Red Oak Sculpted-PEWTER-3/4 inch X 5 inch ***UPG***
----------	------	------------------------------------------------------------------------------

Comment

Master Bedroom

Flooring	9246	DY 84558 -Dynasty Tex-BEACH SHELL-40 oz Poly***STD***
----------	------	----------------------------------------------------------

Comment

Harpreet Singh/
 Project: Wallaceton
 Unit: 346, Phase: 3
 Model: 28-2897 C THE KINGSMERE

Created: 9/8/2022 14:26:17

Locked:

Closed:



Bedroom 2

Flooring 9246

DY 84558 -Dynasty Tex-BEACH SHELL-40 oz
 Poly***STD***

Comment

Empty comment box for Bedroom 2.

Bedroom 3

Flooring 9246

DY 84558 -Dynasty Tex-BEACH SHELL-40 oz
 Poly***STD***

Comment

Empty comment box for Bedroom 3.

Bedroom 4 (Reg. Second Floor)

Flooring 9246

DY 84558 -Dynasty Tex-BEACH SHELL-40 oz
 Poly***STD***

Comment

Empty comment box for Bedroom 4.

Family Room (Opt. Second Floor)

Flooring 1111

N/A *****

Comment

Empty comment box for Family Room.

Bedroom 5

Flooring 9246

DY 84558 -Dynasty Tex-BEACH SHELL-40 oz
 Poly***STD***

Comment

Empty comment box for Bedroom 5.

Master Ensuite

Cabinet Colour/Style 9111

Viking III-SIMCOE ORCHID 3DL ***STD***

Cabinet Hardware 7672

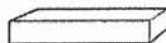
135-HARDWARE ***STD***

Countertop 9069

MSI Quartz GROUP 1 ICED WHITE ***STD***

Countertop Edge 4010

SINGLE POLISHED STRAIGHT EDGE 3/4 INCH ***STD***



Floor Tile 9106

GE.MD.WHT.1818.MT Madison Series White Matte 18 X
 18 Matte ***1***

Floor Tile Grout 2225

Grout-(27) Silver ***STD***

Floor Tile Pattern 3000

STANDARD SQUARE ***STD***



Harpreet Singh/
 Project: Wallaceon
 Unit: 346, Phase: 3
 Model: 28-2897 C THE KINGSMERE

Created: 9/8/2022 14:28:17

Locked:

Closed:

Shower Wall Tile	5420	QT.SP.DGR.0810-Splendour-Dark Grey-8 inch x 10 inch ***STD***	
Shower Wall Tile Grout	2226	Grout-(00) White ***STD***	
Shower Wall Tile Pattern	3070	HORIZONTAL STACKED ***STD***	
Shower Floor Tile	8108	OD.ON.DGR.02.HEX.MT-ONTARIO HEXAGON MATTE-DARK GREY ***2***	
Shower Floor Tile Grout	2226	Grout-(00) White ***STD***	
Shower Floor Tile Pattern	3000	STANDARD SQUARE ***STD***	
Shower Jamb(s) and Sill(s)	8923	Shower Jamb / Sill-Thassos White ***STD***	
Plumbing Fixture (colour)	1737	Plumbing Fixtures-WHITE ***STD***	
Comment			

Shared Ensuite

Cabinet Colour/Style	9111	Viking III-SIMCOE ORCHID 3DL ***STD***	
Cabinet Hardware	7672	135-HARDWARE ***STD***	
Countertop	8796	6698-46-Countertop-PALOMA POLAR ETCHINGS FINISH-Formica ***STD***	
Countertop Edge	1111	N/A *****	
Floor Tile	9106	GE.MD.WHT.1818.MT Madison Series White Matte 18 X 18 Matte ***1***	
Floor Tile Grout	2225	Grout-(27) Silver ***STD***	
Floor Tile Pattern	3000	STANDARD SQUARE ***STD***	
Shower Wall Tile	5420	QT.SP.DGR.0810-Splendour-Dark Grey-8 inch x 10 inch ***STD***	
Shower Wall Tile Grout	2226	Grout-(00) White ***STD***	
Shower Wall Tile Pattern	3070	HORIZONTAL STACKED ***STD***	

Harpreet Singh/
 Project: Wallaceton
 Unit: 346, Phase: 3
 Model: 28-2897 C THE KINGSMERE

Created: 9/8/2022 14:28:17

Locked:

Closed:

Shower Floor Tile	8108	OD.ON.DGR.02.HEX.MT-ONTARIO HEXAGON MATTE-DARK GREY ***2***									
Shower Floor Tile Grout	2226	Grout-(00) White ***STD***									
Shower Floor Tile Pattern	3000	STANDARD SQUARE ***STD***									
		<table border="1"><tr><td></td><td></td><td></td></tr><tr><td></td><td></td><td></td></tr><tr><td></td><td></td><td></td></tr></table>									
Shower Jamb(s) and Sill(s)	8923	Shower Jamb / Sill-Thassos White ***STD***									
Plumbing Fixture (colour)	1737	Plumbing Fixtures-WHITE ***STD***									
Comment											

Ensuite 4 (Reg. Second Floor)

Cabinet Colour/Style	9111	Viking III-SIMCOE ORCHID 3DL ***STD***									
Cabinet Hardware	7672	135-HARDWARE ***STD***									
Countertop	8796	6698-46-Countertop-PALOMA POLAR ETCHINGS FINISH-Formica ***STD***									
Countertop Edge	1111	N/A *****									
Floor Tile	9106	GE.MD.WHT.1818.MT Madison Series White Matte 18 X 18 Matte ***1***									
Floor Tile Grout	2225	Grout-(27) Silver ***STD***									
Floor Tile Pattern	3000	STANDARD SQUARE ***STD***									
		<table border="1"><tr><td></td><td></td><td></td></tr><tr><td></td><td></td><td></td></tr><tr><td></td><td></td><td></td></tr></table>									
Wall Tile	5411	QT.SP.WHT.0810-Splendour-White-8 inch x 10 inch ***STD***									
Wall Tile Grout	2226	Grout-(00) White ***STD***									
Wall Tile Pattern	3070	HORIZONTAL STACKED ***STD***									
		<table border="1"><tr><td></td><td></td></tr><tr><td></td><td></td></tr><tr><td></td><td></td></tr><tr><td></td><td></td></tr></table>									
Opt. Shower Floor Tile	1111	N/A *****									
Opt. Shower Floor Tile Grout	1111	N/A *****									
Opt. Shower Floor Tile Pattern	1111	N/A *****									
Opt. Shower Jamb(s) and Sill(s)	1111	N/A *****									
Plumbing Fixture (colour)	1737	Plumbing Fixtures-WHITE ***STD***									
Comment											

Harpreet Singh/
 Project: Wallaceton
 Unit: 346, Phase: 3
 Model: 28-2897 C THE KINGSMERE

Created: 9/8/2022 14:26:17

Locked:

Closed:



Ensuite 5

Cabinet Colour/Style	9111	Viking III-SIMCOE ORCHID 3DL ***STD***									
Cabinet Hardware	7672	135-HARDWARE ***STD***									
Countertop	8796	6698-46-Countertop-PALOMA POLAR ETCHINGS FINISH-Formica ***STD***									
Countertop Edge	1111	N/A *****									
Floor Tile	9106	GE.MD.WHT.1818.MT Madison Series White Matte 18 X 18 Matte ***1***									
Floor Tile Grout	2225	Grout-(27) Silver ***STD***									
Floor Tile Pattern	3000	STANDARD SQUARE ***STD*** <table border="1" style="width: 100px; height: 60px; margin-top: 5px;"> <tr><td> </td><td> </td><td> </td></tr> <tr><td> </td><td> </td><td> </td></tr> <tr><td> </td><td> </td><td> </td></tr> </table>									
Wall Tile	5411	QT.SP.WHT.0810-Splendour-White-8 inch x 10 inch ***STD***									
Wall Tile Grout	2226	Grout-(00) White ***STD***									
Wall Tile Pattern	3070	HORIZONTAL STACKED ***STD*** <table border="1" style="width: 100px; height: 60px; margin-top: 5px;"> <tr><td> </td><td> </td></tr> <tr><td> </td><td> </td></tr> <tr><td> </td><td> </td></tr> <tr><td> </td><td> </td></tr> </table>									
Opt. Shower Floor Tile	1111	N/A *****									
Opt. Shower Floor Tile Grout	1111	N/A *****									
Opt. Shower Floor Tile Pattern	1111	N/A *****									
Opt. Shower Jamb(s) and Sill(s)	1111	N/A *****									
Plumbing Fixture (colour)	1737	Plumbing Fixtures-WHITE ***STD***									
Comment											

Lower Level Recreation Room (Opt. Finis

Flooring	9246	DY 84558-Dynasty Tex-BEACH SHELL-40 oz Poly***STD***
Comment		

Lower Level Bathroom (Opt. Finished Bas

Cabinet Colour/Style	9111	Viking III-SIMCOE ORCHID 3DL ***STD***
----------------------	------	----------------------------------------

Harpreet Singh/
 Project: Wallaceton
 Unit: 346, Phase: 3
 Model: 28-2897 C THE KINGSMERE

Created: 9/6/2012 14:23:17

Locked:

Closed:

Cabinet Hardware	7672	135-HARDWARE ***STD***									
Countertop	8796	6698-46-Countertop-PALOMA POLAR ETCHINGS FINISH-Formica ***STD***									
Countertop Edge	1111	N/A *****									
Floor Tile	9106	GE.MD.WHT.1818.MT Madison Series White Matte 18 X 18 Matte ***1***									
Floor Tile Grout	2225	Grout-(27) Silver ***STD***									
Floor Tile Pattern	3000	STANDARD SQUARE ***STD*** <table border="1" style="width: 100px; height: 100px; margin-top: 5px;"> <tr><td></td><td></td><td></td></tr> <tr><td></td><td></td><td></td></tr> <tr><td></td><td></td><td></td></tr> </table>									
Wall Tile	5420	QT.SP.DGR.0810-Splendour-Dark Grey-8 inch x 10 inch ***STD***									
Wall Tile Grout	2226	Grout-(00) White ***STD***									
Wall Tile Pattern	3070	HORIZONTAL STACKED ***STD*** <table border="1" style="width: 100px; height: 100px; margin-top: 5px;"> <tr><td></td><td></td></tr> <tr><td></td><td></td></tr> <tr><td></td><td></td></tr> <tr><td></td><td></td></tr> </table>									
Opt. Shower Floor Tile	8661	OD.ON.SWT.0202.MT.N-Ontario Series Mosaic-Snow White Matte-2 x 2 ***STD***									
Opt. Shower Floor Tile Grout	2226	Grout-(00) White ***STD***									
Opt. Shower Floor Tile Pattern	3000	STANDARD SQUARE ***STD*** <table border="1" style="width: 100px; height: 100px; margin-top: 5px;"> <tr><td></td><td></td><td></td></tr> <tr><td></td><td></td><td></td></tr> <tr><td></td><td></td><td></td></tr> </table>									
Opt. Shower Jamb(s) and Sill(s)	8923	Shower Jamb / Sill-Thassos White ***STD***									
Plumbing Fixture (colour)	1737	Plumbing Fixtures-WHITE ***STD***									
Comment											

Main Stairs

Type	1712	Oak Stairs ***STD***
Colour	7922	Eclipse (Pewter) STAIN TO COMPLIMENT HARDWOOD AND WILL VARY FROM FLOORING ***99***
Handrail/Pickets/Posts Type	8148	Single Collar Alt. Plain w/ Shoes with 3 1/2" Square/Cap Post(s)-BLACK ***2***
Handrail/Pickets/Posts Colour	7922	Eclipse (Pewter) STAIN TO COMPLIMENT HARDWOOD AND WILL VARY FROM FLOORING ***99***
Custom Stain/Paint	1111	N/A *****
Landing(s)	8499	Red Oak UVF-Vintage Red Oak Solid Sculpted-PEWTER-3/4 inch X 5 inch **UPG**
Opt. Carpet Runner	1111	N/A *****
Comment		

Harpreet Singh/
 Project: Wallaceton
 Unit: 346, Phase: 3
 Model: 28-2897 C THE KINGSMERE

Created: 9/8/2022 14:26:17

Locked:

Closed:

Comment

Lower Level Stairs

Type	1711	Carpet Grade Stairs ***OPT. FINISHED BASEMENT***
Colour	7922	Eclipse (Pewter) STAIN TO COMPLIMENT HARDWOOD AND WILL VARY FROM FLOORING ***99***
Handrail/Pickets/Posts Type	9119	Handrail only on closed walls (one or two sides per building code) ***STD***
Handrail/Pickets/Posts Colour	7922	Eclipse (Pewter) STAIN TO COMPLIMENT HARDWOOD AND WILL VARY FROM FLOORING ***99***
Custom Stain/Paint	1111	N/A *****
Landing(s)	9011	Red Oak PEARL-Vintage Red Oak Sculpted-PEWTER-3/4 inch X 5 inch ***UPG***
Opt. Carpet Runner	1111	N/A *****

Comment

Throughout

Switches and Plug	5796	Decora White Switches and Plugs ***STD***
Thresholds	2232	Metal Thresholds ***STD***
Underpad	1079	500 Series-Underpad ***STD***
Trim Size	8705	4 1/4 Baseboard and 2 3/4 Casings ***STD***
Trim - Paint Colour	1716	Trim-WHITE ***STD***
Walls - Paint Colour	1717	22-Wall-WARM GREY ***STD***

Comment

Purchaser: Harpreet Singh 3/10/22
 Harpreet Singh Date

[Signature] 3/10/22
 Decor Consultant Date

Purchaser: _____
 Date

M. Rosen -10-04 2022
 Wallaceton Date Approved



CONSTRUCTION SUMMARY

Lot: 346

Model: 28-2897 C THE KINGSMERE

Project/Phase: Wallaceton / 3

Offer Worksheet	Ten Thousand Dollars (\$10,000) At D?cor. (No Cash Value) Singles Note:
--------------------	----------------------------------------------------------------------------

Offer Worksheet	The Purchaser(s) acknowledge that they have NOT been referred by an existing Heathwood Homeowner and therefor are not entitled to a referral fee under Heathwood Homes Referral program. Note:
--------------------	---------------------------------------------------------------------------------------------------------------------------------------------------------------------------------------------------

Offer Worksheet	Finished Lower Level with finished bathroom- 922 Sq ft (The Kingsmere) Note:
--------------------	---------------------------------------------------------------------------------



CONSTRUCTION SUMMARY

Lot: 346
Model: 28-2897 C THE KINGSMERE
Project/Phase: Wallaceton / 3

ADMIN FEE

Invoice	Qty.	Description
1148 04Oct22 NoCat	1	- TEN THOUSAND DOLLARS (\$10,000) NO CASH VALUE

APPLIANCES

Invoice	Qty.	Description
1148 345,788 04Oct22	1	- APPLIANCES - AVH-308CS-AVG 30 inch STAINLESS STEEL CHIMNEY WALL MOUNTED HOODFAN ***UPG*** KITCHEN CABINETRY-delete stove uppers; ELECTRICAL-delete std range hood; HEATING/AIR CONDITIONING-Duct change to 6 in

CABINETRY

Invoice	Qty.	Description
1148 345,788 04Oct22 **	1	- APPLIANCES - AVH-308CS-AVG 30 inch STAINLESS STEEL CHIMNEY WALL MOUNTED HOODFAN ***UPG*** KITCHEN CABINETRY-delete stove uppers; ELECTRICAL-delete std range hood; HEATING/AIR CONDITIONING-Duct change to 6 in
1148 313,732 04Oct22	2	SHARED BATHROOM - B07-Top drawer price (per drawer) (Metabox standard levels 1-7, Tandembox standard levels 8-13) Viking SHARED BATH SKETCH # 5
1148 313,904 04Oct22	1	KITCHEN - B17-45cm wide pull-out door base cabinet waste/recycle centre with soft-close ([2] 35L bins per unit) (available only with 45cm wide cabinet) Viking KITCHEN N- SEE SKETCH # 3
1148 313,796 04Oct22	1	KITCHEN - B10-Pots and pans drawers (width min. 60cm/max. 90cm) (size subject to floor plan) Viking KITCHEN - SEE SKETCH # 3
1148 313,608 04Oct22	2	- D04-Increase vanity to kitchen height greater than 3 Feet (90cm high, maintains vanity depth) Viking MASTER ENSUITE; SHARED BATH SKETCH # 5
1148 313,572 04Oct22	3	- D03-Increase vanity to kitchen height 3 Feet or less (90cm high, maintains vanity depth) Viking ENSUITE 2& 3 AND BASEMENT BATH SKETCH # 5
1148 314,040 04Oct22	1	KITCHEN - H34-Wall cabinet with shelf for microwave (finished interior) (opening 24 InchW x 13 3/4 InchH x 17 InchD) Viking KITCHEN - SEE SKETCH # 3

CARPET

Invoice	Qty.	Description
1148 345,881 04Oct22 **	1	UPPER HALL - HARDWOOD - VINTAGE 5 IN RED OAK - UVF OIL OR SCULPTED - UPPER HALL - UPG CARPET-delete std carpet; INTERIOR TRIM-supply and install quarter rounds; PAINTING-paint quarter round



CONSTRUCTION SUMMARY

Lot: 346
 Model: 28-2897 C THE KINGSMERE
 Project/Phase: Wallaceton / 3

CERAMICS

Invoice	Qty.	Description
1148 345,426 04Oct22	1	- CERAMICS - KITCHEN - UPG 1
1148 345,423 04Oct22	1	- CERAMICS - FOYER FLOOR - UPG 1
1148 345,424 04Oct22	1	- CERAMICS - POWDER FLOOR - UPG 1
1148 345,428 04Oct22	1	- CERAMICS - SHARED BATH 2/4 FLOOR - UPG 1
1148 345,430 04Oct22	1	- CERAMICS - M.ENS BATH FLOOR - UPG 1
1148 345,427 04Oct22	1	- CERAMICS - BATH 5 FLOOR - UPG 1
1148 345,429 04Oct22	1	- CERAMICS - BATH 4 BATH FLOOR - UPG 1
1148 345,431 04Oct22	1	- CERAMICS - BASEMENT BATH FLOOR - UPG 1
1148 345,444 04Oct22	1	- CERAMICS - MASTER SHOWER FLOOR - UPG 2
1148 345,443 04Oct22	1	- CERAMICS - SHARED 2/3 SHOWER FLOOR - UPG 2

DRYWALL

Invoice	Qty.	Description
1148 345,692 04Oct22	1	MAIN FLOOR - DRYWALL - SMOOTH CEILING IN MAIN FLOOR - UPG PAINTING-Notify
1148 314,238 04Oct22 **	1	- ELECTRICAL - POTLIGHT BUNDLE - 8 X T477GR-W 4 INCH LINE VOLTAGE POTLIGHTS INCLUDES 2 SWITCHESMAIN FLOOR (SEE SLIM LINE FOR BASEMENT) 4 X GREAT ROOM ON 1 SWITCH AND 4 X KITCHEN ON 1 SWITCH SKETCH # 2 DRYWALL-Drywall/Ceiling cutouts for potlights; FRAMING-Frame to accommodate potlights



CONSTRUCTION SUMMARY

Lot: 346
Model: 28-2897 C THE KINGSMERE
Project/Phase: Wallaceton / 3

ELECTRICAL

Invoice	Qty.	Description
1148 314,232 04Oct22	1	GREAT ROOM - ELECTRICAL - EXTRA WALL INTERIOR OUTLET ON EXISTING CIRCUIT (DOES NOT INCLUDE KITCHEN OUTLETS) GREAT ROOM - TO BE CENTERED +/- ABOVE FIREPLACE APPROX. 70" +/- FROM FLOOR SKETCH # 2
1148 314,242 04Oct22	2	KITCHEN - ELECTRICAL - RELOCATION OF SWITCHES/LIGHTS (MUST SPECIFY LOCATION) - NOTE: PLUGS CANNOT BE RELOCATED- MUST PURCHASE ADDITIONAL OUTLET. KITCHEN - 2X STANDARD KITCHEN LIGHT OT BE CENTERED +/- ON ISLAND WITH EXISITNG SWITCH. SEE SKETCH # 2
1148 345,788 04Oct22 **	1	- APPLIANCES - AVH-308CS-AVG 30 inch STAINLESS STEEL CHIMNEY WALL MOUNTED HOODFAN ***UPG*** KITCHEN CABINETRY-delete stove uppers; ELECTRICAL-delete std range hood; HEATING/AIR CONDITIONING-Duct change to 6 in
1148 314,229 04Oct22	1	KITCHEN - ELECTRICAL - EXTRA WALL INTERIOR OUTLET (120V/15A) ON A SEPARATE CIRCUIT (ON ARCAFAULT) KITCHEN- TO BE LOCATED AT MICROWAVE SHELF SKETCH # 3
1148 314,238 04Oct22	1	- ELECTRICAL - POTLIGHT BUNDLE - 8 X T477GR-W 4 INCH LINE VOLTAGE POTLIGHTS INCLUDES 2 SWITCHESMAIN FLOOR (SEE SLIM LINE FOR BASEMENT) 4 X GREAT ROOM ON 1 SWITCH AND 4 X KITCHEN ON 1 SWITCH SKETCH # 2 DRYWALL-Drywall/Ceiling cutouts for potlights; FRAMING-Frame to accommodate potlights

FRAMING

Invoice	Qty.	Description
1148 314,238 04Oct22 **	1	- ELECTRICAL - POTLIGHT BUNDLE - 8 X T477GR-W 4 INCH LINE VOLTAGE POTLIGHTS INCLUDES 2 SWITCHESMAIN FLOOR (SEE SLIM LINE FOR BASEMENT) 4 X GREAT ROOM ON 1 SWITCH AND 4 X KITCHEN ON 1 SWITCH SKETCH # 2 DRYWALL-Drywall/Ceiling cutouts for potlights; FRAMING-Frame to accommodate potlights

GRANITE

Invoice	Qty.	Description
1148 343,168 04Oct22	1	- GRANITE - KITCHEN / ISLAND - GROUP 2 - UPG
1148 314,524 04Oct22 **	3	- PLUMBING - MOEN - VICHY - LAV SINGLE HANDLE FAUCET WITH LIFT ROD DRAIN - CHROME (MODEL: 6710) - 2X MASTER ENSUITE; 1X POWDER ROOM GRANITE-Cut to accomodate Faucet



CONSTRUCTION SUMMARY

Lot: 346
Model: 28-2897 C THE KINGSMERE
Project/Phase: Wallaceton / 3

HARDWOOD

Invoice	Qty.	Description
1148 345,881 04Oct22	1	UPPER HALL - HARDWOOD - VINTAGE 5 IN RED OAK - UVF OIL OR SCULPTED - UPPER HALL - UPG CARPET-delete std carpet; INTERIOR TRIM-supply and install quarter rounds; PAINTING-paint quarter round
1148 345,872 04Oct22	1	DINING ROOM - HARDWOOD - VINTAGE 5 IN RED OAK - UVF OIL OR SCULPTED - DINING ROOM - UPG
1148 345,871 04Oct22	1	GREAT ROOM / BREAKFAST - HARDWOOD - VINTAGE 5 IN RED OAK - UVF OIL OR SCULPTED - GREAT ROOM / BREAKFAST - UPG
1148 345,874 04Oct22	3	LANDINGS - HARDWOOD - VINTAGE 5 IN RED OAK - UVF OIL OR SCULPTED - LANDINGS - UPG
1148 345,873 04Oct22	1	MAIN HALL - HARDWOOD - VINTAGE 5 IN RED OAK - UVF OIL OR SCULPTED - MAIN HALL - UPG

HEATING / AIR CONDITIONING

Invoice	Qty.	Description
1148 345,788 04Oct22 **	1	- APPLIANCES - AVH-308CS-AVG 30 inch STAINLESS STEEL CHIMNEY WALL MOUNTED HOODFAN ***UPG*** KITCHEN CABINETRY-delete stove uppers; ELECTRICAL-delete std range hood; HEATING/AIR CONDITIONING-Duct change to 6 in

INTERIOR RAILINGS

Invoice	Qty.	Description
1148 345,767 04Oct22	1	- Interior Railings - BLACK METAL - SINGLE COLLAR ALT. PLAIN W/ SHOES WITH 3 1/2" SQUARE/CAP POST(S) AS PER PLAN - MAIN AND 2ND FLOOR - UPG

INTERIOR TRIM AND DOORS

Invoice	Qty.	Description
1148 345,881 04Oct22 **	1	UPPER HALL - HARDWOOD - VINTAGE 5 IN RED OAK - UVF OIL OR SCULPTED - UPPER HALL - UPG CARPET-delete std carpet; INTERIOR TRIM-supply and install quarter rounds; PAINTING-paint quarter round

PAINTING

Invoice	Qty.	Description
1148 345,692 04Oct22 **	1	MAIN FLOOR - DRYWALL - SMOOTH CEILING IN MAIN FLOOR - UPG PAINTING-Notify
1148 345,881 04Oct22 **	1	UPPER HALL - HARDWOOD - VINTAGE 5 IN RED OAK - UVF OIL OR SCULPTED - UPPER HALL - UPG CARPET-delete std carpet; INTERIOR TRIM-supply and install quarter rounds; PAINTING-paint quarter round



CONSTRUCTION SUMMARY

Lot: 346

Model: 28-2897 C THE KINGSMERE

Project/Phase: Wallaceton / 3

PLUMBING

Invoice	Qty.	Description
1148 314,524 04Oct22	3	- PLUMBING - MOEN - VICHY - LAV SINGLE HANDLE FAUCET WITH LIFT ROD DRAIN - CHROME (MODEL: 6710) - 2X MASTER ENSUITE; 1X POWDER ROOM GRANITE-Cut to accomodate Faucet

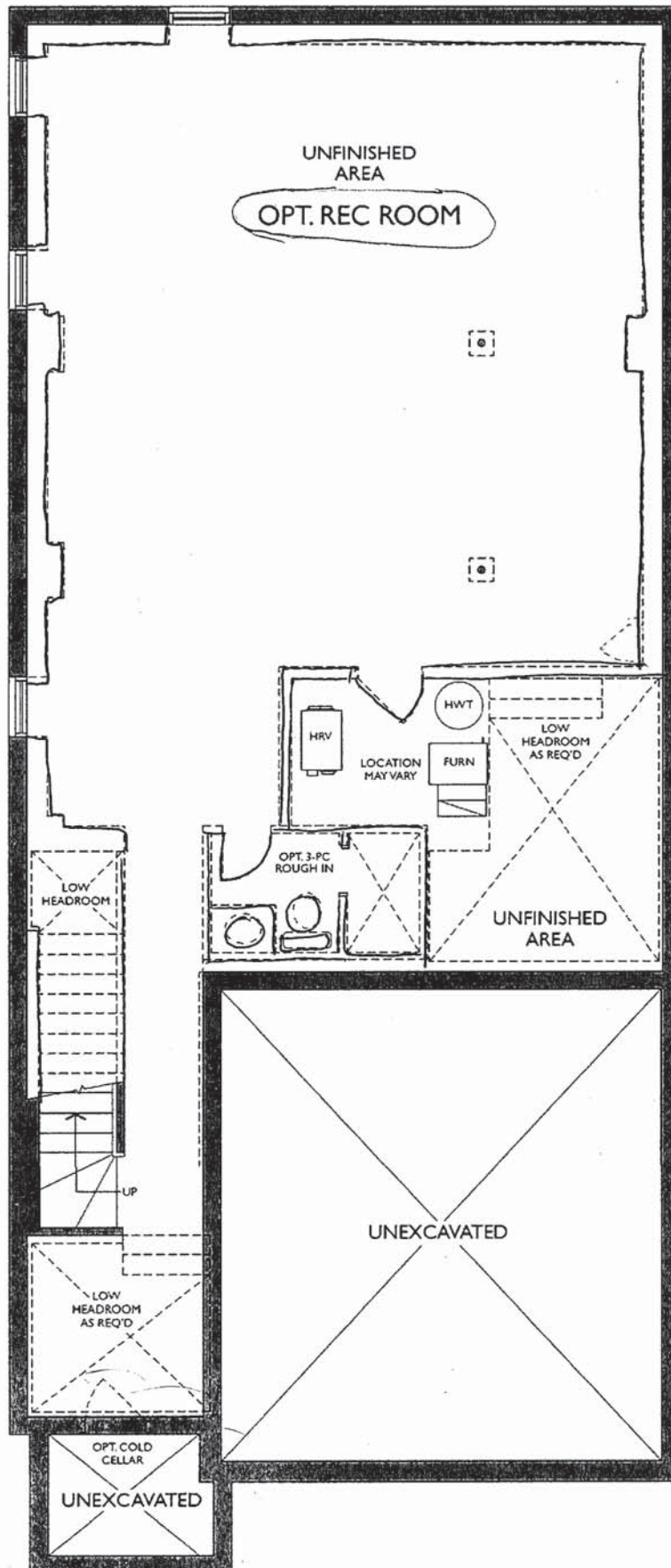
THE KINGSMERE

Sketch # 1

ELEVATION C | 2,894 SQ. FT.
922 sq. ft. of opt. finished Lower Level

28-2897 ELEV. C

WALLACETON
EST. 1870



MS

LOWER LEVEL
ELEVATION C

THE KINGSMERE

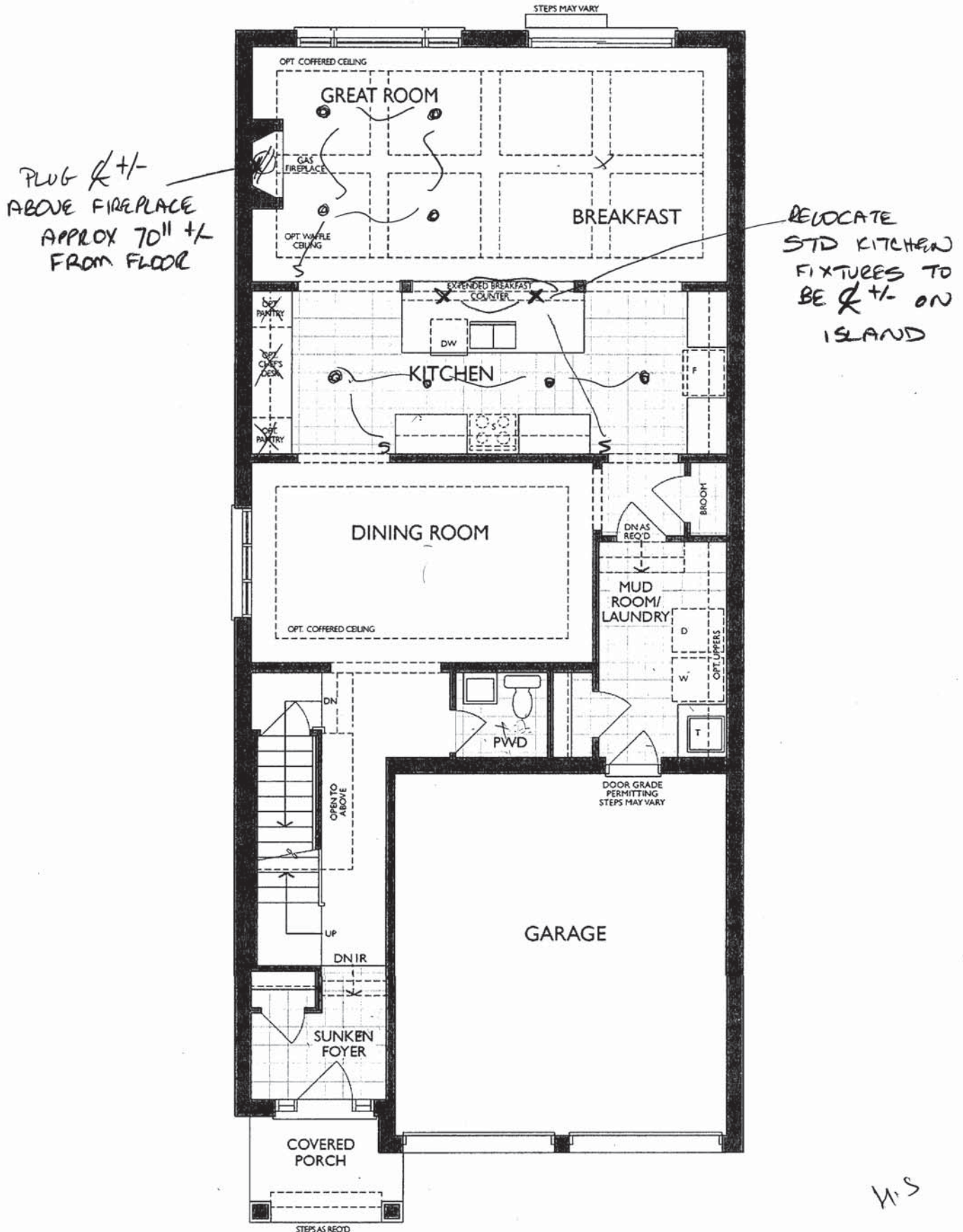
ELEVATION C | 2,894 SQ. FT.

922 sq. ft. of opt. finished Lower Level

28-2897 ELEV. C

WALLACETON
EST. 1870

Sketch # 2



MAIN FLOOR
ELEVATION C

KITCHEN
(GROUND FLOOR)

19 of 37

Project: Wallace-ton
Unit: 346, Phase: 3
Model: 28-2897 C THE KINGSMERE

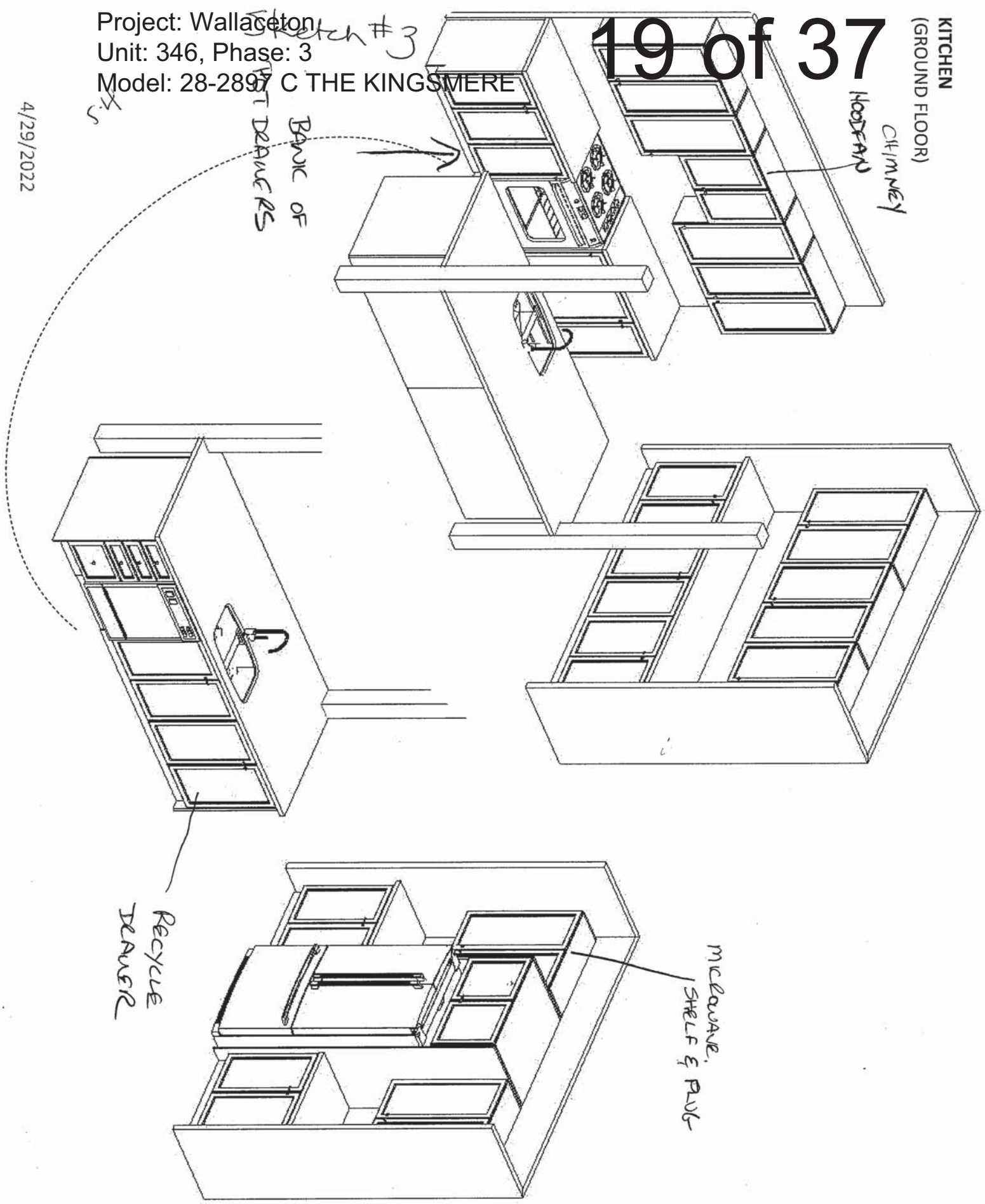
Sketch #3

X.S

BANK OF
DRAWERS

HOODSTAN
CHIMNEY

4/29/2022



F R E N D E L
KITCHENS LIMITED
1350 Shawson Drive, Mississauga, ON L4W 1C5

HEATHWOOD HOMES
WALLACE-TON, KITCHENER ON
MODEL: 28-2897 (3404)

STANDARD CONTRACT INCLUDES:

Appliance Openings

- Hood Opening: 30" W Builder hood
- Fridge Opening: 37 3/8" W X 73 3/8"
- Fridge cabinet & gables: 66cm Deep
- Stove Opening: 30" Freestanding
- Dishwasher Opening: 24"

Standard Kitchens Scope:

- 100cm H wall cabinets
- Std. Blumotion Hinges - **soft close**
- Std. Metabox Drawers - **not soft close**
- Min 40cm W drawer
- Base pie cut corner cabinets
- Backing on all cabinets
- Countertop by others
- Upgrade applied paneled fridge & dishwashers supply only (appliance hardware by others)

Standard Vanity & Laundry Scope:

- Powder by others, pedestal
- Master Ens. - Top by others
- Remaining vanities inc. laminate top
- Std. Blum Hinges - **not soft close**
- Std. Metabox Drawers - **not soft close**
- Master Ens: Top drawers (Sink Full height)
- Mains: Full height doors (top drawers added if Masters can't accommodate)
- Optional laundry base & wall cabinets

THIS DRAWING IS FOR DESIGN PURPOSES ONLY.
IT IS NOT AN EXACT RENDITION.

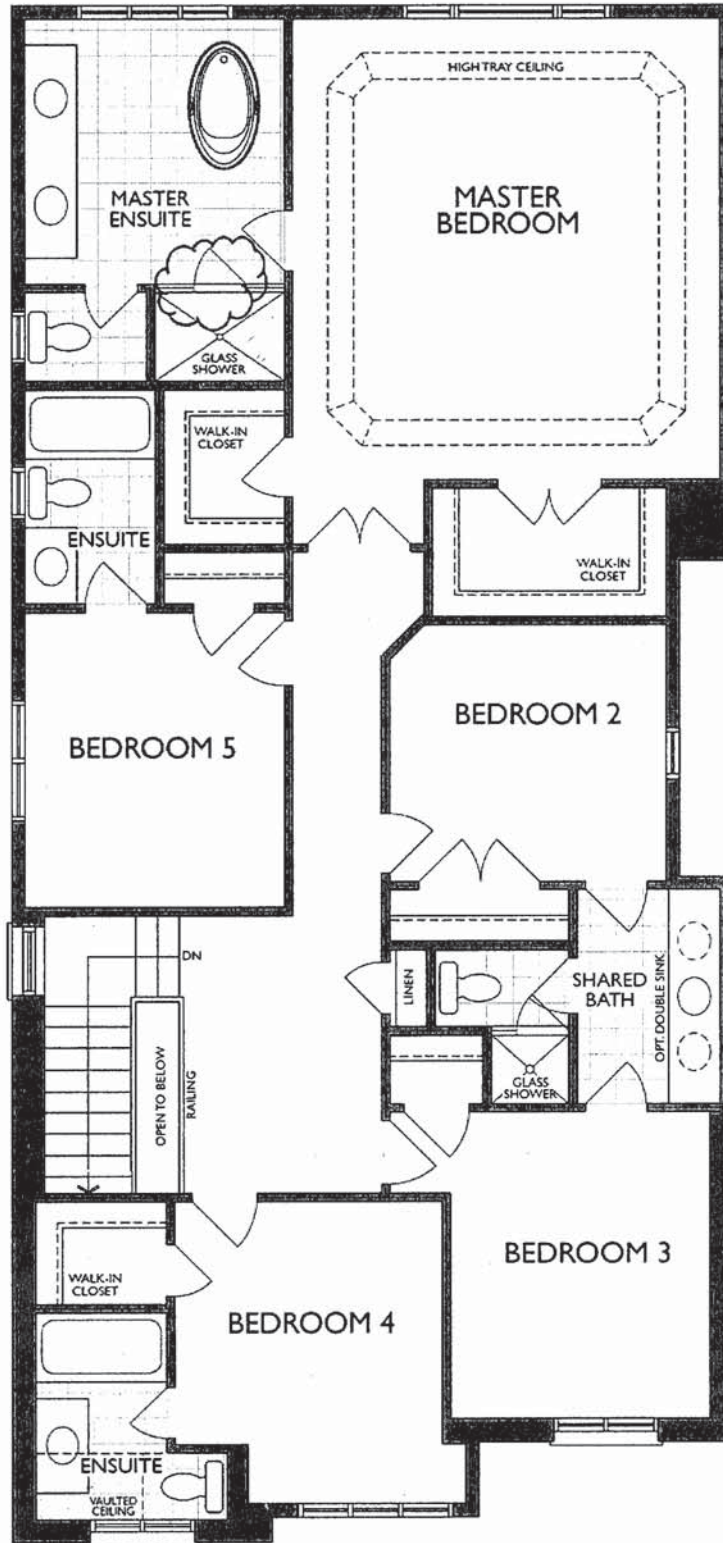
THE KINGSMERE

ELEVATION C | 2,894 SQ. FT.
922 sq. ft. of opt. finished Lower Level

WALLACETON
EST. 1870

Sketch #4

28-2897 ELEV. C



SECOND FLOOR
ELEVATION C

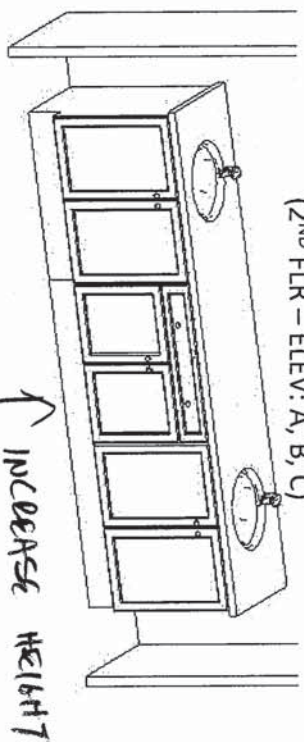
*Master Ensuite Shower Door Swing Changed

MS

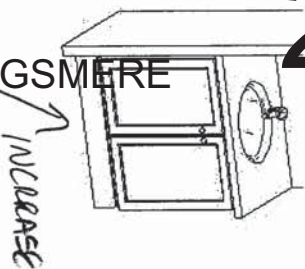
(3404) STANDARD 2ND FLOOR

21 of 37

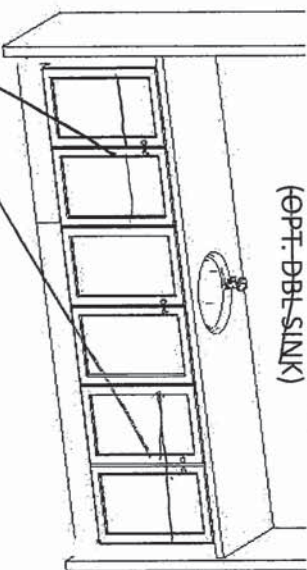
MASTER ENSUITE
(2ND FLR - ELEV: A, B, C)



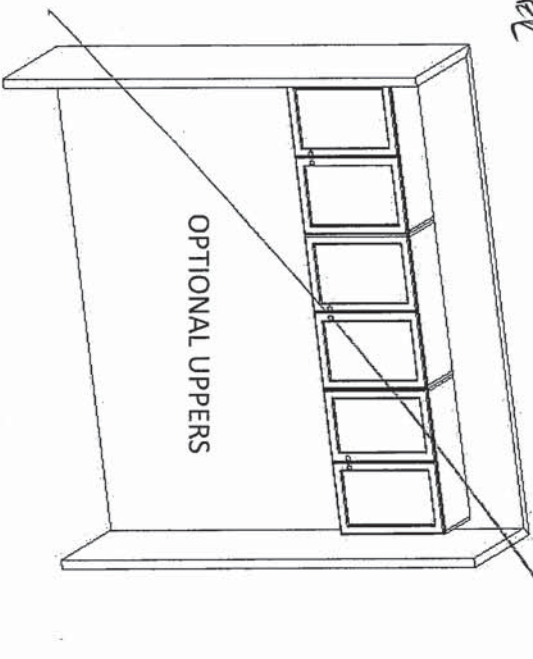
ENSUITE 5
(2ND FLR - ELEV: A, B, C)



SHARED ENSUITE
(2ND FLR - ELEV: A, B, C)
(OPT. DBL-SINK)

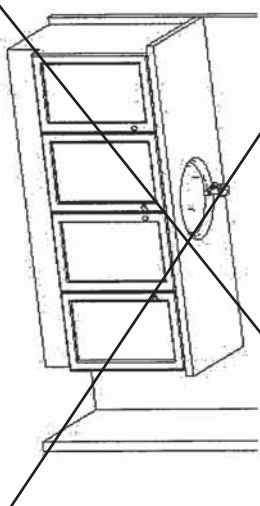


LAUNDRY OPT. UPPERS
(GROUND FLOOR)
Fix Top
Drawer

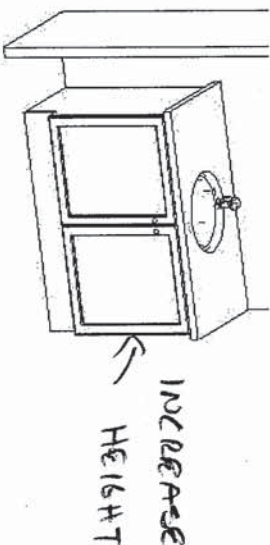


OPTIONAL UPPERS

ENSUITE 4
(2ND FLR - ELEV: A)

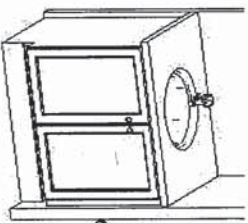


(2ND FLR - ELEV: B, C)



OR

OPT. BASEMENT BATH



INCREASE
HEIGHT

5-F



F R E N D E L'
K I T C H E N S L I M I T E D
1350 Shawson Drive, Mississauga, ON L4W 1C5

HEATHWOOD HOMES
WALLACETON, KITCHENER ON
MODEL: 28-2897 (3404)

STANDARD CONTRACT INCLUDES:

Appliance Openings

- Hood Opening: 30" W Builder hood
- Fridge Opening: 37 3/8" W X 73 3/8"
- Fridge cabinet & gables: 66cm Deep
- Stove Opening: 30" Freestanding
- Dishwasher Opening: 24"

Standard Kitchens Scope:

- 100cm H wall cabinets
- Std. Blumotion Hinges- **soft close**
- Std. Metabox Drawers- **not soft close**
- Min 40cm W drawer
- Base pie cut corner cabinets
- Backing on all cabinets
- Countertop by others
- Upgrade applied paneled fridge & dishwashers supply only (appliance hardware by others)

Standard Vanity & Laundry Scope:

- Powder by others, pedestal
- Master Ens. - Top by others
- Remaining vanities inc. laminate top
- Std. Blum Hinges- **not soft close**
- Std. Metabox Drawers- **not soft close**
- Master Ens: Top drawers (Sink Full height)
- Mains: Full height doors (top drawers added if Masters can't accommodate)
- Optional laundry base & wall cabinets

THIS DRAWING IS FOR DESIGN PURPOSES ONLY.
IT IS NOT AN EXACT RENDITION.

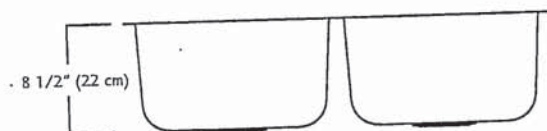
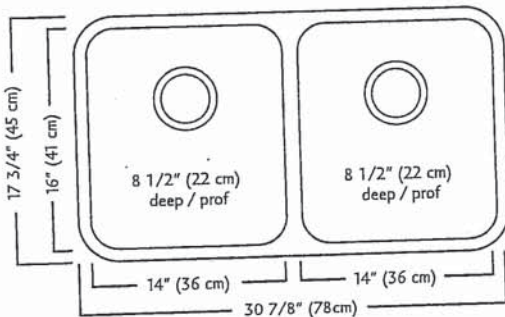
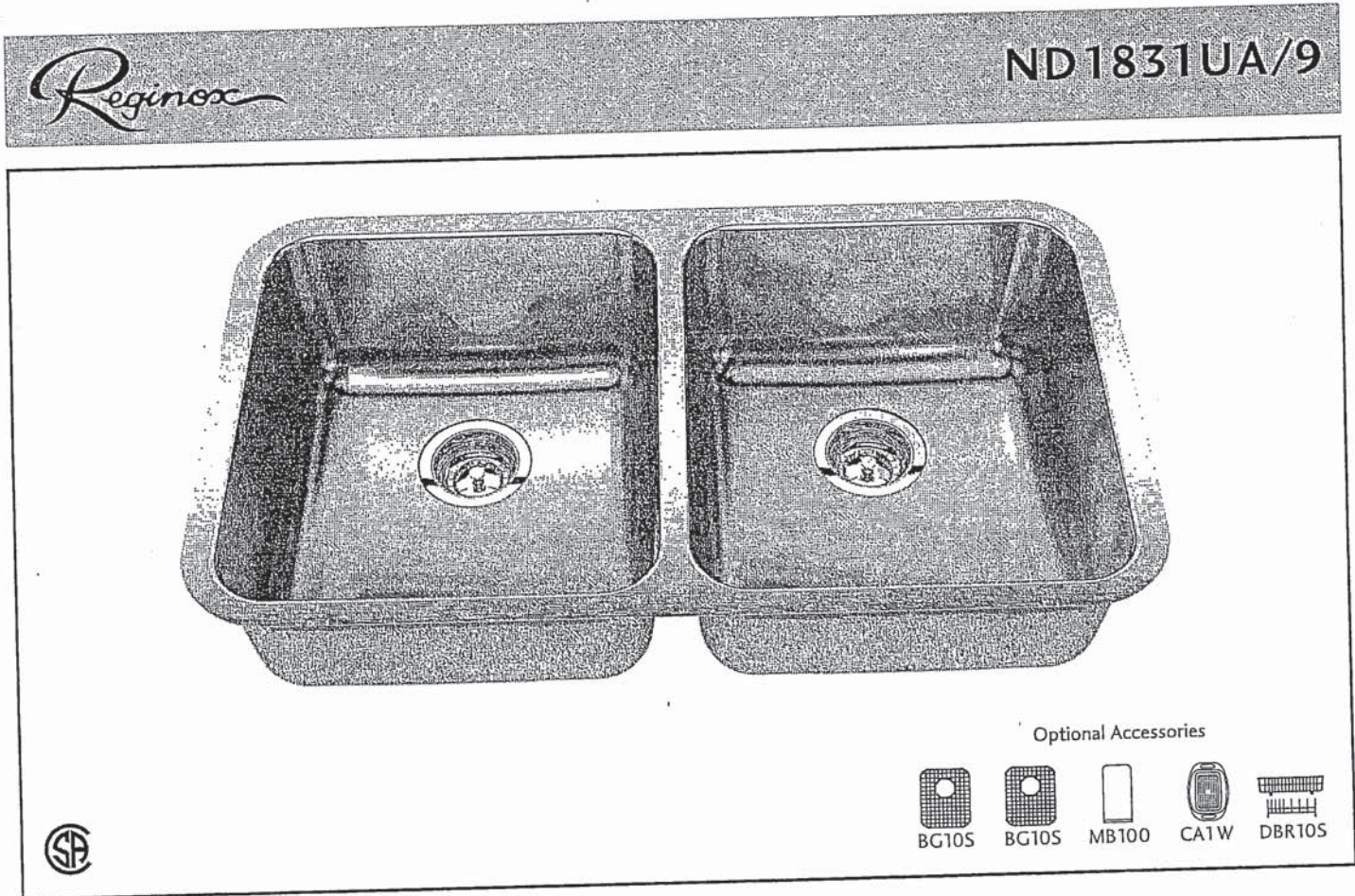
Project: Wallaceton
Unit: 346, Phase: 3
Model: 28-2897 C THE KINGSMERE

Sketch #5

4/29/2022



NEAS NF17 Mantel Cabinet



ND1831UA/9 SPECIFICATION

Model ND1831UA/9 is a double (two equal size) bowl undermount sink manufactured by Franke Kindred Canada Limited from 18 gauge stainless steel. Product has silk finished rims and linear brush finished bowls. Sink is fully undercoated. Basket strainer waste fittings (3 1/2", 89 mm) are included. Sink is backed with a limited lifetime warranty.

- O.D. 17 3/4" x 30 7/8" x 8 1/2" (45 x 78 x 22 cm)
- Recommended for minimum 36" cabinet

Franke Kindred Canada Limited
 P.O. Box 190, 1000 Franke Kindred Road, Midland, Ontario, Canada, L4R 4K9 Phone: 866-687-7465 Fax: 800-361-8408

h.s



There is more than 1 version of this model.
 Page down to identify the version you have.

FAUCET DESCRIPTION

- Reflex™ pulldown system offers smooth operation, easy movement and secure docking
- Power Clean™ spray technology
- Metal construction with various finishes identified by suffix
- Duralock™ connect installation
- Pulldown spray with 68" braided hose
- Flexible supply lines with 3/8" compression fittings
- High arc spout provides height and reach to fill or clean large pots while pulldown wand provides the maneuverability for cleaning or rinsing
- 360° rotating spout
- Faucet designed for handle to be mounted on right side only

OPERATION

- Lever style handle
- Temperature controlled by 100° arc of handle travel
- Operates with less than 5 lbs. of force
- Operates in stream or spray mode in the pullout or retracted position

FLOW

- Flow is limited to 1.5 gpm (5.7 L/min) max at 60 psi

CARTRIDGE

- 1255™ Duralast™ cartridge

STANDARDS

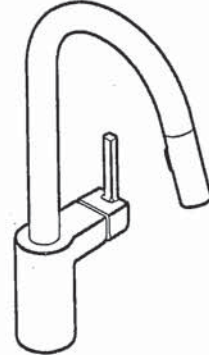
- Third party certified to IAPMO Green, ASME A112.18.1/CSA B125.1 and all applicable requirements therein including NSF 61/9G & 372
- Meets CalGreen and Georgia SB370 requirements
- Complies with California Proposition 65 and with the Federal Safe Drinking Water Act
- The backflow protection system in the device consists of two independently operating check valves, a primary and a secondary which prevent backflow

- ADA for lever handle

WARRANTY

- Lifetime limited warranty against leaks, drips and finish defects to the original homeowner
 - 10 year limited warranty when used in a multifamily installation
 - 5 year limited warranty when used in a commercial installation
- Visit www.moen.com/support for complete details and limitations

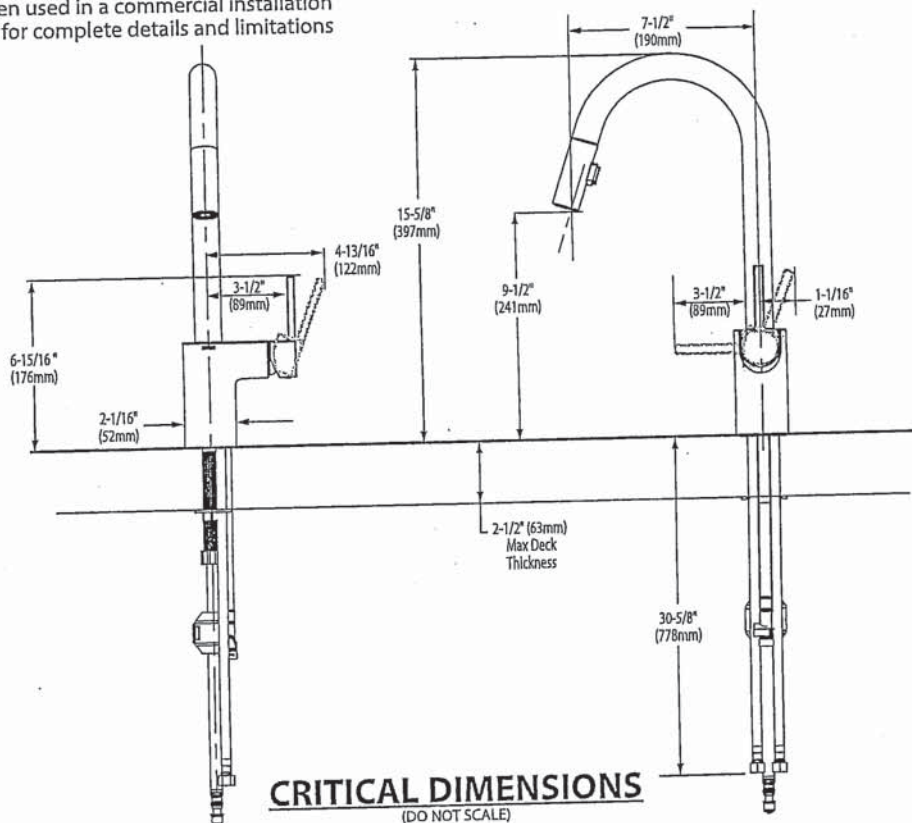
Specifications



ALIGN™
 Single Handle High Arc
 Pulldown Kitchen Faucet

Models: 7565 series

NOTE: THIS FAUCET IS DESIGNED TO BE INSTALLED THROUGH 1 HOLE, 1-1/2" (38mm) MIN. DIA. (OPTIONAL 3-HOLE ESCUTCHEON 141002 AVAILABLE)



M-S



**SEE SINGLE HOLE FAUCET SPECS

BOULEVARD®
PEDESTAL SINK
VITREOUS CHINA

BARRIER FREE (ABOVE COUNTER OR DROP-IN ONLY)

BOULEVARD® PEDESTAL SINK

- 0641.800 Faucet holes on 8" (203mm) centers (Illustrated)
- 0641.400 Faucet holes on 4" (102mm) centers
- 0641.100 Center hole only
 - Classic styled rectangular pedestal lavatory
 - Vitreous china
 - Rear overflow
 - Supplied with mounting kit
 - Right Height® for greater comfort during use
 - Faucet ledge with large deck area (faucet not included)
 - Design coordinates with Boulevard® Toilet
 - Basin has flat bottom to also allow use as an **above counter sink** or a **drop-in sink** (with u-shaped cut out)

Nominal Dimensions:

24" x 19" x 35-1/2"
(610 x 483 x 902mm)

- 0641.008 Pedestal top-8" (203mm) centers
- 0641.004 Pedestal top-4" (102mm) centers
- 0641.001 Pedestal top-center hole only
- 0010.000 Pedestal only

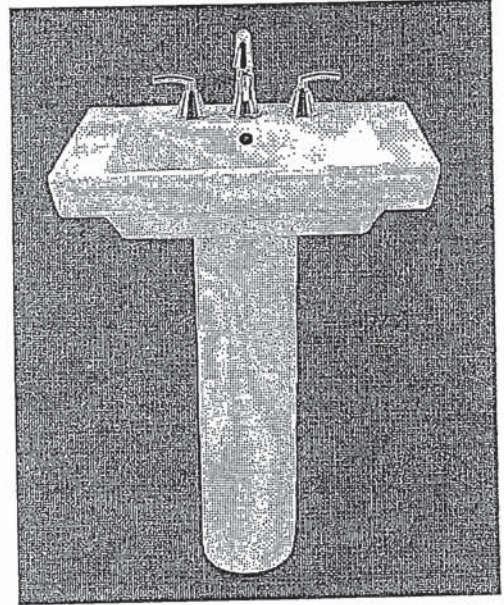
Bowl sizes:

17" (432mm) wide,
12-1/2" (318mm) front to back,
5" (127mm) deep

Compliance Certifications -

Meets or Exceeds the Following Specifications:

- ASME A112.19.2 - 2008/CSA B45.1-08



SEE REVERSE FOR ROUGHING-IN DIMENSIONS

To Be Specified:

- Color: White Linen
- Faucet Finish:
- Supplies:
- 1-1/4" Trap:
- Nipple:

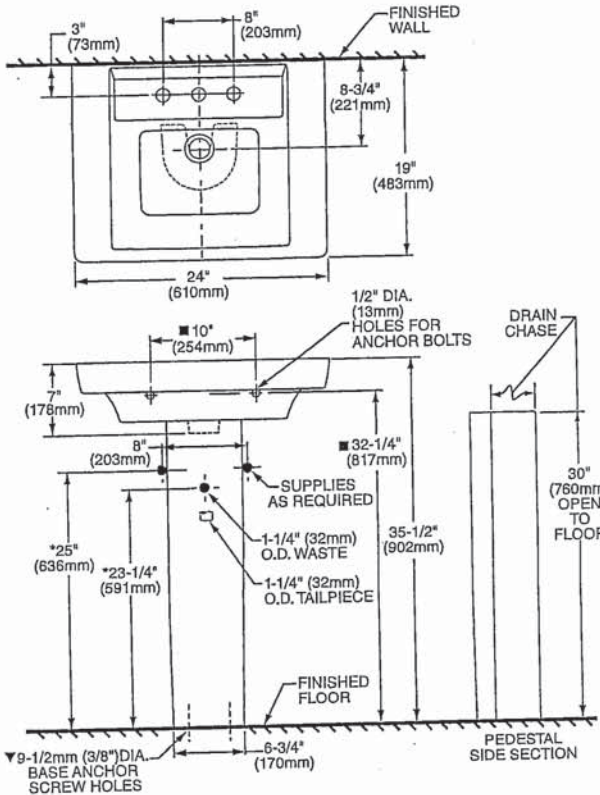
* See faucet section for additional models available



BOULEVARD® PEDESTAL SINK VITREOUS CHINA

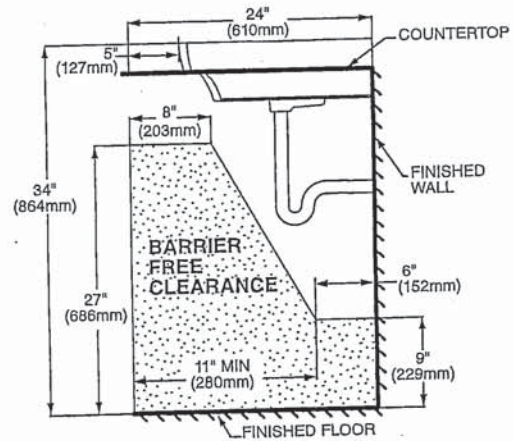
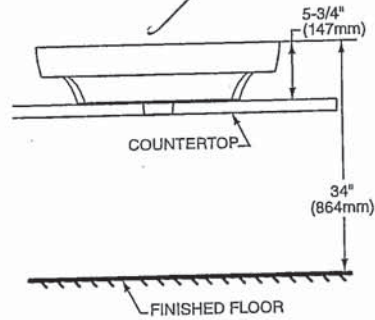
BARRIER FREE (ABOVE COUNTER OR DROP-IN ONLY)

TOP VIEW (ALL THREE CONFIGURATIONS)



PEDESTAL CONFIGURATION
 (NOT ADA COMPLIANT)

ABOVE COUNTER CONFIGURATION



DROP-IN SINK CONFIGURATION



ABOVE COUNTER AND DROP-IN SINK CONFIGURATIONS MEET THE AMERICANS WITH DISABILITIES ACT GUIDELINES AND ANSI A117.1 ACCESSIBLE AND USABLE BUILDINGS AND FACILITIES - CHECK LOCAL CODES.
 Top of sink installed at 34" (864mm) height from finished floor.
 Sink installed 5" (127mm) minimum from front edge of countertop.
 Provide 27" (686mm) knee clearance area.

- NOTES:**
 * DIMENSIONS SHOWN FOR LOCATION OF SUPPLIES AND "P" TRAPS ARE SUGGESTED.
 ▼ PEDESTAL ANCHORING SCREWS NOT INCLUDED.
 ■ SUITABLE FOR REINFORCEMENT ONLY. ACTUAL DIMENSIONS MUST BE TAKEN FROM FIXTURE.
 FITTING NOT INCLUDED AND MUST BE ORDERED SEPARATELY.
 PROVIDE SUITABLE REINFORCEMENT FOR ALL WALL SUPPORTS.
 INSTALLATION INSTRUCTIONS SUPPLIED WITH LAVATORY.

IMPORTANT: Dimensions of fixtures are nominal and may vary within the range of tolerance established by ANSI Standard A112.19.2. These measurements are subject to change or cancellation. No responsibility is assumed for use of superseded or voided pages.

h-3

American Standard

Style That Works Better

 BARRIER FREE

OVALYN™
UNDERCOUNTER SINK
VITREOUS CHINA

OVALYN™ UNDERCOUNTER SINK

- Classic oval undermount sink
- Made from vitreous china
- Front overflow
- Supplied with mounting kit (047194-0070A) and template

0495.221 Unglazed rim
435 x 359mm
(17-1/8" x 14-1/8")

0495.300 Glazed underside

Bowl size:

382mm (15-1/16") wide
306mm (12-1/16") front to back
140mm (5-1/2") deep

0496.221 Unglazed rim
489 x 413mm
(19-1/4" x 16-1/4")

0496.300 Glazed underside

Bowl size:

432mm (17") wide
356mm (14") front to back
140mm (5-1/2") deep

0497.221 Unglazed rim
546 x 441mm
(21-1/2" x 17-3/8")

0497.300 Glazed underside

Bowl size:

483mm (19") wide
391mm (15-3/8") front to back
140mm (5-1/2") deep

Compliance Certifications -

Meets or Exceeds the Following Specifications:

- ASME A112.19.2M for Vitreous China Fixtures
- CAN/CSA B45 series

To Be Specified:

- Color: White Bone Linen
 Silver Fawn Beige Black
- Faucet*:
 Faucet Finish:
 Supplies:
 1-1/4" Trap:

* See faucet section for additional models available



2x Master

STD Master Ensuite Undermount SINGLES

SEE REVERSE FOR ROUGHING-IN DIMENSIONS

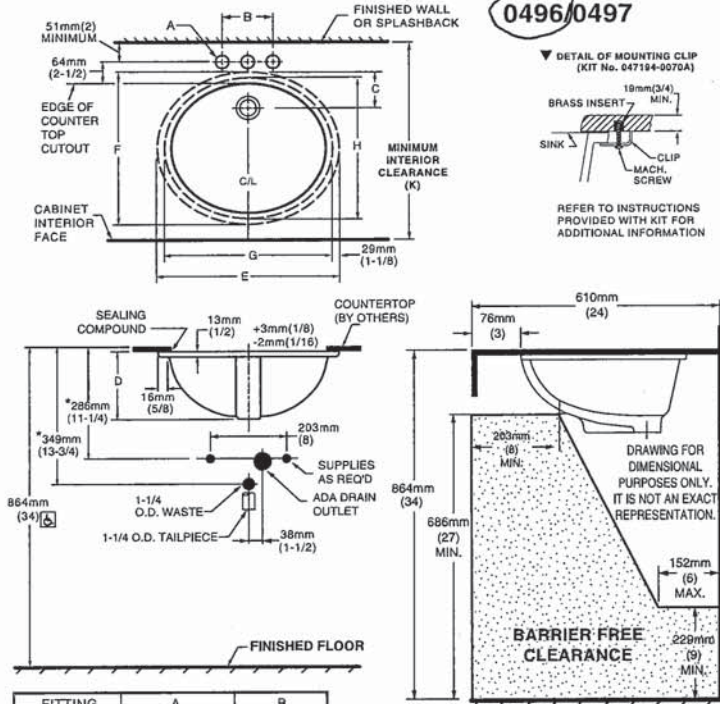
h s

American Standard
 Style That Works Better

OVALYN™
UNDERCOUNTER SINK
 VITREOUS CHINA

BARRIER FREE

0496/0497



NOTES:
 * DIMENSIONS SHOWN FOR LOCATION OF SUPPLIED AND "P" TRAP ARE SUGGESTED.
 ▼ UNDERCOUNTER MOUNTING KIT SUPPLIED WITH SINK.
PLEASE NOTE MINIMUM INTERIOR CLEARANCE DIMENSION (K). FITTINGS NOT INCLUDED AND MUST BE ORDERED SEPARATELY. USE ENCLOSED TEMPLATE FOR COUNTERTOP CUTOUT SEALING COMPOUND SUPPLIED BY OTHERS.

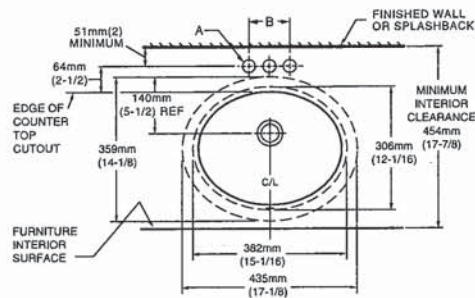
IMPORTANT: Dimensions of fixtures are nominal and may vary within the range of tolerances established by ANSI Standard A112.19.2. These measurements are subject to change or cancellation. No responsibility is assumed for use of superseded or voided pages.

MEETS THE AMERICANS WITH DISABILITIES ACT GUIDELINES AND ANSI A117.1 ACCESSIBLE AND USEABLE BUILDINGS AND FACILITIES - CHECK LOCAL CODES.

Countertop 864mm (34") from finished floor. Lavatory installed 76mm (3") from front edge of countertop. Countertop thickness to be 25mm (1") maximum.

FITTING	A	B
CENTERSET	1-1/4 (32mm)	4 (102mm)
SPREAD	1-3/8 (35mm)	8 (203mm)

CAT. NO.	E	F	G	H	C	D	J	K
0496.221	489mm (19-1/4)	413mm (16-1/4)	432mm (17)	356mm (14)	103mm (4-1/16)	182mm (7-3/16)	18mm (5/8)	500mm (19-11/16)
0497.221	546mm (21-1/2)	441mm (17-3/8)	483mm (19)	391mm (15-3/8)	95mm (3-3/4)	191mm (7-1/2)	19mm (3/4)	534mm (21-1/16)



0495

NOTES:
 * DIMENSIONS SHOWN FOR LOCATION OF SUPPLIED AND "P" TRAP ARE SUGGESTED.
 ▼ UNDERCOUNTER MOUNTING KIT SUPPLIED WITH SINK.
PLEASE NOTE MINIMUM INTERIOR CLEARANCE DIMENSION (K). FITTINGS NOT INCLUDED AND MUST BE ORDERED SEPARATELY. USE ENCLOSED TEMPLATE FOR COUNTERTOP CUTOUT SEALING COMPOUND SUPPLIED BY OTHERS.

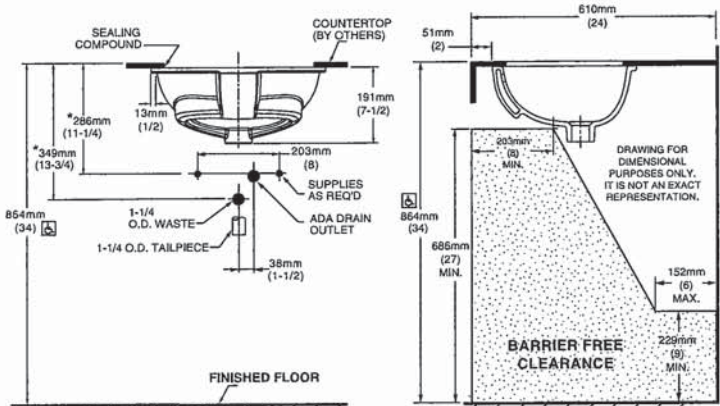
FITTING	A	B
CENTERSET	1-1/4 (32mm)	4 (102mm)
SPREAD	1-3/8 (35mm)	8 (203mm)

NOTES:
 USE ENCLOSED TEMPLATE FOR COUNTER TOP CUTOUT. FITTINGS NOT INCLUDED WITH FIXTURE AND MUST BE ORDERED SEPARATELY.
 * DIMENSIONS SHOWN FOR LOCATION OF SUPPLIED AND "P" TRAP ARE SUGGESTED.
 ▼ UNDERCOUNTER MOUNTING KIT SUPPLIED WITH SINK.
PLEASE NOTE MINIMUM INTERIOR CLEARANCE DIMENSION (K). SEALING COMPOUND SUPPLIED BY OTHERS.

IMPORTANT: Dimensions of fixtures are nominal and may vary within the range of tolerances established by ANSI Standard A112.19.2. These measurements are subject to change or cancellation. No responsibility is assumed for use of superseded or voided pages

MEETS THE AMERICANS WITH DISABILITIES ACT GUIDELINES AND ANSI A117.1 ACCESSIBLE AND USEABLE BUILDINGS AND FACILITIES - CHECK LOCAL CODES.

Countertop 864mm (34") from finished floor. Lavatory installed 51mm (2") from front edge of countertop. Countertop thickness to be 25mm (1") maximum.



h-5

American Standard

BARRIER FREE

COLONY™
COUNTERTOP SINK
 VITREOUS CHINA

COLONY COUNTERTOP SINK

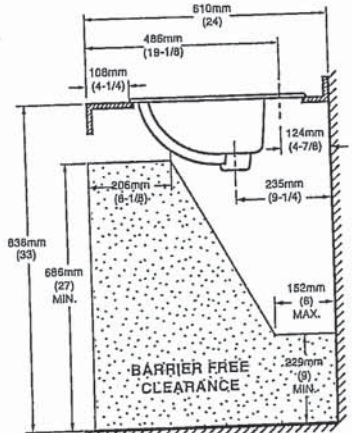
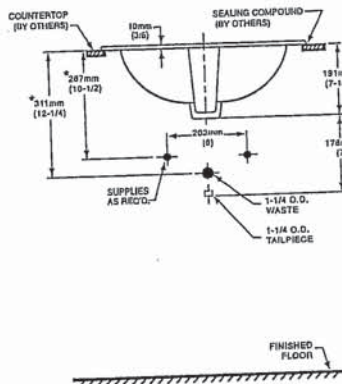
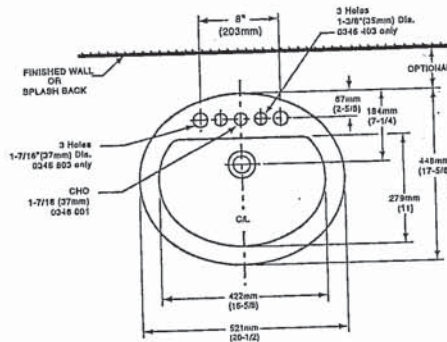
- Vitreous china
- Self-rimming
- Front overflow
- Supplied with template
- Faucet deck
 (Faucet shown not included)

- 0346 803
 Faucet holes on 203mm (8") centres
- 0346 403 (Illustrated)
 Faucet holes on 102mm (4") centres
- 0346 001
 Centre hole only



Nominal Dimensions:
 521 x 448mm (20-1/2" x 17-5/8")

Bowl sizes:
 422mm (16-5/8") wide, 279mm (11") front to back, 143mm (5-5/8") deep



COMPLIANCE CERTIFICATIONS –
 Meets or exceeds the following Specifications:
 • ASME A112.19.2M for Vitreous China Fixtures.
 • CAN/CSA B45 Series.

To Be Specified

- Colour: White Bone Silver Gray Linen
- Faucet*:
- Faucet Finish:
- Supplies & Stops:
- Trap 1-1/4" (32 mm):

NOTES:
 * DIMENSIONS SHOWN FOR LOCATION OF SUPPLIES AND "P" TRAP ARE SUGGESTED. FOR COUNTERTOP CUTOUT AND INSTALLATION INSTRUCTIONS USE TEMPLATE SUPPLIED WITH SINK.
 FAUCETS NOT INCLUDED AND MUST BE ORDERED SEPARATELY.
 IMPORTANT: Dimensions of fixtures are nominal and may vary within the range of tolerances established by ANSI Standard A112.19.2. These measurements are subject to change or cancellation. No responsibility is assumed for use of superseded or voided pages.

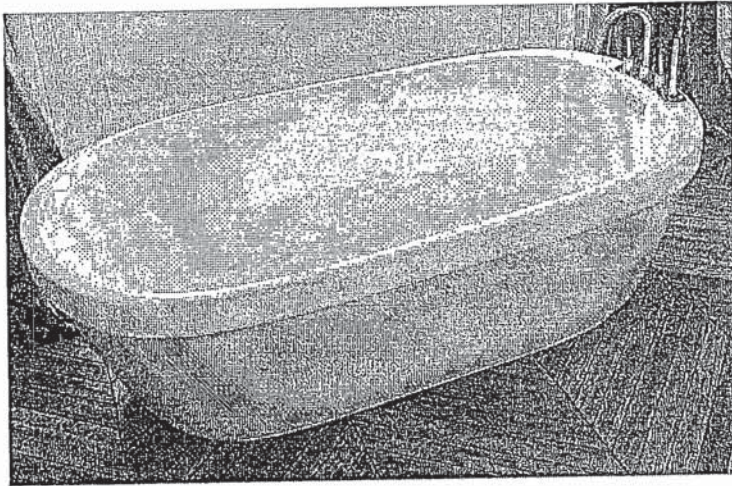
* See faucet section for additional models available

h-s



DEMI™ Product Specification Sheet

Two Piece Freestanding Collection



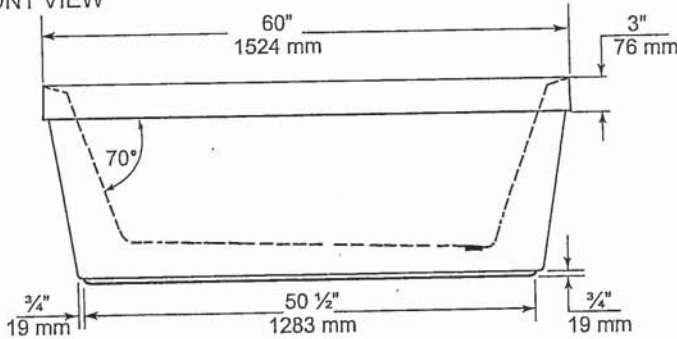
CF2007	Two Piece Freestanding Soaker
Size:	60" x 32" x 22" 1524 mm x 813 mm x 559 mm

PRODUCT FEATURES & BENEFITS

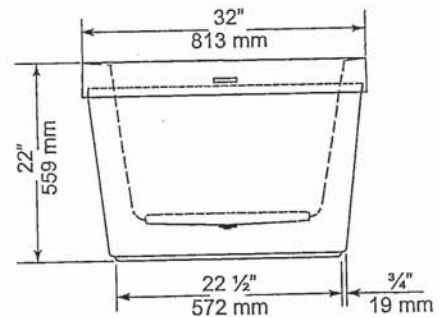
- Vacuum formed acrylic reinforced with fiberglass
- Scratch, stain and fade resistant high gloss finish
- Installation friendly two piece design
- Accepts deck mounted faucet
- Includes integral pop up drain and rectangular overflow
- Includes levelling feet

TWO PIECE ASSEMBLY

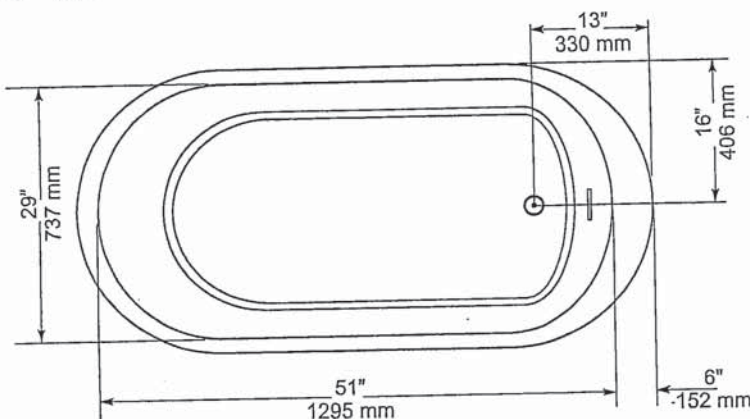
FRONT VIEW



END VIEW



TOP VIEW



GENERAL SPECIFICATIONS

Average Weight	90 lb	41 kg
Bathing Well at bottom	43"x 20"	1092 x 508 mm
Capacity Drain to Overflow		195 litres
Water Depth Drain to Overflow	16"	406 mm
Drain Opening (dia.)	2"	51 mm
Overflow Opening	2 1/4"x 1 1/2"	57 x 13 mm
Drain to Floor Clearance	3 1/4"	83 mm

NOTES: Please confirm measurements on actual product to ensure proper identification. Bathtub to be installed on the floor supported by 5 self levelling feet. Adjust if required to level the bathtub for adequate drainage. Refer to installation instructions for additional information.

IMPORTANT: Dimensions of fixtures are nominal and may vary ± 1/4" (6 mm). Weight may vary ± 5 lb (2.3 kg). Drawing is not to scale. These measurements are subject to change at manufacturer's discretion.

Compliance Certifications -

Meets or Exceeds the following Specifications:

- CAN/CSA - B45 Series



60 Shorncliffe Rd., Toronto, Ontario M8Z 5K1
 Telephone: 416.231.9030 Fax: 416.231.0929
 www.mirolin.com

Customer Service: 416.231.5790
 Canada, U.S.A.: 800.MIROLIN(647-6546)
 Fax, Canada: 800.463.2236

R0084162
 25 Sep. 2018

American Standard
 Style That Works Better

FloWise™ DUAL FLUSH
 ELONGATED TOILET
 VITREOUS CHINA

FloWise™ DUAL FLUSH ELONGATED TOILET

- 2476 216
 - Vitreous china
 - Low-consumption Dual Flush
 Full flush 6.0 Lpf/1.3 gpf,
 Partial flush 3.0 Lpf/0.66 gpf.
 - Elongated wash down bowl
 - Internal trapway fully-glazed,
 2-1/4" (57mm) ballpass
 - Concealed trapway bowl
 - Chrome-plated top mounted
 push button actuator
 - Easy to clean sanitary dam on bowl
 - Includes Elongated Slow Close Seat
 - 100% factory flush tested
 - 2 bolt caps

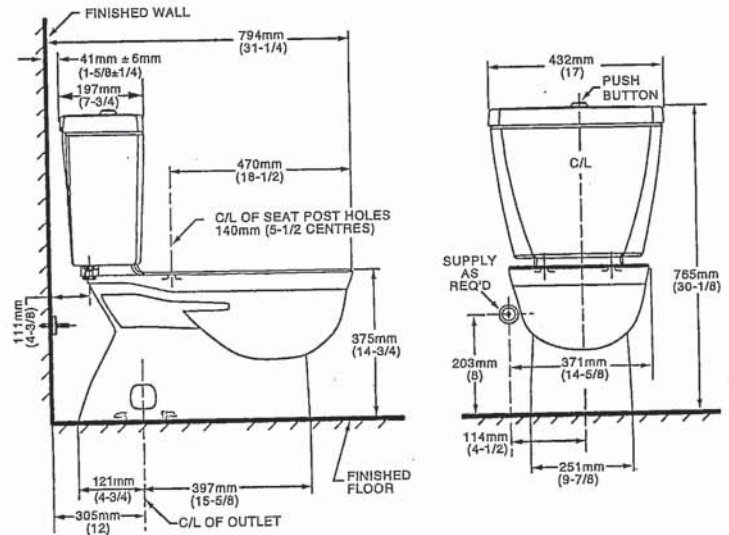


Separate Component Parts:

- 3067 316 Elongated Bowl with Slow Close Seat
- 4035 216 Unlined Tank

- 2476 516 Same as above with Lined tank
 - 3067 316 Elongated Bowl
 - 4035 516 Lined Tank

Nominal Dimensions:
 794 x 432 x 765mm
 (31-1/4" x 17" x 30-1/8")



Compliance Certifications -
 Meets or Exceeds the Following Specifications:

- ASME A112.19.2M (and 19.6M)
- CAN/CSA B45 series

To Be Specified

- Colour: 020 White
- Supply with stop:

NOTES:

THIS TOILET IS DESIGNED TO ROUGH-IN AT A MINIMUM DIMENSION OF 305MM (12") FROM FINISHED WALL TO C/L OF OUTLET.
 SUPPLY NOT INCLUDED WITH FIXTURE AND MUST BE ORDERED SEPARATELY.
 * DIMENSION SHOWN FOR LOCATION OF SUPPLY IS SUGGESTED.
 FOR ADDITIONAL INFORMATION REFER TO INSTALLATION INSTRUCTIONS SUPPLIED.
 IMPORTANT: Dimensions of fixtures are nominal and may vary within the range of tolerance established by ANSI Standard A112.19.2
 These measurements are subject to change or cancellation. No responsibility is assumed for use of superseded or voided pages.

UPGRADED VALUE ADDED FEATURES AT NO EXTRA CHARGE

A.S.



Buy it for looks. Buy it for life.®

FAUCET DESCRIPTION

- Metal construction with chrome finish
- Flexible supply lines with 3/8" compression fittings
- Includes metal pop-up waste assembly
- Optional 3 hole deck plate (escutcheon) available

OPERATION

- Lever style handle
- Temperature controlled by 100° arc of handle travel
- Includes hot & cold temperature indicators

FLOW

- Flow is limited to 1.2 gpm max (4.5 L/min) at 60 psi

CARTRIDGE

- 1255™ Duralast™ cartridge
- Nonmetallic/nonferrous and ceramic material

STANDARDS

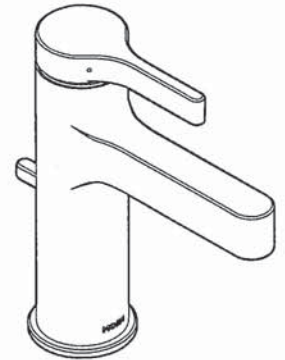
- Third party certified to WaterSense,® ASME A112.18.1/CSA B125.1, and all applicable requirements referenced therein
- Certified to NSF 61/9 & 372
- Compliant with California water efficiency regulations
- Complies with California Proposition 65 and with the Federal Safe Drinking Water Act
- ADA ♿ for lever handle

WARRANTY

- Lifetime limited warranty against leaks, drips and finish defects to the original consumer purchaser
- 5 year warranty if used in commercial installations

Specifications

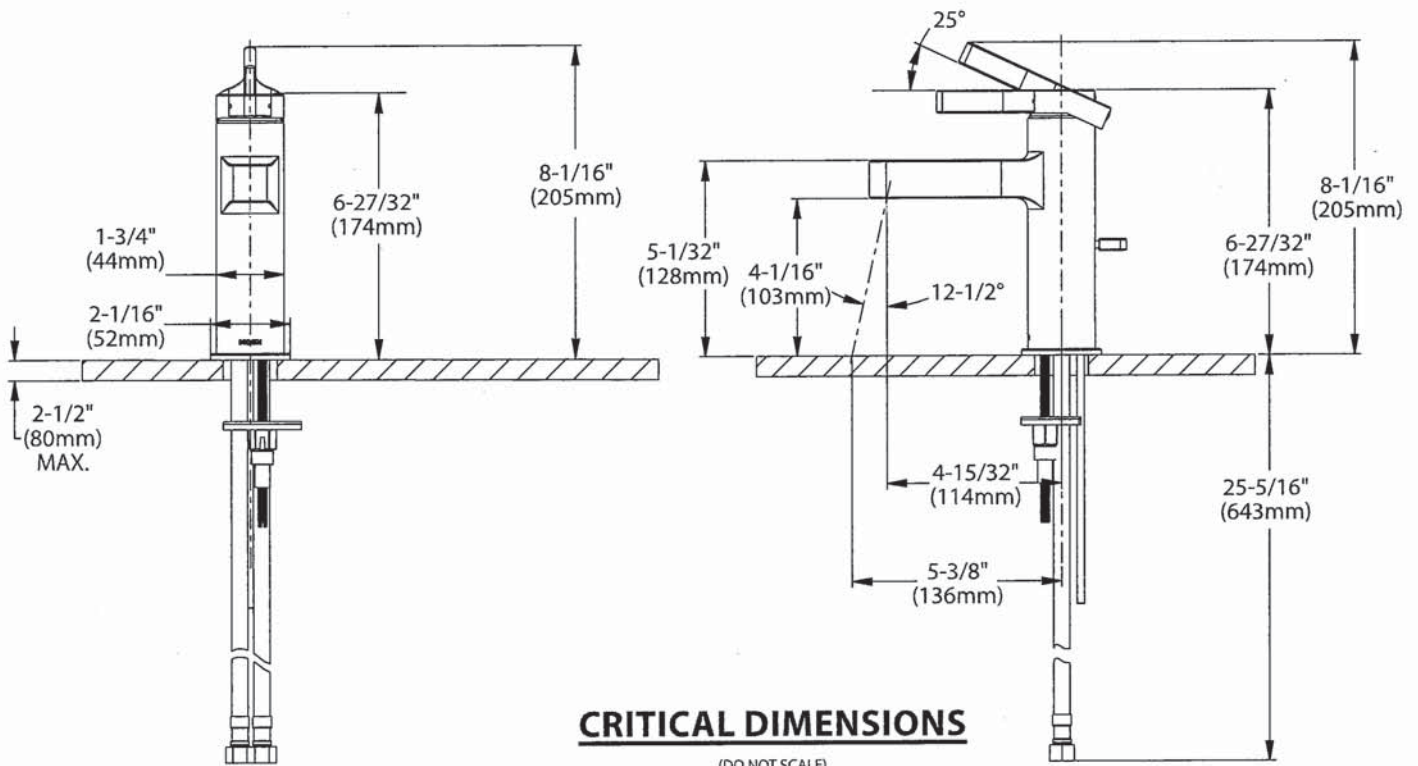
MASTER x 2
 POWDER x 1



Vichy™
 Single-Handle Lavatory Faucet

Model: 6710

NOTE: THIS FAUCET IS DESIGNED TO BE INSTALLED THRU 1 HOLE, 1-1/4" MIN. DIA.



H-3



There is more than 1 version of this model.
 Page down to identify the version you have.

DESCRIPTION

- Metal construction with various finishes identified by suffix
- Flexible supplies with 3/8" compression fittings
- Includes metal or 50/50 pop-up type waste assembly where noted

OPERATION

- Pivot action lever style handle
- Temperature controlled through 100° degree arc of handle travel

FLOW

- Water usage is limited to these maximum flow rates as indicated by the corresponding product markings
- ° 1.2 gpm max (4.5L/min) at 60 psi
- ° 1.5 gpm max (5.7L/min) at 60 psi

CARTRIDGE

- 1255™ Duralast™ cartridge
- Nonmetallic/nonferrous and stainless steel material

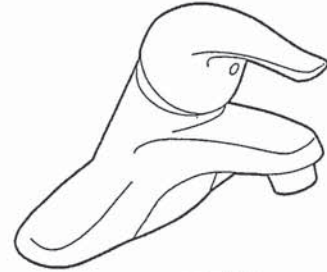
STANDARDS

- Third party certified to WaterSense®, ASME A112.18.1/CSA B125.1 and all applicable requirements referenced therein
- Certified to NSF 61/9 & 372
- Products marked with 1.2 gpm are compliant with California water efficiency regulations
- Complies with California Proposition 65 and with the Federal Safe Drinking Water Act

- ADA for lever handle

WARRANTY

- Lifetime limited warranty against leaks, drips and finish defects to the original consumer purchaser
- 5 year warranty if used in commercial installations



CHATEAU®
 Single-Handle Lavatory Faucet

with Metal Waste Assembly

Model: L4625 series
 L4631BC

Bulk Packed (12 per carton):
 L64624 series

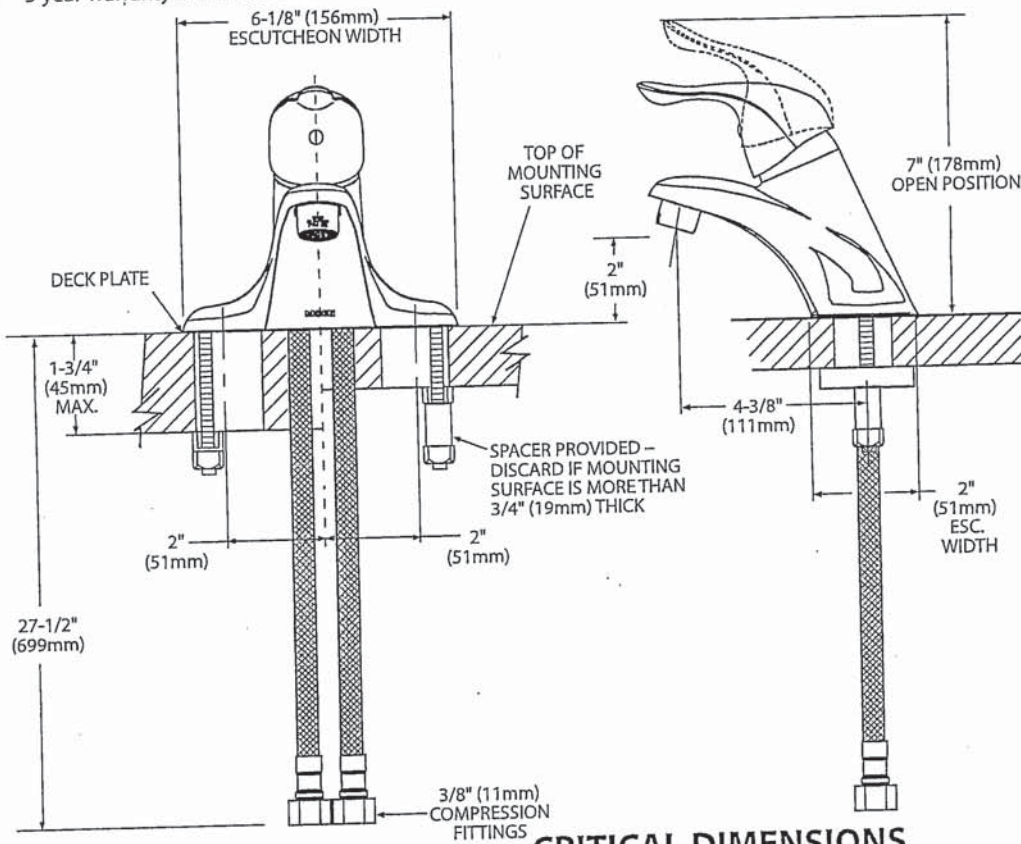
with 50/50 Waste Assembly

Bulk Packed (12 per carton):
 L64625 series

Less Waste

Bulk Packed (12 per carton):
 L64600 series

NOTE: THIS FAUCET IS DESIGNED TO BE INSTALLED THRU 3-1" DIA. HOLES, 2" ON CENTER



CRITICAL DIMENSIONS
 (DO NOT SCALE)

FOR MORE INFORMATION CALL: 1-800-BUY-MOEN
www.moen.com



Buy it for looks. Buy it for life.®

Specifications



CHATEAU® POSI-TEMP® Single-Handle Tub/Shower Trim Kit

DESCRIPTION

- Metal construction with various finishes identified by suffix
- Includes non-metallic showerhead, arm, flange and non-metallic diverter tub spout

OPERATION

- Handle operates counterclockwise through a 270° arc with off at 6 o'clock and maximum hot at the 9 o'clock position. Shut off in clockwise direction
- Adjustable temperature limit stop to control maximum hot water temperature
- Pressure balancing mechanism maintains selected discharge temperature to ± 3°

FLOW

- Showerhead is limited to 2.5 gpm (9.5 L/min) at 80 psi
- EP suffix models are limited to 1.75 gpm (6.6 L/min) at 80 psi
- NH suffix models contain no showerhead

CARTRIDGE

- 1222 cartridge design
- Accommodates back to back installations
- Nonmetallic/nonferrous and stainless steel material

STANDARDS

- Third party certified to meet ASME A112.18.1/CSA B125.1 and all applicable requirements referenced therein
- EP suffix models are third party certified to WaterSense®

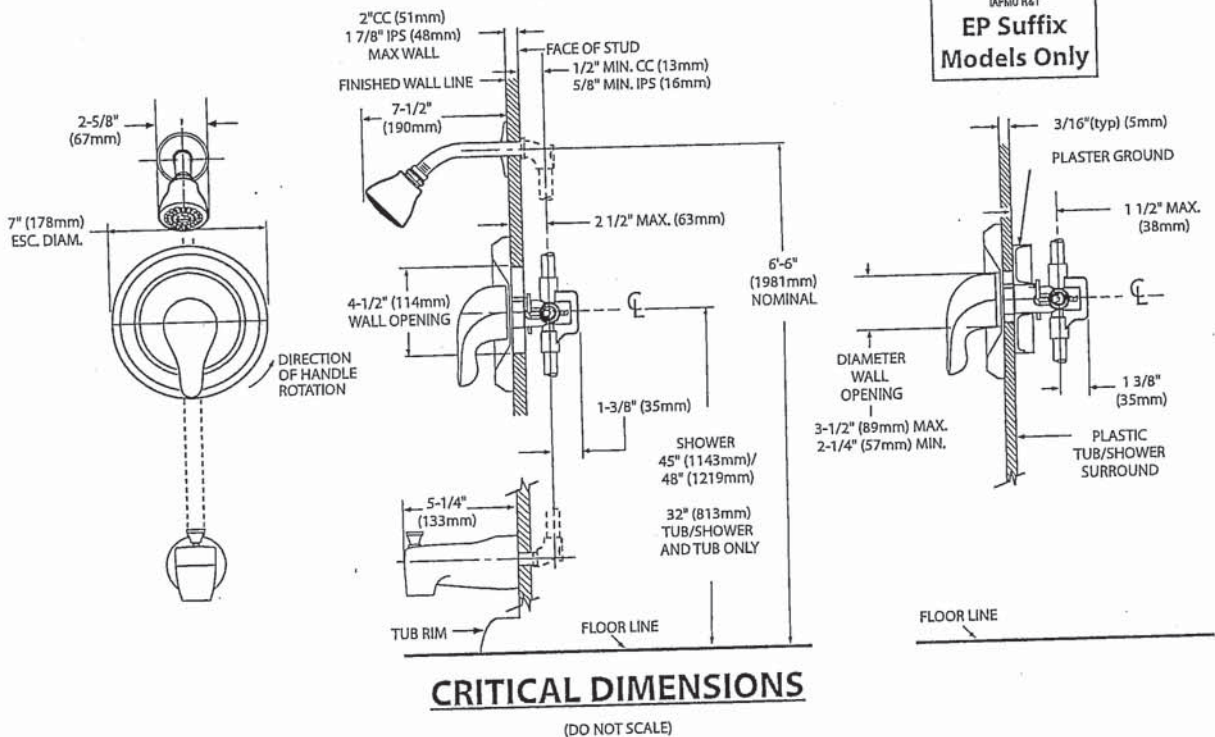
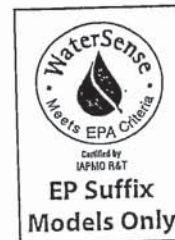
- ADA for lever handle

WARRANTY

- Lifetime limited warranty against leaks, drips and finish defects to the original consumer purchaser
- 5 year warranty if used in commercial installations

- Models:** TL181 series - valve trim only
 (Bulk Packed 12 per carton)
 TL182 series - shower trim only
 (Bulk Packed 12 per carton)
 TL183 series - tub/shower trim
 (Bulk Packed 12 per carton)

- Valves:** 62300 series
 2500 series



H-S



Specifications


DESCRIPTION

- Metal construction with various finishes identified by suffix

OPERATION

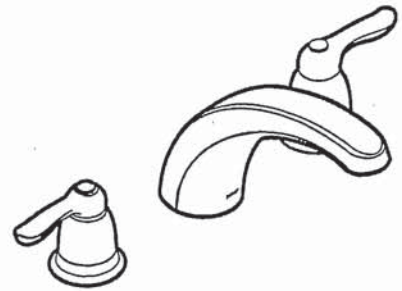
- Lever style handles with hot and cold color indicator
- Rotate hot side handle counterclockwise to open (clockwise to close) and the cold side handle (clockwise to open) and (counterclockwise to close)

STANDARDS

- Third party certified to: ASME A112.18.1/CSA B-125.1, and all applicable requirements referenced therein
- ADA  for lever handles

WARRANTY

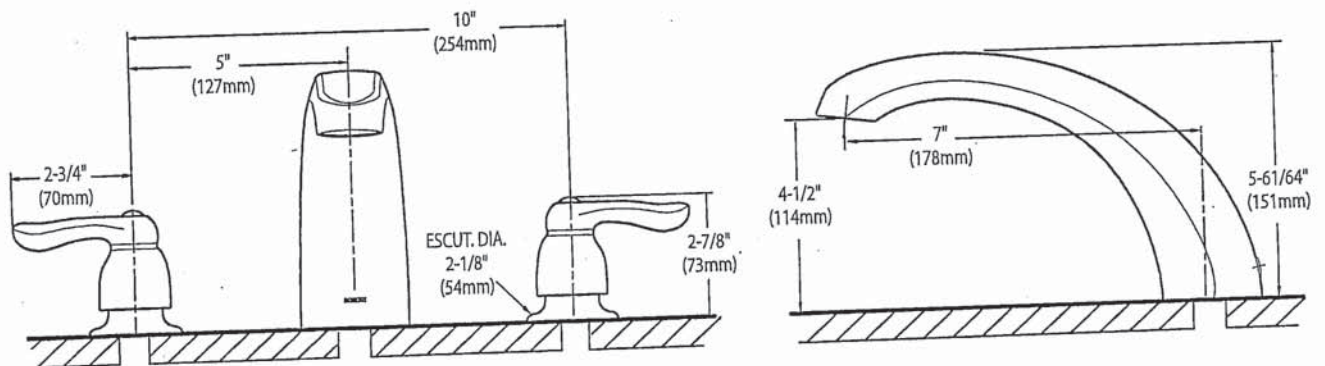
- Lifetime limited warranty against leaks, drips and finish defects to the original homeowner
 - 10 year limited warranty when used in a multi-family installation
 - 5 year limited warranty when used in a commercial installation
- Visit www.moen.com/support for complete details and limitations



CHATEAU®
Two-Handle Garden Tub Trim

Models: T994 series

Valves: 4792, 4793, 4794, 4796, 4797, 4798

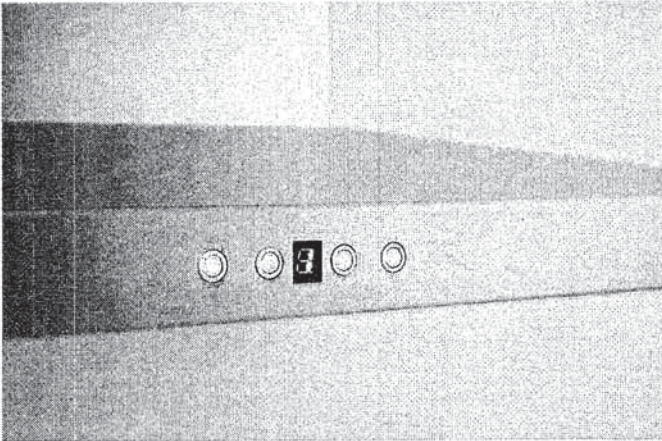
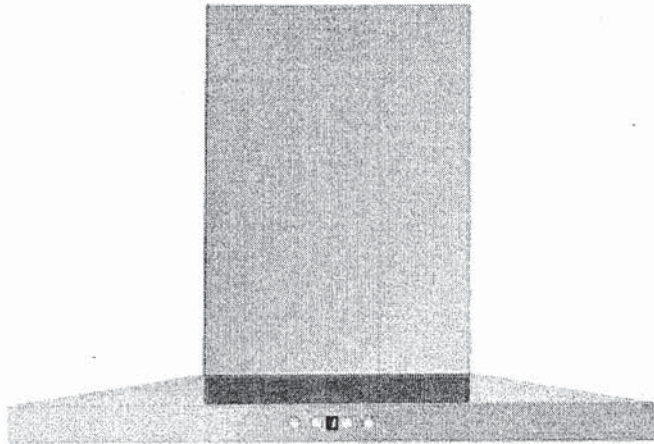


CRITICAL DIMENSIONS (DO NOT SCALE)

FOR MORE INFORMATION CALL: 1-800-BUY-MOEN
www.moen.com



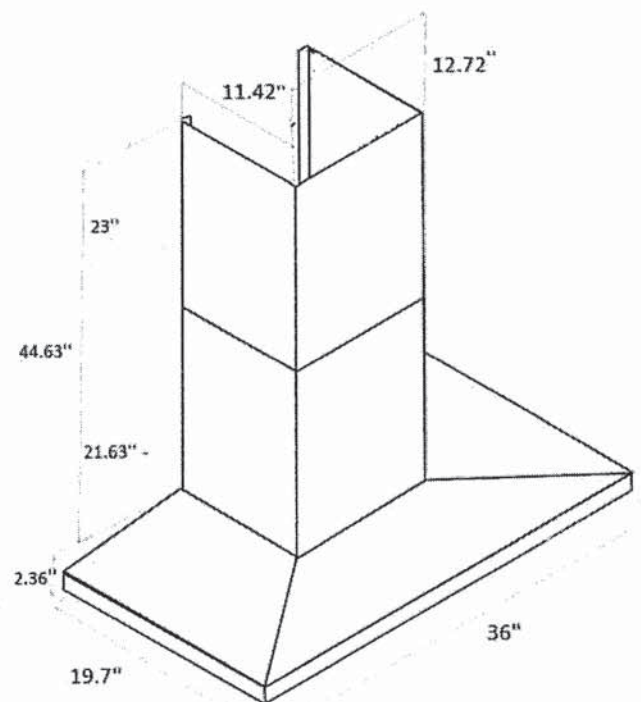
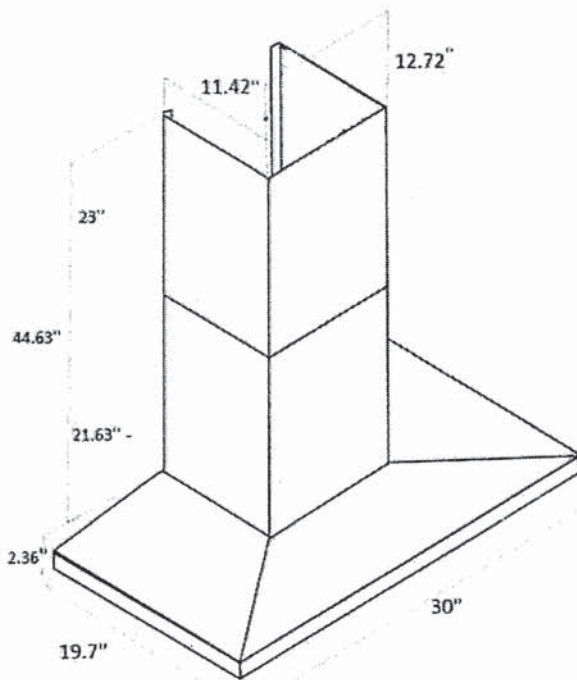
AVH-308CS
 30" Wall mounted hood



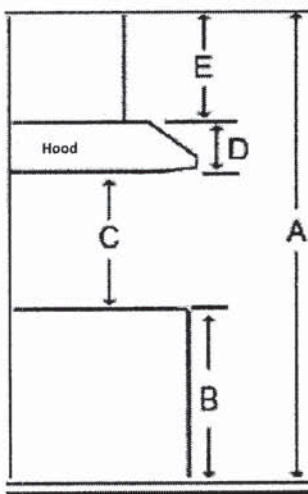
Selected Model	
Model number	AVH-308CS
Dimensions	
Dimensions	29 1/2" (W) x 19 3/4" (D) x 3 1/4" (H)
Exterior Appearance	
Stainless steel grade	201
Features	
Control	Soft touch with LED display
Lighting	2 bulbs, 3W LED (bulbs included)
Blower type	860 CFM, 6-Speed
Blower performance	Speed 1, 2.4 sones Speed 6, 6.2 sones
Filter type	2 aluminium micro hole filters (included) 2 Stainless steel baffle filters (included)
Duct transition	6" Round (Top)
Ducting	Ducted
Chimney (ducted out)	For ceiling heights up to 9'0"
Electrical Requirements	
Electrical requirements	120V / 60Hz / 2.7 Amps
Accessories (optional)	
Optional duct covers	AD-884S (884mm, AVN-AVH compatible)
Warranty	
1-year Warranty	Parts and labour, in-home service

h-s

Dimensions



Installation



A	Floor to ceiling height	variable
B	Floor to counter top height (standard)	36"
C	Recommended height between cooking surface and bottom of the hood	28" to 30"
D	Hood height	2.36"
E	Chimney height	Max 44.63"

Duct transition

6" round top



The information contained herein is based on sources that we believe to be reliable, but is not guaranteed by us, may be incomplete and/or may change without notice.

Need technical support? 1(888) 651-2534

H.S