

Sales Selection Sheet  
Checklist

1 of 41

LOT 3189A-1 Model: 20-2095 END ALT B The Forbes  
PURCHASERS: NIRAJKUMAR, G DAVE/SUBASHINI DAVE  
VENDOR: Heathwood Homes (Huron) Limited

- FINISHED BASEMENT
- COLD CELLAR

UPGRADED / MODIFIED ELEVATION

- CORNER UPGRADE
- REAR UPGRADE

CEILING UPGRADE - SMOOTH

- MAIN FLOOR
- SECOND FLOOR
- BASEMENT

ADDITIONAL ROUGH-INS

- 200 AMP SERVICE
- WET BAR ROUGH-IN
- HUMIDIFIER
- AIR CONDITIONING

GAS ROUGH-IN

- STOVE
- DRYER
- BBQ
- ADDITIONAL FIREPLACE

KITCHEN: HOODFAN VENTING SIZE

- 6 IN ROUND DUCT
- 7 IN ROUND DUCT

FULL BASEMENT STAIRS:	Carpet Grade
UPPER BASEMENT STAIRS:	N/A
LOWER BASEMENT STAIRS:	N/A
MAIN STAIRS:	All Oak
MEDIA STAIRS (if applicable):	N/A
LOFT STAIRS (if applicable):	N/A

APRIL 5/22 Signatures on file APRIL 5/22 SONIA SHARIF  
Date Purchaser: Date Decor Consultant:

**APPROVED**

Date Purchaser: -04- 05 2022 mRosen  
Date Heathwood Homes (Huron) Limited

Locked Date: Approved

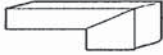
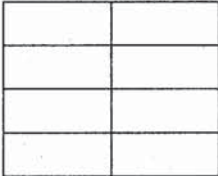
**Customer Colours**

NIRAJKUMAR, G DAVE/SUBASHINI DAVE  
 Project: Wallaceon  
 Unit: 3189A-1, Phase: 3  
 Model: 20-2095 END ALT B The Forbes

Locked:  
 Closed:

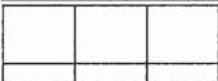


**Kitchen**

Cabinet Colour/Style	9120	VIKING III-GEORGIAN-ORCHID 3DL ***STD***
Countertop	9121	MSI Quartz GROUP 1 ICED WHITE 3/4 inch with double mitre edge ***1***
Countertop Edge	4005	DOUBLE MITRE 1 1/2 INCH ***UPG*** 
Cabinet Hardware	2086	9677-HARDWARE ***STD***
Island Cabinet Colour/Style	9165	Viking II-GEORGIAN-NAVY BLUE-3DL ***STD***
Island Countertop	9121	MSI Quartz GROUP 1 ICED WHITE 3/4 inch with double mitre edge ***1***
Backsplash	9121	QT.CD.ARW.0306.BR-Colour and Dimension Bright-Arctic White-3 x 6 ***STD***
Backsplash Grout	2225	Grout-(27) Silver ***STD***
Backsplash Tile Pattern	3070	HORIZONTAL STACKED ***STD*** 
HoodFan	9393	SCB51930-CYCLONE 30 inch CANOPY CHIMNEY HOODFAN-SS
Appliance	9393	Purchasers have been advised: standard fridge opening is a minimum 37 3/8 x 73 3/8". Ice Waterline Rough-In is included.
Appliance	9393	Standard stove opening is 30" and standard dishwasher opening is 24". Any gas stove will require backsplash or stainless steel backing to avoid fire hazards.
Appliance	9393	Purchasers acknowledge: Heathwood Homes and its contractors will not be responsible for any kitchen cabinet changes due to appliances dimension changes after
Comment		

PG 32-33

**Kitchen/Breakfast**

Flooring	9393	GE.MD.WHT.1818.MT Madison Series White Matte 18
Floor Tile Grout	2225	Grout-(27) Silver ***STD***
Floor Tile Pattern	3000	STANDARD SQUARE ***STD*** 

Customer Colours

NIRAJKUMAR, G DAVE/SUBASHINI DAVE  
Project: Wallaceton  
Unit: 3189A-1, Phase: 3  
Model: 20-2095 END ALT B The Forbes

Created: 18/01/2021 16:53:13

Locked:

Closed:




Comment

**Foyer**

Flooring

3000

GE.MD.WHT.1818.MT Madison Series White Matte 18

Floor Tile Grout

2225

Grout-(27) Silver \*\*\*STD\*\*\*

Floor Tile Pattern

3000

STANDARD SQUARE \*\*\*STD\*\*\*


Comment

**Laundry Room**

Flooring

8262

TR.ST.GRY.1313-Serpentine-Grey-13x13 \*\*\*STD\*\*\*

Floor Tile Grout

2225

Grout-(27) Silver \*\*\*STD\*\*\*

Floor Tile Pattern

3000

STANDARD SQUARE \*\*\*STD\*\*\*


Comment

**Laundry Room Opt.**

Cabinet - Uppers

9111

VIKING III SIMCOE ORCHID 3DL \*\*\*1\*\*\*

Cabinet Hardware

2086

9677-HARDWARE \*\*\*STD\*\*\*

Comment

**Mud Room**

Flooring

2086

GE.MD.WHT.1818.MT Madison Series White Matte 18

Customer Colours

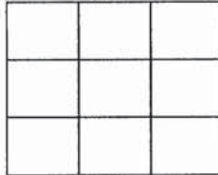
NIRAJKUMAR, G DAVE/SUBASHINI DAVE  
Project: Wallaceton  
Unit: 3189A-1, Phase: 3  
Model: 20-2095 END ALT B The Forbes

Created: 10/2/21 16:51:13  
Locked:  
Closed:



Floor Tile Grout  Grout-(27) Silver \*\*\*STD\*\*\*

Floor Tile Pattern  STANDARD SQUARE \*\*\*STD\*\*\*



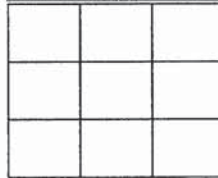
Comment

**Powder Room**

Flooring  GE.MD.WHT.1818.MT Madison Series White Matte 18

Floor Tile Grout  Grout-(27) Silver \*\*\*STD\*\*\*

Floor Tile Pattern  STANDARD SQUARE \*\*\*STD\*\*\*



Plumbing Fixture (Colour)  Plumbing Fixtures-WHITE \*\*\*STD\*\*\*

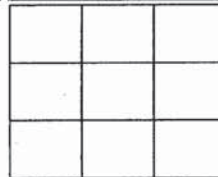
Comment

**Hall**

Flooring  GE.MD.WHT.1818.MT Madison Series White Matte 18

Grout  Grout-(27) Silver \*\*\*STD\*\*\*

Floor Tile Pattern  STANDARD SQUARE \*\*\*STD\*\*\*



Comment

**Great Room**

Flooring  Vintage Red Oak : Solid Sawn Sculpted UVF-OPHELIA-3/4 inch x 5 inch \*\*\*5\*\*\*

Comment

# Customer Colours

NIRAJKUMAR, G DAVE/SUBASHINI DAVE  
Project: Wallaceton  
Unit: 3189A-1, Phase: 3  
Model: 20-2095 END ALT B The Forbes

Locked:  
Closed:



## Upper Hall

Flooring  DY 84558 -Dynasty Tex-BEACH SHELL-40 oz  
Poly\*\*\*STD\*\*\*

Comment

## Finished Basement (Rec) Room/Hall

Flooring  DY 84558 -Dynasty Tex-BEACH SHELL-40 oz  
Poly\*\*\*STD\*\*\*

Comment

## Master Bedroom

Flooring  DY 84558 -Dynasty Tex-BEACH SHELL-40 oz  
Poly\*\*\*STD\*\*\*

Comment

## Bedroom 2

Flooring  DY 84558 -Dynasty Tex-BEACH SHELL-40 oz  
Poly\*\*\*STD\*\*\*

Comment

## Bedroom 3

Flooring  DY 84558 -Dynasty Tex-BEACH SHELL-40 oz  
Poly\*\*\*STD\*\*\*

Comment

## Bedroom 4

Flooring  DY 84558 -Dynasty Tex-BEACH SHELL-40 oz  
Poly\*\*\*STD\*\*\*

Comment



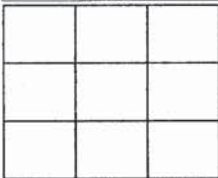
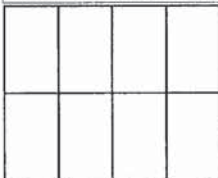
**Customer Colours**

NIRAJKUMAR, G DAVE/SUBASHINI DAVE  
 Project: Wallaceton  
 Unit: 3189A-1, Phase: 3  
 Model: 20-2095 END ALT B The Forbes

Locked:  
 Closed:



**Ensuite 2**

Cabinet Colour/Style	9156	Viking III-SIMCOE-RAIN CLOUD-3DL ***STD***
Countertop	8796	6698-46-Countertop-PALOMA POLAR ETCHINGS FINISH-Formica ***STD***
Countertop Edge	1111	N/A *****
Cabinet Hardware	2086	9677-HARDWARE ***STD***
Floor Tile	2086	GE.BY.AZR.1313 New Byzantine Azzuro 13
Floor Tile Grout	2225	Grout-(27) Silver ***STD***
Floor Tile Pattern	3000	STANDARD SQUARE ***STD*** 
Plumbing Fixture (colour)	1737	Plumbing Fixtures-WHITE ***STD***
Tub Wall Tile	5420	QT.SP.DGR.0810-Splendour-Dark Grey-8 inch x 10 inch ***STD***
Tub Wall Tile Grout	2226	Grout-(00) White ***STD***
Tub Wall Tile Pattern	3090	VERTICAL STACKED ***STD*** 
Comment		

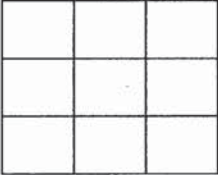
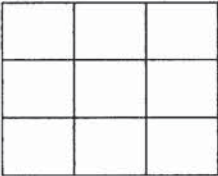
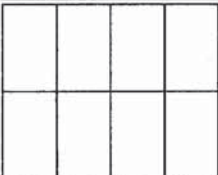
**Master Ensuite**

Cabinet Colour/Style	9157	Viking III-SIMCOE-MOONLIGHT-3DL ***STD***
Countertop	8796	6698-46-Countertop-PALOMA POLAR ETCHINGS FINISH-Formica ***STD***
Countertop Edge	1111	N/A *****
Cabinet Hardware	2086	9677-HARDWARE ***STD***

**Customer Colours**

NIRAJKUMAR, G DAVE/SUBASHINI DAVE  
 Project: Wallaceton  
 Unit: 3189A-1, Phase: 3  
 Model: 20-2095 END ALT B The Forbes

Locked:  
 Closed:

Floor Tile	2086	GE.BY.AZR.1313 New Byzantine Azzuro 13
Floor Tile Grout	2225	Grout-(27) Silver ***STD***
Floor Tile Pattern	3000	STANDARD SQUARE ***STD*** 
Shower Floor Tile	8661	OD.ON.SWT.0202.MT.N-Ontario Series Mosaic-Snow White Matte-2 x 2 ***STD***
Shower Floor Tile Grout	2226	Grout-(00) White ***STD***
Shower Floor Tile Pattern	3000	STANDARD SQUARE ***STD*** 
Shower Wall Tile	5411	QT.SP.WHT.0810-Splendour-White-8 inch x 10 inch ***STD***
Shower Wall Tile Grout	2226	Grout-(00) White ***STD***
Shower Wall Tile Pattern	3090	VERTICAL STACKED ***STD*** 
Shower Jamb(s) and Sill(s)	8923	Shower Jamb / Sill-Thassos White ***STD***
Plumbing Fixture (colour)	1737	Plumbing Fixtures-WHITE ***STD***
Comment		

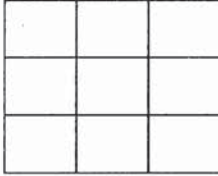
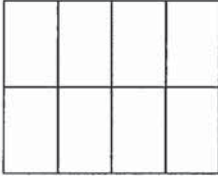
**Main Bathroom**

Cabinet Colour/Style	9111	VIKING III SIMCOE ORCHID 3DL ***STD***
Countertop	8826	4926K-07-Countertop-BLACK ALICANTE-Wilsonart ***STD***
Countertop Edge	1111	N/A *****
Cabinet Hardware	2086	9677-HARDWARE ***STD***
Flooring	8262	TR.ST.GRY.1313-Serpentine-Grey-13x13 ***STD***

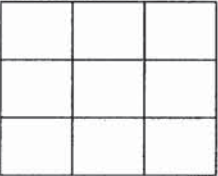
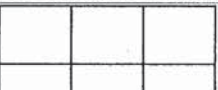
**Customer Colours**

NIRAJKUMAR, G DAVE/SUBASHINI DAVE  
 Project: Wallaceston  
 Unit: 3189A-1, Phase: 3  
 Model: 20-2095 END ALT B The Forbes

Locked:  
 Closed:

Floor Tile Grout	7704	Grout-(19) Pearl Gray ***STD***
Floor Tile Pattern	3000	STANDARD SQUARE ***STD*** 
Wall Tile	8833	QT.UW.WHT.0810-Uniwall-White-8 x 10 ***STD***
Wall Tile Grout	2226	Grout-(00) White ***STD***
Main Bathroom Tile Pattern	3090	VERTICAL STACKED ***STD*** 
Plumbing Fixture (Colour)	1737	Plumbing Fixtures-WHITE ***STD***
Comment		

**Finished Basement Bathroom**

Cabinet Colour/Style	9111	VIKING III SIMCOE ORCHID 3DL ***STD***
Countertop	8826	4926K-07-Countertop-BLACK ALICANTE-Wilsonart ***STD***
Countertop Edge	1111	N/A *****
Cabinet Hardware	2086	9677-HARDWARE ***STD***
Flooring	8262	TR.ST.GRY.1313-Serpentine-Grey-13x13 ***STD***
Floor Tile Grout	7704	Grout-(19) Pearl Gray ***STD***
Floor Tile Pattern	3000	STANDARD SQUARE ***STD*** 
Shower Floor Tile	8661	OD.ON.SWT.0202.MT.N-Ontario Series Mosaic-Snow White Matte-2 x 2 ***STD***
Shower Floor Tile Grout	2226	Grout-(00) White ***STD***
Shower Floor Tile Pattern	3000	STANDARD SQUARE ***STD*** 



**Customer Colours**

NIRAJKUMAR, G DAVE/SUBASHINI DAVE  
 Project: Wallaceton  
 Unit: 3189A-1, Phase: 3  
 Model: 20-2095 END ALT B The Forbes

Locked:  
 Closed:



--	--	--

Shower Wall Tile                      8833      QT.UW.WHT.0810-Uniwall-White-8 x 10 \*\*\*STD\*\*\*

Shower Wall Tile Grout              2226      Grout-(00) White \*\*\*STD\*\*\*

Shower Wall Tile Pattern            3090      VERTICAL STACKED \*\*\*STD\*\*\*


Shower Jamb(s)                      8923      Shower Jamb / Sill-Thassos White \*\*\*STD\*\*\*

Plumbing Fixture (Colour)          1737      Plumbing Fixtures-WHITE \*\*\*STD\*\*\*

Comment

**Great Room Fireplace**

Type                                      8865      Dimplex-Electric Fireplace-PF3033HL \*\*\*STD\*\*\*

Mantle                                    8891      NF-17-Paint Grade Mantle- Cabinet (Per Plan)-WHITE \*\*\*STD\*\*\*

PG 21

Surround Opt.                         1111      N/A \*\*\*\*\*

Disclaimer                               1111      Purchasers have been advised: heat from the FP can damage TV above a FP and items placed on mantle.

Disclaimer                               1111      Heathwood and its contractors will not be liable for any damage on items placed/installed above a FP after closing.

Comment

**Basement Stairs**

Type                                      1714      Carpet Grade Stairs \*\*\*STD BASEMENT STAIRS\*\*\*

Colour                                    1111      N/A \*\*\*\*\*

Carpet Runner                         1111      N/A \*\*\*\*\*

Handrail/Pickets/Post Type         9119      Handrail only on closed walls (one or two sides per building code) \*\*\*STD\*\*\*

Handrail/Pickets/Post Colours      1729      Carpet Grade-Stain handrail, pickets, stringers, nosing\_pos

Carpet                                    9246      DY 84558 -Dynasty Tex-BEACH SHELL-40 oz Poly\*\*\*STD\*\*\*



Customer Colours

NIRAJKUMAR, G DAVE/SUBASHINI DAVE  
Project: Wallaceon  
Unit: 3189A-1, Phase: 3  
Model: 20-2095 END ALT B The Forbes

Locked:  
Closed:



Custom Stain/Paint      1111      N/A \*\*\*\*\*

Comment

**Basement Stairs Landings (Upper and Lower)**

Flooring      1111      N/A \*\*\*\*\*

Comment

**Main Stairs**

Type      1712      Oak Stairs \*\*\*STD MAIN STAIRS\*\*\*

Colour      7940      Sambucca STAIN TO COMPLIMENT HARDWOOD AND WILL VARY FROM FLOORING \*\*\*99\*\*\*

Carpet Runner      1111      N/A \*\*\*\*\*

Handrail/Pickets/Posts Type      7652      1 5/16 inch Square pickets with 3 1/2" Square/Cap Post(s)-ALL OAK \*\*\*STD\*\*\*

Handrail/Pickets/Posts Colour      1728      Oak Grade-Stain handrail,oak pickets,stringers,treads,risers

Custom Stain/Paint      1111      N/A \*\*\*\*\*

Comment

**Main Stairs Landing(s) (Lower)**

Flooring      1111      N/A \*\*\*\*\*

Comment

**Throughout**

Walls - Paint Colour      1717      22-Wall-WARM GREY \*\*\*STD\*\*\*

Underpad      1079      500 Series-Underpad \*\*\*STD\*\*\*

Thresholds      2232      Metal Thresholds \*\*\*STD\*\*\*



Customer Colours

11 of 41 <sup>329</sup>

NIRAJKUMAR, G DAVE/SUBASHINI DAVE  
Project: Wallaceton  
Unit: 3189A-1, Phase: 3  
Model: 20-2095 END ALT B The Forbes

Created: 10/27/2021 16:58:13  
Locked:  
Closed:

Switches and Plug	5796	Decora White Switches and Plugs ***STD***
Trim Size	8705	4 ¼ Baseboard and 2 ¾ Casings ***STD***
Trim - Paint Colour	1716	Trim-WHITE ***STD***
Comment		

Purchaser:  26<sup>th</sup> Jan, 2022  Jan 26/22.  
 NIRAJKUMAR, G DAVE Date Decor Consultant Date

Purchaser:  26/Jan/2022  -04- 05 2022  
 SUBASHINI DAVE Date Wallaceton Date Approved

**APPROVED**  
-04- 05 2022





## CONSTRUCTION SUMMARY

**Lot: 3189A-1**  
**Model: 20-2095 END ALT B The Forbes**  
**Project/Phase: Wallaceton / 3**

Offer Worksheet	Five Appliances: SS Fridge, Stove, Dishwasher: White Front Loader Washer/Dryer - Townhomes Note:
-----------------	---

Offer Worksheet	The Purchaser(s) acknowledge that they have NOT been referred by an existing Heathwood Homeowner and therefor are not entitled to a referral fee under Heathwood Homes Referral program. Note:
-----------------	---



## CONSTRUCTION SUMMARY

**Lot: 3189A-1**  
**Model: 20-2095 END ALT B The Forbes**  
**Project/Phase: Wallaceton / 3**

### APPLIANCES

Invoice	Qty.	Description
878 313,484 08Mar23	1	- APPLIANCES - CYCLONE 30 INCH WALL MOUNT CHIMNEY HOOD SS - SCB51930  <b>CABINETRY-delete stove uppers; ELECTRICAL-delete std range hood; HEATING/AIR CONDITIONING-Duct change to 6 in</b>

### CABINETRY

Invoice	Qty.	Description
878 306,967 08Mar23	1	KITCHEN - CABINETRY - OPT LIGHT VALANCE (TRIM ONLY) - KITCHEN (ALL DOOR STYLES) - UPG
878 306,992 08Mar23	1	LAUNDRY ROOM - CABINETRY - VIKING IV - OPT. LAUNDRY ROOM UPPERS - UPG  SKETCH # 3 AND 4
878 313,484 08Mar23 **	1	- APPLIANCES - CYCLONE 30 INCH WALL MOUNT CHIMNEY HOOD SS - SCB51930  <b>CABINETRY-delete stove uppers; ELECTRICAL-delete std range hood; HEATING/AIR CONDITIONING-Duct change to 6 in</b>
878 334,744 08Mar23	1	KITCHEN - CABINETRY - VIKING I/II/III KITCHEN BUILT IN - KITCHEN - UPG  SKETCH # 3 <b>DRYWAL-Notify; FRAMING-Modify Bulkhead; GRANITE-delete partial countertop due to Built-in; PAINTING-</b>
878 313,768 08Mar23	1	KITCHEN - 11A-Upper angle corner per unit Viking  SKETCH # 3 <b>DRYWAL-Notify; FRAMING-Modify Bulkhead; PAINTING-Notify</b>
878 314,124 08Mar23	1	KITCHEN - 40J-Two-tone colour/style selection for island (must be of equal or lower level to main selection) Viking  SKETCH # 3



## CONSTRUCTION SUMMARY

**Lot: 3189A-1**  
**Model: 20-2095 END ALT B The Forbes**  
**Project/Phase: Wallaceton / 3**

### CERAMICS

Invoice	Qty.	Description
878 309,352 08Mar23	1	Kitchen - CERAMICS - BACKSPLASH - KITCHEN - UPGRADE 1
878 314,178 08Mar23	1	- CERAMICS - ADDITIONAL BACKSPLASH DUE TO INSTALL CHIMENEY HOODFAN IN KITCHEN - KITCHEN - UPGRADE 1
878 309,398 08Mar23	1	Kitchen / Breakfast - CERAMICS - FLOOR - KITCHEN / BREAKFAST - UPGRADE 1
878 309,433 08Mar23	1	Powder Room - CERAMICS - FLOOR - POWDER ROOM - UPGRADE 1
878 309,426 08Mar23	1	Mud Room - CERAMICS - FLOOR - MUD ROOM - UPGRADE 1
878 309,419 08Mar23	1	Main Hall - CERAMICS - FLOOR - MAIN HALL - UPGRADE 1
878 309,381 08Mar23	1	Foyer - CERAMICS - FLOOR - FOYER - UPGRADE 1

### DRYWALL

Invoice	Qty.	Description
878 334,744 08Mar23 **	1	KITCHEN - CABINETRY - VIKING I/II/III KITCHEN BUILT IN - KITCHEN - UPG SKETCH # 3 <b>DRYWAL-Notify; FRAMING-Modify Bulkhead; GRANITE-delete partial countertop due to Built-in; PAINTING-</b>
878 313,768 08Mar23 **	1	KITCHEN - 11A-Upper angle corner per unit Viking SKETCH # 3 <b>DRYWAL-Notify; FRAMING-Modify Bulkhead; PAINTING-Notify</b>
878 310,716 08Mar23	1	- DRYWALL - SMOOTH CEILING IN MAIN FLOOR <b>PAINTING-Notify</b>



## CONSTRUCTION SUMMARY

**Lot: 3189A-1**  
**Model: 20-2095 END ALT B The Forbes**  
**Project/Phase: Wallaceton / 3**

### ELECTRICAL

Invoice	Qty.	Description
878 313,484 08Mar23 **	1	- APPLIANCES - CYCLONE 30 INCH WALL MOUNT CHIMNEY HOOD SS - SCB51930  <b>CABINETRY-delete stove uppers; ELECTRICAL-delete std range hood; HEATING/AIR CONDITIONING-Duct change to 6 in</b>
878 314,224 08Mar23	3	- ELECTRICAL - CEILING ROUGH-IN (CAPPED)  1) 1 X GREAT ROOM ON EXISTING SWITCH 2) 1X GREAT ROOM ON SEPARATE SWITCH 3) 1X TO BE CENTERED ABOVE BREAKFAST COUNTER SKETCH # 2
878 314,232 08Mar23	1	GREAT ROOM - ELECTRICAL - EXTRA WALL INTERIOR OUTLET ON EXISTING CIRCUIT (DOES NOT INCLUDE KITCHEN OUTLETS)  +/- TO BE CENTERED ABOVE FIREPLACE, +/- 70" FROM FLOOR SKETCH # 2
878 314,223 08Mar23	2	- ELECTRICAL - ADDITIONAL SWITCH  1) FOR FUTRE CAPPED LIGHT IN GREAT ROOM 2) FOR FUTURE CAPPED LIGHT ABOVE BREAKFAST COUNTER SKETCH # 2
878 314,242 08Mar23	1	KITCHEN - ELECTRICAL - RELOCATION OF SWITCHES/LIGHTS (MUST SPECIFY LOCATION) - NOTE: PLUGS CANNOT BE RELOCATED- MUST PURCHASE ADDITIONAL OUTLET.  RELOCATE OUTLET PLUG FOR STOVE TO WALL OVEN UNIT FOR FUTURE BUILT/IN SKETCH # 3

### FRAMING

Invoice	Qty.	Description
878 334,744 08Mar23 **	1	KITCHEN - CABINETRY - VIKING I/II/III KITCHEN BUILT IN - KITCHEN - UPG  SKETCH # 3 <b>DRYWAL-Notify; FRAMING-Modify Bulkhead; GRANITE-delete partial countertop due to Built-in; PAINTING-</b>
878 313,768 08Mar23 **	1	KITCHEN - 11A-Upper angle corner per unit Viking  SKETCH # 3 <b>DRYWAL-Notify; FRAMING-Modify Bulkhead; PAINTING-Notify</b>

### GRANITE

Invoice	Qty.	Description
878 334,744 08Mar23 **	1	KITCHEN - CABINETRY - VIKING I/II/III KITCHEN BUILT IN - KITCHEN - UPG  SKETCH # 3 <b>DRYWAL-Notify; FRAMING-Modify Bulkhead; GRANITE-delete partial countertop due to Built-in; PAINTING-</b>
878 311,096 08Mar23	1	Kitchen / Island - GRANITE - COUNTERTOP - 3/4 INCH GROUP 1 WITH MITRE EDGE - KITCHEN / ISLAND - UPG
878 314,277 08Mar23	1	- GRANITE - GRANITE CUTOUT WITH STRAIGHT EDGE POLISH TO ACCOMMODATE BUILT IN LAYOUT COOK TOP



## CONSTRUCTION SUMMARY

**Lot: 3189A-1**  
**Model: 20-2095 END ALT B The Forbes**  
**Project/Phase: Wallaceton / 3**

### HARDWOOD

Invoice	Qty.	Description
878 311,886 08Mar23	1	GREAT ROOM - HARDWOOD - VINTAGE - 5 INCH RED OAK UVF OIL - GREAT ROOM - UPG

### HEATING / AIR CONDITIONING

Invoice	Qty.	Description
1327 314,338 08Mar23	1	- HEATING/AIR - ROUGH-IN GAS LINE FOR GAS STOVE AT 2ND FLOOR (HOOK-UP NOT INCLUDED); ELECTRICAL OUTLET PRICED SEPARATELY; RELOCATE STANDARD 220V TO BUILT-IN
878 313,484 08Mar23 **	1	- APPLIANCES - CYCLONE 30 INCH WALL MOUNT CHIMNEY HOOD SS - SCB51930  <b>CABINetry-delete stove uppers; ELECTRICAL-delete std range hood; HEATING/AIR CONDITIONING-Duct change to 6 in</b>

### PAINTING

Invoice	Qty.	Description
878 334,744 08Mar23 **	1	KITCHEN - CABINetry - VIKING I/II/III KITCHEN BUILT IN - KITCHEN - UPG  SKETCH # 3 <b>DRYWAL-Notify; FRAMING-Modify Bulkhead; GRANITE-delete partial countertop due to Built-in; PAINTING-</b>
878 313,768 08Mar23 **	1	KITCHEN - 11A-Upper angle corner per unit Viking  SKETCH # 3 <b>DRYWAL-Notify; FRAMING-Modify Bulkhead; PAINTING-Notify</b>
878 310,716 08Mar23 **	1	- DRYWALL - SMOOTH CEILING IN MAIN FLOOR  <b>PAINTING-Notify</b>



## THE FORBES

ELEVATION B | 2,720 SQ. FT.

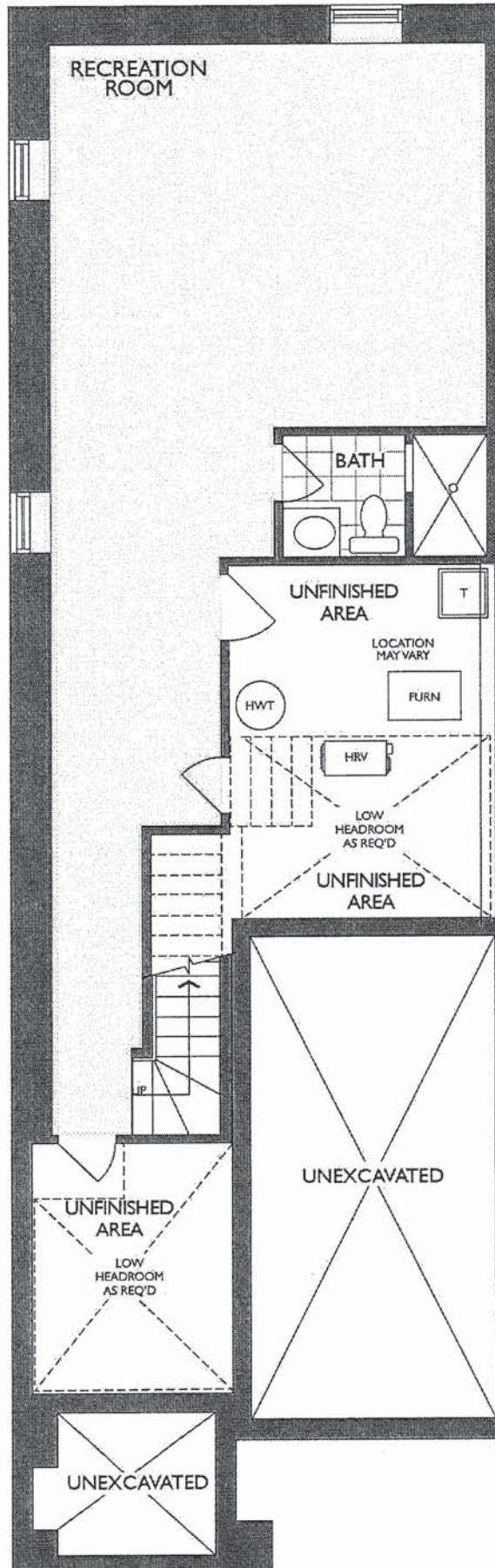
Includes 638 sq. ft. of Finished Lower Level

### WALLACETON

EST. 1870

Sketch #1

## 20-2095 END ALT ELEV. B



LOWER LEVEL  
ELEVATION A & B

SD  
AD

## THE FORBES

ELEVATION B | 2,720 SQ. FT.

Includes 638 sq. ft. of Finished Lower Level

### WALLACETON

EST. 1870

Sketch #2

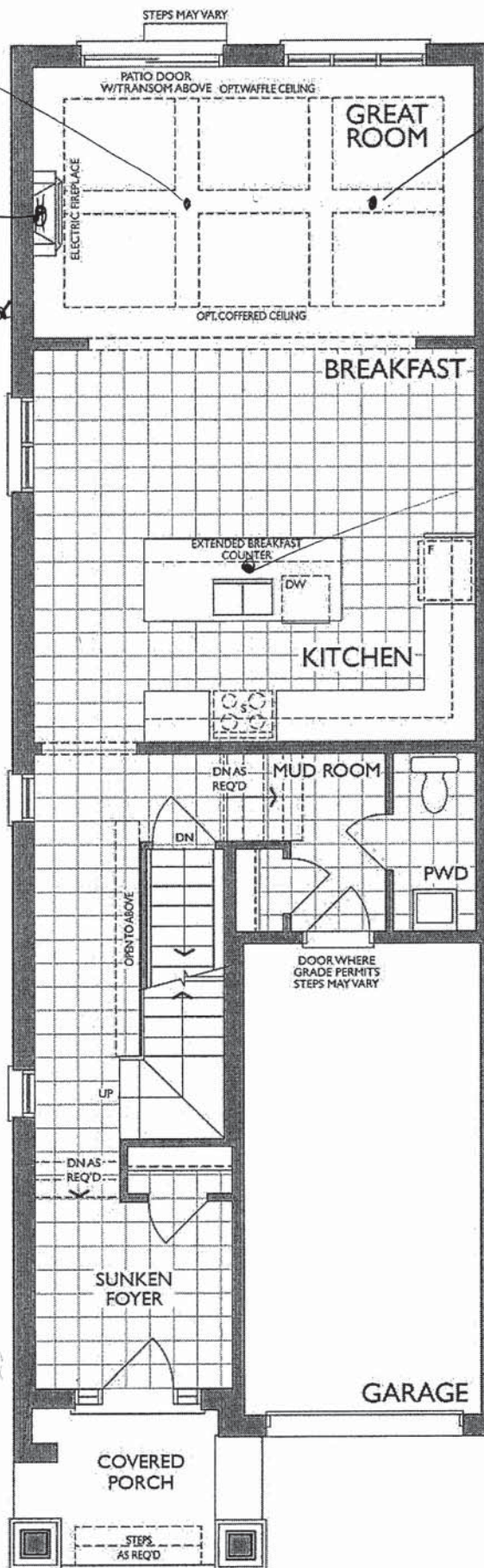
## 20-2095 END ALT ELEV. B

CAPPED LIGHT  
ON SEPARATE SWITCH.

PLUS OUTLET  
+/- CENTERED ABOVE  
FIREPLACE, +/- 70" FROM FLOOR

CAPPED LIGHT DN  
EXISTING.

CAPPED LIGHT ON  
SEPARATE SWITCH.



SB  
AB

MAIN FLOOR  
ELEVATION B

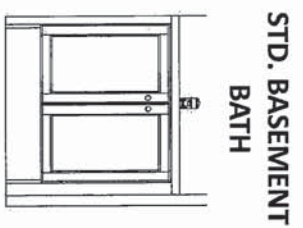
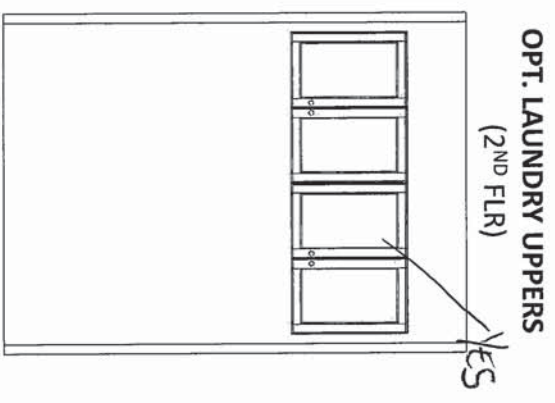
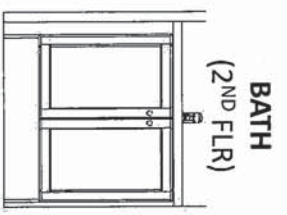
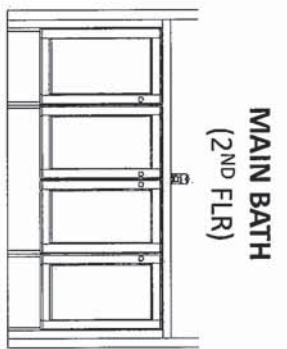
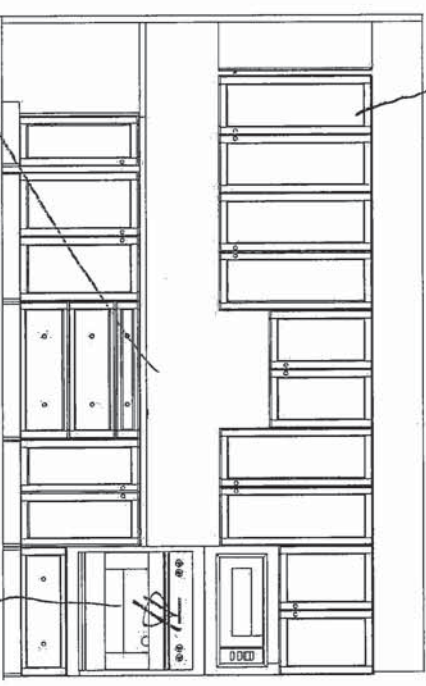
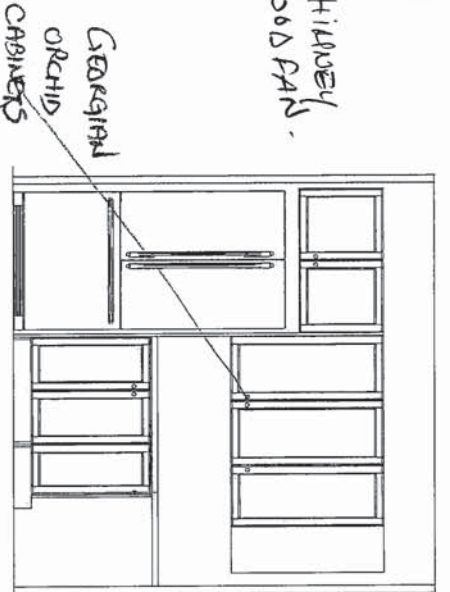
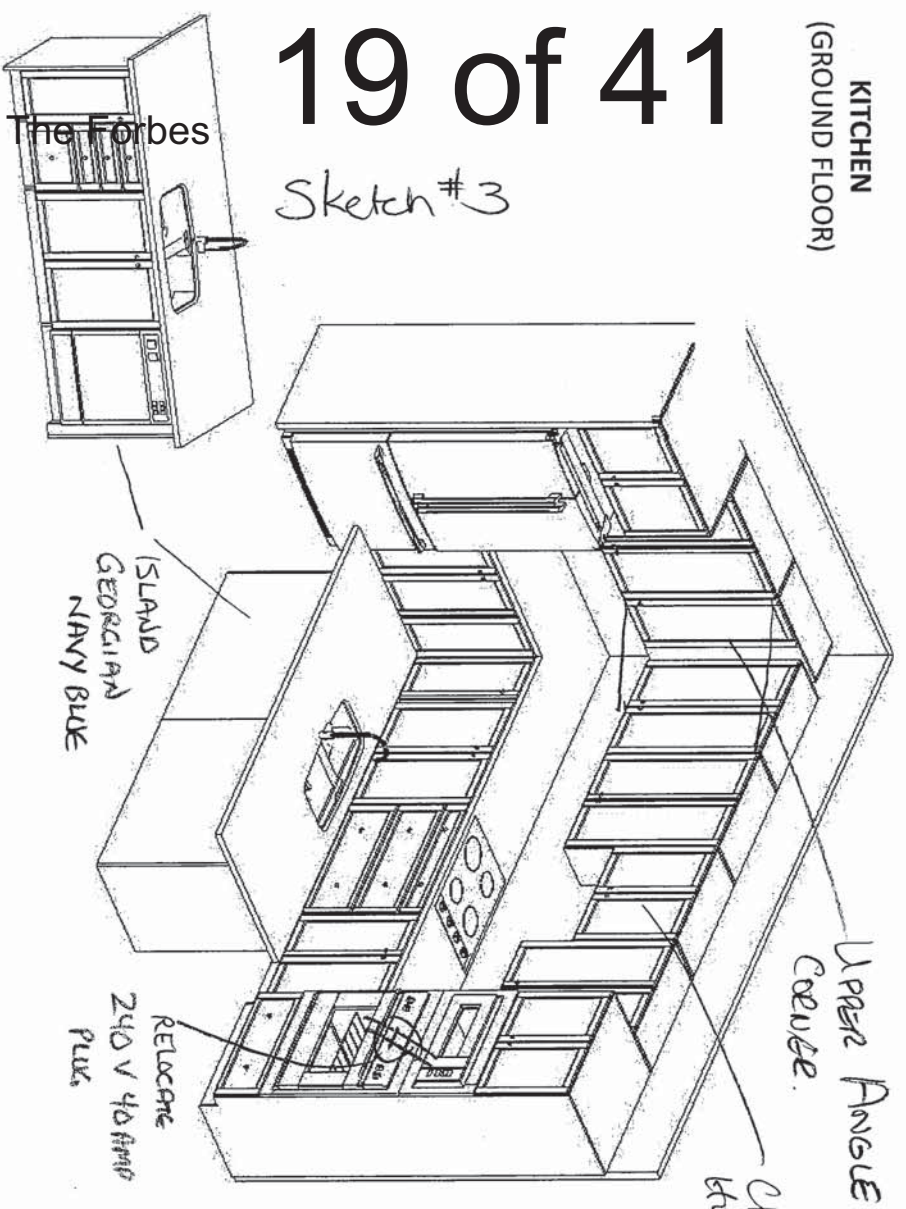
Project: Wallaceton  
Unit: 3189A-1, Phase: 3  
Model: 20-2095 END A/B The Forbes

2/12/2021

2/12

Sketch #3

**(2005-END) ALTERNATE 2ND FLOOR**



**FRENDEL**  
KITCHENS LIMITED  
1350 Shawson Drive, Mississauga, ON L4W 1C5

**HEATHWOOD HOMES**  
WALLACETON, KITCHENER ON  
MODEL: 20-2095 (ALT 2005 END)

**STANDARD CONTRACT INCLUDES:**

- Appliance Openings**
- Hood: 30"W builder hood
  - Fridge Opening: 37 3/8 "W X 73 3/8"
  - Fridge cabinet & gables: 66cm Deep
  - **Cooktop: 30"W - Tall Wall Oven: 30"W**
  - Dishwasher Opening: 24"

- Standard Kitchens Scope:**
- 100cm H wall cabinets
  - Std. Blumotion Hinges- **soft close doors**
  - Std. Metabox Drawers- **not soft close**
  - Min 40cm W drawer
  - Base pie cut corner cabinets
  - Backing on all cabinets
  - Countertop by others
  - Upgrade applied paneled fridge & dishwashers supply only (appliance hardware by others)

- Standard Vanity & Laundry Scope:**
- Powder by others, pedestal
  - All vanities include laminate counter
  - Std. Blumotion Hinges- **not soft close**
  - Tandem Box Drawers- **soft close**
  - Master Ensuite: Top drawers (Full height doors at sink)
  - Mains: Full height doors (top drawers added if Masters can't accommodate)
  - Optional laundry base & wall cabinets

THIS DRAWING IS FOR DESIGN PURPOSES ONLY.  
IT IS NOT AN EXACT RENDITION.

## THE FORBES

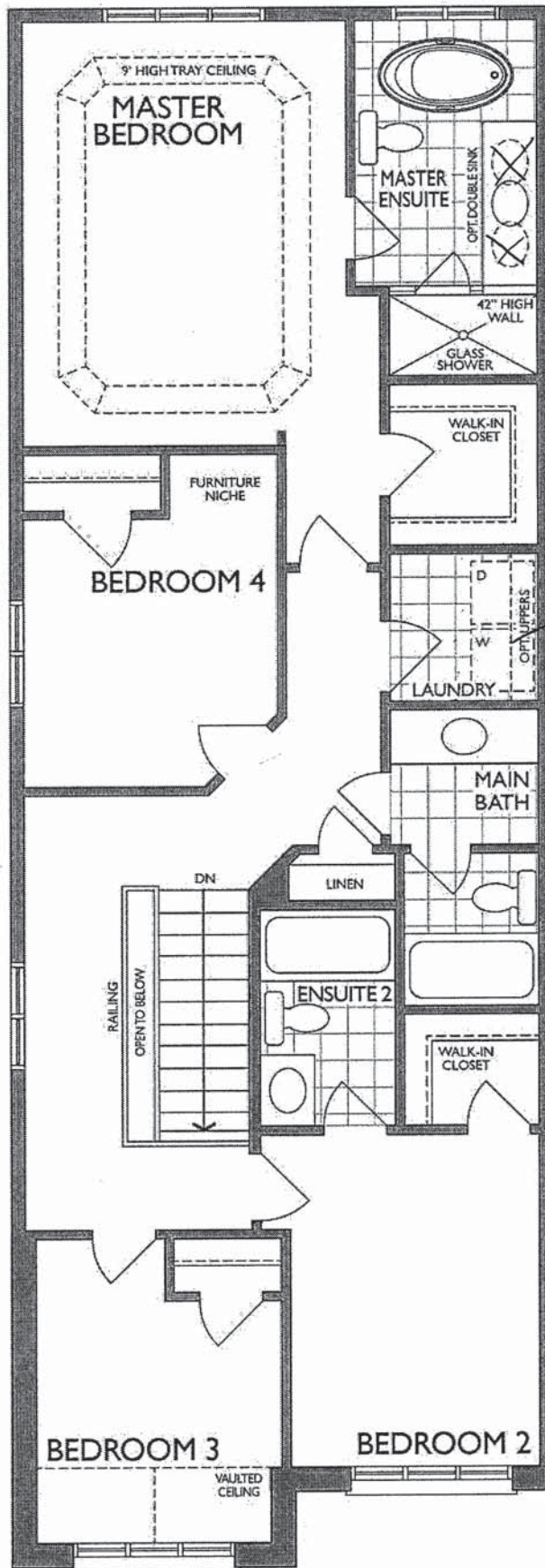
Sketch # 4

ELEVATION B | 2,720 SQ. FT.

Includes 638 sq. ft. of Finished Lower Level

### 20-2095 END ALT ELEV. B

WALLACETON  
EST. 1870



ALT. SECOND FLOOR  
ELEVATION B

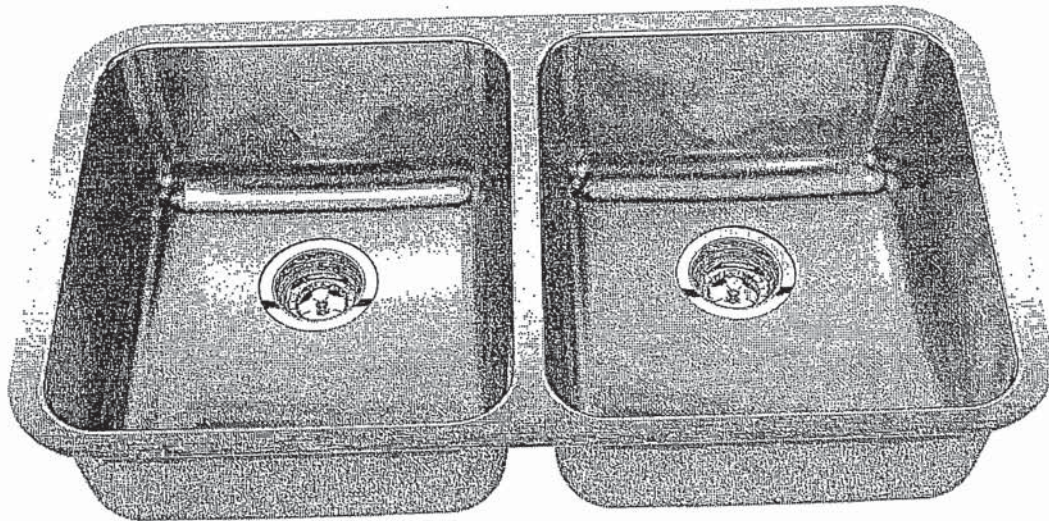


NEAS NF17 Mantel - Cabinet

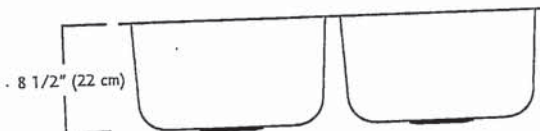
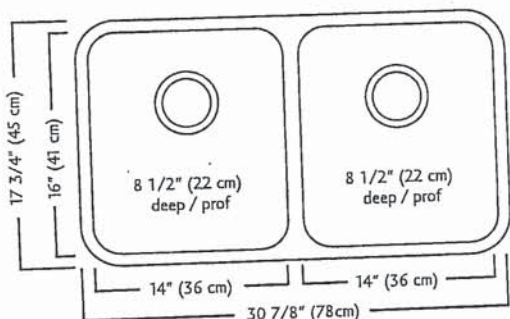
SD  
de

*Reginox*

ND1831UA/9



Optional Accessories



## ND1831UA/9 SPECIFICATION

Model ND1831UA/9 is a double (two equal size) bowl undermount sink manufactured by Franke Kindred Canada Limited from 18 gauge stainless steel. Product has silk finished rims and linear brush finished bowls. Sink is fully undercoated. Basket strainer waste fittings (3 1/2", 89 mm) are included. Sink is backed with a limited lifetime warranty.

- O.D. 17 3/4" x 30 7/8" x 8 1/2" (45 x 78 x 22 cm)
- Recommended for minimum 36" cabinet

Franke Kindred Canada Limited  
 P.O. Box 190, 1000 Franke Kindred Road, Midland, Ontario, Canada, L4R 4K9 Phone: 866-687-7465 Fax: 800-361-8408

*Handwritten initials/signature*



There is more than 1 version of this model.  
 Page down to identify the version you have.

## Specifications

### FAUCET DESCRIPTION

- Reflex™ pulldown system offers smooth operation, easy movement and secure docking
- Power Clean™ spray technology
- Metal construction with various finishes identified by suffix
- Duralock™ connect installation
- Pulldown spray with 68" braided hose
- Flexible supply lines with 3/8" compression fittings
- High arc spout provides height and reach to fill or clean large pots while pulldown wand provides the maneuverability for cleaning or rinsing
- 360° rotating spout
- Faucet designed for handle to be mounted on right side only

### OPERATION

- Lever style handle
- Temperature controlled by 100° arc of handle travel
- Operates with less than 5 lbs. of force
- Operates in stream or spray mode in the pullout or retracted position

### FLOW

- Flow is limited to 1.5 gpm (5.7 L/min) max at 60 psi

### CARTRIDGE

- 1255™ Duralast™ cartridge

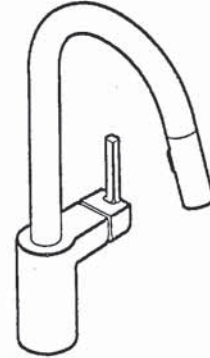
### STANDARDS

- Third party certified to IAPMO Green, ASME A112.18.1/CSA B125.1 and all applicable requirements therein including NSF 61/9G & 372
- Meets CalGreen and Georgia SB370 requirements
- Complies with California Proposition 65 and with the Federal Safe Drinking Water Act
- The backflow protection system in the device consists of two independently operating check valves, a primary and a secondary which prevent backflow

- ADA for lever handle

### WARRANTY

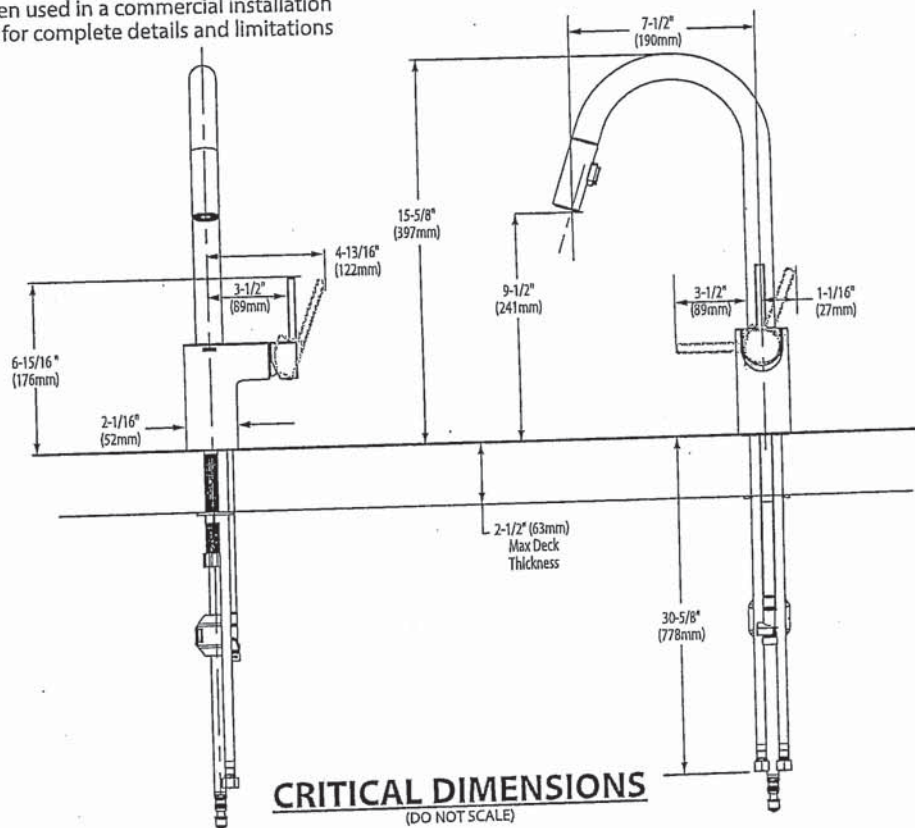
- Lifetime limited warranty against leaks, drips and finish defects to the original homeowner
  - 10 year limited warranty when used in a multifamily installation
  - 5 year limited warranty when used in a commercial installation
- Visit [www.moen.com/support](http://www.moen.com/support) for complete details and limitations



**ALIGN™**  
 Single Handle High Arc  
 Pulldown Kitchen Faucet

Models: 7565 series

**NOTE:** THIS FAUCET IS DESIGNED TO BE INSTALLED THROUGH 1 HOLE, 1-1/2" (38mm) MIN. DIA. (OPTIONAL 3-HOLE ESCUTCHEON 141002 AVAILABLE)



SP  
 AD

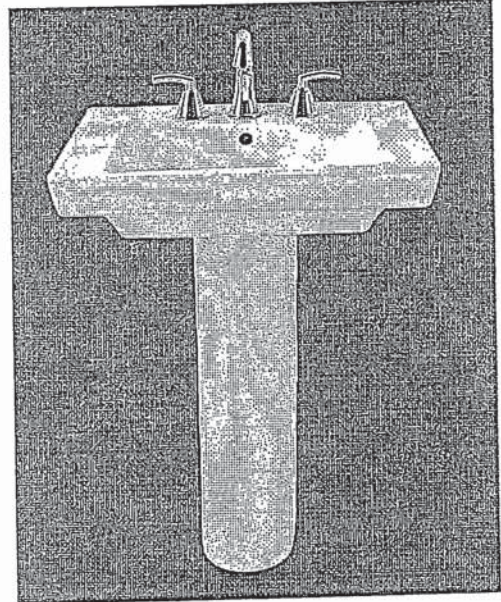


BARRIER FREE (ABOVE COUNTER OR DROP-IN ONLY)

**BOULEVARD®**  
**PEDESTAL SINK**  
VITREOUS CHINA

### BOULEVARD® PEDESTAL SINK

- 0641.800 Faucet holes on 8" (203mm) centers (Illustrated)
- 0641.400 Faucet holes on 4" (102mm) centers
- 0641.100 Center hole only
  - Classic styled rectangular pedestal lavatory
  - Vitreous china
  - Rear overflow
  - Supplied with mounting kit
  - Right Height® for greater comfort during use
  - Faucet ledge with large deck area (faucet not included)
  - **Design coordinates with Boulevard® Toilet**
  - Basin has flat bottom to also allow use as an **above counter sink** or a **drop-in sink** (with u-shaped cut out)



#### Nominal Dimensions:

24" x 19" x 35-1/2"  
(610 x 483 x 902mm)

- 0641.008 Pedestal top-8" (203mm) centers
- 0641.004 Pedestal top-4" (102mm) centers
- 0641.001 Pedestal top-center hole only
- 0010.000 Pedestal only

SEE REVERSE FOR ROUGHING-IN DIMENSIONS

#### Bowl sizes:

17" (432mm) wide,  
12-1/2" (318mm) front to back,  
5" (127mm) deep

#### Compliance Certifications -

Meets or Exceeds the Following Specifications:

- ASME A112.19.2 - 2008/CSA B45.1-08

#### To Be Specified:

- Color:  White  Linen
- Faucet Finish:
- Supplies:
- 1-1/4" Trap:
- Nipple:

\* See faucet section for additional models available

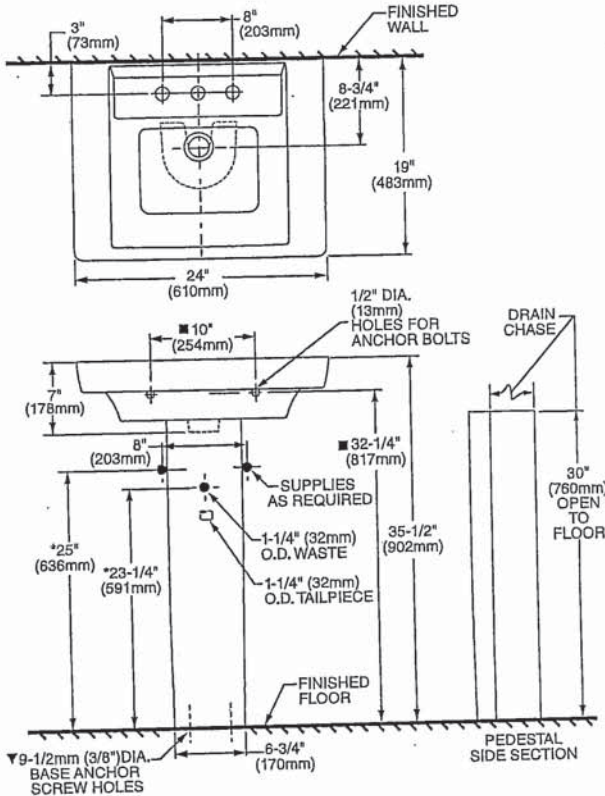


*American Standard*

**BOULEVARD®  
 PEDESTAL SINK**  
 VITREOUS CHINA

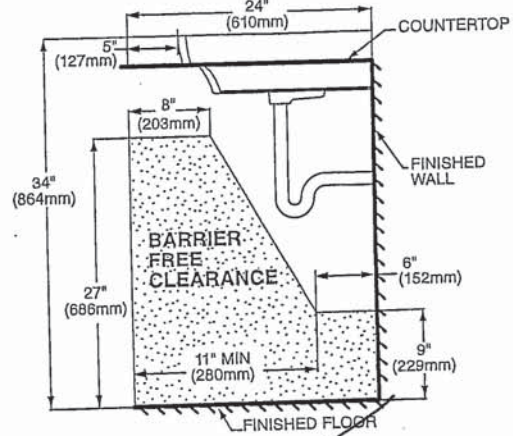
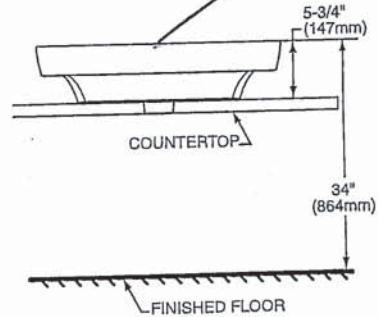
BARRIER FREE (ABOVE COUNTER OR DROP-IN ONLY)

TOP VIEW (ALL THREE CONFIGURATIONS)



PEDESTAL CONFIGURATION  
 (NOT ADA COMPLIANT)

ABOVE COUNTER CONFIGURATION



DROP-IN SINK CONFIGURATION



ABOVE COUNTER AND DROP-IN SINK CONFIGURATIONS MEET THE AMERICANS WITH DISABILITIES ACT GUIDELINES AND ANSI A117.1 ACCESSIBLE AND USABLE BUILDINGS AND FACILITIES - CHECK LOCAL CODES.

Top of sink installed at 34" (864mm) height from finished floor.  
 Sink installed 5" (127mm) minimum from front edge of countertop.  
 Provide 27" (686mm) knee clearance area.

- NOTES:**
- \* DIMENSIONS SHOWN FOR LOCATION OF SUPPLIES AND "P" TRAPS ARE SUGGESTED.
  - ▼ PEDESTAL ANCHORING SCREWS NOT INCLUDED.
  - SUITABLE FOR REINFORCEMENT ONLY. ACTUAL DIMENSIONS MUST BE TAKEN FROM FIXTURE.
  - FITTING NOT INCLUDED AND MUST BE ORDERED SEPARATELY.
  - PROVIDE SUITABLE REINFORCEMENT FOR ALL WALL SUPPORTS.
  - INSTALLATION INSTRUCTIONS SUPPLIED WITH LAVATORY.

**IMPORTANT:** Dimensions of fixtures are nominal and may vary within the range of tolerance established by ANSI Standard A112.19.2. These measurements are subject to change or cancellation. No responsibility is assumed for use of superseded or voided pages.

*SD*  
*MD*

*American Standard*

BARRIER FREE

**COLONY™**  
**COUNTERTOP SINK**  
 VITREOUS CHINA

**COLONY COUNTERTOP SINK**

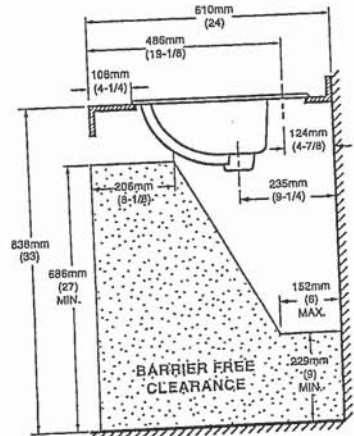
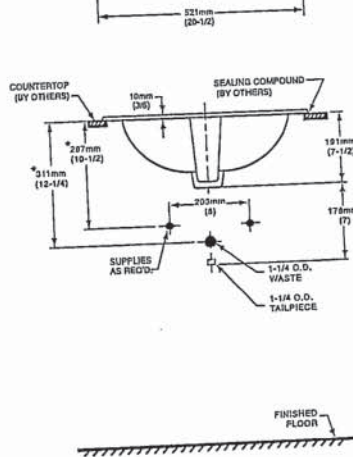
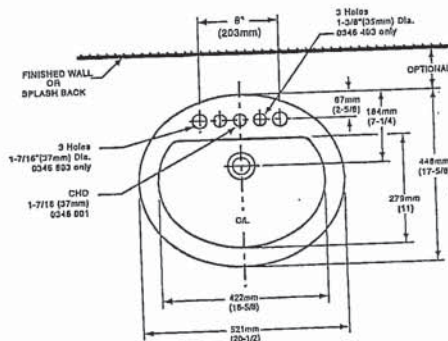
- Vitreous china
- Self-rimming
- Front overflow
- Supplied with template
- Faucet deck  
 (Faucet shown not included)



- 0346 803  
 Faucet holes on 203mm (8") centres
- 0346 403 (Illustrated)  
 Faucet holes on 102mm (4") centres
- 0346 001  
 Centre hole only

Nominal Dimensions:  
 521 x 448mm (20-1/2" x 17-5/8")

Bowl sizes:  
 422mm (16-5/8") wide, 279mm (11") front to back, 143mm (5-5/8") deep



**COMPLIANCE CERTIFICATIONS –**  
 Meets or exceeds the following Specifications:  
 • ASME A112.19.2M for Vitreous China Fixtures.  
 • CAN/CSA B45 Series.

**To Be Specified**

- Colour:  White  Bone  Silver Gray  
 Linen
- Faucet\*:
- Faucet Finish:
- Supplies & Stops:
- Trap 1-1/4" (32 mm):

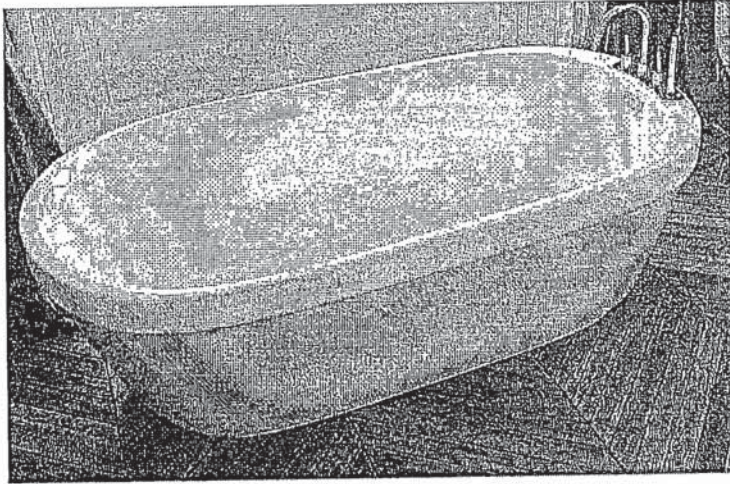
**NOTES:**  
 \* DIMENSIONS SHOWN FOR LOCATION OF SUPPLIES AND "P" TRAP ARE SUGGESTED.  
 FOR COUNTERTOP CUTOUT AND INSTALLATION INSTRUCTIONS USE TEMPLATE  
 SUPPLIED WITH SINK.  
 FAUCETS NOT INCLUDED AND MUST BE ORDERED SEPARATELY.  
 IMPORTANT: Dimensions of fixtures are nominal and may vary within the range of tolerances  
 established by ANSI Standard A112.19.2.  
 These measurements are subject to change or cancellation. No responsibility is assumed for use  
 of superseded or voided pages.

\* See faucet section for additional models available  
 BAS-198



## DEMI™ Product Specification Sheet

### Two Piece Freestanding Collection



CF2007 Two Piece Freestanding Soaker

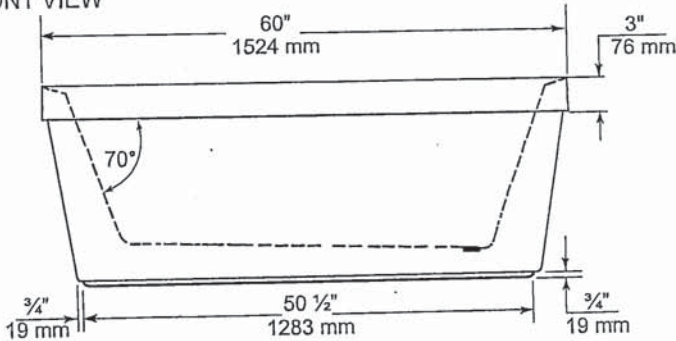
Size: 60" x 32" x 22"  
 1524 mm x 813 mm x 559 mm

#### PRODUCT FEATURES & BENEFITS

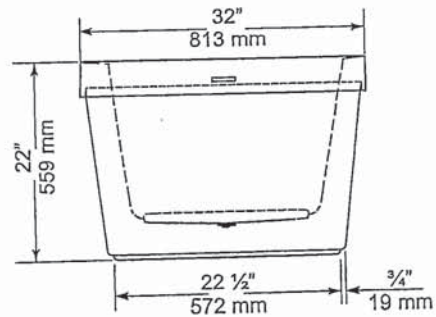
- Vacuum formed acrylic reinforced with fiberglass
- Scratch, stain and fade resistant high gloss finish
- Installation friendly two piece design
- Accepts deck mounted faucet
- Includes integral pop up drain and rectangular overflow
- Includes levelling feet

#### TWO PIECE ASSEMBLY

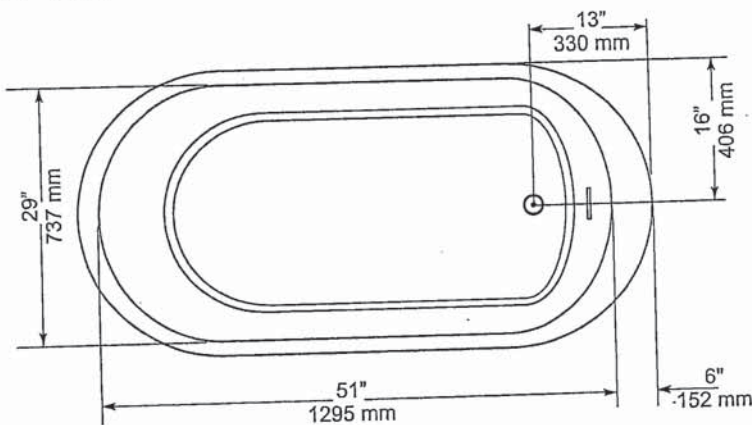
FRONT VIEW



END VIEW



TOP VIEW



#### GENERAL SPECIFICATIONS

Average Weight	90 lb	41 kg
Bathing Well at bottom	43"x 20"	1092 x 508 mm
Capacity Drain to Overflow		195 litres
Water Depth Drain to Overflow	16"	406 mm
Drain Opening (dia.)	2"	51 mm
Overflow Opening	2 1/4"x 1 1/2"	57 x 13 mm
Drain to Floor Clearance	3 1/4"	83 mm

NOTES: Please confirm measurements on actual product to ensure proper identification. Bathtub to be installed on the floor supported by 5 self levelling feet. Adjust if required to level the bathtub for adequate drainage. Refer to installation instructions for additional information.

IMPORTANT: Dimensions of fixtures are nominal and may vary ± 1/4" (6 mm). Weight may vary ± 5 lb (2.3 kg). Drawing is not to scale. These measurements are subject to change at manufacturer's discretion.

#### Compliance Certifications -

- Meets or Exceeds the following Specifications:
- CAN/CSA - B45 Series



SP  
 JAD

*American Standard*

Style That Works Better

## FloWise™ DUAL FLUSH ELONGATED TOILET

VITREOUS CHINA

### FloWise™ DUAL FLUSH ELONGATED TOILET

2476 216

- Vitreous china
- Low-consumption Dual Flush  
 Full flush 6.0 Lpf/1.3 gpf,  
 Partial flush 3.0 Lpf/0.66 gpf.
- Elongated wash down bowl
- Internal trapway fully-glazed,  
 2-1/4" (57mm) ballpass
- Concealed trapway bowl
- Chrome-plated top mounted  
 push button actuator
- Easy to clean sanitary dam on bowl
- Includes Elongated Slow Close Seat
- 100% factory flush tested
- 2 bolt caps



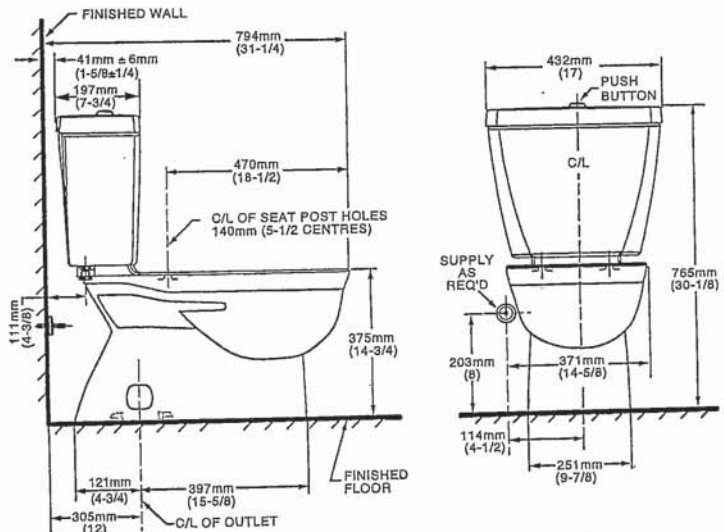
**Separate Component Parts:**

- 3067 316 Elongated Bowl with Slow Close Seat
- 4035 216 Unlined Tank

2476 516 Same as above with Lined tank

- 3067 316 Elongated Bowl
- 4035 516 Lined Tank

Nominal Dimensions:  
 794 x 432 x 765mm  
 (31-1/4" x 17" x 30-1/8")



**Compliance Certifications - Meets or Exceeds the Following Specifications:**

- ASME A112.19.2M (and 19.6M)
- CAN/CSA B45 series

To Be Specified

- Colour: 020 White
- Supply with stop:

**NOTES:**  
 THIS TOILET IS DESIGNED TO ROUGH-IN AT A MINIMUM DIMENSION OF 305MM (12") FROM FINISHED WALL TO C/L OF OUTLET.  
 SUPPLY NOT INCLUDED WITH FIXTURE AND MUST BE ORDERED SEPARATELY.  
 \* DIMENSION SHOWN FOR LOCATION OF SUPPLY IS SUGGESTED.  
 FOR ADDITIONAL INFORMATION REFER TO INSTALLATION INSTRUCTIONS SUPPLIED.  
 IMPORTANT: Dimensions of fixtures are nominal and may vary within the range of tolerance established by ANSI Standard A112.19.2  
 These measurements are subject to change or cancellation. No responsibility is assumed for use of superseded or voided pages.

**UPGRADED VALUE ADDED FEATURES AT NO EXTRA CHARGE**



There is more than 1 version of this model.  
 Page down to identify the version you have.

**DESCRIPTION**

- Metal construction with various finishes identified by suffix
- Flexible supplies with 3/8" compression fittings
- Includes metal or 50/50 pop-up type waste assembly where noted

**OPERATION**

- Pivot action lever style handle
- Temperature controlled through 100° degree arc of handle travel

**FLOW**

- Water usage is limited to these maximum flow rates as indicated by the corresponding product markings
- 1.2 gpm max (4.5L/min) at 60 psi
- 1.5 gpm max (5.7L/min) at 60 psi

**CARTRIDGE**

- 1255™ Duralast™ cartridge
- Nonmetallic/nonferrous and stainless steel material

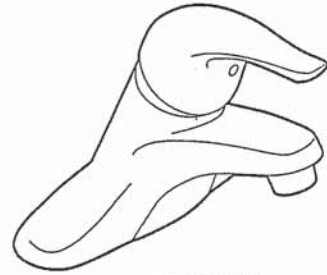
**STANDARDS**

- Third party certified to WaterSense®, ASME A112.18.1/CSA B125.1 and all applicable requirements referenced therein
- Certified to NSF 61/9 & 372
- Products marked with 1.2 gpm are compliant with California water efficiency regulations
- Complies with California Proposition 65 and with the Federal Safe Drinking Water Act
- ADA for lever handle

**WARRANTY**

- Lifetime limited warranty against leaks, drips and finish defects to the original consumer purchaser
- 5 year warranty if used in commercial installations

## Specifications



**CHATEAU®**  
 Single-Handle Lavatory Faucet

with Metal Waste Assembly

Model: L4625 series  
 L4631BC

Bulk Packed (12 per carton):  
 L64624 series

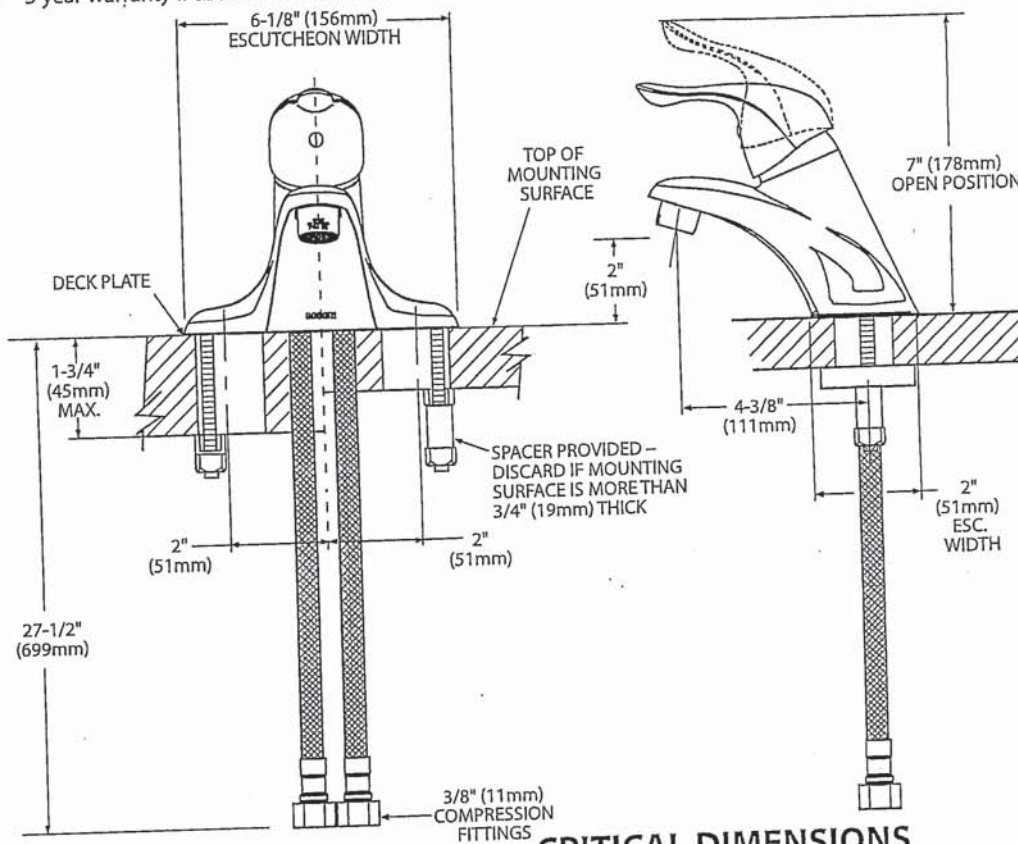
with 50/50 Waste Assembly

Bulk Packed (12 per carton):  
 L64625 series

Less Waste

Bulk Packed (12 per carton):  
 L64600 series

NOTE: THIS FAUCET IS DESIGNED TO BE  
 INSTALLED THRU 3-1" DIA. HOLES, 2" ON CENTER



**CRITICAL DIMENSIONS**  
 (DO NOT SCALE)

FOR MORE INFORMATION CALL: 1-800-BUY-MOEN  
[www.moen.com](http://www.moen.com)

*Handwritten initials/signature*



Buy it for looks. Buy it for life.®

**DESCRIPTION**

- Metal construction with various finishes identified by suffix
- Includes non-metallic showerhead, arm, flange and non-metallic diverter tub spout

**OPERATION**

- Handle operates counterclockwise through a 270° arc with off at 6 o'clock and maximum hot at the 9 o'clock position. Shut off in clockwise direction
- Adjustable temperature limit stop to control maximum hot water temperature
- Pressure balancing mechanism maintains selected discharge temperature to ± 3°

**FLOW**

- Showerhead is limited to 2.5 gpm (9.5 L/min) at 80 psi
- EP suffix models are limited to 1.75 gpm (6.6 L/min) at 80 psi
- NH suffix models contain no showerhead

**CARTRIDGE**

- 1222 cartridge design
- Accommodates back to back installations
- Nonmetallic/nonferrous and stainless steel material

**STANDARDS**

- Third party certified to meet ASME A112.18.1/CSA B125.1 and all applicable requirements referenced therein
- EP suffix models are third party certified to WaterSense®

- ADA for lever handle

**WARRANTY**

- Lifetime limited warranty against leaks, drips and finish defects to the original consumer purchaser
- 5 year warranty if used in commercial installations

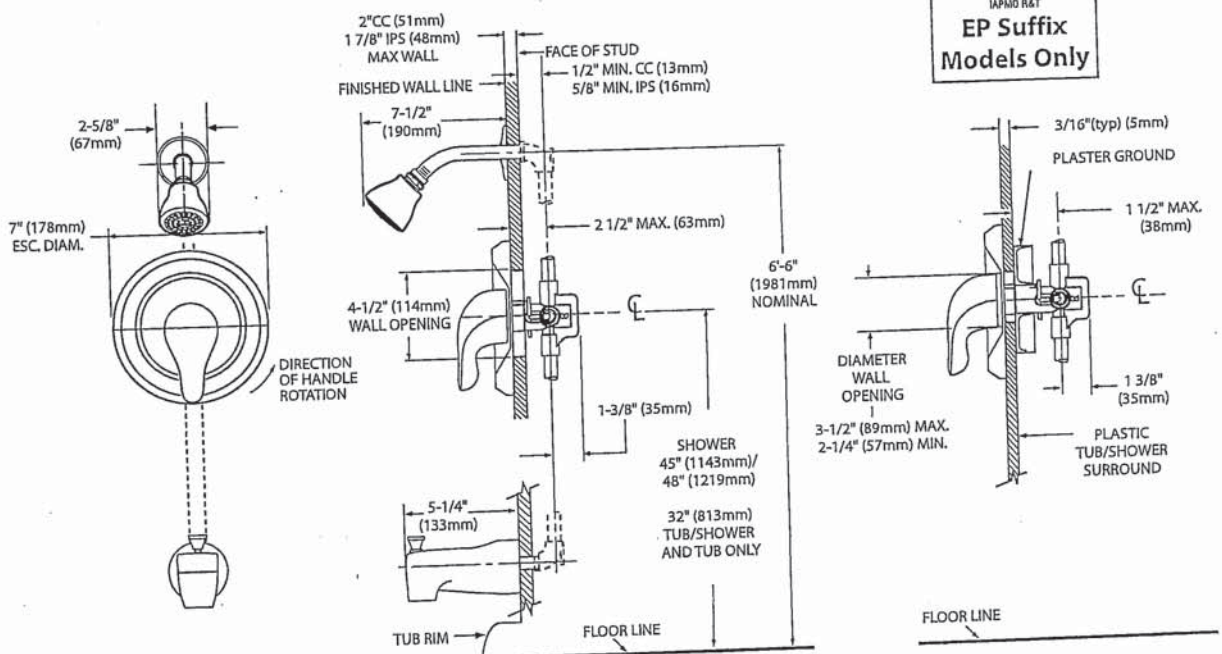
## Specifications



**CHATEAU® POSI-TEMP®  
 Single-Handle Tub/Shower Trim Kit**

- Models:** TL181 series - valve trim only  
 (Bulk Packed 12 per carton)  
 TL182 series - shower trim only  
 (Bulk Packed 12 per carton)  
 TL183 series - tub/shower trim  
 (Bulk Packed 12 per carton)

- Valves:** 62300 series  
 2500 series



FOR MORE INFORMATION CALL: 1-800-BUY-MOEN  
[www.moen.com](http://www.moen.com)



## Specifications


### DESCRIPTION

- Metal construction with various finishes identified by suffix

### OPERATION

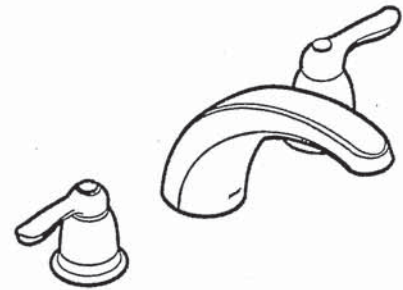
- Lever style handles with hot and cold color indicator
- Rotate hot side handle counterclockwise to open (clockwise to close) and the cold side handle (clockwise to open) and (counterclockwise to close)

### STANDARDS

- Third party certified to: ASME A112.18.1/CSA B-125.1, and all applicable requirements referenced therein
- ADA  for lever handles

### WARRANTY

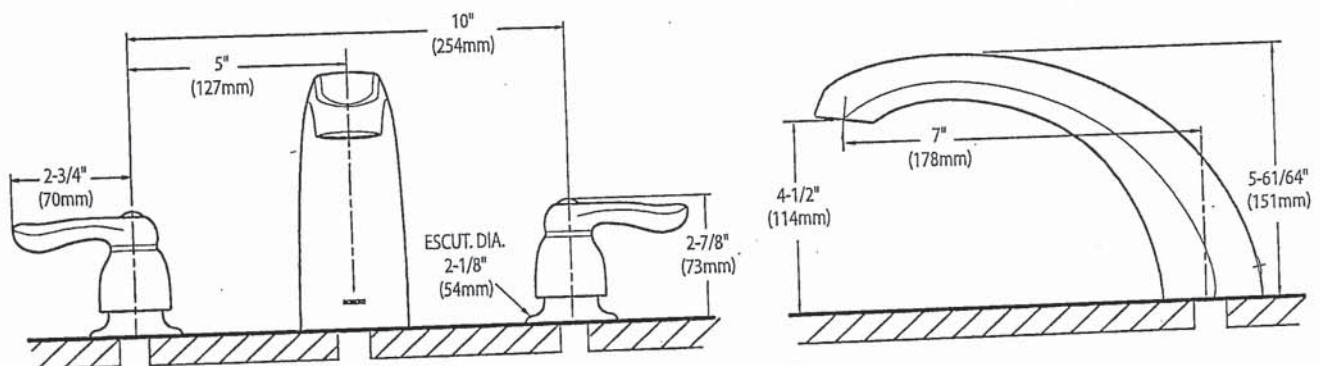
- Lifetime limited warranty against leaks, drips and finish defects to the original homeowner
  - 10 year limited warranty when used in a multi-family installation
  - 5 year limited warranty when used in a commercial installation
- Visit [www.moen.com/support](http://www.moen.com/support) for complete details and limitations



**CHATEAU®**  
Two-Handle Garden Tub Trim

Models: T994 series

Valves: 4792, 4793, 4794, 4796, 4797, 4798

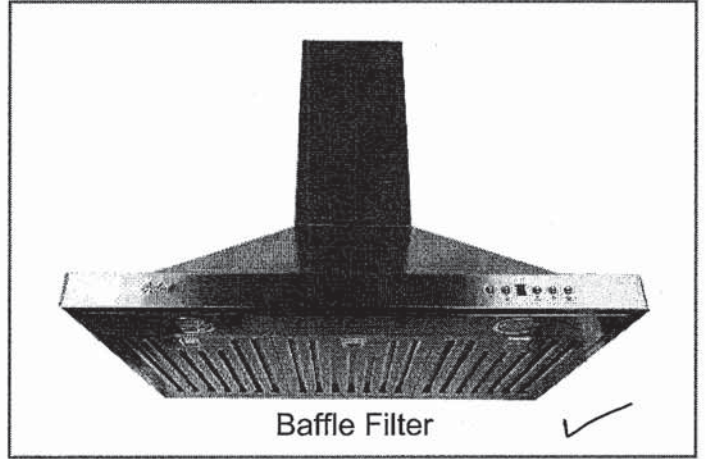
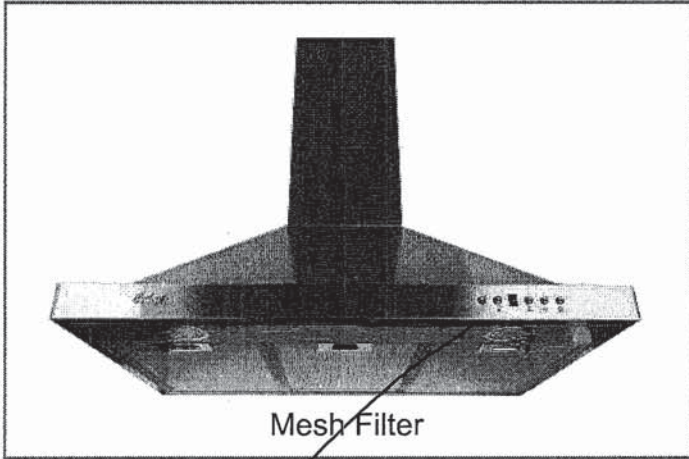


### CRITICAL DIMENSIONS (DO NOT SCALE)

FOR MORE INFORMATION CALL: 1-800-BUY-MOEN  
[www.moen.com](http://www.moen.com)

SP  
AZ

## SC(B)519 | ALITO Collection



### Wall Mount

Strong and sturdy with attractive lines and an imposing frame, the SC(B)519 is fitted with a time-delay OFF feature up to nine minutes, a 550 CFM fan, two bright front mounted LED lights and a digital three-speed push button control panel.

### Green Features



3 Speed Push Button Control Panel



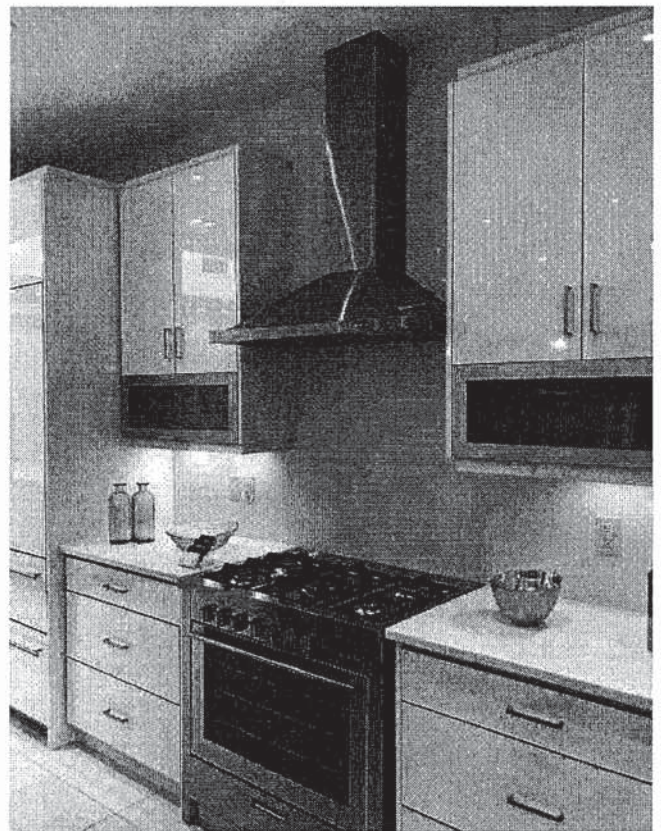
Long-Lasting LED Lights



Time-Delay OFF Feature



Grease Cup



Model	Colour	Ducting	Filters	Size	CFM
SC51924	Stainless Steel	6"	Mesh	24"	550
SC51930	Stainless Steel	6"	Mesh	30"	550
SC51936	Stainless Steel	6"	Mesh	36"	550
SCB51924	Stainless Steel	6"	Baffle	24"	550
✓ SCB51930	Stainless Steel	6"	Baffle	30"	550
SCB51936	Stainless Steel	6"	Baffle	36"	550

Cyclone Range Hoods Inc.

1361 Huntingwood Drive, Unit 16, Toronto, ON, M1S 3J1, Canada.

Toll Free: 1-888-293-5662 Tel: (416) 293-0933 Fax: (416) 293-4793 Website: www.CycloneRangeHoods.com

SD  
 JLD

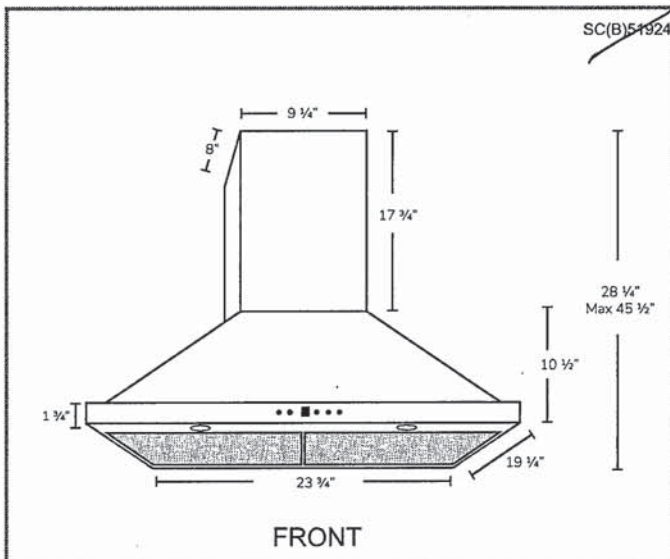
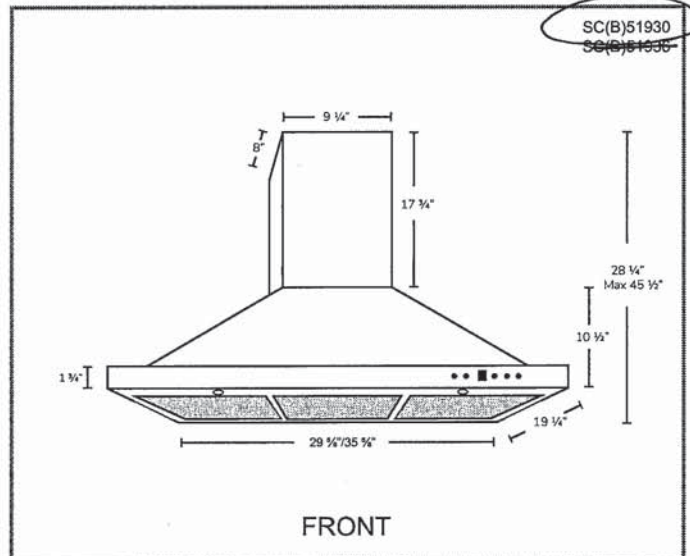


## SC(B)519 | ALITO Collection



### Features

- Wall mount range hood
- 6" round duct adapter
- Non-stick aluminum fan blades
- 3 speed push button control
- 2 LED lights (2 x 1.4W, 4000K)
- Quick release aluminum mesh filters
- Standard chimney fits up to 9 ft. ceiling
- Up to 9 minutes time-delay OFF feature
- Plug-in connection



### Options

- Filters:
  - SC519 - Quick Release Aluminum Mesh Filters
  - SCB519 - Quick Release Stainless Steel Baffle Filters
- Chimney Flues:
  - A1.CH10 - short (7'-8' ceilings)
  - A1.CH18 - standard (8'-9' ceilings)
  - A1.CH30 - extended (9'-11' ceilings)
- Widths: 24", 30", 36"

### Specifications

- |  |  |  |
|--|--|--|
| <ul style="list-style-type: none"> <li>• Air Flow Volume: 550 CFM</li> <li>• Electrical Connection: 120 V/60 Hz</li> <li>• Power Consumption: 300 Watts</li> </ul> | <ul style="list-style-type: none"> <li>• Current: 2.5 Amps</li> <li>• Fan Speed: 1599 RPM</li> <li>• Fan Type: Centrifugal Blower</li> </ul> | <ul style="list-style-type: none"> <li>• Finishes: Stainless Steel</li> <li>• Ducting: 6" Round</li> <li>• Noise Level: Min. 2 Sones<br/>Max. 6 Sones</li> </ul> |
|--|--|--|





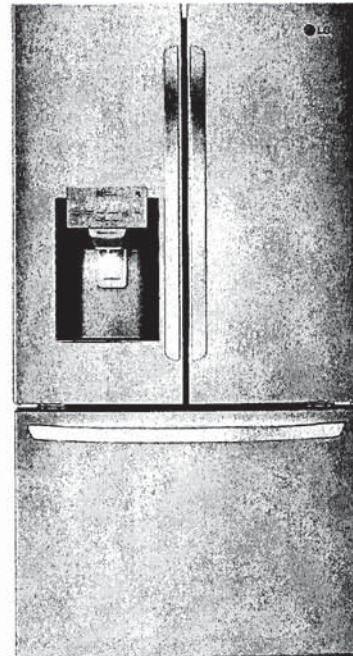
HOME APPLIANCES

**LG REFRIGERATION**

## LFXC22526

22 cu.ft. Counter Depth 3-Door French Door Refrigerator

- Smudge Resistant Finish
- 10 Year Warranty on Inverter Linear Compressor
- Slim SpacePlus® Ice System
- Dual Ice Maker in freezer
- Door Cooling+
- Glide N' Serve Pantry Drawer
- SmartThinQ® - WiFi Connectivity
- Fresh Air Filter
- Flat Duct design
- SmartPull™ Handle
- ENERGY STAR®



Enjoy new ways to control your home with LG smart appliances

- Get an alert when kids forget to close the door
- Make more ice while you're at work
- Works with the LG SmartThinQ® app

SmartThinQ®

works with the Google Assistant

WORKS WITH alexa

<b>CAPACITY</b>	
Refrigerator (cu.ft.)	14.8
Freezer (cu.ft.)	7.3
Total Capacity (cu.ft.)	22.1
<b>ENERGY</b>	
Energy Consumption (kWh/Year)	665
ENERGY STAR® Qualified	Yes
<b>WATER &amp; ICE SYSTEM</b>	
Ice & Water Dispenser	Yes
Dispenser Type	Integrated Tall
Ice System	Slim SpacePlus®
Dual Ice Maker	Installed
Dispenser Light	Yes
Water Filter	LT1000P
<b>COOLING</b>	
Inverter Linear Compressor	Yes
Multi-Air Flow	Yes
Temperature Sensors	6
Fresh Air Filter	Yes
<b>CONVENIENCE</b>	
Display Type	Membrane / White LED
Temperature Controls	Electronic/Digital
Door Alarm	Yes
LoDecibel™ Quiet Operation	Yes
<b>REFRIGERATOR</b>	
No. of Shelves	4 Split
Cantilevered Shelves	Hybrid Cantilevered
Shelf Construction	Spill Protector™ Tempered Glass
Crisper Bins	2 Humidity Crispers
Glide N' Serve Pantry Drawer	Yes
Refrigerator Light	Ceiling LED
<b>REFRIGERATOR DOOR</b>	
No. of Bins	6 Total
Door Bin Construction	1 Piece (Clear)
Door Cooling+	Yes

<b>FREEZER</b>	
Door Type	Pull Drawer
Drawers	2-Tier Organization
DuraBase™ Solid Drawer Base	Yes
Drawer Divider	Yes
Freezer Light	LED Lighting
Freezer Handle	SmartPull™ Handle

<b>SmartThinQ® SMART FEATURES</b>	
Wi-Fi Enabled	Yes
SmartDiagnosis	Yes
<b>MATERIALS AND FINISHES</b>	
Contour Door	Yes
Hidden Hinges	Yes
Smudge Resistant Finish	Yes
Handles	Matching Commercial
Available Colours	Smudge Resistant Stainless Steel
<b>DIMENSIONS/CLEARANCES/WEIGHTS</b>	
Depth with Handles	31 1/4"
Depth without Handles	28 3/4"
Depth without Door	24 3/4"
Depth (Total with Door Open)	43 1/2"
Height to Top of Case	68 3/8"
Height to Top of Door Hinge	69 3/4"
Width	35 3/4"
Width (Door Open 90° with Handle)	44 1/4"
Width (Door Open 90° without Handle)	39 1/4"
Door Edge Clearance with Handle	4 1/2"
Door Edge Clearance without Handle	1 3/4"
Installation Clearance	Sides 1/8", Top 1", Back 2"
Weight (Unit/Carton)	271 lbs. / 301 lbs.
Carton Dimensions (WxHxD)	38" x 73" x 36"
<b>WARRANTY</b>	
Part & Labour	1 Year
Sealed System	5 Years
Inverter Linear Compressor	10 Years
<b>UPC CODES</b>	
LFXC22526S (Smudge Resistant Stainless Steel)	048231797238
LFXC22526D (Smudge Resistant Black Stainless Steel)	048231797245



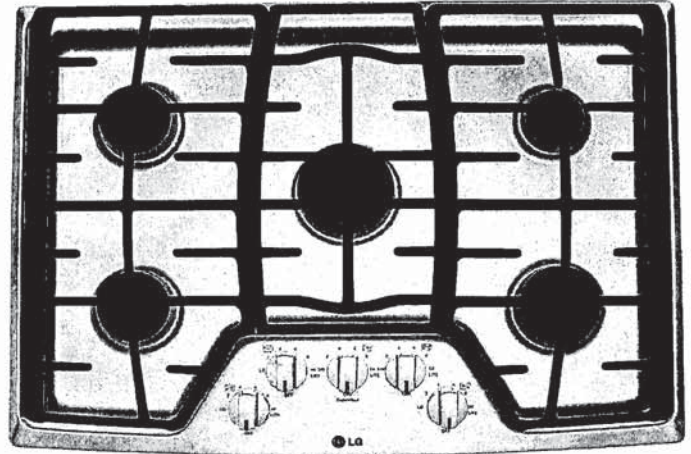
## LCG3011ST

30" Gas Cooktop

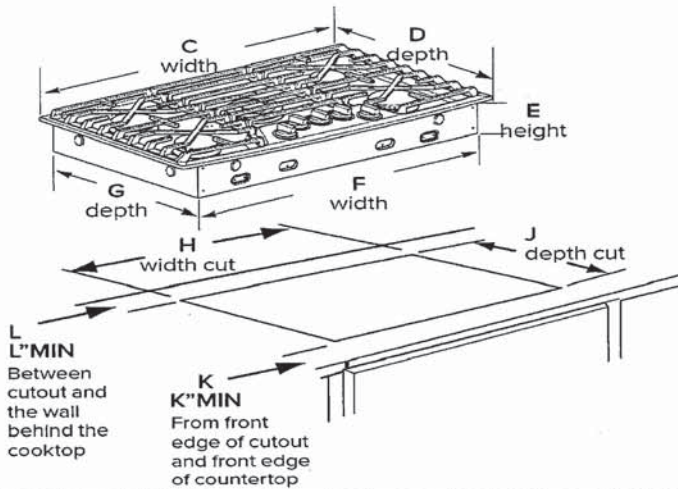
COOKING

**COOKTOP BURNER SIZE /WATTAGE / BTU (SIMMER / BTU)**

Left Rear	9,100 / 9,100	1600
Left Front	9,100 / 9,100	1600
Right Rear	5,000 / 5,000	1300
Right Front	12,000 / 9,500	2200
Center (Warming Zone)	17,000 / 11,000	2300
No. of Burners	5	
Fuel Type	LNG / LPG	



**Cooktop and cutout dimensions**



**DIMENSIONS / WEIGHT**

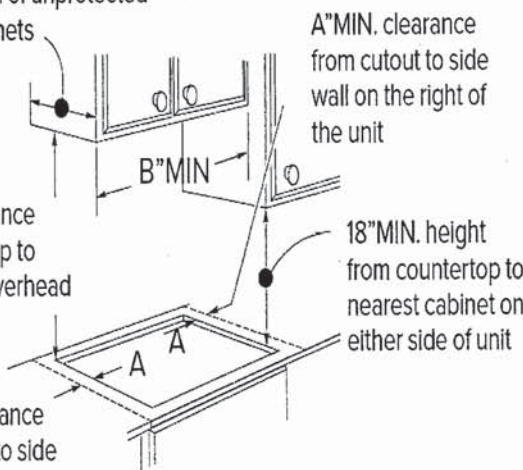
Min. spacing Left and Right	A	11"
Cabinet Width	B	30"
Width	C	30"
Depth	D	21-11/16"
Height	E	3-3/4"
Insert Width	F	28-1-4"
Insert Depth	G	19-3/8"
Width_Cutout	H	28-1/2"
Depth_Cutout	J	19-11/16"
Minimum Front Countertop Clearance	K	1-5/8"
Minimum Spacing to Back Wall	L	2-3/4"

**- Maintain the following minimum clearance dimensions**

13" MAX. Depth of unprotected overhead cabinets

30" MIN. clearance from countertop to unprotected overhead surface

A" MIN. clearance from cutout to side wall on the left of unit.



**POWER / RATINGS / UPC CODE / WARRANTY**

Rating	120V/ 60 Hz AC
Electric Supply	120 V/ 60Hz AC
Net Weight	44.53lbs
Gross Weight	53.57lbs
Package Height	10-1/2"
Package Depth	25-31/32"
Package Width	34-9/16"
UPC	048231 317306
Limited Warranty	1 year

Dimensions and weights are approximate. Design, features and specifications subject to change without notice.



HOME APPLIANCES

**LG COOKING**

**LWC3063\_**  
 Combi Wall Oven

1.7 cu.ft. Microwave (Speed Oven)

Infrared Heating™

4.7 cu.ft. Oven

Crisp Convection

Self+EasyClean

SmartThinQ® Technology



Enjoy new ways to control your home with LG smart appliances

- Start or stop your Oven remotely
- Set your Monitor Status from your smartphone
- Works with the LG SmartThinQ® app

SmartThinQ® works with the Google Assistant alexa innit SIDECHEF



SMART APPLIANCE

SUMMARY

Total Oven Capacity (cu. ft.)	6.4 (Upper & Lower)
Colors	Stainless Steel / Black Stainless Steel
<b>UPPER OVEN FEATURES</b>	
Capacity (cu.ft)	1.7
Interior(Cavity) - Upper MWO / Lower Oven	Stainless / Enamel Coating
Microwave Power output	950W
Microwave mode power consumption	1650W
Convection Bake mode power consumption	1550W
Broil mode power consumption	1650W
Convection Element (W)	1500W (Sheath heater)
Broil Upper Element (W)	1200W + 700W (Miraclon heater) + 500W (Infrared Heating™)
Broil Lower Element (W)	375W (Miraclon heater)
Microwave	Yes
Convection Bake	Yes
Broil	Yes
Speed cook	Yes (TurboCook™)
- # of Defrost (4 Menu)	Meat / Poultry / Fish / Bread
- # of Sensor cook (9 Menu)	Beverage / Casserole / Chicken / Pasta / Pizza / Plate of food / Rice / Soup / Vegetable
- # of Auto cook (28 Menu)	Bacon (regular sliced) / Bagels (frozen) / Baked potatoes (7-9oz/ea) / Brownie / Cod fillets (1 lb) / Corn dog (frozen) / Fresh vegetable / Frozen chicken wings / Frozen fries / Frozen chicken nuggets / Frozen pizza (regular crust) / Frozen soft pretzels / Frozen vegetable / Garlic bread (sliced, frozen) / Hamburger (1/2" thick) / Lamb chops (1/2" chick, 6-7oz) / Meat loaf (9" X 5") / Nachos / Oatmeal / Pork chops (1/2" thick, 6-7oz) / Quinoa / Rib eye steak (1" thick 14-15oz) / Rice / Salmon steak (1" thick) / Sausage / Sirloin steak (1" thick, 18-21oz) / Tenderloin / Vegetable-canned
- # of Soften (4 Menu)	Butter & Margarine / Cream Cheese / Ice Cream / Frozen Juice
- # of Melt (5 Menu)	Butter / Caramel / Cheese / Chocolate / Marshmallow
<b>LOWER OVEN FEATURES</b>	
Capacity (cu.ft)	4.7
EasyClean®	Yes
Self Clean	Yes (3,4,5 hours)
Variable cleaning time	Yes (3,4,5 hours)
Variable broil	Yes (Full,Center / High,Med,Low)
Broil element	2,500 watts inner / 1,500 watts outer
Bake element	2,500 watts
Bake element type	Hidden (8 pass)
# of rack position	5
12 hrs. shut-off	Yes
- # of light	3 (Halogen Lamp - 3 dimension lighting)
Convection conversion	Yes
-Convection element	Yes (2,000 watts Sheath heater)
Convection System/Mode/Cooking System	Conventional
Convection Fan	Dual Speed (High/Low)
Oven Cooking mode	Conv.Bake / Conv.Roast / Bake / Broil / Steam Bake / Steam Roast / Probe / more mode (Favorite/Warm/Proof)
Oven Control Features	Glass Touch (SmoothTouch™)
Door Lock	Yes

CONTROL

Oven Control Type	Glass Touch (SmoothTouch™)
Display	White VFD
Language	English / Spanish / French
Smart Function	Wi-Fi / Smart Buzzer
Clock	12 hr or 24 hr (option)
Kitchen Timer	Yes
Timed Cook	Yes
Temperature Unit of Measure	Fahrenheit / Celsius
Cooking Complete Reminder Volume	Beeper (1. Loud, 2. Low, 3. Mute)
<b>APPEARANCE</b>	
Available Colors	Stainless Steel / Black Stainless Steel
Handle/Knobs	Stainless Steel Finish (Aluminum) / Black Stainless Steel Finish (Aluminum)
Oven Door Feature	WideView™ Window
Scratch-Resistant	Yes
PrintProof™ Finish	Yes (Only Black Stainless Steel)

SmartThinQ® SMART FEATURES

SmartDiagnosis™	Yes
Wi-Fi Connectivity	Yes
Works with	Google Assistant and Amazon Alexa
SmartThinQ® with Innit and SideChef	Yes
<b>DIMENSIONS/CLEARANCES/WEIGHT</b>	
Shipping Weight (lbs)	244 lbs
Product Weight (lbs)	194 lbs
Product (W x H x D)	29 3/4" x 43 13/16" x 24 1/2"
Cut-out (W x H x D)	28 1/2" x 43 8/19" x 23 1/2"
Overall Depth (in) - including handle	26 7/8"
Actual Depth with Door Open (Upper) (in):	37.1"
Actual Depth with Door Open (Lower) (in):	45.7"
Oven Interior Dimensions (Upper) (in) (W x H x D)	20 8/11" x 8 9/25" x 17 5/13"
Oven Interior Dimensions (Lower) (in) (W x H x D)	24 1/2" x 17 5/8" x 18 7/8"
Carton Dimensions (in) (W x H x D)	33" x 30" x 50"

POWER/RATINGS

Amp at 240V	32.5A
kW at 240V	7.8kW
Requirements	120 / 240 VAC, 120 / 208 VAC

ACCESSORIES

Glass Tray(Upper)	Yes
Metal Tray(Upper)	Yes
Rack(Upper)	Yes
Broiler pan & Grid	Yes
Gliding Rack	1
Heavy Duty Rack	2
Meat probe	Yes
Scouring Pad	Yes

WARRANTY

Parts & Labor	1 Year
---------------	--------

UPC CODES

LWC3063ST (Stainless Steel)	048231339810
LWC3063BD (Black Stainless Steel)	048231339827



HOME APPLIANCES

**LG COOKING**

## LWC3063\_

Combi Wall Oven

### QUICK INSTALL & CLEARANCES

For full installation directions/clearances please refer to the corresponding User Manual and Installation Guide.

IMPORTANT

**DIMENSIONS / CLEARANCES / WEIGHT**

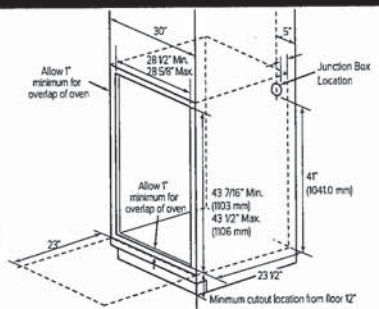
Product Dimensions (in) (W x H x D)	29 3/4" x 43 13/16" x 24 1/2"
Cut-out (W x H x D)	28 1/2" x 43 8/19" x 23 1/2"
Overall Depth (in) - including handle	26 7/8"
Actual Depth with Door Open (Upper) (in):	37.1"
Actual Depth with Door Open (Lower) (in):	45.7"
Oven Interior Dimensions (Upper) (in) (W x H x D)	20 8/11" x 8 9/25" x 17 5/13"
Oven Interior Dimensions (Lower) (in) (W x H x D)	24 1/2" x 17 5/8" x 18 7/8"
Carton Dimensions (in) (W x H x D)	33" x 30" x 50"
<b>POWER RATINGS</b>	
Amp at 240V	32.5A
kW at 240V	7.8kW
Requirements	120 / 240 VAC, 120 / 208 VAC

**INSTALLATION REQUIREMENTS**

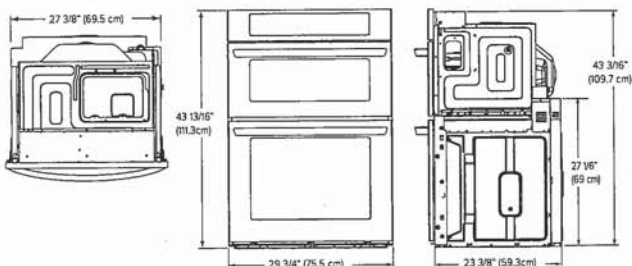
- The cabinet base platform must be able to support 202 lbs (91.65 kg) for a Microwave Combination Wall Oven. If the cabinet does not have a solid bottom, two braces or runners must be installed level with the bottom of the cutout to support the weight of the oven. Make sure the base is level and the front of the cabinet is square. If the cabinet base is not level, the oven racks will tend to slide out when opening the door.
- If marks, blemishes or the cutout opening are visible above the installed oven, it may be necessary to add wood shims under the runners and front trim until the marks or opening are covered.
- If the cabinet does not have a front frame and the sides are less than 3/4" (1.9 cm) thick, shim both sides equally to establish the cutout width.
- The junction box must be flush with the rear wall of the cabinet as shown below.
- Allow at least a 23" clearance for the door depth when it is open.
- Kitchen cabinets in contact with the oven must be heat resistant up to 194°F (90°C), and fronts of nearby units up to at least 158°F (70°C).

**CUTOUT DIMENSIONS**

- Cabinet Width: 30" (762 mm)
- Recommended Minimum Cutout Location from Floor: 12" (304.8 mm)
- Cutout Depth: 23 1/2" Min. (596.9 mm)
- Cutout Width: 28 1/2" Min. (723.9 mm)  
28 5/8" Max. (727 mm)
- Cutout Height: 43 7/16" Min. (1103 mm)  
43 1/2" Max. (1106 mm)

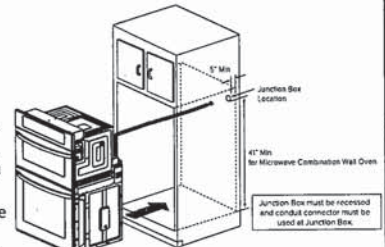


**PRODUCT DIMENSIONS**



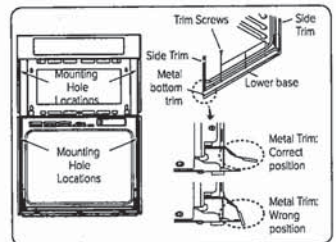
**ELECTRICAL CONNECTIONS**

- Be sure the wall oven is installed and grounded properly by a qualified installer or service technician.
- This wall oven must be electrically grounded in accordance with local codes or, in their absence, with the National Electrical Code ANSI/NFPA No.70- latest edition in United States, or with CSA Standard C22.1-1982 and C22.2 No.01982 (or latest edition), Canadian Electrical Code, Part1, and all local codes and ordinances.
- This wall oven must be supplied with the proper voltage and frequency, and connected to an individual, properly grounded branch circuit, protected by a circuit breaker or fuse. For the circuit breaker or fuse required by this model, see the rating plate to find the wattage consumption and refer to the table below to get the circuit breaker or fuse amperage.
- A Microwave Combination Wall Oven can consume up to 7,800 W at 240 VAC. A 50 Amp circuit breaker with wire gauge #8 AWG must be used.
- Do Not ground to a gas pipe.
- Do Not have a fuse in the neutral or grounding circuit.
- A U.L.-listed conduit connector must be provided at the junction box.
- Prepare the electrical connection as follows:
  - Turn off the circuit breaker or remove fuses to the oven branch circuit.
  - With the oven positioned directly in front of the cabinet opening, connect the flexible conduit to the electrical junction box as shown below. Position the conduit in such a manner that it will lie on top of the oven in a natural loop when the oven is installed.
  - If local codes permit connection of the frame grounding conductor to the neutral(white) wire, follow the instructions for a 3-wire circuit connection.
  - If used in mobile homes or new construction, or a recreational vehicle, or local codes do not permit connection of the frame grounding conductor to the neutral(white) wire, follow the instructions for a 4-wire circuit connection.



**INSTALL THE OVEN**

- Install the oven into the cabinet as follows:
  - Slide the oven into the opening.
    - Loop (do not tie) a 36" (91 cm) string around the conduit before the oven is slid into place. Lay the string over the top of the oven and use it to keep the conduit from falling behind the oven.
    - Lift oven into cabinet cutout using the oven opening as a grip. Carefully push against the oven front frame. Do not push against outside edges.
    - While sliding the oven back, pull the string so that the conduit lies on the top of the oven in a natural loop.
    - When you are sure the conduit is out of the way, slide the oven 3/4 way back into the opening. Remove the string by pulling on one end of the loop.
  - Secure the oven.
    - Using the mounting holes on the oven side trim as a guide, drill pilot holes for screws provided. (For securing the Combi Oven, use a minimum of 4 screws, one on each side in both the upper and lower ovens.)
    - Secure the oven to the cabinet with screws provided. If the cabinet is particle board, you must use 3/4" particle board screws. These may be purchased at any hardware store.
  - Install the metal bottom trim.
    - Place the metal bottom trim centered over the pre-drilled mounting holes on the lower base.
    - Using 3 screws provided, secure the bottom trim to the bottom edge of the cabinet.
  - Reinstall the oven door.



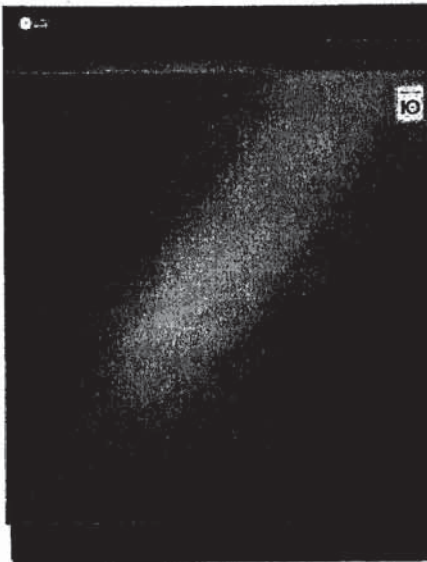


HOME APPLIANCES

**LG DISHWASHERS**

**LDP6797**  
 Top Control Wi-Fi Enabled Dishwasher  
 with QuadWash® and 3rd Rack

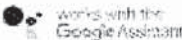
- QuadWash®
- 10-Year Warranty on Inverter Direct Drive Motor
- SmartThinQ® Wi-Fi Connectivity
- Height Adjustable 3rd Rack
- EasyRack™ Plus
- Glide Rail
- Stainless Steel Tub
- LoDecibel™ Quiet Operation (44 dBA)
- Dual Zone Wash
- ENERGY STAR® Qualified



Enjoy new ways to control your home with LG smart appliances

- Get notifications when dishes are clean
- Monitor the cycle time from your smartphone
- Works with the LG SmartThinQ® app

SmartThinQ®



**CAPACITY**

Total Place Settings	15
Upper Rack Dish Height Limit	7.1"
Lower Rack Dish Height Limit	12.5"

**RACKS AND BASKETS**

Cutlery Baskets	Yes
Cup Rack	Yes
Stemware Holder	Yes
Fold Down Tines	Yes (Half Fold on Upper & Lower)
BPA-Free Nylon Coated Racks and Tines	Yes
Rack Handle	Yes (Upper/Lower)
Glide Rail	Yes (Upper)
EasyRack™ Plus System	Yes
Height Adjustable Upper Rack	Yes (One Touch; 3 Level)
Height-Adjustable 3rd Rack	Yes

**STYLE AND DESIGN**

Smudge Resistant Finish	Yes (only LDP6797BD & LDP6797SS)
Control Panel Location	Top
Electronic Controls	Hidden SmoothTouch™ Controls with LED Display
SignalLight™ Cycle Indicator Lights	3
Time Remaining Indicator	Yes (LED)
Tub Material	NeveRust™ Stainless Steel
Handle	Flush
Available Finishes	Black Stainless Steel, Smudge Resistant Stainless Steel, Stainless Steel

**FEATURES**

QuadWash®	Yes
Inverter Direct Drive Motor	Yes
LoDecibel™ Quiet Operation	44 dBA
Number of Wash Cycles	9 (Auto, Heavy, Delicate, Normal, Turbo, Download Cycle, Machine Clean, Rinse, Express)
Number of Options	8 (Dual Zone, Half Load, Energy Saver, High Temp, Extra Dry, Delay Start, Control Lock, Night Dry)
Number of Spray Arms	3 (Top, Upper, Lower)
SenseClean™ Wash System	Yes
Vario Wash	Yes
Detergent and Rinse-Aid Dispenser	Yes
Hybrid Condensing Drying System	Yes
End of Cycle Indicator	Yes (Beeper + END indication on display)
Hidden Water Heater	Yes
Safety Float Switch (Leaks)	Yes

Soil (Turbidity) Sensor	Yes
Tub Insulation (Damping Sheet,	Yes
Sound Absorbing Material (felt), Base)	Yes
BPA-Free Nylon Coated Racks and Tines	Yes
Anti-Bacterial Treatment (Sump, Inner / Outer filter, Drain pump case, Drain hose)	Yes
Balanced Door	Yes
Multi-Level (5) Water Direction	Yes (Top Nozzle (Down), Upper Nozzle (Up/Down), Lower Nozzle (Up/Down))
3-Stage Filtration System	Yes

**SmartThinQ® SMART FEATURES**

Wi-Fi Enabled	Yes
Voice Activation	Yes
Works with	Google Assistant and Amazon Alexa
Cycle Complete Notification	Yes
Monitor Cycle Time	Yes

**POWER RATINGS**

ENERGY STAR® Qualified	Yes
CEE Tier	1
Energy Use (kWh/Year)	258 kWh
Water Factor (WF)	2.8

**DIMENSIONS / CLEARANCES / WEIGHT**

Product Dimensions (in) (W x H x D)	23.75" x 33.6" x 24.6"
Product Weight (lbs)	82 lbs
Depth with Door Closed with Handle (in)	24.6"
Depth with Door Open (in)	50.5"
Carton Dimensions (in) (W x H x D)	28" x 34.7" x 29.6"
Shipping Weight with Carton (lbs)	94.1 lbs

**LIMITED WARRANTY**

Labour	1 Year
Parts	1 Year
Control Board, Rack, Stainless Steel Door Liner and Tub	5 Years
Inverter Direct Drive Motor	10 Years

**UPC CODES**

LDP6797BD (Black Stainless Steel)	048231022187
LDP6797SS (Smudge Resistant Stainless Steel)	772454071843
LDP6797ST (Stainless Steel)	048231022156



HOME APPLIANCES

**LG DISHWASHERS**

**LDP6797\_**  
 Top Control Wi-Fi Enabled Dishwasher

**QUICK INSTALL & CLEARANCES**

For full installation directions/clearances please refer to the corresponding User Manual and Installation Guide.

IMPORTANT

**CLEARANCES**

Product Dimensions (in) (W x H x D)	23 3/4" x 33 3/5" x 24 3/5"
Depth with Door Closed with Handle (in)	24 5/8"
Depth with Door Open (in)	50 1/2"
Carton Dimensions (in) (W x H x D)	28" x 34 7/10" x 29 3/5"

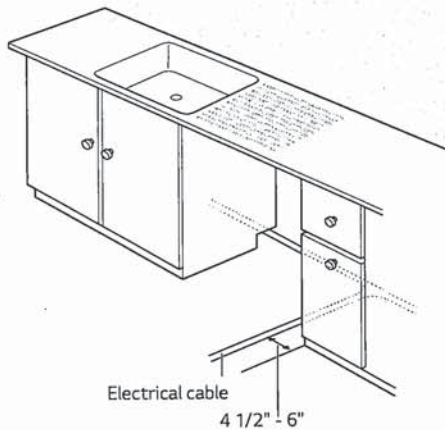
**POWER RATINGS**

ENERGY STAR® Qualified	Yes
CEE Tier	1
Energy Use (kWh/Year)	258 kWh
Water Factor (WF)	2.8



**PREPARING ELECTRICAL WIRING**

- Operate this appliance with the correct voltage as shown in your User Manual and on the rating plate. Connect it to a dedicated, properly grounded branch circuit which is protected by a time delay fuse. Connect the appliance using 3-wires, including a ground wire.
- If an outlet and other power connector are used, it should be in an accessible location adjacent to and not behind the dishwasher and within 4 ft. of the dishwasher's side.
- The wiring must be grounded properly. If in doubt, have it checked by a qualified electrician. Do not connect any other appliance to the same outlet.
- Route the wiring.
- Make sure the electrical cable is oriented in the right side channel.

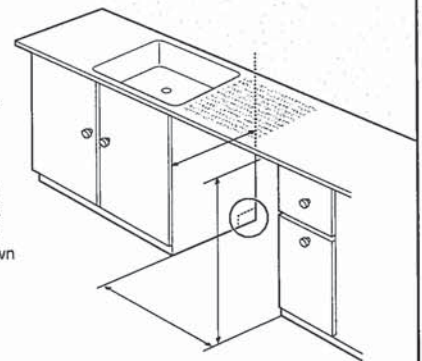


**WARNING**

- For personal safety, remove house fuse or open circuit breaker before installation.
- Do not use an extension cable or adapter with this dishwasher
- If you find any damage to the dishwasher, contact your retailer or contractor.

**PREPARING CABINET OPENING**

- This dishwasher is designed to fit a standard dishwasher opening. An opening may be needed on both sides to route plumbing and electrical connections.
- Select a location as close to the sink as possible for easy connections to water and drain lines.
- To ensure proper drainage, install the dishwasher no more than 12 ft. from the sink.
- If installing the dishwasher in a corner, leave a minimum of 2" between the dishwasher and the adjacent wall.
- To allow for proper clearance of plumbing and electrical, use the template included with the literature to determine the clearance on the side of the cabinet where the cabinet meets the back wall. Using a 2 1/2" diameter hole saw, drill a hole in the target area as shown on the template.



**WARNING**

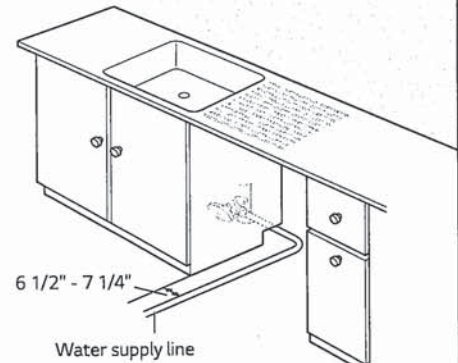
Don't use existing holes unless they are in the target area. Otherwise, the water supply and drain hose may be damaged by being crushed or kinked.

**CAUTION**

Failure to properly locate the hole for the water and drain lines may prevent the dishwasher from installing flush with the cabinets and could result in kinked or damaged lines. Installation damage is not covered by the warranty, and leaks caused by improper installation may result in property damage.

**PREPARING WATER SUPPLY CONNECTION**

- Make sure the house water supply is turned off before connecting the dishwasher water lines.
- Connect the dishwasher to a hot water supply with a temperature range between 120 °F (49 °C) and 149 °F (65 °C). This temperature range provides the best washing results and shortest cycle time. To prevent damage to dishes, the temperature should not exceed 149 °F (65 °C).
- When connecting the dishwasher water line, sealing tape or compound should be used on pipe threads to avoid leaks. Tape or compound should not be used on compression fittings.
- The water supply tube must be located in the left side channel.



**NOTE**

Use new hoses when connecting to the water supply. Do not reuse old hoses.



HOME APPLIANCES

**LG LAUNDRY**

## WM3850HVA

5.2 cu. ft. Capacity Front Load Washer

AI DD™

Steam Technology

ENERGY STAR® Qualified

SmartDiagnosis™

Touch Control Panel

ThinQ™ Technology (Wi-Fi Enabled)

Enjoy new ways to control your home with LG smart appliances

**LG ThinQ™** • Start the laundry while you're out shopping  
 • Get alerts when the cycle is finished  
 • Works with the LG ThinQ® app



<b>CAPACITY</b>	
Capacity (cu.ft.)	5.2
<b>APPEARANCE</b>	
Design Look	Front Control
Intelligent Electronic Controls with LED Display	•
Touch Buttons	•
Dial-A-Cycle™	•
<b>ENERGY</b>	
ENERGY STAR® Qualified	•
CEE Tier	2
<b>DRYING PROGRAMS</b>	
No. of Programs - 12	Normal, Perm. Press, Heavy Duty, Delicates, Towels, Speed Wash, Bedding, Tub Clean, Bright Whites™, Sanitary, Allergiene™, Downloaded
No. of Options - 13	Steam, Fresh Care, Pre-wash, Remote Start, Delay Wash, Wi-Fi, Add Item, Cold Wash, Extra Rinse, Rinse+Spin, Control Lock, Spin Only, Signal
Temperature Settings	5 Extra Hot, Hot, Warm, Cold, Tap Cold
Spin Speeds	5 Extra High, High, Medium, Low, No Spin
Water Levels	Load Sensing
Soil Levels	5
<b>FABRIC CARE FEATURES</b>	
AI DD™	•
Steam Technology	•
Allergiene™ Cycle	•
Sanitary Cycle	•
ColdWash™ Option	•
<b>CONVENIENCE FEATURES</b>	
4 Tray Dispenser	Prewash, Main Wash (with liquid detergent cup), Bleach, Fabric Softener
TrueBalance™ Anti-Vibration System	•
Load Sense	•
Control Lock	•
Auto Suds Removal	•
Leveling Legs	4 Adjustable Legs
<b>ThinQ™ TECHNOLOGY</b>	
SmartDiagnosis™ (v3.0)	•

Wi-Fi	•
Remote Start and Cycle Monitor	•
Energy Monitoring	•
Tub Clean Coach	•
<b>MOTOR</b>	
Motor Type	Inverter Direct Drive Motor
Motor Speed	Variable
Max RPM	1,300
Axis	Horizontal
<b>MATERIALS AND FINISHES</b>	
NeveRust™ Stainless Steel Drum	•
Cabinet	PCM
Control Panel	Plastic
Top Plate	Painted
Door Cover	Tempered Glass Door
Door / Rim	Glass / Shiny Rose Gold
All Available Colours	Graphite Steel (V)
<b>POWER SOURCE</b>	
Ratings	UL Listed
Electrical Requirements	120V, 10 Amps
Type	Electric
<b>OPTIONS</b>	
Pedestal	WDP4V 27" x 14 1/8" x 30 3/4"
SideKick™ Pedestal Washer	WD100CV 27" x 14 1/8" x 30 3/4"
Stacking Kit	KSTK1
<b>DIMENSIONS</b>	
Product (WxHxD)	27" x 39" x 30 1/4" 55" (With door open)
Carton (WxHxD)	29 23/32" x 42 27/32" x 31 17/32"
Weight (Product/Carton)	198.4 lbs / 212.1 lbs
<b>LIMITED WARRANTY</b>	
	1 Year Parts and Labour, 3 Years on Drum, 10 Years on Direct Drive Motor
<b>UPC CODES</b>	
WM3850HVA	772454073625
DLEX3850V	772454073304
WD100CV	772454052866
WDP4V	048231015165
KSTK1	772454059896





HOME APPLIANCES

**LG LAUNDRY**

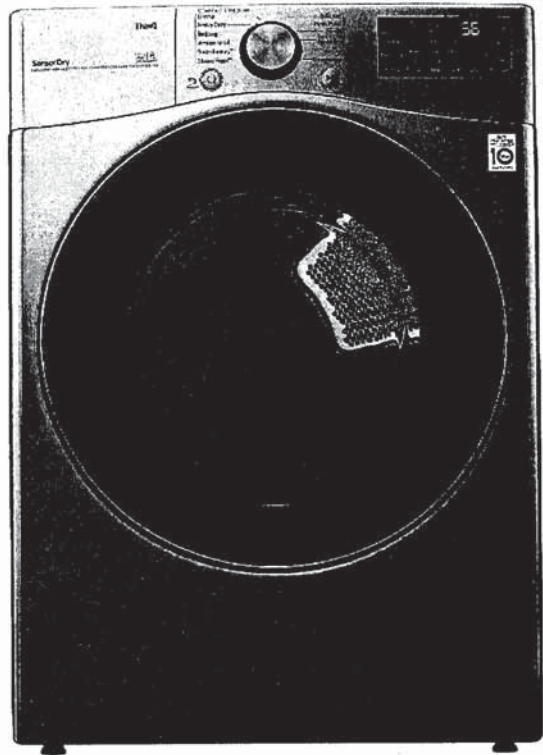
## DLEX3850V

7.4 cu.ft. Capacity Electric Dryer

- TurboSteam™ Technology
- AI Sensor Dry™
- Aluminized Alloy Steel Drum
- Touch Control Panel
- ENERGY STAR® Qualified
- ThinQ Technology (Wi-Fi Enabled)
- FlowSense™ Duct Clogging Indicator

Enjoy new ways to control your home with LG smart appliances

- Start the laundry while you're out shopping
- Get alerts when the cycle is finished
- Works with the LG ThinQ® app



<b>CAPACITY</b>	
Capacity (cu.ft.)	7.4
<b>APPEARANCE</b>	
Design Look	Front Control
Intelligent Electronic Controls with LED Display	•
Touch Buttons	•
Dial-A-Cycle™	•
<b>ENERGY</b>	
ENERGY STAR® Qualified	•
<b>DRYING PROGRAMS</b>	
No. of Programs - 12	Normal, Heavy Duty, Bedding, Anti Bacterial, SteamSanitary™, SteamFresh™, Perm Press, Delicates, Towels, Speed Dry (Manual Dry), Air Dry (Manual Dry), Downloaded
No. of Options - 12	More Time, Less Time, Damp Dry Signal, Wrinkle Care, Control Lock, Wi-Fi, Energy Saver, TurboSteam™, Reduce Static, Remote Start, Drum Light, Signal
Temperature Settings	5 High, Mid High, Medium, Low, Ultra Low
Drying Levels	5 Very, More, Normal, Less, Damp
Manual Dry Times	60 min, 50 min, 40 min, 30 min, 20 min, More Time/Less Time
<b>FABRIC CARE FEATURES</b>	
AI Sensor Dry™	•
TurboSteam™	•
Precise Temperature Control and Variable Heater	•
<b>CONVENIENCE FEATURES</b>	
3 Minute Installation Check	•
LoDecibel™ Quiet Operation	•
End of Cycle Signal	•
Drum Light	•
Reversible Door	•
FlowSense™ Duct Clogging Indicator	•
Wrinkle Care Option	•
Control Lock	•
Venting Option	Electric: 4 Way Venting
Leveling Legs	4 Adjustable Legs
Remaining Time Display/Status Indicator(s)	•

<b>ThinQ® TECHNOLOGY</b>	
SmartDiagnosis™ (v3.0)	•
Wi-Fi	•
Remote Start and Cycle Monitor	•
Energy Monitoring	•
<b>MATERIALS AND FINISHES</b>	
Aluminized Alloy Steel Drum	•
Cabinet	Painted Steel
Control Panel	Plastic
Door	Tempered Glass
All Available Colours	Graphite Steel (V)
<b>POWER SOURCE</b>	
Ratings	CSA Listed
Electrical Requirements	Electric: 240V, 30 Amps
Type	Electric
BTU Rating	10,000 ft.
<b>OPTIONS</b>	
Pedestal	WDP4V
Pedestal (WxHxD)	27" x 14 1/8" x 30 3/4"
Stacking Kit	KSTK1
<b>DIMENSIONS</b>	
Product (WxHxD)	27" x 39" x 30 1/8" 51 3/8" (With door open)
Carton (WxHxD)	29 1/2" x 42 1/4" x 31 1/4"
Weight (Product/Carton)	126.2 lbs / 139.4 lbs
<b>LIMITED WARRANTY</b>	
	1 Year Parts and Labour, 3 Years on Drum
<b>UPC CODES</b>	
WM3850HVA	772454073625
DLEX3850V	772454073304
WD100CV	772454052866
WDP4V	048231015165
KSTK1	772454059896