

**Sales Selection Sheet  
Checklist**

1 of 35

<b>LOT 3183C-17    Model: 20-2146 CRN ALT B The Upton</b> <b>PURCHASERS: NAZIRA AFTAB/</b> <b>VENDOR:        Heathwood Homes (Huron) Limited</b>
--

UPGRADE TO 8' DOORS ON MAIN FLOOR  
 OPTIONAL DOUBLE SINKS IN MASTER ENSUITE BATHROOM

- FINISHED BASEMENT
- COLD CELLAR

**UPGRADED / MODIFIED ELEVATION**

- CORNER UPGRADE
- REAR UPGRADE

**CEILING UPGRADE - SMOOTH**

- MAIN FLOOR
- SECOND FLOOR
- BASEMENT

**ADDITIONAL ROUGH-INS**

- 200 AMP SERVICE
- WET BAR ROUGH-IN
- HUMIDIFIER
- AIR CONDITIONING

**GAS ROUGH-IN**

- STOVE
- DRYER
- BBQ
- ADDITIONAL FIREPLACE

**KITCHEN: HOODFAN VENTING SIZE**

- 6 IN ROUND DUCT
- 7 IN ROUND DUCT

FULL BASEMENT STAIRS:	N/A
UPPER BASEMENT STAIRS:	All Oak
LOWER BASEMENT STAIRS:	Carpet Grade
MAIN STAIRS:	All Oak
MEDIA STAIRS (if applicable):	N/A
LOFT STAIRS (if applicable):	N/A

MARCH 2/22	<i>Signature</i>	MARCH 2/22	TINA LEFUR
Date	Purchaser:	Date	Decor Consultant:
		<b>APPROVED</b>	
	Purchaser:	-03- 02 2022	<i>M. Rosen</i>
		Date	Heathwood Homes (Huron) Limited
Locked Date:		Approved	

NAZIRA AFTAB/  
 Project: Wallaceston  
 Unit: 3183C-17, Phase: 3  
 Model: 20-2146 CRN ALT B The Upton


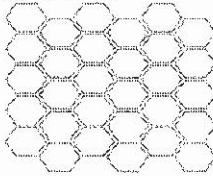
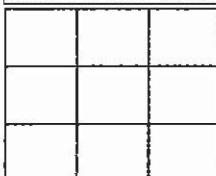
Created: 11/30/2021 09:38:06

Locked:

Closed:

2 of 35

**Kitchen**

Cabinet Colour/Style	9157	Viking III-SIMCOE-MOONLIGHT-3DL ***STD***
Countertop	8595	Group 2-Quartz-Caesarstone-OCEAN FOAM #6141-3/4 inch with built-up edge ***2***
Countertop Edge	4005	DOUBLE MITRE 1 1/2 INCH ***UPG*** 
Cabinet Hardware	2086	9677-HARDWARE ***STD***
Island Cabinet Colour/Style	9157	Viking III-SIMCOE-MOONLIGHT-3DL ***STD***
Island Countertop	8595	Group 2-Quartz-Caesarstone-OCEAN FOAM #6141-3/4 inch with built-up edge ***2***
Backsplash	8103	OD.ON.SWT.02.HEX.MT-ONTARIO HEXAGON MATTE-SNOW WHITE ***2***
Backsplash Grout	7704	Grout-(19) Pearl Gray ***STD***
Backsplash Tile Pattern	3110	HORIZONTAL HEX ***STD*** 
HoodFan	9904	YWMH31017HZ-Whirlpool Over-The-Range Microwave Hood Combination-SS-30 inch
Appliances	3110	Purchasers have been advised: standard fridge opening is a minimum 37 3/8 x 73 3/8". Ice Waterline Rough-In is included. PAGES 33-35
Appliances	3110	Standard stove opening is 30" and standard dishwasher opening is 24". Any gas stove will require backsplash or stainless steel backing to avoid fire hazards.
Appliances	3110	Purchasers acknowledge: Heathwood Homes and its contractors will not be responsible for any kitchen cabinet changes due to appliances dimension changes after
Flooring	9106	GE.MD.WHT.1818.MT Madison Series White Matte 18
Floor Tile Grout	2225	Grout-(27) Silver ***STD***
Floor Tile Pattern	3000	STANDARD SQUARE ***STD*** 

**FoyeComment**

Flooring	9106	GE.MD.WHT.1818.MT Madison Series White Matte 18
----------	------	---

NAZIRA AFTAB/  
Project: Wallaceon  
Unit: 3183C-17, Phase: 3  
Model: 20-2146 CRN ALT B The Upton

Created: 11/30/2021 09:38:06

Locked:

Closed:

3 of 35

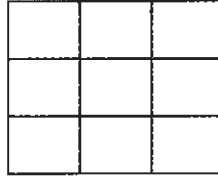


Floor Tile Grout 2225

Grout-(27) Silver \*\*\*STD\*\*\*

Floor Tile Pattern 3000

STANDARD SQUARE \*\*\*STD\*\*\*



Comment

**Laundry Room**

Flooring 9106

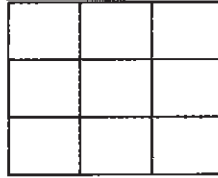
GE.MD.WHT.1818.MT Madison Series White Matte 18

Floor Tile Grout 2225

Grout-(27) Silver \*\*\*STD\*\*\*

Floor Tile Pattern 3000

STANDARD SQUARE \*\*\*STD\*\*\*



Comment

**Laundry Room Opt.**

Cabinet - Uppers 9156

Viking III-SIMCOE-RAIN CLOUD-3DL \*\*\*STD\*\*\*

Cabinet Hardware 2086

9677-HARDWARE \*\*\*STD\*\*\*

Comment

**Mud Room**

Flooring 9106

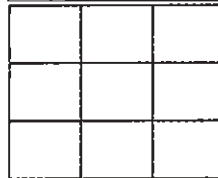
GE.MD.WHT.1818.MT Madison Series White Matte 18

Floor Tile Grout 2225

Grout-(27) Silver \*\*\*STD\*\*\*

Floor Tile Pattern 3000

STANDARD SQUARE \*\*\*STD\*\*\*



Comment



Customer Colours

388

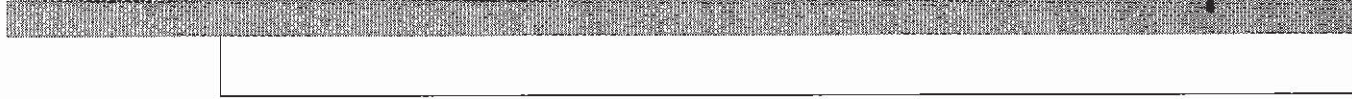
NAZIRA AFTAB/  
Project: Wallaceton  
Unit: 3183C-17, Phase: 3  
Model: 20-2146 CRN ALT B The Upton

Created: 11/30/2021 09:38:06

Locked:

Closed:

4 of 35



**Powder Room**

Flooring 9106 GE.MD.WHT.1818.MT Madison Series White Matte 18

Floor Tile Grout 2225 Grout-(27) Silver \*\*\*STD\*\*\*

Floor Tile Pattern 3000 STANDARD SQUARE \*\*\*STD\*\*\*  


Plumbing Fixture (Colour) 1737 Plumbing Fixtures-WHITE \*\*\*STD\*\*\*

Comment

**Dining Room**

Flooring 7502 Red Oak Pearl-Vintage  
Engineered-PEWTER/ECLIPSE-3/4 inch x 3 1/4 inch

Comment

**Great Room**

Flooring 7502 Red Oak Pearl-Vintage  
Engineered-PEWTER/ECLIPSE-3/4 inch x 3 1/4 inch

Comment

**Library**

Flooring 7502 Red Oak Pearl-Vintage  
Engineered-PEWTER/ECLIPSE-3/4 inch x 3 1/4 inch

Comment

**Upper Hall**

Flooring 9248 DY 89418 -Dynasty Tex-BLACK ICE-40 oz Poly\*\*\*STD \*\*\*

Comment



NAZIRA AFTAB/  
Project: Wallaceton  
Unit: 3183C-17, Phase: 3  
Model: 20-2146 CRN ALT B The Upton

Created: 11/30/2021 09:38:06

Locked:

Closed:

5 of 35

**Finished Basement (Rec) Room/Hall**

Flooring 9248 DY 89418 -Dynasty Tex-BLACK ICE-40 oz Poly\*\*\*STD\*\*\*

Comment

**Master Bedroom**

Flooring 9248 DY 89418 -Dynasty Tex-BLACK ICE-40 oz Poly\*\*\*STD \*\*\*

Comment

**Bedroom 2**

Flooring 9248 DY 89418 -Dynasty Tex-BLACK ICE-40 oz Poly\*\*\*STD \*\*\*

Comment

**Bedroom 3**

Flooring 9248 DY 89418 -Dynasty Tex-BLACK ICE-40 oz Poly\*\*\*STD \*\*\*

Comment

**Opt. Ensuite 2**

Cabinet Colour/Style 1111 N/A \*\*\*\*\*

Countertop 1111 N/A \*\*\*\*\*

Countertop Edge 1111 N/A \*\*\*\*\*

Cabinet Hardware 1111 N/A \*\*\*\*\*

Floor Tile 1111 N/A \*\*\*\*\*

Floor Tile Grout 1111 N/A \*\*\*\*\*

**Customer Colours**

388

NAZIRA AFTAB/  
 Project: Wallaceton  
 Unit: 3183C-17, Phase: 3  
 Model: 20-2146 CRN ALT B The Upton

Created: 11/30/2021 09:38:06

Locked:

Closed:

6 of 35



Ensuite 2 Tile Pattern 1111 N/A \*\*\*\*\*

Plumbing Fixture (colour) 1111 N/A \*\*\*\*\*

Shower Floor Tile 1111 N/A \*\*\*\*\*

Shower Floor Tile Grout 1111 N/A \*\*\*\*\*

Ensuite 2 Tile Pattern 1111 N/A \*\*\*\*\*

Tub Wall Tile 1111 N/A \*\*\*\*\*

Tub Wall Tile Grout 1111 N/A \*\*\*\*\*

Ensuite 2 Tile Pattern 1111 N/A \*\*\*\*\*

Shower Jamb(s) and Sill(s) 1111 N/A \*\*\*\*\*

Comment

**Master Ensuite**

Cabinet Colour/Style 9111 VIKING III SIMCOE ORCHID 3DL \*\*\*STD\*\*\*

Countertop 8796 6698-46-Countertop-PALOMA POLAR ETCHINGS  
 FINISH-Formica \*\*\*STD\*\*\*

Countertop Edge 1111 N/A \*\*\*\*\*

Cabinet Hardware 2093 9671-HARDWARE \*\*\*STD\*\*\*

Floor Tile 9104 GE.MD.ANT.1818.MT Madison Series Antracite Matte 18

Floor Tile Grout 7704 Grout-(19) Pearl Gray \*\*\*STD\*\*\*

Floor Tile Pattern 3000 STANDARD SQUARE \*\*\*STD\*\*\*

--	--	--



NAZIRA AFTAB/  
 Project: Wallaceon  
 Unit: 3183C-17, Phase: 3  
 Model: 20-2146 GRN ALT B The Upton

Created: 11/30/2021 09:38:06

Locked:

Closed:

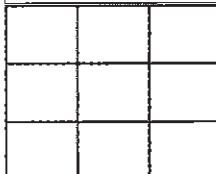
7 of 35



Shower Floor Tile 8661 OD.ON.SWT.0202.MT.N-Ontario Series Mosaic-Snow White Matte-2 x 2 \*\*\*STD\*\*\*

Shower Floor Tile Grout 2226 Grout-(00) White \*\*\*STD\*\*\*

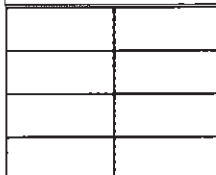
Shower Floor Tile Pattern 3000 STANDARD SQUARE \*\*\*STD\*\*\*



Shower Wall Tile 9020 QT.WV.WHT.0810-Weave-White-8 x 10 \*\*\*STD\*\*\*

Shower Wall Tile Grout 2226 Grout-(00) White \*\*\*STD\*\*\*

Shower Wall Tile Pattern 3070 HORIZONTAL STACKED \*\*\*STD\*\*\*



Shower Jamb(s) and Sill(s) 8923 Shower Jamb / Sill-Thassos White \*\*\*STD\*\*\*

Plumbing Fixture (colour) 1737 Plumbing Fixtures-WHITE \*\*\*STD\*\*\*

Comment

**Main Bathroom**

Cabinet Colour/Style 9158 Viking III-SIMCOE-NAVY BLUE-3DL \*\*\*STD\*\*\*

Countertop 8796 6698-46-Countertop-PALOMA POLAR ETCHINGS FINISH-Formica \*\*\*STD\*\*\*

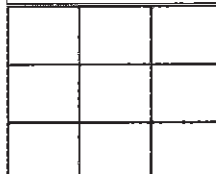
Countertop Edge 1111 N/A \*\*\*\*\*

Cabinet Hardware 2093 9671-HARDWARE \*\*\*STD\*\*\*

Flooring 9106 GE.MD.WHT.1818.MT Madison Series White Matte 18

Floor Tile Grout 2225 Grout-(27) Silver \*\*\*STD\*\*\*

Floor Tile Pattern 3000 STANDARD SQUARE \*\*\*STD\*\*\*



**Customer Colours**

388


NAZIRA AFTAB/  
 Project: Wallaceon  
 Unit: 3183C-17, Phase: 3  
 Model: 20-2146 CRN ALT B The Upton

Created: 11/30/2021 09:38:06

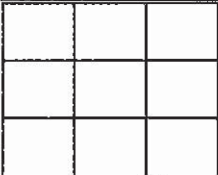
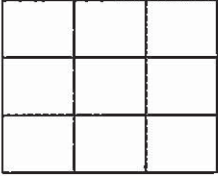
Locked:

Closed:

8 of 35

Tub Wall Tile	9020	QT.WV.WHT.0810-Weave-White-8 x 10 ***STD***
Tub Wall Tile Grout	2226	Grout-(00) White ***STD***
Tub Wall Tile Pattern	3070	HORIZONTAL STACKED ***STD*** 
Plumbing Fixture (Colour)	1737	Plumbing Fixtures-WHITE ***STD***
Comment		

**Finished Basement Bathroom**

Cabinet Colour/Style	9157	Viking III-SIMCOE-MOONLIGHT-3DL ***STD***
Countertop	8796	6698-46-Countertop-PALOMA POLAR ETCHINGS FINISH-Formica ***STD***
Countertop Edge	1111	N/A *****
Cabinet Hardware	2086	9677-HARDWARE ***STD***
Flooring	9106	GE.MD.WHT.1818.MT Madison Series White Matte 18
Floor Tile Grout	2225	Grout-(27) Silver ***STD***
Floor Tile Pattern	3000	STANDARD SQUARE ***STD*** 
Shower Floor Tile	8661	OD.ON.SWT.0202.MT.N-Ontario Series Mosaic-Snow White Matte-2 x 2 ***STD***
Shower Floor Tile Grout	2226	Grout-(00) White ***STD***
Shower Floor Tile Pattern	3000	STANDARD SQUARE ***STD*** 
Shower Wall Tile	9020	QT.WV.WHT.0810-Weave-White-8 x 10 ***STD***
Shower Wall Tile Grout	2226	Grout-(00) White ***STD***



NAZIRA AFTAB/  
 Project: Wallaceton  
 Unit: 3183C-17, Phase: 3  
 Model: 20-2146 GRN ALT B The Upton

Created: 11/30/2021 09:38:06

Locked:

Closed:

9 of 35



Shower Wall Tile Pattern            3070            HORIZONTAL STACKED \*\*\*STD\*\*\*  


Shower Jamb(s)                        8923            Shower Jamb / Sill-Thassos White \*\*\*STD\*\*\*

Plumbing Fixture (Colour)            1737            Plumbing Fixtures-WHITE \*\*\*STD\*\*\*

Comment

**Great Room Fireplace**

Type                                        8865            Dimplex-Electric Fireplace-PF3033HL \*\*\*STD\*\*\*

Mantle                                      8891            NF-17-Paint Grade Mantle- Cabinet (Per Plan)-WHITE \*\*\*STD\*\*\*  
PAGE 22

Surround Opt.                            1111            N/A \*\*\*\*\*

Disclaimer                                3110            Purchasers have been advised: heat from the FP can damage TV above a FP and items placed on mantle.

Disclaimer                                3110            Heathwood and its contractors will not be liable for any damage on items placed/installed above a FP after closing.

Comment

**Basement Stairs**

Type                                        1714            Carpet Grade Stairs \*\*\*STD BASEMENT STAIRS\*\*\*

Colour                                       1111            N/A \*\*\*\*\*

Carpet Runner                            1111            N/A \*\*\*\*\*

Handrail/Pickets/Post Type            9119            Handrail only on closed walls (one or two sides per building code) \*\*\*STD\*\*\*

Handrail/Pickets/Post Colours        1729            Carpet Grade-Stain handrail, pickets, stringers, nosing\_pos

Carpet                                       9248            DY 89418 -Dynasty Tex-BLACK ICE-40 oz Poly\*\*\*STD\*\*\*

Custom Stain/Paint                    1111            N/A \*\*\*\*\*

Comment



NAZIRA AFTAB/  
 Project: Wallaceon  
 Unit: 3183C-17, Phase: 3  
 Model: 20-2146 CRN ALT B The Upton

Created: 11/30/2021 09:38:06

Locked:

Closed:

10 of 35

**Main Stairs**

Type	1712	Oak Stairs ***STD MAIN STAIRS***
Colour	7922	Eclipse (Pewter) STAIN TO COMPLIMENT HARDWOOD AND WILL VARY FROM FLOORING ***99***
Carpet Runner	1111	N/A *****
Handrail/Pickets/Posts Type	7652	1 5/16 inch Square pickets with 3 1/2" Square/Cap Post(s)-ALL OAK ***STD***
Handrail/Pickets/Posts Colour	1728	Oak Grade-Stain handrail,oak pickets,stringers,treads,risers
Custom Stain/Paint	1111	N/A *****

Comment

**Main Stairs Landing(s)**

Flooring	7502	Red Oak Pearl-Vintage Engineered-PEWTER/ECLIPSE-3/4 inch x 3 1/4 inch
----------	------	---

Comment

**Throughout**

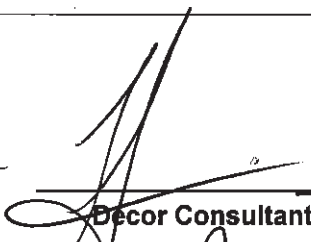

Walls - Paint Colour	1717	22-Wall-WARM GREY ***STD***
Underpad	1079	500 Series-Underpad ***STD***
Thresholds	2232	Metal Thresholds ***STD***
Switches and Plug	5796	Decora White Switches and Plugs ***STD***
Trim Size	8705	4 1/4 Baseboard and 2 3/4 Casings ***STD***
Trim - Paint Colour	1716	Trim-WHITE ***STD***


Comment

Purchaser:

  
 NAZIRA AFTAB

1/6/22  
 Date

  
 Decor Consultant  


1/6/22  


-03- 0 2 2022



## CONSTRUCTION SUMMARY

**Lot: 3183C-17**  
**Model: 20-2146 CRN ALT B The Upton**  
**Project/Phase: Wallaceton / 3**

Offer	Five Thousand Dollars (\$5,000) at D?cor. (No Cash Value) Townhomes
Worksheet	Note:

Offer	Opt.4 Bedroom 2nd Floor (The Upton) -ALT PLAN
Worksheet	Note:



## CONSTRUCTION SUMMARY

Lot: 3183C-17  
 Model: 20-2146 CRN ALT B The Upton  
 Project/Phase: Wallaceton / 3

### ADMIN FEE

Invoice	Qty.	Description
943 02Mar22 NoCat	1	- FIVE THOUSAND DOLLARS ( \$5,000) AT DECOR (NO CASH VALUE)

### APPLIANCES

Invoice	Qty.	Description
943 313,492 02Mar22	1	KITCHEN - APPLIANCES - WHIRLPOOL OTR SS - YWMH31017HZ SPEC PAGES 33-35  <b>CABINETRY - notification; HEATING/AIR CONDITIONING - Duct Size change to 6"</b>

### CABINETRY

Invoice	Qty.	Description
943 313,492 02Mar22 **	1	KITCHEN - APPLIANCES - WHIRLPOOL OTR SS - YWMH31017HZ SPEC PAGES 33-35  <b>CABINETRY - notification; HEATING/AIR CONDITIONING - Duct Size change to 6"</b>
943 313,904 02Mar22	1	KITCHEN - 19B-45cm wide pull-out door base cabinet waste/recycle centre with soft-close ([2] 35L bins per unit) (available only with 45cm wide cabinet) Viking  KITCHEN - SINK AND DISHWASHER TO BE MOVED OVER TO ACCOMODATE RECYCLE DRAWER. REMAINING DOOR TO BE ADJUSTED SKETCH # 3
943 307,369 02Mar22	1	LAUNDRY ROOM - CABINETRY - VIKING I/II/III - OPT. LAUNDRY ROOM UPPERS - UPG  SKETCH # 3 AND 4
943 02Mar22 NoCat	1	KITCHEN - KITCHEN - RELOCATE STANDARD BANK OF DRAWERS TO RIGHT SIDE OF STOVE TO ACCOMODATE RECYCLE DRAWER ON THE ISLAND SKETCH # 3
943 313,976 02Mar22	1	- 25A-COMBO: Upper angle corner per unit with glass door and finished interior (specify clear, frosted, or smoked glass) Viking  KITCHEN - GLASS TO BE SMOKE <b>DRYWAL-Notify; FRAMING-Modify Bulkhead; PAINTING-Notify</b>
943 334,723 02Mar22 **	1	MASTER ENSUITE - PLUMBING - OPTION FROM ONE SINK TO DOUBLE SINKS INCLUDING STD CHATEAU FAUCET OVERMOUNT COLONY SINK ONE EXTRA VANITY LIGHT AND CABINET CONVERSION 2D VIKING  SKETCH # 3 AND 4 <b>CABINETRY-2D Convert Cabinetry Viking; Eletrical-Additional Vanity Light</b>
943 313,652 02Mar22	1	KITCHEN - 05H-66cm deep fridge enclosure (counter depth) with no walls ([2] 66cm deep gables and [1] 66cm deep cabinet) (This is not a zero clearance enclosure. Standard heights and widths will be used.) Viking  SKETCH # 3 <b>DRYWAL-Notify; FRAMING-Modify Bulkhead; PAINTING-Notify</b>



## CONSTRUCTION SUMMARY

Lot: 3183C-17  
 Model: 20-2146 CRN ALT B The Upton  
 Project/Phase: Wallaceton / 3

## CERAMICS

Invoice Qty. Description

943 310,335 02Mar22	1	- CERAMICS - BACKSPLASH - KITCHEN - UPGRADE 2
943 310,379 02Mar22	1	- CERAMICS - FLOOR - KITCHEN - UPGRADE 1
943 310,356 02Mar22	1	- CERAMICS - FLOOR - FOYER - UPGRADE 1
943 310,407 02Mar22	1	- CERAMICS - FLOOR - POWDER ROOM - UPGRADE 1
943 310,363 02Mar22	1	- CERAMICS - FLOOR - GARAGE ENTRY - UPGRADE 1
943 310,349 02Mar22	1	- CERAMICS - FLOOR - ENSUITE MASTER - UPGRADE 1
943 310,393 02Mar22	1	- CERAMICS - FLOOR - MAIN BATHROOM - UPGRADE 1
943 310,342 02Mar22	1	- CERAMICS - FLOOR - BASEMENT BATHROOM - UPGRADE 1
943 310,386 02Mar22	1	- CERAMICS - FLOOR - LAUNDRY ROOM - UPGRADE 1



## CONSTRUCTION SUMMARY

**Lot: 3183C-17**  
**Model: 20-2146 CRN ALT B The Upton**  
**Project/Phase: Wallaceton / 3**

### DRYWALL

Invoice	Qty.	Description
943 314,346 02Mar22 **	4	- INTERIOR TRIM - UPGRADE FROM STANDARD 6 FT 8 INCH 2 PANEL HOLLOW CORE SINGLE DOOR TO 8 FT 2 PANEL HOLLOW CORE SINGLE DOOR SKETCH # 2  MAIN FLOOR DOORS - POWDER ROOM, HALL CLOSET, GARAGE ENTRY CLOSET, BASEMENT DOOR <b>FRAMING-Notify;DRYWALL-Notify;PAINTING-paint upgraded door and frame</b>
943 314,345 02Mar22 **	1	LIBRARY - INTERIOR TRIM - UPGRADE FROM STANDARD 6 FT 8 INCH TO 8 FT FRENCH DOOR TYPE B DOUBLE DOOR - CLEAR GLASS  LIBRARY SKETCH # 2 AND SPEC PAGE 21 <b>FRAMING-Notify;DRYWALL-Notify;PAINTING-paint upgraded door and frame</b>
943 313,976 02Mar22 **	1	- 25A-COMBO: Upper angle corner per unit with glass door and finished interior (specify clear, frosted, or smoked glass) Viking  KITCHEN - GLASS TO BE SMOKE <b>DRYWAL-Notify; FRAMING-Modify Bulkhead; PAINTING-Notify</b>
943  02Mar22 ** NoCat	1	- 6 PANEL 8 FT STEEL MANDOOOR TO GARAGE SKETCH # 2  <b>FRAMING-Notify;DRYWALL-Notify;PAINTING-paint upgraded door and frame</b>
943 313,652 02Mar22 **	1	KITCHEN - 05H-66cm deep fridge enclosure (counter depth) with no walls ([2] 66cm deep gables and [1] 66cm deep cabinet) (This is not a zero clearance enclosure. Standard heights and widths will be used.) Viking  SKETCH # 3 <b>DRYWAL-Notify; FRAMING-Modify Bulkhead; PAINTING-Notify</b>

### ELECTRICAL

Invoice	Qty.	Description
943 313,492 02Mar22 **	1	KITCHEN - APPLIANCES - WHIRLPOOL OTR SS - YWMH31017HZ SPEC PAGES 33-35  <b>CABINETRY - notification; HEATING/AIR CONDITIONING - Duct Size change to 6"</b>
943 314,223 02Mar22	3	- ELECTRICAL - ADDITIONAL SWITCH  1) 1X IN BASEMENT REC ROOM WITH EXISITNG CEILING LIGHT CLOSEST TO STAIRS;2) 1X WITH GREAT ROOM CAPPED ELECTRICAL ON CEILING; 3) 1X WITH CAPPED ELETRICAL CENTERED +/- OVER ISLAND SKETCH #'S 1 AND 2
943 314,224 02Mar22	2	- ELECTRICAL - CEILING ROUGH-IN (CAPPED)  1) 1X CENTERED +/- ON GREAT ROOM CEILING ON SEPERATE SWITCH; 2) 1X CENTERED +/- ON ISLAND ON SEPERATE SWITCH. SEE SKETCH # 2
943 314,232 02Mar22	1	GREAT ROOM - ELECTRICAL - EXTRA WALL INTERIOR OUTLET ON EXISTING CIRCUIT (DOES NOT INCLUDE KITCHEN OUTLETS)  1X TO BE CENTERED ABOVE THE FIREPLACE IN THE GREAT ROOM APPROX. 70" +/- FROM THE FLOOR SKETCH # 2
943 334,723 02Mar22 **	1	MASTER ENSUITE - PLUMBING - OPTION FROM ONE SINK TO DOUBLE SINKS INCLUDING STD CHATEAU FAUCET OVERMOUNT COLONY SINK ONE EXTRA VANITY LIGHT AND CABINET CONVERSION 2D VIKING  SKETCH # 3 AND 4 <b>CABINETRY-2D Convert Cabinetry Viking; Eletrical-Additional Vanity Light</b>



## CONSTRUCTION SUMMARY

Lot: 3183C-17  
 Model: 20-2146 CRN ALT B The Upton  
 Project/Phase: Wallaceton / 3

### FRAMING

Invoice	Qty.	Description
943 314,346 02Mar22 **	4	- INTERIOR TRIM - UPGRADE FROM STANDARD 6 FT 8 INCH 2 PANEL HOLLOW CORE SINGLE DOOR TO 8 FT 2 PANEL HOLLOW CORE SINGLE DOOR SKETCH # 2  MAIN FLOOR DOORS - POWDER ROOM, HALL CLOSET, GARAGE ENTRY CLOSET, BASEMENT DOOR <b>FRAMING-Notify; DRYWALL-Notify; PAINTING-paint upgraded door and frame</b>
943 314,345 02Mar22 **	1	LIBRARY - INTERIOR TRIM - UPGRADE FROM STANDARD 6 FT 8 INCH TO 8 FT FRENCH DOOR TYPE B DOUBLE DOOR - CLEAR GLASS  LIBRARY SKETCH # 2 AND SPEC PAGE 21 <b>FRAMING-Notify; DRYWALL-Notify; PAINTING-paint upgraded door and frame</b>
943 313,976 02Mar22 **	1	- 25A-COMBO: Upper angle corner per unit with glass door and finished interior (specify clear, frosted, or smoked glass) Viking  KITCHEN - GLASS TO BE SMOKE <b>DRYWAL-Notify; FRAMING-Modify Bulkhead; PAINTING-Notify</b>
943  02Mar22 ** NoCat	1	- 6 PANEL 8 FT STEEL MANDOOOR TO GARAGE SKETCH # 2  <b>FRAMING-Notify; DRYWALL-Notify; PAINTING-paint upgraded door and frame</b>
943 313,652 02Mar22 **	1	KITCHEN - 05H-66cm deep fridge enclosure (counter depth) with no walls ([2] 66cm deep gables and [1] 66cm deep cabinet) (This is not a zero clearance enclosure. Standard heights and widths will be used.) Viking  SKETCH # 3 <b>DRYWAL-Notify; FRAMING-Modify Bulkhead; PAINTING-Notify</b>

### GRANITE

Invoice	Qty.	Description
943 311,315 02Mar22	1	- GRANITE - COUNTERTOP - 3/4 INCH GROUP 2 WITH MITRE EDGE - KITCHEN / ISLAND - UPG

### HEATING / AIR CONDITIONING

Invoice	Qty.	Description
943 313,492 02Mar22 **	1	KITCHEN - APPLIANCES - WHIRLPOOL OTR SS - YWMH31017HZ SPEC PAGES 33-35  <b>CABINETRY - notification; HEATING/AIR CONDITIONING - Duct Size change to 6"</b>

### INTERIOR TRIM AND DOORS

Invoice	Qty.	Description
943 314,346 02Mar22	4	- INTERIOR TRIM - UPGRADE FROM STANDARD 6 FT 8 INCH 2 PANEL HOLLOW CORE SINGLE DOOR TO 8 FT 2 PANEL HOLLOW CORE SINGLE DOOR SKETCH # 2  MAIN FLOOR DOORS - POWDER ROOM, HALL CLOSET, GARAGE ENTRY CLOSET, BASEMENT DOOR <b>FRAMING-Notify; DRYWALL-Notify; PAINTING-paint upgraded door and frame</b>
943 314,345 02Mar22	1	LIBRARY - INTERIOR TRIM - UPGRADE FROM STANDARD 6 FT 8 INCH TO 8 FT FRENCH DOOR TYPE B DOUBLE DOOR - CLEAR GLASS  LIBRARY SKETCH # 2 AND SPEC PAGE 21 <b>FRAMING-Notify; DRYWALL-Notify; PAINTING-paint upgraded door and frame</b>
943  02Mar22 NoCat	1	- 6 PANEL 8 FT STEEL MANDOOOR TO GARAGE SKETCH # 2  <b>FRAMING-Notify; DRYWALL-Notify; PAINTING-paint upgraded door and frame</b>



## CONSTRUCTION SUMMARY

Lot: 3183C-17  
 Model: 20-2146 CRN ALT B The Upton  
 Project/Phase: Wallaceton / 3

### PAINTING

Invoice	Qty.	Description
943 314,346 02Mar22 **	4	- INTERIOR TRIM - UPGRADE FROM STANDARD 6 FT 8 INCH 2 PANEL HOLLOW CORE SINGLE DOOR TO 8 FT 2 PANEL HOLLOW CORE SINGLE DOOR SKETCH # 2  MAIN FLOOR DOORS - POWDER ROOM, HALL CLOSET, GARAGE ENTRY CLOSET, BASEMENT DOOR <b>FRAMING-Notify; DRYWALL-Notify; PAINTING-paint upgraded door and frame</b>
943 314,345 02Mar22 **	1	LIBRARY - INTERIOR TRIM - UPGRADE FROM STANDARD 6 FT 8 INCH TO 8 FT FRENCH DOOR TYPE B DOUBLE DOOR - CLEAR GLASS  LIBRARY SKETCH # 2 AND SPEC PAGE 21 <b>FRAMING-Notify; DRYWALL-Notify; PAINTING-paint upgraded door and frame</b>
943 313,976 02Mar22 **	1	- 25A-COMBO: Upper angle corner per unit with glass door and finished interior (specify clear, frosted, or smoked glass) Viking  KITCHEN - GLASS TO BE SMOKE <b>DRYWAL-Notify; FRAMING-Modify Bulkhead; PAINTING-Notify</b>
943  02Mar22 ** NoCat	1	- 6 PANEL 8 FT STEEL MANDOOR TO GARAGE SKETCH # 2  <b>FRAMING-Notify; DRYWALL-Notify; PAINTING-paint upgraded door and frame</b>
943 313,652 02Mar22 **	1	KITCHEN - 05H-66cm deep fridge enclosure (counter depth) with no walls ([2] 66cm deep gables and [1] 66cm deep cabinet) (This is not a zero clearance enclosure. Standard heights and widths will be used.) Viking  SKETCH # 3 <b>DRYWAL-Notify; FRAMING-Modify Bulkhead; PAINTING-Notify</b>

### PLUMBING

Invoice	Qty.	Description
943 334,723 02Mar22	1	MASTER ENSUITE - PLUMBING - OPTION FROM ONE SINK TO DOUBLE SINKS INCLUDING STD CHATEAU FAUCET OVERMOUNT COLONY SINK ONE EXTRA VANITY LIGHT AND CABINET CONVERSION 2D VIKING  SKETCH # 3 AND 4 <b>CABINETRY-2D Convert Cabinetry Viking; Eletrical-Additional Vanity Light</b>



UK 3 WALLACETON  
LOT 3183C-17  
20-2146 CRN ALT ELEV B  
THE UPTON

17 of 35

# THE UPTON

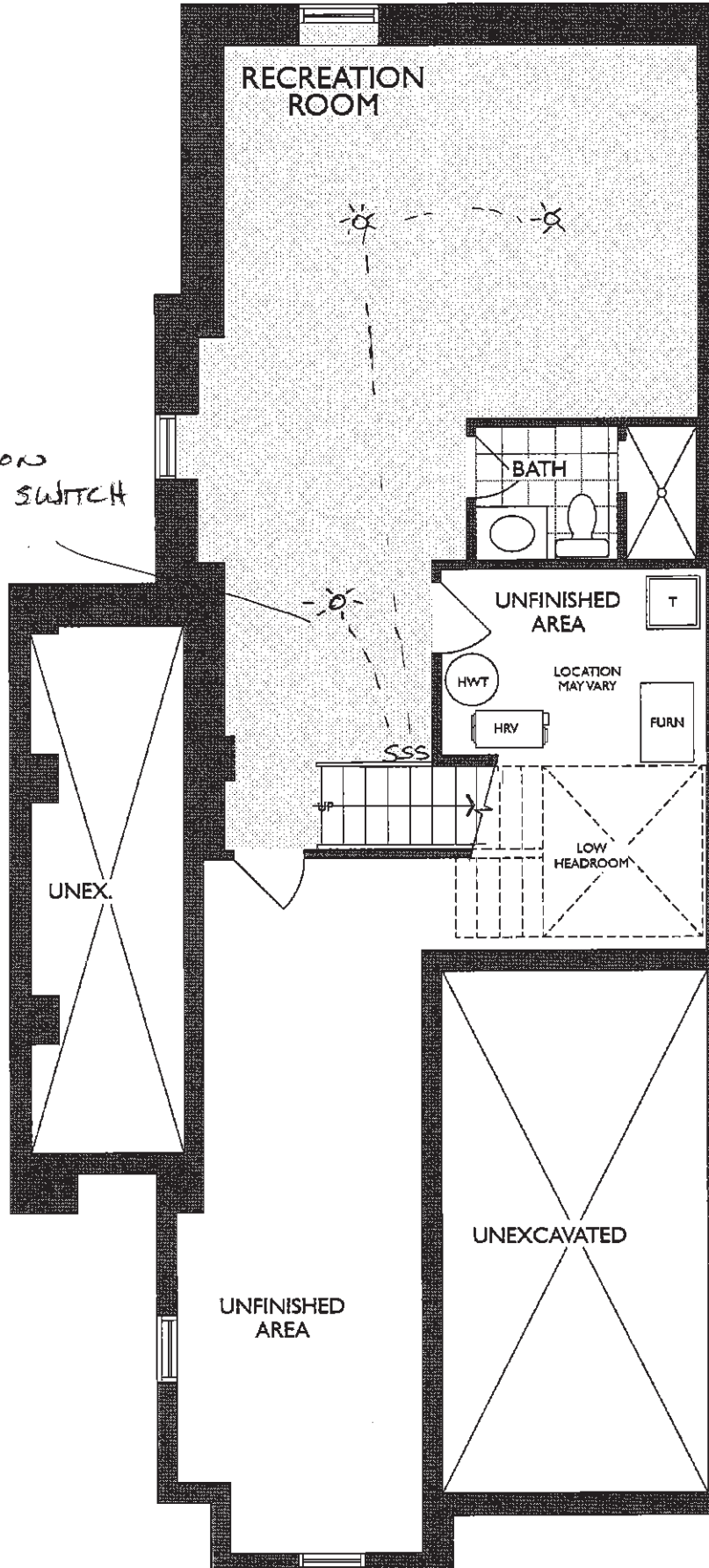
ELEVATION B | 2,700 SQ. FT.  
Includes 540 sq. ft. of Finished Lower Level

20-2146 CRN ALT ELEV. B

WALLACETON  
EST. 1870

Sketch #1

STD LIGHT ON  
SEPERATE SWITCH



N-A

LOWER LEVEL  
ELEVATION B

Legal Plan Dec. 3, 2020

UK 3 WALLACETON  
LOT 3183C-17  
20-2146 CRN ALT ELEV B  
THE UPTON

18 of 35

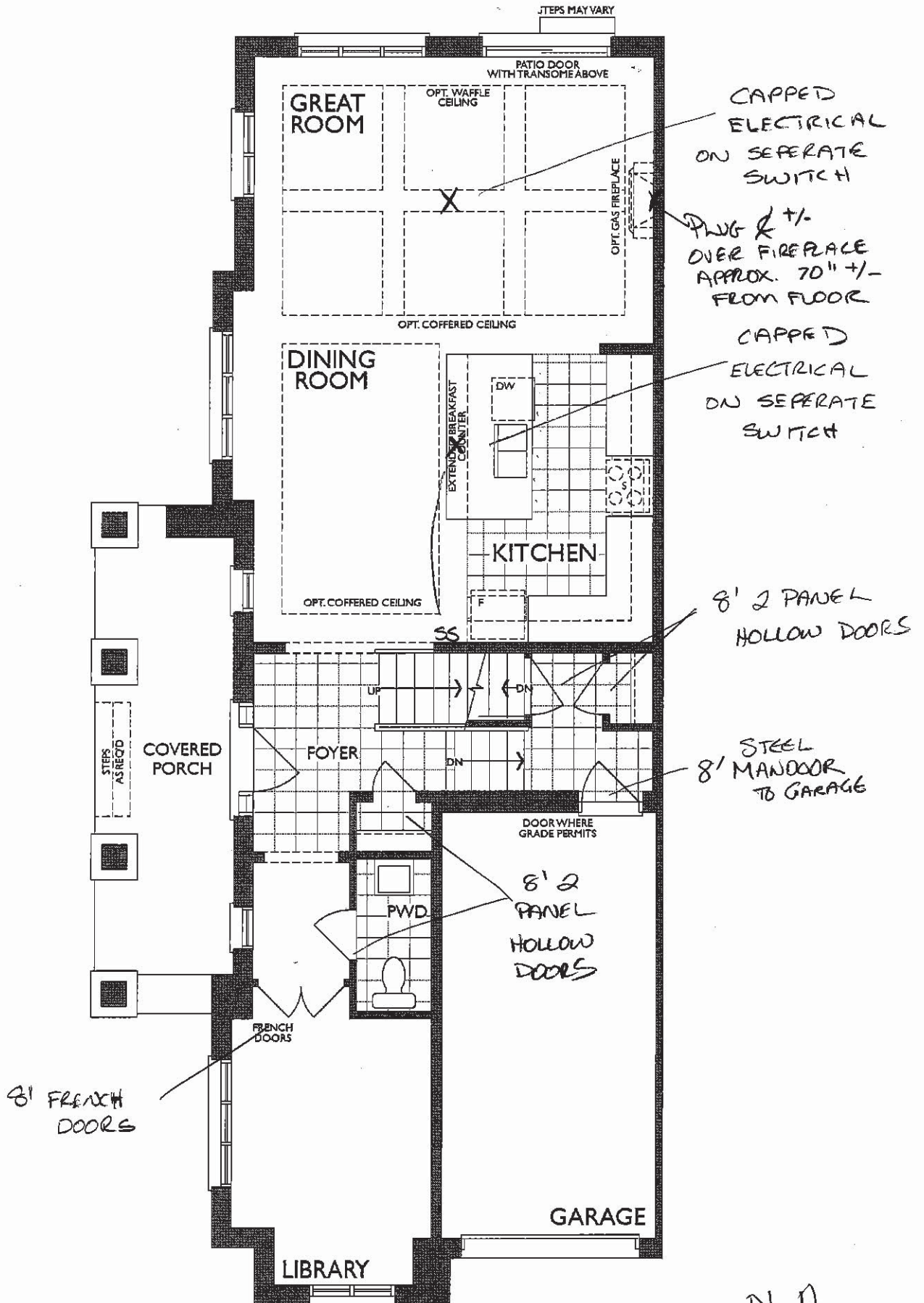
# THE UPTON

ELEVATION B | 2,700 SQ. FT.  
Includes 540 sq. ft. of Finished Lower Level

20-2146 CRN ALT ELEV. B

WALLACETON  
EST. 1870

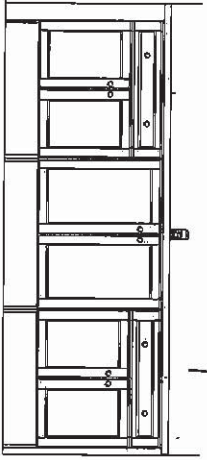
Sketch #2



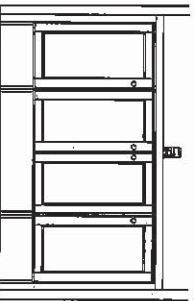
MAIN FLOOR  
ELEVATION B

NA

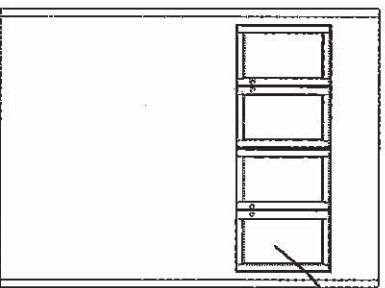
UK 3 WALLACETON  
 LOT 3183C-17  
 20-2146 CRN ALT ELEV B  
 THE UPTON



MASTER ENSUITE  
 (2ND FLR) DOUBLE SINKS

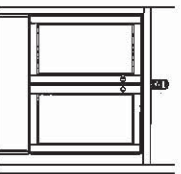


MAIN BATH  
 (2ND FLR)



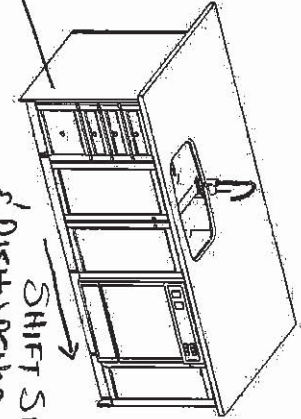
OPT. LAUNDRY UPPERS  
 (2ND FLR)

Yes

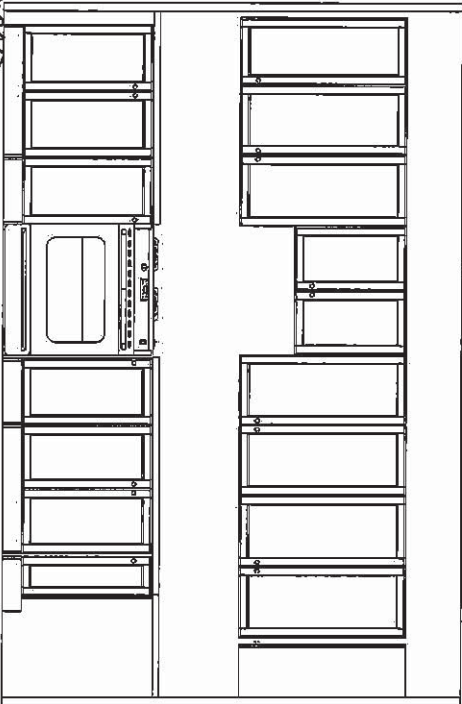


STD. BASEMENT BATH

106 CORNER) ALTERNATE 2ND FLOOR - ELEV. A



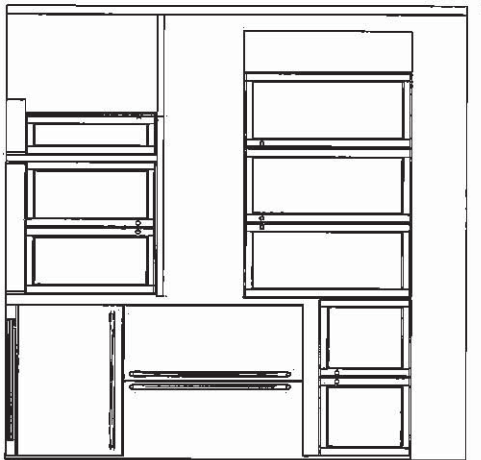
2 BIN RECYCLE DRAWER  
 1' DISHWASHER AS REQUIRED  
 SHIFT SINK



RELOCATE BANK OF DRAWERS

Sketch

MICROWAVE # HOODFAN #



KITCHEN  
 (GROUND FLOOR)

UPPER RANGE

DEEP FREEZE UPPER

19 of 35

\*ELEV. A STD



FRENDEL\*  
 KITCHENS LIMITED  
 1350 Shawson Drive, Mississauga, ON L4W 1G5

HEATHWOOD HOMES  
 WALLACETON, KITCHENER ON  
 MODEL: 20-2146 (ALT 2006 CRN)

STANDARD CONTRACT INCLUDES:

Appliance Openings

- Hood Opening: 30" W Std. hood
- Fridge Opening: 37 3/8" W X 73 3/8" H
- 30cm deep cabinet over fridge
- Stove Opening: 30" Freestanding
- Dishwasher Opening: 24"

Standard Kitchens Scope:

- 100cm H wall cabinets
- Std. Blumotion Hinges - **soft close**
- Std. Metabox Drawers - **not soft close**
- Min 40cm W drawer
- Base pie cut corner cabinets
- Backing on all cabinets
- Countertop by others
- Upgrade applied paneled fridge & dishwashers supply only (appliance hardware by others)

Standard Vanity & Laundry Scope:

- Powder by others, pedestal
- All vanities include laminate counter
- Std. Blum Hinges - **not soft close**
- Tandem Box Drawers - **soft close**
- Master Ensuite: Top drawers (Full height doors at sink)
- Mains: Full height doors (top drawers added if Masters can't accommodate)
- Optional laundry base & wall cabinets

THIS DRAWING IS FOR DESIGN PURPOSES ONLY.  
 IT IS NOT AN EXACT RENDITION.

UK 3 WALLACETON  
LOT 3183C-17  
20-2146 CRN ALT ELEV B  
THE UPTON

20 of 35

# THE UPTON

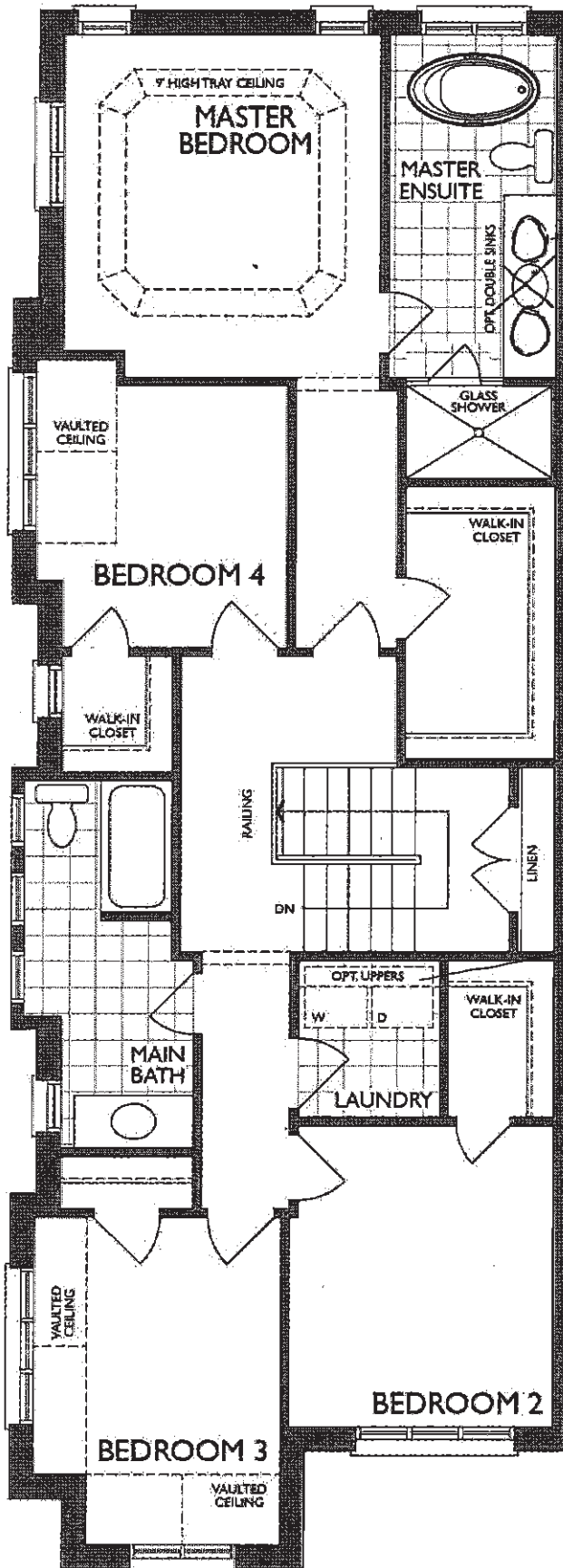
ELEVATION B | 2,700 SQ. FT.

Includes 540 sq. ft. of Finished Lower Level

WALLACETON  
EST. 1870

Sketch # 4

20-2146 CRN ALT ELEV. B



OPTIONAL DOUBLE SINKS

OPTIONAL LAUNDRY UPPERS

ALT. SECOND FLOOR - 4 BEDROOMS  
ELEVATION B

N-A  
Legal Plan Dec. 3, 2020

UK 3 WALLACETON  
LOT 3183C-17  
20-2146 CRN ALT ELEV B  
THE UPTON

21 of 35

SCHEDULE 'B'

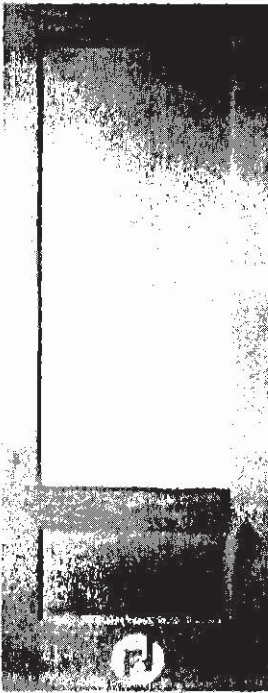
HEATHWOOD HOMES PROJECT #: 075  
(HURON)  
LIMITED

SUBCONTRACTOR: Tony's Carpentry Limited

DATE: May 19, 2021  
CONTRACT # 1270 Addendum #4  
PAGE #: 8

**OPTIONAL EXTRA TO CONTRACT (HST EXTRA)**

OPTION A



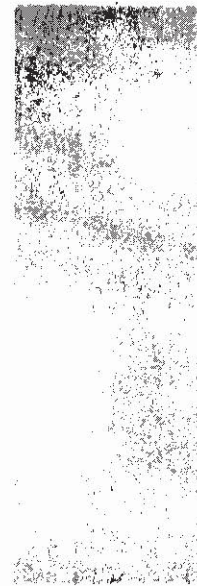
Single Pane Tempered  
Glass with a 12" Panel and  
an overall 24" bottom panel

OPTION B



15 panes French  
door with wood mullions

OPTION C

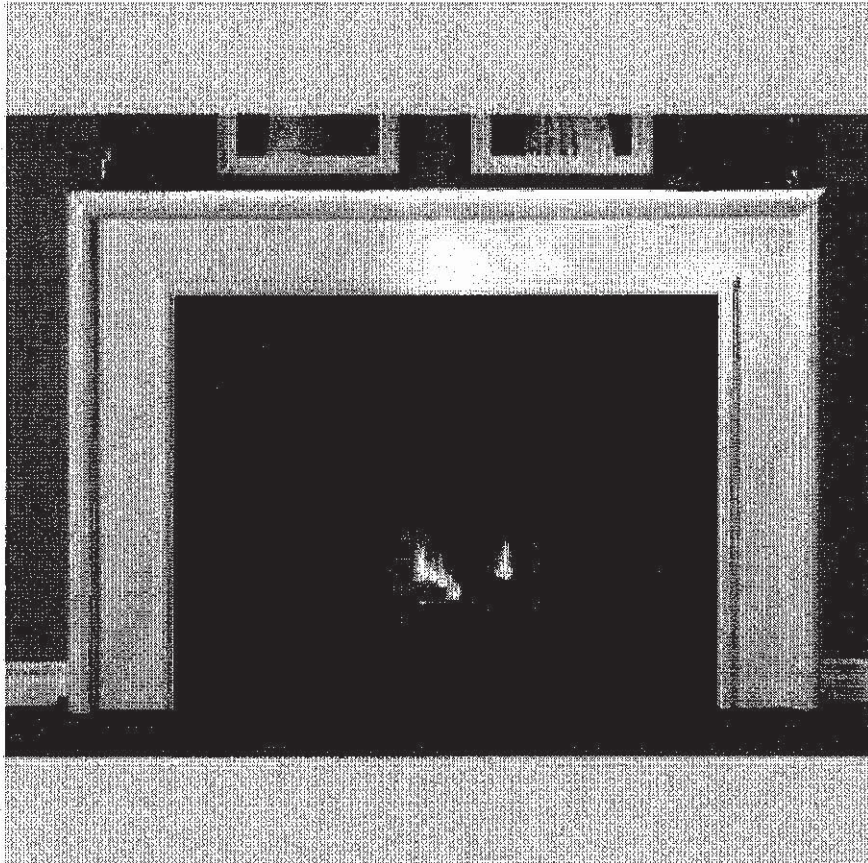


Full Single Pane  
glass door with a  
bottom rail of approx. 9"

8' DOUBLE FRENCH DOORS  
MAIN FLOOR LIBRARY

UK 3 WALLACETON  
LOT 3183C-17  
20-2146 CRN ALT ELEV B  
THE UPTON

22 of 35



**NEAS NF17 Mantel**

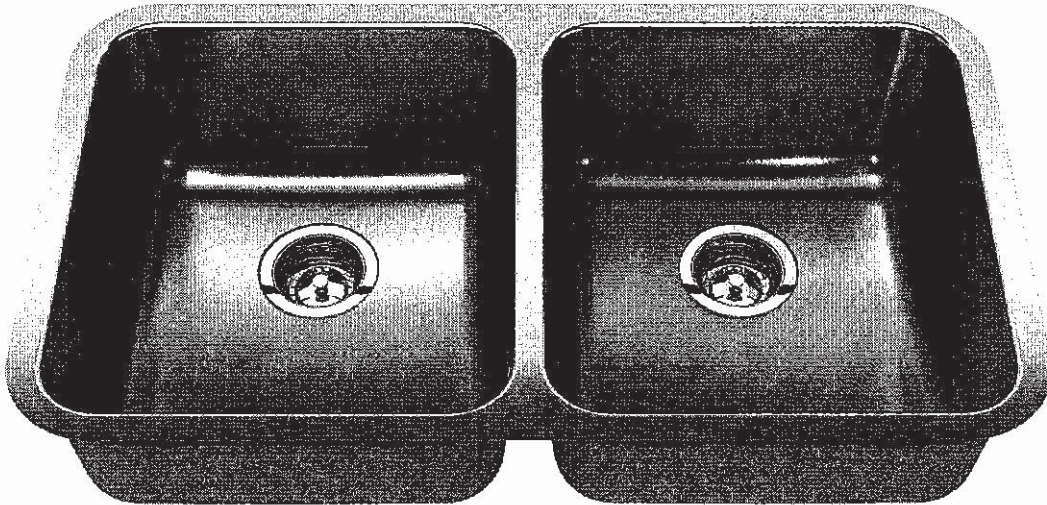
N.A

UK 3 WALLACETON  
 LOT 3183C-17  
 20-2146 CRN ALT ELEV B  
 THE UPTON

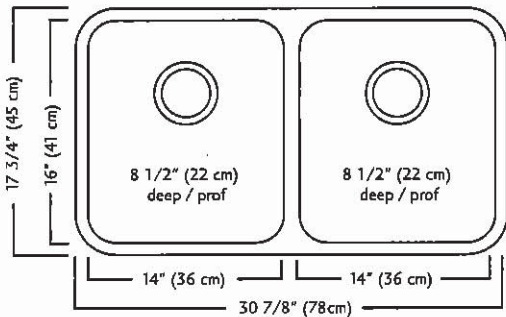
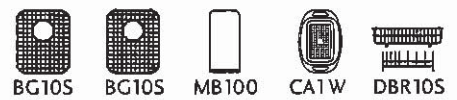
23 of 35

*Reginox*

ND1831UA/9



Optional Accessories



### ND1831UA/9 SPECIFICATION

Model ND1831UA/9 is a double (two equal size) bowl undermount sink manufactured by Franke Kindred Canada Limited from 18 gauge stainless steel. Product has silk finished rims and linear brush finished bowls. Sink is fully undercoated. Basket strainer waste fittings (3 1/2", 89 mm) are included. Sink is backed with a limited lifetime warranty.

- O.D. 17 3/4" x 30 7/8" x 8 1/2" (45 x 78 x 22 cm)
- **Recommended for minimum 36" cabinet**

Franke Kindred Canada Limited  
 P.O. Box 190, 1000 Franke Kindred Road, Midland, Ontario, Canada, L4R 4K9 Phone: 866-687-7465 Fax: 800-361-8408

N.A

UK 3 WALLACETON  
 LOT 3183C-17  
 20-2146 CRN ALT ELEV B  
 THE UPTON

24 of 35

**MOEN®**

There is more than 1 version of this model.  
 Page down to identify the version you have.

**FAUCET DESCRIPTION**

- Reflex™ pulldown system offers smooth operation, easy movement and secure docking
- Power Clean™ spray technology
- Metal construction with various finishes identified by suffix
- Duralock™ connect installation
- Pulldown spray with 68" braided hose
- Flexible supply lines with 3/8" compression fittings
- High arc spout provides height and reach to fill or clean large pots while pulldown wand provides the maneuverability for cleaning or rinsing
- 360° rotating spout
- Faucet designed for handle to be mounted on right side only

**OPERATION**

- Lever style handle
- Temperature controlled by 100° arc of handle travel
- Operates with less than 5 lbs. of force
- Operates in stream or spray mode in the pullout or retracted position

**FLOW**

- Flow is limited to 1.5 gpm (5.7 L/min) max at 60 psi

**CARTRIDGE**

- 1255™ Duralast™ cartridge

**STANDARDS**

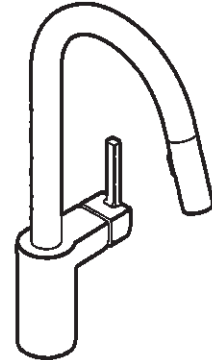
- Third party certified to IAPMO Green, ASME A112.18.1/CSA B125.1 and all applicable requirements therein including NSF 61/9G & 372
- Meets CalGreen and Georgia SB370 requirements
- Complies with California Proposition 65 and with the Federal Safe Drinking Water Act
- The backflow protection system in the device consists of two independently operating check valves, a primary and a secondary which prevent backflow

- ADA  for lever handle

**WARRANTY**

- Lifetime limited warranty against leaks, drips and finish defects to the original homeowner
  - 10 year limited warranty when used in a multifamily installation
  - 5 year limited warranty when used in a commercial installation
- Visit [www.moen.com/support](http://www.moen.com/support) for complete details and limitations

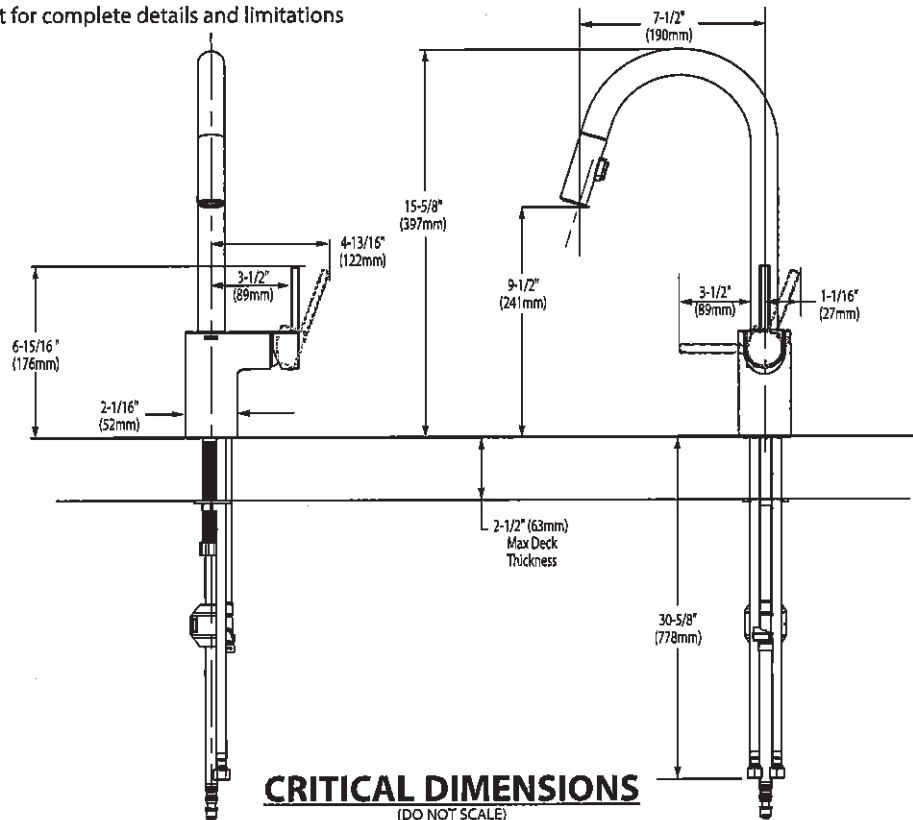
**Specifications**



**ALIGN™**  
 Single Handle High Arc  
 Pulldown Kitchen Faucet

**Models:** 7565 series

**NOTE:** THIS FAUCET IS DESIGNED TO BE INSTALLED THROUGH 1 HOLE, 1-1/2" (38mm) MIN. DIA. (OPTIONAL 3-HOLE ESCUTCHEON 141002 AVAILABLE)



N.A



UK 3 WALLACETON  
LOT 3183C-17  
20-2146 CRN ALT ELEV B  
THE UPTON

25 of 35

*American  
Standard*

BARRIER FREE (ABOVE COUNTER OR DROP-IN ONLY)

**BOULEVARD®  
PEDESTAL SINK**  
VITREOUS CHINA

**BOULEVARD® PEDESTAL SINK**

- 0641.800 Faucet holes on 8" (203mm) centers (Illustrated)
- 0641.400 Faucet holes on 4" (102mm) centers
- 0641.100 Center hole only
  - Classic styled rectangular pedestal lavatory
  - Vitreous china
  - Rear overflow
  - Supplied with mounting kit
  - Right Height® for greater comfort during use
  - Faucet ledge with large deck area (faucet not included)
  - **Design coordinates with Boulevard® Toilet**
  - Basin has flat bottom to also allow use as an **above counter sink** or a **drop-in sink** (with u-shaped cut out)

**Nominal Dimensions:**

24" x 19" x 35-1/2"  
(610 x 483 x 902mm)

- 0641.008 Pedestal top-8" (203mm) centers
- 0641.004 Pedestal top-4" (102mm) centers
- 0641.001 Pedestal top-center hole only
- 0010.000 Pedestal only

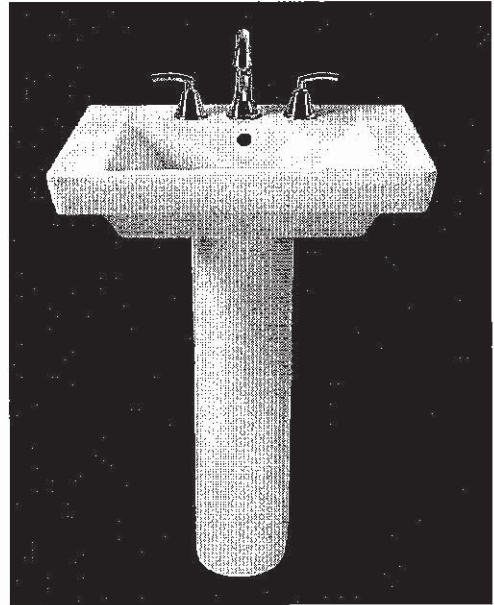
**Bowl sizes:**

17" (432mm) wide,  
12-1/2" (318mm) front to back,  
5" (127mm) deep

**Compliance Certifications -**

**Meets or Exceeds the Following Specifications:**

- ASME A112.19.2 - 2008/CSA B45.1-08



SEE REVERSE FOR ROUGHING-IN DIMENSIONS

**To Be Specified:**

- Color:  White  Linen
- Faucet Finish:
- Supplies:
- 1-1/4" Trap:
- Nipple:

\* See faucet section for additional models available

N.A

UK 3 WALLACETON  
 LOT 3183C-17  
 20-2146 CRN ALT ELEV B  
 THE UPTON

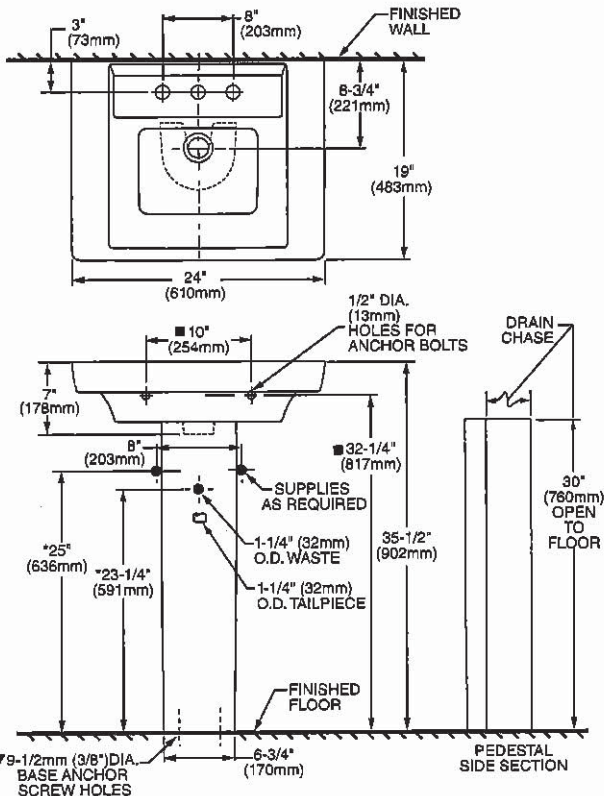
26 of 35

American Standard

BOULEVARD®  
 PEDESTAL SINK  
 VITREOUS CHINA

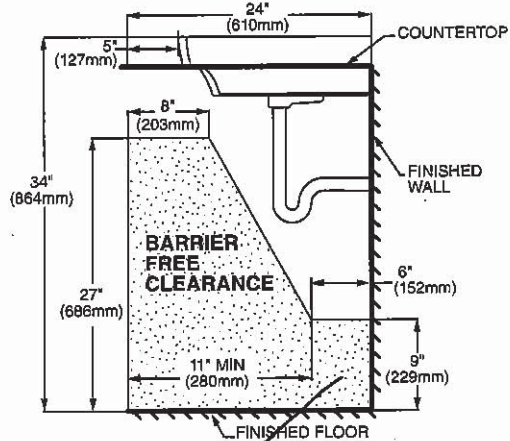
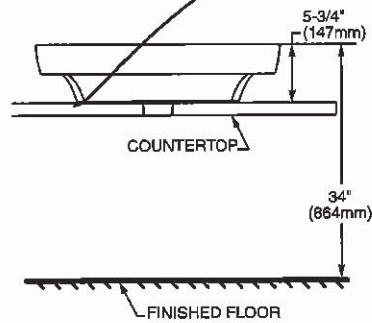
♿ BARRIER FREE (ABOVE COUNTER OR DROP-IN ONLY)

TOP VIEW (ALL THREE CONFIGURATIONS)



PEDESTAL CONFIGURATION  
 (NOT ADA COMPLIANT)

ABOVE COUNTER CONFIGURATION



DROP-IN SINK CONFIGURATION



ABOVE COUNTER AND DROP-IN SINK CONFIGURATIONS MEET THE AMERICANS WITH DISABILITIES ACT GUIDELINES AND ANSI A117.1 ACCESSIBLE AND USABLE BUILDINGS AND FACILITIES - CHECK LOCAL CODES.

Top of sink installed at 34" (864mm) height from finished floor.  
 Sink installed 5" (127mm) minimum from front edge of countertop.  
 Provide 27" (686mm) knee clearance area.

- NOTES:**  
 \* DIMENSIONS SHOWN FOR LOCATION OF SUPPLIES AND "P" TRAPS ARE SUGGESTED.  
 ▼ PEDESTAL ANCHORING SCREWS NOT INCLUDED.  
 ■ SUITABLE FOR REINFORCEMENT ONLY. ACTUAL DIMENSIONS MUST BE TAKEN FROM FIXTURE.  
 FITTING NOT INCLUDED AND MUST BE ORDERED SEPARATELY.  
 PROVIDE SUITABLE REINFORCEMENT FOR ALL WALL SUPPORTS.  
 INSTALLATION INSTRUCTIONS SUPPLIED WITH LAVATORY.

**IMPORTANT:** Dimensions of fixtures are nominal and may vary within the range of tolerance established by ANSI Standard A112.19.2. These measurements are subject to change or cancellation. No responsibility is assumed for use of superseded or voided pages.

N-A

UK 3 WALLACETON  
 LOT 3183C-17  
 20-2146 CRN ALT ELEV B  
 THE UPTON

27 of 35

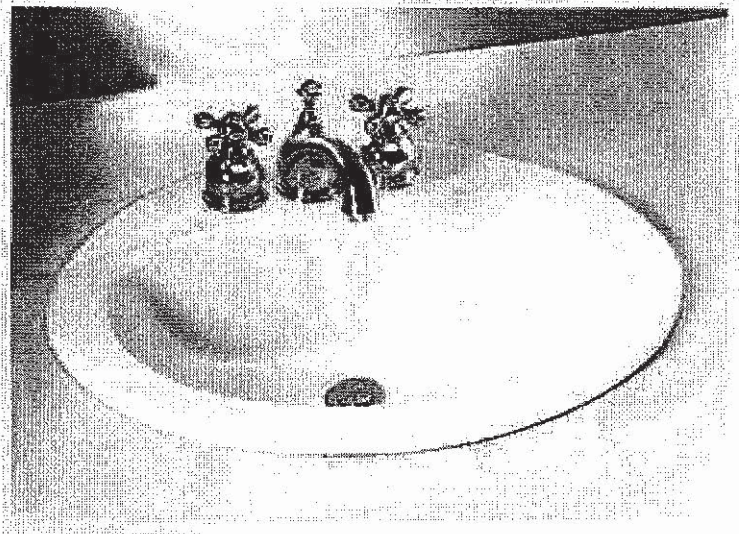
*American Standard*

**COLONY™  
 COUNTERTOP SINK**  
 VITREOUS CHINA

**BARRIER FREE**

**COLONY COUNTERTOP SINK**

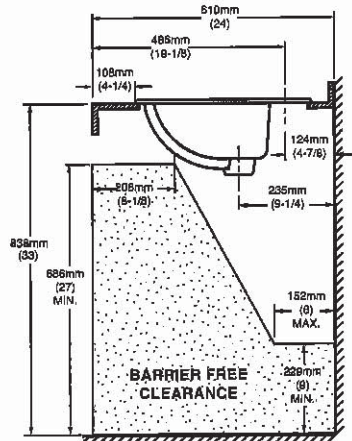
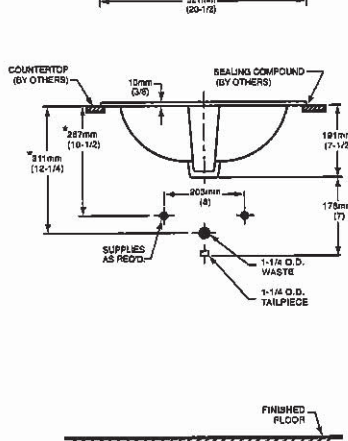
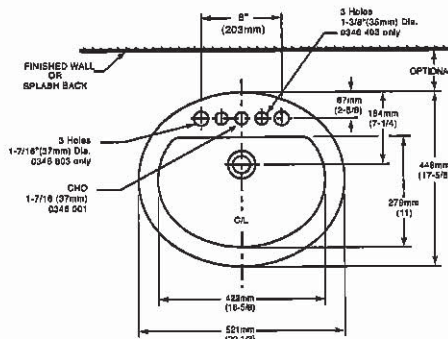
- Vitreous china
- Self-rimming
- Front overflow
- Supplied with template
- Faucet deck  
 (Faucet shown not included)



- 0346 803**  
 Faucet holes on 203mm (8") centres
- 0346 403 (Illustrated)**  
 Faucet holes on 102mm (4") centres
- 0346 001**  
 Centre hole only

Nominal Dimensions:  
 521 x 448mm (20-1/2" x 17-5/8")

Bowl sizes:  
 422mm (16-5/8") wide, 279mm (11") front to back, 143mm (5-5/8") deep



**COMPLIANCE CERTIFICATIONS –**  
 Meets or exceeds the following Specifications:  
 • ASME A112.19.2M for Vitreous China Fixtures.  
 • CAN/CSA B45 Series.

- To Be Specified
- Colour:  White  Bone  Silver Gray  
 Linen
  - Faucet\*:
  - Faucet Finish:
  - Supplies & Stops:
  - Trap 1-1/4" (32 mm):

**NOTES:**  
 \* DIMENSIONS SHOWN FOR LOCATION OF SUPPLIES AND "P" TRAP ARE SUGGESTED. FOR COUNTERTOP CUTOUT AND INSTALLATION INSTRUCTIONS USE TEMPLATE SUPPLIED WITH SINK.  
 FAUCETS NOT INCLUDED AND MUST BE ORDERED SEPARATELY.  
 IMPORTANT: Dimensions of fixtures are nominal and may vary within the range of tolerances established by ANSI Standard A112.19.2.  
 These measurements are subject to change or cancellation. No responsibility is assumed for use of superseded or voided pages.

\* See faucet section for additional models available

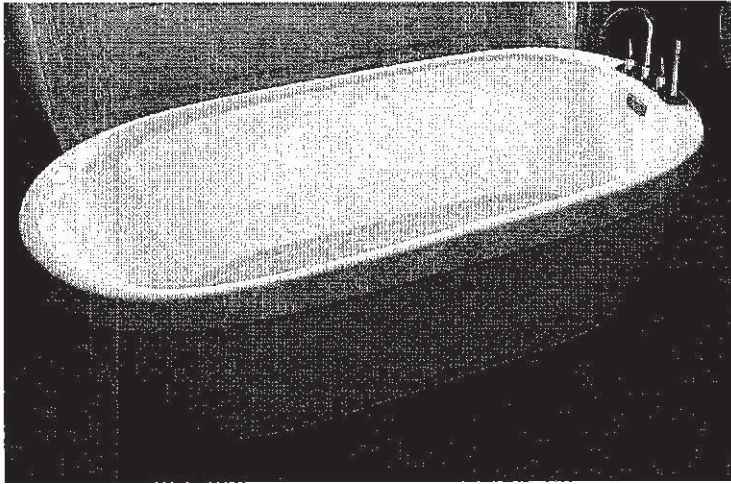
N.A

UK 3 WALLACETON  
 LOT 3183C-17  
 20-2146 CRN ALT ELEV B  
 THE UPTON

28 of 35



DEMI™  
 Product Specification Sheet



Two Piece Freestanding Collection

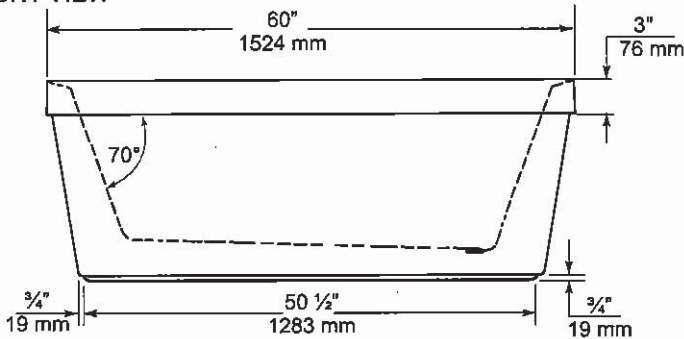
CF2007	Two Piece Freestanding Soaker
Size:	60" x 32" x 22" 1524 mm x 813 mm x 559 mm

PRODUCT FEATURES & BENEFITS

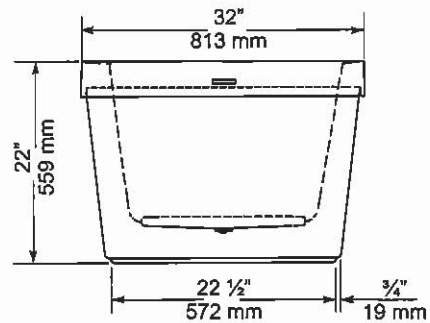
- Vacuum formed acrylic reinforced with fiberglass
- Scratch, stain and fade resistant high gloss finish
- Installation friendly two piece design
- Accepts deck mounted faucet
- Includes integral pop up drain and rectangular overflow
- Includes levelling feet

TWO PIECE ASSEMBLY

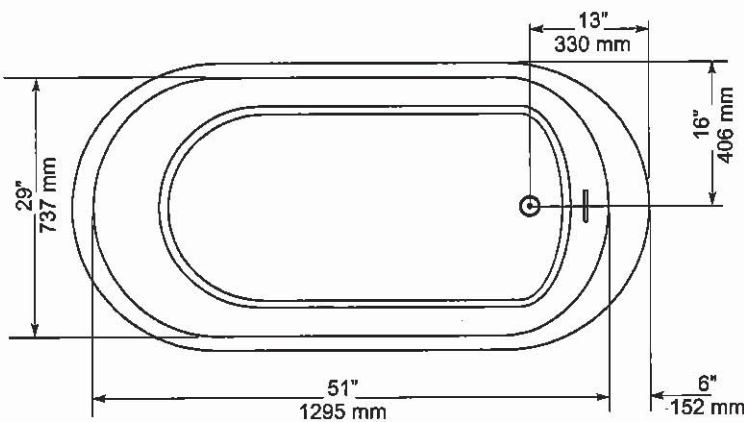
FRONT VIEW



END VIEW



TOP VIEW



GENERAL SPECIFICATIONS		
Average Weight	90 lb	41 kg
Bathing Well at bottom	43"x 20"	1092 x 508 mm
Capacity Drain to Overflow		195 litres
Water Depth Drain to Overflow	16"	406 mm
Drain Opening (dia.)	2"	51 mm
Overflow Opening	2 1/2"x 1/4"	57 x 13 mm
Drain to Floor Clearance	3 1/2"	83 mm

NOTES: Please confirm measurements on actual product to ensure proper identification. Bathtub to be installed on the floor supported by 5 self levelling feet. Adjust if required to level the bathtub for adequate drainage. Refer to installation instructions for additional information.

IMPORTANT: Dimensions of fixtures are nominal and may vary ± 1/4" (6 mm). Weight may vary ± 5 lb (2.3 kg). Drawing is not to scale. These measurements are subject to change at manufacturer's discretion.

Compliance Certifications -

Meets or Exceeds the following Specifications:

- CAN/CSA - B45 Series



mirolin. 60 Shorncliffe Rd., Toronto, Ontario M8Z 5K1  
 Telephone: 416.231.9030 Fax: 416.231.0929  
 www.mirolin.com

Customer Service: 416.231.5790  
 Canada, U.S.A.: 800.MIROLIN(647-6546)  
 Fax, Canada: 800.463.2236

R0084162  
 25 Sep. 2018

N.A

*American Standard*  
 Style That Works Better

**FloWise™ DUAL FLUSH  
 ELONGATED TOILET**

VITREOUS CHINA

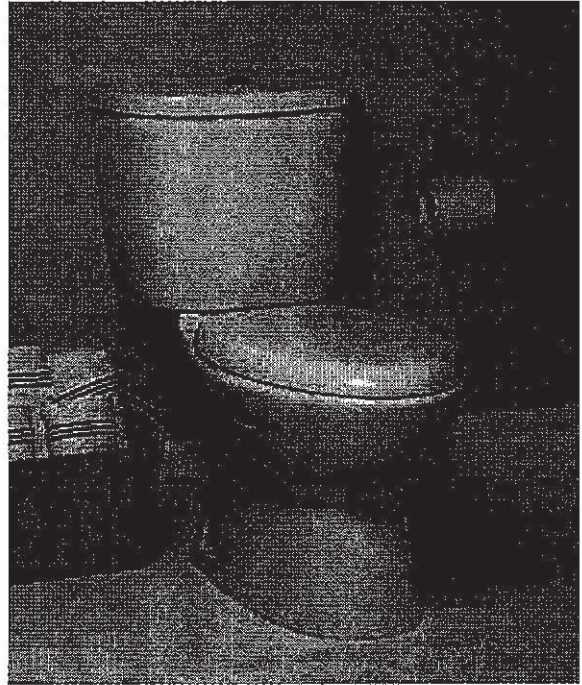
**FloWise™ DUAL FLUSH ELONGATED TOILET**

**2476 216**

- Vitreous china
- Low-consumption Dual Flush  
 Full flush 6.0 Lpf/1.3 gpf,  
 Partial flush 3.0 Lpf/0.66 gpf.
- Elongated wash down bowl
- Internal trapway fully-glazed,  
 2-1/4" (57mm) ballpass
- Concealed trapway bowl
- Chrome-plated top mounted  
 push button actuator
- Easy to clean sanitary dam on bowl
- Includes Elongated Slow Close Seat
- 100% factory flush tested
- 2 bolt caps

**Separate Component Parts:**

- 3067 316** Elongated Bowl with Slow Close Seat
- 4035 216** Unlined Tank



**2476 516** Same as above with Lined tank

- 3067 316** Elongated Bowl
- 4035 516** Lined Tank

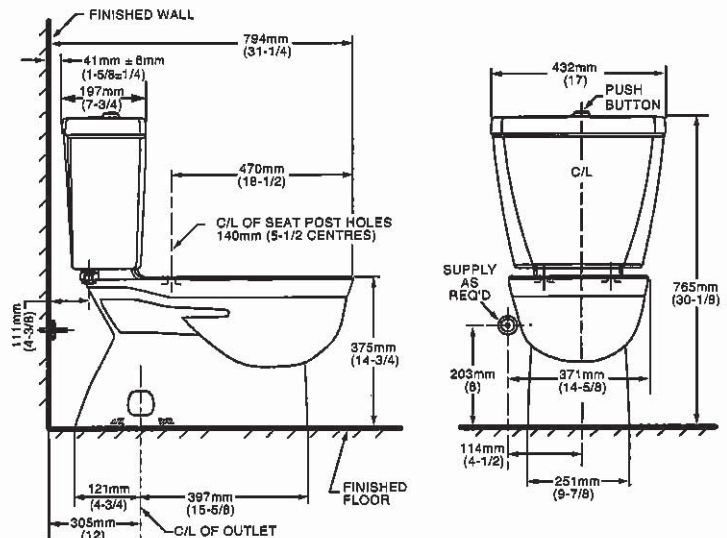
Nominal Dimensions:  
 794 x 432 x 765mm  
 (31-1/4" x 17" x 30-1/8")

**Compliance Certifications -  
 Meets or Exceeds the Following Specifications:**

- ASME A112.19.2M (and 19.6M)
- CAN/CSA B45 series

To Be Specified

- Colour: 020 White
- Supply with stop:



**NOTES:**

THIS TOILET IS DESIGNED TO ROUGH-IN AT A MINIMUM DIMENSION OF 305MM (12") FROM FINISHED WALL TO C/L OF OUTLET.  
 SUPPLY NOT INCLUDED WITH FIXTURE AND MUST BE ORDERED SEPARATELY.  
 \* DIMENSION SHOWN FOR LOCATION OF SUPPLY IS SUGGESTED.  
 FOR ADDITIONAL INFORMATION REFER TO INSTALLATION INSTRUCTIONS SUPPLIED.  
 IMPORTANT: Dimensions of fixtures are nominal and may vary within the range of tolerance established by ANSI Standard A112.19.2  
 These measurements are subject to change or cancellation. No responsibility is assumed for use of superseded or voided pages.

**UPGRADED VALUE ADDED FEATURES AT NO EXTRA CHARGE**

N.A

UK 3 WALLACETON  
 LOT 3183C-17  
 20-2146 CRN ALT ELEV B  
 THE UPTON

30 of 35

**MOEN®**

**Specifications**

There is more than 1 version of this model.  
 Page down to identify the version you have.

**DESCRIPTION**

- Metal construction with various finishes identified by suffix
- Flexible supplies with 3/8" compression fittings
- Includes metal or 50/50 pop-up type waste assembly where noted

**OPERATION**

- Pivot action lever style handle
- Temperature controlled through 100° degree arc of handle travel


**FLOW**

- Water usage is limited to these maximum flow rates as indicated by the corresponding product markings
- ° 1.2 gpm max (4.5L/min) at 60 psi
- ° 1.5 gpm max (5.7L/min) at 60 psi

**CARTRIDGE**

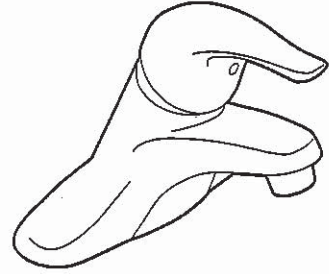
- 1255™ Duralast™ cartridge
- Nonmetallic/nonferrous and stainless steel material

**STANDARDS**

- Third party certified to WaterSense®, ASME A112.18.1/CSA B125.1 and all applicable requirements referenced therein
- Certified to NSF 61/9 & 372
- Products marked with 1.2 gpm are compliant with California water efficiency regulations
- Complies with California Proposition 65 and with the Federal Safe Drinking Water Act
- ADA  for lever handle

**WARRANTY**

- Lifetime limited warranty against leaks, drips and finish defects to the original consumer purchaser
- 5 year warranty if used in commercial installations



**CHATEAU®  
 Single-Handle Lavatory Faucet**

**with Metal Waste Assembly**

Model: L4625 series  
 L4631BC

**Bulk Packed (12 per carton):  
 L64624 series**

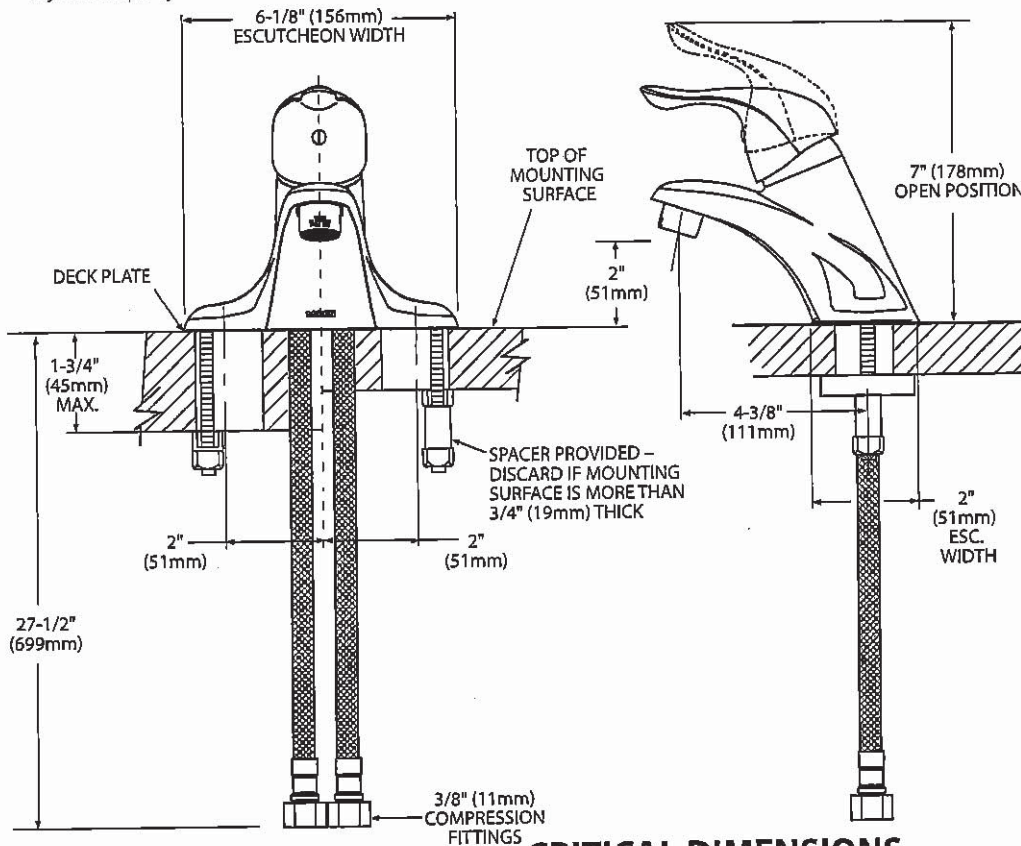
**with 50/50 Waste Assembly**

**Bulk Packed (12 per carton):  
 L64625 series**

**Less Waste**

**Bulk Packed (12 per carton):  
 L64600 series**

**NOTE: THIS FAUCET IS DESIGNED TO BE  
 INSTALLED THRU 3-1" DIA. HOLES, 2" ON CENTER**



**CRITICAL DIMENSIONS**  
 (DO NOT SCALE)

**FOR MORE INFORMATION CALL: 1-800-BUY-MOEN**

[www.moen.com](http://www.moen.com)

Rev. 8/15

N.A

UK 3 WALLACETON  
 LOT 3183C-17  
 20-2146 CRN ALT ELEV B  
 THE UPTON

31 of 35



Buy it for looks. Buy it for life.®

## Specifications



### CHATEAU® POSI-TEMP® Single-Handle Tub/Shower Trim Kit

#### DESCRIPTION

- Metal construction with various finishes identified by suffix
- Includes non-metallic showerhead, arm, flange and non-metallic diverter tub spout

#### OPERATION

- Handle operates counterclockwise through a 270° arc with off at 6 o'clock and maximum hot at the 9 o'clock position. Shut off in clockwise direction
- Adjustable temperature limit stop to control maximum hot water temperature
- Pressure balancing mechanism maintains selected discharge temperature to ± 3°

#### FLOW

- Showerhead is limited to 2.5 gpm (9.5 L/min) at 80 psi
- EP suffix models are limited to 1.75 gpm (6.6 L/min) at 80 psi
- NH suffix models contain no showerhead

#### CARTRIDGE

- 1222 cartridge design
- Accommodates back to back installations
- Nonmetallic/nonferrous and stainless steel material

#### STANDARDS

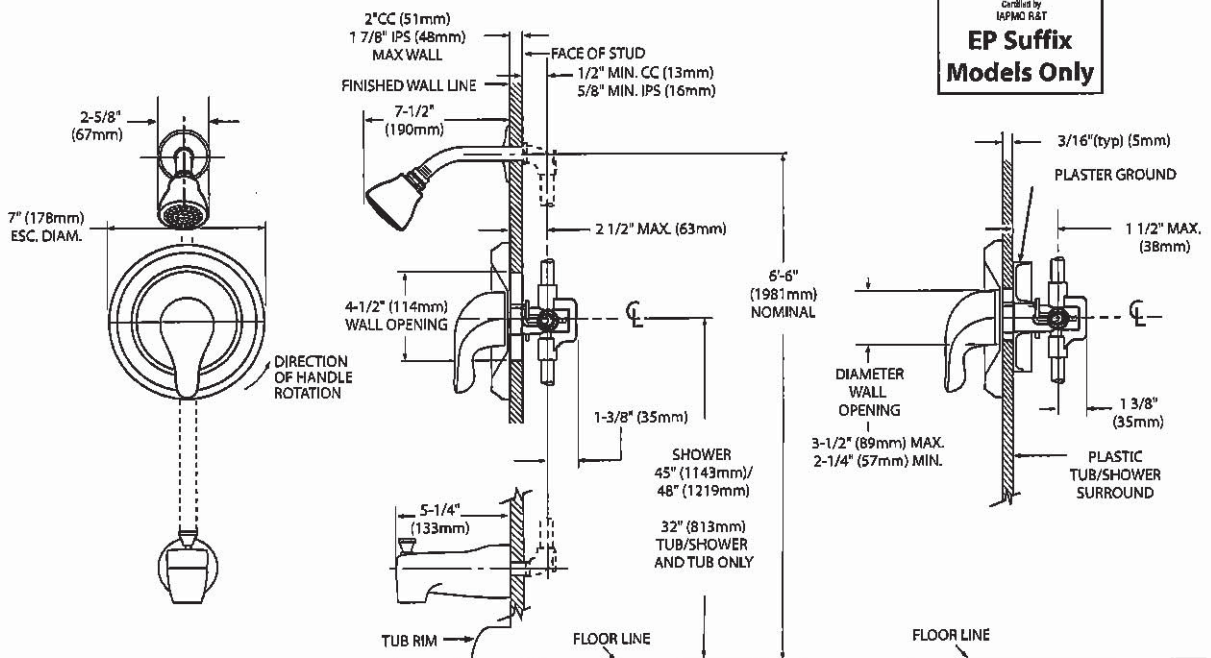
- Third party certified to meet ASME A112.18.1/CSA B125.1 and all applicable requirements referenced therein
- EP suffix models are third party certified to WaterSense®
- ADA ♿ for lever handle

#### WARRANTY

- Lifetime limited warranty against leaks, drips and finish defects to the original consumer purchaser
- 5 year warranty if used in commercial installations

- Models:** TL181 series - valve trim only  
 (Bulk Packed 12 per carton)  
 TL182 series - shower trim only  
 (Bulk Packed 12 per carton)  
 TL183 series - tub/shower trim  
 (Bulk Packed 12 per carton)

- Valves:** 62300 series  
 2500 series



N-A

UK 3 WALLACETON  
LOT 3183C-17  
20-2146 CRN ALT ELEV B  
THE UPTON

32 of 35

**MOEN®**

## Specifications


### DESCRIPTION

- Metal construction with various finishes identified by suffix

### OPERATION

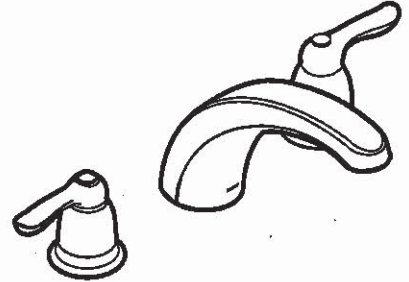
- Lever style handles with hot and cold color indicator
- Rotate hot side handle counterclockwise to open (clockwise to close) and the cold side handle (clockwise to open) and (counterclockwise to close)

### STANDARDS

- Third party certified to: ASME A112.18.1/CSA B-125.1, and all applicable requirements referenced therein
- ADA  for lever handles

### WARRANTY

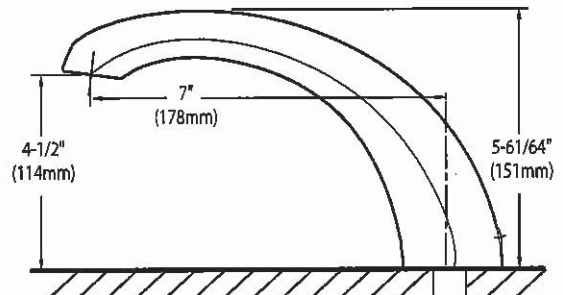
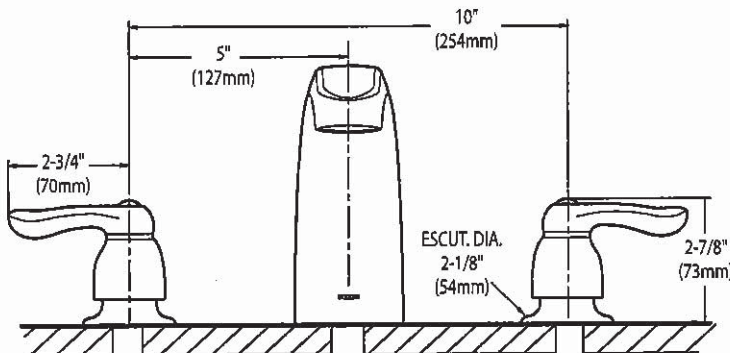
- Lifetime limited warranty against leaks, drips and finish defects to the original homeowner
  - 10 year limited warranty when used in a multi-family installation
  - 5 year limited warranty when used in a commercial installation
- Visit [www.moen.com/support](http://www.moen.com/support) for complete details and limitations



**CHATEAU®**  
Two-Handle Garden Tub Trim

Models: T994 series

Valves: 4792, 4793, 4794, 4796, 4797, 4798



### CRITICAL DIMENSIONS

(DO NOT SCALE)

N-A



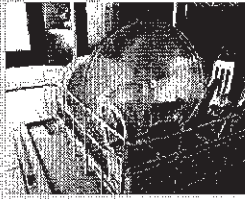
UK 3 WALLACETON  
 LOT 3183C-17  
 20-2146 CRN ALT ELEV B  
 THE UPTON

33 of 35

**WMH31017H  
 OVER-THE-RANGE MICROWAVE**



**DISHWASHER-SAFE TURNTABLE PLATE**



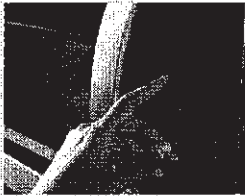
Clean up spills on the turntable by simply putting it in the dishwasher.

**2-SPEED, 300 CFM MOTOR CLASS\***



Match the right amount of ventilation to the dish being prepared and quickly get rid of cooking odors with two different fan speed settings.

**MICROWAVE PRESETS**



Get just the right amount of heat and time, whether you're cooking or defrosting, with specific preset options.

**OTHER FEATURES**

- Add 30 seconds option
- Electronic touch controls
- Adjustable cooktop lighting



White (W)



Black (B)



Fingerprint Resistant Stainless Steel (Z)



Silver (S)

MODEL	WMH31017HW	WMH31017HB	WMH31017HZ	WMH31017HS
Max height (in)	17-1/8"	17-1/8"	17-1/8"	17-1/8"
Width (in)	29-15/16"	29-15/16"	29-15/16"	29-15/16"
Depth (in)	15-9/16"	15-9/16"	15-9/16"	15-9/16"

**Whirlpool®**

\*Performance varies based on installation.

©/™ ©2018 Whirlpool. All rights reserved. 1/18. WC170107A

N.A

UK 3 WALLACETON  
 LOT 3183C-17  
 20-2146 CRN ALT ELEV B  
 THE UPTON

34 of 35

## VENTING DESIGN SPECIFICATIONS

This section is intended for architectural designer and builder/contractor reference only.

### NOTES:

- Vent materials needed for installation are not provided with microwave hood combination.
- We do not recommend using a flexible metal vent.
- To avoid possible product damage, be sure to vent air outside, unless using recirculation installation. Do not vent exhaust air into concealed spaces, such as spaces within walls or ceilings, attics, crawl spaces, or garages.

### For optimal venting installation, we recommend:

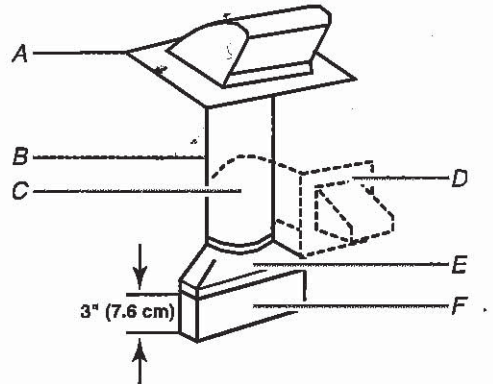
- Using roof or wall caps that have backdraft dampers
- Using a rigid metal vent
- Using the most direct route by minimizing the length of the vent and number of elbows to provide efficient performance
- Using uniformly sized vents
- Using duct tape to seal all joints in the vent system
- Using caulking compound to seal exterior wall or roof opening around cap
- Not installing 2 elbows together for optimal hood performance

If venting through the wall, be sure that there is proper clearance within the wall for the damper to open fully.

If venting through the roof, and rectangular-to-round transition is used, be sure there are at least 3" (7.6 cm) of clearance between the top of the microwave oven and the transition piece. See "Rectangular-to-Round Transition" illustration.

### Rectangular-to-Round Transition

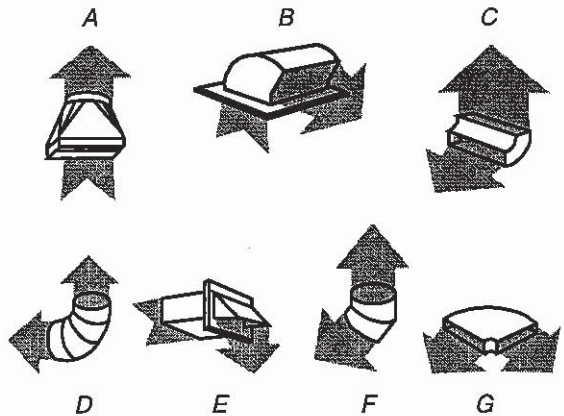
**NOTE:** The minimum 3" (7.6 cm) clearance must exist between the top of the microwave oven and the rectangular to round transition piece so that the damper can open freely and fully.



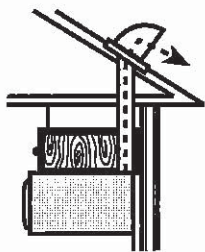
- A. Roof cap
- B. 6" (15.2 cm) min. diameter round vent
- C. Elbow (for wall venting only)
- D. Wall cap
- E. 3 1/4" x 10" to 6" (8.3 x 25.4 cm to 15.2 cm) rectangular to round transition piece
- F. Vent extension piece, at least 3" (7.6 cm) high

### Recommended Standard Fittings

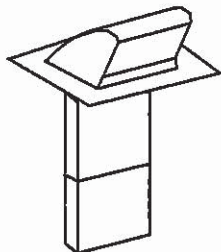
The following length equivalents are for use when figuring vent length. See the examples in "Recommended Vent Length".



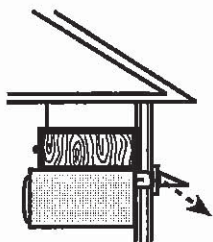
- A. Rectangular-to-round transition piece: 3 1/4" x 10" to 6" = 5 ft (8.3 x 25.4 cm to 15.2 cm = 1.5 m)
- B. Roof cap: 3 1/4" x 10" = 24 ft (8.3 x 25.4 cm = 7.3 m)
- C. 90° elbow: 3 1/4" x 10" = 25 ft (8.3 x 25.4 cm = 7.6 m)
- D. 90° elbow: 6" = 10 ft (15.2 cm = 3 m)
- E. Wall cap: 3 1/4" x 10" = 40 ft (8.3 x 25.4 cm = 12.2 m)
- F. 45° elbow: 6" = 5 ft (15.2 cm = 1.5 m)
- G. 90° flat elbow: 3 1/4" x 10" = 10 ft (8.3 x 25.4 cm = 3 m)



Roof venting



Roof cap



Wall venting



Wall cap

N.A

**UK 3 WALLACETON  
 LOT 3183C-17  
 20-2146 CRN ALT ELEV B  
 THE UPTON**

35 of 35

**Recommended Vent Length**

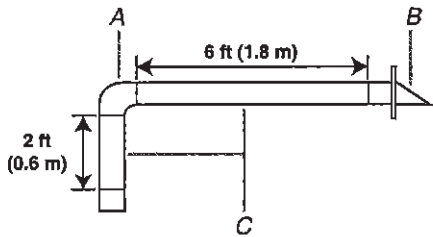
A 3¼" x 10" (8.3 x 25.4 cm) rectangular or 6" (15.2 cm) round vent should be used.

The total length of the vent system including straight vent, elbow(s), transitions, and wall or roof caps must not exceed the equivalent of 140 ft (42.7 m) for either type of vent. See the "Recommended Standard Fittings" section for equivalent lengths.

For best performance, use no more than three 90° elbows.

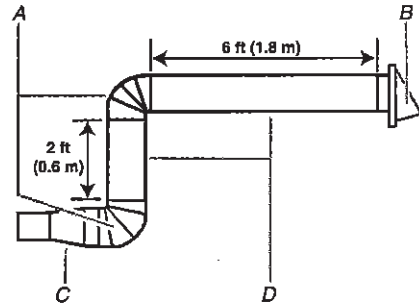
To calculate the length of the system you need, add the equivalent lengths of each vent piece used in the system. See the following examples:

**3¼" x 10" (8.3 x 25.4 cm) vent system = 73 ft (22.2 m) total**



- A. One 3¼" x 10" (8.3 x 25.4 cm) 90° elbow = 25 ft (7.6 m)
- B. 1 wall cap = 40 ft (12.2 m)
- C. 2 ft (0.6 m) + 6 ft (1.8 m) straight = 8 ft (2.4 m)

**6" (15.2 cm) vent system = 73 ft (22.2 m) total**



- A. Two 90° elbows = 20 ft (6.1 m)
- B. 1 wall cap = 40 ft (12.2 m)
- C. 1 rectangular-to-round transition piece = 5 ft (1.5 m)
- D. 2 ft (0.6 m) + 6 ft (1.8 m) straight = 8 ft (2.4 m)

If the existing vent is round, a rectangular-to-round transition piece must be used. In addition, a rectangular 3" (7.6 cm) extension vent between the damper assembly and rectangular-to-round transition piece must be installed to keep the damper from sticking.

N.A