

21-Jul-21

LOT 00530

20-2217-AL ELEV A THE HAZELWOOD

PURCHASERS: MAITHILI THURAINAYAGAM
SRILARAM LAMDASAMY

CONTACT NO: 647-505-9919
647-885-6148

VENDOR: HEATHWOOD HOMES (WHITBY) LIMITED - PHASE 4

UPG

Appliances

6-8894 Kitchen HoodFan

CYCLONE 30" CANOPY CHIMNEY HOODFAN (Standard for Singles Only) STAINLESS STEEL SCB51430 STD PAGE 26

Cabinetry

122-9266 Finished Basement Bathroom Cabinet Colour/ Styles

CHARLESTON ORCHID Viking III STD 3DL

124-2093 Finished Basement Bathroom Cabinet Hardware

HARDWARE 9671 STD

123-8825 Finished Basement Bathroom Countertop

Countertop KALAHARI TOPAZ 4588K-07 Wilsonart

1-6193 Kitchen Cabinet Colour/Style

SLAB PVC WHITE SUGAR Viking II LPL

3-7676 Kitchen Cabinet Hardware

HARDWARE 12843 STD

25-9276 Main Bathroom Cabinet Colour/Style

TRINITY VIVA WEEKEND GETAWAY Viking III STD

29-2093 Main Bathroom Cabinet Hardware

HARDWARE 9671 STD

28-8801 Main Bathroom Countertop

Countertop INUKSHUK GREY P-344 LM Arborite

20-9267 Master Ensuite Cabinet Colour/Style

CHARLESTON RAIN CLOUD Viking III STD 3DL

22-2093 Master Ensuite Cabinet Hardware

HARDWARE 9671 STD

21-8806 Master Ensuite Countertop

Countertop LECHE VESTA 4987K-07 Wilsonart

Carpet

37-9248 Bedroom 2 Flooring

Dynasty Tex 40 oz Poly BLACK ICE DY 89418 STD

38-9248 Bedroom 3 Flooring

Dynasty Tex 40 oz Poly BLACK ICE DY 89418 STD

111-9248 Bedroom 4 Flooring

Dynasty Tex 40 oz Poly BLACK ICE DY 89418 STD

377-9248 Finished Basement Bedroom Flooring

Dynasty Tex 40 oz Poly BLACK ICE DY 89418 STD

285-9248 Finished Basement Rec/Hall Flooring

Dynasty Tex 40 oz Poly BLACK ICE DY 89418 STD

36-9248 Master Bedroom Flooring

Dynasty Tex 40 oz Poly BLACK ICE DY 89418 STD

52-1079 Throughout Underpad

Underpad 500 Series STD

Ceramics

125-8263 Finished Basement Bathroom Flooring

Serpantine Krem/Cream TR.ST.KRM.1313 STD 13x13

1. The Purchaser acknowledges these selections are subject to the terms and conditions of the applicable Agreement of Purchase and Sale.
2. The Purchaser acknowledges that the Vendor accepts no responsibility in the event the Vendor is unable to supply a selection. The Purchaser agrees to reselct from the currently available selections immediately upon request.
3. The Vendor reserves the right to substitute above materials and equipment with that of equal or better quality.
4. Purchaser acknowledges that items may not be exactly as shown. Variations from the Vendor's samples may occur in finished materials due to normal production processes. Vendor is not responsible for shade difference which may occur from different dye lots or wood grains. Variations from the Vendor's samples will occur with natural materials such as wood, marble, granite, hardwood and brick.
5. The Vendor reserves the right to select Grout & Thresholds that best suits the Tile selected.
6. Selections will not be processed unless signed by Heathwood Homes Head Office.
7. The colour selections made on the Colour Chart are final and cannot be changed once submitted.
8. The Purchaser has checked and acknowledges the accuracy of this Colour Chart.

July 21, 2021
Date

Maithili Thurainayagam
Purchaser

July 21, 2021
Date

Decor Consultant

-09-02-2021

M. Rosen

Date Purchaser

Date Approved HEATHWOOD HOMES (WHITBY)
LIMITED - PHASE 4

LOT 00530 20-2217-AL ELEV A THE HAZELWOOD

PURCHASERS: MAITHILI THURAINAYAGAM CONTACT NO: 647-505-9919
 SRILARAM LAMDASAMY 647-885-6148

VENDOR: HEATHWOOD HOMES (WHITBY) LIMITED - PHASE 4

- | | |
|---|---|
| Ceramics | UPG |
| 126-2224 Finished Basement Bathroom Grout | <input type="checkbox"/> Grout (44) Pale Umber STD |
| 127-8259 Finished Basement Bathroom Wall Tile | <input checked="" type="checkbox"/> Serpentine Krem/Cream TR.ST.KRM.0810 STD 8 x 10 TO BE INSTALLED HORIZONTALLY IN A BRICK DESIGN |
| 128-2226 Finished Basement Bathroom Wall Tile Grout | <input type="checkbox"/> Grout (00) White STD |
| 16-9115 Foyer Flooring | <input checked="" type="checkbox"/> Eterna Medium Grey Polished OV.ET.MGR.1224.PL UPG 5 12 x 24 TO BE INSTALL SIDE TO SIDE IN A BRICK 1/3 X2/3 DESIGN SEE SKETCH # 5 PAGE# 17 |
| 17-2220 Foyer Grout | <input checked="" type="checkbox"/> Upgrade Grout (11) Sahara Beige |
| 4-8104 Kitchen Backsplash | <input checked="" type="checkbox"/> ONTARIO HEXAGON MATTE TAUPE OD.ON.TPE.02.HEX.MT UPG 2 |
| 5-2226 Kitchen Backsplash Grout | <input type="checkbox"/> Grout (00) White STD |
| 7-5494 Kitchen/Breakfast Flooring | <input type="checkbox"/> New Albion Grey GE.NA.GRY.1313 Std 13 x 13 |
| 8-7705 Kitchen/Breakfast Grout | <input checked="" type="checkbox"/> Upgrade Grout (01) Alabaster U/G |
| 66-8072 Laundry Room Flooring | <input type="checkbox"/> Reflex Olive GE.RF.OLV.1313 STD 13 x 13 |
| 67-2222 Laundry Room Grout | <input type="checkbox"/> Grout (105) Driftwood STD |
| 30-8073 Main Bathroom Flooring | <input type="checkbox"/> Reflex White GE.RF.WHT.1313 STD 13 x 13 SEE TILE PATTERN DIRECTION SKETCH # 6 PAGE 18 |
| 31-7706 Main Bathroom Grout | <input checked="" type="checkbox"/> Upgrade Grout (49) Light Almond U/G |
| 112-9021 Main Bathroom Tub Wall Tile | <input checked="" type="checkbox"/> Weave Ivory QT.WV.IVO.0810 STD 8 x 10 TO BE INSTALLED HORIZONTALLY IN A BRICK DESIGN |
| 113-2226 Main Bathroom Tub Wall Tile Grout | <input type="checkbox"/> Grout (00) White STD |
| 23-9255 Master Ensuite Floor Tile | <input type="checkbox"/> SEMPRE White Matte TR.SP.WHITE.1313 STD 13" x 13" |
| 24-2225 Master Ensuite Floor Tile Grout | <input type="checkbox"/> Grout (27) Silver STD |
| 73-8664 Master Ensuite Shower Floor Tile | <input checked="" type="checkbox"/> Ontario Series Mosaic Tender Grey Matte OD.ON.TGR.0202.MT.N UPG 1 2 x 2 |
| 74-2226 Master Ensuite Shower Floor Tile Grout | <input type="checkbox"/> Grout (00) White STD |
| 147-8923 Master Ensuite Shower Jamb(s) and Sill(s) | <input type="checkbox"/> Shower Jamb / Sill Thassos White STD |

1. The Purchaser acknowledges these selections are subject to the terms and conditions of the applicable Agreement of Purchase and Sale.
 2. The Purchaser acknowledges that the Vendor accepts no responsibility in the event the Vendor is unable to supply a selection. The Purchaser agrees to reselect from the currently available selections immediately upon request.
 3. The Vendor reserves the right to substitute above materials and equipment with that of equal or better quality.
 4. Purchaser acknowledges that items may not be exactly as shown. Variations from the Vendor's samples may occur in finished materials due to normal production processes. Vendor is not responsible for shade difference which may occur from different dye lots or wood grains. Variations from the Vendor's samples will occur with natural materials such as wood, marble, granite, hardwood and brick.
 5. The Vendor reserves the right to select Grout & Thresholds that best suits the Tile selected.
 6. Selections will not be processed unless signed by Heathwood Homes Head Office.
 7. The colour selections made on the Colour Chart are final and cannot be changed once submitted.
 8. The Purchaser has checked and acknowledges the accuracy of this Colour Chart.

July 21/2021 Maithili Thurainayaga *Maithili* Purchaser
 Date **7/21/2021** *Maithili* Décor Consultant
 Date **09-02-2021** *Maithili*

LOT 00530

20-2217-AL ELEV A THE HAZELWOOD

PURCHASERS: MAITHILI THURAINAYAGAM
SRILARAM LAMDASAMY

CONTACT NO: 647-505-9919
647-885-6148

VENDOR: HEATHWOOD HOMES (WHITBY) LIMITED - PHASE 4

UPG

Ceramics

- 104-9022 Master Ensuite Shower Wall Tile
Weave Tender Grey QT.WV.TGR.0810 STD 8 x 10 TO BE INSTALLED HORIZONTALLY IN A BRICK DESIGN
- 105-2226 Master Ensuite Shower Wall Tile Grout
Grout (00) White STD
- 190-8228 Mud Room Flooring
New Albion Taupe GE.NA.TPE.1313 Std 13 x 13
- 191-7707 Mud Room Grout
Upgrade Grout (99) Ivory U/G
- 32-8228 Powder Room Flooring
New Albion Taupe GE.NA.TPE.1313 Std 13 x 13
- 33-7707 Powder Room Grout
Upgrade Grout (99) Ivory U/G
- 53-2232 Throughout Thresholds
Metal Thresholds STD

Electrical

- 90-5796 Throughout Switches and Plug
Decora White Switches and Plugs STD

Fireplace

- 136-9375 Great Room Fireplace Mantle
Paint Grade Mantle- 6" Deep Mantle WHITE NF-15 STD
PAGE 19
- 138-8874 Great Room Fireplace Surround
3 pc- 4" Marble Surround Grigio Carnico STD
- 135-5529 Great Room Fireplace Type
36" Direct Vent Gas Fireplace

Granite

- 2-9121 Kitchen Countertop
MSI Quartz ICED WHITE Group 1 UPG 3/4" with Mitered Edge

Hardwood

- 99-9066 Dining Room Flooring
Red Oak UVF-Vintage Northern Solid Sawn : White Oak : Sculpted UVF-OPHELIA-3/4 inch x 5 inch OPHELIA Red Oak UVF 3/4" X 5"
- 11-9066 Great Room Flooring
Red Oak UVF-Vintage Northern Solid Sawn : White Oak : Sculpted UVF-OPHELIA-3/4 inch x 5 inch OPHELIA Red Oak UVF 3/4" X 5"
- 98-9066 Main Hall Flooring
Red Oak UVF-Vintage Northern Solid Sawn : White Oak : Sculpted UVF-OPHELIA-3/4 inch x 5 inch OPHELIA Red Oak UVF 3/4" X 5"
- 78-8906 Stair Landing to Lower Level Flooring
Vintage 5" Pre-Sanded Smooth Unfinished Red Oak Unfinished Red Oak 3/4" x 5" STAIN SAMBUCCA

1. The Purchaser acknowledges these selections are subject to the terms and conditions of the applicable Agreement of Purchase and Sale.
2. The Purchaser acknowledges that the Vendor accepts no responsibility in the event the Vendor is unable to supply a selection. The Purchaser agrees to reselect from the currently available selections immediately upon request.
3. The Vendor reserves the right to substitute above materials and equipment with that of equal or better quality.
4. Purchaser acknowledges that items may not be exactly as shown. Variations from the Vendor's samples may occur in finished materials due to normal production processes. Vendor is not responsible for shade difference which may occur from different dye lots or wood grains. Variations from the Vendor's samples will occur with natural materials such as wood, marble, granite, hardwood and brick.
5. The Vendor reserves the right to select Grout & Thresholds that best suits the Tile selected.
6. Selections will not be processed unless signed by Heathwood Homes Head Office.
7. The colour selections made on the Colour Chart are final and cannot be changed once submitted.
8. The Purchaser has checked and acknowledges the accuracy of this Colour Chart.

July 21 2021 Maithili Thurainayagam July 21 2021
Date Purchaser Date ~~Maithili~~ Décor Consultant
MyRosen

Date Purchaser

Date Approved HEATHWOOD HOMES (WHITBY) LIMITED - PHASE 4

LOT 00530

20-2217-AL ELEV A THE HAZELWOOD

PURCHASERS: MAITHILI THURAINAYAGAM
SRILARAM LAMDASAMY

CONTACT NO: 647-505-9919
647-885-6148

VENDOR: HEATHWOOD HOMES (WHITBY) LIMITED - PHASE 4

Hardwood

UPG

77-8906 Stair Landing to Upper Level Flooring

- Vintage 5" Pre-Sanded Smooth Unfinished Red Oak Unfinished Red Oak 3/4" x 5" ~~SAWN~~ SAMBUCCA STAIRS

35-9066 Upper Hall Flooring

- Red Oak UVF-Vintage Northern Solid Sawn : White Oak : Sculpted UVF-OPHELIA-3/4 inch x 5 inch OPHELIA Red Oak UVF 3/4" X 5"

Interior Railings

49-8148 Stairs to Lower Level Handrail/Pickets/Posts Type

- Single Collar Alt. Plain w/ Shoes with 3 1/2" Square/Cap Post(s) BLACK METAL STD

49-8148 Stairs to Upper Level Handrail/Pickets/Posts Type

- Single Collar Alt. Plain w/ Shoes with 3 1/2" Square/Cap Post(s) BLACK METAL STD

Interior Stairs

45-1712 Stairs to Lower Level Type

- Oak Stairs UPG_1

39-1712 Stairs to Upper Level Type

- Oak Stairs UPG_1

Interior Trim

90-8704 Throughout Switches and Plug

- 5 1/4" Baseboards and 3" Integrated Backbend Casings STD-Singles

Painting

46-7761 Stairs to Lower Level Colour

- Stain handrail, stringers, treads,risers, nosing & posts. (Metal pickets) STAIN SAMBUCCA- COLOUR IS DIFFERENT THEN HARDWOOD FLOOR

50-7761 Stairs to Lower Level Handrail/Pickets/Posts Colour

- Stain handrail, stringers, treads,risers, nosing & posts. (Metal pickets) STAIN SAMBUCCA- COLOUR IS DIFFERENT THEN HARDWOOD FLOOR

40-7761 Stairs to Upper Level Colour

- Stain handrail, stringers, treads,risers, nosing & posts. (Metal pickets) STAIN SAMBUCCA- COLOUR IS DIFFERENT THEN HARDWOOD FLOOR

44-7761 Stairs to Upper Level Handrail/Pickets/Posts Colour

- Stain handrail, stringers, treads,risers, nosing & posts. (Metal pickets) STAIN SAMBUCCA- COLOUR IS DIFFERENT THEN HARDWOOD FLOOR

240-1716 Throughout Trim - Paint Colour

- Trim WHITE STD

51-1717 Throughout Walls - Paint Colour

- Wall WARM GREY 22 STD

Plumbing

1. The Purchaser acknowledges these selections are subject to the terms and conditions of the applicable Agreement of Purchase and Sale.
2. The Purchaser acknowledges that the Vendor accepts no responsibility in the event the Vendor is unable to supply a selection. The Purchaser agrees to reselect from the currently available selections immediately upon request.
3. The Vendor reserves the right to substitute above materials and equipment with that of equal or better quality.
4. Purchaser acknowledges that items may not be exactly as shown. Variations from the Vendor's samples may occur in finished materials due to normal production processes. Vendor is not responsible for shade difference for shade difference which may occur from different dye lots or wood grains. Variations from the Vendor's samples will occur with natural materials such as wood, marble, granite, hardwood and brick.
5. The Vendor reserves the right to select Grout & Thresholds that best suits the Tile selected.
6. Selections will not be processed unless signed by Heathwood Homes Head Office.
7. The colour selections made on the Colour Chart are final and cannot be changed once submitted.
8. The Purchaser has checked and acknowledges the accuracy of this Colour Chart.

July 21 2021

Date

Maithili Thurainayagam

Purchaser

~~July 21 2021~~

Date

Décor Consultant

-09-02 2021

Date

Purchaser

Date Approved HEATHWOOD HOMES (WHITBY) LIMITED - PHASE 4

LOT 00530

20-2217-AL ELEV A THE HAZELWOOD

PURCHASERS: MAITHILI THURAINAYAGAM
SRILARAM LAMDASAMY

CONTACT NO: 647-505-9919
647-885-6148

VENDOR: HEATHWOOD HOMES (WHITBY) LIMITED - PHASE 4

Plumbing

UPG

- 268-1737 Finished Basement Bathroom Plumbing Fixture (Colour) Plumbing Fixtures WHITE STD
- 266-1737 Main Bathroom Plumbing Fixture (Colour) Plumbing Fixtures WHITE STD
- 149-1737 Master Ensuite Plumbing Fixture (colour) Plumbing Fixtures WHITE STD
- 34-1737 Powder Room Plumbing Fixture (Colour) Plumbing Fixtures WHITE STD

1. The Purchaser acknowledges these selections are subject to the terms and conditions of the applicable Agreement of Purchase and Sale.
2. The Purchaser acknowledges that the Vendor accepts no responsibility in the event the Vendor is unable to supply a selection. The Purchaser agrees to reselect from the currently available selections immediately upon request.
3. The Vendor reserves the right to substitute above materials and equipment with that of equal or better quality.
4. Purchaser acknowledges that items may not be exactly as shown. Variations from the Vendor's samples may occur in finished materials due to normal production processes. Vendor is not responsible for shade difference which may occur from different dye lots or wood grains. Variations from the Vendor's samples will occur with natural materials such as wood, marble, granite, hardwood and brick.
5. The Vendor reserves the right to select Grout & Thresholds that best suits the Tile selected.
6. Selections will not be processed unless signed by Heathwood Homes Head Office.
7. The colour selections made on the Colour Chart are final and cannot be changed once submitted.
8. The Purchaser has checked and acknowledges the accuracy of this Colour Chart.

July 21, 2021

Date

Maithili Thuringayagam

Purchaser

Décor Consultant

-09-02-2021

Date

Purchaser

HEATHWOOD HOMES (WHITBY)

LIMITED - PHASE 4

LOT 00530

20-2217-AL ELEV A THE HAZELWOOD

PURCHASERS: MAITHILI THURAINAYAGAM
SRILARAM LAMDASAMY

CONTACT NO: 647-505-9919
647-885-6148

VENDOR: HEATHWOOD HOMES (WHITBY) LIMITED - PHASE 4

HST #

It is herein understood and agreed between the undersigned parties hereto that the following changes shall be made to the above mentioned Agreement of Purchase and Sale in accordance with the agreement and except for such changes noted below, all other terms and conditions in the Agreement of Purchase and Sale shall remain as stated herein: It is further understood that and agreed that all changes and additions shall be installed as per builder's specifications, location and available selections. The Purchaser hereby agrees to purchase the following extras:

AMOUNT:

Cabinetry / Electrical

2184 **Optional Extras** Qty: 1
Kit. Basplash
Kitchen lower valance trim with light including switch (Luminiz LED slimline strip light)

Ceramics

2219 **Basement Bath Wall** Qty: 1
Install in Specified Pattern
TO BE INSTALLED IN A HORIZONTAL BRICK

2224 **Foyer Floor** Qty: 1
Upgrade 5 Tile
TO BE INSTALLED IN A BRICK 1/3 X 2/3 - SIDE TO SIDE

2224 **Foyer Floor** Qty: 1
Install in Specified Pattern
TO BE INSTALL SIDE TO SIDE IN A BRICK 1/3 X2/3 DESIGN
SEE SKETCH # 5 PAGE# 17

2224 **Foyer Floor** Qty: 1
Upgrade Grout

2231 **Kit. Basplash** Qty: 1
Upgrade 2 Tile

2227 **Kitchen/Breakfast Floor** Qty: 1
Upgrade Grout

- This Sales Selection Sheet when properly executed forms part of our Agreement of Purchase and Sale.
- All extras and upgrades listed above are subject to Construction Progress and Architectural and Municipal requirements.
- In the event the Vendor is unable to incorporate the work approved above in the construction of the house for any reason whatsoever, the Vendor will not be liable to the Purchaser in any way. The monies paid for any changes or optional extras not proceeded with shall be returned to the Purchaser, without interest. The cost of options or extras is non-refundable in all other circumstances. If for any reason whatsoever the Agreement of Purchase and Sale is not completed, the total cost of work approved above will be retained by the Vendor.
- The Vendor reserves the right to substitute above materials and equipment with that of equal or better quality.
- Purchaser acknowledges that items may not be exactly as shown. Variations from the Vendor's samples may occur in finished materials due to normal production processes. Vendor is not responsible for shade difference which may occur from different dye lots or wood grains. Variations from the Vendor's samples will occur with natural materials such as wood, marble, granite, hardwood and brick.
- The Vendor reserves the right to select Grout & Thresholds that best suits the Tile selected.
- Selections will not be processed unless signed by Heathwood Homes Head Office.
- The selections made on this schedule are final and cannot be changed once submitted.
- The Purchaser has checked and acknowledges the accuracy of this schedule.

Date: July 21, 2021 Purchaser: Maithili Thurainayagam Date: APPROVED - July 21, 2021 Décor Consultant: Mykaen

Date: _____ Purchaser: _____ Date: -09- 02 2021

Date Approved: HEATHWOOD HOMES (WHITBY) LIMITED - PHASE 4



21-Jul-21

Sales Selection Sheet

LOT 00530

20-2217-AL ELEV A THE HAZELWOOD

PURCHASERS: MAITHILI THURAINAYAGAM
SRILARAM LAMDASAMY

CONTACT NO: 647-505-9919
647-885-6148

VENDOR: HEATHWOOD HOMES (WHITBY) LIMITED - PHASE 4

HST #

It is herein understood and agreed between the undersigned parties hereto that the following changes shall be made to the above mentioned Agreement of Purchase and Sale in accordance with the agreement and except for such changes noted below, all other terms and conditions in the Agreement of Purchase and Sale shall remain as stated herein. It is further understood that and agreed that all changes and additions shall be installed as per builder's specifications, location and available selections. The Purchaser hereby agrees to purchase the following extras:

AMOUNT:

2228	Upgrade Grout	Main/Shrd Bath Floor	Qty: 1
2220	Install in Specified Pattern TO BE INSTALLED IN A HORIZONTAL BRICK	Main/Shrd Bath Wall SKETCH # 6 PAGE 18	Qty: 1
2222	Upgrade 1 Tile	Master Shower Shower Floor	Qty: 1
2221	Install in Specified Pattern TO BE INSTALLED IN A HORIZONTAL BRICK	Master Shower Wall SKETCH # 6 PAGE 18	Qty: 1
2226	Upgrade Grout	Mud Room Floor	Qty: 1
2225	Upgrade Grout	Powder Floor	Qty: 1
2290	Optional Upgrade Countertop 3/4" GROUP 1 with double edge	Kitchen	Qty: 1

Granite

Painting

- This Sales Selection Sheet when properly executed forms part of our Agreement of Purchase and Sale.
- All extras and upgrades listed above are subject to Construction Progress and Architectural and Municipal requirements.
- In the event the Vendor is unable to incorporate the work approved above in the construction of the house for any reason whatsoever, the Vendor will not be liable to the Purchaser in any way. The monies paid for any changes or optional extras not proceeded with shall be returned to the Purchaser, without interest. The cost of options or extras is non-refundable in all other circumstances. If for any reason whatsoever the Agreement of Purchase and Sale is not completed, the total cost of work approved above will be retained by the Vendor.
- The Vendor reserves the right to substitute above materials and equipment with that of equal or better quality.
- Purchaser acknowledges that items may not be exactly as shown. Variations from the Vendor's samples may occur in finished materials due to normal production processes. Vendor is not responsible for shade difference which may occur from different dye lots or wood grains. Variations from the Vendor's samples will occur with natural materials such as wood, marble, granite, hardwood and brick.
- The Vendor reserves the right to select Grout & Thresholds that best suits the Tile selected.
- Selections will not be processed unless signed by Heathwood Homes Head Office.
- The selections made on this schedule are final and cannot be changed once submitted.
- The Purchaser has checked and acknowledges the accuracy of this schedule.

July 21, 2021

Maithili Thurainayagam

Date Purchaser

July 21, 2021

Date APPROVED • Décor Consultant

M. Loren

-09-02-2021

Date Purchaser

Date Approved HEATHWOOD HOMES (WHITBY)
LIMITED - PHASE 4



21-Jul-21

Sales Selection Sheet

LOT 00530

20-2217-AL ELEV A THE HAZELWOOD

PURCHASERS: MAITHILI THURAINAYAGAM
SRILARAM LAMDASAMY

CONTACT NO: 647-505-9919
647-885-6148

VENDOR: HEATHWOOD HOMES (WHITBY) LIMITED - PHASE 4

HST #

It is herein understood and agreed between the undersigned parties hereto that the following changes shall be made to the above mentioned Agreement of Purchase and Sale in accordance with the agreement and except for such changes noted below, all other terms and conditions in the Agreement of Purchase and Sale shall remain as stated herein: It is further understood that and agreed that all changes and additions shall be installed as per builder's specifications, location and available selections. The Purchaser hereby agrees to purchase the following extras:

AMOUNT:

531 Optional Extras - PAINT / STAIN - Custom LANDING Qty: 2

Stain stair landing less than 25sq/ft in sambucca. For stair with metal pickets only.
5" (Unfinished Pre-sanded) smooth hardwood will be installed and to be stained in sambucca to match the stairs
STAIN SAMBUCCAH

Plumbing

276 STANDARD Kitchen Sink Option KITCHEN Qty: 1

KINDRED Kitchen Sink Collection - Reginox ND1831 UA/9 Stainless Kitchen Double (equal size) Bowl Undermount Sink (or equivalent) PAGE 20

Security

436 Optional Extra Qty: -1

Security Camera Rough-in Before June 1, 2021
DELETE R/SECURITYCAMERA IN FRONT OF GARAGE STANDARD CHARGED SEE ORIGINAL PAGE 4 OF 7. SKETCH # 7 PAGE 6 OF 7

1. This Sales Selection Sheet when properly executed forms part of our Agreement of Purchase and Sale.
2. All extras and upgrades listed above are subject to Construction Progress and Architectural and Municipal requirements.
3. In the event the Vendor is unable to incorporate the work approved above in the construction of the house for any reason whatsoever, the Vendor will not be liable to the Purchaser in any way. The monies paid for any changes or optional extras not proceeded with shall be returned to the Purchaser, without interest. The cost of options or extras is non-refundable in all other circumstances. If for any reason whatsoever the Agreement of Purchase and Sale is not completed, the total cost of work approved above will be retained by the Vendor.
4. The Vendor reserves the right to substitute above materials and equipment with that of equal or better quality.
5. Purchaser acknowledges that items may not be exactly as shown. Variations from the Vendor's samples may occur in finished materials due to normal production processes. Vendor is not responsible for shade difference which may occur from different dye lots or wood grains. Variations from the Vendor's samples will occur with natural materials such as wood, marble, granite, hardwood and brick.
6. The Vendor reserves the right to select Grout & Thresholds that best suits the Tile selected.
7. Selections will not be processed unless signed by Heathwood Homes Head Office.
8. The selections made on this schedule are final and cannot be changed once submitted.
9. The Purchaser has checked and acknowledges the accuracy of this schedule.

July 21 2021 Date Maithili Thurainayagam Purchaser July 21, 21 Date APPROVED Décor Consultant

-09-02 2021 Date Approved -09-02 2021 Date Approved -HEATHWOOD HOMES (WHITBY) LIMITED - PHASE 4

C2-COUNTRY LANE
LOT 530
20-2217-AL ELEV A
THE HAZELWOOD

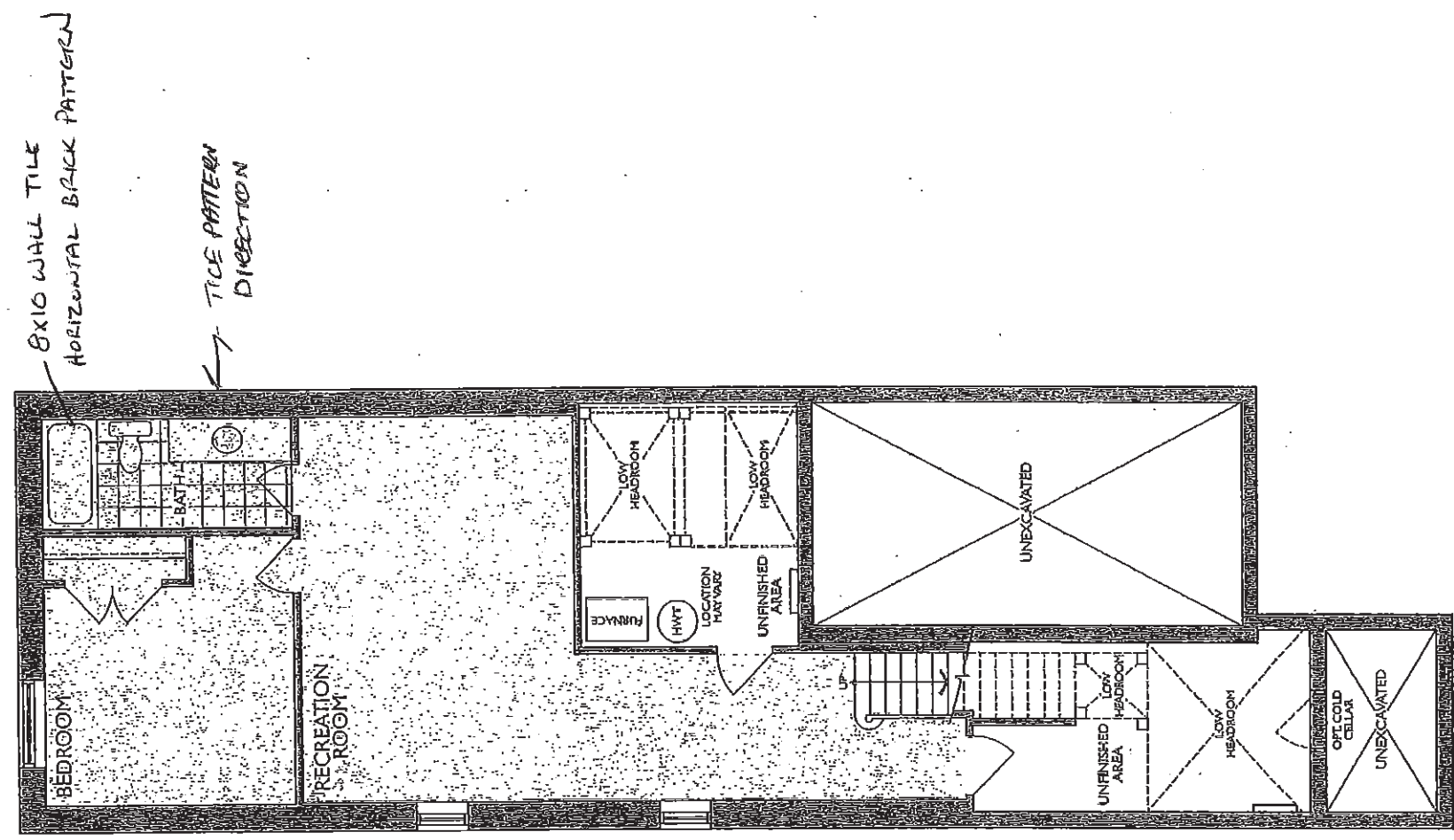
16 of 39

The Hazelwood

20-2217 ALT ELEV. A

ELEVATION A: 2,918 SQUARE FEET
{ Includes 695 square feet of finished Lower Level }

Sketch #4



LOWER LEVEL
ELEV. A & B

JKS

C2-COUNTRY LANE
LOT 530
20-2217-AL ELEV A
THE HAZELWOOD

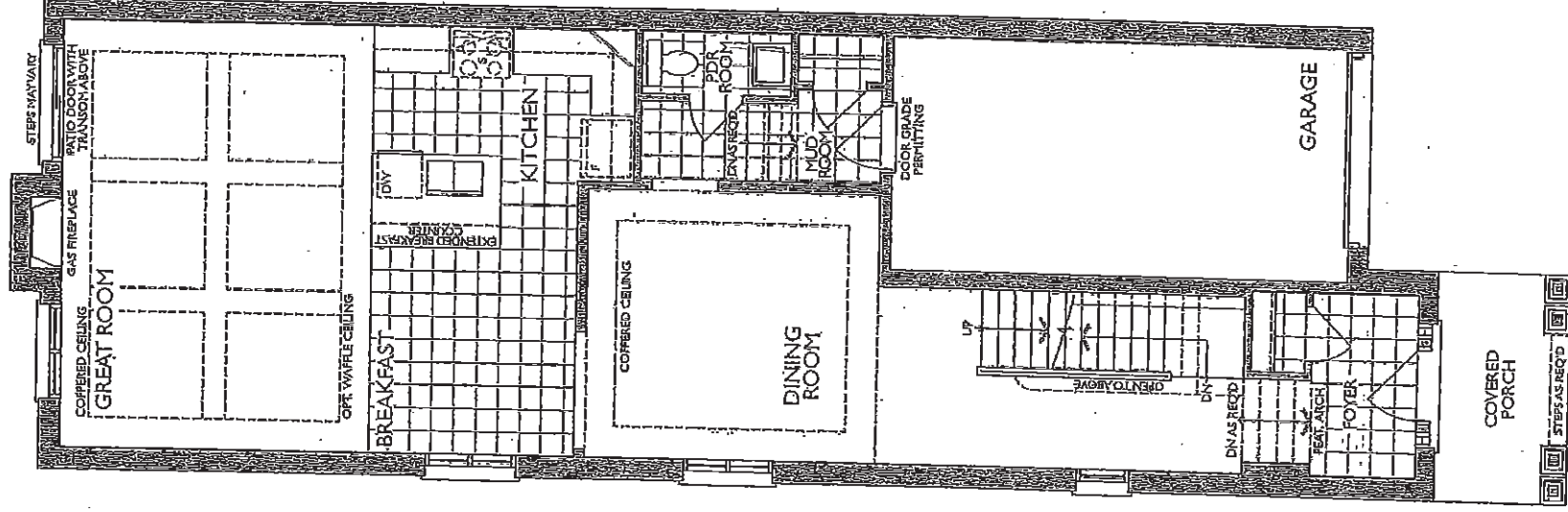
17 of 39

The Hazelwood

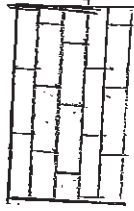
20-2217 ALT ELEV. A

ELEVATION A: 2,918 SQUARE FEET
{ Includes 695 square feet of finished Lower Level }

Sketch #5



SIDE TO SIDE



(1)



GROUND FLOOR
ELEV. A

K.S.

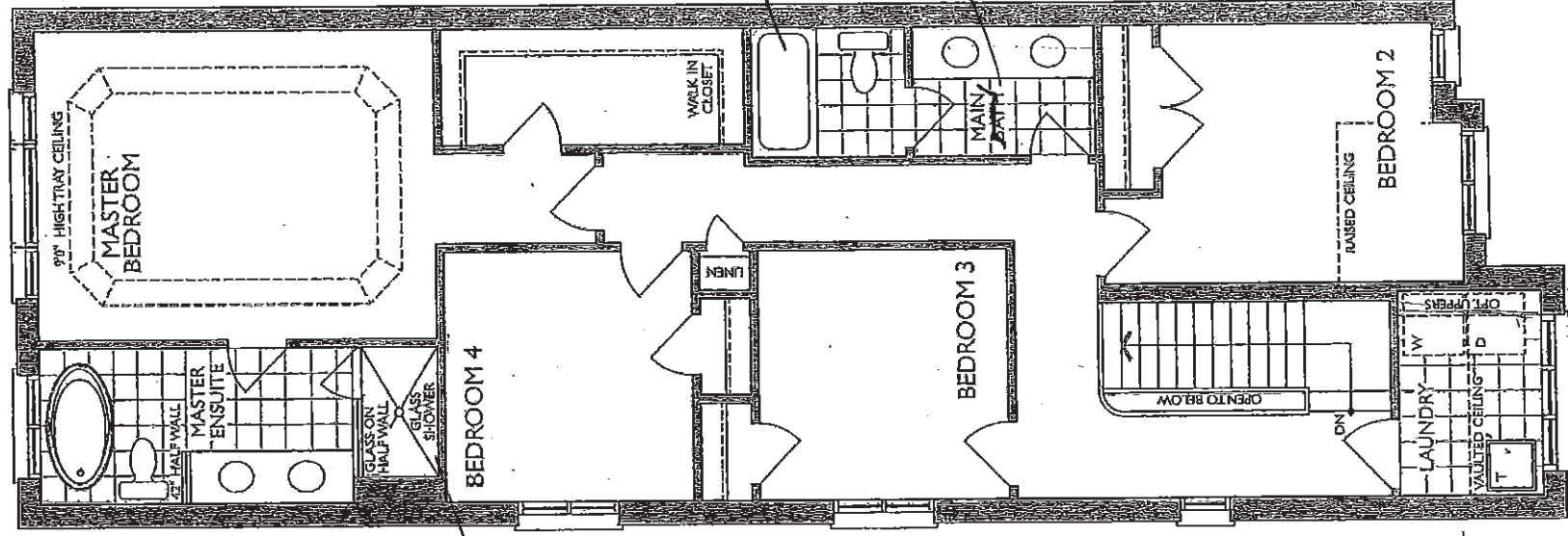
C2 COUNTRY LANE
LOT 530
20-2217 AL ELEV A
THE HAZELWOOD

18 of 39 The Hazelwood

20-2217 ALT ELEV. A

ELEVATION A: 2,918 SQUARE FEET
{ Includes 695 square feet of finished Lower Level }

Sketch #6



8X10 WALL
TILE HORIZONTAL
BRICK PATTERN

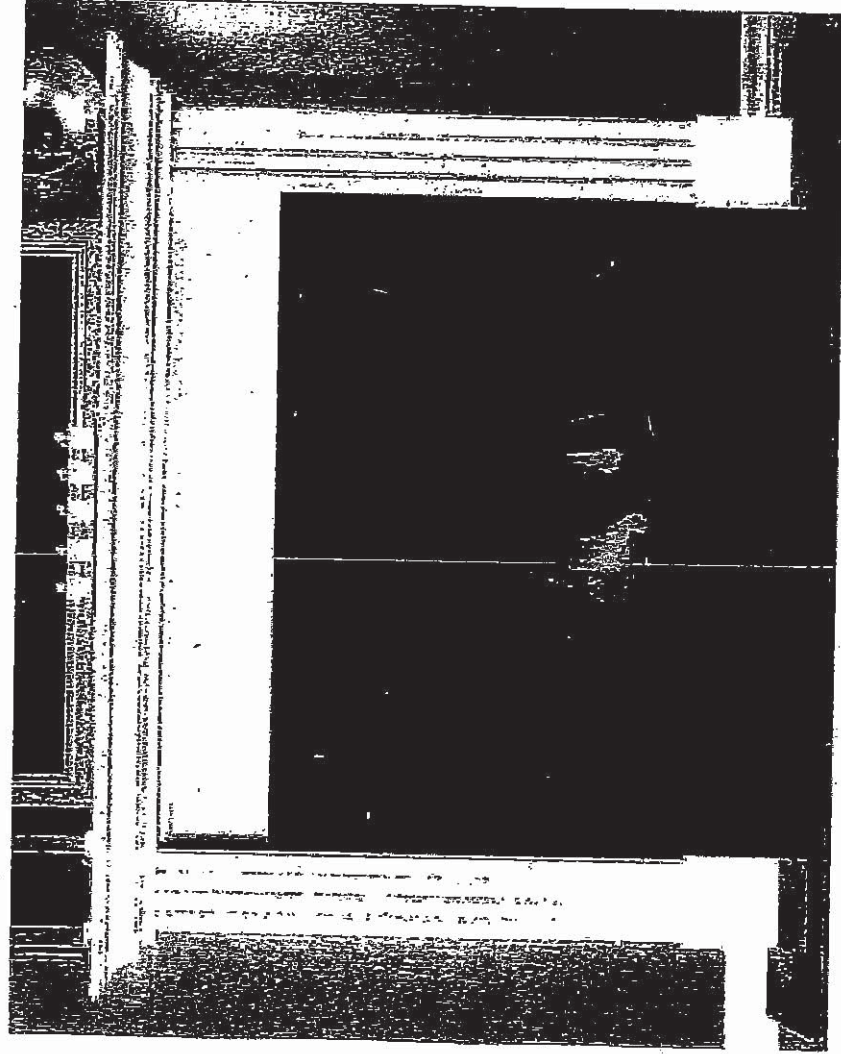
8X10 WALL TILE
HORIZONTAL BRICK PATTERN

TILE LINE PATTERN

SECOND FLOOR
ELEV. A

C2-COUNTRY LANE
LOT 530
20-2217-AL ELEV A
THE HAZELWOOD

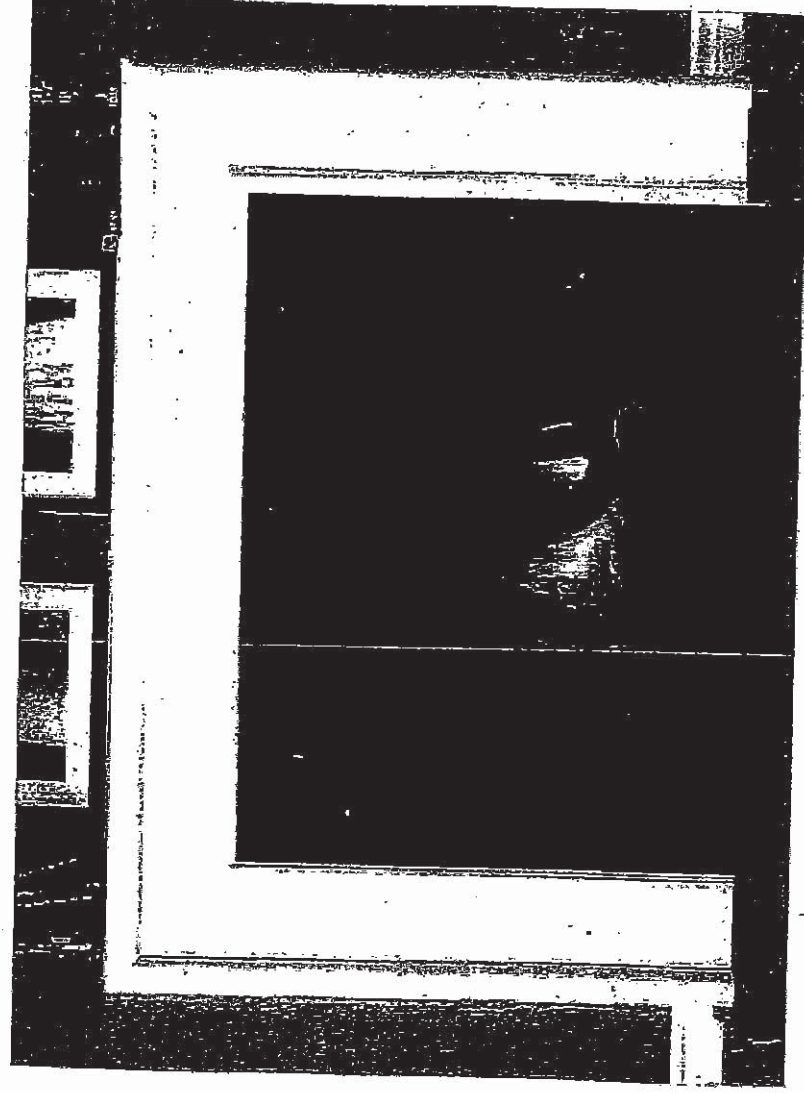
19 of 39 1



STANDARD NF 15 Mantel ✓

Clean apron finish with fluted legs
WHITE PAINT GRADE FINISH

(PICTURE SHOWN WITH UPGRADE SURROUND AND HEARTH -PRICED SEPARATELY)



STANDARD NF 17 Mantel

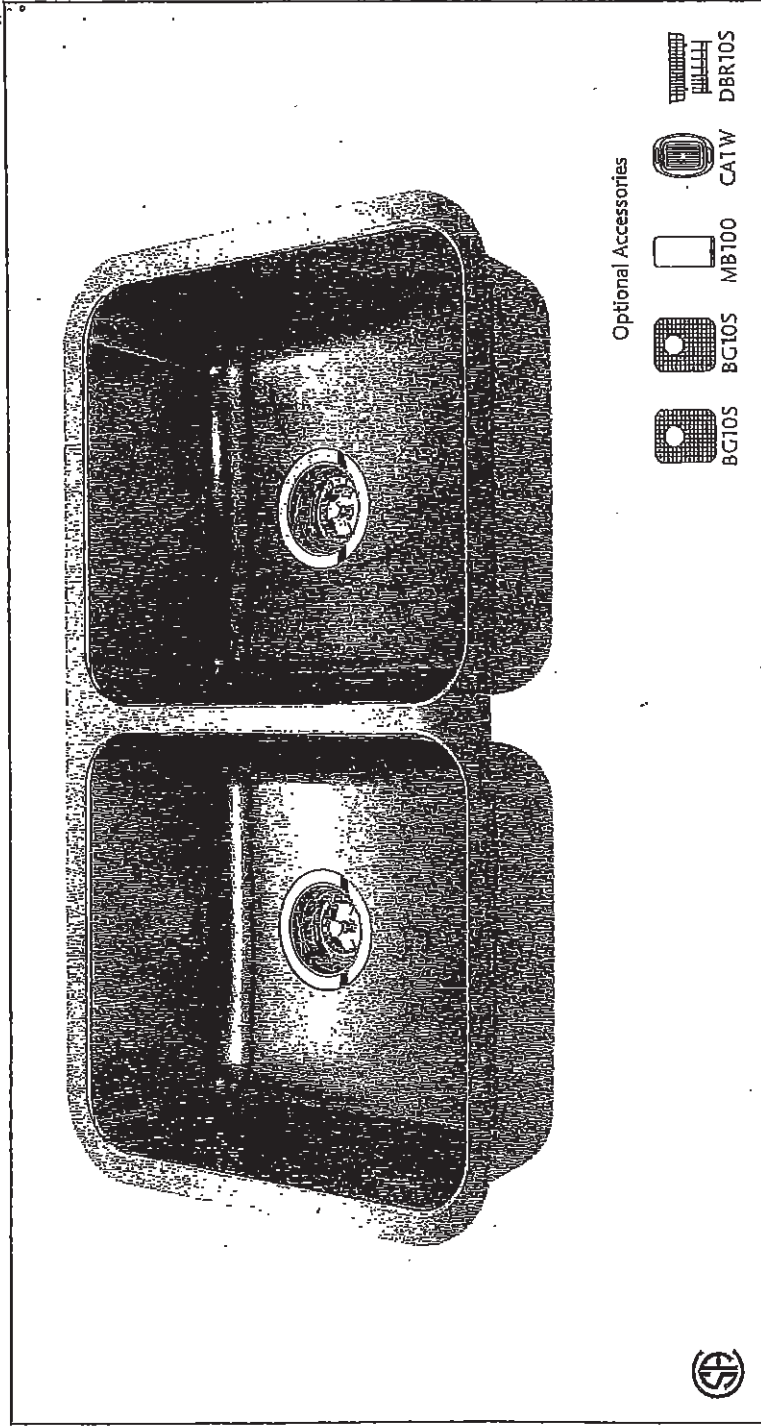
C2-COUNTRY LANE
 LOT 530
 20-2217-AL ELEV A
 THE HAZELWOOD

20.1.39

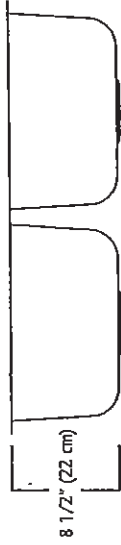
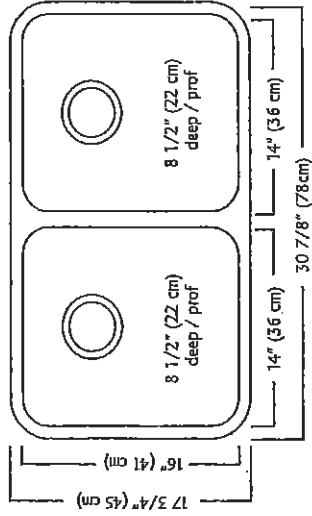


STANDARD KITCHEN SINK

ND1831UA/9



Optional Accessories



ND1831UA/9 SPECIFICATION

Model ND1831UA/9 is a double (two equal size) bowl undermount sink manufactured by Franke Kindred Canada Limited from 18 gauge stainless steel. Product has silk finished rims and linear brush finished bowls. Sink is fully undercoated. Basket strainer waste fittings (3 1/2", 89 mm) are included. Sink is backed with a limited lifetime warranty.

- O.D. 17 3/4" x 30 7/8" x 8 1/2" (45 x 78 x 22 cm)
- Recommended for minimum 36" cabinet

↑

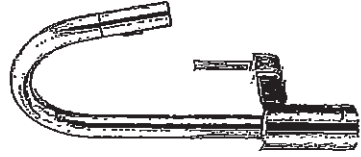
C2- COUNTRY LANE
LOT 530
20-2217-AL ELEV A
THE HAZELWOOD

21 of 39

STANDARD KITCHEN FAUCET

Align

Modern



Single Handle Pull-Down Kitchen
Faucet*

Model 7565†

T.M.

C2-COUNTRY LANE
LOT 530
20-2217-AL ELEV A
THE HAZELWOOD

22 of 39



**BOULEVARD®
PEDESTAL SINK**
VITREOUS CHINA

BOULEVARD® PEDESTAL SINK

- 0641.800 Faucet holes on 8" (203mm) centers (illustrated).
- 0641.400 Faucet holes on 4" (102mm) centers
- 0641.100 Center hole only
 - Classic styled rectangular pedestal lavatory
 - Vitreous china
 - Rear overflow
 - Supplied with mounting kit
 - Right Height® for greater comfort during use
 - Faucet ledge with large deck area (faucet not included)
 - Design coordinates with Boulevard® Toilet
 - Bash has flat bottom to also allow use as an above counter sink or a drop-in sink (with u-shaped cut out)

Nominal Dimensions:

24" x 19" x 35-1/2"
(610 x 483 x 902mm)

- 0641.008 Pedestal top-8" (203mm) centers
- 0641.004 Pedestal top-4" (102mm) centers
- 0641.001 Pedestal top-center hole only
- 0010.000 Pedestal only

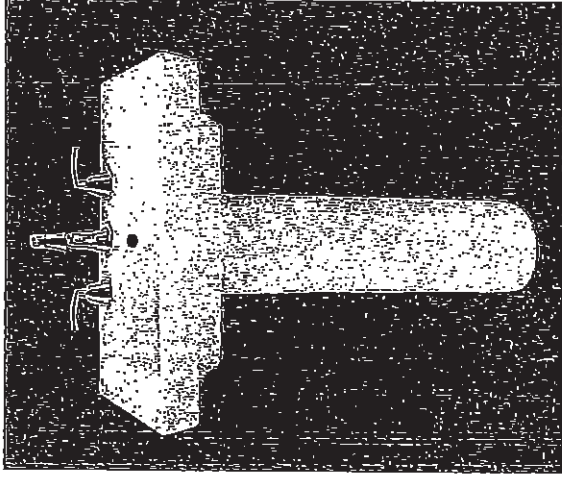
Bowl sizes:

17" (432mm) wide,
12-1/2" (318mm) front to back,
5" (127mm) deep

Compliance Certifications -

Meets or Exceeds the Following Specifications:

- ASME A112.19.2 - 2008/CSA B45.1-08



SEE REVERSE FOR ROUGHING-IN DIMENSIONS

To Be Specified:
<input type="checkbox"/> Color: <input type="checkbox"/> White <input type="checkbox"/> Linen
<input type="checkbox"/> Faucet Finish:
<input type="checkbox"/> Supplies:
<input type="checkbox"/> 1-1/4" Trap:
<input type="checkbox"/> Nipple:

* See faucet section for additional models available

11-13

COLONY COUNTERTOP SINK

- Vitreous china
 - Self-rimming
 - Front overflow
 - Supplied with template
 - Faucet deck
- (Faucet shown not included)

- 0346 803**
 Faucet holes on 203mm (8") centres
- 0346 403** (Illustrated)
 Faucet holes on 102mm (4") centres
- 0346 001**
 Centre hole only

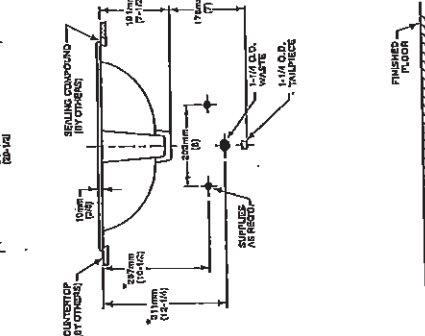
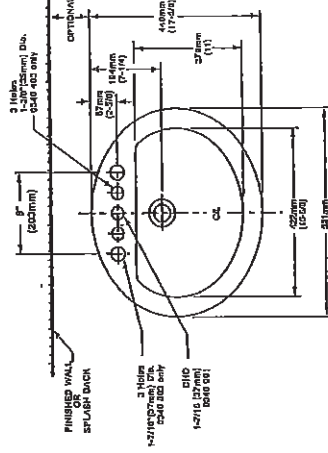
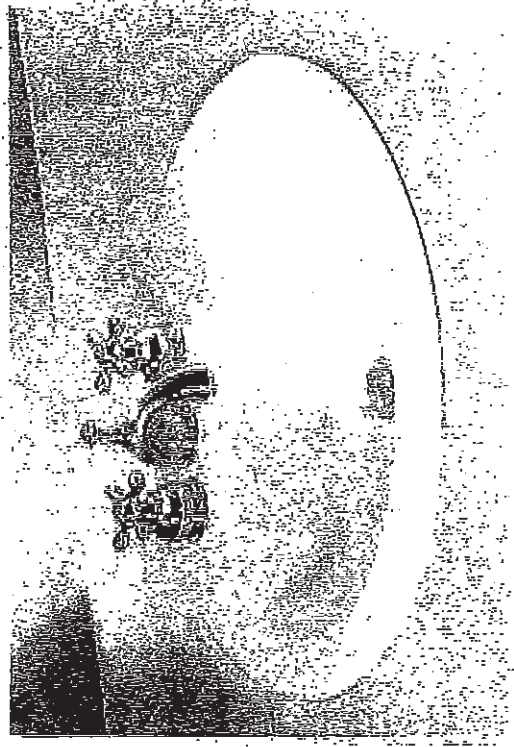
Nominal Dimensions:
 521 x 448mm (20-1/2" x 17-5/8")
Bowl sizes:
 422mm (16-5/8") wide, 279mm (11") front to
 back, 143mm (5-5/8") deep

COMPLIANCE CERTIFICATIONS –
 Meets or exceeds the following Specifications:
 • ASME A112.19.2M for Vitreous China Fixtures.
 • CAN/CSA B45 Series.

To Be Specified

- Colour: White Bone Silver Gray
- Linen
- Faucet*:
- Faucet Finish:
- Supplies & Stops:
- Trap 1-1/4" (32 mm):

* See faucet section for additional models available

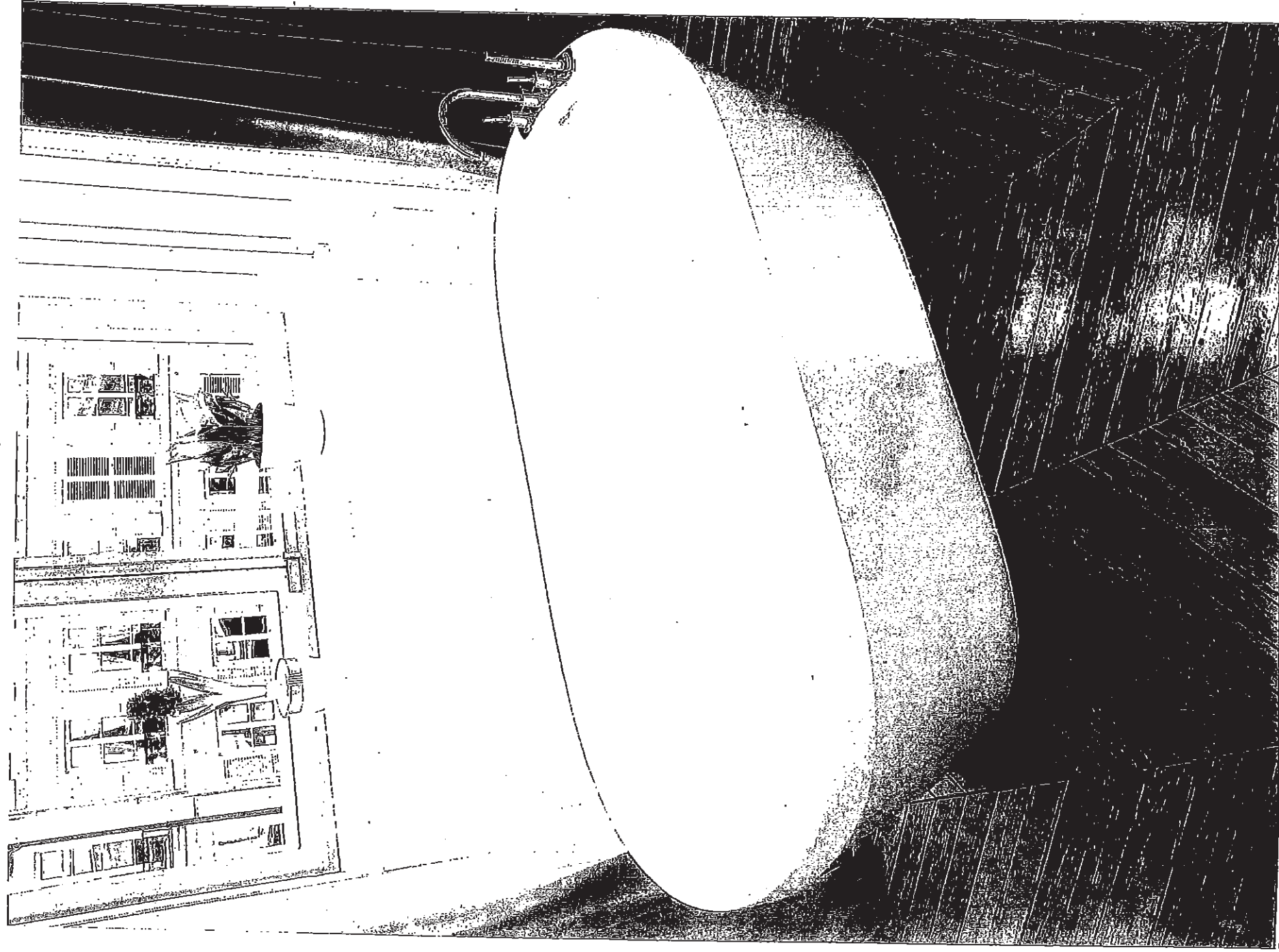


NOTES:
 * DIMENSIONS SHOWN FOR LOCATION OF SUPPLIES AND "P" TRAP ARE SUGGESTED. FOR COUNTERTOP CUTOUT AND INSTALLATION INSTRUCTIONS USE TEMPLATE SUPPLIED WITH SINK.
 FAUCETS NOT INCLUDED AND MUST BE ORDERED SEPARATELY.
 IMPORTANT: Dimensions of fixtures are nominal and may vary within the range of tolerances established by ANSI Standard A112.19.2.
 These measurements are subject to change or cancellation. No responsibility is assumed for use of superseded or voided pages.

F.M

C2 COUNTRY LANE
LOT 530
22-2217 AL ELEV A
THE HAZELWOOD

24 of 39



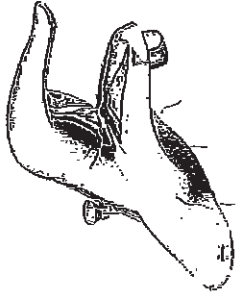
Demt GF2007

C2- COUNTRY LANE
LOT 530
20-2217-AL ELEV A
THE HAZELWOOD

25.1r 39

Chateau

Transitional



Lavatory Faucet with Pop-Up Drain
Model L4621+

VANITY SINKS AND PEDESTAL



Posi-Temp® Pressure Balancing Tub/Shower
Model 62320 / TL183+

OR

Posi-Temp Valve and Tub/Shower Trim
with Eco-Performance Easy Clean® XL

Model 62320 / TL183EP+
(TL183EP not available in BC)



2 Handle Roman Tub with 9" Spout
Model 4796 / T990+

FREESTANDING TUB FAUCETS

SHOWER AND 5' TUB FAUCETS

T.M.

Cyclone

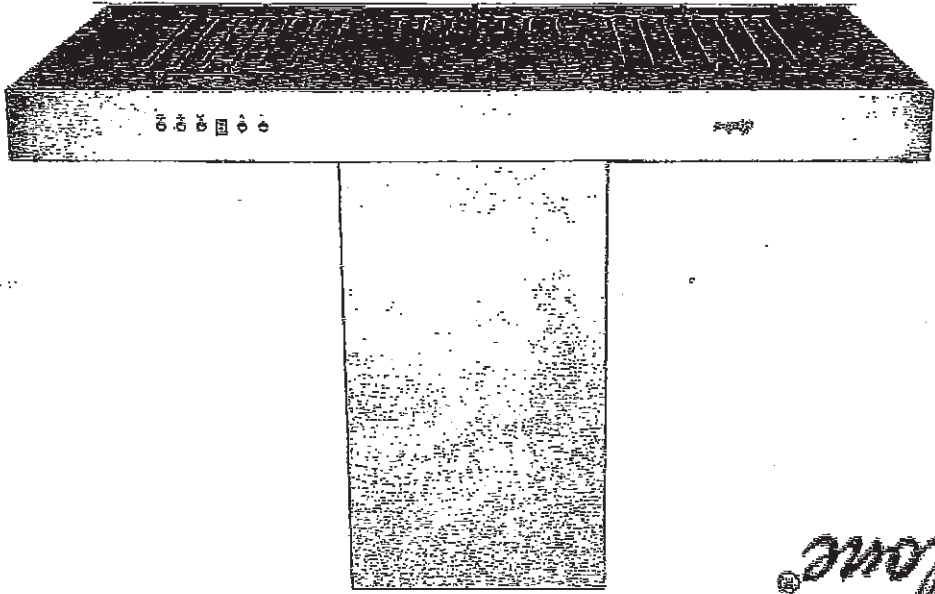
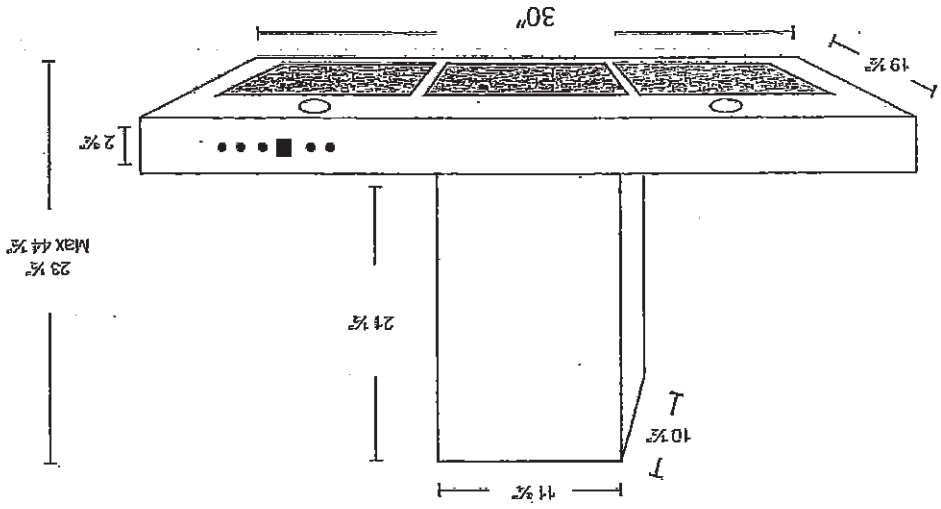
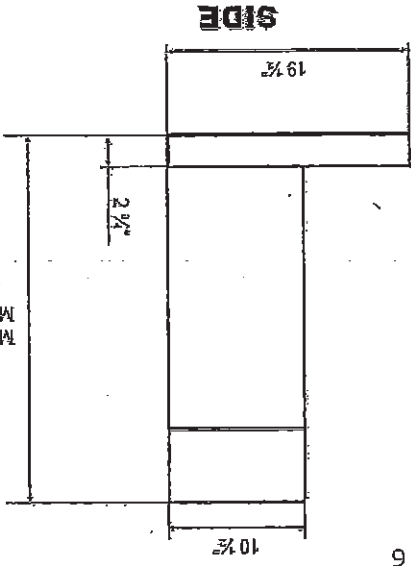
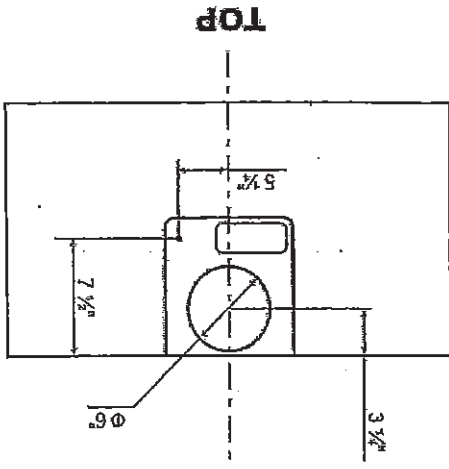
SCB51430 Canopy Hood

Alito Collection

Makes a statement of strength and power as the stainless steel frame gleams under your kitchen lights. It features baffle filters, tow bright LED lights in each corner, a three speed control panel, and a quiet, powerful motor. The bold design and strong stainless steel frame encasing the fan will make this machine the focus of your kitchen. Fitted with time-delay "OFF" options up to nine minutes.

Specifications

- Air Flow Volume: 550 CFM
- Colours: Stainless Steel
- Dimensions: W:30" H:44.5" D:19.5"
- Electrical Connection: 120V/60Hz
- Electrical Consumption: 200 watts
- Fan Speed: 1254 RPM
- Sones: Min. at 2 and Max at 6
- Venting: 6" Round (Top Only)



26 of 39

C2- COUNTRY LANE
 LOT 530
 20-2217-AL ELEV A
 THE HAZELWOOD

C2-COUNTRY LANE
 LOT 530
 20-2217-AL ELEV A
 THE HAZELWOOD

27 of 39



Bottom Mount Refrigerator

PRODUCT MODEL NUMBERS

WRF532SMB WRF535SMB
 WRF535SMB WRF540CWB

Electrical: A 115-volt, 60-Hz, AC-only, 15- or 20-amp fused, grounded electrical supply is required. It is recommended that a separate circuit serving only your refrigerator be provided. Use an outlet that cannot be turned off by a switch. Do not use an extension cord.

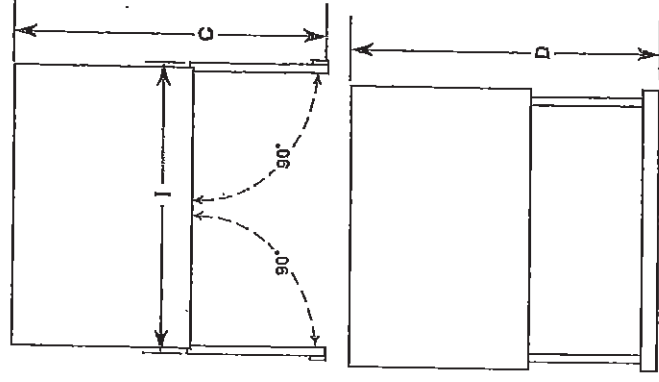
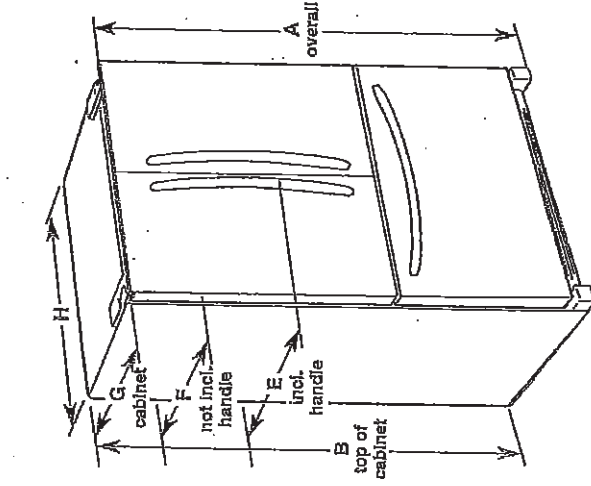
NOTE: Before performing any type of installation, cleaning, or removing a light bulb, turn the control (Thermostat, Refrigerator or Freezer Control depending on the model) to OFF and then disconnect the refrigerator from the electrical source. When you are finished, reconnect the refrigerator to the electrical source and reset the control (Thermostat, Refrigerator or Freezer Control depending on the model) to the desired setting. See "Using the Controls."

Water: A cold water supply with water pressure between 30 and 120 psi (207 and 827 kPa) is required to operate the ice maker and water dispenser. If you have questions about your water pressure, call a licensed, qualified plumber.

IMPORTANT: The pressure of the water coming out of a reverse osmosis system going to the water inlet valve of the refrigerator needs to be between 35 and 120 psi (241 and 827 kPa).

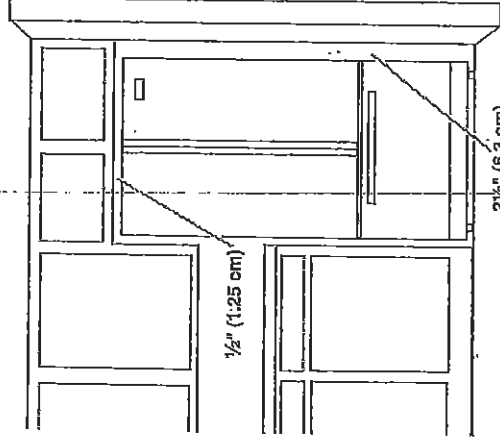
Reverse Osmosis Water Supply: If a reverse osmosis water filtration system is connected to your cold water supply, the water pressure to the reverse osmosis system needs to be a minimum of 40 to 60 psi (276 to 414 kPa).

PRODUCT DIMENSIONS



Model Number/Size	Height - Overall "A"	Height - Top of Cabinet "B"	Depth - Doors Open 90° "C"	Depth - Drawer Open "D"	Depth - With Handles "E"	Depth - Without Handles "F"	Depth - Cabinet Only "G"	Width - Cabinet "H"	Width - Door Open 90° "I"
WRF535SMB 25.2 cu. ft.	70 1/4" (176.1 cm)	68 3/4" (174.8 cm)	48 1/4" (122.1 cm)	53 1/4" (135 cm)	35 3/4" (90 cm)	32 3/4" (83.7 cm)	29 1/4" (74 cm)	35 3/4" (90.5 cm)	43 3/4" (110.2 cm)
WRF535SMB 25.2 cu. ft.	70 1/4" (176.1 cm)	69 1/4" (174.8 cm)	48 1/4" (122.1 cm)	53 1/4" (135 cm)	35 3/4" (90 cm)	32 3/4" (83.7 cm)	29 1/4" (74 cm)	35 3/4" (90.5 cm)	43 3/4" (110.2 cm)
WRF532SMB 22.1 cu. ft.	70 1/4" (176.1 cm)	68 1/4" (174.8 cm)	47 1/4" (119.5 cm)	52 1/4" (132.4 cm)	34 1/4" (87.5 cm)	31 1/4" (79.1 cm)	28 1/4" (71.4 cm)	32 1/4" (82.9 cm)	42 3/4" (107.6 cm)
WRF540CWB 20 cu. ft.	70 1/4" (176.1 cm)	68 1/4" (174.8 cm)	48" (121.9 cm)	44 1/4" (113.0 cm)	29 1/4" (74.6 cm)	28" (71.1 cm)	24 1/4" (61.3 cm)	35 3/4" (90.5 cm)	39 1/4" (100.0 cm)

LOCATION REQUIREMENTS



To ensure proper ventilation for your refrigerator, allow for a 1/2" (1.25 cm) space on each side and at the top. Allow for 1" (2.54 cm) of space behind the refrigerator. If your refrigerator has an ice maker, make sure you leave some extra space at the back for the water line connections.

If you are installing your refrigerator next to a fixed wall, leave 2 1/2" (6.3 cm) minimum on the hinge side (some models require more) to allow for the door to swing open.

NOTE: This refrigerator is intended for use in a location where the temperature ranges from a minimum of 55°F (13°C) to a maximum of 110°F (43°C). The preferred room temperature range for optimum performance, which reduces electricity usage and provides superior cooling, is between 60°F (15°C) and 90°F (32°C). It is recommended that you do not install the refrigerator near a heat source, such as an oven or radiator.

Because Whirlpool Corporation policy includes a continuous commitment to improve our products, we reserve the right to change materials and specifications without notice.

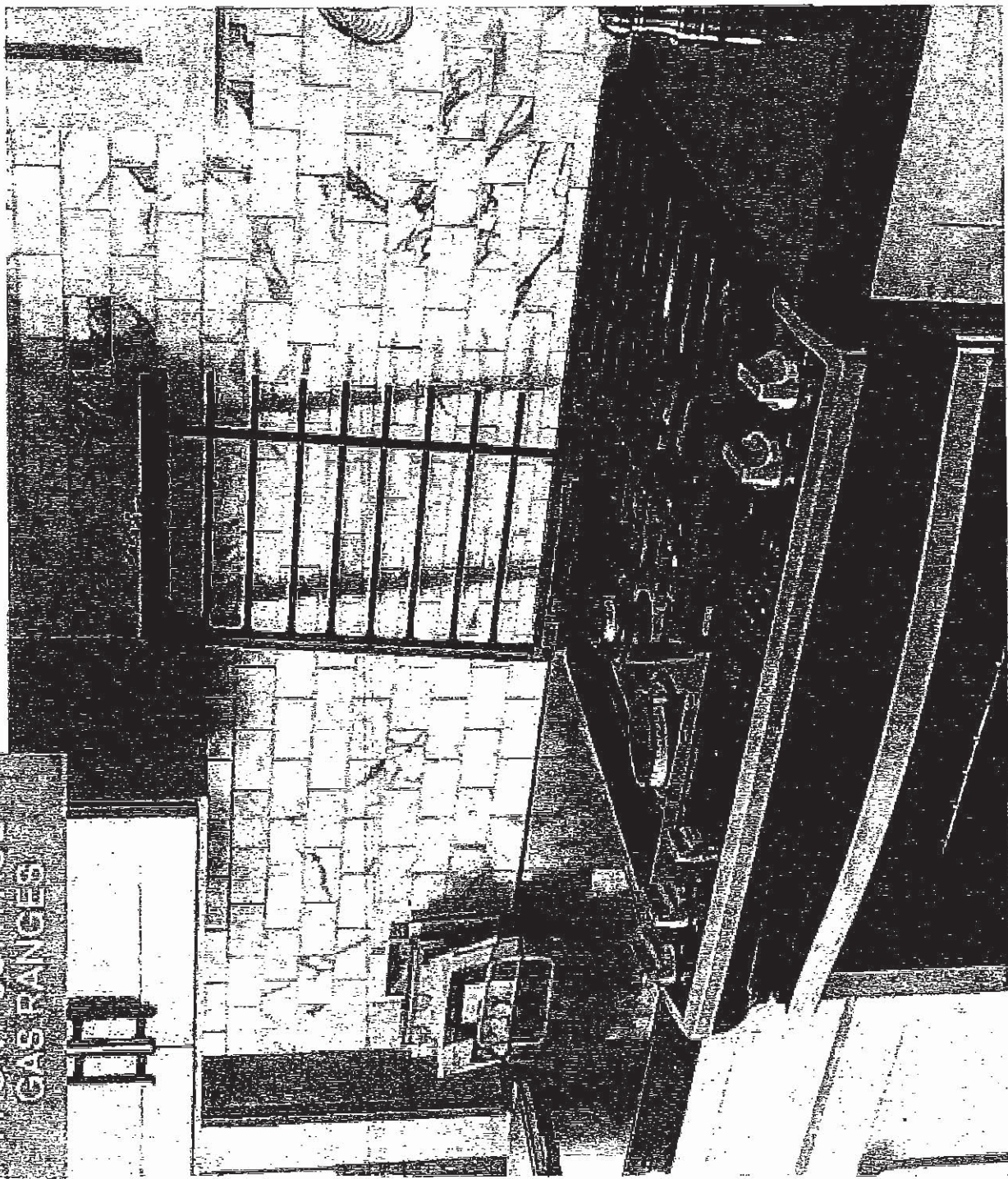
Ref. W10587594B
 10/1/14

C2- COUNTRY LANE
LOT 530
20-2217-AL ELEV A
THE HAZELWOOD

28 of 39

Whirlpool

FRONT CONTROL
GAS RANGES



FEATURING



TimeSavor™ system

The TimeSavor™ system's Frozen Bake Technology allows you to skip preheating for favorites like pizza, lasagna, chicken nuggets, fries or pies so you can cook frozen foods faster.



HeatRight™ system

The HeatRight™ system's True convection helps you to cook food faster, with a rear fan and third heating element to circulate hot air over, under, and around food.



CompleteClean™ system

The CompleteClean™ system's EZ-2-Lift™ hinged grates give you quick access to spills on the cooktop. The industry first hinged design allows you to wipe up under them without removing them entirely. For a more thorough clean, the grates are also dishwasher-safe.

Every day, care.

From the #1 Selling Appliance brand in the USA!

28

C2-COUNTRY LANE
 LOT 530
 20-2217-AL ELEV A
 THE HAZELWOOD

30 of 39

Whirlpool®

30" (76.2 cm) Slide-in Gas Range

C

PRODUCT MODEL NUMBERS

WEG760HDD

WEG746HQF

GAS SUPPLY REQUIREMENTS

Gas supply line:

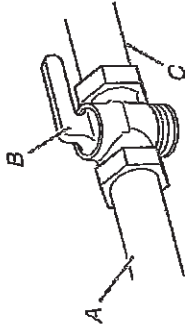
- Provide a gas supply line of 3/4" (1.9 cm) rigid pipe to the range location. A smaller size pipe or longer runs may result in insufficient gas supply. With LP gas, piping or tubing size can be 1/2" (1.3 cm) minimum. Usually, LP gas suppliers determine the size and materials used in the system.
- NOTE: Pipe-joint compounds that resist the action of LP gas must be used. Do not use TEFLON® tape.

Flexible metal appliance connector:

- If local codes permit, a new CSA design-certified, 4 to 5 ft (122 to 152.4 cm) long, 1/2" (1.3 cm) or 3/4" (1.9 cm) I.D., flexible metal appliance connector may be used for connecting range to the gas supply line.



- A 1/2" (1.3 cm) male pipe thread is needed for connection to the female pipe threads of the inlet to the appliance pressure regulator.
- Do not kink or damage the flexible metal tubing when moving the range.
- Must include a shutoff valve:
 The supply line must be equipped with a manual shutoff valve. This valve should be located in the same room but external to the range opening, such as an adjacent cabinet. It should be in a location that allows ease of opening and closing. Do not block access to shutoff valve. The valve is for turning on or shutting off gas to the range.



- A. Gas supply line
- B. Shutoff valve "open" position
- C. To range

Gas Pressure Regulator

The gas pressure regulator supplied with this range must be used. The inlet pressure to the regulator should be as follows for proper operation:

Natural gas:

Minimum pressure: 6" WCP
 Maximum pressure: 14" WCP

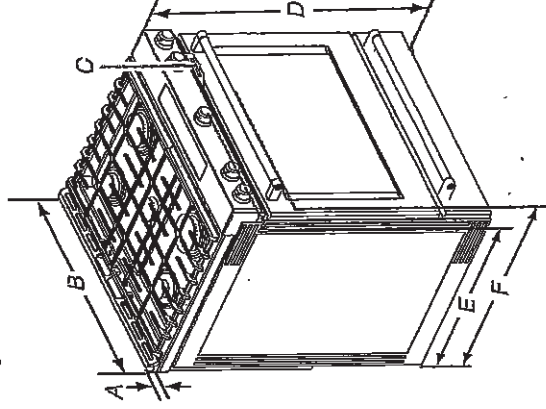
LP gas:

Minimum pressure: 11" WCP
 Maximum pressure: 14" WCP

Contact local gas supplier if you are not sure about the inlet pressure.

PRODUCT DIMENSIONS

This manual covers several models. Your model may appear different from the models depicted. Dimensions given are maximum dimensions across all models.



- A. 17 1/8" (43.0 cm) height from cooktop to top of vent
- B. 29 1/4" (75.9 cm)
- C. Model/serial number plate (located behind the oven door or the top right-hand side of the oven frame)
- D. 36" (91.4 cm) height to top of cooktop edge with leveling legs screwed all the way in*
- E. 28 1/4" (71.9 cm) max. depth from front of console to back of range.
- F. 28 1/4" (73.3 cm) max. depth from handle to back of range.

IMPORTANT: Range must be level after installation. Follow the instructions in the "Level Range" section. Using the cooktop as a reference for leveling the range is not recommended.

* Range can be raised approximately 1" (2.5 cm) by adjusting the leveling legs.

Type of Gas

Natural gas:

- This range is factory set for use with Natural gas. See "Gas Conversions" section. The model/serial rating plate located behind the control panel has information on the types of gas that can be used. If the types of gas listed do not include the type of gas available, check with the local gas supplier.

LP gas conversion:

Conversion must be done by a qualified service technician. No attempt shall be made to convert the appliance from the gas specified on the model/serial rating plate for use with a different gas without consulting the serving gas supplier. See "Gas Conversions" section.

TEFLON is a registered trademark of Chemours.

**C2-COUNTRY LANE
LOT 530
20-2217-AL ELEV A
THE HAZELWOOD**

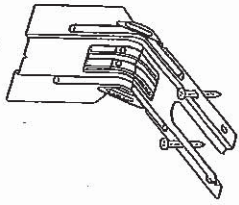
31 of 39

WHIRLPOOL YWEE510S0FS

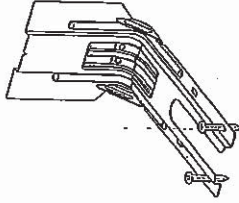
4.8 cu. ft. guided Electric Front Control Range with the easy-wipe ceramic glass cooktop

- Drill two 1/8" (3 mm) holes that correspond to the bracket holes of the determined mounting method. See the following illustrations.

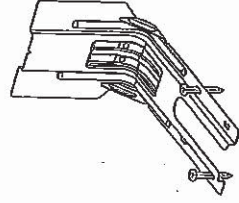
Floor Mounting



Rear position



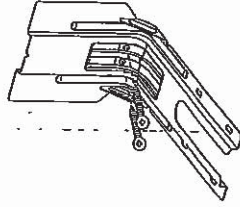
Front position



Diagonal (2 options)

<p>! WARNING</p>	
<p>Tip Over Hazard</p>	
<p>A child or adult can tip the range and be killed.</p>	
<p>Install anti-tip bracket to floor or wall per installation instructions.</p>	
<p>Slide range back so rear range foot is engaged in the slot of the anti-tip bracket.</p>	
<p>Re-engage anti-tip bracket if range is moved.</p>	
<p>Do not operate range without anti-tip bracket installed and engaged.</p>	
<p>Failure to follow these instructions can result in death or serious burns to children and adults.</p>	

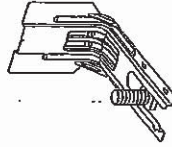
Wall Mounting



- Using the two #10 x 1 1/2" (4.1 cm) Phillips-head screws provided, mount anti-tip bracket to the wall or floor.

- Move range close enough to opening to allow for final electrical connections. Remove shipping base, cardboard, or hardboard from under range.

- Move range into its final location, making sure rear leveling leg slides into anti-tip bracket.



- Move range forward onto shipping base, cardboard, or hardboard to continue installing the range, using the following installation instructions.

Adjust Leveling Legs

- If range height adjustment is necessary, use a wrench or pliers to loosen the 4 leveling legs.
This may be done with the range on its back or with the range supported on 2 legs after the range has been placed back to a standing position.

- Measure the distance from the top of the counter to the floor.
- Measure the distance from the top of the cooktop to the bottom of the leveling legs. This distance should be the same. If it is not, adjust the leveling legs to the correct height. The leveling legs can be loosened to add up to a maximum of 1" (2.5 cm). A minimum of 3/16" (5 mm) is needed to engage the anti-tip bracket.

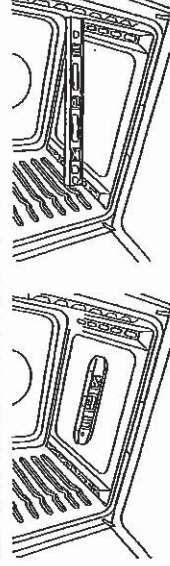
NOTE: If height adjustment is made when range is standing, tilt the range back to adjust the front legs, and then tilt forward to adjust the rear legs.

- When the range is at the correct height, check that there is adequate clearance under the range for the anti-tip bracket. Before sliding range into its final location, check that the anti-tip bracket will slide under the range and onto the rear leveling leg prior to anti-tip bracket installation.

NOTE: If a Trim Kit will be used, the top of the cooktop should be higher than the counter. See the installation instructions included with the Trim Kit for the correct height.

Level Range

- Place level on the oven bottom, as indicated in one of the 2 figures below, depending on the size of the level. Check with the level side to side and front to back.



- If range is not level, use a wrench or pliers to adjust leveling legs up or down until the range is level.

T.M.

C2- COUNTRY LANE
 LOT 530
 20-2217-AL ELEV A
 THE HAZELWOOD

32 of 39



Whirlpool® Undercounter Dishwasher

PRODUCT MODEL NUMBERS

- | | | |
|-----------|-----------|-----------|
| WDF110PAB | WDF310PLA | WDE530PSX |
| WDF111PAB | WDF320PAD | WDF540PAD |
| WDF120PAF | WDF510PAY | WDF730PAY |
| WDF121PAF | WDF520PAD | WDT170PAY |
| WDF310PAV | WDF530PAD | WDT720PAD |
| WDF310PCA | WDF530PLY | WDT770PAY |

Electrical Requirements: 120-volt, 60-Hz, AC only, 15- or 20-amp, fused electrical supply. Copper wire only. A time delay fuse or circuit breaker and separate circuit is recommended.

If direct wiring dishwasher: Use flexible, armored, or nonmetallic, sheathed copper wire with grounding wire that meets the wiring requirements for your home and local codes and ordinances. Use a UL listed or CSA approved conduit connector.

If connecting dishwasher with a power supply cord:

Use Power Supply Cord Kit (Part No. 4317824) marked for use with dishwashers. Follow the kit's

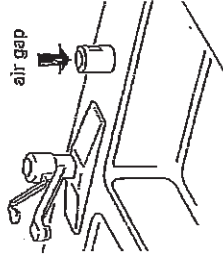
instructions for installing the power supply cord. Power supply cord must plug into a grounded 3-prong, outlet, located in the cabinet next to the dishwasher opening. Outlet must meet all local codes and ordinances.

Water Supply Requirements: A hot water line with 20 to 120 psi (138 to 862 kPa) water pressure. Water temperature must be 120°F (49°C) water at dishwasher. Use 3/8" O.D. copper tubing with compression fitting or flexible braided water supply line (1/2" minimum plastic tubing is not recommended). Use a 90° elbow with 3/4"N.P.T. external pipe threads on one end. Do not solder within 6" (15.2 cm) from water inlet valve.

Drain Requirements: A new drain hose is supplied with your dishwasher. If this is not long enough, use a new drain hose with a maximum length of 12' (3.7 m) (Part No. 3385566) that meets all current AHAM/JAPMO test standards, is resistant to heat and detergent, and fits the 1" (2.5 cm) drain connector of the dishwasher.

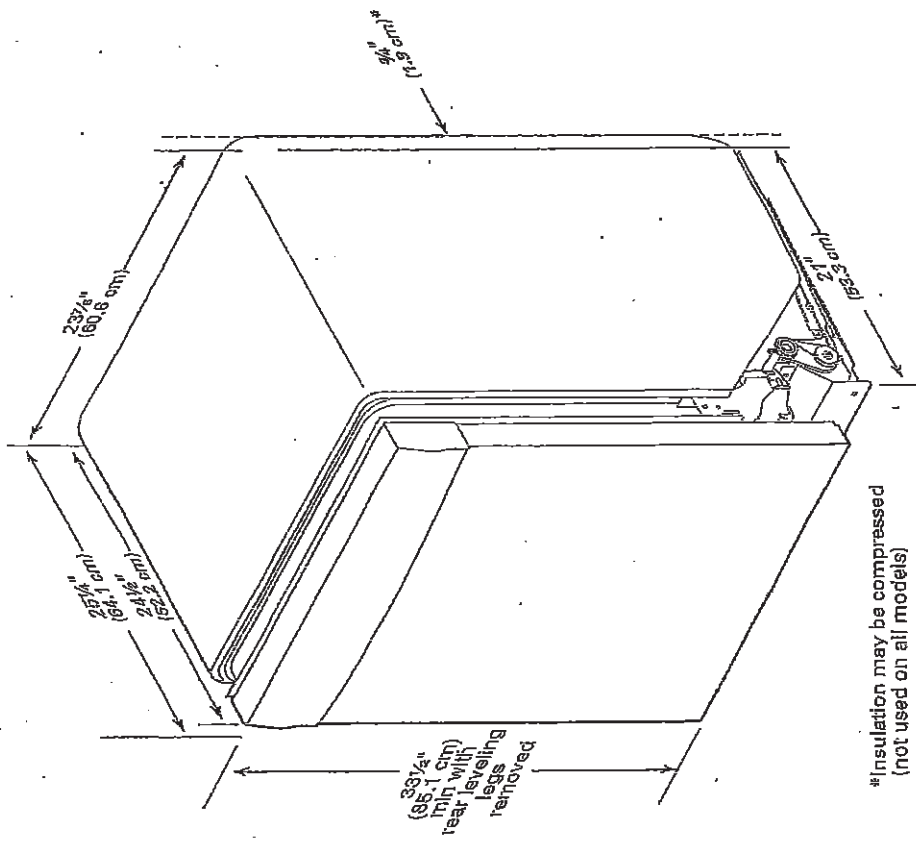
Make sure to connect the drain hose to waste tee or disposer inlet above drain trap in house plumbing and 20" (50.8 cm) minimum above the floor. It is recommended that the drain hose either be looped up and securely fastened to the underside of the counter or be connected to an air gap.

Make sure to use an air gap if the drain hose is connected to house plumbing lower than 20" (50.8 cm) above subfloor or floor.



Use 1/2" (1.3 cm) minimum I.D. drain line fittings. If required, the air gap should be installed in accordance with the air gap installation instructions. When connecting the air gap, a rubber hose (not provided) will be needed to connect to the waste tee or disposer inlet.

PRODUCT DIMENSIONS



*Insulation may be compressed (not used on all models)

M.T.

C2- COUNTRY LANE
LOT 530
20-2217-AL ELEV A
THE HAZELWOOD

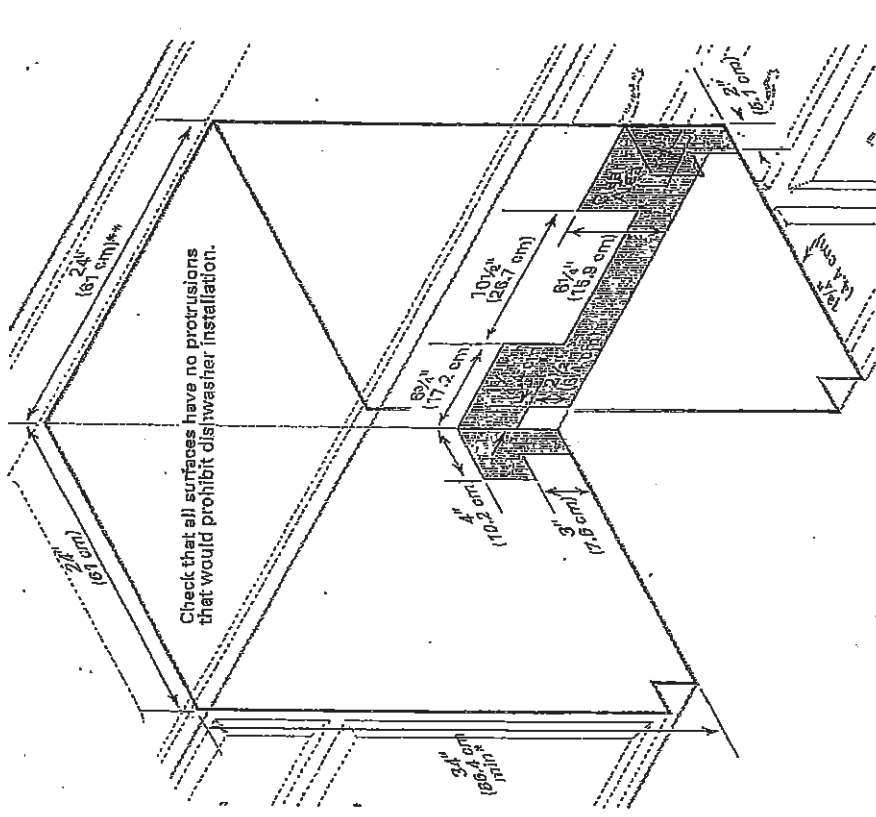
1, 2
33 of 39

CABINET CUTOUT DIMENSIONS

NOTE: Shaded areas of cabinet walls show where utility connections may be installed.

*Measure from the lowest point on the underside of the countertop. May be reduced to 33 1/2" (85.1 cm) by removing the rear leveling legs from dishwasher.

**Minimum, measured from narrowest point of opening.



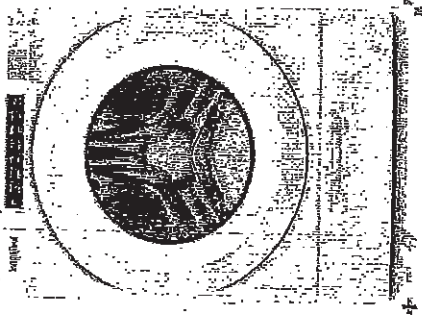
W.M.

C2- COUNTRY LANE
LOT 530
20-2217-AL ELEV A
THE HAZELWOOD

34 of 39

WHIRLPOOL WASHER Model #: WFW5620HW

Whirlpool Brand Canada English | Washer and Dryer | (Whisper) | Front Load Washer | WFW5620HW



5.2 cu. ft. I.E.C. Closet-Depth
Front Load Washer with
Load & Go™ Dispenser



Whirlpool 5.2 cu. ft. I.E.C. Closet-Depth Front Load Washer with Load & Go™
Dispenser

Model #: WFW5620HW

Dimensions

Depth	36.17 cm, 14.24 in
Depth With Door Open 90 Degree	143.51 cm, 56-1/2 in
Minimum Height	98.11 cm, 38-5/8 in
Width	68.58 cm, 27.0 in

Appearance

LCD Touch Screen	No
------------------	----

Window

Yes

Details

Drum Material	Stainless Steel
---------------	-----------------

Cycles and Options

Number of Wash Cycles	87
-----------------------	----

Electrical

Hz	60
----	----

Power Card Included

Yes

3

C2-COUNTRY LANE
 LOT 530
 20-2217-AL ELEV A
 THE HAZELWOOD

35 of 39

WHIRLPOOL WASHER Model #: WFW5620HW

LOCATION REQUIREMENTS

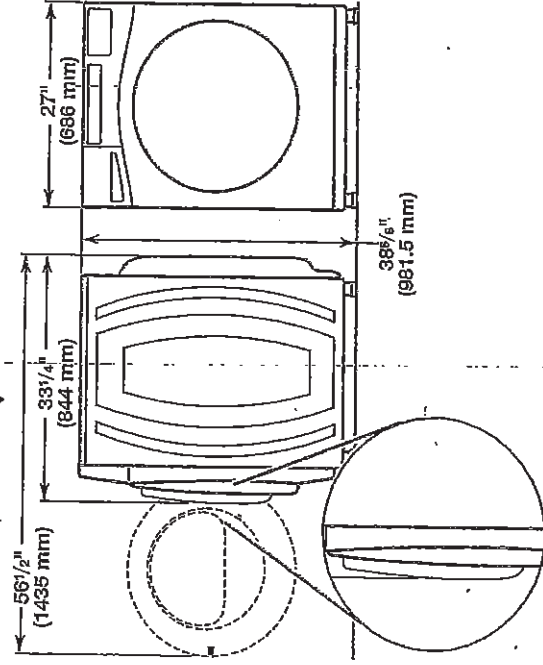
Proper installation is your responsibility.

You will need:

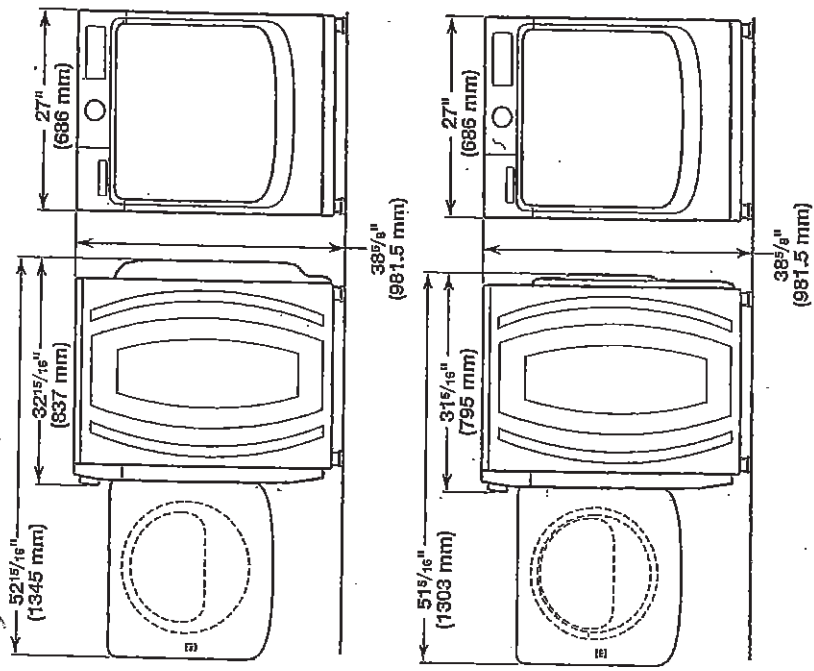
- A water heater set to 120°F (49°C).
- A grounded electrical outlet located within 6 ft (1.8 m) of power cord on back of washer.
- Hot and cold water faucets located within 4 ft (1.2 m) of hot and cold water fill valves on washer, and water pressure of 20–100 psi (137.9–689.6 kPa).
- A level floor with maximum slope of 1" (25 mm) under entire washer. Installing on carpet or surfaces with foam backing is not recommended.
- Floor must support washer's total weight (with water and load) of 315 lbs (143 Kgs).

IMPORTANT: Do not install, store, or operate washer where it will be exposed to weather or in temperatures below 32°F (0°C). Water remaining in washer after use may cause damage in low temperatures. See "Washer/Care" in your Use and Care Guide for winterizing information.

Whirlpool Models* ✓

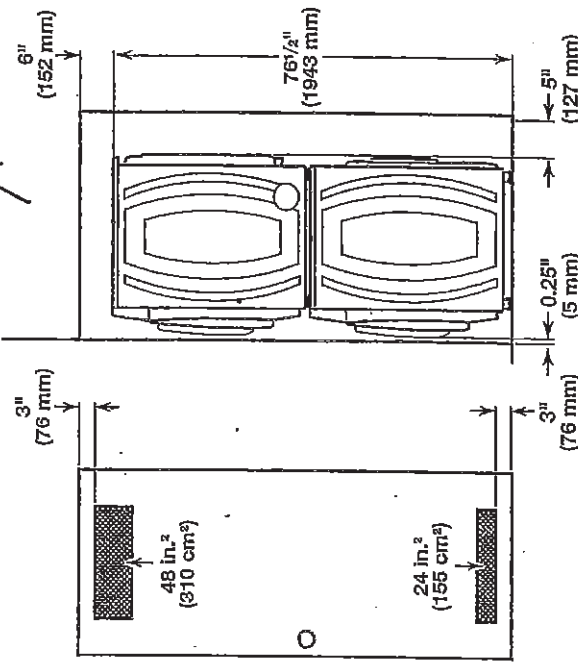


Maytag Models ✗



All dimensions show minimum spacing allowed. For each arrangement, consider allowing more space for ease of installation and servicing, and spacing for companion appliances and clearances for walls, doors, and floor moldings. Space must be large enough to allow door to fully open. Add spacing of 1" (25 mm) on all sides of washer to reduce noise transfer. If a closet door or louvered door is installed, top and bottom air openings in door are required.

Recessed area or closet installation (stacked washer and dryer): ✗



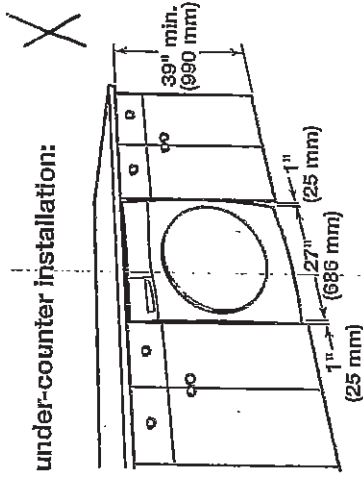
*For additional details (or information) specific to your model, refer to the 'Dimensions' listed for your model at www.whirlpool.com.

C2- COUNTRY LANE
 LOT 530
 20-2217-AL ELEV A
 THE HAZELWOOD

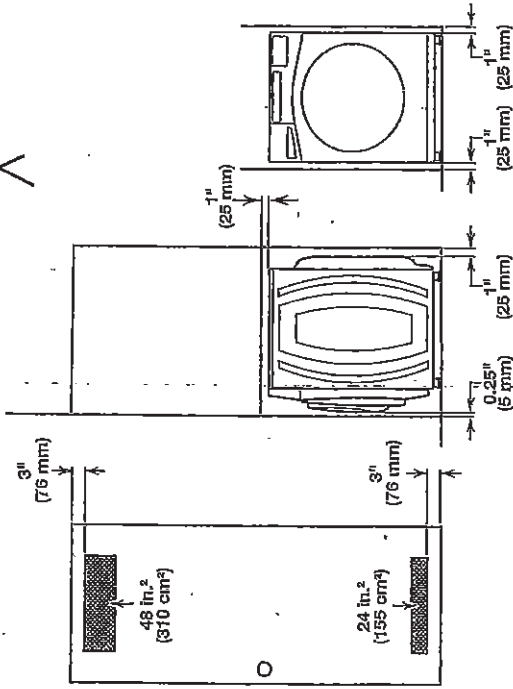
36 of 39

WHIRLPOOL WASHER Model #: WFW5620HW

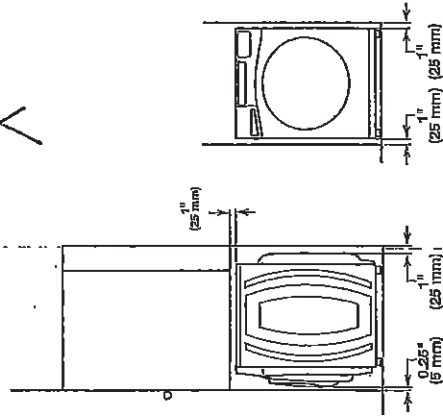
Custom under-counter installation:



Recessed area or closet installation:



Custom cabinet installation:

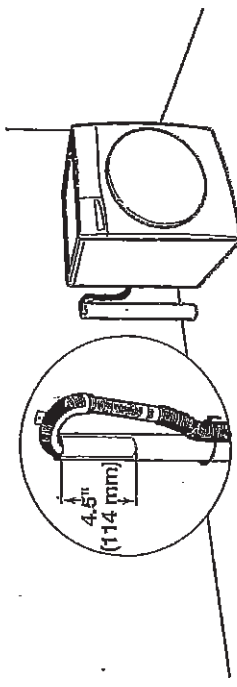


DRAIN SYSTEM

The drain system can be installed using a floor drain, wall standpipe, floor standpipe, or laundry tub. Select the method you need.

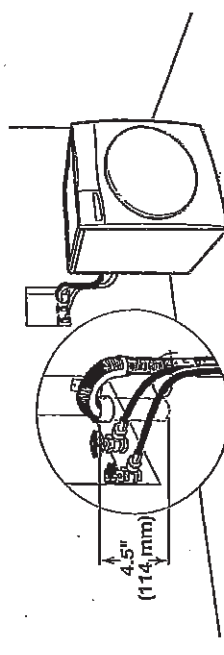
IMPORTANT: To avoid siphoning, only 4.5" (114 mm) of drain hose should be inside standpipe. Always secure drain hose with cable tie.

Floor standpipe drain system



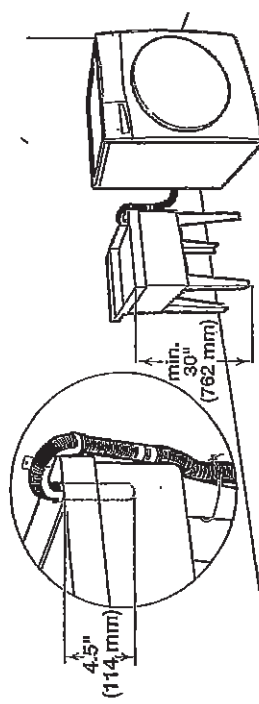
Minimum diameter for a standpipe drain: 2" (51 mm). Minimum carry-away capacity: 17 gal. (64 L) per minute. A 1/4" (6 mm) diameter to 1" (25 mm) diameter Standpipe Adapter Kit is available (Part Number 3363920). Top of standpipe must be at least 30" (762 mm) high; install no higher than 96" (2.44 m) from bottom of washer. If you have an overhead sewer and need to pump higher than 96" (2.44 m), a sump pump and associated hardware are needed. See "Alternate parts."

Wall standpipe drain system



See requirements for floor standpipe drain system.

Laundry tub drain system



Minimum capacity: 20 gal. (76 L). Top of laundry tub must be at least 30" (762 mm) above floor; install no higher than 96" (2.44 m) from bottom of washer.

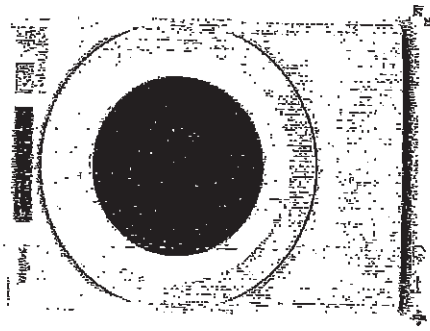
Handwritten initials or mark.

C2-COUNTRY LANE
LOT 530
20-2217-AL ELEV A
THE HAZELWOOD

37 of 39

WHIRLPOOL DRYER Model #: YWED5620HW

Whirlpool Electric Controls English | Ventile and Dryer | Electric Dryer | YWED5620HW



7.4 cu. ft. Front Load Electric
Dryer with Intuitive Touch
Controls



Whirlpool 7.4 cu. ft. Front Load Electric Dryer with Intuitive Touch Controls

Model #: YWED5620HW

Dimensions

Depth	76.74 cm, 31.0 in
Depth With Door Open 90 Degree	158.49 cm, 64-1/2 in
Height	98.42 cm, 38-9/16 in
Width	68.58 cm, 27.0 in

Configuration and Overview

Fuel Type	Electric
-----------	----------

Cycles and Options

Cycle Time Remaining	Yes
Lint Filter Indicator	No
Number of Dryer Cycles	36
Number of Dryness Levels	8

Ventilation Systems

Long Vent	No
Maximum Vent Length	64
Venting Direction	Left, Right, Bottom, Rear

Electrical

Hz	60
Power Cord Included	Yes

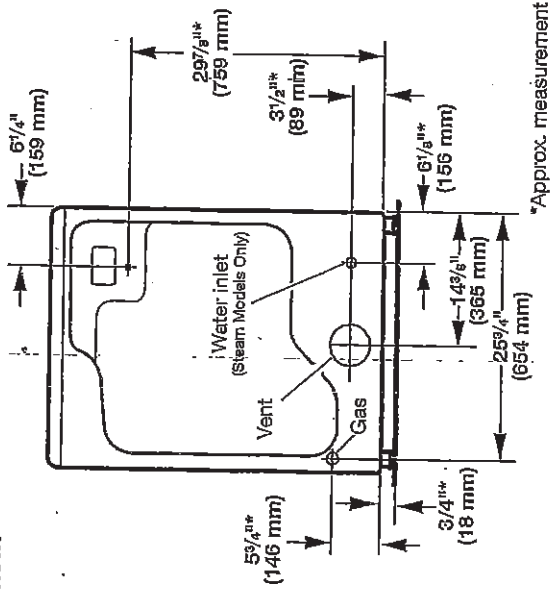
F.M

C2-COUNTRY LANE
 LOT 530
 20-2217-AL ELEV A
 THE HAZELWOOD

38 of 39

WHIRLPOOL DRYER Model #: YWED5620HW

Back view:



NOTE: Most installations require a minimum of 5" (127 mm) clearance behind dryer for exhaust vent with elbow. See "Venting Requirements."

Installation Clearances

For each arrangement, consider allowing more space for ease of installation and servicing, spacing for companion appliances, and clearances for walls, doors, and floor moldings. Space must be large enough to allow door to fully open. Add spacing on all sides of dryer to reduce noise transfer. If a closet door or louvered door is installed, top and bottom air openings in door are required.

Check code requirements. Some codes limit, or do not permit, installation of the dryer in garages, closets, mobile homes, or sleeping quarters. Contact your local building inspector.

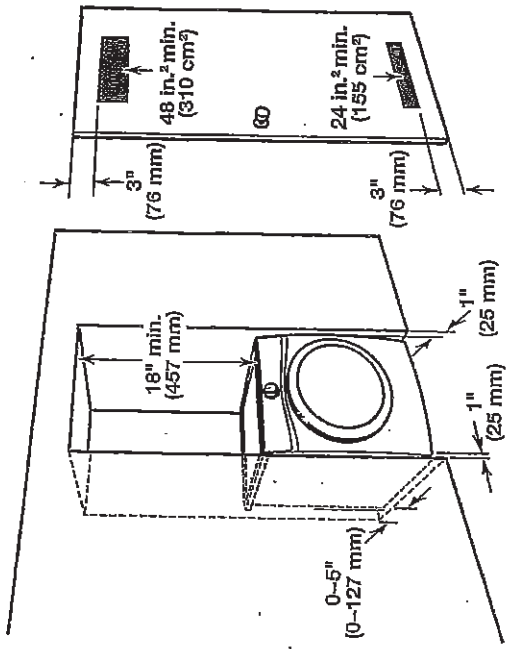
NOTE: No other fuel-burning appliance can be installed in the same closet as a dryer.

Installation spacing for recessed area or closet installation

All dimensions show recommended and minimum spacing allowed.

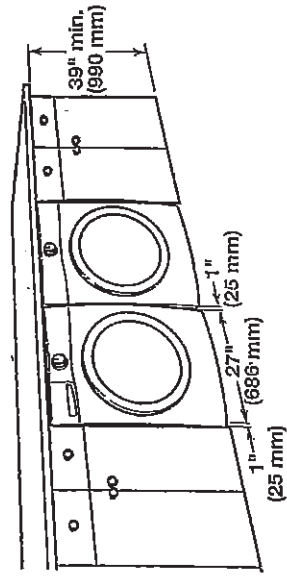
- Additional spacing should be considered for ease of installation and servicing.
- Additional clearances might be required for wall, door, floor moldings, dryer venting, and gas line.
- Additional spacing should be considered on all sides of the dryer to reduce noise transfer.
- For closet installation with a door, minimum ventilation openings in the top and bottom of the door are required. Louvered doors with equivalent ventilation openings are acceptable.
- Companion appliance spacing should also be considered.

Recommended installation clearances (dryer only):



0" (0 mm) rear spacing is allowed for straight back venting only. For steam models only, inlet hose must not be kinked.

Custom under-counter installation:



Mobile home - Additional installation requirements:

This dryer is suitable for mobile home installations. The installation must conform to the Manufactured Home Construction and Safety Standard, Title 24 CFR, Part 3280 (formerly the Federal Standard for Mobile home construction and Safety, Title 24, HUD Part 280) or Standard CAN/CSA-Z240 MH.

Mobile home installations require:

- Metal exhaust system hardware, available for purchase from your dealer. For further information, see "Assistance or Service" in your Use and Care Guide.
- Special provisions must be made in mobile homes to introduce outside air into dryer. Openings (such as a nearby window) should be at least twice as large as dryer exhaust opening.

For mobile home installation of gas dryers:

- Mobile Home Installation Hold-down Kit Part Number 346764 is available to order. For further information, see "Assistance or Service" in your Use and Care Guide.

T.M

C2-COUNTRY LANE
LOT 530
20-2217-AL ELEV A
THE HAZELWOOD

39 of 39

WHIRLPOOL DRYER Model #: YWED5620HW

Additional parts may be required, depending on your installation. Check local codes. Check existing electrical supply and venting. Read "Electrical Requirements" and "Venting Requirements" before purchasing parts.

If using a power supply cord:

Use a UL Listed power supply cord kit marked for use with clothes dryers. The kit should contain:

- A UL Listed 30 amp power supply cord, rated 120/240 volt minimum. The cord should be type SRD or SRDT and be at least 4 ft. (1.22 m) long. The wires that connect to the dryer must end in ring terminals or spade terminals with upturned ends.

- A UL Listed strain relief.

Optional Equipment (not supplied with dryer):

Refer to your Use and Care Guide for information about accessories available for your dryer.

LOCATION REQUIREMENTS

Check code requirements. Some codes limit, or do not permit, installing dryer in garages, closets, mobile homes, or sleeping quarters. Contact your local building inspector.

!WARNING



Explosion Hazard

Keep flammable materials and vapors, such as gasoline, away from dryer.

Place dryer at least 18 inches (460 mm) above the floor for a garage installation.

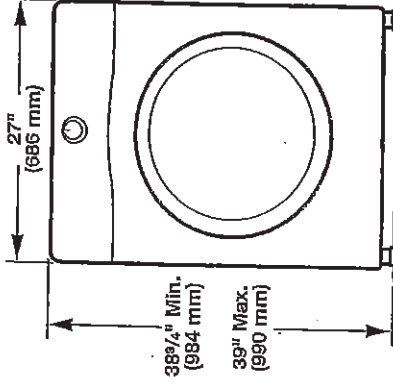
Failure to do so can result in death, explosion, or fire.

You will need:

- A location allowing for proper exhaust installation. See "Venting Requirements."
 - A separate 15 or 20 amp circuit for a gas dryer or 30 amp circuit for an electric dryer.
 - If using power supply cord, a grounded electrical outlet located within 2 ft. (610 mm) of either side of dryer. See "Electrical Requirements."
 - Floor must support dryer weight of 200 lbs. (90.7 kg). Also consider weight of companion appliance.
 - Cold water faucets located within 4 ft. (1.2 m) of the water fill valves, and water pressure of 20-120 psi (138-827 kPa). You may use your washer's water supply by purchasing the necessary parts noted in "Parts needed."
 - Level floor with maximum slope of 1" (25 mm) under entire dryer. If slope is greater than 1" (25 mm), install Extended Dryer Feet Kit, Part Number 279810. If not level, clothes may not tumble properly and automatic sensor cycles may not operate correctly.
 - For garage installation, place dryer at least 18" (460 mm) above floor. If using a pedestal, you will need 18" (460 mm) to bottom of dryer.
 - The dryer must not be installed or stored in an area where it will be exposed to water and/or weather.
- IMPORTANT:** Do not operate, install, or store dryer where it will be exposed to water, weather, or at temperatures below 40°F (4°C). Lower temperatures may cause dryer not to shut off at end of automatic sensor cycles, resulting in longer drying times.

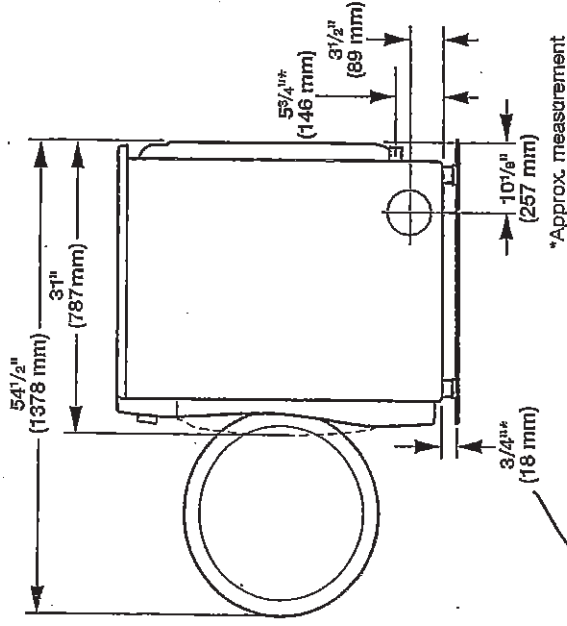
DRYER DIMENSIONS

Front view:



Side view:

Whirlpool Models



Maytag Models

