



25-Aug-21

Interior Finishing Selection Sheet

LOT 003-5

20-2257 ELEV A THE CALVERTON

PURCHASERS: SOBIA HAYAT KHATOON

CONTACT NO: 647-894-8915

TANZEER TANZEER AHMED KHAN

647-949-8915

VENDOR: HEATHWOOD HOMES (UPCOUNTRY) LIMITED

UPG

Appliances

6-34 Kitchen HoodFan

Air King Under Cabinet Range Hood STAINLESS STEEL AV1308 STD 30" **PAGE 34**

Cabinetry

1-9164 Kitchen Cabinet Colour/Style

GEORGIAN MOONLIGHT VIKING II STD 3DL

3-2086 Kitchen Cabinet Hardware

HARDWARE 9677 STD

25-9176 Main Bathroom Cabinet Colour/Style

TRINITY VIVA WEEKEND GETAWAY Viking III STD

29-7672 Main Bathroom Cabinet Hardware

HARDWARE 135 STD

28-8796 Main Bathroom Countertop

Countertop PALOMA POLAR ETCHINGS FINISH 6698-46 Formica

20-9120 Master Ensuite Cabinet Colour/Style

GEORGIAN SLAB ORCHID VIKING III STD 3DL

22-7672 Master Ensuite Cabinet Hardware

HARDWARE 135 STD

21-8822 Master Ensuite Countertop

Countertop WHITE CARRARA 4924-38 Wilsonart

414-8383 Powder Room Lower Level Cabinet Colour/Style

SLAB LPL LATITUDE EAST Viking III LPL

416-7666 Powder Room Lower Level Cabinet Hardware

HARDWARE 96650 STD

415-8800 Powder Room Lower Level Countertop

Countertop INUKSHUK TAUPE P-345 LM Arborite

Carpet

37-9248 Bedroom 2 Flooring

Dynasty Tex 40 oz Poly BLACK ICE DY 89418 STD

38-9248 Bedroom 3 Flooring

Dynasty Tex 40 oz Poly BLACK ICE DY 89418 STD

14-9248 Family Room Flooring

Dynasty Tex 40 oz Poly BLACK ICE DY 89418 STD

36-9248 Master Bedroom Flooring

Dynasty Tex 40 oz Poly BLACK ICE DY 89418 STD

52-1079 Throughout Underpad

Underpad 500 Series STD

Ceramics

16-9106 Foyer Flooring

Madison Series White Matte GE.MD.WHT.1818.MT UPG 1 18" X 18" Matte

17-2225 Foyer Grout

Grout (27) Silver STD

1. The Purchaser acknowledges these selections are subject to the terms and conditions of the applicable Agreement of Purchase and Sale.
2. The Purchaser acknowledges that the Vendor accepts no responsibility in the event the Vendor is unable to supply a selection. The Purchaser agrees to reselect from the currently available selections immediately upon request.
3. The Vendor reserves the right to substitute above materials and equipment with that of equal or better quality.
4. Purchaser acknowledges that items may not be exactly as shown. Variations from the Vendor's samples may occur in finished materials due to normal production processes. Vendor is not responsible for shade difference which may occur from different dye lots or wood grains. Variations from the Vendor's samples will occur with natural materials such as wood, marble, granite, hardwood and brick.
5. The Vendor reserves the right to select Grout & Thresholds that best suits the Tile selected.
6. Selections will not be processed unless signed by Heathwood Homes Head Office.
7. The colour selections made on the Colour Chart are final and cannot be changed once submitted.
8. The Purchaser has checked and acknowledges the accuracy of this Colour Chart.

Aug 25, 2021

Date

Sobia Hayat Khatoon
Purchaser

Purchaser

8/25/21

Date

APPROVED

[Signature]
Decor Consultant

Date

Purchaser

Date Approved HEATHWOOD HOMES (UPCOUNTRY)

LIMITED

LOT 003-5

20-2257 ELEV A THE CALVERTON

PURCHASERS: SOBIA HAYAT KHATOON CONTACT NO: 647-894-8915
 TANZEER TANZEER AHMED KHAN 647-949-8915

VENDOR: HEATHWOOD HOMES (UPCOUNTRY) LIMITED

Ceramics

UPG

- 4-8106 Kitchen Backsplash ONTARIO HEXAGON MATTE TENDER GREY OD.ON.TGR.02.HEX.IMT UPG_2
- 5-2226 Kitchen Backsplash Grout Grout (00) White STD
- 7-9106 Kitchen/Breakfast Flooring Madison Series White Matte GE.MD.WHT.1818.MT UPG 1 18" X 18" Matte
- 8-2225 Kitchen/Breakfast Grout Grout (27) Silver STD
- 66-9106 Laundry Room Flooring Madison Series White Matte GE.MD.WHT.1818.MT UPG 1 18" X 18" Matte
- 67-2225 Laundry Room Grout Grout (27) Silver STD
- 30-8913 Main Bathroom Flooring Biel Bianco (White) UN.BL.BIA.1224 UPG_2 12 x 24 SEE SKETCH # 13 PAGE 25 FOR 12 X 24 TILE DIRECTION
- 31-2225 Main Bathroom Grout Grout (27) Silver STD
- 27-8833 Main Bathroom Tub Wall Tile Uniwall White QT.UW.WHT.0810 STD 8 x 10 INSTALL STACKED HORIZONTALLY
- 26-2226 Main Bathroom Tub Wall Tile Grout Grout (00) White STD
- 23-8075 Master Ensuite Floor Tile Regal Polished Jet Black NY.RG.JBK.1224.PL UPG_4 12 x 24 SEE SKETCH # 13 PAGE 25 FOR 12 X 24 TILE DIRECTION
- 24-7704 Master Ensuite Floor Tile Grout Grout (19) Pearl Gray STD
- 73-8666 Master Ensuite Shower Floor Tile Ontario Series Mosaic Dark Grey OD.ON.DGR.0202.MT.N UPG 1 2 x 2
- 74-2226 Master Ensuite Shower Floor Tile Grout Grout (00) White STD
- 147-8923 Master Ensuite Shower Jamb(s) and Sill(s) Shower Jamb / Sill Thassos White STD
- 104-9020 Master Ensuite Shower Wall Tile Weave White QT.WV.WHT.0810 STD 8 x 10 INSTALL STACKED HORIZONTALLY
- 105-2226 Master Ensuite Shower Wall Tile Grout Grout (00) White STD
- 191-5607 Mud Room Flooring Sauble Anthracite (Black) GE.SU.ATR.1313 STD 13" X 13"
- 190-7704 Mud Room Grout Grout (19) Pearl Gray STD
- 32-9106 Powder Room Flooring Madison Series White Matte GE.MD.WHT.1818.MT UPG 1 18" X 18" Matte

1. The Purchaser acknowledges these selections are subject to the terms and conditions of the applicable Agreement of Purchase and Sale.
 2. The Purchaser acknowledges that the Vendor accepts no responsibility in the event the Vendor is unable to supply a selection. The Purchaser agrees to reselect from the currently available selections immediately upon request.
 3. The Vendor reserves the right to substitute above materials and equipment with that of equal or better quality.
 4. Purchaser acknowledges that items may not be exactly as shown. Variations from the Vendor's samples may occur in finished materials due to normal production processes. Vendor is not responsible for shade difference which may occur from different dye lots or wood grams. Variations from the Vendor's samples will occur with natural materials such as wood, marble, granite, hardwood and brick.
 5. The Vendor reserves the right to select Grout & Thresholds that best suits the Tile selected.
 6. Selections will not be processed unless signed by Heathwood Homes Head Office.
 7. The colour selections made on the Colour Chart are final and cannot be changed once submitted.
 8. The Purchaser has checked and acknowledges the accuracy of this Colour Chart.

Date Aug 25, 2021 Purchaser *Sobia Hayat Khatoon* Date 8/25/2021 Décor Consultant *M. Fozan*
 Date 8/25/2021 Purchaser *Tanzeer Ahmed Khan* Date 8/25/2021



25-Aug-21

Interior Finishing Selection Sheet

LOT 003-5

20-2257 ELEVA THE CALVERTON

PURCHASERS: SOBIA HAYAT KHATOON

CONTACT NO: 647-894-8915

TANZEER TANZEER AHMED KHAN

647-949-8915

VENDOR: HEATHWOOD HOMES (UPCOUNTRY) LIMITED

Ceramics

33-2225 Powder Room Grout

Grout (27) Silver STD

369-9106 Powder Room Lower Level Flooring

Madison Series White Matte GE.MD.WHT.1818.MT UPG 1 18" X 18" Matte

370-2225 Powder Room Lower Level Grout

Grout (27) Silver STD

53-2232 Throughout Thresholds

Metal Thresholds STD

Electrical

90-5796 Throughout Switches and Plug

Decora White Switches and Plugs STD

Fireplace

136-8891 Great Room Fireplace Mantle

Paint Grade Mantle- Cabinet (Per Plan) WHITE NF-17 STD

135-8865 Great Room Fireplace Type

Dimplex FP3033HL Electric Fireplace

Granite

2-9121 Kitchen Countertop

MSI Quartz ICED WHITE Group 1 UPG 3/4" with Mitered Edge

Hardwood

11-7498 Great Room Flooring

VintageE Northern Solid Sawn Engineered Select V : Red Oak Pearl GRYPHON Red Oak Pearl 3/4" x 3 1/4"

367-7498 Lower Level Hall Flooring

VintageE Northern Solid Sawn Engineered Select V : Red Oak Pearl GRYPHON Red Oak Pearl 3/4" x 3 1/4"

100-7498 Main Stairs Landing(s) Flooring

VintageE Northern Solid Sawn Engineered Select V : Red Oak Pearl GRYPHON Red Oak Pearl 3/4" x 3 1/4"

78-7498 Stair Landing to Lower Level Flooring

VintageE Northern Solid Sawn Engineered Select V : Red Oak Pearl GRYPHON Red Oak Pearl 3/4" x 3 1/4"

35-7498 Upper Hall Flooring

VintageE Northern Solid Sawn Engineered Select V : Red Oak Pearl GRYPHON Red Oak Pearl 3/4" x 3 1/4"

Interior Railings

145-8148 Main Stairs Handrail/Pickets/Posts Type

Single Collar Alt. Plain w/ Shoes with 3 1/2" Square/Cap Post(s) BLACK METAL STD

49-8148 Stairs to Lower Level Handrail/Pickets/Posts Type

Single Collar Alt. Plain w/ Shoes with 3 1/2" Square/Cap Post(s) BLACK METAL STD

Interior Stairs

- The Purchaser acknowledges these selections are subject to the terms and conditions of the applicable Agreement of Purchase and Sale.
- The Purchaser acknowledges that the Vendor accepts no responsibility in the event the Vendor is unable to supply a selection. The Purchaser agrees to reselect from the currently available selections immediately upon request.
- The Vendor reserves the right to substitute above materials and equipment with that of equal or better quality.
- Purchaser acknowledges that items may not be exactly as shown. Variations from the Vendor's samples may occur in finished materials due to normal production processes. Vendor is not responsible for shade difference which may occur from different dye lots or wood grains. Variations from the Vendor's samples will occur with natural materials such as wood, marble, granite, hardwood and brick.
- The Vendor reserves the right to select Grout & Thresholds that best suits the Tile selected.
- Selections will not be processed unless signed by Heathwood Homes Head Office.
- The colour selections made on the Colour Chart are final and cannot be changed once submitted.
- The Purchaser has checked and acknowledges the accuracy of this Colour Chart.

Aug 25, 2021

Date

Sobia Hayat
Purchaser

Purchaser

8/25/21

Date Approved

M. Khan
Décor Consultant

Date

Purchaser

Date Approved HEATHWOOD HOMES (UPCOUNTRY)

LIMITED



25-Aug-21

Interior Finishing Selection Sheet

LOT 003-5

20-2257 ELEV A THE CALVERTON

PURCHASERS: SOBIA HAYAT KHATOON CONTACT NO: 647-894-8915
TANZEER TANZEER AHMED KHAN 647-949-8915

VENDOR: HEATHWOOD HOMES (UPCOUNTRY) LIMITED

Interior Stairs

UPG

116-1713 Basement Stairs Type

Paint Grade Stairs STD

142-1712 Main Stairs Type

Oak Stairs UPG_1

45-1712 Stairs to Lower Level Type

Oak Stairs UPG_1

Interior Trim

91-9374 Throughout Trim Size

4 1/4" Baseboards and 2 3/4" Integrated Backband Casings
STD-Towns

Painting

143-7761 Main Stairs Colour

Stain handrail, stringers, treads, risers, nosing & posts. (Metal pickets) STAIRS TO BE STAINED TO COMPLIMENT GRYPHON HARDWOOD. STAIRS WILL VARY FROM FLOORS

46-7761 Stairs to Lower Level Colour

Stain handrail, stringers, treads, risers, nosing & posts. (Metal pickets) STAIRS TO BE STAINED TO COMPLIMENT GRYPHON HARDWOOD. STAIRS WILL VARY FROM FLOORS

240-1716 Throughout Trim - Paint Colour

Trim WHITE STD

51-1717 Throughout Walls - Paint Colour

Wall WARM GREY 22 STD

Plumbing

266-1737 Main Bathroom Plumbing Fixture (Colour)

Plumbing Fixtures WHITE STD

149-1737 Master Ensuite Plumbing Fixture (colour)

Plumbing Fixtures WHITE STD

34-1737 Powder Room Plumbing Fixture (Colour)

Plumbing Fixtures WHITE STD

371-1737 Powder Room Lower Level Plumbing Fixture (Colour)

Plumbing Fixtures WHITE STD

1. The Purchaser acknowledges these selections are subject to the terms and conditions of the applicable Agreement of Purchase and Sale.
2. The Purchaser acknowledges that the Vendor accepts no responsibility in the event the Vendor is unable to supply a selection. The Purchaser agrees to reselect from the currently available selections immediately upon request.
3. The Vendor reserves the right to substitute above materials and equipment with that of equal or better quality.
4. Purchaser acknowledges that items may not be exactly as shown. Variations from the Vendor's samples may occur in finished materials due to normal production processes. Vendor is not responsible for shade difference which may occur from different dye lots or wood grains. Variations from the Vendor's samples will occur with natural materials such as wood, marble, granite, hardwood and brick.
5. The Vendor reserves the right to select Grout & Thresholds that best suits the Tile selected.
6. Selections will not be processed unless signed by Heathwood Homes Head Office.
7. The colour selections made on the Colour Chart are final and cannot be changed once submitted.
8. The Purchaser has checked and acknowledges the accuracy of this Colour Chart.

Aug 25, 2021

Date

Sobha Hayat Khatoon
Purchaser

Purchaser

8/25/21
Date Approved

Date Approved

Décor Consultant

Myra Low

Date Purchaser

Date Approved HEATHWOOD HOMES (UPCOUNTRY)

LIMITED



25-Aug-21

Sales Selection Sheet
8 of 7

LOT 003-5 20-2257 ELEV A THE CALVERTON

PURCHASERS: SOBIA HAYAT KHATOON CONTACT NO: 647-894-8915
TANZEER TANZEER AHMED KHAN 647-949-8915

VENDOR: HEATHWOOD HOMES (UPCOUNTRY) LIMITED

HST #

It is herein understood and agreed between the undersigned parties hereto that the following changes shall be made to the above mentioned Agreement of Purchase and Sale in accordance with the agreement and except for such changes noted below, all other terms and conditions in the Agreement of Purchase and Sale shall remain as stated herein: It is further understood that and agreed that all changes and additions shall be installed as per builder's specifications, location and available selections. The Purchaser hereby agrees to purchase the following extras:

AMOUNT:

Cabinetry

447 Optional Extras QTY: 1
30H- Wall cabinet with shelf for microwave (finished interior) (opening 24"W x 13 3/4"H x 17"D) * electrical priced separately Viking
SEE SKETCH # 12 PAGE 24 FOR LOCATION

475 Optional Extras QTY: 1
04H- 66cm deep fridge enclosure (counter depth) includes [1] 66cm deep cabinet and [1] 66cm deep gable(1-wall beside fridge) (note: this is not a zero clearance enclosure. Standard heights and widths will be used) SKETCH # 12 PAGE 24

Ceramics

954 Upgrade 1 Tile QTY: 1
Foyer Floor

959 Upgrade 1 Tile QTY: 1
Kit/Brk Floor

962 Upgrade 2 Tile QTY: 1
Kitchen Optional Backsplash

956 Upgrade 1 Tile QTY: 1
L. Fir. Pow Floor

958 Upgrade 1 Tile QTY: 1
Laundry Floor

1. This Sales Selection Sheet when properly executed forms part of our Agreement of Purchase and Sale.
2. All extras and upgrades listed above are subject to Construction Progress and Architectural and Municipal requirements.
3. In the event the Vendor is unable to incorporate the work approved above in the construction of the house for any reason whatsoever, the Vendor will not be liable to the Purchaser in any way. The monies paid for any changes or optional extras not proceeded with shall be returned to the Purchaser, without interest. The cost of options or extras is non-refundable in all other circumstances. If for any reason whatsoever the Agreement of Purchase and Sale is not completed, the total cost of work approved above will be retained by the Vendor.
4. The Vendor reserves the right to substitute above materials and equipment with that of equal or better quality.
5. Purchaser acknowledges that items may not be exactly as shown. Variations from the Vendor's samples may occur in finished materials due to normal production processes. Vendor is not responsible for shade difference which may occur from different dye lots or wood grains. Variations from the Vendor's samples will occur with natural materials such as wood, marble, granite, hardwood and brick.
6. The Vendor reserves the right to select Grout & Thresholds that best suits the Tile selected.
7. Selections will not be processed unless signed by Heathwood Homes Head Office.
8. The selections made on this schedule are final and cannot be changed once submitted.
9. The Purchaser has checked and acknowledges the accuracy of this schedule.

Aug 25, 2021 8/25/21
Date Purchaser
Date APPROVED Décor Consultant

Myraan

Date Purchaser
Date Approved HEATHWOOD HOMES (UPCOUNTRY) LIMITED



25-Aug-21

LOT 003-5

PURCHASERS: SOBIA HAYAT KHATOON

CONTACT NO: 647-894-8915

TANZEER TANZEER AHMED KHAN

647-949-8915

VENDOR: HEALTHWOOD HOMES (UPCOUNTRY) LIMITED

HST #

20-2257 ELEV A THE CALVERTON

Sales Selection Sheet of

It is herein understood and agreed between the undersigned parties hereto that the following changes shall be made to the above mentioned Agreement of Purchase and Sale in accordance with the agreement and except for such changes noted below, all other terms and conditions in the Agreement of Purchase and Sale shall remain as stated herein: It is further understood that and agreed that all changes and additions shall be installed as per builder's specifications, location and available selections. The Purchaser hereby agrees to purchase the following extras:

AMOUNT:

960 Upgrade 4 Tile Qty: 1 M. Ensuite Floor

SEE SKETCH # 13 PAGE 25 FOR 12 X 24 TILE DIRECTION

953 Upgrade 1 Tile Qty: 1 M. Ensuite Shower Floor

955 Upgrade 1 Tile Qty: 1 M.Flir.Pow Floor

961 Upgrade 2 Tile Qty: 1 Main Bth Floor

SEE SKETCH # 13 PAGE 25 FOR 12 X 24 TILE DIRECTION

Electrical

314 Optional Extras Qty: 1 KITCHEN

Extra wall interior outlet (120V/15A) on a Separate Circuit (on arcfault) FOR LOCATION
SEE SKETCH # 12 PAGE 24

Granite

967 Optional Upgrade Qty: 1 Kitchen

Countertop 3/4" GROUP 1 with double edge

Plumbing

1. This Sales Selection Sheet when properly executed forms part of our Agreement of Purchase and Sale.
2. All extras and upgrades listed above are subject to Construction Progress and Architectural and Municipal requirements.
3. In the event the Vendor is unable to incorporate the work approved above in the construction of the house for any reason whatsoever the Vendor will not be liable to the Purchaser in any way. The monies paid for any changes or optional extras not proceeded with shall be returned to the Purchaser, without interest. The cost of options or extras is non-refundable in all other circumstances. If for any reason whatsoever the Agreement of Purchase and Sale is not completed, the total cost of work approved above will be retained by the Vendor.
4. The Vendor reserves the right to substitute above materials and equipment with that of equal or better quality.
5. Purchaser acknowledges that items may not be exactly as shown. Variations from the Vendor's samples may occur in finished materials due to normal production processes. Vendor is not responsible for shade difference which may occur from different dye lots or wood grains. Variations from the Vendor's samples will occur with natural materials such as wood, marble, granite, hardwood and brick.
6. The Vendor reserves the right to select Grout & Thresholds that best suits the Tile selected.
7. Selections will not be processed unless signed by Heathwood Homes Head Office.
8. The selections made on this schedule are final and cannot be changed once submitted.
9. The Purchaser has checked and acknowledges the accuracy of this schedule.

Aug 25, 2021 [Signature] 8/25/21
 Purchaser
 Date APPROVED - [Signature] Décor Consultant
 Date

Date Approved HEALTHWOOD HOMES (UPCOUNTRY)
 LIMITED



25-Aug-21

Sales Selection Sheet
OF

LOT 003-5

20-2257 ELEV A THE CALVERTON

PURCHASERS: SOBIA HAYAT KHATOON

CONTACT NO: 647-894-8915

TANZEER TANZEER AHMED KHAN

647-949-8915

VENDOR: HEATHWOOD HOMES (UPCOUNTRY) LIMITED

HST #

It is herein understood and agreed between the undersigned parties hereto that the following changes shall be made to the above mentioned Agreement of Purchase and Sale in accordance with the agreement and except for such changes noted below, all other terms and conditions in the Agreement of Purchase and Sale shall remain as stated herein: It is further understood that and agreed that all changes and additions shall be installed as per builder's specifications, location and available selections. The Purchaser hereby agrees to purchase the following extras:

AMOUNT:

226

STANDARD Kitchen Sink Option

KITCHEN

Qty: 1

KINDRED Kitchen Sink Collection - Reginox NS1930U/9 Stainless Kitchen Single

Bowl Undermount Sink (or equivalent)

PAGE 28

1. This Sales Selection Sheet when properly executed forms part of our Agreement of Purchase and Sale.
2. All extras and upgrades listed above are subject to Construction Progress and Architectural and Municipal requirements.
3. In the event the Vendor is unable to incorporate the work approved above in the construction of the house for any reason whatsoever, the Vendor will not be liable to the Purchaser in any way. The monies paid for any changes or optional extras not proceeded with shall be returned to the Purchaser, without interest. The cost of options or extras is non-refundable in all other circumstances. If for any reason whatsoever the Agreement of Purchase and Sale is not completed, the total cost of work approved above will be retained by the Vendor.
4. The Vendor reserves the right to substitute above materials and equipment with that of equal or better quality.
5. Purchaser acknowledges that items may not be exactly as shown. Variations from the Vendor's samples may occur in finished materials due to normal production processes. Vendor is not responsible for shade difference which may occur from different dye lots or wood grains. Variations from the Vendor's samples will occur with natural materials such as wood, marble/granite, hardwood and brick.
6. The Vendor reserves the right to select Grout & Thresholds that best suits the Tile selected.
7. Selections will not be processed unless signed by Heathwood Homes Head Office.
8. The selections made on this schedule are final and cannot be changed once submitted.
9. The Purchaser has checked and acknowledges the accuracy of this schedule.

Aug 25, 2021

Sobia Hayat Khatoon
Purchaser

Date

8/25/21

Tanzeer Ahmed Khan
Purchaser

Date

Décor Consultant

M. Khan

Date

Purchaser

Date Approved: HEATHWOOD HOMES (UPCOUNTRY) LIMITED

CU UPCOUNTRY
LOT 3-5
20-2257 ELEV A
THE CALVERTON

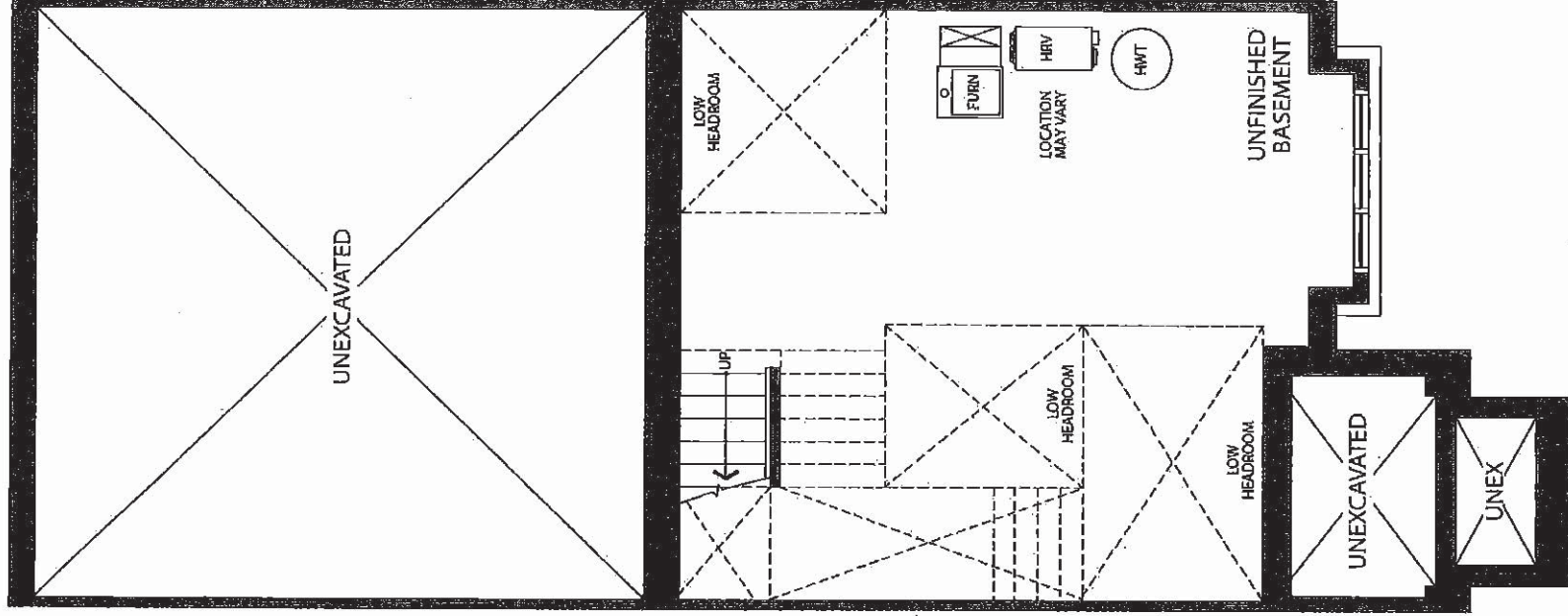
2 of 47

The Calverton

20-2257 ELEV. A

ELEVATION A:
2,212 SQ FT

Sketch #9



BASEMENT
ELEVATION A

SHC

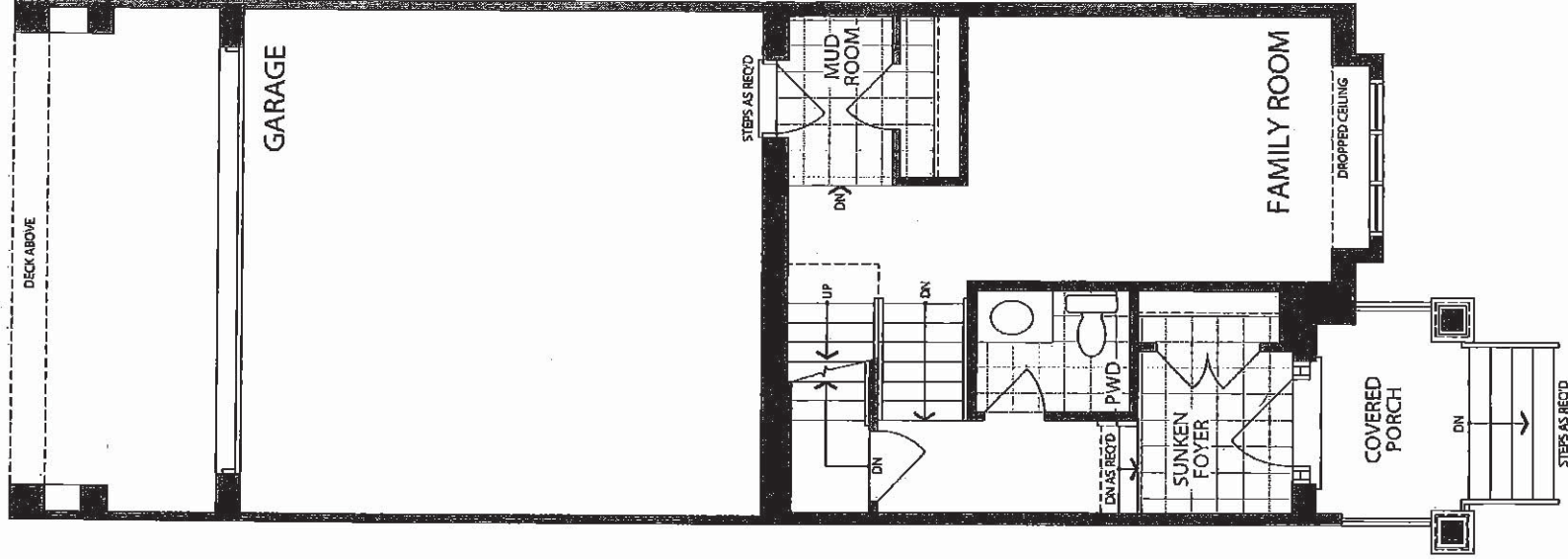
CU UPCOUNTRY
LOT 3-5
20-2257 ELEV A
THE CALVERTON

22 of 47
The Calverton

20-2257 ELEV. A

ELEVATION A:
2,212 SQ FT

Sketch #10



LOWER LEVEL
ELEVATION A

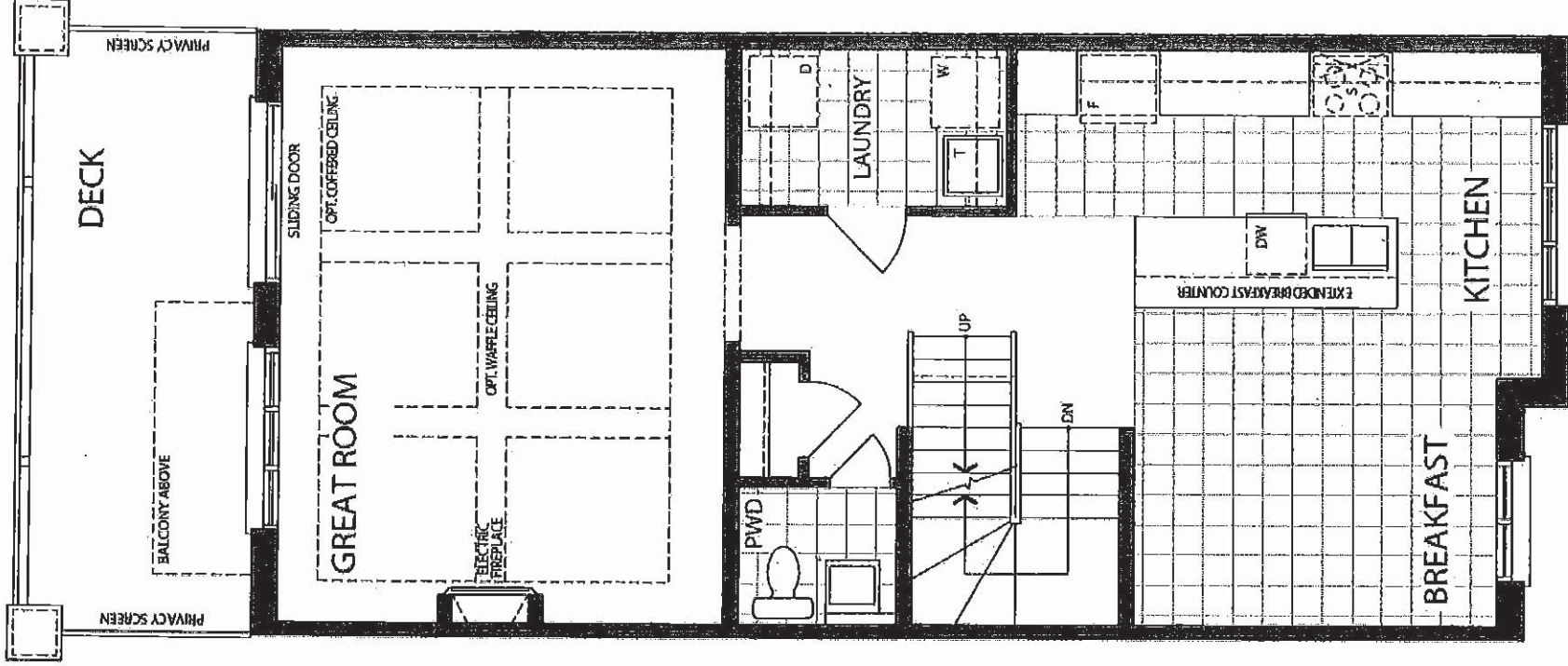
CU UPCOUNTRY
LOT 3-5
20-2257 ELEV A
THE CALVERTON

23 of 47
The Calverton

20-2257 ELEV. A

ELEVATION A:
2,212 SQ FT

Sketch # 11



MAIN LEVEL
ELEVATION A

CU UPCOUNTRY
 LOT 3-5
 20-2257 ELEV A

THE CALVERTON

HEATHWOOD HOMES
 COUNTRY LANE, WHITE

MODEL: 20-2257 (2007)

F R E N D E
 KITCHENS LIMITED



1350 Showman Drive, Millersburg, OH 44661

STANDARD CONTRACT INCLUDES:

- Appliance Openings**
- Hood Opening: 30" W builder hood
 - Fridge Opening: 37 3/8" W X 73 1/2" H
 - Fridge cabinet: 30cm deep
 - Stove Opening: 30" Freestanding
 - Dishwasher Opening: 24"

Standard Kitchens Scope:

- 100cm H wall cabinets
- Std. Blum Hinges - not soft close
- Std. Metabox Drawers - not soft close
- Min 40cm W drawer
- Backing on all cabinets
- Countertop by others
- Upgrade applied paneled fridge & dishwashers supply only (appliance hardware by others)

**Classic Collection
 Optional Upgrade to Includes:**

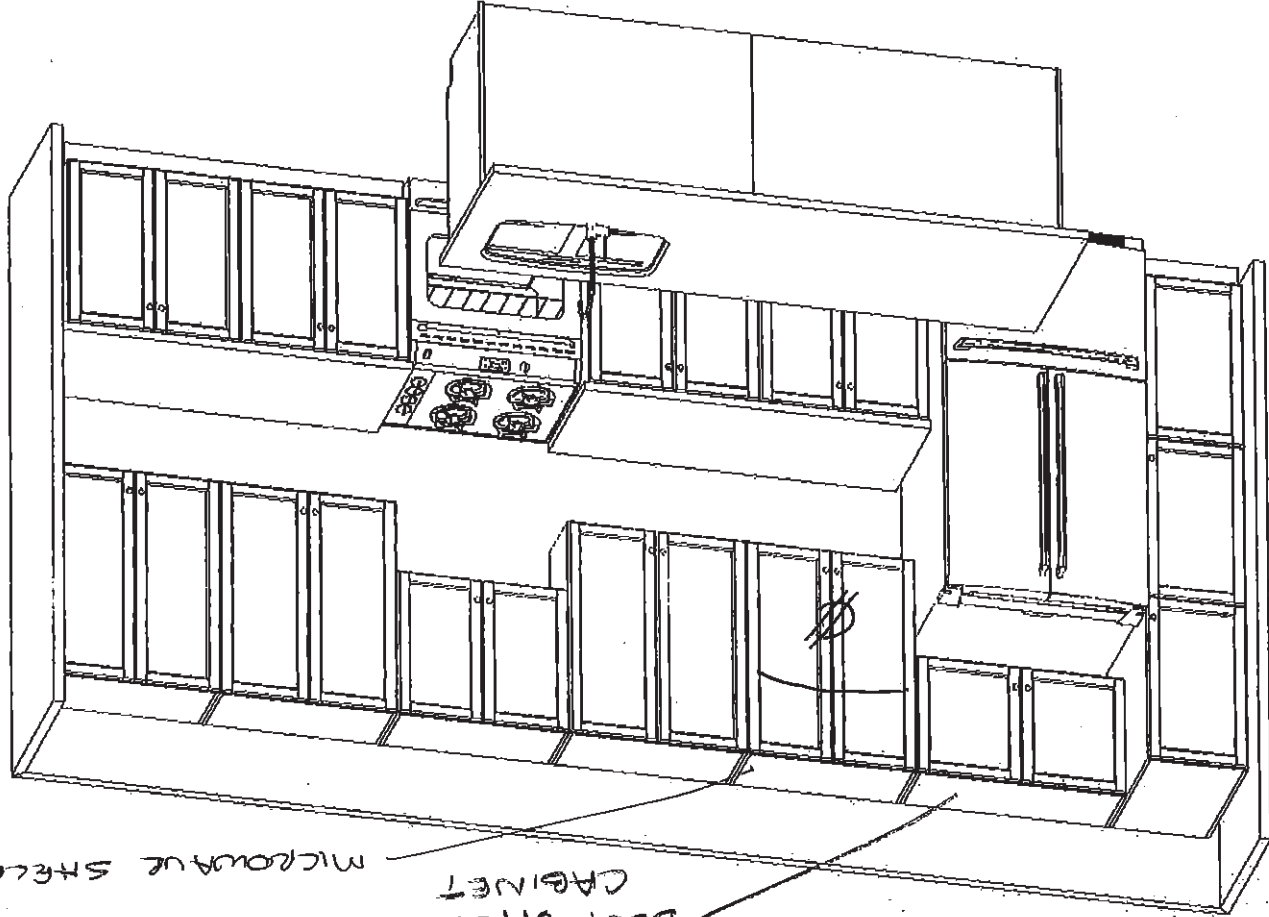
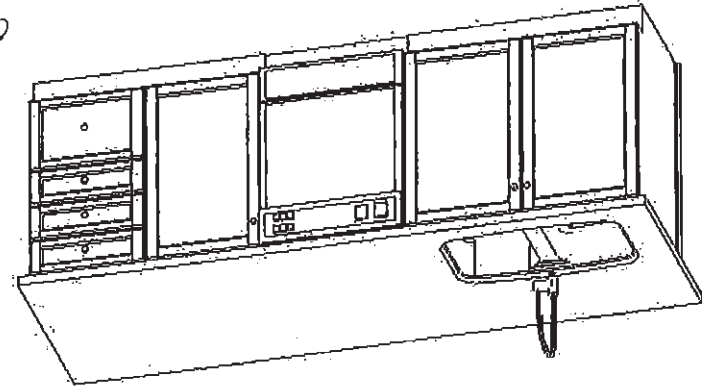
- Top Drawer Construction (in lieu of Standard bank of drawers)
- Tandem Box Soft Close Drawers
- Blumotion Soft Close Hinges for Doors
- Crown Moulding
- Deep Fridge Upper w/ Deep Panel
- Tall upper Cabinets

THIS DRAWING IS FOR DESIGN PURPOSES ONLY. IT IS NOT AN EXACT REPRESENTATION.

Soft close

Sketch #12

SHK



DEEP UPPER CABINET
 MICROWAVE SHELF & RUG

6/28/2021

CU UPCOUNTRY
LOT 3-5
20-2257 ELEV A
THE CALVERTON

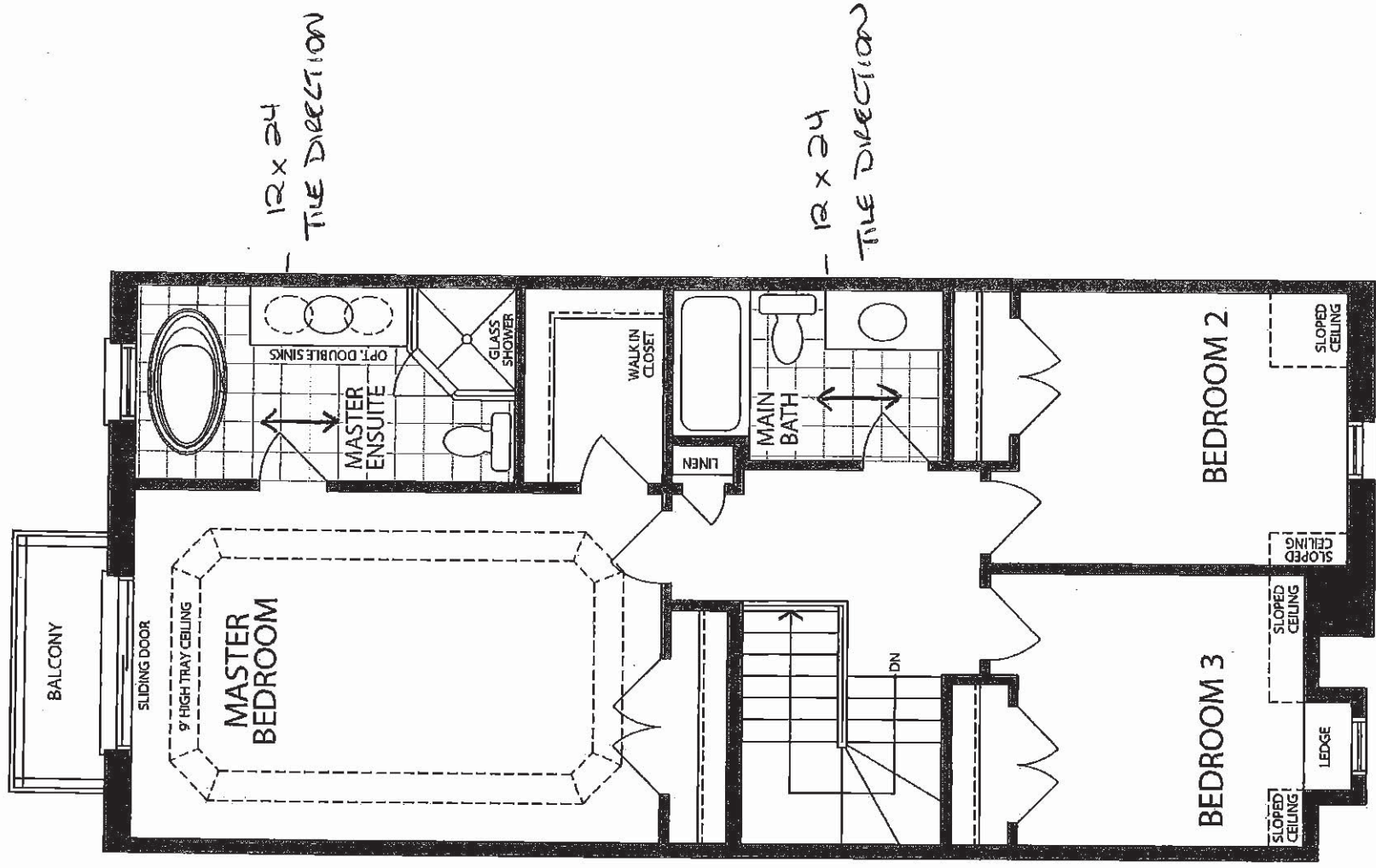
20-2257 ELEV. A

25 of 47

The Calverton

ELEVATION A:
2,212 SQ FT

Sketch # 13



UPPER LEVEL
ELEVATION A

CU UPCOUNTRY

LOT 3-5

20-2257 ELEV A

THE CALVERTON

HEATHWOOD HOME
COUNTRY LANE, WHITE

MODEL: 20-2257 (200)

F R E N D I
KITCHENS L I M I T E D
1350 SHOWTON DRIVE, MISSISSAUGA, ON L4W



STANDARD CONTRACT INCLUDES:

Standard Vanity & Laundry Scope

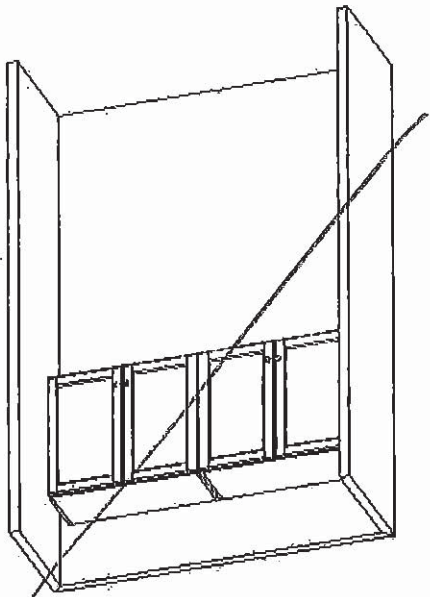
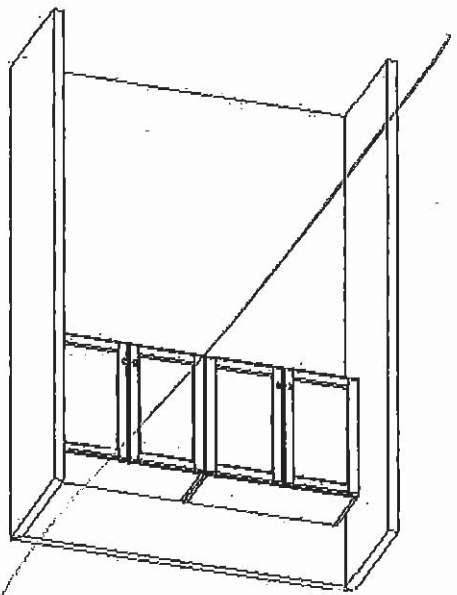
- Powder by others, pedestal
- All vanities include laminate top
- Std. Blum Hinges - **not soft close**
- Std. Tandem Box Drawers - **Soft**
- Master Ens: (x1) Top drawer
- Mains: Full height doors (top drawers added if Masters can't accommodate)
- Optional laundry base & wall cabinets

Sketch # 14

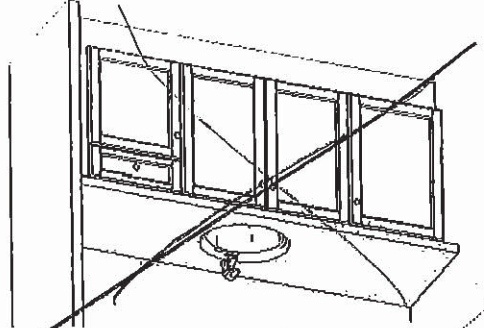
26 of 47

THIS DRAWING IS FOR DESIGN PURPOSES ONLY.
IT IS NOT AN EXACT REPRESENTATION.

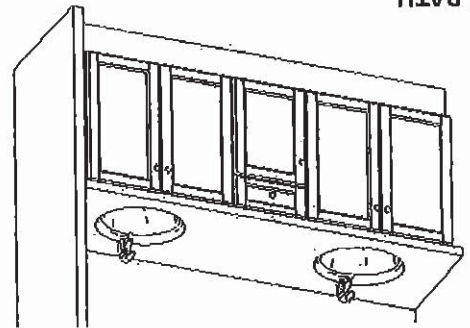
SHK



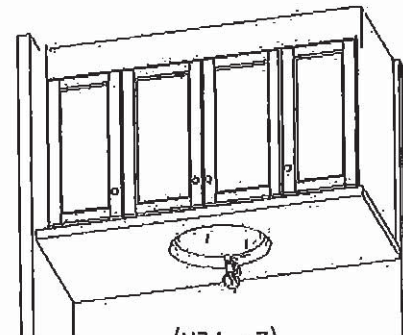
OPT. LAUNDRY UPPERS
(MAIN FLR)



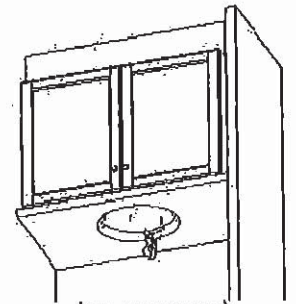
MASTER ENSUITE
(2ND FLR)



OPT. DOUBLE SINK



MAIN BATH
(2ND FLR)

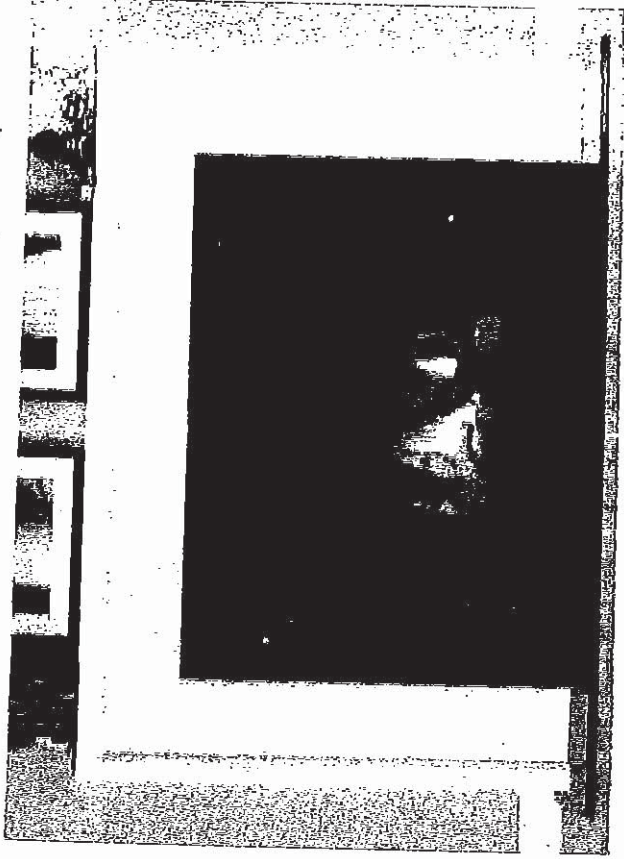


POWDER
(LOWER FLR)

6/28/2021

CU UPCOUNTRY
LOT 3-5
20-2257 ELEV A
THE CALVERTON

27 of 47



CABINET

NEAS NF17 Mantel

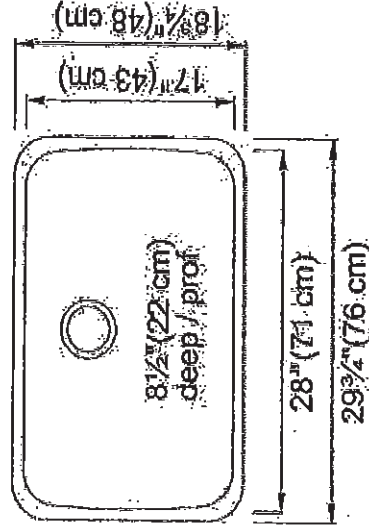
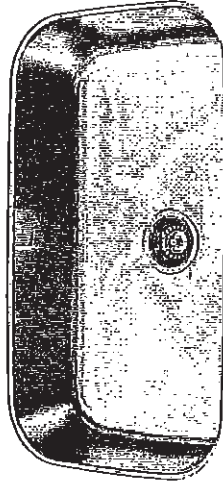
stkl

CU UPCOUNTRY
LOT 3-5
20-2257 ELEV A
THE CALVERTON

28 of 47

Stainless Steel | 122.0264.716

FAMILY : Sinks | SERIES : Reginox | MODEL : NS1930UJ9 | FINISH : Stainless Steel | INSTALLATION TYPE : Undermount



TECHNICAL DATA	
Width overall	18 3/4"
Length overall	29 3/4"
Width of large bowl	17"
Length of large bowl	28"
Depth of large bowl	8 1/2"
Cabinet Size	36"
Number of Bowls	1
Waste Outlet Diameter	3 1/2"
Cut-Out Template	Yes
Faucet Hole	None
Type of Material	18 Gauge Stainless Steel
Surface Finish	SILK
Special feature	Rear Origin Waste Hole Location
Waste Kit Included	YES

SHU

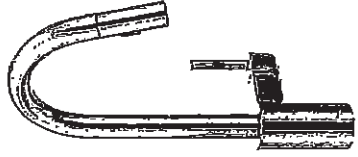
CU UPCOUNTRY
LOT 3-5
20-2257 ELEV A
THE CALVERTON

29 of 47

STANDARD KITCHEN FAUCET

Align

Modern



Single Handle Pull-Down Kitchen
Faucet*

Model 7565†

SHK

CU UPCOUNTRY
LOT 3-5
20-2257 ELEV A
THE CALVERTON

30 of 47

*American
Standard*

**BOULEVARD®
PEDESTAL SINK**
VITREOUS CHINA

BOULEVARD® PEDESTAL SINK

- 0641.800 Faucet holes on 8" (203mm) centers (illustrated)
- 0641.400 Faucet holes on 4" (102mm) centers
- 0641.100 Center hole only
 - Classic styled rectangular pedestal lavatory
 - Vitreous china
 - Rear overflow
 - Supplied with mounting kit
 - Right Height® for greater comfort during use
 - Faucet ledge with large deck area (faucet not included)
 - Design coordinates with Boulevard® Toilet
 - Basin has flat bottom to also allow use as an above counter sink or a drop-in sink (with u-shaped cut out)

Nominal Dimensions:

24" x 19" x 35-1/2"
(610 x 483 x 902mm)

- 0641.008 Pedestal top-8" (203mm) centers
- 0641.004 Pedestal top-4" (102mm) centers
- 0641.001 Pedestal top-center hole only
- 0010.000 Pedestal only

Bowl sizes:

17" (432mm) wide,
12-1/2" (318mm) front to back,
5" (127mm) deep

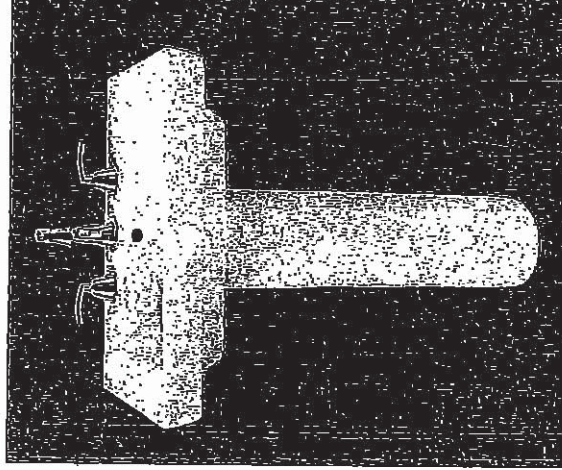
Compliance Certifications -

Meets or Exceeds the Following Specifications:

- ASME A112.19.2 - 2008/CSA B45.1-08

<p>To Be Specified:</p> <p><input type="checkbox"/> Color: <input type="checkbox"/> White <input type="checkbox"/> Linen</p> <p><input type="checkbox"/> Faucet Finish:</p> <p><input type="checkbox"/> Supplies:</p> <p><input type="checkbox"/> 1-1/4" Trap:</p> <p><input type="checkbox"/> Nipple:</p>

* See faucet section for additional models available



SEE REVERSE FOR ROUGHING-IN DIMENSIONS

SHH

CU UPCOUNTRY

LOT 3-5

20-2257 ELEV A

THE CALVERTON

COLONY COUNTERTOP SINK

- Vitreous china
- Self-rimming
- Front overflow
- Supplied with template
- Faucet deck

(Faucet shown not included)

0346 803

Faucet holes on 203mm (8") centres

0346 403 (Illustrated)

Faucet holes on 102mm (4") centres

0346 001

Centre hole only

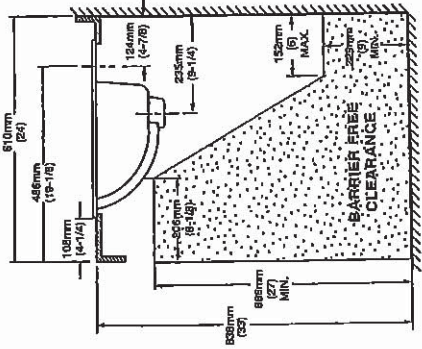
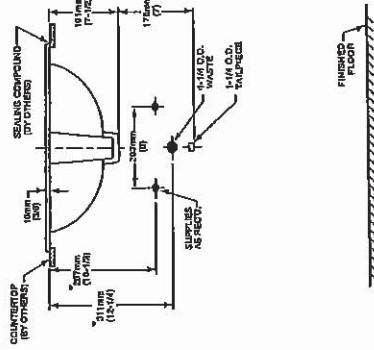
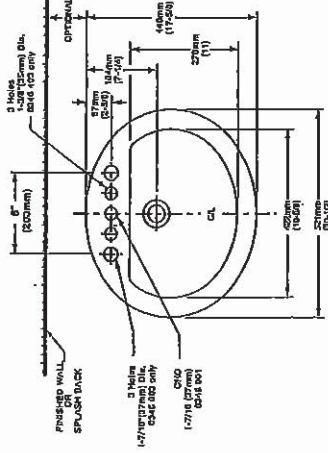
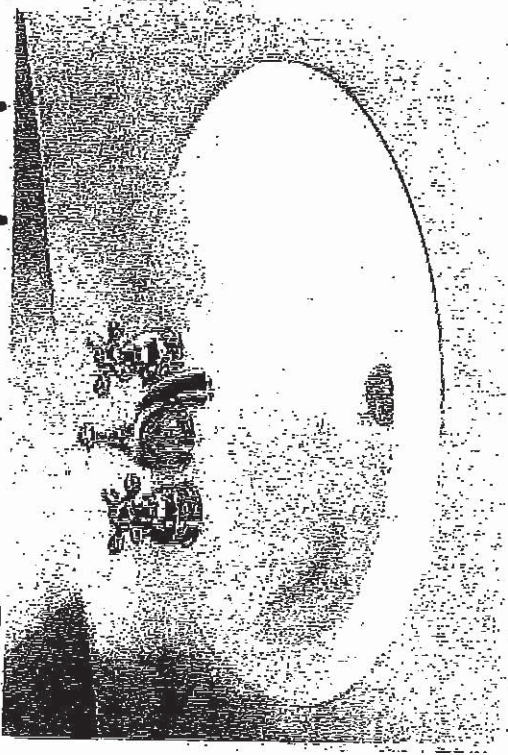
Nominal Dimensions:

521 x 448mm (20-1/2" x 17-5/8")

Bowl sizes:

422mm (16-5/8") wide, 279mm (11") front to back, 143mm (5-5/8") deep

3 | COLONY™
 COUNTERTOP SINK
 VITREOUS CHINA



COMPLIANCE CERTIFICATIONS -

- Meets or exceeds the following Specifications:
- ASME A112.19.2M for Vitreous China Fixtures.
- CAN/CSA B45 Series.

To Be Specified

Colour: White Bone Silver Gray

Linen

Faucet*:

Faucet Finish:

Supplies & Stops:

Trap 1-1/4" (32 mm):

NOTES:

* DIMENSIONS SHOWN FOR LOCATION OF SUPPLIES AND "P" TRAP ARE SUGGESTED. FOR COUNTERTOP CUTOUT AND INSTALLATION INSTRUCTIONS USE TEMPLATE SUPPLIED WITH SINK.

FAUCETS NOT INCLUDED AND MUST BE ORDERED SEPARATELY.

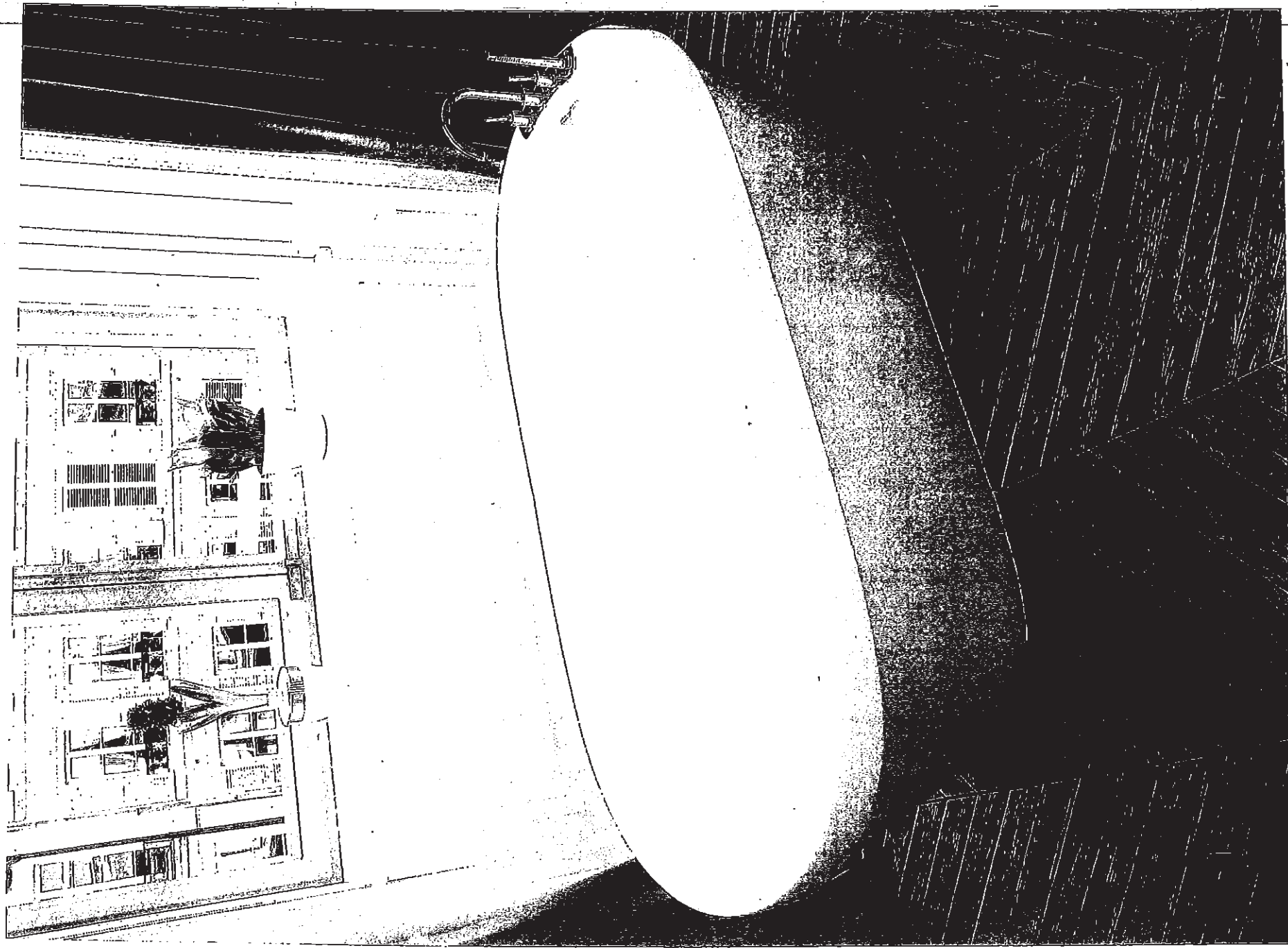
IMPORTANT: Dimensions of fixtures are nominal and may vary within the range of tolerances established by ANSI Standard A112.19.2. These measurements are subject to change or cancellation. No responsibility is assumed for use of superseded or voided pages.

* See faucet section for additional models available

SHIC

CU UPCOUNTRY
LOT 3-5
20-2257 ELEV A
THE CALVERTON

32 of 47



Demi CP2007

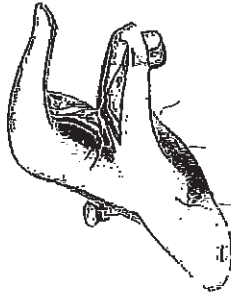
SHS

CU UPCOUNTRY
LOT 3-5
20-2257 ELEV A
THE CALVERTON

33 of 47

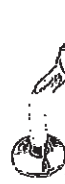
Chateau

Transitional



Lavatory Faucet with Pop-Up Drain
Model L4621†

VANITY SINKS AND PEDESTAL



Posi-Temp® Pressure Balancing Tub/Shower
Model 62320 / TL183†

OR

Posi-Temp Valve and Tub/Shower Trim
with Eco-Performance Easy Clean® XL

Model 62320 / TL183EP†

(TL183EP not available in BC)



2 Handle Roman Tub with 9" Spout
Model 4796 / T990†

FREESTANDING TUB FAUCETS

SHOWER AND 5" TUB FAUCETS

SHL

CU UPCOUNTRY
 LOT 3-5
 20-2257 ELEV A
 THE CALVERTON

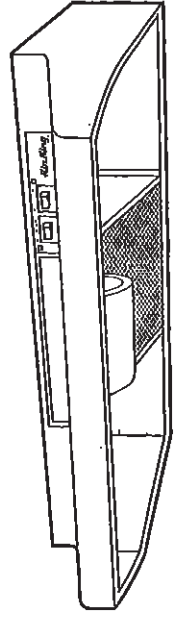
34 of 47



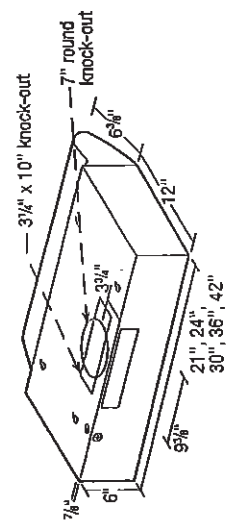
SPECIFICATIONS
AV SERIES
 RANGE HOODS

2100 HVI CERTIFIED
 180 CFM/7.0 Sones @ 0.10" SP. Horizontal
 180 CFM/7.5 Sones @ 0.10" SP. Vertical

- Dimensions**
 Overall bottom projection - 18 3/8"
 Overall top projection - 12"
 Height - 6"
 Available widths: 21", 24", 30", 36" & 42"
- Hood Body**
 Stainless Steel: 24 gauge, grade 430 stainless steel.
 Painted: 23 gauge cold rolled commercial grade (CRCQ) steel, auto welded, coated with a baked enamel finish.
- Motor**
 2 speed, single coil, thermally protected, permanently lubricated.
 Rated 120 volts, 60 Hz. Complete with 200°C lead wires.
- Lighting**
 Single 60 watt cook light capacity (bulb not included).
- Ducting Options**
 Horizontal ducting: 3 1/4" x 10" (duct adapter and damper included).
 Vertical ducting: 3 1/4" x 10" (duct adapter and damper included).
 Vertical ducting: 7" round (duct adapter and damper not included).
 Ductless: removable front vent (charcoal filter not included).
- Fan Blade**
 One piece polymeric, electronically balanced blade. 65/8" diameter with 5 paddles.
- Electrical connection**
 Hood top - 7/8" knockout hole for use with 1/2" cable clamp
 Hood back - 7/8" knockout hole for use with 1/2" cable clamp



AV SERIES



- Filters**
 UL rated, class 2 filter.
 Grease Filter: RF35 - 8 7/8" x 10 3/8" (included).
 Charcoal Filter: RF34 (not included).
 Combo Grease/Charcoal: RF55 (not included).
- Available Finishes**
 White, Biscuit, Almond, Black & Stainless Steel.

EXPANDED PERFORMANCE						
Air Flow - CFM	Static Pressure (inches of w.g.)			Sones @ .1 SP	Fan Speed RPM	Power Watts
	0	0.05	0.1			
Vertical Ducting High	246	232	218	203	181	147
Horizontal Ducting High	225	210	180	175	155	120
				120	7.0	3024
						87.0
						87.0

PROJECT	ARCHITECT							
LOCATION	ENGINEER							
CONTRACTOR	SUBMITTED BY							
	DATE							
FAN MODEL NUMBER	CFM	IN W.C.	RPM	WATTS	AMPS	SONES	QTY	OPTIONAL EQUIPMENT & REMARKS



Air King: 820 Lincoln Avenue
 West Chester, Pennsylvania 19380-4466
 Tel: (610) 692-7400 • 877-304-3785
 Fax: (610) 696-8048

Canada:
 Brampton, Ontario
 Tel: 905-456-2033
 Fax: (905) 456-1015

Specifications subject to change without notice.

Updated 2-18

SHU

CU UPCOUNTRY
 LOT 3-5
 20-2257 ELEV A
 THE CALVERTON

35 of 47



Bottom Mount Refrigerator

PRODUCT MODEL NUMBERS

WRF532SMB
 WRF535SMB

WRFE35SMB
 WRF540CWB

Electrical: A 115-volt, 60-Hz, AC-only, 15- or 20-amp fused, grounded electrical supply is required. It is recommended that a separate circuit serving only your refrigerator be provided. Use an outlet that cannot be turned off by a switch. Do not use an extension cord.

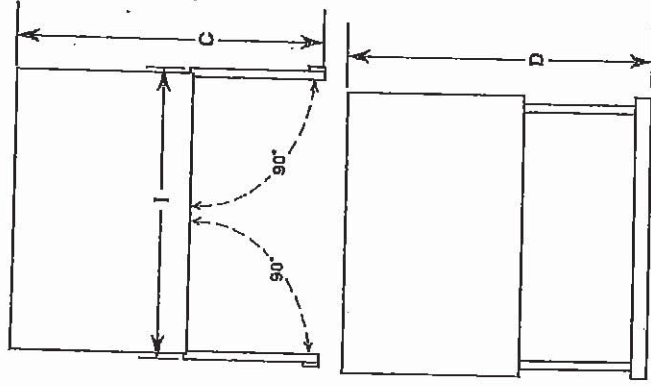
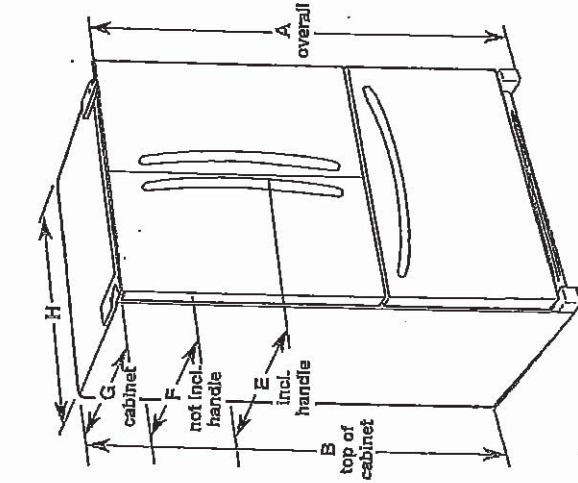
NOTE: Before performing any type of installation, cleaning, or removing a light bulb, turn the control (Thermostat, Refrigerator or Freezer Control depending on the model) to OFF and then disconnect the refrigerator from the electrical source. When you are finished, reconnect the refrigerator to the electrical source and reset the control (Thermostat, Refrigerator or Freezer Control depending on the model) to the desired setting. See "Using the Controls."

Water: A cold water supply with water pressure between 30 and 120 psi (207 and 827 kPa) is required to operate the ice maker and water dispenser. If you have questions about your water pressure, call a licensed, qualified plumber.

IMPORTANT: The pressure of the water coming out of a reverse osmosis system going to the water inlet valve of the refrigerator needs to be between 35 and 120 psi (241 and 827 kPa).

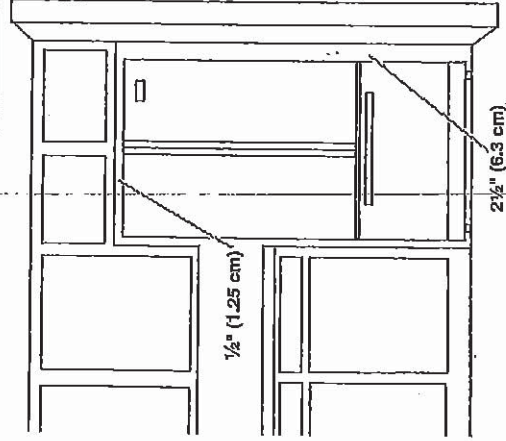
Reverse Osmosis Water Supply: If a reverse osmosis water filtration system is connected to your cold water supply, the water pressure to the reverse osmosis system needs to be a minimum of 40 to 60 psi (276 to 414 kPa).

PRODUCT DIMENSIONS



Model Number/Size	Height - Overall "A"	Height - Top of Cabinet "B"	Depth - Doors Open 90° "C"	Depth - Drawer Open "D"	Depth - With Handles "E"	Depth - Without Handles "F"	Depth - Cabinet Only "G"	Width - Cabinet "H"	Width - Door Open 90° "I"
WRF535SMB 25.2 cu. ft.	70 1/2" (178.1 cm)	69 3/4" (174.8 cm)	48 1/4" (122.1 cm)	53 1/2" (135 cm)	35 1/2" (90 cm)	32 1/4" (83.7 cm)	29 1/2" (74 cm)	35 1/2" (90.5 cm)	49 1/2" (110.2 cm)
WRF535SMB 25.2 cu. ft.	70 1/2" (178.1 cm)	69 3/4" (174.8 cm)	48 1/4" (122.1 cm)	53 1/2" (135 cm)	35 1/2" (90 cm)	32 1/4" (83.7 cm)	29 1/2" (74 cm)	35 1/2" (90.5 cm)	49 1/2" (110.2 cm)
WRFE32SMB 22.1 cu. ft.	70 1/2" (178.1 cm)	68 9/16" (174.8 cm)	47 1/4" (119.5 cm)	52 1/2" (132.4 cm)	34 1/4" (87.5 cm)	31 1/4" (79.1 cm)	28 1/2" (71.4 cm)	32 1/2" (82.9 cm)	42 1/2" (107.6 cm)
WRF540CWB 20 cu. ft.	70 1/2" (178.1 cm)	68 9/16" (174.8 cm)	48" (121.9 cm)	44 1/2" (113.0 cm)	29 1/2" (74.6 cm)	28" (71.1 cm)	24 1/2" (61.3 cm)	35 1/2" (90.5 cm)	39 1/2" (100.0 cm)

LOCATION REQUIREMENTS



To ensure proper ventilation for your refrigerator, allow for a 1/2" (1.25 cm) space on each side and at the top. Allow for 1" (2.54 cm) of space behind the refrigerator. If your refrigerator has an ice maker, make sure you leave some extra space at the back for the water line connections.

If you are installing your refrigerator next to a fixed wall, leave 2 1/2" (6.3 cm) minimum on the hinge side (some models require more) to allow for the door to swing open.

NOTE: This refrigerator is intended for use in a location where the temperature ranges from a minimum of 55°F (13°C) to a maximum of 110°F (43°C). The preferred room temperature range for optimum performance, which reduces electricity usage and provides superior cooling, is between 60°F (15°C) and 90°F (32°C). It is recommended that you do not install the refrigerator near a heat source, such as an oven or radiator.

Because Whirlpool Corporation policy includes a continuous commitment to improve our products, we reserve the right to change materials and specifications without notice.

Dimensions are for planning purposes only. For complete details, see installation instructions packed with product. Specifications subject to change without notice.

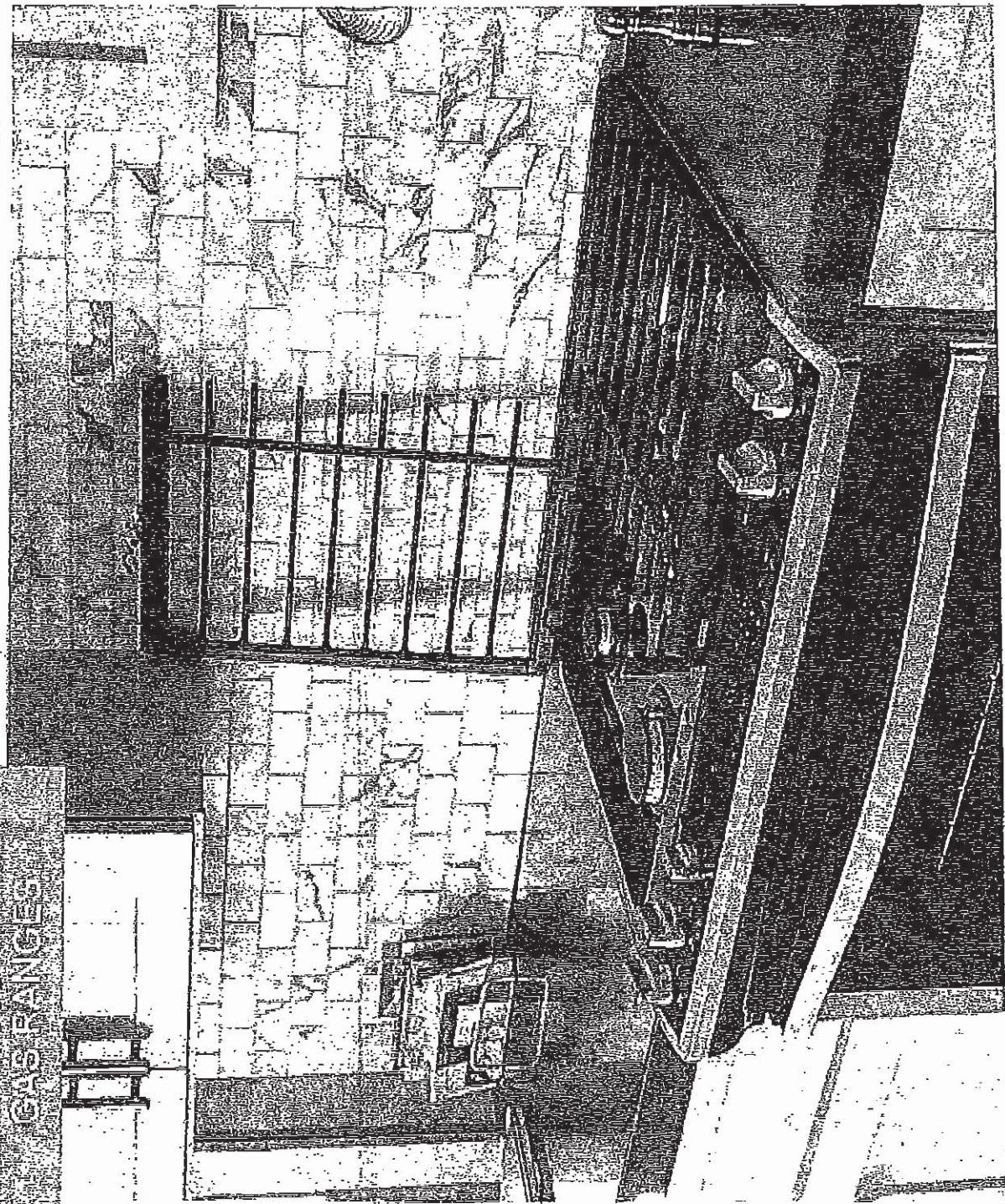
Ref. W10597594B
 10/1/14

SAL

CU UPCOUNTRY
LOT 3-5
20-2257 ELEV A
THE CALVERTON

36 of 47

FRONT CONTROL
GAS RANGES



FEATURING



TimeSavor™ system

The TimeSavor™ system's Frozen Bake Technology allows you to skip preheating for favorites like pizza, lasagna, chicken nuggets, fries or pies so you can cook frozen foods faster.



HeatRight™ system

The HeatRight™ system's True convection helps you to cook food faster* with a rear fan and third heating element to circulate hot air over, under, and around food.



CompleteClean™ system

The CompleteClean™ system's EZ-2-Lift™ hinged grates give you quick access to spills on the cooktop. The industry first hinged design allows you to wipe up under them without removing them entirely. For a more thorough clean, the grates are also dishwasher-safe.

Every day, care™

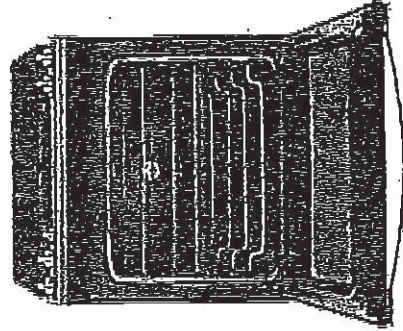
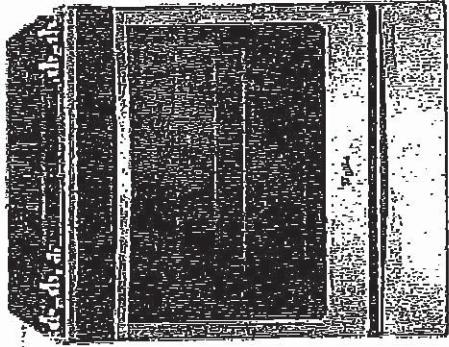
From the #1 Selling Appliance brand in the USA*

SHL

CU UPCOUNTRY
 LOT 3-5
 20-2257 ELEV A
 THE CALVERTON

37 of 47

Front Control Gas Ranges



Available colors



S
Stainless Steel



H
White



E
Black

WEG745HOF

30" Freestanding Range - 5.8 cu. ft.



TimeSaver™ system

- Frozen Bake™ Technology



HeatRight™ system

- True Convection
- Convection Convertion
- AccuSimmer™ Burner
- Center Oval burner
- Temperature Sensor



CompleteClean System

- EZ-2-Lit™ Hinged Grates
- AquadLite™ Self-cleaning Technology
- Dishwasher-safe knobs

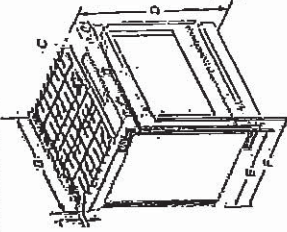


ReadySet™ system

- (2) Speed-Heat™ burners
- Rapid Preheat
- Keep Warm
- Delay Cook

PRODUCT DIMENSIONS

Use product dimensions for installation. For additional information, refer to the installation manual. Dimensions given are for front panel height and width.



1. 34" (867 mm) height from floor to top of broiler pan
2. 24" (610 mm) height from floor to top of oven door
3. 24" (610 mm) height from floor to top of oven door
4. 24" (610 mm) height from floor to top of oven door
5. 24" (610 mm) height from floor to top of oven door
6. 24" (610 mm) height from floor to top of oven door
7. 24" (610 mm) height from floor to top of oven door

NOTE: All dimensions are given in inches and millimeters. For the broiler pan height, the oven door is closed and the broiler pan is raised to its maximum height.

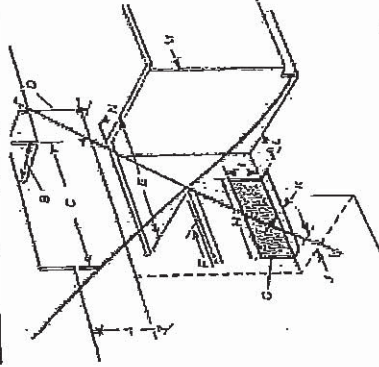
Type of Gas

• This range is designed for use with natural gas or LP gas. Conversion kits are available for use with other types of gas. For information on conversion kits, refer to the installation manual. The range is not designed for use with propane gas.

LP Gas Installation

Conversion kits are available for use with LP gas. For information on conversion kits, refer to the installation manual. The range is not designed for use with propane gas.

CABINET OPENING DIMENSIONS



NOTE: All dimensions are given in inches and millimeters. For the broiler pan height, the oven door is closed and the broiler pan is raised to its maximum height.

NOTE: All dimensions are given in inches and millimeters. For the broiler pan height, the oven door is closed and the broiler pan is raised to its maximum height.

NOTE: All dimensions are given in inches and millimeters. For the broiler pan height, the oven door is closed and the broiler pan is raised to its maximum height.

NOTE: All dimensions are given in inches and millimeters. For the broiler pan height, the oven door is closed and the broiler pan is raised to its maximum height.

NOTE: All dimensions are given in inches and millimeters. For the broiler pan height, the oven door is closed and the broiler pan is raised to its maximum height.

NOTE: All dimensions are given in inches and millimeters. For the broiler pan height, the oven door is closed and the broiler pan is raised to its maximum height.

NOTE: All dimensions are given in inches and millimeters. For the broiler pan height, the oven door is closed and the broiler pan is raised to its maximum height.

NOTE: All dimensions are given in inches and millimeters. For the broiler pan height, the oven door is closed and the broiler pan is raised to its maximum height.

NOTE: All dimensions are given in inches and millimeters. For the broiler pan height, the oven door is closed and the broiler pan is raised to its maximum height.

NOTE: All dimensions are given in inches and millimeters. For the broiler pan height, the oven door is closed and the broiler pan is raised to its maximum height.

NOTE: All dimensions are given in inches and millimeters. For the broiler pan height, the oven door is closed and the broiler pan is raised to its maximum height.

NOTE: All dimensions are given in inches and millimeters. For the broiler pan height, the oven door is closed and the broiler pan is raised to its maximum height.

NOTE: All dimensions are given in inches and millimeters. For the broiler pan height, the oven door is closed and the broiler pan is raised to its maximum height.

NOTE: All dimensions are given in inches and millimeters. For the broiler pan height, the oven door is closed and the broiler pan is raised to its maximum height.

NOTE: All dimensions are given in inches and millimeters. For the broiler pan height, the oven door is closed and the broiler pan is raised to its maximum height.

NOTE: All dimensions are given in inches and millimeters. For the broiler pan height, the oven door is closed and the broiler pan is raised to its maximum height.

NOTE: All dimensions are given in inches and millimeters. For the broiler pan height, the oven door is closed and the broiler pan is raised to its maximum height.

NOTE: All dimensions are given in inches and millimeters. For the broiler pan height, the oven door is closed and the broiler pan is raised to its maximum height.

NOTE: All dimensions are given in inches and millimeters. For the broiler pan height, the oven door is closed and the broiler pan is raised to its maximum height.

NOTE: All dimensions are given in inches and millimeters. For the broiler pan height, the oven door is closed and the broiler pan is raised to its maximum height.

SHK

CU UPCOUNTRY
 LOT 3-5
 20-2257 ELEV A
 THE CALVERTON

38 of 47



Whirlpool® 30" (76.2 cm) Slide-in Gas Range

C

PRODUCT MODEL NUMBERS

WEG74RHOD WEG76RHOD WEG745HOF

GAS SUPPLY REQUIREMENTS

Gas supply line:

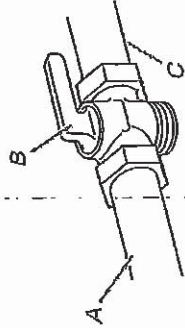
- Provide a gas supply line of 3/4" (1.9 cm) rigid pipe to the range location. A smaller size pipe on longer runs may result in insufficient gas supply. With L.P. gas, piping or tubing size can be 1/2" (1.3 cm) minimum. Usually, L.P. gas suppliers determine the size and materials used in the system.
- NOTE: Pipe-joint compounds that resist the action of L.P. gas must be used. Do not use TEFLO[®] tape.

Flexible metal appliance connector:

- If local codes permit, a new CSA design-certified, 4 to 5 ft (122 to 152.4 cm) long, 1/2" (1.3 cm) or 3/4" (1.9 cm) I.D., flexible metal appliance connector may be used for connecting range to the gas supply line.



- A 1/4" (1.3 cm) male pipe thread is needed for connection to the female pipe threads of the inlet to the appliance pressure regulator.
- Do not kink or damage the flexible metal tubing when moving the range.
- Must include a shutoff valve:
 The supply line must be equipped with a manual shutoff valve. This valve should be located in the same room but external to the range opening, such as an adjacent cabinet. It should be in a location that allows ease of opening and closing. Do not block access to shutoff valve. The valve is for turning on or shutting off gas to the range.



A. Gas supply line
 B. Shutoff valve "open" position
 C. To range

Gas Pressure Regulator

The gas pressure regulator supplied with this range must be used. The inlet pressure to the regulator should be as follows for proper operation:

Natural gas:

Minimum pressure: 5" WCP
 Maximum pressure: 14" WCP

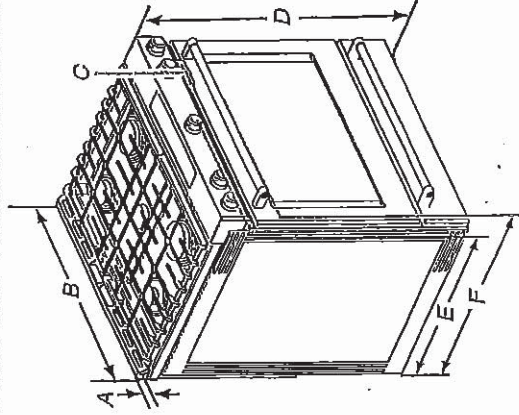
L.P. gas:

Minimum pressure: 11" WCP
 Maximum pressure: 14" WCP

Contact local gas supplier if you are not sure about the inlet pressure.

PRODUCT DIMENSIONS

This manual covers several models. Your model may appear different from the models depicted. Dimensions given are maximum dimensions across all models.



- A. 13 1/4" (34.0 cm) height from cooktop to top of vent
- B. 29 7/8" (75.9 cm)
- C. Model/serial number plate (located behind the oven door on the top right-hand side of the oven frame)
- D. 36" (91.4 cm) height to top of cooktop edge with leveling legs screwed all the way in*
- E. 28 5/8" (71.9 cm) max. depth from front of console to back of range.
- F. 28 3/8" (73.3 cm) max. depth from handle to back of range.

IMPORTANT: Range must be level after installation. Follow the instructions in the "Level Range" section. Using the cooktop as a reference for leveling the range is not recommended.

* Range can be raised approximately 1" (2.5 cm) by adjusting the leveling legs.

Type of Gas

Natural gas:

- This range is factory set for use with Natural gas. See "Gas Conversions" section. The model/serial rating plate located behind the control panel has information on the types of gas that can be used. If the types of gas listed do not include the type of gas available, check with the local gas supplier.

LP gas conversion:

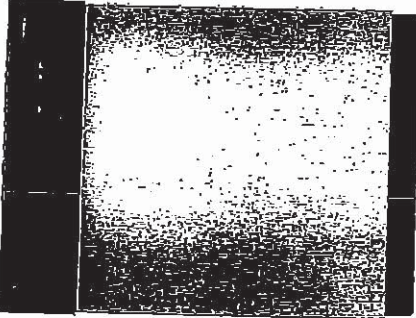
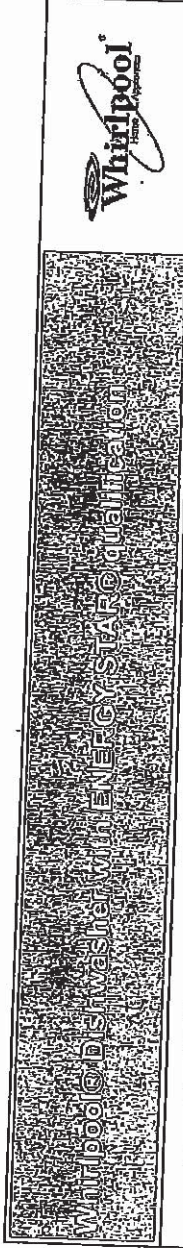
Conversion must be done by a qualified service technician. No attempt shall be made to convert the appliance from the gas specified on the model/serial rating plate for use with a different gas without consulting the serving gas supplier. See "Gas Conversions" section.

TEFLO[®] is a registered trademark of Chemours.

SHK

39 of 47

CU UPCOUNTRY
 LOT 3-5
 20-2257 ELEV A
 THE CALVERTON



WDF310PAAS
Black-on-Stainless

OTHER AVAILABLE COLORS



Black
 Model: WDF310PAAB



Biscuit-on-Biscuit
 Model: WDF310PAAT



White
 Model: WDF310PAAW



Universal Silver
 Model: WDF310PAAD



DIMENSIONS		KEY FEATURES:
Maximum Height	34 1/2 Inches	
Minimum Height	33 1/2 Inches	ENERGY STAR® Qualified No One Has Fewer Repairs 17 Years In A Row Resource - Efficient Wash System CEE Tier 1 qualified Tall Tub Design White Plastic Interior Quiet Partner(TM) Sound Package Auto Soil Sensor Electronic Controls 3 Automatic Cycles 1-Hour Wash Cycle Heavy Wash Cycle Normal Cycle 4 Options High Temperature Wash System Heated Dry Option 4 Hour Delay Wash Option 4-Tier SheerClean Direct Feed Wash System Control Lock Vinyl Racks In-Rack Silverware Basket
Height	34 1/2 Inches	
Depth	24 1/2 Inches	
Width	23 7/8 Inches	
Dimensions shown are for planning purposes only. For complete information, see installation instructions packaged with product.		
ELECTRICAL		
15 Amps Amps. 60 Hz. 120 V. 15.		
Before purchasing this appliance, read the literature that is included with the estimated annual energy consumption and energy efficiency rating that is available from your dealer.		

SHK

CU UPCOUNTRY
 LOT 3-5
 20-2257 ELEV A
 THE CALVERTON

40 of 47



Whirlpool® Undercounter Dishwasher

PRODUCT MODEL NUMBERS

- | | | |
|------------|------------|------------|
| WDFE110PAB | WDFE310ELA | WDFE30PSY |
| WDFE111PAB | WDFE320PAD | WDFE40PAD |
| WDFE120PAF | WDFE110PAY | WDFE30PAY |
| WDFE121PAF | WDFE20PAD | WDT1710PAY |
| WDFE310PAA | WDFE30PAY | WDT1720PAD |
| WDFE310PCA | WDFE30PLY | WDT1770PAY |

Electrical Requirements: 120-volt, 60-Hz, AC only, 15- or 20-amp, fused electrical supply. Copper wire only. A time delay fuse or circuit breaker and separate circuit is recommended.

If direct wiring dishwasher: Use flexible, armored, or nonmetallic, sheathed copper wire with grounding wire that meets the wiring requirements for your home and local codes and ordinances.

Use a UL listed or CSA approved conduit connector.

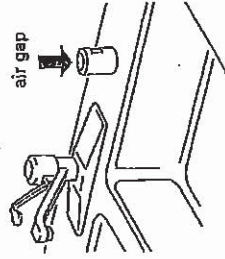
If connecting dishwasher with a power supply cord: Use Power Supply Cord Kit (Part No. 4317824) marked for use with dishwashers. Follow the kit instructions for installing the power supply cord.

Power supply cord must plug into a grounded 3 prong, outlet, located in the cabinet next to the dishwasher opening. Outlet must meet all local codes and ordinances.

Water Supply Requirements: A hot water line with 20 to 120 psi (138 to 862 kPa) water pressure. Water temperature must be 120°F (49°C) water at dishwasher. Use 3/8" O.D. copper tubing with compression fitting or flexible braided water supply line (1/2" minimum plastic tubing is not recommended). Use a 90° elbow with 3/4"N.P.T. external pipe threads on one end. Do not solder within 6" (15.2 cm) from water inlet valve.

Drain Requirements: A new drain hose is supplied with your dishwasher. If this is not long enough, use a new drain hose with a maximum length of 12' (3.7 m) (Part No. 3885566) that meets all current AHAM/JAPMO test standards, is resistant to heat and detergent, and fits the 1" (2.5 cm) drain connector of the dishwasher.

Make sure to connect the drain hose to waste tee or disposer inlet above drain trap in house plumbing and 20" (50.8 cm) minimum above the floor. It is recommended

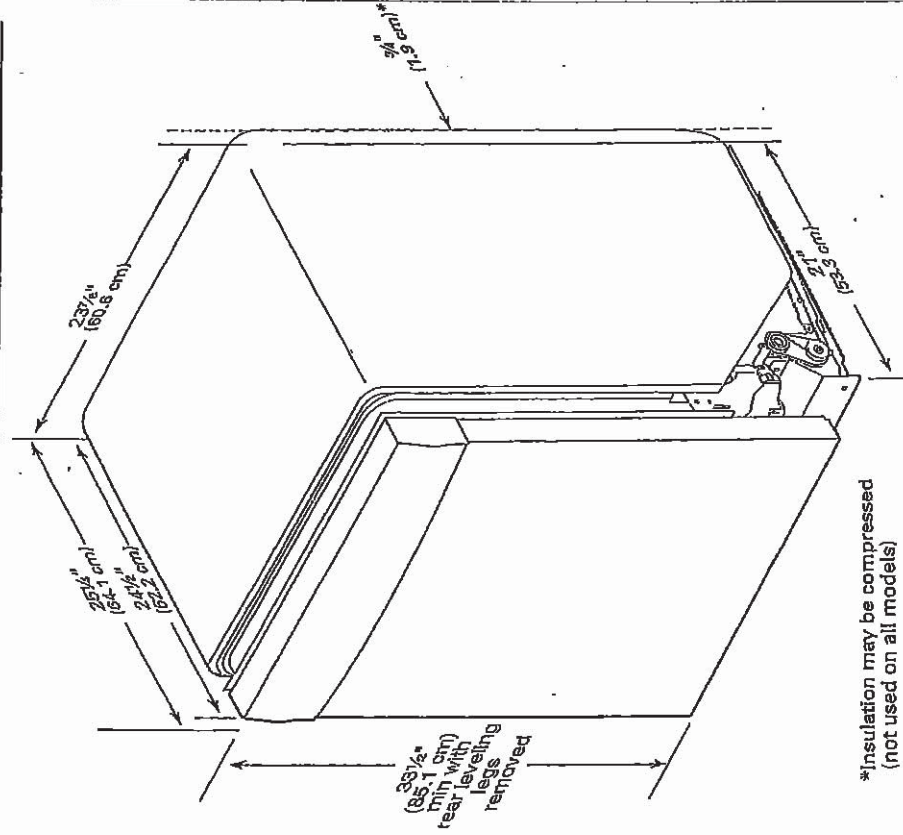


that the drain hose either be looped up and securely fastened to the underside of the counter or be connected to an air gap.

Make sure to use an air gap if the drain hose is connected to house plumbing lower than 20" (50.8 cm) above subfloor or floor.

Use 1/2" (1.3 cm) minimum I.D. drain line fittings. If required, the air gap should be installed in accordance with the air gap installation instructions. When connecting the air gap, a rubber hose (not provided) will be needed to connect to the waste tee or disposer inlet.

PRODUCT DIMENSIONS



*Insulation may be compressed (not used on all models)

Because Whirlpool Corporation policy includes a continuous commitment to improve our products, we reserve the right to change materials and specifications without notice.

Dimensions are for planning purposes only. For complete details, see installation instructions packed with product. Specifications subject to change without notice.

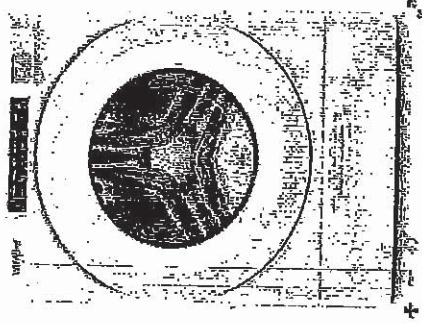
SHIL

CU UPCOUNTRY
LOT 3-5
20-2257 ELEV A
THE CALVERTON

42 of 47

WHIRLPOOL WASHER Model #: WFW5620HW

Whirlpool Brand Canada English | Washer and Dryer | Washers | Front Load Washers | WFW5620HW



5.2 cu. ft. I.E.C. Closer-Depth
Front Load Washer with
Load & Go™ Dispenser



Whirlpool 5.2 cu. ft. I.E.C. Closer-Depth Front Load Washer with Load & Go™
Dispenser

Model #: WFW5620HW

Dimensions

Depth 80.17 cm, 31-9/16 in

Depth With Door Open 90 Degree 143.51 cm, 56-1/2 in

Minimum Height 98.11 cm, 38-5/8 in

Width 68.58 cm, 27.0 in

Appearance

LCD Touch Screen No

Window Yes

Details

Drum Material Stainless Steel

Cycles and Options

Number of Wash Cycles 37

Electrical

Hz 60

Power Cord Included Yes

MHS

**CU UPCOUNTRY
LOT 3-5
20-2257 ELEV A
THE CALVERTON**

43 of 47

WHIRLPOOL WASHER Model #: WFW5620HW

LOCATION REQUIREMENTS

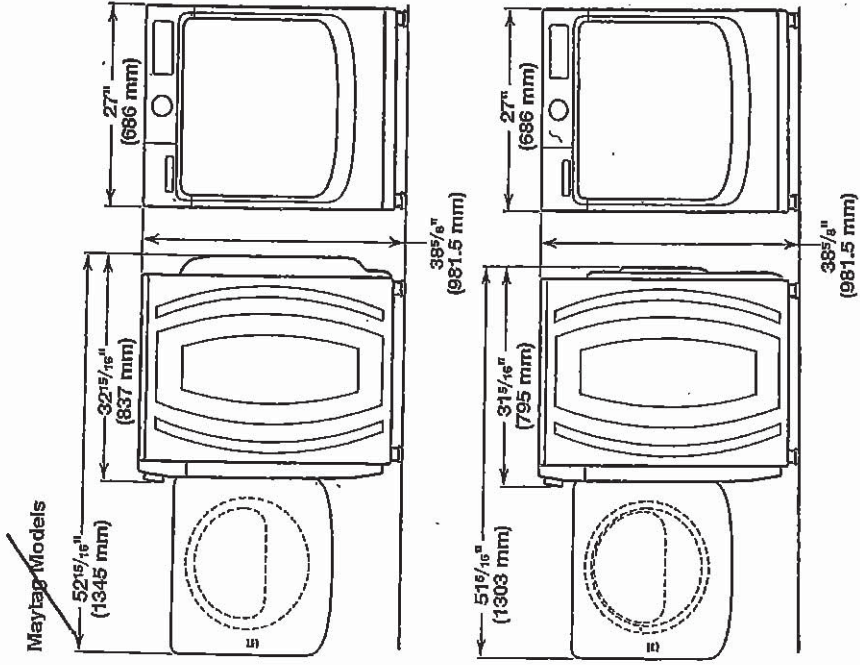
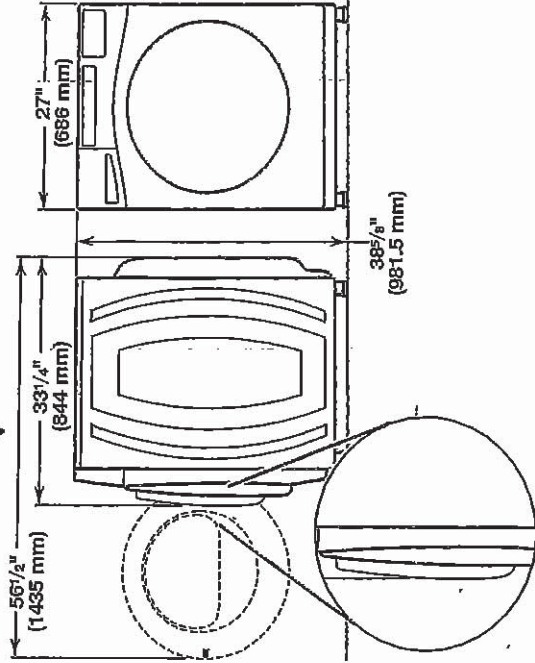
Proper installation is your responsibility.

You will need:

- A water heater set to 120°F (49°C).
- A grounded electrical outlet located within 6 ft (1.8 m) of power cord on back of washer.
- Hot and cold water faucets located within 4 ft (1.2 m) of hot and cold water fill valves on washer, and water pressure of 20–100 psi (137.9–689.6 kPa).
- A level floor with maximum slope of 1" (25 mm) under entire washer. Installing on carpet or surfaces with foam backing is not recommended.
- Floor must support washer's total weight (with water and load) of 315 lbs (143 kgs).

IMPORTANT: Do not install, store, or operate washer where it will be exposed to weather or in temperatures below 32°F (0°C). Water remaining in washer after use may cause damage in low temperatures. See "Washer Care" in your Use and Care Guide for winterizing information.

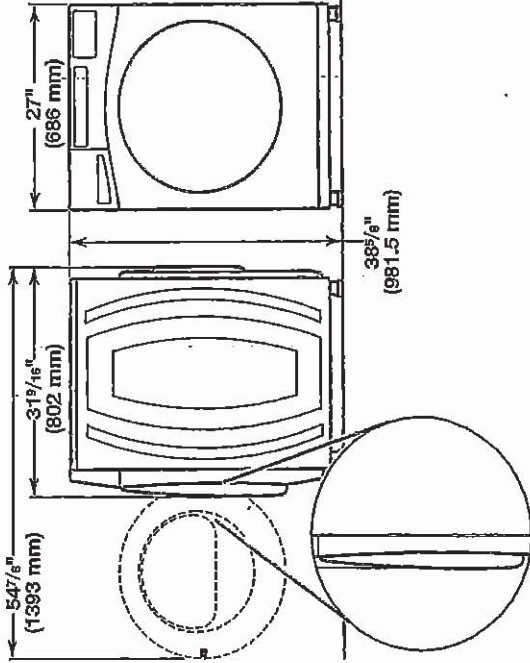
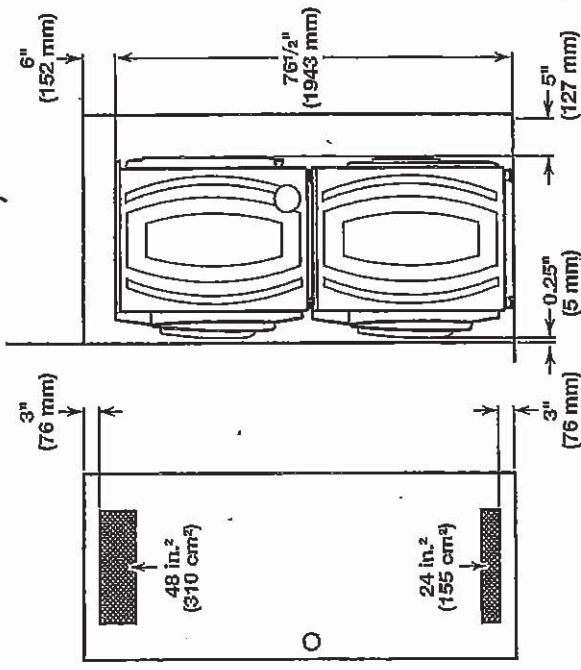
Whirlpool Models*



All dimensions show minimum spacing allowed. For each arrangement, consider allowing more space for ease of installation and servicing, and spacing for companion appliances and clearances for walls, doors, and floor moldings.

Space must be large enough to allow door to fully open. Add spacing of 1" (25 mm) on all sides of washer to reduce noise transfer. If a closet door or louvered door is installed, top and bottom air openings in door are required.

Recessed area or closet installation (stacked washer and dryer):



*For additional details (or information) specific to your model, refer to the 'Dimensions' listed for your model at www.whirlpool.com.

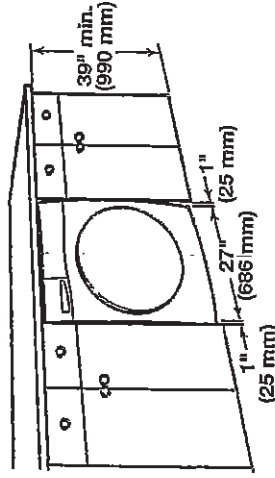
SHK

**CU UPCOUNTRY
LOT 3-5
20-2257 ELEV A
THE CALVERTON**

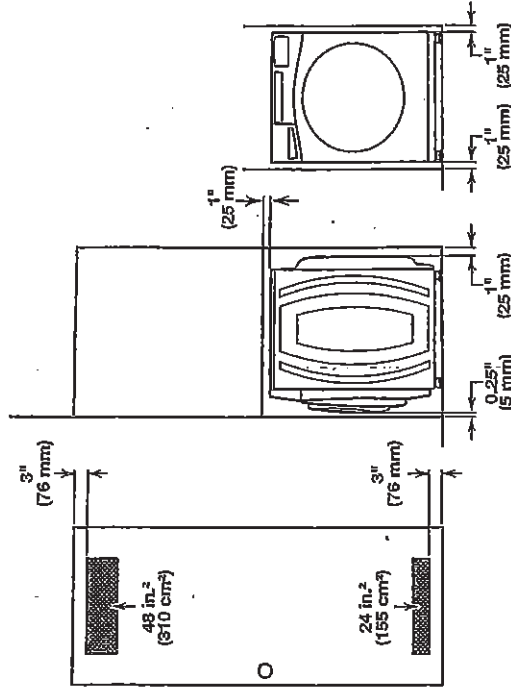
44 of 47

WHIRLPOOL WASHER Model #: WFW5620HW

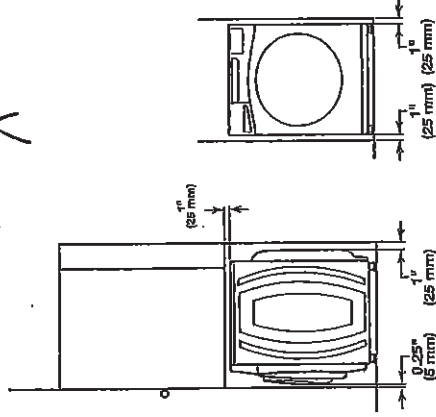
Custom under-counter installation: X



Recessed area or closet installation: X



Custom cabinet installation: X

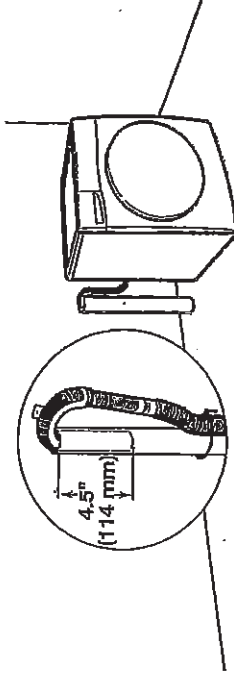


DRAIN SYSTEM

The drain system can be installed using a floor drain, wall standpipe, floor standpipe, or laundry tub. Select the method you need.

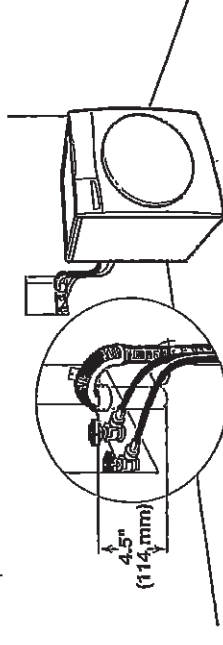
IMPORTANT: To avoid siphoning, only 4.5" (114 mm) of drain hose should be inside standpipe. Always secure drain hose with cable tie.

Floor standpipe drain system



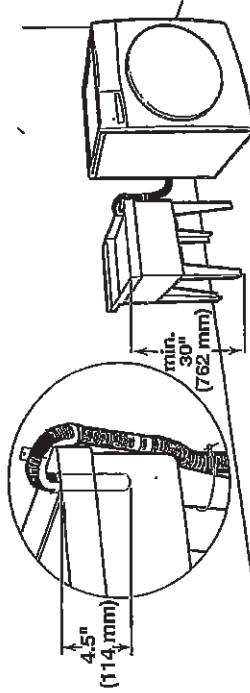
Minimum diameter for a standpipe drain: 2" (51 mm). Minimum carry-away capacity: 17 gal. (64 L) per minute. A 1/4" (6 mm) diameter to 1" (25 mm) diameter Standpipe Adapter Kit is available (Part Number 3363920). Top of standpipe must be at least 30" (762 mm) high; install no higher than 96" (2.44 m) from bottom of washer. If you have an overhead sewer and need to pump higher than 96" (2.44 m), a sump pump and associated hardware are needed. See "Alternate parts."

Wall standpipe drain system



See requirements for floor standpipe drain system.

Laundry tub drain system



Minimum capacity: 20 gal. (76 L). Top of laundry tub must be at least 30" (762 mm) above floor; install no higher than 96" (2.44 m) from bottom of washer.

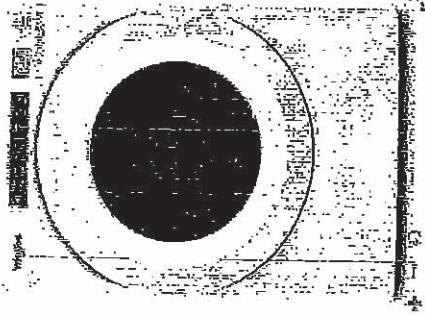
SHK

CU UPCOUNTRY
 LOT 3-5
 20-2257 ELEV A
 THE CALVERTON

45 of 47

WHIRLPOOL DRYER Model #: YWED5620HW

Whirlpool Brand Canada English | Weather and Dryers | Dryers | Electric Dryers | YWED5620HW



Define Your Style

7.4 cu. ft. Front Load Electric
 Dryer with Intuitive Touch
 Controls



Whirlpool 7.4 cu. ft. Front Load Electric Dryer with Intuitive Touch Controls

Model #: YWED5620HW

Dimensions

Depth	78.74 cm, 31.0 in
Depth With Door Open 90 Degree	138.43 cm, 54-1/2 in
Height	98.42 cm, 38-8/8 in
Width	68.58 cm, 27.0 in

Configuration and Overview

Fuel Type	Electric
Cycles and Options	
Cycle Time Remaining	Yes
Lint Filter Indicator	No
Number of Dryer Cycles	86
Number of Dryness Levels	3

Ventilation System

Long Vent	No
Maximum Vent Length	64
Venting Direction	Left, Right, Bottom, Rear

Electrical

Hz	60
Power Cord Included	Yes

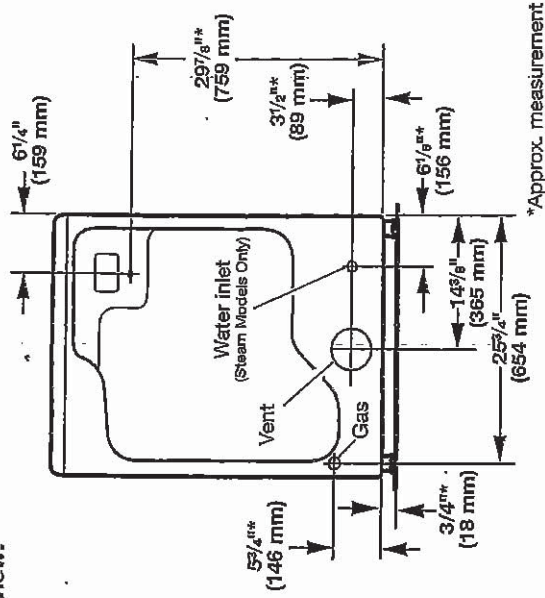
SHK

**CU UPCOUNTRY
LOT 3-5
20-2257 ELEV A
THE CALVERTON**

46 of 47

WHIRLPOOL DRYER Model #: YWED5620HW

Back view:



*Approx. measurement

NOTE: Most installations require a minimum of 5" (127 mm) clearance behind dryer for exhaust vent with elbow. See "Venting Requirements."

Installation Clearances

For each arrangement, consider allowing more space for ease of installation and servicing, spacing for companion appliances, and clearances for walls, doors, and floor moldings. Space must be large enough to allow door to fully open. Add spacing on all sides of dryer to reduce noise transfer. If a closet door or louvered door is installed, top and bottom air openings in door are required.

Check code requirements. Some codes limit, or do not permit, installation of the dryer in garages, closets, mobile homes, or sleeping quarters. Contact your local building inspector.

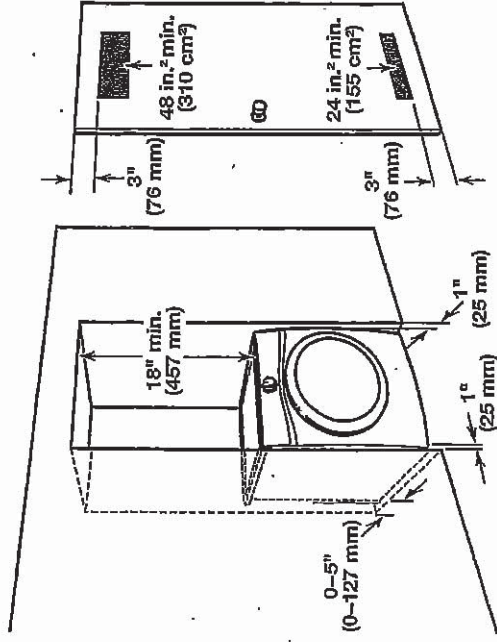
NOTE: No other fuel-burning appliance can be installed in the same closet as a dryer.

Installation spacing for recessed area or closet installation

All dimensions show recommended and minimum spacing allowed.

- Additional spacing should be considered for ease of installation and servicing.
- Additional clearances might be required for wall, door, floor moldings, dryer venting, and gas line.
- Additional spacing should be considered on all sides of the dryer to reduce noise transfer.
- For closet installation with a door, minimum ventilation openings in the top and bottom of the door are required. Louvered doors with equivalent ventilation openings are acceptable.
- Companion appliance spacing should also be considered.

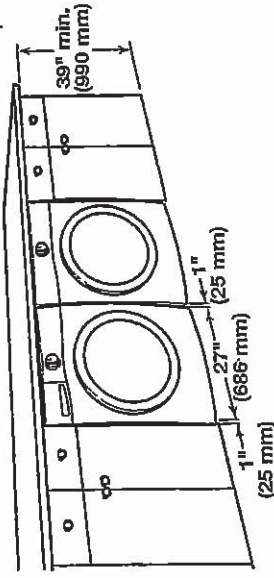
Recommended installation clearances (dryer only):



0" (0 mm) rear spacing is allowed for straight back venting only. For steam models only, inlet hose must not be kinked.

Custom under-counter installation:

X



Mobile home - Additional installation requirements:

This dryer is suitable for mobile home installations. The installation must conform to the Manufactured Home Construction and Safety Standard, Title 24 CFR, Part 3280 (formerly the Federal Standard for Mobile home construction and Safety, Title 24, HUD Part 280) or Standard CAN/CSA-Z240 MH.

Mobile home installations require:

- Metal exhaust system hardware, available for purchase from your dealer. For further information, see "Assistance or Service" in your Use and Care Guide.
- Special provisions must be made in mobile homes to introduce outside air into dryer. Openings (such as a nearby window) should be at least twice as large as dryer exhaust opening.

For mobile home installation of gas dryers:

- Mobile Home Installation Hold-down Kit, Part Number 346764 is available to order. For further information, see "Assistance or Service" in your Use and Care Guide.

SHL

CU UPCOUNTRY
LOT 3-5
20-2257 ELEV A
THE CALVERTON

47 of 47

WHIRLPOOL DRYER Model #: YWED5620HW

Additional parts may be required, depending on your installation. Check local codes. Check existing electrical supply and venting. Read "Electrical Requirements" and "Venting Requirements" before purchasing parts.

If using a power supply cord:

Use a UL Listed power supply cord kit marked for use with clothes dryers. The kit should contain:

- A UL Listed 30 amp power supply cord, rated 120/240 volt minimum. The cord should be type SRD or SRDT and be at least 4 ft. (1.22 m) long. The wires that connect to the dryer must end in ring terminals or spade terminals with upturned ends.

- A UL Listed strain relief.

Optional Equipment (not supplied with dryer):

Refer to your Use and Care Guide for information about accessories available for your dryer.

LOCATION REQUIREMENTS

Check code requirements. Some codes limit, or do not permit, installing dryer in garages, closets, mobile homes, or sleeping quarters. Contact your local building inspector.

! WARNING
Explosion Hazard
Keep flammable materials and vapors, such as gasoline, away from dryer.
Place dryer at least 18 inches (460 mm) above the floor for a garage installation.
Failure to do so can result in death, explosion, or fire.

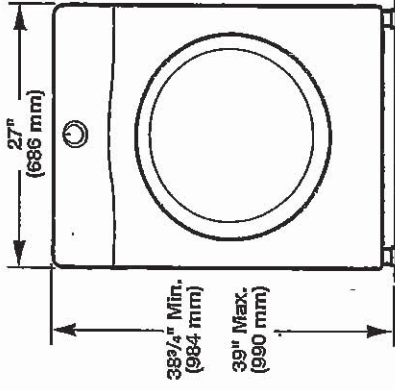
You will need:

- A location allowing for proper exhaust installation. See "Venting Requirements."
- A separate 15 or 20 amp circuit for a gas dryer or 30 amp circuit for an electric dryer.
- If using power supply cord, a grounded electrical outlet located within 2 ft. (610 mm) of either side of dryer. See "Electrical Requirements."
- Floor must support dryer weight of 200 lbs. (90.7 kg). Also consider weight of companion appliance.
- Cold water faucets located within 4 ft. (1.2 m) of the water fill valves, and water pressure of 20-120 psi (138-827 kPa). You may use your washer's water supply by purchasing the necessary parts noted in "Parts needed."
- Level floor with maximum slope of 1" (25 mm) under entire dryer. If slope is greater than 1" (25 mm), install Extended Dryer Feet Kit, Part Number 279810. If not level, clothes may not tumble properly and automatic sensor cycles may not operate correctly.
- For garage installation, place dryer at least 18" (460 mm) above floor. If using a pedestal, you will need 18" (460 mm) to bottom of dryer.
- The dryer must not be installed or stored in an area where it will be exposed to water and/or weather.

IMPORTANT: Do not operate, install, or store dryer where it will be exposed to water, weather, or at temperatures below 40°F (4°C). Lower temperatures may cause dryer not to shut off at end of automatic sensor cycles, resulting in longer drying times.

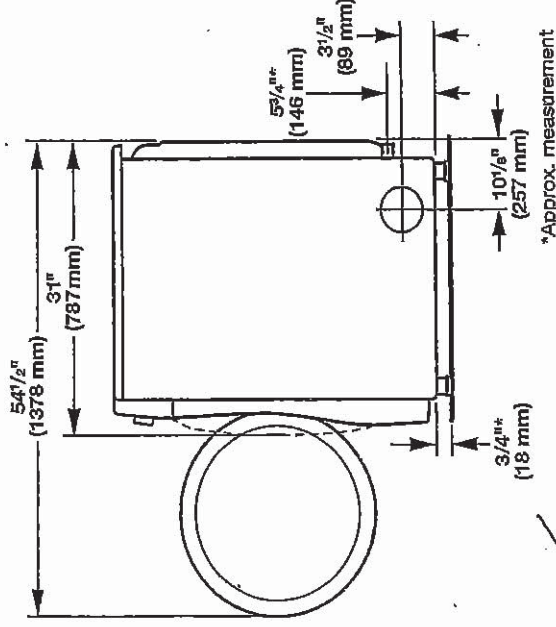
DRYER DIMENSIONS

Front view:

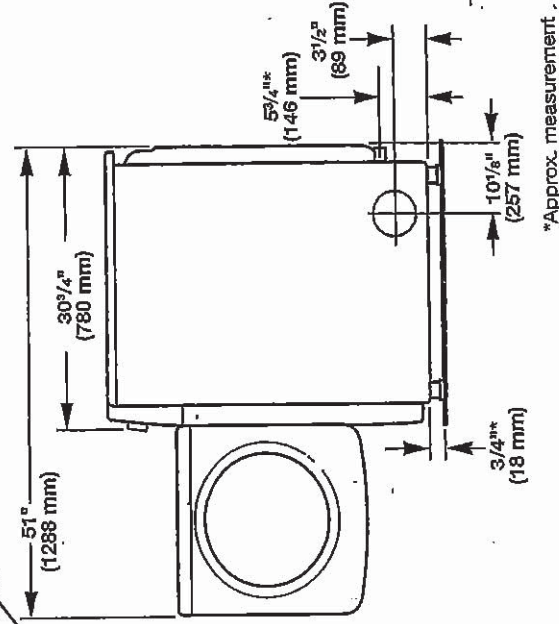


Side view:

Whirlpool Models



Maytag Models



SHC