



10-Jun-21

* REVISED *

PRE-Sales Selection Sheet

CHECKLIST

9 of 18
C2

20-1841 ELEV A THE ARLINGTON

LOT 050-3

PURCHASERS: JENNIFER L. DOUGLAS

CONTACT NO: 416-844-6991

VENDOR: HEATHWOOD HOMES (WHITBY) LIMITED - PHASE 4

FINISHED BASEMENT

COLD CELLAR

UPGRADED / MODIFIED ELEVATION

CORNER UPGRADE

SIDE UPGRADE

REAR UPGRADE

CEILING UPGRADE - SMOOTH

MAIN FLOOR

SECOND FLOOR

ADDITIONAL ROUGH-INS

200 AMP SERVICE

WET BAR ROUGH IN

GAS ROUGH-IN

STOVE

BBQ

HOODFAN VENTING

6" ROUND DUCT

7" ROUND DUCT

CHANGED FROM PRESS PAGE 1

WALK OUT DECK

WALK OUT BASEMENT

BASEMENT

HUMIDIFIER

AIRCON

DRYER

ADDITIONAL FIREPLACE

FULL BASEMENT STAIRS: PAIN'T GRADE

UPPER BASEMENT STAIRS: N/A

LOWER BASEMENT STAIRS: N/A

STAIRS TO LOWER LEVEL: ALL OAK

STAIRS TO UPPER LEVEL: N/A

MAIN STAIRS: ALL OAK

MEDIA STAIRS (if applicable): N/A

Date June 10 / 21 *Signature*

Purchaser *on file*

Date June 10 / 21

Décor Consultant

APPROVED

M. Green

Date Purchaser

-06-10-2021

Date Approved

HEATHWOOD HOMES (WHITBY) LIMITED - PHASE 4



Interior Finishing ~~Options~~ *Selections*

08-Jun-21

LOT 050-3

20-1841 ELEV A THE ARLINGTON

PURCHASERS: JENNIFER L. DOUGLAS

CONTACT NO: 416-844-6991

VENDOR: HEATHWOOD HOMES (WHITBY) LIMITED - PHASE 4

UPG

Appliances

6-4 Kitchen HoodFan

- Whirlpool Over-The-Range Microwave Hood Combination STAINLESS STEEL YWMH31017AS 30" *SPECS PAGES 28-31*

Cabinetry

- 1-9111 Kitchen Cabinet Colour/Style
- 3-2086 Kitchen Cabinet Hardware
- 25-9111 Main Bathroom Cabinet Colour/Style
- 29-7672 Main Bathroom Cabinet Hardware
- 28-8801 Main Bathroom Countertop
- 20-9157 Master Ensuite Cabinet Colour/Style
- 22-7672 Master Ensuite Cabinet Hardware
- 21-8796 Master Ensuite Countertop

- SIMCOE ORCHID VIKING III STD 3DL
- HARDWARE 9677 STD
- SIMCOE ORCHID VIKING III STD 3DL
- HARDWARE 135 STD
- Countertop INUKSHUK GREY P-344 LM Arborite
- SIMCOE MOONLIGHT Viking III STD 3DL
- HARDWARE 135 STD
- Countertop PALOMA POLAR ETCHINGS FINISH 6698-46 Formica

Carpet

- 37-9246 Bedroom 2 Flooring
- 38-9246 Bedroom 3 Flooring
- 14-9246 Family Room Flooring
- 36-9246 Master Bedroom Flooring
- 52-1079 Throughout Underpad

- Dynasty Tex 40 oz Poly BEACH SHELL DY 84558 STD
- Dynasty Tex 40 oz Poly BEACH SHELL DY 84558 STD
- Dynasty Tex 40 oz Poly BEACH SHELL DY 84558 STD
- Dynasty Tex 40 oz Poly BEACH SHELL DY 84558 STD
- Underpad 500 Series STD

Ceramics

- 16-9106 Foyer Flooring
- 17-2225 Foyer Grout
- 4-8104 Kitchen Backsplash
- 5-2226 Kitchen Backsplash Grout
- 348-5607 Laundry Mud Room Flooring

- Madison Series White Matte GE.MD.WHT.1818.MT UPG 1 18" X 18" Matte
- Grout (27) Silver STD
- ONTARIO HEXAGON MATTE TAUPE OD.ON.TPE.02.HEX.MT UPG_2
- Grout (00) White STD
- Sauble Anthracite (Black) GE.SU.ATR.1313 STD 13" X 13"

1. The Purchaser acknowledges these selections are subject to the terms and conditions of the applicable Agreement of Purchase and Sale.
2. The Purchaser acknowledges that the Vendor accepts no responsibility in the event the Vendor is unable to supply a selection. The Purchaser agrees to reselect from the currently available selections immediately upon request.
3. The Vendor reserves the right to substitute above materials and equipment with that of equal or better quality.
4. Purchaser acknowledges that items may not be exactly as shown. Variations from the Vendor's samples may occur in finished materials due to normal production processes. Vendor is not responsible for shade difference which may occur from different dye lots or wood grains. Variations from the Vendor's samples will occur with natural materials such as wood, marble, granite, hardwood and brick.
5. The Vendor reserves the right to select Grout & Thresholds that best suits the Tile selected.
6. Selections will not be processed unless signed by Heathwood Homes Head Office.
7. The colour selections made on the Colour Chart are final and cannot be changed once submitted.
8. The Purchaser has checked and acknowledges the accuracy of this Colour Chart.

Wesley D. Douglass *Jan 8/21*
 Date Purchaser
Wesley D. Douglass *Jan 8/21*
 Date Décor Consultant

Date Purchaser
 Date Approved HEATHWOOD HOMES (WHITBY) LIMITED - PHASE 4



08-Jun-21

Interior Finishing Selection Sheet

LOT 050-3

20-1841 ELEV A THE ARLINGTON

PURCHASERS: JENNIFER L. DOUGLAS

CONTACT NO: 416-844-6991

VENDOR: HEATHWOOD HOMES (WHITBY) LIMITED - PHASE 4

UPG

Ceramics

- 349-7704 Laundry Mud Room Grout Grout (19) Pearl Gray STD
- 30-5609 Main Bathroom Flooring Sauble Grey GE.SU.GRY.1313 STD 13" X 13"
- 31-2225 Main Bathroom Grout Grout (27) Silver STD
- 112-8833 Main Bathroom Tub Wall Tile Uniwall White QT.UW.WHT.0810 STD 8 x 10 INSTALL STACKED HORIZONTALLY
- 113-2226 Main Bathroom Tub Wall Tile Grout Grout (00) White STD
- 23-9257 Master Ensuite Floor Tile CARRARA White / Grey GE.CR.WHIT.1313.MT STD 13 x 13
- 24-2225 Master Ensuite Floor Tile Grout Grout (27) Silver STD
- 73-8661 Master Ensuite Shower Floor Tile Ontario Series Mosaic Snow White Matte OD.ON.SWT.0202.MT.N STD 2 x 2
- 74-2226 Master Ensuite Shower Floor Tile Grout Grout (00) White STD
- 147-8923 Master Ensuite Shower Jamb(s) and Sill(s) Shower Jamb / Sill Thassos White STD
- 104-8833 Master Ensuite Shower Wall Tile Uniwall White QT.UW.WHT.0810 STD 8 x 10 INSATLL STACKED HORIZONTALLY
- 105-2226 Master Ensuite Shower Wall Tile Grout Grout (00) White STD
- 32-9106 Powder Room Flooring Madison Series White Matte GE.MD.WHT.1818.MT UPG 1 18" X 18" Matte
- 33-2225 Powder Room Grout Grout (27) Silver STD
- 53-2232 Throughout Thresholds Metal Thresholds STD

Electrical

90-5796 Throughout Switches and Plug

Decora White Switches and Plugs STD

Fireplace

136-8891 Great Room Fireplace Mantle

Paint Grade Mantle- Cabinet (Per Plan) WHITE NF-17 STD
PAGE 2-1

135-8865 Great Room Fireplace Type

Dimplex FP3033HL Electric Fireplace

Granite

2-9069 Kitchen Countertop

MSI Quartz ICED WHITE Group 1 STD 3/4"

1. The Purchaser acknowledges these selections are subject to the terms and conditions of the applicable Agreement of Purchase and Sale.
2. The Purchaser acknowledges that the Vendor accepts no responsibility in the event the Vendor is unable to supply a selection. The Purchaser agrees to reselect from the currently available selections immediately upon request.
3. The Vendor reserves the right to substitute above materials and equipment with that of equal or better quality.
4. Purchaser acknowledges that items may not be exactly as shown. Variations from the Vendor's samples may occur in finished materials due to normal production processes. Vendor is not responsible for shade difference which may occur from different dye lots or wood grains. Variations from the Vendor's samples will occur with natural materials such as wood, marble, granite, hardwood and brick.
5. The Vendor reserves the right to select Grout & Thresholds that best suits the Tile selected.
6. Selections will not be processed unless signed by Heathwood Homes Head Office.
7. The colour selections made on the Colour Chart are final and cannot be changed once submitted.
8. The Purchaser has checked and acknowledges the accuracy of this Colour Chart.

Date June 8/21 Purchaser J. Douglas Date 08-10-2021 Décor Consultant W. Ryan

Date _____ Purchaser _____ Date Approved _____ HEATHWOOD HOMES (WHITBY) LIMITED - PHASE 4



08-Jun-21

Interior Finishing Selection Sheet

LOT 050-3

20-1841 ELEVA THE ARLINGTON

PURCHASERS: JENNIFER L. DOUGLAS

CONTACT NO: 416-844-6991

VENDOR: HEATHWOOD HOMES (WHITBY) LIMITED - PHASE 4

Hardwood

UPG

99-7498 Dining Room Flooring

Vintage Northern Solid Sawn Engineered Select V : Red Oak Pearl GRYPHON Red Oak Pearl 3/4" x 3 1/4"

11-7498 Great Room Flooring

Vintage Northern Solid Sawn Engineered Select V : Red Oak Pearl GRYPHON Red Oak Pearl 3/4" x 3 1/4"

338-7498 Kitchen Flooring

Vintage Northern Solid Sawn Engineered Select V : Red Oak Pearl GRYPHON Red Oak Pearl 3/4" x 3 1/4"

78-7498 Stair Landing to Lower Level Flooring

Vintage Northern Solid Sawn Engineered Select V : Red Oak Pearl GRYPHON Red Oak Pearl 3/4" x 3 1/4"

35-7498 Upper Hall Flooring

Vintage Northern Solid Sawn Engineered Select V : Red Oak Pearl GRYPHON Red Oak Pearl 3/4" x 3 1/4"

Interior Railings

49-8148 Stairs to Lower Level Handrail/Pickets/Posts Type

Single Collar Alt. Plain w/ Shoes with 3 1/2" Square/Cap Post(s) BLACK METAL STD

43-8148 Stairs to Upper Level Handrail/Pickets/Posts Type

Single Collar Alt. Plain w/ Shoes with 3 1/2" Square/Cap Post(s) BLACK METAL STD

Interior Stairs

116-1713 Basement Stairs Type

Paint Grade Stairs STD

45-1712 Stairs to Lower Level Type

Oak Stairs UPG_1

39-1712 Stairs to Upper Level Type

Oak Stairs UPG_1

Interior Trim

91-9374 Throughout Trim Size

4 1/4" Baseboards and 2 3/4" Integrated Backband Casings STD

Painting

46-7761 Stairs to Lower Level Colour

Stain handrail, stringers, treads,risers, nosing & posts. (Metal pickets) STAIRS TO BE STAINED TO COMPLIMENT GRYPHON HARDWOOD.STAIRS WILL VARY FROM FLOORS

40-7761 Stairs to Upper Level Colour

Stain handrail, stringers, treads,risers, nosing & posts. (Metal pickets) STAIRS TO BE STAINED TO COMPLIMENT GRYPHON HARDWOOD. STAIRS WILL VARY FROM FLOORS

240-1716 Throughout Trim - Paint Colour

Trim WHITE STD

51-1717 Throughout Walls - Paint Colour

Wall WARM GREY 22 STD

Plumbing

- The Purchaser acknowledges these selections are subject to the terms and conditions of the applicable Agreement of Purchase and Sale.
- The Purchaser acknowledges that the Vendor accepts no responsibility in the event the Vendor is unable to supply a selection. The Purchaser agrees to reselect from the currently available selections immediately upon request.
- The Vendor reserves the right to substitute above materials and equipment with that of equal or better quality.
- Purchaser acknowledges that items may not be exactly as shown. Variations from the Vendor's samples may occur in finished materials due to normal production processes. Vendor is not responsible for shade difference which may occur from different dye lots or wood grains. Variations from the Vendor's samples will occur with natural materials such as wood, marble, granite, hardwood and brick.
- The Vendor reserves the right to select Grout & Thresholds that best suits the tile selected.
- Selections will not be processed unless signed by Heathwood Homes Head Office.
- The colour selections made on the Colour Chart are final and cannot be changed once submitted.
- The Purchaser has checked and acknowledges the accuracy of this Colour Chart.

June 8/21 Doug Purchaser

Date

Purchaser

June 8/21 Whitby Décor Consultant

Date

Décor Consultant

-06-10-2021

Date

Purchaser

Date Approved: HEATHWOOD HOMES (WHITBY) LIMITED - PHASE 4



Interior Finishing Selection Sheet

08-Jun-21

LOT 050-3

20-1841 ELEVA THE ARLINGTON

PURCHASERS: JENNIFER L. DOUGLAS

CONTACT NO: 416-844-6991

VENDOR: HEATHWOOD HOMES (WHITBY) LIMITED - PHASE 4

UPG

Plumbing

266-1737 Main Bathroom Plumbing Fixture (Colour)

Plumbing Fixtures WHITE STD

149-1737 Master Ensuite Plumbing Fixture (colour)

Plumbing Fixtures WHITE STD

34-1737 Powder Room Plumbing Fixture (Colour)

Plumbing Fixtures WHITE STD

1. The Purchaser acknowledges these selections are subject to the terms and conditions of the applicable Agreement of Purchase and Sale.
2. The Purchaser acknowledges that the Vendor accepts no responsibility in the event the Vendor is unable to supply a selection. The Purchaser agrees to reselect from the currently available selections immediately upon request.
3. The Vendor reserves the right to substitute above materials and equipment with that of equal or better quality.
4. Purchaser acknowledges that items may not be exactly as shown. Variations from the Vendor's samples may occur from different dye lots or wood due to normal production processes. Vendor is not responsible for shade difference which may occur from different dye lots or wood grains. Variations from the Vendor's samples will occur with natural materials such as wood, marble, granite, hardwood and brick.
5. The Vendor reserves the right to select Grout & Thresholds that best suits the Tile selected.
6. Selections will not be processed unless signed by Heathwood Homes Head Office.
7. The colour selections made on the Colour Chart are final and cannot be changed once submitted.
8. The Purchaser has checked and acknowledges the accuracy of this Colour Chart.

June 8/21 J. Douglass
Date Purchaser

June 8/21 J. Whittles
Date Décor Consultant

-06-10-2021

Date Purchaser

Date Approved HEATHWOOD HOMES (WHITBY) LIMITED - PHASE 4



Sales Selection Sheet

08-Jun-21

LOT 050-3

20-1841 ELEV A THE ARLINGTON

PURCHASERS: JENNIFER L. DOUGLAS

CONTACT NO: 416-844-6991

VENDOR: HEATHWOOD HOMES (WHITBY) LIMITED - PHASE 4

HST #

It is herein understood and agreed between the undersigned parties hereto that the following changes shall be made to the above mentioned Agreement of Purchase and Sale in accordance with the agreement and except for such changes noted below, all other terms and conditions in the Agreement of Purchase and Sale shall remain as stated herein: It is further understood that and agreed that all changes and additions shall be installed as per builder's specifications, location and available selections. The Purchaser hereby agrees to purchase the following extras:

AMOUNT:

Appliances

2173 WHIRLPOOL OTR SS YWMMH31017HZ

SPECS PAGES 28-31

Qty: 1

Cabinetry

1368 Optional Extras

05H- 66cm deep fridge enclosure (counter depth) includes [1] 66cm deep cabinet and [2] 66cm deep gables (note: this is not a zero clearance enclosure. Standard heights and widths will be used) SKETCH # 7 PAGE 19

Qty: 1

Ceramics

1679 Upgrade 1 Tile

Foyer Floor

Qty: 1

1686

Upgrade 2 Tile

Kitchen Optional Backsplash

Qty: 1

1680

Upgrade 1 Tile

Powder Floor

Qty: 1

Fireplace

81

Purchasers have been advised: heat from the FP can damage TV above a FP and items placed on mantle. Purchasers acknowledge: Heathwood Homes and its contractors will not be liable for any damage on items placed/installed above a FP after closing

Qty: 1

1. This Sales Selection Sheet when properly executed forms part of our Agreement of Purchase and Sale.
2. All extras and upgrades listed above are subject to Construction Progress and Architectural and Municipal requirements.
3. In the event the Vendor is unable to incorporate the work approved above in the construction of the house for any reason whatsoever, the Vendor will not be liable to the Purchaser in any way. The monies paid for any changes or optional extras not proceeded with shall be returned to the Purchaser, without interest. The cost of options or extras is non-refundable in all other circumstances. If for any reason whatsoever the Agreement of Purchase and Sale is not completed, the total cost of work approved above will be retained by the Vendor.
4. The Vendor reserves the right to substitute above materials and equipment with that of equal or better quality.
5. Purchaser acknowledges that items may not be exactly as shown. Variations from the Vendor's samples may occur in finished materials due to normal production processes. Vendor is not responsible for shade difference which may occur from different dye lots or wood grains. Variations from the Vendor's samples will occur with natural materials such as wood, marble, granite, hardwood and brick.
6. The Vendor reserves the right to select Grout & Thresholds that best suits the Tile selected.
7. Selections will not be processed unless signed by Heathwood Homes Head Office.
8. The selections made on this schedule are final and cannot be changed once submitted.
9. The Purchaser has checked and acknowledges the accuracy of this schedule.

June 8/21 *J. Douglas* Purchaser

Purchaser

Date

June 8/21

Décor Consultant

Date: ~~APPROVED~~

M. Kavan

-06-10-2021

Purchaser

Date

Date Approved: HEATHWOOD HOMES (WHITBY) LIMITED - PHASE 4



08-Jun-21

Sales Selection Sheet
OF 10

20-1841 ELEV A THE ARLINGTON

LOT 050-3

PURCHASERS: JENNIFER L. DOUGLAS

CONTACT NO: 416-844-6991

VENDOR: HEATHWOOD HOMES (WHITBY) LIMITED - PHASE 4

HST #

It is herein understood and agreed between the undersigned parties hereto that the following changes shall be made to the above mentioned Agreement of Purchase and Sale in accordance with the agreement and except for such changes noted below, all other terms and conditions in the Agreement of Purchase and Sale shall remain as stated herein: It is further understood that and agreed that all changes and additions shall be installed as per builder's specifications, location and available selections. The Purchaser hereby agrees to purchase the following extras:

AMOUNT:

Hardwood		
976	Vintage 3-1/4" Red Oak Select-V	KITCHEN Qty: 1
Interior Stairs		
21		KITCHEN Qty: 1
Plumbing		
276	STANDARD Kitchen Sink Option KINDRED Kitchen Sink Collection - Reginox ND1831 UA/9 Stainless Kitchen Double (equal size) Bowl Undermount Sink (or equivalent) PAGE 22	KITCHEN Qty: 1
2139	OPTION FROM ONE SINK TO DOUBLE SINKS INCLUDING STD CHATEAU FAUCET, STD COLONY SINK, ONE EXTRA VANITY LIGHT, ONE EXTRA PLUG AND CABINET CONVERSION SELECTION MADE ON PRE-SSS - PRICE WAS NOT APPLIED	Master Ensuite Qty: 1

SKETCH # 8 PAGE 20

1. This Sales Selection Sheet when properly executed forms part of our Agreement of Purchase and Sale.
2. All extras and upgrades listed above are subject to Construction Progress and Architectural and Municipal requirements.
3. In the event the Vendor is unable to incorporate the work approved above in the construction of the house for any reason whatsoever, the Vendor will not be liable to the Purchaser in any way. The monies paid for any changes or optional extras not proceeded with shall be returned to the Purchaser, without interest. The cost of options or extras is non-refundable in all other circumstances. If for any reason whatsoever the Agreement of Purchase and Sale is not completed, the total cost of work approved above will be retained by the Vendor.
4. The Vendor reserves the right to substitute above materials and equipment with that of equal or better quality.
5. Purchaser acknowledges that items may not be exactly as shown. Variations from the Vendor's samples may occur in finished materials due to normal production processes. Vendor is not responsible for shade difference which may occur from different dye lots or wood grains. Variations from the Vendor's samples will occur with natural materials such as wood, marble, granite, hardwood and brick.
6. The Vendor reserves the right to select Grout & Thresholds that best suits the Tile selected.
7. Selections will not be processed unless signed by Heathwood Homes Head Office.
8. The selections made on this schedule are final and cannot be changed once submitted.
9. The Purchaser has checked and acknowledges the accuracy of this schedule.

June 8/21 J. Douglas Purchaser
 Date June 8/21 M. Moran Décor Consultant
 Date Approved -06-10-2021
 Date Approved HEATHWOOD HOMES (WHITBY) LIMITED - PHASE 4



08-Jun-21

LOT 050-3

PURCHASERS: JENNIFER L. DOUGLAS

VENDOR: HEATHWOOD HOMES (WHITBY) LIMITED - PHASE 4

CONTACT NO: 416-844-6991

HST #

20-1841 ELEV A THE ARLINGTON

It is herein understood and agreed between the undersigned parties hereto that the following changes shall be made to the above mentioned Agreement of Purchase and Sale in accordance with the agreement and except for such changes noted below, all other terms and conditions in the Agreement of Purchase and Sale shall remain as stated herein: It is further understood that and agreed that all changes and additions shall be installed as per builder's specifications, location and available selections. The Purchaser hereby agrees to purchase the following extras:

AMOUNT:

Sales Selection Sheet
Of

1. This Sales Selection Sheet when properly executed forms part of our Agreement of Purchase and Sale.
2. All extras and upgrades listed above are subject to Construction Progress and Architectural and Municipal requirements.
3. In the event the Vendor is unable to incorporate the work approved above in the construction of the house for any reason whatsoever, the Vendor will not be liable to the Purchaser in any way. The monies paid for any changes or optional extras not proceeded with shall be returned to the Purchaser, without interest. The cost of options or extras is non-refundable in all other circumstances. If for any reason whatsoever the Agreement of Purchase and Sale is not completed, the total cost of work approved above will be retained by the Vendor.
4. The Vendor reserves the right to substitute above materials and equipment with that of equal or better quality.
5. Purchaser acknowledges that items may not be exactly as shown. Variations from the Vendor's samples may occur in finished materials due to normal production processes. Vendor is not responsible for shade difference which may occur from different dye lots or wood grains. Variations from the Vendor's samples will occur with natural materials such as wood, marble, granite, hardwood and brick.
6. The Vendor reserves the right to select Grout & Thresholds that best suits the Tile selected.
7. Selections will not be processed unless signed by Heathwood Homes Head Office.
8. The selections made on this schedule are final and cannot be changed once submitted.
9. The Purchaser has checked and acknowledges the accuracy of this schedule.

Date June 8/21 Purchaser J. Douglas Date June 8/21 Décor Consultant [Signature]
 Date June 8/21 Purchaser J. Douglas Date June 8/21 Décor Consultant [Signature]
 Date June 8/21 Purchaser J. Douglas Date June 8/21 Décor Consultant [Signature]

Date Approved June 8/21 HEATHWOOD HOMES (WHITBY) LIMITED - PHASE 4

C2 COUNTRY LANE
LOT 50-3
20-1841 ELEV A
THE ARLINGTON

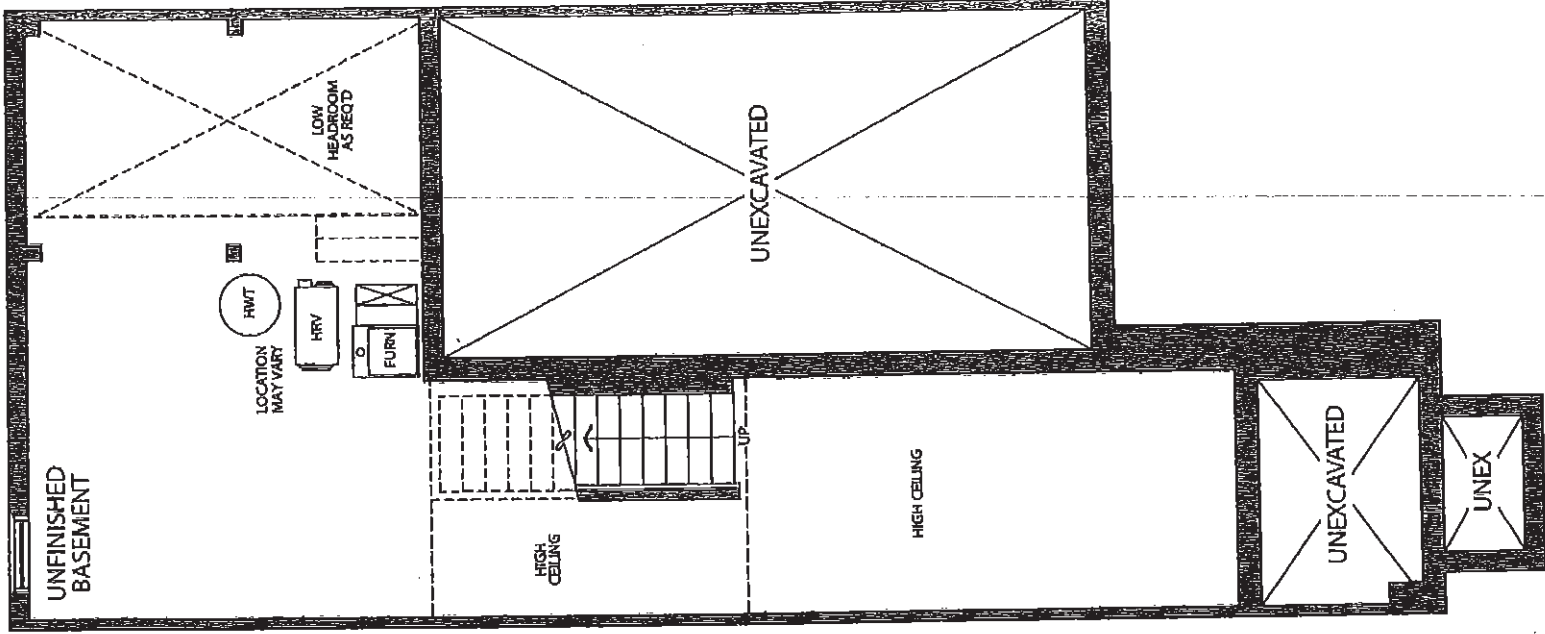
20-1841 ELEV. A

17 of 48

The Arlington

ELEVATION A & B: 1,841 SQ FT

Sketch # 5



BASEMENT
ELEVATION A & B

SD

Legal Plan July 22, 2020

C2 COUNTRY LANE
LOT 50-3
20-1841 ELEV A
THE ARLINGTON

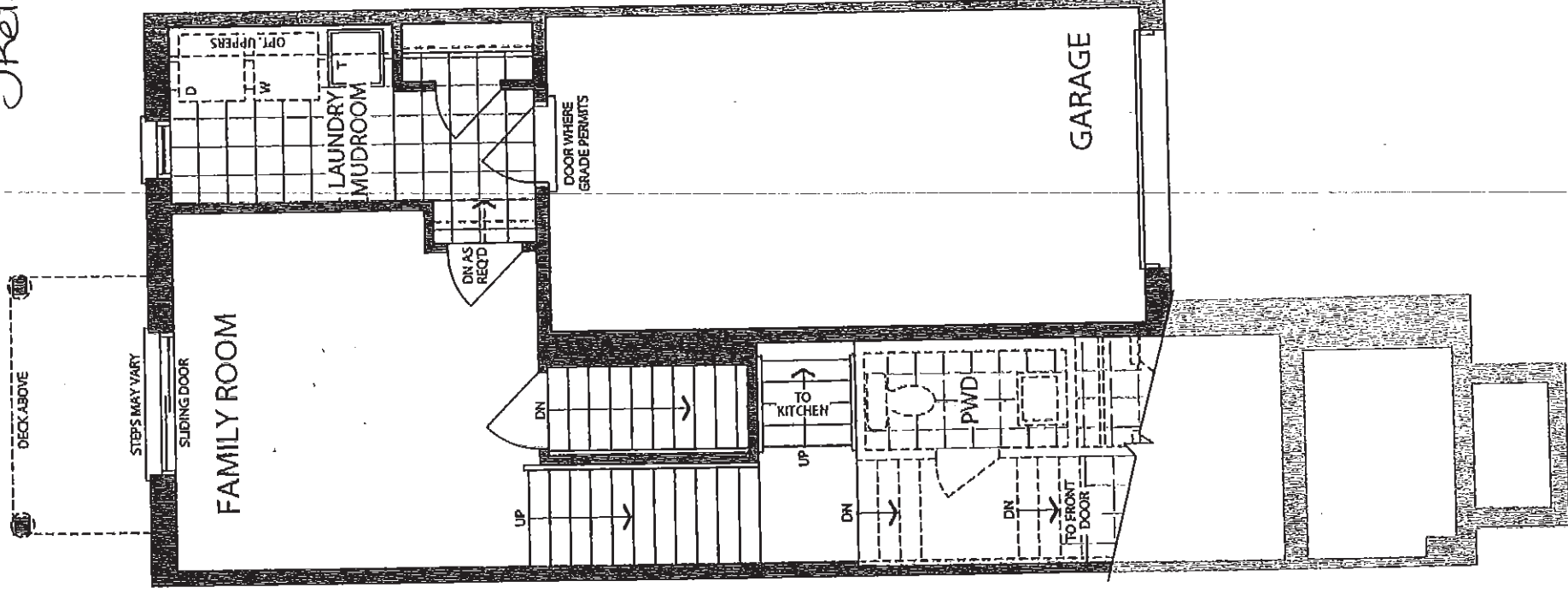
18 of 48

The Arlington

ELEVATION A & B: 1,841 SQ FT

20-1841 ELEV. A

Sketch #6



LOWER LEVEL
ELEVATION A & B

SD

C2 COUNTRY LANE
LOT 50-3
20-1841 ELEV A
THE ARLINGTON

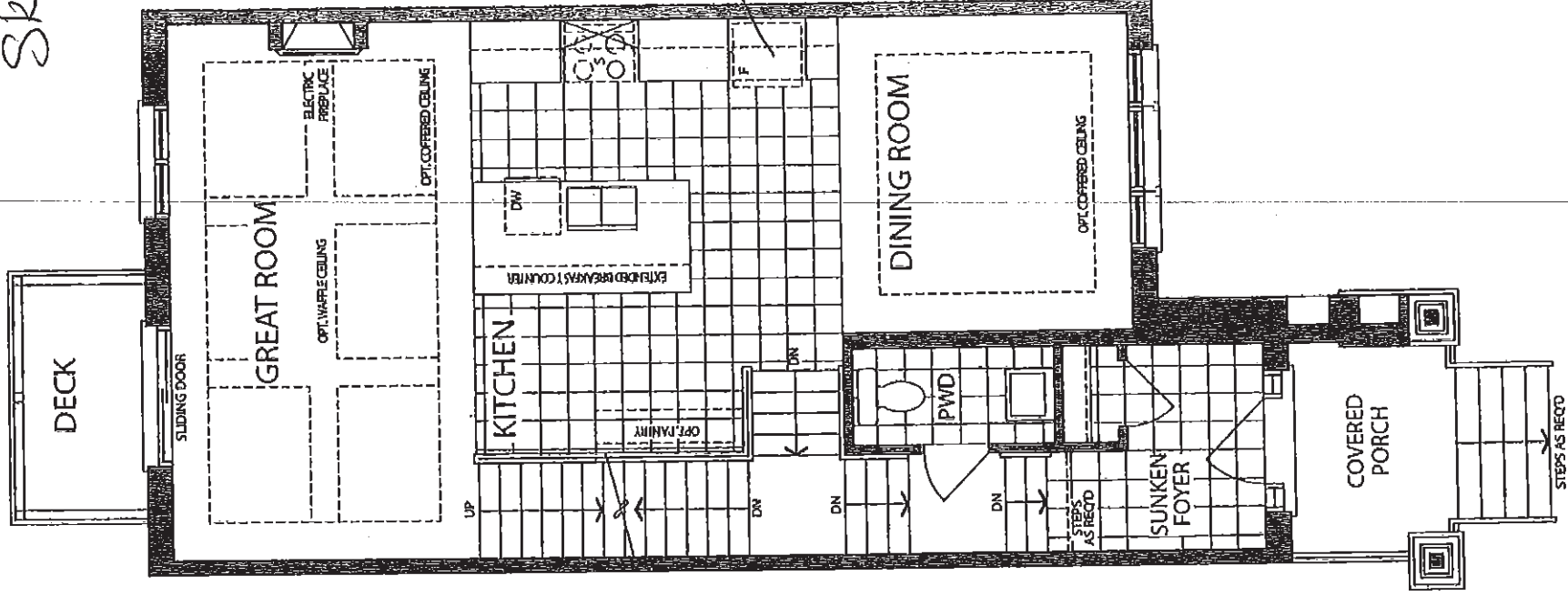
19 of 48

The Arlington

20-1841 ELEV. A

ELEVATION A & B: 1,841 SQ FT

Sketch # 7



MAIN LEVEL
ELEVATION A

Legal Plan July 22, 2020

C2 COUNTRY LANE
LOT 50-3
20-1841 ELEV A
THE ARLINGTON

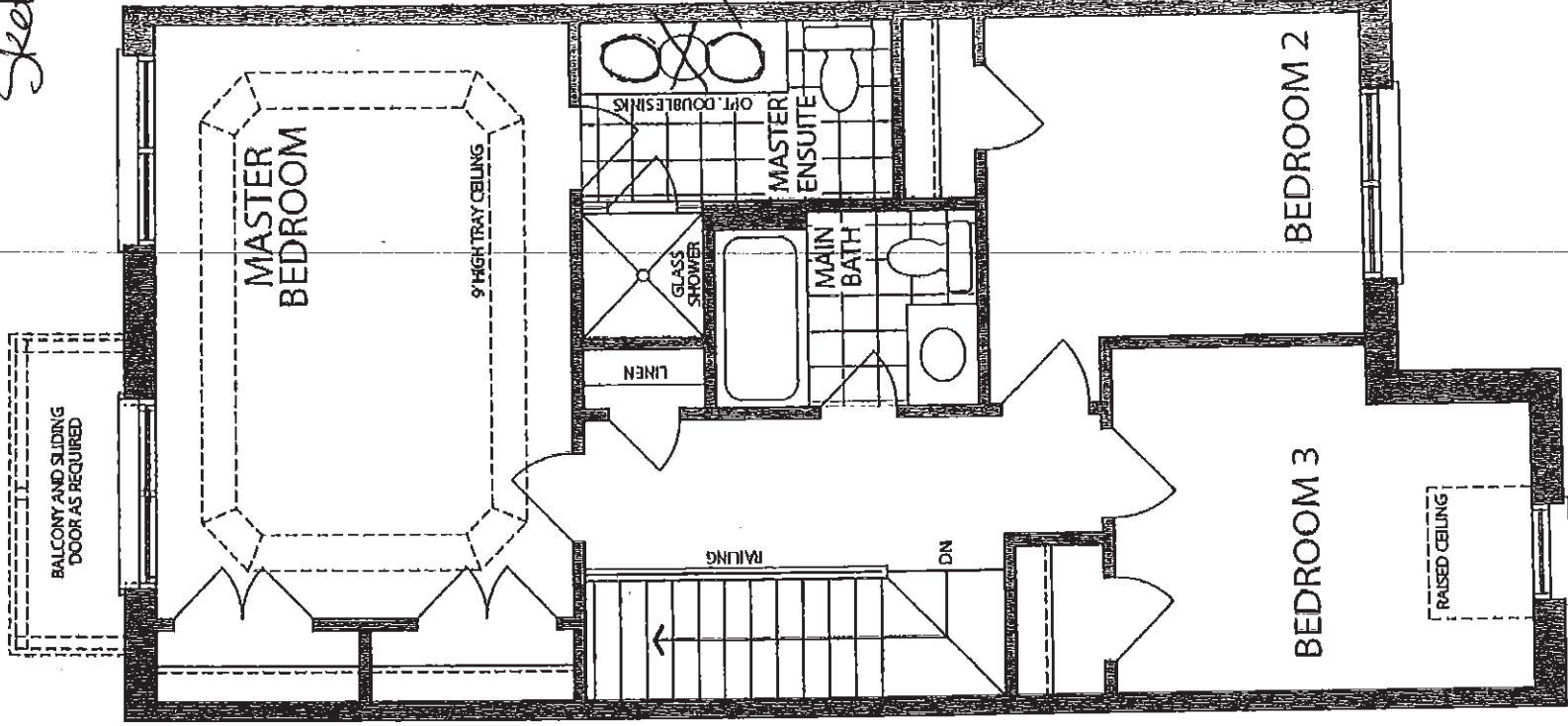
20 of 18

The Arlington

ELEVATION A & B: 1,841 SQ FT

20-1841 ELEV. A

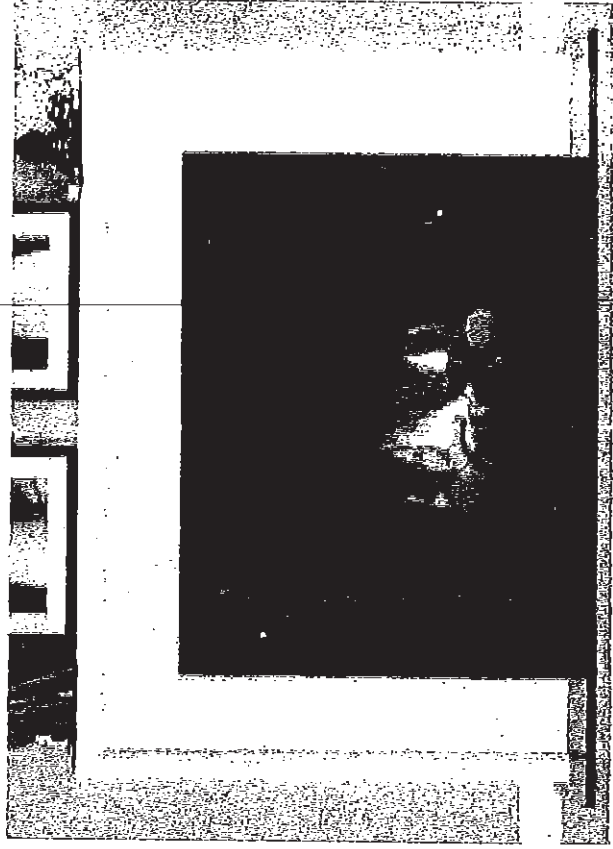
Sketch #8



UPPER LEVEL
ELEVATION A

C2 COUNTRY LANE
LOT 50-3
20-1841 ELEV A
THE ARLINGTON

21 of 218



CABINET

NEAS NF17 Mantel

21

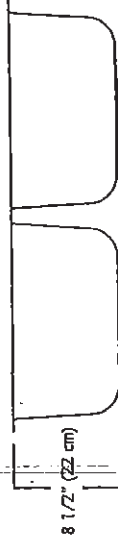
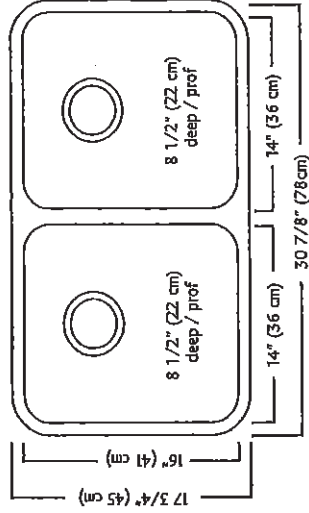
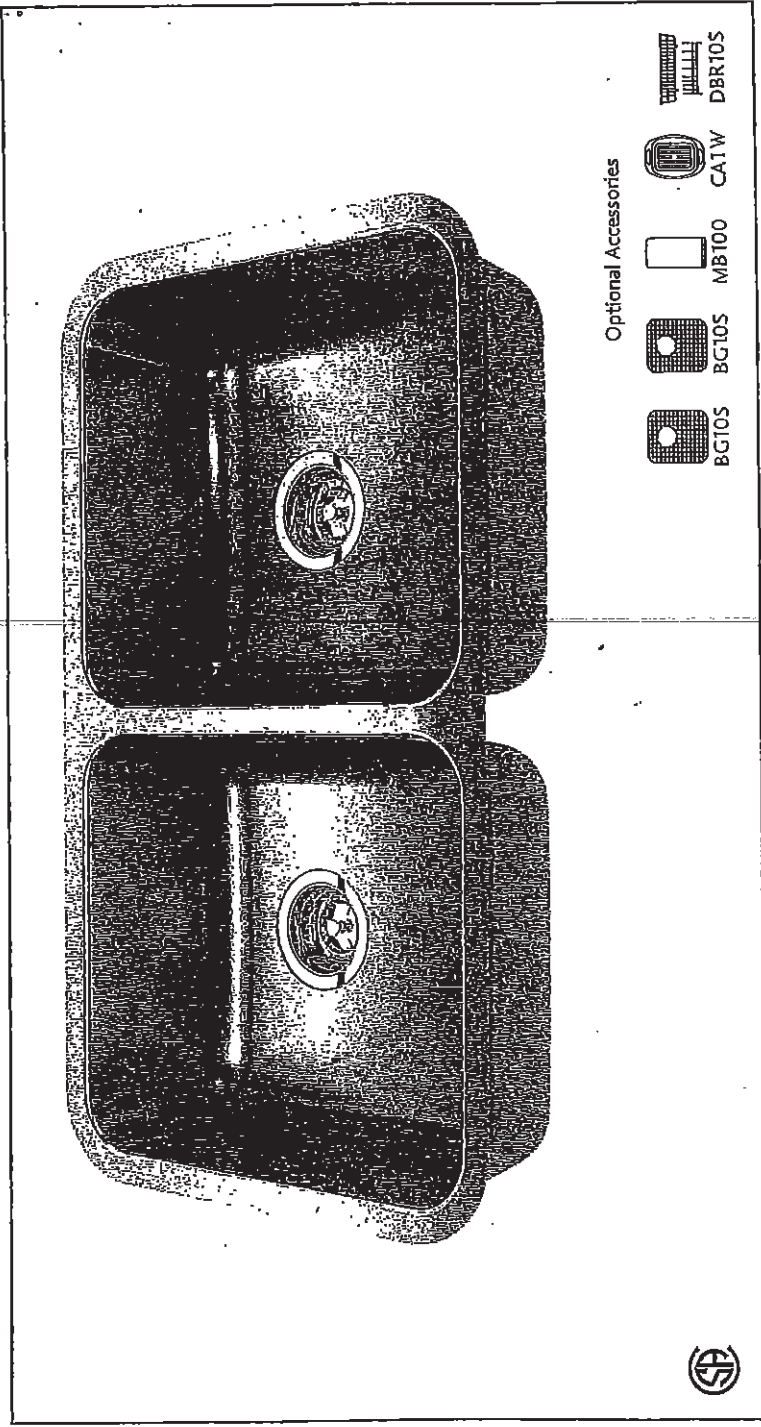
C2 COUNTRY LANE
 LOT 50-3
 20-1841 ELEV A
 THE ARLINGTON

22 of 48



STANDARD KITCHEN SINK

ND1831UA/9



ND1831UA/9 SPECIFICATION

Model ND1831UA/9 is a double (two equal size) bowl undermount sink manufactured by Franke Kindred Canada Limited from 18 gauge stainless steel. Product has silk finished rims and linear brush finished bowls. Sink is fully undercoated. Basket strainer waste fittings (3 1/2", 89 mm) are included. Sink is backed with a limited lifetime warranty.

- O.D. 17 3/4" x 30 7/8" x 8 1/2" (45 x 78 x 22 cm)
- Recommended for minimum 36" cabinet

Franke Kindred Canada Limited
 P.O. Box 190, 1000 Franke Kindred Road, Midland, Ontario, Canada, L4R 4K9 Phone: 866-687-7465 Fax: 800-361-8408

88

C2 COUNTRY LANE
LOT 50-3
20-1841 ELEV A
THE ARLINGTON

23 of 18

STANDARD KITCHEN FAUCET



Single Handle Pull-Down Kitchen
Faucet*

Model 7565†

Align

Modern

20

C2 COUNTRY LANE
LOT 50-3
20-1841 ELEV A
THE ARLINGTON

24 of 118

*American
Standard*

BOULEVARD® PEDESTAL SINK

- 0641.800 Faucet holes on 8" (203mm) centers (illustrated).
- * 0641.400 Faucet holes on 4" (102mm) centers
- 0641.100 Center hole only
 - Classic styled rectangular pedestal lavatory
 - Vitreous china
 - Rear overflow
 - Supplied with mounting kit
 - Right Height® for greater comfort during use
 - Faucet ledge with large deck area (faucet not included)
 - Design coordinates with Boulevard® Toilet
 - Basin has flat bottom to also allow use as an above counter sink or a drop-in sink (with u-shaped cut out)

Nominal Dimensions:

24" x 19" x 35-1/2"
(610 x 483 x 902mm)

- 0641.008 Pedestal top-8" (203mm) centers
- 0641.004 Pedestal top-4" (102mm) centers
- 0641.001 Pedestal top-center hole only
- 0010.000 Pedestal only

Bowl sizes:

17" (432mm) wide,
12-1/2" (318mm) front to back,
5" (127mm) deep

Compliance Certifications -

Meets or Exceeds the Following Specifications:

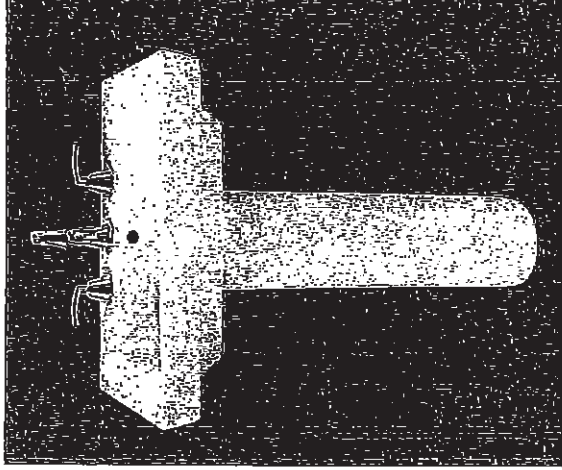
- ASME A112.19.2 - 2008/CSA B45.1-08

To Be Specified:

- Color: White Linen
- Faucet Finish:
- Supplies:
- 1-1/4" Trap:
- Nipple:

* See faucet section for additional models available

**BOULEVARD®
PEDESTAL SINK**
VITREOUS CHINA



SEE REVERSE FOR ROUGHING-IN DIMENSIONS

2012

C2 COUNTRY LANE
 LOT 50-3
 20-1841 ELEV A
 THE ARLINGTON



COLONY™
 COUNTERTOP SINK
 VITREOUS CHINA

25 of 48

COLONY COUNTERTOP SINK

- Vitreous china
 - Self-rimming
 - Front overflow
 - Supplied with template
 - Faucet deck
- (Faucet shown not included)

- 0346 803
Faucet holes on 203mm (8") centres
- 0346 403 (Illustrated)
Faucet holes on 102mm (4") centres

- 0346 001
Centre hole only

Nominal Dimensions:
 521 x 448mm (20-1/2" x 17-5/8")
 Bowl sizes:
 422mm (16-5/8") wide, 279mm (11") front to
 back, 143mm (5-5/8") deep

COMPLIANCE CERTIFICATIONS –
 Meets or exceeds the following Specifications:
 • ASME A112.19.2M for Vitreous China Fixtures.
 • CAN/CSA B45 Series.

To Be Specified

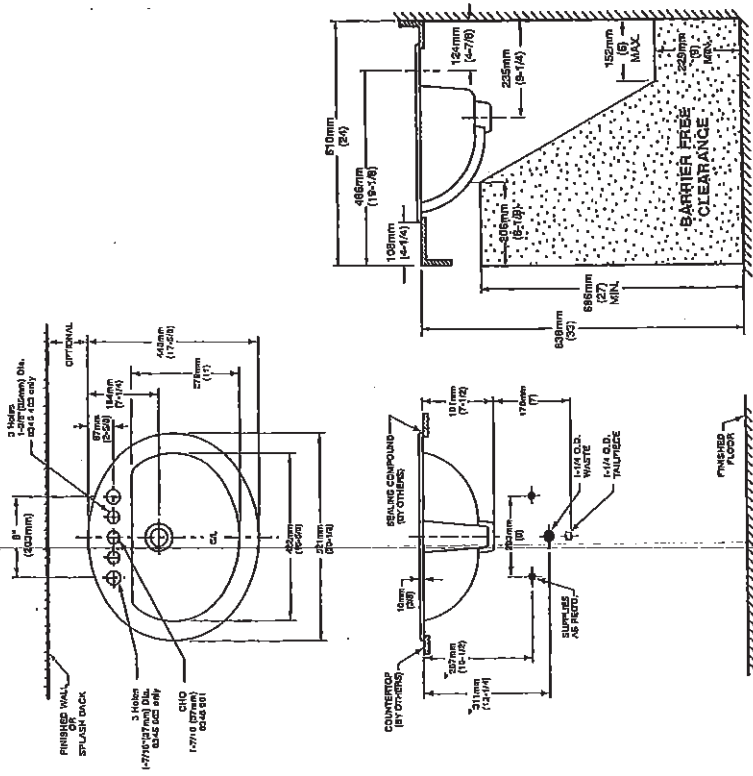
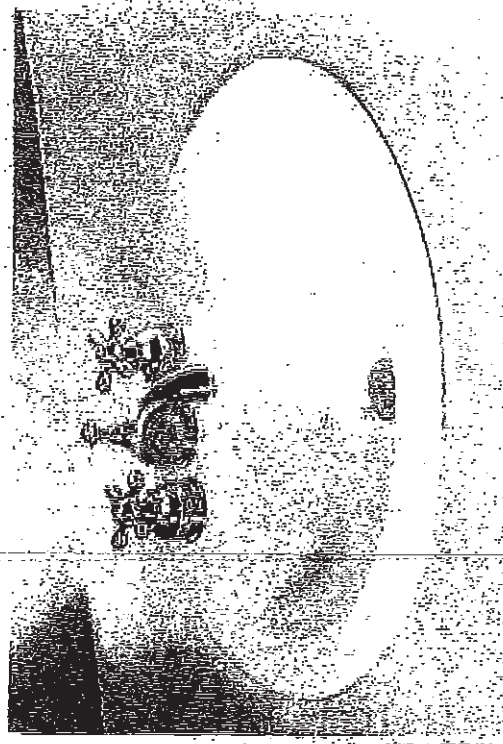
- Colour: White Bone Silver Gray
- Linen
- Faucet*:
- Faucet Finish:
- Supplies & Stops:
- Trap 1-1/4" (32 mm):

* See faucet section for additional models available

BAS-198

© 2000 American Standard Inc.

01/07



NOTES:
 * DIMENSIONS SHOWN FOR LOCATION OF SUPPLIES AND "P" TRAP ARE SUGGESTED.
 FOR COUNTERTOP CUTOOUT AND INSTALLATION INSTRUCTIONS USE TEMPLATE
 SUPPLIED WITH SINK.
 FAUCETS NOT INCLUDED AND MUST BE ORDERED SEPARATELY.
 IMPORTANT: Dimensions of fixtures are nominal and may vary within the range of tolerances
 established by ANSI Standard A112.19.2.
 These measurements are subject to change or cancellation. No responsibility is assumed for use
 of superseded or voided pages.

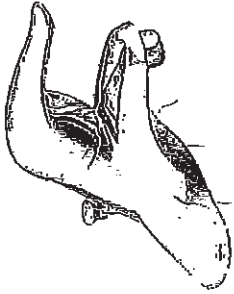
20

C2 COUNTRY LANE
LOT 50-3
20-1841 ELEV A
THE ARLINGTON

26 of 48

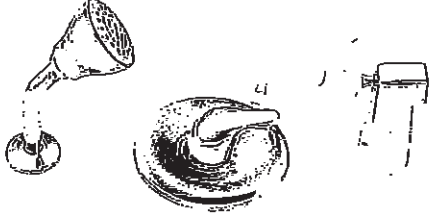
Chateau

Transitional



Lavatory Faucet with Pop-Up Drain
Model L4621†

VANITY SINKS AND PEDESTAL



Posi-Temp® Pressure Balancing Tub/Shower
Model 62320 / TL183†

OR

Posi-Temp Valve and Tub/Shower Trim
with Eco-Performance Easy Clean® XL

Model 62320 / TL183EP†

(TL183EP not available in BC)

SHOWER AND 5" TUB FAUCETS



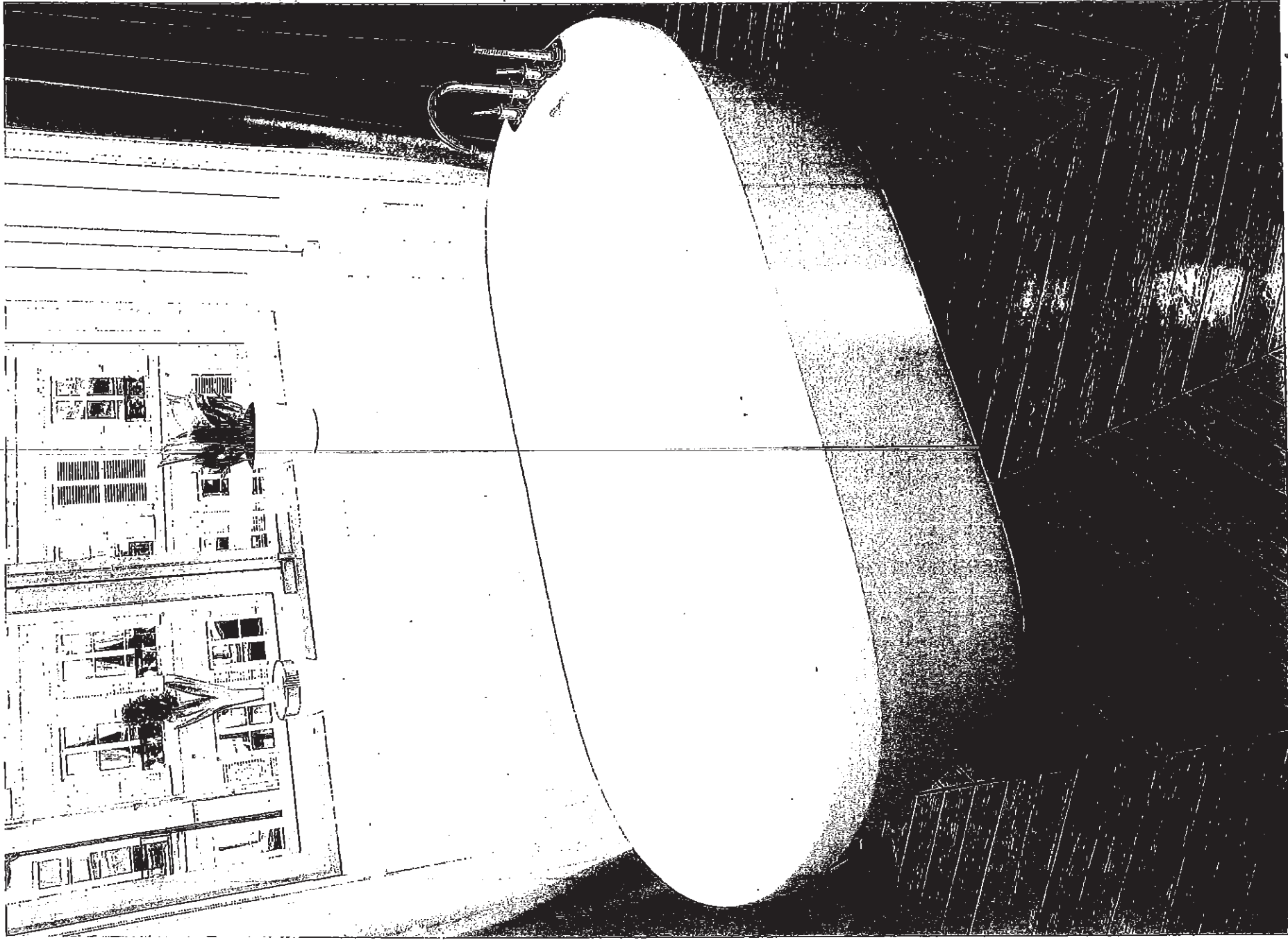
2 Handle Roman Tub with 9" Spout
Model 4796 / T990†

FREESTANDING TUB FAUCETS

20

C2 COUNTRY LANE
LOT 50-3
20-1841 ELEV A
THE ARLINGTON

27 of 48



Demi CF2007

27

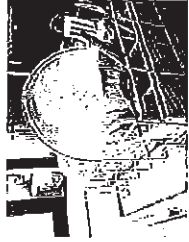
C2 COUNTRY LANE
 LOT 50-3
 20-1841 ELEV A
 THE ARLINGTON

28 of 48

WHIRLPOOL
OVER-THE-RANGE MICROWAVE



DISHWASHER-SAFE TURNTABLE PLATE



Clean up spills on the turntable by simply putting it in the dishwasher.

1.8-CUBIC-FOOT CAPACITY MOTOR CLEAN



Match the right amount of ventilation to the dish being prepared and quickly get rid of cooking odors with two different fan speed settings.

MICROWAVE PRESETS



Get just the right amount of heat and time, whether you're cooking or defrosting, with specific preset options.

OTHER FEATURES

- Add 30 seconds option
- Electronic touch controls
- Adjustable cooktop lighting



White (W)



Black (B)



Fingerprint Resistant Stainless Steel (Z)



Silver (S)

MODEL	WHIRLPOOL	WHIRLPOOL	WHIRLPOOL	WHIRLPOOL
-------	-----------	-----------	-----------	-----------

Max height (in)	17-1/8"	17-1/8"	17-1/8"	17-1/8"
Width (in)	29-15/16"	29-15/16"	29-15/16"	29-15/16"
Depth (in)	15-9/16"	15-9/16"	15-9/16"	15-9/16"

Whirlpool®

*Performance varies based on installation.
 ©™ 2018 Whirlpool. All rights reserved. 1/18. WC170107A

SP

C2 COUNTRY LANE
 LOT 50-3
 20-1841 ELEV A
 THE ARLINGTON

29 of 48

Whirlpool® MICROWAVE HOOD INSTALLATION INSTRUCTIONS

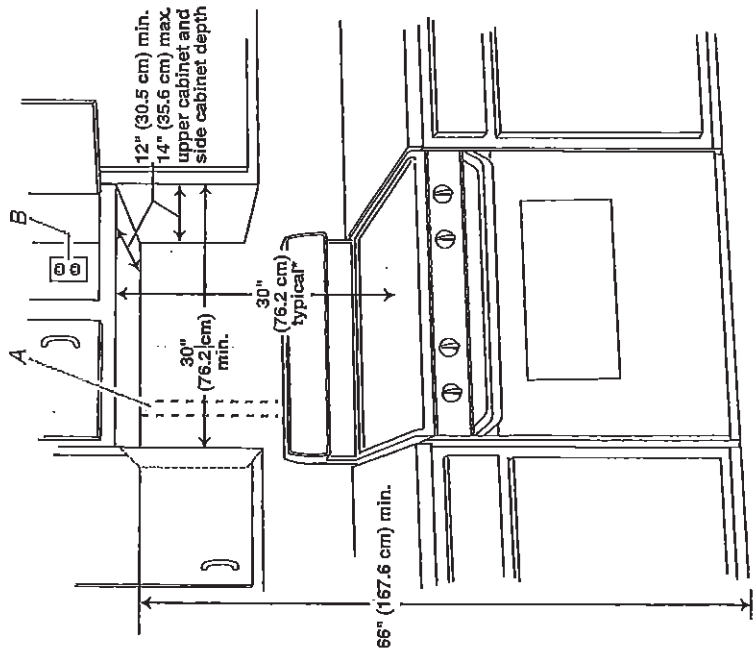
PRODUCT MODEL NUMBERS

WMH31017H.

LOCATION REQUIREMENTS

Installation Dimensions

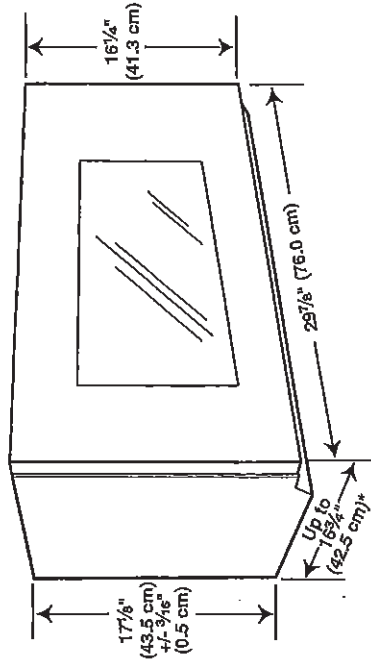
NOTE: The grounded 3 prong outlet must be inside the upper cabinet. See the "Electrical Requirements" section.



- A. 2" x 4" wall stud
- B. Grounded 3 prong outlet

*30" (76.2 cm) is typical for 66" (167.6 cm) installation height. Exact dimensions may vary depending on type of range/cooktop below.

PRODUCT DIMENSIONS



*Overall depth of product will vary slightly depending on door design.

PRODUCT DIMENSIONS

ELECTRICAL REQUIREMENTS

!WARNING	
Electrical Shock Hazard	
<p>Plug into a grounded 3 prong outlet.</p> <p>Do not remove ground prong.</p> <p>Do not use an adapter.</p> <p>Do not use an extension cord.</p> <p>Failure to follow these instructions can result in death, fire, or electrical shock.</p>	

Observe all governing codes and ordinances.

Required:

- A 120-volt, 60 Hz, AC-only, 15- or 20-amp electrical supply with a fuse or circuit breaker

Recommended:

- A time-delay fuse or time-delay circuit breaker
- A separate circuit serving only this microwave oven

JP

C2 COUNTRY LANE
 LOT 50-3
 20-1841 ELEV A
 THE ARLINGTON

30 of 18

VENTING DESIGN SPECIFICATIONS

This section is intended for architectural designer and builder/ contractor reference only.

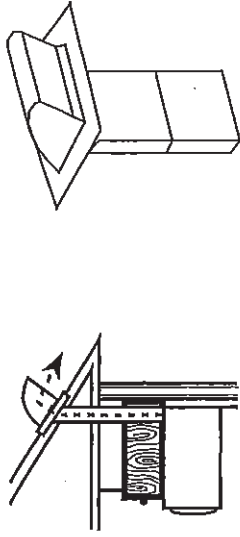
NOTES:

- Vent materials needed for installation are not provided with microwave hood combination.
- We do not recommend using a flexible metal vent.
- To avoid possible product damage, be sure to vent air outside, unless using recirculation installation. Do not vent exhaust air into concealed spaces, such as spaces within walls or ceilings, attics, crawl spaces, or garages.
- For optimal venting installation, we recommend:
 - Using roof or wall caps that have back draft dampers
 - Using a rigid metal vent
 - Using the most direct route by minimizing the length of the vent and number of elbows to provide efficient performance
 - Using uniformly sized vents
 - Using duct tape to seal all joints in the vent system
 - Using caulking compound to seal exterior wall or roof opening around cap

- Not installing 2 elbows together for optimal hood performance

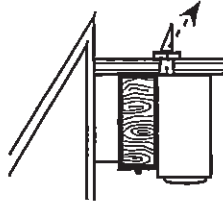
If venting through the wall, be sure that there is proper clearance within the wall for the damper to open fully.

If venting through the roof, and rectangular-to-round transition is used, be sure there are at least 3" (7.6 cm) of clearance between the top of the microwave oven and the transition piece. See "Rectangular-to-Round Transition" illustration.



Roof venting

Roof cap

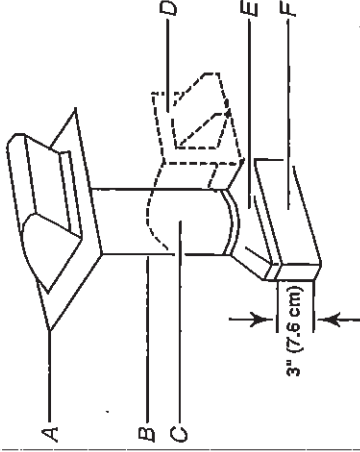


Wall venting

Wall cap

Rectangular-to-Round Transition

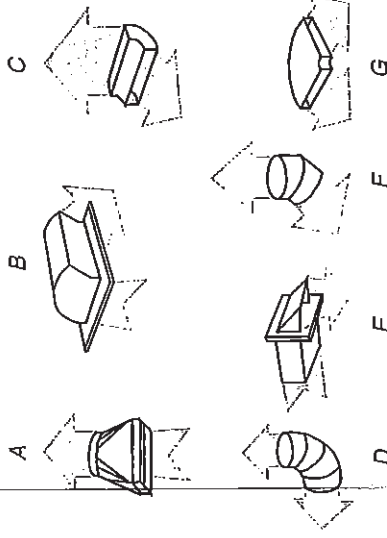
NOTE: The minimum 3" (7.6 cm) clearance must exist between the top of the microwave oven and the rectangular to round transition piece so that the damper can open freely and fully.



- A. Roof cap
- B. 6" (15.2 cm) min. diameter round vent
- C. Elbow (for wall venting only)
- D. Wall cap
- E. 3 1/4" x 10" to 6" (8.3 x 25.4 cm to 15.2 cm) rectangular to round transition piece
- F. Vent extension piece, at least 3" (7.6 cm) high

Recommended Standard Fittings

The following length equivalents are for use when figuring vent length. See the examples in "Recommended Vent Length."



- A. Rectangular-to-round transition piece: 3 1/4" x 10" to 6" = 5 ft (8.3 x 25.4 cm to 15.2 cm = 1.5 m)
- B. Roof cap: 3 1/4" x 10" = 24 ft (8.3 x 25.4 cm = 7.3 m)
- C. 90° elbow: 3 1/4" x 10" = 25 ft (8.3 x 25.4 cm = 7.6 m)
- D. 90° elbow: 6" = 10 ft (15.2 cm = 3 m)
- E. Wall cap: 3 1/4" x 10" = 40 ft (8.3 x 25.4 cm = 12.2 m)
- F. 45° elbow: 6" = 5 ft (15.2 cm = 1.5 m)
- G. 90° flat elbow: 3 1/4" x 10" = 10 ft (8.3 x 25.4 cm = 3 m)

20

C2 COUNTRY LANE
 LOT 50-3
 20-1841 ELEV A
 THE ARLINGTON

31 of 48

Recommended Vent Length

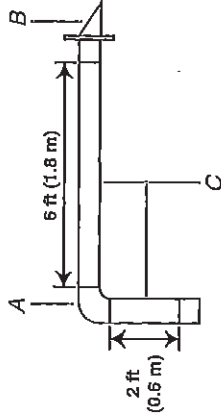
A 3 1/4" x 10" (8.3 x 25.4 cm) rectangular or 6" (15.2 cm) round vent should be used.

The total length of the vent system including straight vent, elbow(s), transitions, and wall or roof caps must not exceed the equivalent of 140 ft (42.7 m) for either type of vent. See the "Recommended Standard Fittings" section for equivalent lengths.

For best performance, use no more than three 90° elbows.

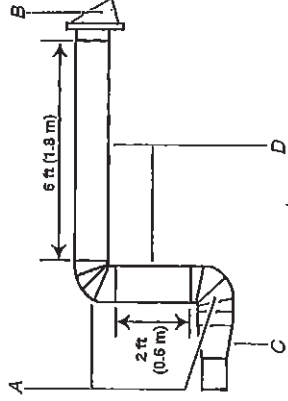
To calculate the length of the system you need, add the equivalent lengths of each vent piece used in the system. See the following examples:

3 1/4" x 10" (8.3 x 25.4 cm) vent system = 73 ft (22.2 m) total



- A. One 3 1/4" x 10" (8.3 x 25.4 cm) 90° elbow = 25 ft (7.6 m)
- B. 1 wall cap = 40 ft (12.2 m)
- C. 2 ft (0.6 m) + 6 ft (1.8 m) straight = 8 ft (2.4 m)

6" (15.2 cm) vent system = 73 ft (22.2 m) total



- A. Two 90° elbows = 20 ft (6.1 m)
- B. 1 wall cap = 40 ft (12.2 m)
- C. 1 rectangular-to-round transition piece = 5 ft (1.5 m)
- D. 2 ft (0.6 m) + 6 ft (1.8 m) straight = 8 ft (2.4 m)

If the existing vent is round, a rectangular-to-round transition piece must be used. In addition, a rectangular 3" (7.6 cm) extension vent between the damper assembly and rectangular-to-round transition piece must be installed to keep the damper from sticking.

EP

C2 COUNTRY LANE
 LOT 50-3
 20-1841 ELEV A
 THE ARLINGTON

32 of 48

Purchaser contacting
 Manny to upgrade
 to this fridge



Bottom Mount Refrigerator

PRODUCT MODEL NUMBERS

- WRF532SMB
- WRF535SMB
- WRF540CWB

Electrical: A 115-volt, 60-Hz, AC-only, 15- or 20-amp fused, grounded electrical supply is required. It is recommended that a separate circuit serving only your refrigerator be provided. Use an outlet that cannot be turned off by a switch. Do not use an extension cord.

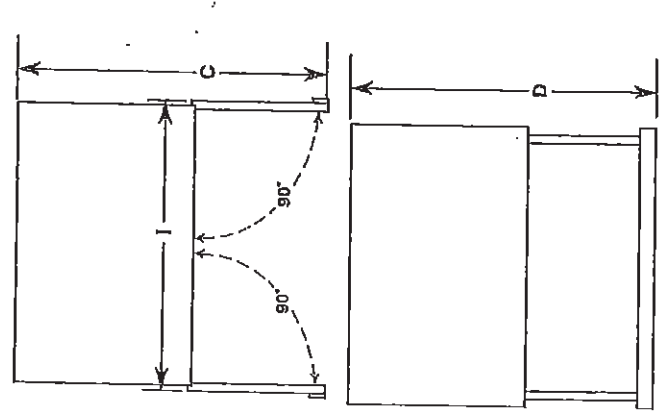
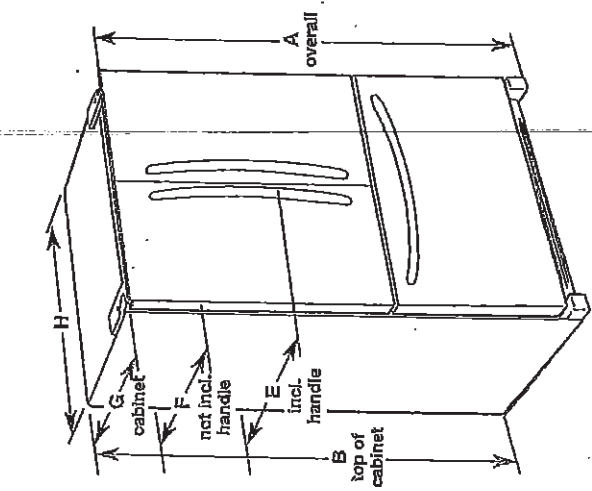
NOTE: Before performing any type of installation, cleaning, or removing a light bulb, turn the control (Thermostat, Refrigerator or Freezer Control depending on the model) to OFF and then disconnect the refrigerator from the electrical source. When you are finished, reconnect the refrigerator to the electrical source and reset the control (Thermostat, Refrigerator or Freezer Control depending on the model) to the desired setting. See "Using the Controls."

Water: A cold water supply with water pressure between 30 and 120 psi (207 and 827 kPa) is required to operate the ice maker and water dispenser. If you have questions about your water pressure, call a licensed, qualified plumber.

IMPORTANT: The pressure of the water coming out of a reverse osmosis system going to the water inlet valve of the refrigerator needs to be between 35 and 120 psi (241 and 827 kPa).

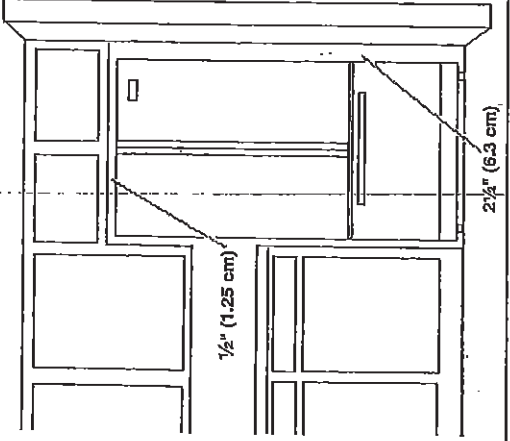
Reverse Osmosis Water Supply: If a reverse osmosis water filtration system is connected to your cold water supply, the water pressure to the reverse osmosis system needs to be a minimum of 40 to 60 psi (276 to 414 kPa).

PRODUCT DIMENSIONS



Model Number/Size	Height - Overall "A"	Height - Top of Cabinet "B"	Depth - Doors Open "C"	Depth - Drawer Open "D"	Depth - With Handles "E"	Depth - Without Handles "F"	Depth - Cabinet Only "G"	Width - Cabinet "H"	Width - Door Open 90° "I"
WRF535SMB 25.2 cu. ft.	70 1/4" (178.1 cm)	68 3/4" (174.8 cm)	48 1/4" (122.1 cm)	53 1/2" (135 cm)	35 1/2" (90 cm)	32 1/2" (83.7 cm)	29 1/4" (74 cm)	35 1/2" (90.5 cm)	49 1/2" (110.2 cm)
WRF535SMB 25.2 cu. ft.	70 1/4" (178.1 cm)	68 3/4" (174.8 cm)	48 1/4" (122.1 cm)	53 1/2" (135 cm)	35 1/2" (90 cm)	32 1/2" (83.7 cm)	29 1/4" (74 cm)	35 1/2" (90.5 cm)	49 1/2" (110.2 cm)
WRF532SMB 22.1 cu. ft.	70 1/2" (178.1 cm)	68 3/4" (174.8 cm)	47 1/4" (119.5 cm)	52 1/4" (132.4 cm)	34 1/2" (87.5 cm)	31 1/4" (79.1 cm)	28 1/2" (71.4 cm)	32 1/2" (82.9 cm)	42 1/2" (107.6 cm)
WRF540CWB 20 cu. ft.	70 1/4" (178.1 cm)	68 3/4" (174.8 cm)	48" (121.9 cm)	44 1/2" (113.0 cm)	29 1/2" (74.6 cm)	28" (71.1 cm)	24 1/4" (61.3 cm)	35 1/2" (90.5 cm)	39 1/2" (100.0 cm)

LOCATION REQUIREMENTS



To ensure proper ventilation for your refrigerator, allow for a 1/2" (1.25 cm) space on each side and at the top. Allow for 1" (2.54 cm) of space behind the refrigerator. If your refrigerator has an ice maker, make sure you leave some extra space at the back for the water line connections.

If you are installing your refrigerator next to a fixed wall, leave 2 1/4" (6.3 cm) minimum on the hinge side (some models require more) to allow for the door to swing open.

NOTE: This refrigerator is intended for use in a location where the temperature ranges from a minimum of 55°F (13°C) to a maximum of 110°F (43°C). The preferred room temperature range for optimum performance, which reduces electricity usage and provides superior cooling, is between 60°F (15°C) and 90°F (32°C). It is recommended that you do not install the refrigerator near a heat source, such as an oven or radiator.

Because Whirlpool Corporation policy includes a continuous commitment to improve our products, we reserve the right to change materials and specifications without notice.

Ref. W7106975946
 1071714

Handwritten initials or mark.

C2 COUNTRY LANE
LOT 50-3
20-1841 ELEV A
THE ARLINGTON

33 of 48

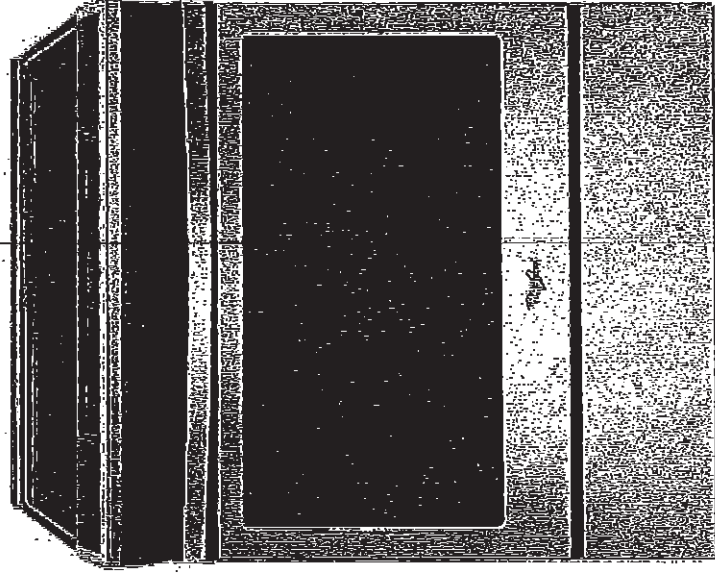
4.8 cu. ft. guided Electric Front Control Range
with the easy-wipe ceramic glass cooktop

YWEE510S0FS

Whirlpool

Purchaser contacting
Manny to upgrade
to this stove

Home > Kitchen Appliances > Cooking Appliances > Ranges > Slide-In Ranges > YWEE510S0FS



JP

C2 COUNTRY LANE
 LOT 50-3
 20-1841 ELEV A
 THE ARLINGTON

34 of 48

Cabinet Dimensions

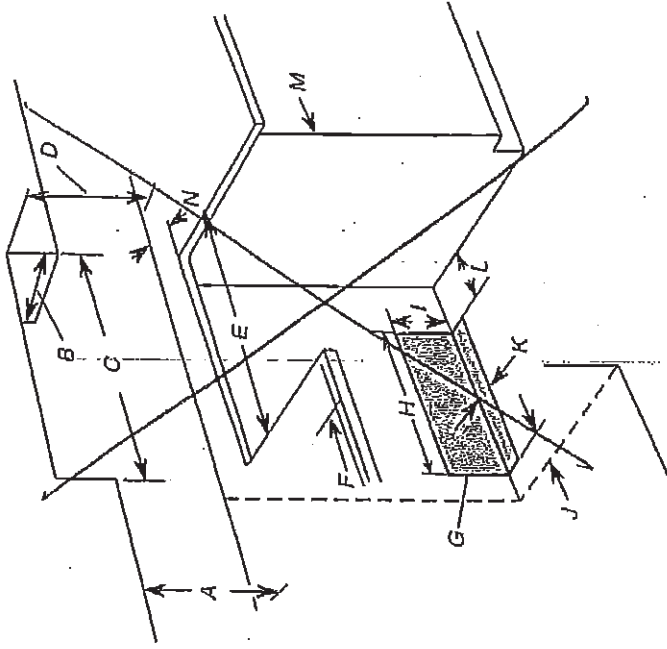
Cabinet opening dimensions shown are for 25" (64.0 cm) countertop depth, 24" (61.0 cm) base cabinet depth and 36" (91.4 cm) countertop height.

IMPORTANT: If installing a range hood or microwave hood combination above the range, follow the range hood or microwave hood combination installation instructions for dimensional clearances above the cooktop surface.

Range may be installed next to combustible walls with zero clearance.

NOTE: When installed in a slide-in cutout, the front of oven door may protrude beyond the base cabinet.

Slide-In Cutout

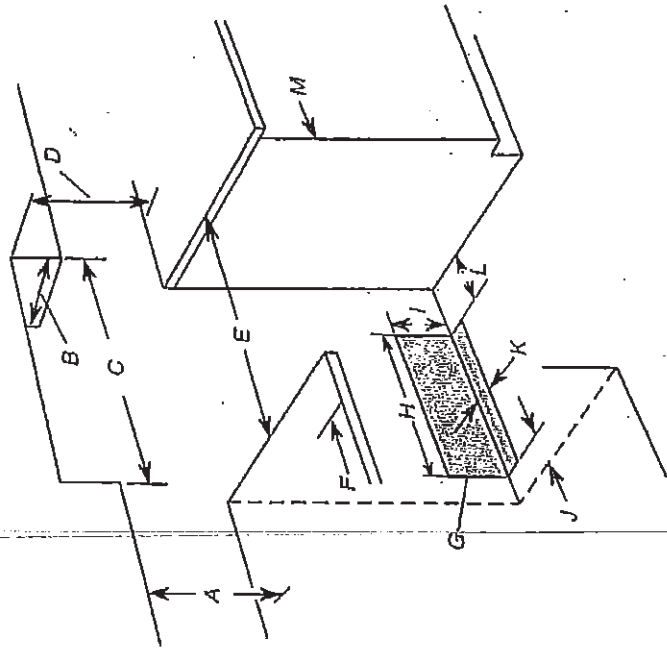


- A. 18" (45.7 cm) upper side cabinet to countertop
- B. 13" (33 cm) max. upper cabinet depth
- C. 30" (76.2 cm) min. opening width
- D. For minimum clearance to top of cooktop, see NOTE*.
- E. 30" (76.2 cm) min. opening width
- F. 3" (7.6 cm) min. clearance from both sides of range to side wall or other combustible material
- G. The shaded area is recommended for installation of rigid gas pipe and grounded outlet.
- H. 13 1/2" (33.3 cm)
- I. 7 1/8" (19.5 cm)
- J. 4 5/8" (12.2 cm)
- K. 3 1/8" (9.4 cm) plus measurement of N
- L. 12" (30.5 cm)
- M. Cabinet door or hinges should not extend into the cutout.
- N. Remaining counter depth should not exceed 2 1/4" (5.7 cm).

*NOTE: 24" (61.0 cm) minimum when bottom of wood or metal cabinet is shielded by not less than 1/4" (0.64 cm) flame retardant millboard covered with not less than No. 28 MSG sheet steel, 0.015" (0.4 mm) stainless steel, 0.024" (0.6 mm) aluminum or 0.020" (0.5 mm) copper.

30" (76.2 cm) minimum clearance between the top of the cooking platform and the bottom of an uncovered wood or metal cabinet.

Freestanding Cutout



- A. 18" (45.7 cm) upper side cabinet to countertop
- B. 13" (33 cm) max. upper cabinet depth
- C. 30" (76.2 cm) min. opening width
- D. For minimum clearance to top of cooktop, see NOTE*.
- E. 30" (76.2 cm) min. opening width
- F. 3" (7.6 cm) min. clearance from both sides of range to side wall or other combustible material
- G. The shaded area is recommended for installation of rigid gas pipe and grounded outlet.
- H. 13 1/2" (33.3 cm)
- I. 7 1/8" (19.5 cm)
- J. 4 5/8" (12.2 cm)
- K. 3 1/8" (9.4 cm)
- L. 12" (30.5 cm)
- M. Cabinet door or hinges should not extend into the cutout.

OP

C2 COUNTRY LANE
LOT 50-3
20-1841 ELEV A
THE ARLINGTON

35 of 48

WHIRLPOOL YWEE510S0FS

4.8 cu. ft. guided Electric Front Control Range with the easy-wipe ceramic glass cooktop

INSTALLATION REQUIREMENTS

Tools and Parts

Gather the required tools and parts before starting installation. Read and follow the instructions provided with any tools listed here.

Tools Needed

- Tape measure
- Phillips screwdriver
- Level
- Hand or electric drill
- Wrench or pliers
- Marker or pencil
- 1/8" (3.2 mm) drill bit (for wood floors)
- Flashlight

Parts Supplied

Check that all parts are included.

- #10 x 1 5/8" (4.1 cm) screws (for mounting anti-tip bracket) (2)
- Anti-tip bracket (inside oven cavity)
Anti-tip bracket must be securely mounted to the back wall or floor. Thickness of flooring may require longer screws to anchor bracket to subfloor. Longer screws are available from your local hardware store.

Location Requirements

IMPORTANT: Observe all governing codes and ordinances.

- It is the installer's responsibility to comply with installation clearances specified on the model/serial/rating plate. The model/serial/rating plate is located behind the oven door on the top right-hand side of the oven frame.
 - The range should be located for convenient use in the kitchen.
 - Recessed installations must provide complete enclosure of the sides and rear of the range.
 - To eliminate the risk of burns or fire by reaching over the heated surface units, cabinet storage space located above the surface units should be avoided, if cabinet storage is to be provided, the risk can be reduced by installing a range hood or microwave hood combination that projects horizontally a minimum of 5" (12.7 cm) beyond the bottom of the cabinets.
 - All openings in the wall or floor where range is to be installed must be sealed.
 - Cabinet opening dimensions that are shown must be used. Given dimensions are minimum clearances.
 - The anti-tip bracket must be installed. To install the anti-tip bracket shipped with the range, see "Install Anti-Tip Bracket" section.
 - Grounded electrical supply is required. See the appropriate "Electrical Requirements" section.
 - Contact a qualified floor covering installer to check that the floor covering can withstand at least 200°F (93°C).
 - Use an insulated pad or 1/4" (0.64 cm) plywood under range if installing range over carpeting.
- IMPORTANT:** To avoid damage to your cabinets, check with your builder or cabinet supplier to make sure that the materials used will not discolor, delaminate, or sustain other damage. This oven has been designed in accordance with the requirements of UL and CSA International and complies with the maximum allowable wood cabinet temperatures of 194°F (90°C).

JP

C2 COUNTRY LANE
 LOT 50-3
 20-1841 ELEV A
 THE ARLINGTON

36 of 48

WHIRLPOOL YWEE510S0FS

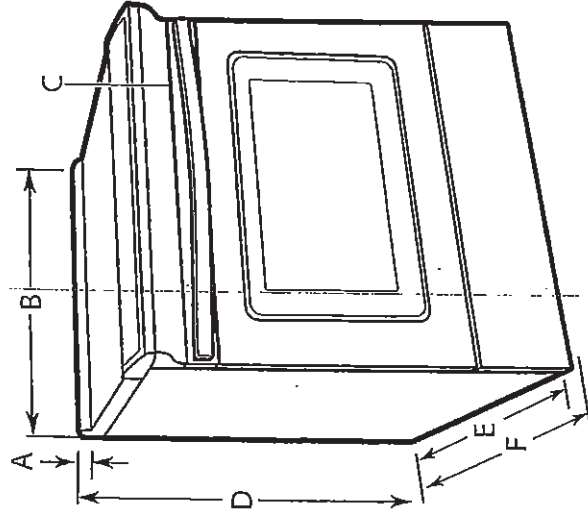
4.8 cu. ft. guided Electric Front Control Range with the Mobile Home - Additional Installation Requirements
 The installation of this range must conform to the Manufactured Home Construction and Safety Standard, Title 24 CFR, Part 3280 (formerly the Federal Standard for Mobile Home Construction and Safety, Title 24, HUD Part 280). When such standard is not applicable, use the Standard for Manufactured Home Installations, ANSI A225.1/NFPA 501A or with local codes. In Canada, the installation of this range must conform with the current standards CAN/CSA-A240-latest edition, or with local codes.

Mobile Home Installations Require:

- When this range is installed in a mobile home, it must be secured to the floor during transit. Any method of securing the range is adequate as long as it conforms to the standards listed above.

Product Dimensions

This manual covers several models. Your model may appear different from the models depicted. Dimensions given are maximum dimensions across all models.



- A. 19¹/₈" (3.0 cm) height from cooktop to top of vent
- B. 29⁷/₈" (75.9 cm) height from front of console to back of range
- C. Model/serial/rating plate (located behind the oven door on the top right-hand side of the oven frame)
- D. 36" (91.4 cm) height to top of cooktop edge with leveling legs screwed all the way in*
- E. 28³/₈" (72.1 cm) max. depth from front of console to back of range
- F. 29¹/₈" (73.7 cm) max. depth from handle to back of range

IMPORTANT: Range must be level after installation. Follow the instructions in the "Level Range" section. Using the cooktop as a reference for leveling the range is not recommended.

*Range can be raised approximately 1" (2.5 cm) by adjusting the leveling legs.

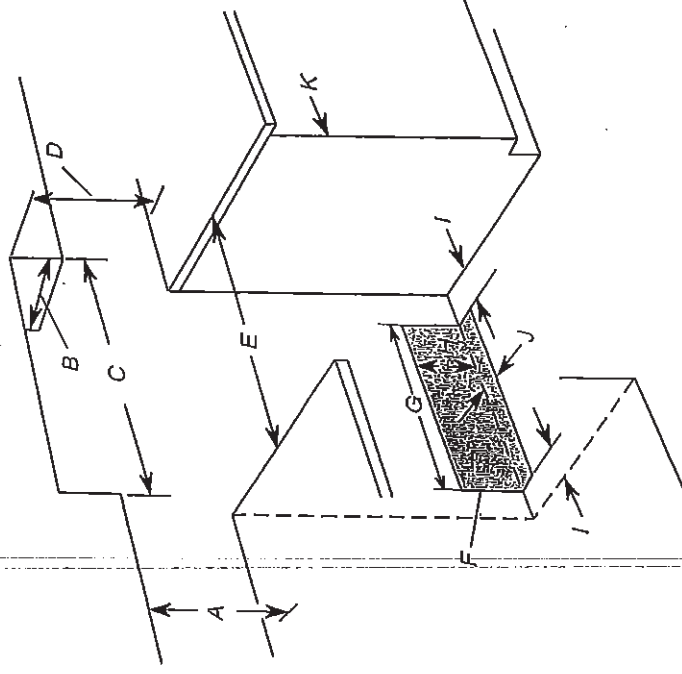
Cabinet Dimensions

Cabinet Dimensions

Cabinet opening dimensions shown are for 25" (64.0 cm) countertop depth, 24" (61.0 cm) base cabinet depth, and 36" (91.4 cm) countertop height.

IMPORTANT: If installing a range hood or microwave hood combination above the range, follow the range hood or microwave hood combination installation instructions for dimensional clearances above the cooktop surface.

Range may be installed next to combustible walls with zero clearance.



- A. 18" (45.7 cm) upper side cabinet to countertop
- B. 13" (33 cm) max. upper cabinet depth
- C. 30" (76.2 cm) min. opening width
- D. For minimum clearance to top of cooktop, see NOTE.
- E. 30" (76.2 cm) min. opening width
- F. The shaded area is recommended for installation of grounded outlet
- G. 13¹/₈" (33.3 cm)
- H. 7¹/₈" (19.5 cm)
- I. 4¹/₈" (12.2 cm)
- J. 3¹/₈" (9.4 cm)
- K. Cabinet door or hinges should not extend into the cutout.

*NOTE: 24" (61.0 cm) minimum when bottom of wood or metal cabinet is shielded by not less than 1/4" (0.64 cm) flame retardant millboard covered with not less than No. 28 MSG sheet steel, 0.015" (0.4 mm) stainless steel, 0.024" (0.6 mm) aluminum or 0.020" (0.5 mm) copper.

30" (76.2 cm) minimum clearance between the top of the cooking platform and the bottom of an uncovered wood or metal cabinet.

60

C2 COUNTRY LANE
LOT 50-3
20-1841 ELEV A
THE ARLINGTON


37 of 48

WHIRLPOOL YWEE510S0FS

4.8 cu. ft. guided Electric Front Control Range with the easy-wipe ceramic glass cooktop

Electrical Requirements - Canada Only

⚠ WARNING



Electrical Shock Hazard

Electrically ground range.
Failure to do so can result in death, fire, or electrical shock.

If codes permit and a separate ground wire is used, it is recommended that a qualified electrical installer determine that the ground path is adequate and wire gauge are in accordance with local codes.

Be sure that the electrical connection and wire size are adequate and in conformance with CSA Standard C22.1, Canadian Electrical Code, Part 1 - latest edition, and all local codes and ordinances.

A copy of the above code standards can be obtained from:

Canadian Standards Association
178 Rexdale Blvd.
Toronto, ON M9W 1R3 CANADA

- Check with a qualified electrical installer if you are not sure the range is properly grounded.

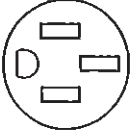
Range Rating*		Specified Rating of Power Supply Cord Kit and Circuit Protection	
120/240 Volts	120/208 Volts	Volts	Amps
8.8 - 16.5 KW	7.8 - 12.5 KW	40 or 50**	
16.6 - 22.5 KW	12.6 - 18.5 KW	50	

*The NEC calculated load is less than the total connected load listed on the model/serial/rating plate.

**If connecting to a 50-amp circuit, use a 50-amp rated cord with a kit. For 50-amp rated cord kits, use kits that specify use with a nominal 1/8" (3.5 cm) diameter connection opening.

- A circuit breaker is recommended.

- This range is equipped with a CSA International Certified Power Cord intended to be plugged into a standard 14-50R wall receptacle. Be sure the wall receptacle is within reach of range's final location.



- Do not use an extension cord.
- The tech sheet and wiring diagram are located on the back of the range in a plastic bag.

80

C2 COUNTRY LANE
LOT 50-3
20-1841 ELEV A
THE ARLINGTON

38 of 48

WHIRLPOOL YWEE510S0FS

4.8 cu. ft. guided Electric Front Control Range with the easy-wipe ceramic glass cooktop

INSTALLATION INSTRUCTIONS

Unpack Range

⚠ WARNING

Excessive Weight Hazard

Use two or more people to move and install range.
Failure to do so can result in back or other injury.

1. Remove shipping materials, tape, and film from the range. Keep cardboard bottom under range. Do not dispose of anything until the installation is complete.
2. Remove oven racks and parts package from oven and shipping materials.
3. To remove cardboard bottom, first take 4 cardboard corners from the carton. Stack 1 cardboard corner on top of another. Repeat with the other 2 corners. Place them lengthwise on the floor behind the range to support the range when it is laid on its back.
4. Using 2 or more people, firmly grasp the range and gently lay it on its back on the cardboard corners.
5. Remove cardboard bottom.

The leveling legs can be adjusted while the range is on its back. See the "Adjust Leveling Legs" section.

NOTE: To place range back up into a standing position, put a sheet of cardboard or hardboard on the floor in front of range to protect the flooring. Using 2 or more people, stand range back up onto the cardboard or hardboard.

Install Anti-Tip Bracket

⚠ WARNING



Tip Over Hazard

A child or adult can tip the range and be killed.

Install anti-tip bracket to floor or wall per installation instructions.

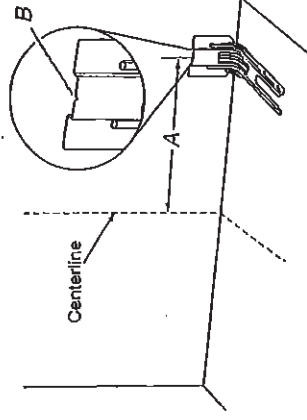
Slide range back so rear range foot is engaged in the slot of the anti-tip bracket.

Re-engage anti-tip bracket if range is moved.

Do not operate range without anti-tip bracket installed and engaged.

Failure to follow these instructions can result in death or serious burns to children and adults.

1. Remove the anti-tip bracket from the inside of the oven.
2. Determine which mounting method to use: floor or wall. If you have a stone or masonry floor, you can use the wall mounting method. If you are installing the range in a mobile home, you must secure the range to the floor. This anti-tip bracket and screws can be used with wood or metal studs.
3. Determine and mark centerline of the cutout space. The mounting bracket can be installed on either the left-hand or right-hand side of the cutout. Position mounting bracket against the wall in the cutout so that the V-notch of the bracket is 12½" (31.8 cm) from centerline as shown.



A. 12½" (31.8 cm)
B. Bracket V-notch

38

**C2 COUNTRY LANE
LOT 50-3
20-1841 ELEV A
THE ARLINGTON**

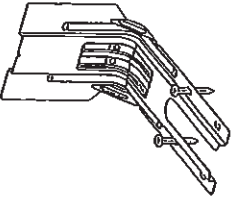
39 of 48

WHIRLPOOL YWEE510S0FS

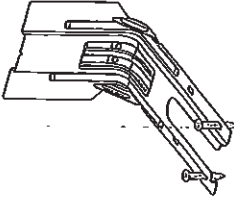
4-8 cu. ft. guided Electric Front Control Range with the easy-wipe ceramic glass cooktop

- Drill two 1/8" (3 mm) holes that correspond to the bracket holes of the determined mounting method. See the following illustrations.

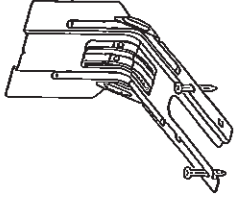
Floor Mounting



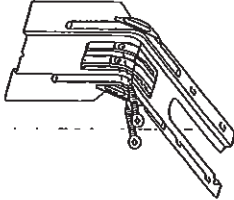
Rear position
Wall Mounting



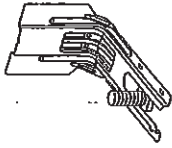
Front position



Diagonal (2 options)



- Using the two #10 x 1 1/2" (4.1 cm) Phillips-head screws provided, mount anti-tip bracket to the wall or floor.
- Move range close enough to opening to allow for final electrical connections. Remove shipping base, cardboard, or hardboard from under range.
- Move range into its final location, making sure rear leveling leg slides into anti-tip bracket.



- Move range forward onto shipping base, cardboard, or hardboard to continue installing the range, using the following installation instructions.

Adjust Leveling Legs

- If range height adjustment is necessary, use a wrench or pliers to loosen the 4 leveling legs. This may be done with the range on its back or with the range supported on 2 legs after the range has been placed back to a standing position.

! WARNING	
Tip Over Hazard	
<p>A child or adult can tip the range and be killed.</p> <p>Install anti-tip bracket to floor or wall per installation instructions.</p> <p>Slide range back so rear range foot is engaged in the slot of the anti-tip bracket.</p> <p>Re-engage anti-tip bracket if range is moved.</p> <p>Do not operate range without anti-tip bracket installed and engaged.</p> <p>Failure to follow these instructions can result in death or serious burns to children and adults.</p>	

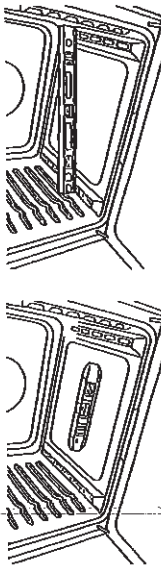
- Measure the distance from the top of the counter to the floor.
 - Measure the distance from the top of the cooktop to the bottom of the leveling legs. This distance should be the same. If it is not, adjust the leveling legs to the correct height. The leveling legs can be loosened to add up to a maximum of 1" (2.5 cm). A minimum of 3/16" (5 mm) is needed to engage the anti-tip bracket.
- NOTE:** If height adjustment is made when range is standing, tilt the range back to adjust the front legs, and then tilt forward to adjust the rear legs.

- When the range is at the correct height, check that there is adequate clearance under the range for the anti-tip bracket. Before sliding range into its final location, check that the anti-tip bracket will slide under the range and onto the rear leveling leg prior to anti-tip bracket installation.

NOTE: If a Trim Kit will be used, the top of the cooktop should be higher than the counter. See the Installation Instructions included with the Trim Kit for the correct height.

Level Range

- Place level on the oven bottom, as indicated in one of the 2 figures below, depending on the size of the level. Check with the level side to side and front to back.




- If range is not level, use a wrench or pliers to adjust leveling legs up or down until the range is level.


EP

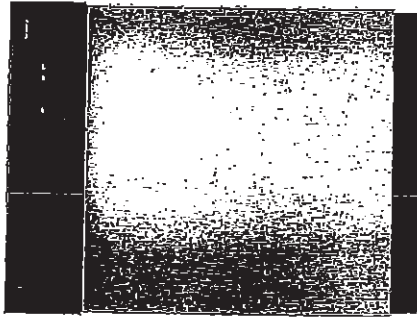
C2 COUNTRY LANE
 LOT 50-3
 20-1841 ELEV A
 THE ARLINGTON

4 of 48







Whirlpool® Dishwasher with ENERGY STAR® Qualification






WDF310PAAS
Black-on-Stainless

OTHER AVAILABLE COLORS

-  Black
Model: WDF310PAAB
-  Biscuit-on-Biscuit
Model: WDF310PAAT
-  White
Model: WDF310PAAW
-  Universal Silver
Model: WDF310PAAD



DIMENSIONS		KEY FEATURES! ENERGY STAR® Qualified No One Has Fewer Repairs 17 Years In A Row Resource - Efficient Wash System CEE Tier 1 qualified Tall Tub Design White Plastic Interior Quiet Partner(TM) Sound Package Auto Soil Sensor Electronic Controls 3 Automatic Cycles 1-Hour Wash Cycle Heavy Wash Cycle Normal Cycle 4 Options High Temperature Wash System Heated Dry Option 4 Hour Delay Wash Option 4-Tier SheerClean Direct Feed Wash System Control Lock Vinyl Racks In-Rack Silverware Basket
Maximum Height	34 1/2 Inches	
Minimum Height	33 1/2 Inches	
Height	34 1/2 Inches	
Depth	24 1/2 Inches	
Width	23 7/8 Inches	
<small>Dimensions shown are for planning purposes only. For complete information, see installation instructions packaged with product.</small>		
ELECTRICAL		
15 Amps Amps, 60 Hz, 120 V, 15,		
<small>Before purchasing this appliance, read important information about its estimated annual energy consumption or energy efficiency rating that is available from your dealer.</small>		

SP

C2 COUNTRY LANE
 LOT 50-3
 20-1841 ELEV A
 THE ARLINGTON

41 of 48



Undercounter Dishwasher

PRODUCT MODEL NUMBERS

- | | | |
|------------|-------------|------------|
| WDFI10PAB | WDFE30DEL A | WDFE30PSY |
| WDFI11PAB | WDFE320PAD | WDFE40PAD |
| WDFI20PAF | WDFE70PAY | WDFE730PAY |
| WDFI21PAF | WDFE820PAD | WDTI710PAY |
| WDFE30PAA | WDFE30PLY | WDTI720PAD |
| WDFE310PCA | | WDTI770PAY |

Electrical Requirements: 120-volt, 60-Hz, AC only, 15- or 20-amp, fused electrical supply. Copper wire only. A time delay fuse or circuit breaker and separate circuit is recommended.

If direct wiring dishwasher: Use flexible, armored, or nonmetallic, sheathed copper wire with grounding wire that meets the wiring requirements for your home and local codes and ordinances. Use a UL listed or CSA approved conduit connector.

If connecting dishwasher with a power supply cord: Use Power Supply Cord Kit (Part No. 4317824) marked for use with dishwashers. Follow the kit instructions for installing the power supply cord.

Power supply cord must plug into a grounded 3 prong, outlet, located in the cabinet next to the dishwasher opening. Outlet must meet all local codes and ordinances.

Water Supply Requirements: A hot water line with 20 to 120 psi (138 to 862 kPa) water pressure. Water temperature must be 120°F (49°C) water at dishwasher. Use 3/8" O.D. copper tubing with compression fitting or flexible braided copper supply line (1/2" minimum plastic tubing is not recommended). Use a 90° elbow with 1/4"N.P.T. external pipe threads on one end. Do not solder within 6" (15.2 cm) from water inlet valve.

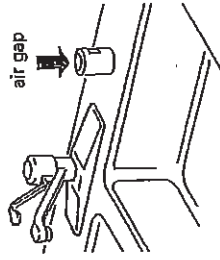
Drain Requirements: A new drain hose is supplied with your dishwasher. If this is not long enough, use a new drain hose with a maximum length of 12' (3.7 m) (Part No. 3385556) that meets all current AHAM/JAPMO test standards, is resistant to heat and detergent, and fits the 1" (2.5 cm) drain connector of the dishwasher.

Make sure to connect the drain hose to waste tee or disposer inlet above drain trap in house plumbing and 20" (50.8 cm) minimum above the floor. It is recommended that the drain hose either be looped up and securely fastened to the underside of the counter or be connected to an air gap.

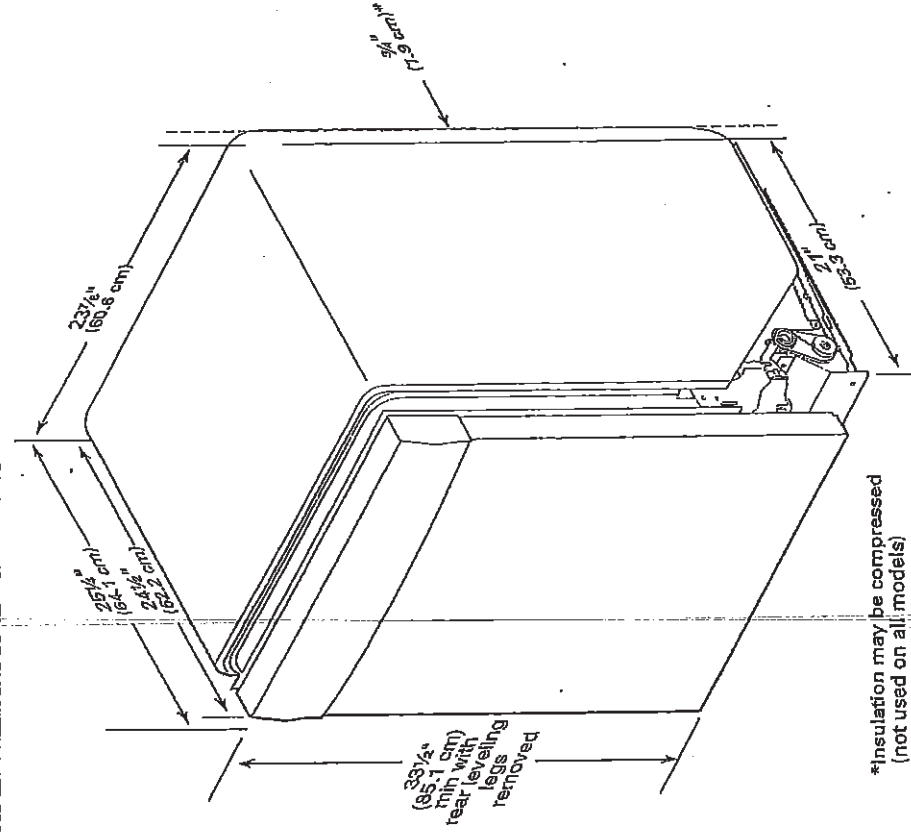
Make sure to use an air gap if the drain hose is connected to house plumbing lower than 20" (50.8 cm) above subfloor or floor.

Use 1/2" (1.3 cm) minimum I.D. drain line fittings.

If required, the air gap should be installed in accordance with the air gap installation instructions. When connecting the air gap, a rubber hose (not provided) will be needed to connect to the waste tee or disposer inlet.



PRODUCT DIMENSIONS



Because Whirlpool Corporation policy includes a continuous commitment to improve our products, we reserve the right to change materials and specifications without notice.

Dimensions are for planning purposes only. For complete details, see Installation instructions packed with product. Specifications subject to change without notice.

AD

C2 COUNTRY LANE
LOT 50-3
20-1841 ELEV A
THE ARLINGTON

42 of 48

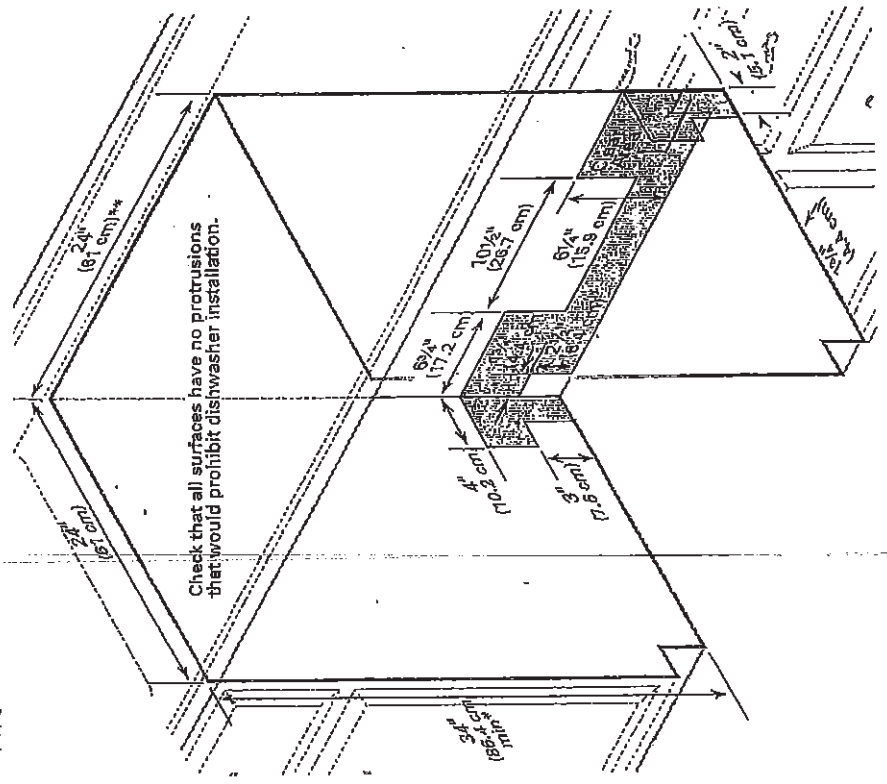
CABINET CUTOUT DIMENSIONS

WIDE 320 PAN

NOTE: Shaded areas of cabinet walls show where utility connections may be installed.

*Measure from the lowest point on the underside of the countertop. May be reduced to 33½" (85.1 cm) by removing the rear leveling legs from dishwasher.

**Minimum, measured from narrowest point of opening.



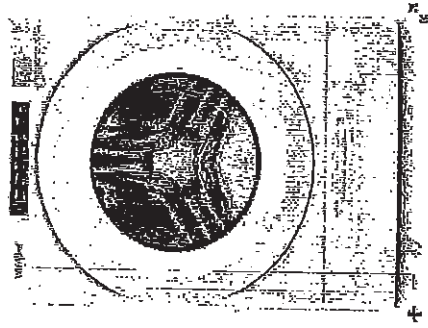
AD

43 of 48

C2 COUNTRY LANE
LOT 50-3
20-1841 ELEV A
THE ARLINGTON

WHIRLPOOL WASHER Model #: WFW5620HW

Whirlpool Brand Canada English | Washer and Dryer | Whirlpool Front Load Washers | WFW5620HW



5.2 cu. ft. I.E.C. Closer-Depth
Front Load Washer with
Load & Go™ Dispenser



Whirlpool

5.2 cu. ft. I.E.C. Closer-Depth Front Load Washer with Load & Go™
Dispenser

Model #: WFW5620HW

Dimensions

Depth	80.17 cm, 31-9/16 in
Depth With Door Open 90 Degree	143.51 cm, 56-1/2 in
Minimum Height	98.11 cm, 38-5/8 in
Width	68.58 cm, 27.0 in

Appearance

LCD Touch Screen	No
Window	Yes

Details

Drum Material	Stainless Steel
---------------	-----------------

Cycles and Options

Number of Wash Cycles	37
-----------------------	----

Electrical

Hz	60
Power Cord Included	Yes

20

C2 COUNTRY LANE
 LOT 50-3
 20-1841 ELEV A
 THE ARLINGTON

44 of 48

WHIRLPOOL WASHER Model #: WFW5620HW

LOCATION REQUIREMENTS

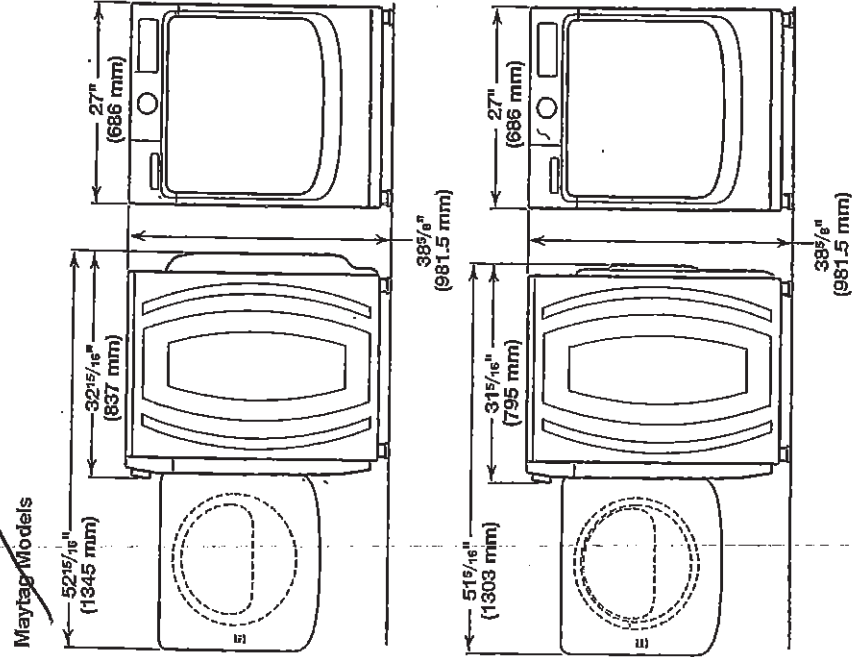
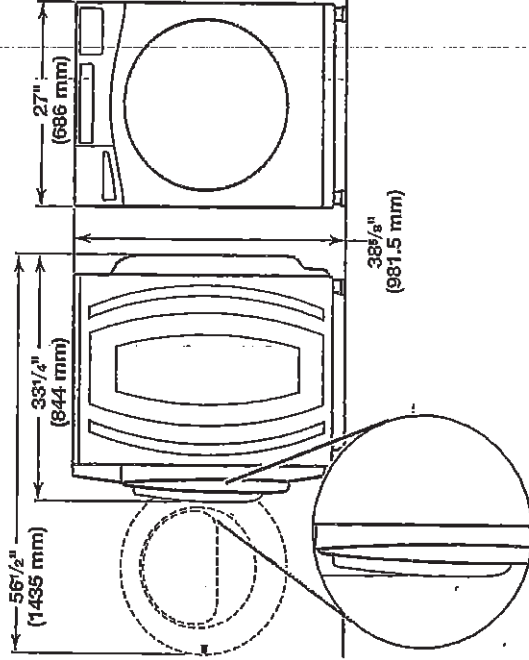
Proper installation is your responsibility.

You will need:

- A water heater set to 120°F (49°C).
- A grounded electrical outlet located within 6 ft (1.8 m) of power cord on back of washer.
- Hot and cold water faucets located within 4 ft (1.2 m) of hot and cold water fill valves on washer, and water pressure of 20–100 psi (137.9–689.6 kPa).
- A level floor with maximum slope of 1" (25 mm) under entire washer. Installing on carpet or surfaces with foam backing is not recommended.
- Floor must support washer's total weight (with water and load) of 315 lbs (143 kgs).

IMPORTANT: Do not install, store, or operate washer where it will be exposed to weather or in temperatures below 32°F (0°C). Water remaining in washer after use may cause damage in low temperatures. See "Washer Care" in your Use and Care Guide for winterizing information.

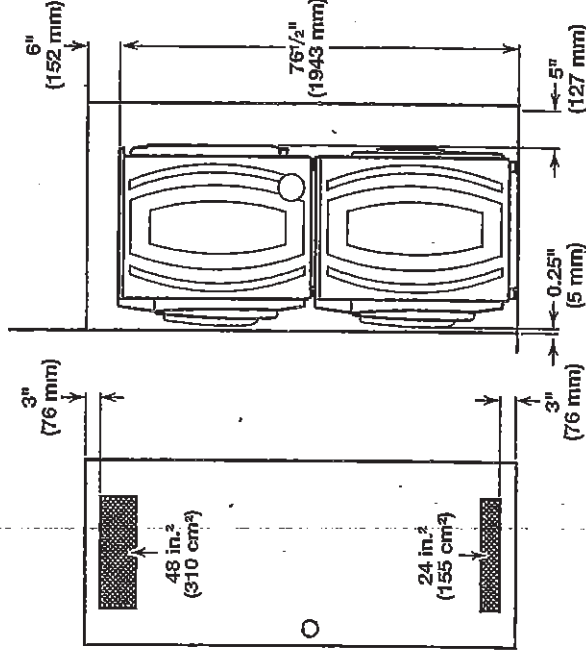
Whirlpool Models*



All dimensions show minimum spacing allowed. For each arrangement, consider allowing more space for ease of installation and servicing, and spacing for companion appliances and clearances for walls, doors, and floor moldings.

Space must be large enough to allow door to fully open. Add spacing of 1" (25 mm) on all sides of washer to reduce noise transfer. If a closet door or louvered door is installed, top and bottom air openings in door are required.

Recessed area or closet installation (stacked washer and dryer):



*For additional details (or information) specific to your model, refer to the 'Dimensions' listed for your model at www.whirlpool.com.

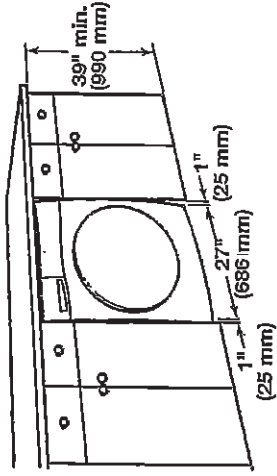
AD

C2 COUNTRY LANE
 LOT 50-3
 20-1841 ELEV A
 THE ARLINGTON

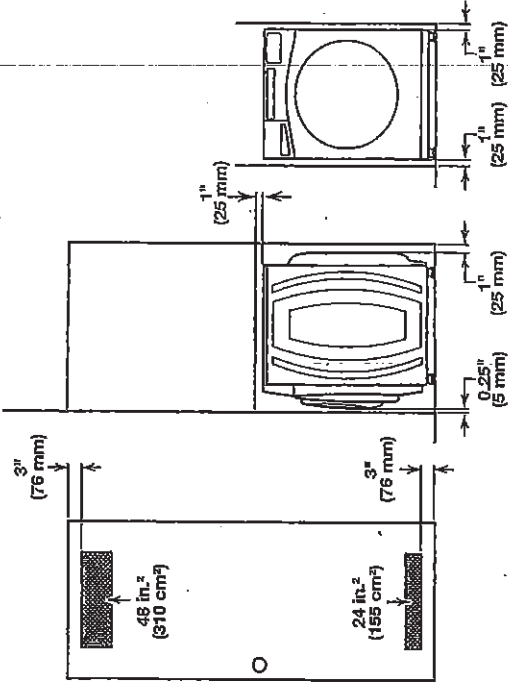
45 of 48

WHIRLPOOL WASHER Model #: WFW5620HW

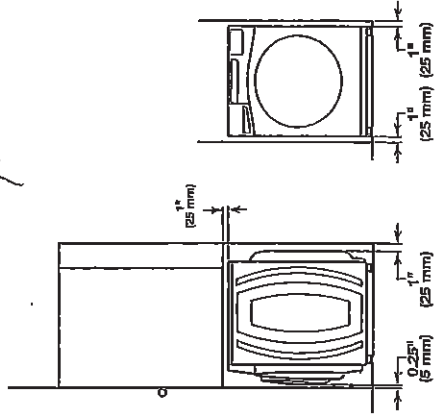
Custom under-counter installation: X



Recessed area or closet installation: X



Custom cabinet installation: X

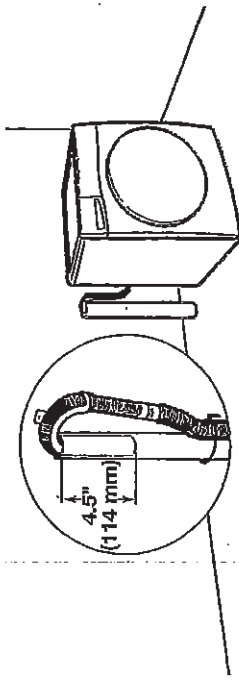


DRAIN SYSTEM

The drain system can be installed using a floor drain, wall standpipe, floor standpipe, or laundry tub. Select the method you need.

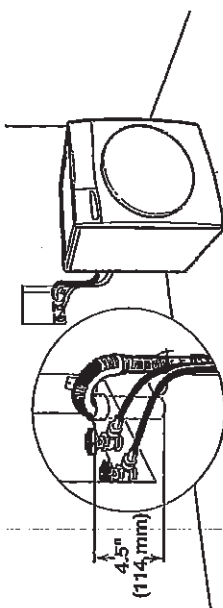
IMPORTANT: To avoid siphoning, only 4.5" (114 mm) of drain hose should be inside standpipe. Always secure drain hose with cable tie.

Floor standpipe drain system



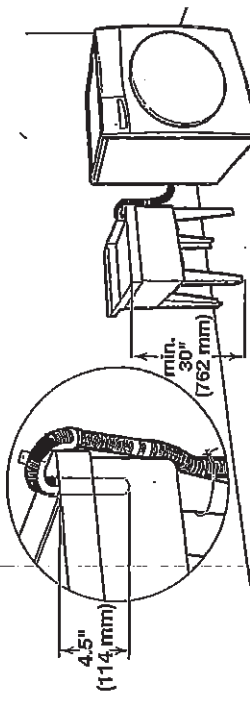
Minimum diameter for a standpipe drain: 2" (51 mm). Minimum carry-away capacity: 17 gal. (64 L) per minute. A 1/4" (6 mm) diameter to 1" (25 mm) diameter Standpipe Adapter Kit is available (Part Number 3363920). Top of standpipe must be at least 30" (762 mm) high; install no higher than 96" (2.44 m) from bottom of washer. If you have an overhead sewer and need to pump higher than 96" (2.44 m), a sump pump and associated hardware are needed. See "Alternate parts."

Wall standpipe drain system



See requirements for floor standpipe drain system.

Laundry tub drain system



Minimum capacity: 20 gal. (76 L). Top of laundry tub must be at least 30" (762 mm) above floor; install no higher than 96" (2.44 m) from bottom of washer.

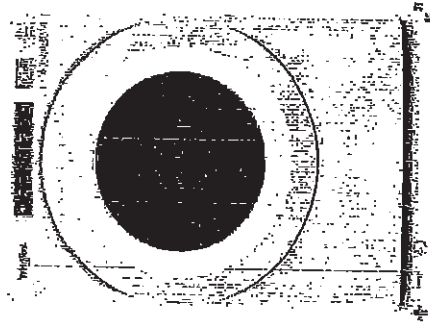
20

C2 COUNTRY LANE
 LOT 50-3
 20-1841 ELEV A
 THE ARLINGTON

46 of 118

WHIRLPOOL DRYER Model #: YWED5620HW

Whirlpool Brand Canada English | Washers and Dryers | Dryers | Electric Dryers | YWED5620HW



Define Your Style™

7.4 cu. ft. Front Load Electric Dryer with Intuitive Touch Controls



Whirlpool 7.4 cu. ft. Front Load Electric Dryer with Intuitive Touch Controls

Model #: YWED5620HW

Dimensions	
Depth	78.74 cm, 31.0 in
Depth With Door Open 90 Degree	138.43 cm, 54-1/2 in
Height	98.42 cm, 38-3/4 in
Width	68.58 cm, 27.0 in
Configuration and Dryerview	
Fuel Type	Electric
Cycles and Options	
Cycle Time Remaining	Yes
Lint Filter Indicator	No
Number of Dryer Cycles	36
Number of Dryness Levels	3
Ventilation System	
Long Vent	No
Maximum Vent Length	64
Venting Direction	Left, Right, Bottom, Rear
Electrical	
Hz	60
Power Cord Included	Yes

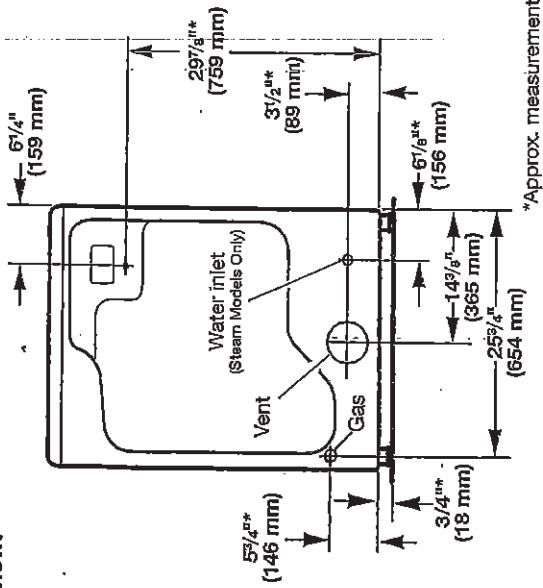
20

C2 COUNTRY LANE
 LOT 50-3
 20-1841 ELEV A
 THE ARLINGTON

47 of 48

WHIRLPOOL DRYER Model #: YWED5620HW

Back view:



NOTE: Most installations require a minimum of 5" (127 mm) clearance behind dryer for exhaust vent with elbow. See "Venting Requirements."

Installation Clearances

For each arrangement, consider allowing more space for ease of installation and servicing, spacing for companion appliances, and clearances for walls, doors, and floor moldings. Space must be large enough to allow door to fully open. Add spacing on all sides of dryer to reduce noise transfer. If a closet door or louvered door is installed, top and bottom air openings in door are required.

Check code requirements. Some codes limit, or do not permit, installation of the dryer in garages, closets, mobile homes, or sleeping quarters. Contact your local building inspector.

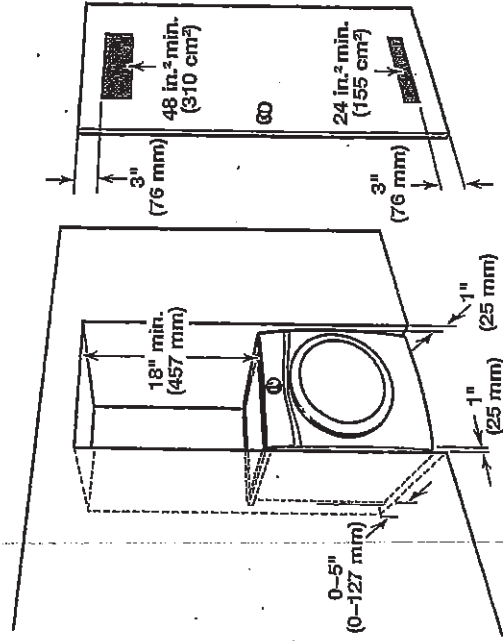
NOTE: No other fuel-burning appliance can be installed in the same closet as a dryer.

Installation spacing for recessed area or closet installation

All dimensions show recommended and minimum spacing allowed.

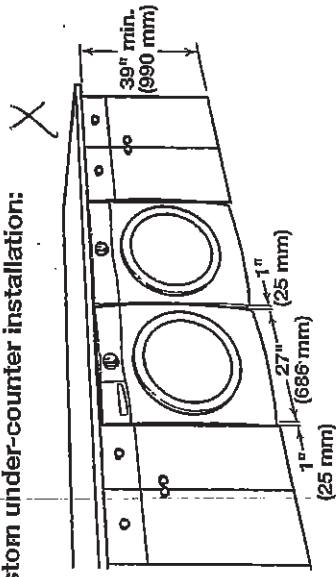
- Additional spacing should be considered for ease of installation and servicing.
- Additional clearances might be required for wall, door, floor moldings, dryer venting, and gas line.
- Additional spacing should be considered on all sides of the dryer to reduce noise transfer.
- For closet installation with a door, minimum ventilation openings in the top and bottom of the door are required. Louvered doors with equivalent ventilation openings are acceptable.
- Companion appliance spacing should also be considered.

Recommended installation clearances (dryer only):



0" (0 mm) rear spacing is allowed for straight back venting only. For steam models only, inlet hose must not be kinked.

Custom under-counter installation:



Mobile home - Additional installation requirements:

This dryer is suitable for mobile home installations. The installation must conform to the Manufactured Home Construction and Safety Standard, Title 24 CFR, Part 3280 (formerly the Federal Standard for Mobile home construction and Safety, Title 24, HUD Part 280) or Standard CAN/CSA-Z240 MH.

Mobile home installations require:

- Metal exhaust system hardware, available for purchase from your dealer. For further information, see "Assistance or Service" in your Use and Care Guide.
- Special provisions must be made in mobile homes to introduce outside air into dryer. Openings (such as a nearby window) should be at least twice as large as dryer exhaust opening.

For mobile home installation of gas dryers:

- Mobile Home Installation Hold-down Kit Part Number 346764 is available to order. For further information, see "Assistance or Service" in your Use and Care Guide.

20

C2 COUNTRY LANE
LOT 50-3
20-1841 ELEV A
THE ARLINGTON

18 of 18

WHIRLPOOL DRYER Model #: YWED5620HW

Additional parts may be required, depending on your installation. Check local codes. Check existing electrical supply and venting. Read "Electrical Requirements" and "Venting Requirements" before purchasing parts.

If using a power supply cord:

Use a UL Listed power supply cord kit marked for use with clothes dryers. The kit should contain:


- A UL Listed 30 amp power supply cord, rated 120/240 volt minimum. The cord should be type SRD or SRDT and be at least 4 ft. (1.22 m) long. The wires that connect to the dryer must end in ring terminals or spade terminals with upturned ends.
- A UL Listed strain relief.

Optional Equipment (not supplied with dryer):

Refer to your Use and Care Guide for information about accessories available for your dryer.

LOCATION REQUIREMENTS

Check code requirements. Some codes limit, or do not permit, installing dryer in garages, closets, mobile homes, or sleeping quarters. Contact your local building inspector.

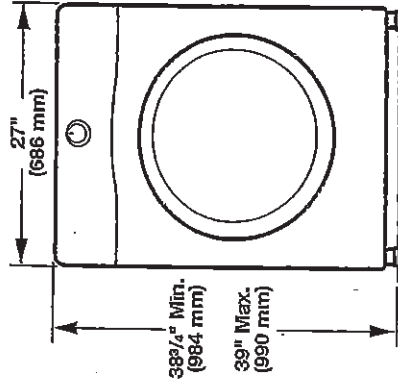
⚠ WARNING

Explosion Hazard
Keep flammable materials and vapors, such as gasoline, away from dryer.
Place dryer at least 18 inches (460 mm) above the floor for a garage installation.
Failure to do so can result in death, explosion, or fire.

You will need:

- A location allowing for proper exhaust installation. See "Venting Requirements."
 - A separate 15 or 20 amp circuit for a gas dryer or 30 amp circuit for an electric dryer.
 - If using power supply cord, a grounded electrical outlet located within 2 ft. (610 mm) of either side of dryer. See "Electrical Requirements."
 - Floor must support dryer weight of 200 lbs. (90.7 kg). Also consider weight of companion appliance.
 - Cold water faucets located within 4 ft. (1.2 m) of the water fill valves, and water pressure of 20-120 psi (138-827 kPa). You may use your washer's water supply by purchasing the necessary parts noted in "Parts needed."
 - Level floor with maximum slope of 1" (25 mm) under entire dryer. If slope is greater than 1" (25 mm), install Extended Dryer Feet Kit, Part Number 279810. If not level, clothes may not tumble properly and automatic sensor cycles may not operate correctly.
 - For garage installation, place dryer at least 18" (460 mm) above floor. If using a pedestal, you will need 18" (460 mm) to bottom of dryer.
 - The dryer must not be installed or stored in an area where it will be exposed to water and/or weather.
- IMPORTANT:** Do not operate, install, or store dryer where it will be exposed to water, weather, or at temperatures below 40°F (4°C). Lower temperatures may cause dryer not to shut off at end of automatic sensor cycles, resulting in longer drying times.

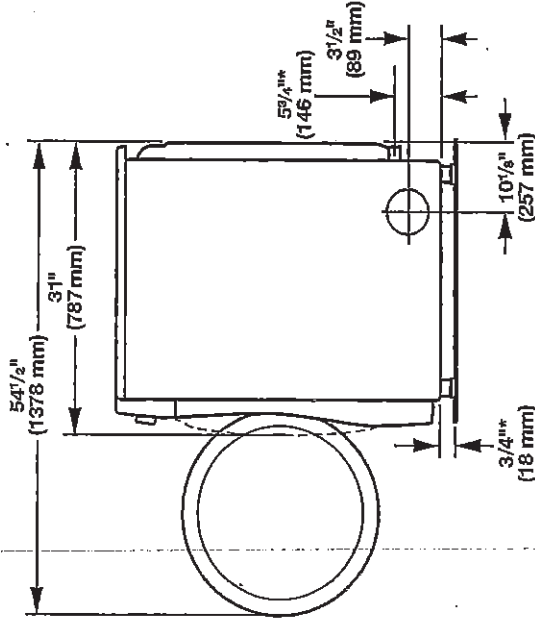
DRYER DIMENSIONS

Front view:



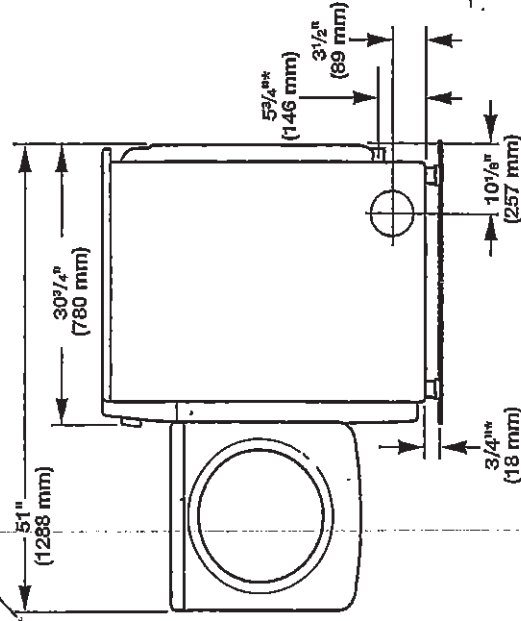
Side view:

Whirlpool Models



*Approx. measurement

Maytag Models



*Approx. measurement

20