



SITE Sales Selection Sheet

FRENDEL KITCHENS WALLACETON

38 of 42

PURCHASER: PRADEEP, KUMAR VALLURU

REVISED

TEL:

LOT / UNIT 285B-11	PHASE 2	MODEL 20-1606 B The Grassfield
-----------------------	------------	-----------------------------------

It is herein understood and agreed between the undersigned parties hereto that the following changes shall be made to the above mentioned Agreement of Purchase and Sale in accordance with the agreement and except for such changes noted below, all other terms and conditions in the Agreement of Purchase and Sale shall remain as stated herein: It is further understood that and agreed that all changes and additions shall be installed as per builder's specifications, location and available selections. The Purchaser hereby agrees to purchase the following extras:

CABINERY

*1 189,211	- CABINERY - 31H-WALL CABINET FOR BUILT-IN MICROWAVE/SMALL APPLIANCE WITH TRIM KIT (SUPPLY SPECS) - UPGRADE 1- SEE SPECS PAGES 40-42 (THIS MICROWAVE DOES NOT REQUIRE TRIM KIT)	Qty: 1
50,742	Note: SKETCH # 4 PAGE 39 FOR LOCATION	

ELECTRICAL

*2 189,44C	- ELECTRICAL - EXTRA WALL INTERIOR OUTLET (120V/15A) ON A SEPARATE CIRCUIT (ON ARCFULT) FOR ULIT-IN UPPER CABINET MICROWAVE SEE SKETCH # 4 PAGE 39 AND SPECS PAGES 40-42	Qty: 1
50,743	Note:	

Sub Total
HST
Total

1. This Sales Selection Sheet when properly executed forms part of our Agreement of Purchase and Sale.
2. All extras and upgrades listed above are subject to Construction Progress and Architectural and Municipal requirements.
3. In the event the Vendor is unable to incorporate the work approved above in the construction of the house for any reason whatsoever, the Vendor will not be liable to the Purchaser in any way. The monies paid for any changes or optional extras not proceeded with shall be returned to the Purchaser, without interest. The cost of options or extras is non-refundable in all other circumstances. If for any reason whatsoever the Agreement of Purchase and Sale is not completed, the total cost of work approved above will be retained by the Vendor.
4. The Vendor reserves the right to substitute above materials and equipment with that of equal or better quality.
5. Purchaser acknowledges that items may not be exactly as shown. Variations from the Vendor's samples may occur in finished materials due to normal production processes. Vendor is not responsible for shade difference which may occur from different dye lots or wood grains. Variations from the Vendor's samples will occur with natural materials such as wood, marble, granite, hardwood and brick.
6. The Vendor reserves the right to select Grout & Thresholds that best suits the Tile selected.
7. Selections will not be processed unless signed by Heathwood Homes Head Office.
8. The selections made on this schedule are final and cannot be changed once submitted.
9. The Purchaser has checked and acknowledges the accuracy of this schedule.

Payment Summary	Amount
Paid By	
Total Payment:	

PURCHASER: Signature on 02-Dec-20 IRIT SALEM 02-Dec-20
 PRADEEP, KUMAR VALLURU DATE Decor Consultant
file by e-mail
 -12-03 2020
 Date Approved M. Rosen Heathwood Homes (Huron) Limited

TAX#:1

PREPARED BY: Marilyn Rosen

PE 683-1

Slrvoice.rpt 28may19

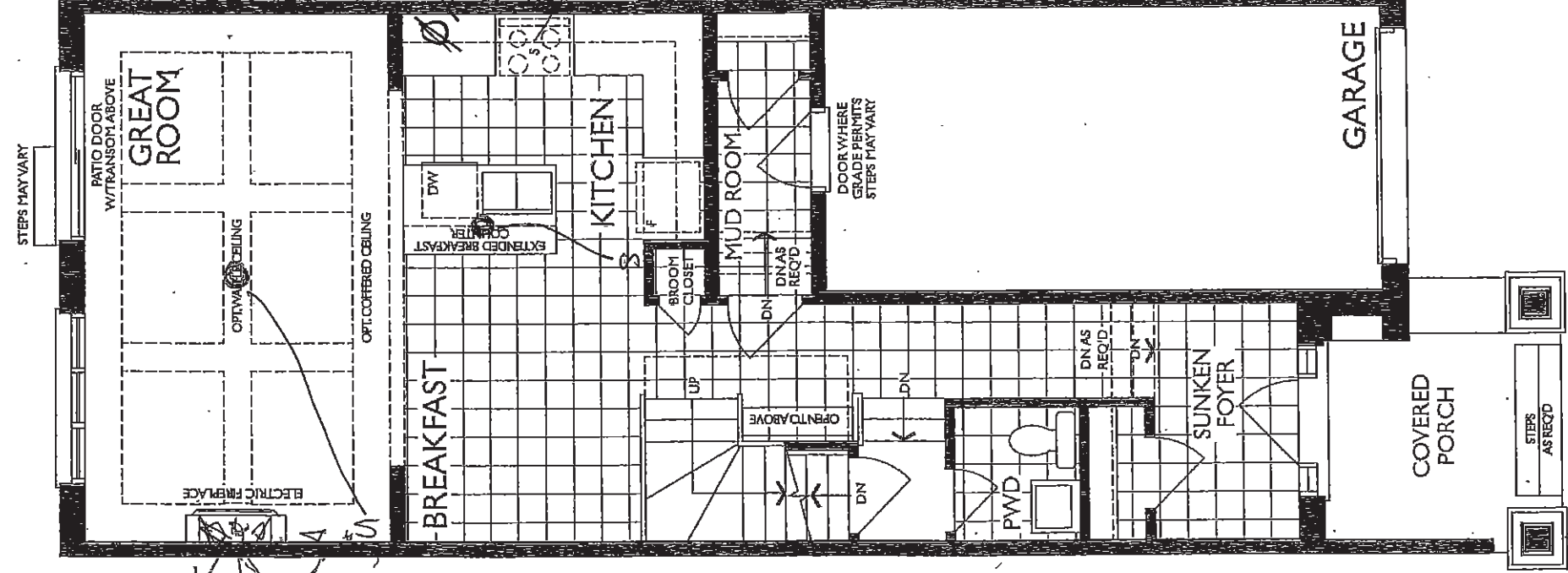
UK-75 WALLACETON
 LOT 285B-11
 20-1606 ELEV B
 THE GRASSFIELD

39 of 42

THE GRASSFIELD

ELEVATION B | 1,986 SQ. FT.
 Includes 380 square feet of finished lower level
 Sketch #4 WALLACETON
 B.A.T. 1870

20-1606 ELEV. B



ELECTRICAL
 RELOCATE
 CABLES REQ
 H.D.M.E
 TO 1/4" FROM
 FLOOR ABOVE
 FIREPLACE

R/I
 CAP LIGHT
 ON EXISTING
 SWITCHED PLUG

UPPER B/I MICROWAVE
 & PLUG

R/I CAP
 LIGHT ON
 SEPARATE SWITCH

R/I GAS LINE



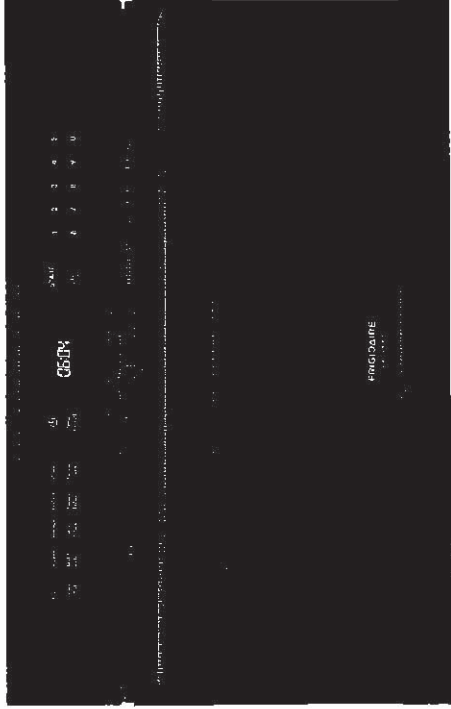
MAIN FLOOR
 ELEVATION B

UK-75 WALLACETON
 LOT 285B-11
 20-1606 ELEV B
 THE GRASSFIELD

40 of 42

FRIGIDAIRE
 GALLERY

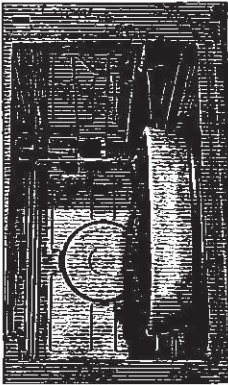
FGMO3067U D/F



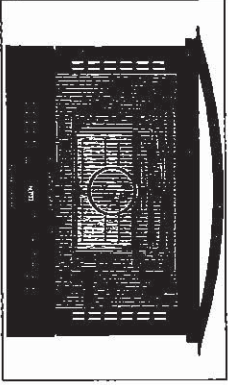
AVAILABLE COLORS



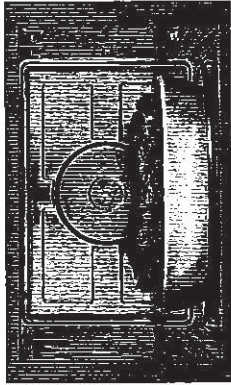
SIGNATURE FEATURES



Fits-More™ Microwave
 Extra-large microwave provides 16 cu. ft. of cooking space.



Drop-Down Door
 Faster, easier access to what you are cooking with the Drop-Down Door configuration.



Interior LED Lighting
 LED interior microwave light stays on while your dish cooks.



Extra-Large 14-3/16" Diameter Glass Turntable
 Big bowls and large casserole dishes are no problem for our extra-large glass turntable. It rotates for even cooking.

MICROWAVE
 30" BUILT-IN WITH
 DROP-DOWN DOOR

PRODUCT DIMENSIONS

Height	19 1/2"
Width	30"
Depth	19 3/4"

MORE-EASY-TO-USE FEATURES

Sensor Cooking Options

Microwave automatically adjusts power levels and cooking times to cook a variety of items more easily.

Effortless Reheat
 Reheat a hot or anything at the touch of a button.

Smudge-Proof™ Black Stainless Steel
 Practical, never looks soiled, shiny. Smudge-Proof™ Black Stainless Steel is a beautiful new finish with an easy-to-clean, fingerprint-resistant surface.

Smudge-Proof™ Stainless Steel
 Resists fingerprints and cleans easily.

Approved Over-the-Counter Electric Wall Ovens
 Approved for installation in a cabinet or over a single electric oven.

UK-75 WALLACETON
 LOT 285B-11
 20-1606 ELEV B
 THE GRASSFIELD

41 of 42

**FGMO3067U D/F
 MICROWAVE**

**FRIGIDAIRE
 GALLERY**

30" BUILT-IN WITH DROP-DOWN DOOR

FEATURES

Control/Timing System	Ready-Select*
Exterior Door Finish	Smudge-Proof™ Stainless
Handle Design	Smudge-Proof™ Stainless
Microwave Capacity (Cu.Ft.)	1.6
Watts (IEC-705 Test Procedure)	950
Interior LED Light	Yes
Interior Color	Stainless Steel
Turntable Diameter	14-3/16"
Control Lock	Yes
Clock	Yes
Touch Pad Buttons	24
Power Levels	High (1-9)

MICROWAVE CONTROL OPTIONS

Popcorn Button	Yes
Baked Potato Button	Yes
Sensor Reheat Button	Yes
Beverage Button	Yes
Melt & Soften Options	2/2
Auto Defrost Options	3
Multi-Stage Cooking Option	Yes
Keep Warm	Yes
Add-30-Seconds	Yes
Sensor Cooking Options	5
Vegetable Cook Sensor	Yes
User Preferences	Yes

POWER RATINGS

Frequency (MHz)	2,450
Watts @ 120 Volts	1650
Amps @ 120 Volts	14

SPECIFICATIONS

Power Supply Connection Location	Rear
Voltage Rating	120V / 60Hz / 15A
Connected Load (kW Rating) @ 120 Volts	1.65
Minimum Circuit Required (Amps)	15
Plug Type (NEMA)	LCDI (3-1SP)
Shipping Weight (Approx.)	87 Lbs

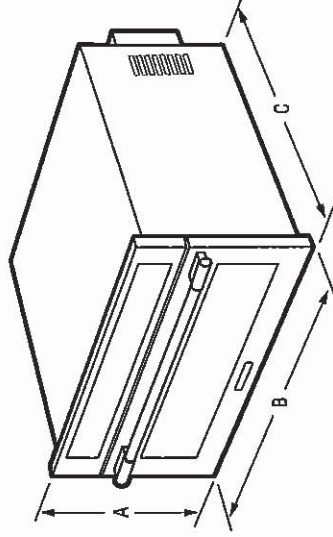
* For use on adequately wired 220V, dedicated circuit having 2-wire service with a separate ground wire. Appliance must be grounded for safe operation.

PRODUCT DIMENSIONS

A - Height	19-1/4"
B - Width	30"
C - Depth	19-3/4"
Depth with Door Open 90°	40-3/4"

CUTOUT DIMENSIONS

Height (Min.)	17-3/4"
Height (Max.)	18"
Width (Min.)	28"
Width (Max.)	28-3/8"
Depth (Min.)	22"



Note: For planning purposes only. Always consult local and national electric, gas and plumbing codes. Refer to Product Installation Guide for detailed installation instructions on the web at frigidaire.com. Specifications subject to change. Accessories information available on the web at frigidaire.com

FRIGIDAIRE
 USA • 10200 David Taylor Drive • Charlotte, NC 28262 • 1-800-FRIGIDAIRE • frigidaire.com
 CANADA • 5855 Terry Fox Way • Mississauga, ON L5V 3E4 • 1-800-265-8352 • frigidaire.ca

FGMO3067U 08/18
 ©2018 Electrolux Home Products, Inc.

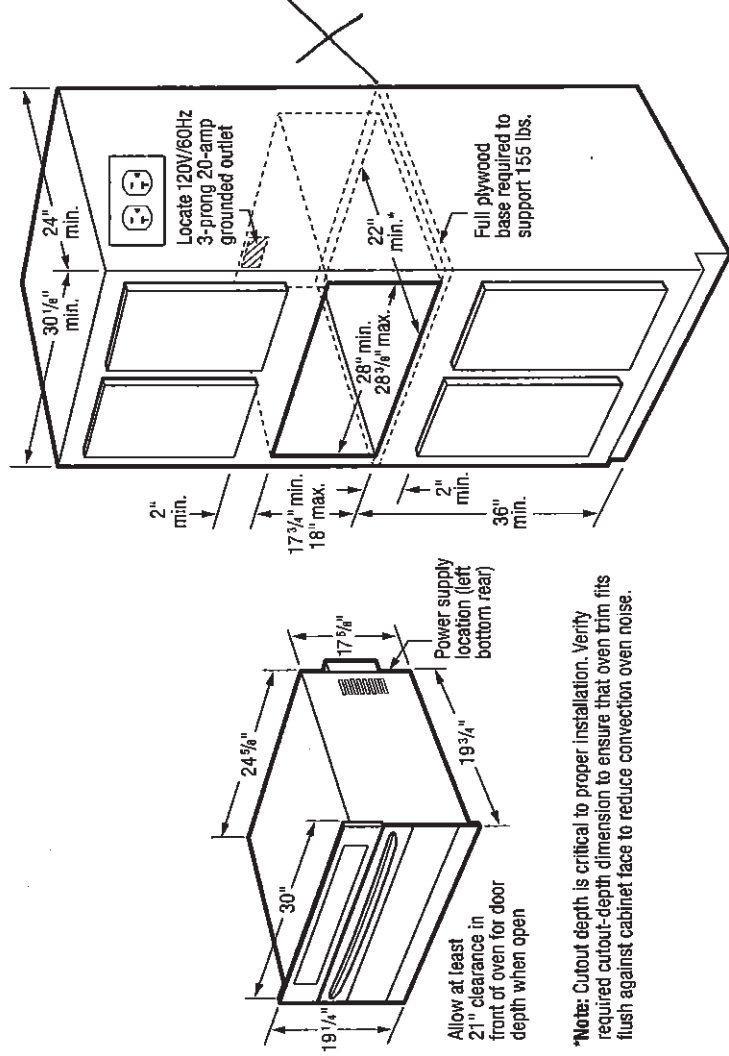
UK-75 WALLACETON
 LOT 285B-11
 20-1606 ELEV B
 THE GRASSFIELD

42 of 42

FGMO3067U D/F
 MICROWAVE

FRIGIDAIRE
 GALLERY

30" BUILT-IN WITH DROP-DOWN DOOR



ABOVE COUNTER
 UPPER CABINET INSTALLATION
 NO TRIM KIT REQUIRED

INSTALLATION SPECIFICATIONS

- Product Shipping Weight (Approx.) - 87 Lbs.
- Voltage Rating - 120V / 60 Hz / 15 Amps
- Connected Load (kW Rating) @ 120 Volts = 1.65 kW (For use on adequately wired 120V, dedicated circuit having 2-wire service with a separate ground wire. Appliance must be grounded for safe operation.)
- Amps @ 120 Volts = 14 Amps
- Always consult local and national electric codes.
- Allow 21" minimum clearance for 90° door swing.
- Minimum 20" deep oven cutout dimension is critical for proper installation for oven and faceplate to fit flush against cabinet front.
- Consult local building code, in the event that cutout opening may be required to be enclosed with sides, ceiling and rear partition.
- Full oven base of solid plywood or similar material required, capable of supporting 155 Lbs.
- Base must be level and front of cabinet square for proper operation
- Grounded outlet should NOT be located in shaded area, as indicated, UNLESS cabinet depth is greater than 21".
- Can NOT be installed above any gas wall oven.
- Built-in Microwave is approved to be used in combination with any Frigidaire® Electric Single Wall Oven and/or Warmer Drawer. (Refer to model-specific Combination Installation Specification pages on web.)
- When used in combination with another Frigidaire® built-in product, a minimum clearance of 3" required from bottom of Built-In Microwave cutout to top edge of companion product's faceplate, leaving a 2-1/8" visible gap between both product faceplates.

*Note: Cutout depth is critical to proper installation. Verify required cutout-depth dimension to ensure that oven trim fits flush against cabinet face to reduce convection oven noise.



FRIGIDAIRE
 USA • 10200 David Taylor Drive • Charlotte, NC 28262 • 1-800-FRIGIDAIRE • frigidaire.com
 CANADA • 5855 Terry Fox Way • Mississauga, ON L5V 3E4 • 1-800-265-8352 • frigidaire.ca

Note: For planning purposes only. Always consult local and national electric, gas and plumbing codes. Refer to Product Installation Guide for detailed installation instructions on the web at frigidaire.com. Specifications subject to change. Accessories information available on the web at frigidaire.com

FGMO3067U 08/18
 © 2018 Electrolux Home Products, Inc.