



Sales Selection Sheet  
Wallaceton

46 of 48

PURCHASER: INVENTORY HOME\_188A-1

TEL:

LOT / UNIT 188A-1	PHASE 1	MODEL 20-2146 CRN B The Upton	
----------------------	------------	----------------------------------	--

It is herein understood and agreed between the undersigned parties hereto that the following changes shall be made to the above mentioned Agreement of Purchase and Sale in accordance with the agreement and except for such changes noted below, all other terms and conditions in the Agreement of Purchase and Sale shall remain as stated herein: It is further understood that and agreed that all changes and additions shall be installed as per builder's specifications, location and available selections. The Purchaser hereby agrees to purchase the following extras:

GRANITE

1	GRANITE - COUNTERTOP WITH 4" BACKSPLASH - 3/4" GROUP 1 - ENSUITE MASTER - UPGRADE 1  <b>Note:</b> MSI QUARTZ ICED WHITE ON PAGE 14 OF 44, MISSED CHARGE.	Qty: 1
---	--	--------

PLUMBING

2	CHANGE DOUBLE STD COLONY SINKS TO DOUBLE UNDERMOUNT OVALYN SINKS FOR QUARTZ COUNTERTOP  <b>Note:</b> Original Pre-SSS page 3 of 9	Qty: 1
---	---	--------

Counter was produced with drop-in sinks, to leave as is as per Marilyn - Jan 11, 2021.

Sub Total
HST
Total

1. This Sales Selection Sheet when properly executed forms part of our Agreement of Purchase and Sale.
2. All extras and upgrades listed above are subject to Construction Progress and Architectural and Municipal requirements.
3. In the event the Vendor is unable to incorporate the work approved above in the construction of the house for any reason whatsoever, the Vendor will not be liable to the Purchaser in any way. The monies paid for any changes or optional extras not proceeded with shall be returned to the Purchaser, without interest. The cost of options or extras is non-refundable in all other circumstances. If for any reason whatsoever the Agreement of Purchase and Sale is not completed, the total cost of work approved above will be retained by the Vendor.
4. The Vendor reserves the right to substitute above materials and equipment with that of equal or better quality.
5. Purchaser acknowledges that items may not be exactly as shown. Variations from the Vendor's samples may occur in finished materials due to normal production processes. Vendor is not responsible for shade difference which may occur from different dye lots or wood grains. Variations from the Vendor's samples will occur with natural materials such as wood, marble, granite, hardwood and brick.
6. The Vendor reserves the right to select Grout & Thresholds that best suits the Tile selected.
7. Selections will not be processed unless signed by Heathwood Homes Head Office.
8. The selections made on this schedule are final and cannot be changed once submitted.
9. The Purchaser has checked and acknowledges the accuracy of this schedule.

Payment Summary	
<u>Paid By</u>	<u>Amount</u>
<u>Total Payment:</u>	

PURCHASER: \_\_\_\_\_

06-Jan-21  
DATE

MARILYN ROSEN  
Decor Consultant

06-Jan-21  
DATE

- APPROVED -

-01- 05 2020

Date Approved Heathwood Homes (Huron) Limited

TAX#:1

PREPARED BY: Marilyn Rosen

UK-75 WALLACETON  
LOT 188A-1  
20-2146 CRN ELEV B  
THE UPTON

47 of 48

*American Standard*

Style That Works Better

 BARRIER FREE

**OVALYN™**  
**UNDERCOUNTER SINK**  
VITREOUS CHINA

**OVALYN™ UNDERCOUNTER SINK**

- Classic oval undermount sink
- Made from vitreous china
- Front overflow
- Supplied with mounting kit (047194-0070A) and template

**0495.221 Unglazed rim**  
435 x 359mm  
(17-1/8" x 14-1/8")

**0495.300 Glazed underside**

**Bowl size:**

382mm (15-1/16") wide  
306mm (12-1/16") front to back  
140mm (5-1/2") deep

**0496.221 Unglazed rim**  
489 x 413mm  
(19-1/4" x 16-1/4")

**0496.300 Glazed underside**

**Bowl size:**

432mm (17") wide  
356mm (14") front to back  
140mm (5-1/2") deep

**0497.221 Unglazed rim**  
546 x 441mm  
(21-1/2" x 17-3/8")

**0497.300 Glazed underside**

**Bowl size:**

483mm (19") wide  
391mm (15-3/8") front to back  
140mm (5-1/2") deep

**Compliance Certifications -**

**Meets or Exceeds the Following Specifications:**

- ASME A112.19.2M for Vitreous China Fixtures
- CAN/CSA B45 series

**To Be Specified:**

- Color:  White  Bone  Linen  
 Silver  Fawn Beige  Black
- Faucet\*:  
 Faucet Finish:  
 Supplies:  
 1-1/4" Trap:

\* See faucet section for additional models available



Counter was produced with drop-in sinks, to leave as is as per Marilyn - Jan 11, 2021.

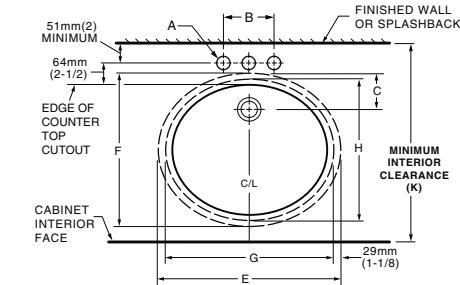
SEE REVERSE FOR ROUGHING-IN DIMENSIONS

*American Standard*

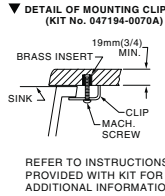
Style That Works Better

BARRIER FREE

**OVALYN™**  
**UNDERCOUNTER SINK**  
 VITREOUS CHINA

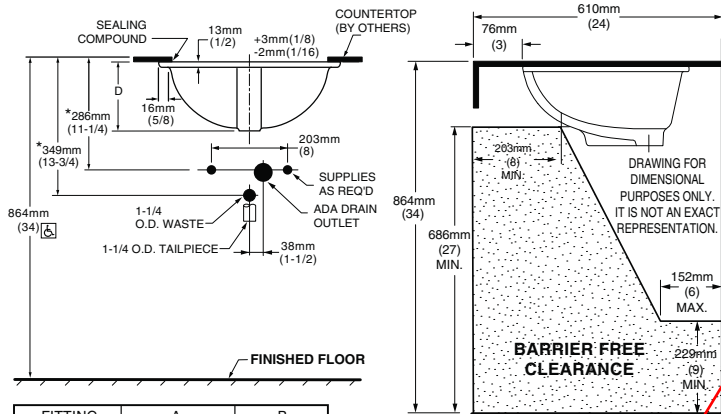


**0496/0497**



**NOTES:**  
 \* DIMENSIONS SHOWN FOR LOCATION OF SUPPLIED AND "P" TRAP ARE SUGGESTED.  
 ▼ UNDERCOUNTER MOUNTING KIT SUPPLIED WITH SINK.  
**PLEASE NOTE MINIMUM INTERIOR CLEARANCE DIMENSION (K).** FITTINGS NOT INCLUDED AND MUST BE ORDERED SEPARATELY. USE ENCLOSED TEMPLATE FOR COUNTERTOP CUTOUT SEALING COMPOUND SUPPLIED BY OTHERS.

**IMPORTANT:** Dimensions of fixtures are nominal and may vary within the range of tolerances established by ANSI Standard A112.19.2. These measurements are subject to change or cancellation. No responsibility is assumed for use of superseded or voided pages.



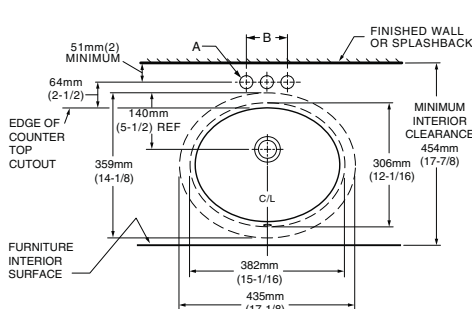
**MEETS THE AMERICANS WITH DISABILITIES ACT GUIDELINES AND ANSI A117.1 ACCESSIBLE AND USEABLE BUILDINGS AND FACILITIES - CHECK LOCAL CODES.**

Countertop 864mm (34") from finished floor. Lavatory installed 76mm (3") from front edge of countertop. Countertop thickness to be 25mm (1") maximum.

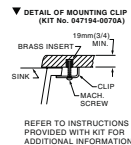
Counter was produced with drop-in sinks, to leave as is as per Marilyn - Jan 11, 2021.

FITTING	A	B
CENTERSET	1-1/4 (32mm)	4 (102mm)
SPREAD	1-3/8 (35mm)	8 (203mm)

CAT. NO.	E	F	G	H	C	D	J	K
0496.221	489mm (19-1/4)	413mm (16-1/4)	432mm (17)	356mm (14)	103mm (4-1/16)	182mm (7-3/16)	16mm (5/8)	500mm (19-11/16)
0497.221	546mm (21-1/2)	441mm (17-3/8)	483mm (19)	391mm (15-3/8)	95mm (3-3/4)	191mm (7-1/2)	19mm (3/4)	534mm (21-1/16)



**0495**



FITTING	A	B
CENTERSET	1-1/4 (32mm)	4 (102mm)
SPREAD	1-3/8 (35mm)	8 (203mm)

**NOTES:**  
 USE ENCLOSED TEMPLATE FOR COUNTERTOP CUTOUT. FITTINGS NOT INCLUDED WITH FIXTURE AND MUST BE ORDERED SEPARATELY.  
 \* DIMENSIONS SHOWN FOR LOCATION OF SUPPLIED AND "P" TRAP ARE SUGGESTED.  
 ▼ UNDERCOUNTER MOUNTING KIT SUPPLIED WITH SINK.  
**PLEASE NOTE MINIMUM INTERIOR CLEARANCE DIMENSION (K).** SEALING COMPOUND SUPPLIED BY OTHERS.

**IMPORTANT:** Dimensions of fixtures are nominal and may vary within the range of tolerances established by ANSI Standard A112.19.2. These measurements are subject to change or cancellation. No responsibility is assumed for use of superseded or voided pages

**MEETS THE AMERICANS WITH DISABILITIES ACT GUIDELINES AND ANSI A117.1 ACCESSIBLE AND USEABLE BUILDINGS AND FACILITIES - CHECK LOCAL CODES.**

Countertop 864mm (34") from finished floor. Lavatory installed 51mm (2") from front edge of countertop. Countertop thickness to be 25mm (1") maximum.

