

PRE-Sales Selection Sheet  
Checklist

| OF 36

LOT 24 Model: 25-2140 A The Wallace  
PURCHASERS: JASMIN JUPIC/MIRNESA JUPIC  
VENDOR: Heathwood Homes (Huron) Limited

- FINISHED BASEMENT
- COLD CELLAR

**UPGRADED / MODIFIED ELEVATION**

- CORNER UPGRADE
- REAR UPGRADE

**CEILING UPGRADE - SMOOTH**

- MAIN FLOOR
- SECOND FLOOR
- BASEMENT

**ADDITIONAL ROUGH-INS**

- 200 AMP SERVICE
- WET BAR ROUGH-IN
- HUMIDIFIER
- AIR CONDITIONING

**GAS ROUGH-IN**

- STOVE
- DRYER
- BBQ
- ADDITIONAL FIREPLACE

**KITCHEN: HOODFAN VENTING SIZE**

- 6 IN ROUND DUCT
- 7 IN ROUND DUCT

FULL BASEMENT STAIRS:

UPPER BASEMENT STAIRS:

LOWER BASEMENT STAIRS:

MAIN STAIRS:

MEDIA STAIRS (if applicable):

LOFT STAIRS (if applicable):

Carpet Grade
N/A
N/A
All Oak
N/A
N/A

MARCH 3/20 Date Purchaser: *Signatures*  
*on file*

MARCH 3/20 Date Decor Consultant: *MARILYN ROSEN*

- APPROVED -  
-03- 03 2020

Date Purchaser: \_\_\_\_\_  
Date Approved: \_\_\_\_\_  
Heathwood Homes (Huron) Limited

Locked Date:



# Sales Selection Sheet

Wallaceton

SCHEDULE 'E' 2 of 36

PURCHASERS: JASMIN JUPIC and MIRNESA JUPIC

TEL:

LOT / UNIT 24	PHASE 1	MODEL 25-2140 A The Wallace
------------------	------------	--------------------------------

It is herein understood and agreed between the undersigned parties hereto that the following changes shall be made to the above mentioned Agreement of Purchase and Sale in accordance with the agreement and except for such changes noted below, all other terms and conditions in the Agreement of Purchase and Sale shall remain as stated herein: It is further understood that and agreed that all changes and additions shall be installed as per builder's specifications, location and available selections. The Purchaser hereby agrees to purchase the following extras:

### APPLIANCES

1	FIVE APPLIANCES- SS FRIDGE, STOVE, CHIMNEY HOOD FAN, DISHWASHER; WHITE FRONT LOAD WASHER/DRYER (SINGLES)	Qty: 1
20,474	<b>Note:</b> SPECS PAGES 23-36	

### MISC.

2	FINISHED LOWER LEVEL-589 SQ FT (THE WALLACE)	Qty: 1
20,475	<b>Note:</b> SKETCH # 1 PAGE 14	

Sub Total
HST
Total

1. This Sales Selection Sheet when properly executed forms part of our Agreement of Purchase and Sale.
2. All extras and upgrades listed above are subject to Construction Progress and Architectural and Municipal requirements.
3. In the event the Vendor is unable to incorporate the work approved above in the construction of the house for any reason whatsoever, the Vendor will not be liable to the Purchaser in any way. The monies paid for any changes or optional extras not proceeded with shall be returned to the Purchaser, without interest. The cost of options or extras is non-refundable in all other circumstances. If for any reason whatsoever the Agreement of Purchase and Sale is not completed, the total cost of work approved above will be retained by the Vendor.
4. The Vendor reserves the right to substitute above materials and equipment with that of equal or better quality.
5. Purchaser acknowledges that items may not be exactly as shown. Variations from the Vendor's samples may occur in finished materials due to normal production processes. Vendor is not responsible for shade difference which may occur from different dye lots or wood grains. Variations from the Vendor's samples will occur with natural materials such as wood, marble, granite, hardwood and brick.
6. The Vendor reserves the right to select Grout & Thresholds that best suits the Tile selected.
7. Selections will not be processed unless signed by Heathwood Homes Head Office.
8. The selections made on this schedule are final and cannot be changed once submitted.
9. The Purchaser has checked and acknowledges the accuracy of this schedule.

<b>Payment Summary</b>	<b>Amount</b>
<u>Paid By</u>	
<u>Total Payment:</u>	

PURCHASER: JASMIN JUPIC *Jasmin Jupic* 02-Mar-20 MARILYN ROSEN 02-Mar-20  
DATE DATE Decor Consultant

PURCHASER: MIRNESA JUPIC *Mirnesa Jupic* 02-Mar-20 **APPROVED -** *MFRosen* 02-Mar-20  
DATE DATE -03-03-2020  
Date Approved Heathwood Homes (Huron) Limited

TAX#:1

PREPARED BY: Marilyn Rosen

PE 221-1

S\invoice.rpt, 28may19

# Customer Colours

86

JASMIN JUPIC/MIRNESA JUPIC  
Project: Wallaceton  
Unit: 24, Phase: 1  
Model: 25-2140 A The Wallace


Created: 2/18/2020 11:00:01

Locked:

Closed:

3 of 36

## Kitchen

Cabinet Colour/Style	9120	VIKINGIII-GEORGIAN-ORCHID 3DL ***STD***
Countertop	9069	MSI Quartz GROUP 1 ICED WHITE ***STD***
Countertop Edge	4010	SINGLE POLISHED STRAIGHT EDGE 3/4 INCH ***STD*** 
Cabinet Hardware	2086	9677-HARDWARE ***STD***
Island Cabinet Colour/Style	9120	VIKINGIII-GEORGIAN-ORCHID 3DL ***STD***
Island Countertop	9069	MSI Quartz GROUP 1 ICED WHITE ***STD***
Backsplash	1111	N/A *****
Backsplash Grout	1111	N/A *****
Backsplash Tile Pattern	1111	N/A *****

HoodFan	9117	SCB50030-CYCLONE 30 inch CANOPY CHIMNEY HOODFAN-SS <i>PAGES 23-24</i>
Appliances	9117	Purchasers have been advised: standard fridge opening is a minimum 37 3/8 x 73 3/8". Ice Waterline Rough-In is included.
Appliances	9117	Standard stove opening is 30" and standard dishwasher opening is 24". Any gas stove will require backsplash or stainless steel backing to avoid fire hazards.
Appliances	9117	Purchasers acknowledge: Heathwood Homes and its contractors will not be responsible for any kitchen cabinet changes due to appliances dimension changes after

Comment

## Kitchen/Breakfast

Flooring	9071	New Byzantine Azzuro 13X13 ***STD***
Floor Tile Grout	2225	Grout-(27) Silver ***STD***
Floor Tile Pattern	3000	STANDARD SQUARE ***STD***

J. J. M.S

# Customer Colours

86

JASMIN JUPIC/MIRNESA JUPIC  
Project: Wallaceton  
Unit: 24, Phase: 1  
Model: 25-2140 A The Wallace

Created: 2/18/2020 11:00:01

Locked:

Closed:

4 of 36

Comment

## Foyer

Flooring

3000

GE.BY.AZR.1313 New Byzantine Azzuro 13

Floor Tile Grout

2225

Grout-(27) Silver \*\*\*STD\*\*\*

Floor Tile Pattern

3000

STANDARD SQUARE \*\*\*STD\*\*\*

Comment

## Laundry Room

Flooring

5589

GE.BY.PEN.1313-New Byzantine-Pentallic (Grey)-13 x 13  
\*\*\*1\*\*\*

Floor Tile Grout

2225

Grout-(27) Silver \*\*\*STD\*\*\*

Floor Tile Pattern

3000

STANDARD SQUARE \*\*\*STD\*\*\*

Comment

## Laundry Room Opt.

Cabinet - Uppers

1111

N/A \*\*\*\*\*

Cabinet Hardware

1111

N/A \*\*\*\*\*

Comment

## Mud Room

Flooring

2086

GE.BY.AZR.1313 New Byzantine Azzuro 13

# Customer Colours

86

JASMIN JUPIC/MIRNESA JUPIC  
Project: Wallaceton  
Unit: 24, Phase: 1  
Model: 25-2140 A The Wallace

Created: 2/18/2020 11:00:01

Locked:

Closed:

5 of 36

Floor Tile Grout

2225

Grout-(27) Silver \*\*\*STD\*\*\*

Floor Tile Pattern

3000

STANDARD SQUARE \*\*\*STD\*\*\*

Comment

## Powder Room

Flooring

3000

GE.BY.AZR.1313 New Byzantine Azzuro 13

Floor Tile Grout

2225

Grout-(27) Silver \*\*\*STD\*\*\*

Floor Tile Pattern

3000

STANDARD SQUARE \*\*\*STD\*\*\*

Plumbing Fixture (Colour)

1737

Plumbing Fixtures-WHITE \*\*\*STD\*\*\*

Comment

## Dining Room/Hall

Flooring

7502

Red Oak Pearl-Vintage Engineered-ECLIPSE-3/4 inch x 3  
1/4 inch \*\*\*STD\*\*\*

Comment

## Dining Room/Hall

Flooring

1111

N/A \*\*\*\*\*

SEE ABOVE

Comment

DUPLICATE SEE ABOVE

## Great Room

Flooring

7502

Red Oak Pearl-Vintage Engineered-ECLIPSE-3/4 inch x 3  
1/4 inch \*\*\*STD\*\*\*

Comment

# Customer Colours

86

JASMIN JUPIC/MIRNESA JUPIC  
Project: Wallaceon  
Unit: 24, Phase: 1  
Model: 25-2140 A The Wallace

Created: 2/18/2020 11:00:01

Locked:

Closed:

6 of 36

## Upper Hall

Flooring

7625

T-15-Dynasty Tex-T-15-40 oz Poly \*\*\*STD\*\*\*

Comment

## Opt. Finished Basement (Rec) Room/Hall

Flooring

7625

T-15-Dynasty Tex-T-15-40 oz Poly \*\*\*STD\*\*\*

Comment

## Master Bedroom

Flooring

7625

T-15-Dynasty Tex-T-15-40 oz Poly \*\*\*STD\*\*\*

Comment

## Bedroom 2

Flooring

7625

T-15-Dynasty Tex-T-15-40 oz Poly \*\*\*STD\*\*\*

Comment

## Bedroom 3

Flooring

7625

T-15-Dynasty Tex-T-15-40 oz Poly \*\*\*STD\*\*\*

Comment

## Bedroom 4

Flooring

7625

T-15-Dynasty Tex-T-15-40 oz Poly \*\*\*STD\*\*\*

Comment

# Customer Colours

86

JASMIN JUPIC/MIRNESA JUPIC  
Project: Wallaceton  
Unit: 24, Phase: 1  
Model: 25-2140 A The Wallace


Created: 2/18/2020 11:00:01

Locked:

Closed:

7 of 36

## Master Ensuite

Cabinet Colour/Style	9166	Viking III-CHARLESTON-ORCHID-3DL ***STD***																
Countertop	9053	Group 1-Quartz-BAYSHORE SAND ***STD***																
Countertop Edge	4010	GROUP 1 - SINGLE POLISHED STRAIGHT EDGE 3/4 INCH ***1***																
Cabinet Hardware	2086	 9677-HARDWARE ***STD***																
Floor Tile	5589	GE.BY.PEN.1313-New Byzantine-Pentaillic (Grey)-13 x 13 ***1***																
Floor Tile Grout	2225	Grout-(27) Silver ***STD***																
Floor Tile Pattern	3000	STANDARD SQUARE ***STD***																
Shower Floor Tile	8661	OD.ON.SWT.0202.MT.N-Ontario Series Mosaic-Snow White Matte-2 x 2 ***STD***																
Shower Floor Tile Grout	2226	Grout-(00) White ***STD***																
Shower Floor Tile Pattern	3000	STANDARD SQUARE ***STD***																
Shower Wall Tile	9020	QT.WV.WHT.0810-Weave-White-8 x 10 ***STD***																
Shower Wall Tile Grout	2226	Grout-(00) White ***STD***																
Shower Wall Tile Pattern	3070	HORIZONTAL STACKED ***STD*** <table border="1" data-bbox="2042 706 2217 917"><tr><td></td><td></td><td></td><td></td></tr><tr><td></td><td></td><td></td><td></td></tr><tr><td></td><td></td><td></td><td></td></tr><tr><td></td><td></td><td></td><td></td></tr></table>																
Shower Jamb(s) and Sill(s)	8923	Shower Jamb / Sill-Thassos White ***STD***																
Plumbing Fixture (colour)	1737	Plumbing Fixtures-WHITE ***STD***																
Comment																		

J.J. M.S

# Customer Colours

JASMIN JUPIC/MIRNESA JUPIC  
Project: Wallaceton  
Unit: 24, Phase: 1  
Model: 25-2140 A The Wallace

Created: 2/18/2020 11:00:01

Locked:

Closed:

8 of 36

## Main Bathroom

Cabinet Colour/Style	9167	Viking III-CHARLESTON-RAIN CLOUD-3DL ***STD***								
Countertop	8796	6698-46-Countertop-PALOMA POLAR ETCHINGS FINISH-Formica ***STD***								
Countertop Edge	1111	N/A *****								
Cabinet Hardware	2086	9677-HARDWARE ***STD***								
Flooring	2086	GE.BY.AZR.1313 New Byzantine Azzuro 13								
Floor Tile Grout	2225	Grout-(27) Silver ***STD***								
Floor Tile Pattern	3000	STANDARD SQUARE ***STD***								
Wall Tile	5411	QT.SP.WHT.0810-Splendour-White-8 inch x 10 inch ***STD***								
Wall Tile Grout	2226	Grout-(00) White ***STD***								
Main Bathroom Tile Pattern	3070	HORIZONTAL STACKED ***STD*** <table border="1" data-bbox="1505 706 1680 917"> <tr><td></td><td></td></tr> <tr><td></td><td></td></tr> <tr><td></td><td></td></tr> <tr><td></td><td></td></tr> </table>								
Plumbing Fixture (Colour)	1737	Plumbing Fixtures-WHITE ***STD***								
Comment										
Opt. Shower Floor Tile	8661	OD.ON.SWT.0202.MT.N-Ontario Series Mosaic-Snow White Matte-2 x 2 ***STD***								
Shower Floor Tile Grout	2226	Grout-(00) White ***STD***								
Shower Floor Tile Pattern	3000	STANDARD SQUARE ***STD***								
Shower Wall Tile	5420	QT.SP.DGR.0810-Splendour-Dark Grey-8 inch x 10 inch ***STD***								
Shower Wall Tile Grout	2226	Grout-(00) White ***STD***								

J.S. M.S



# Customer Colours

JASMIN JUPIC/MIRNESA JUPIC  
Project: Wallaceton  
Unit: 24, Phase: 1  
Model: 25-2140 A The Wallace

Created: 2/18/2020 11:00:01

Locked:

Closed:

9 of 36

Shower Wall Tile Pattern

3070

HORIZONTAL STACKED \*\*\*STD\*\*\*


Shower Jamb(s)

Cabinet Colour/Style

9169

Viking III-CHARLESTON-NAVY BLUE-3DL \*\*\*STD\*\*\*

Countertop

8796

6698-46-Countertop-PALOMA POLAR ETCHINGS  
FINISH-Formica \*\*\*STD\*\*\*

Countertop Edge

1111

N/A \*\*\*\*\*

Cabinet Hardware

2086

9677-HARDWARE \*\*\*STD\*\*\*

Flooring

2086

GE.BY.AZR.1313 New Byzantine Azzuro 13

Floor Tile Grout

2225

Grout-(27) Silver \*\*\*STD\*\*\*

Floor Tile Pattern

3000

STANDARD SQUARE \*\*\*STD\*\*\*

Plumbing Fixture (Colour)

1737

Plumbing Fixtures-WHITE \*\*\*STD\*\*\*

Comment

## Great Room Fireplace

Type

8869

Majestic MERC32 \*\*\*STD\*\*\*

Mantle

8891

NF-17-Paint Grade Mantle- Cabinet (Per Plan)-WHITE  
\*\*\*STD\*\*\*

PAGE 17

Surround Opt.

Note

8891

Purchasers have been advised: heat from the FP can  
damage TV above a FP and items placed on mantle.

Note

8891

Heathwood and its contractors will not be liable for any  
damage on items placed/installed above a FP after closing.

Comment

## Basement Stairs

Type

1714

Carpet Grade Stairs \*\*\*STD BASEMENT STAIRS\*\*\*

# Customer Colours

86

JASMIN JUPIC/MIRNESA JUPIC  
Project: Wallaceton  
Unit: 24, Phase: 1  
Model: 25-2140 A The Wallace

Created: 2/18/2020 11:00:01

Locked:

Closed:

Or 36

Colour	7922	Eclipse (Pewter) STAIN TO COMPLIMENT HARDWOOD AND WILL VARY FROM FLOORING ***99***
Carpet Runner	1111	N/A *****
Handrail/Pickets/Post Type	7652	1 5/16 inch Square pickets with 3 1/2" Square/Cap Post(s)-ALL OAK ***STD***
Handrail/Pickets/Post Colours	1729	Carpet Grade-Stain handrail, pickets, stringers, nosing_pos
Carpet	7625	T-15-Dynasty Tex-T-15-40 oz Poly ***STD***
Custom Stain/Paint	1111	N/A *****
Comment		

## Landing to Basement

Flooring	7502	Red Oak Pearl-Vintage Engineered-ECLIPSE-3/4 inch x 3 1/4 inch ***STD***
Comment		

## Main Stairs

Type	1712	Oak Stairs ***STD MAIN STAIRS***
Colour	7922	Eclipse (Pewter) STAIN TO COMPLIMENT HARDWOOD AND WILL VARY FROM FLOORING ***99***
Carpet Runner	1111	N/A *****
Handrail/Pickets/Posts Type	7652	1 5/16 inch Square pickets with 3 1/2" Square/Cap Post(s)-ALL OAK ***STD***
Handrail/Pickets/Posts Colour	1728	Oak Grade-Stain handrail,oak pickets,stringers,treads,risers
Custom Stain/Paint	1111	N/A *****
Comment		

## Hall

Flooring	7502	Red Oak Pearl-Vintage Engineered-ECLIPSE-3/4 inch x 3
----------	------	---

J.J. M.F.

# Customer Colours

86

JASMIN JUPIC/MIRNESA JUPIC  
Project: Wallaceton  
Unit: 24, Phase: 1  
Model: 25-2140 A The Wallace

Created: 2/18/2020 11:00:01

Locked:

Closed:

11 of 36

1/4 inch \*\*\*STD\*\*\*

Comment

## Throughout

Walls - Paint Colour	1717	22-Wall-WARM GREY ***STD***
Underpad	1079	500 Series-Underpad ***STD***
Thresholds	2232	Metal Thresholds ***STD***
Switches and Plug	5796	Decora White Switches and Plugs ***STD***
Trim Size	8705	4 1/4 Baseboard and 2 3/4 Casings ***STD***
Trim - Paint Colour	1716	Trim-WHITE ***STD***

Comment

Purchaser: x Jasmin Jupic MARCH 2/20 MARILYN ROSEN MARCH 2/20  
JASMIN JUPIC Date Decor Consultant Date

APPROVED

Purchaser: x Mirnesa J. Jupic MARCH 2/20 MJ Rosen -03-03 2020  
MIRNESA JUPIC Date Wallaceton Date Approved



Sales Selection Sheet

Wallaceton

12 of 36

PURCHASERS: JASMIN JUPIC and MIRNESA JUPIC

TEL:

LOT / UNIT 24	PHASE 1	MODEL 25-2140 A The Wallace
------------------	------------	--------------------------------

It is herein understood and agreed between the undersigned parties hereto that the following changes shall be made to the above mentioned Agreement of Purchase and Sale in accordance with the agreement and except for such changes noted below, all other terms and conditions in the Agreement of Purchase and Sale shall remain as stated herein: It is further understood that and agreed that all changes and additions shall be installed as per builder's specifications, location and available selections. The Purchaser hereby agrees to purchase the following extras:

**Electrical**

1 189,449	ELECTRICAL - EXTRA WALL INTERIOR OUTLET ON EXISTING CIRCUIT (DOES NOT INCLUDE KITCHEN OUTLETS) ABOVE GREAT ROOM FIREPLACE 70" +/- FROM FLOOR	Qty: 1
20,488	Note: SKETCH # 2 PAGE 15	

**GARAGE DOORS**

2 20,492	INCREASE GARAGE DOOR TO 8' HEIGHT INCLUDING FRAMING	Qty: 1
	Note: SKETCH # 2 PAGE 15	

**Plumbing**

3 189,689	PLUMBING - OPTION FROM ONE SINK TO DOUBLE SINKS INCLUDING STD CHATEAU FAUCET, STD COLONY SINK, INCLUDING CABINET CONVERSION 2D VIKING AND ONE EXTRA VANITY LIGHT	Qty: 1
20,485	Note: SKETCH # 3 PAGE 16 SPEC PAGE 22	

**Structured Wiring**

4 189,787	STRUCTURED WIRING - CONDUIT PIPE TO ABOVE FIREPLACE ROUGH-IN 70" +/- FROM FLOOR	Qty: 1
20,487	Note: SKETCH # 2 PAGE 15	

Sub Total
HST
Total

1. This Sales Selection Sheet when properly executed forms part of our Agreement of Purchase and Sale.
2. All extras and upgrades listed above are subject to Construction Progress and Architectural and Municipal requirements.
3. In the event the Vendor is unable to incorporate the work approved above in the construction of the house for any reason whatsoever, the Vendor will not be liable to the Purchaser in any way. The monies paid for any changes or optional extras not proceeded with shall be returned to the Purchaser, without interest. The cost of options or extras is non-refundable in all other circumstances. If for any reason whatsoever the Agreement of Purchase and Sale is not completed, the total cost of work approved above will be retained by the Vendor.
4. The Vendor reserves the right to substitute above materials and equipment with that of equal or better quality.
5. Purchaser acknowledges that items may not be exactly as shown. Variations from the Vendor's samples may occur in finished materials due to normal production processes. Vendor is not responsible for shade difference which may occur from different dye lots or wood grains. Variations from the Vendor's samples will occur with natural materials such as wood, marble, granite, hardwood and brick.
6. The Vendor reserves the right to select Grout & Thresholds that best suits the Tile selected.
7. Selections will not be processed unless signed by Heathwood Homes Head Office.
8. The selections made on this schedule are final and cannot be changed once submitted.
9. The Purchaser has checked and acknowledges the accuracy of this schedule.

TAX#:1

PREPARED BY: Marilyn Rosen

PE 225-1

S\invoice.rpt 28may19

Initials: M.J. J.J.



Sales Selection Sheet

Wallaceton

13 of 36

PURCHASERS: JASMIN JUPIC and MIRNESA JUPIC

TEL:

LOT / UNIT 24	PHASE 1	MODEL 25-2140 A The Wallace
------------------	------------	--------------------------------

Payment Summary	
<u>Paid By</u>	<u>Amount</u>
<u>Total Payment:</u>	

PURCHASER: x *Jasmin Jupic* JASMIN JUPIC      02-Mar-20      MARILYN ROSEN      02-Mar-20  
 DATE      Decor Consultant      DATE

PURCHASER: *Mirnesa Jupic* MIRNESA JUPIC      02-Mar-20      - APPROVED -  
 DATE      DATE      -03-03 2020

*MJ Rosen*

Date Approved      Heathwood Homes (Huron) Limited

TAX#:1

PREPARED BY: Marilyn Rosen

PE 225-2

Slvoice.rpt 28may19

UK-75 WALLACETON  
LOT 24  
25-2140 ELEV A  
THE WALLACE

25-2140 ELEV. A

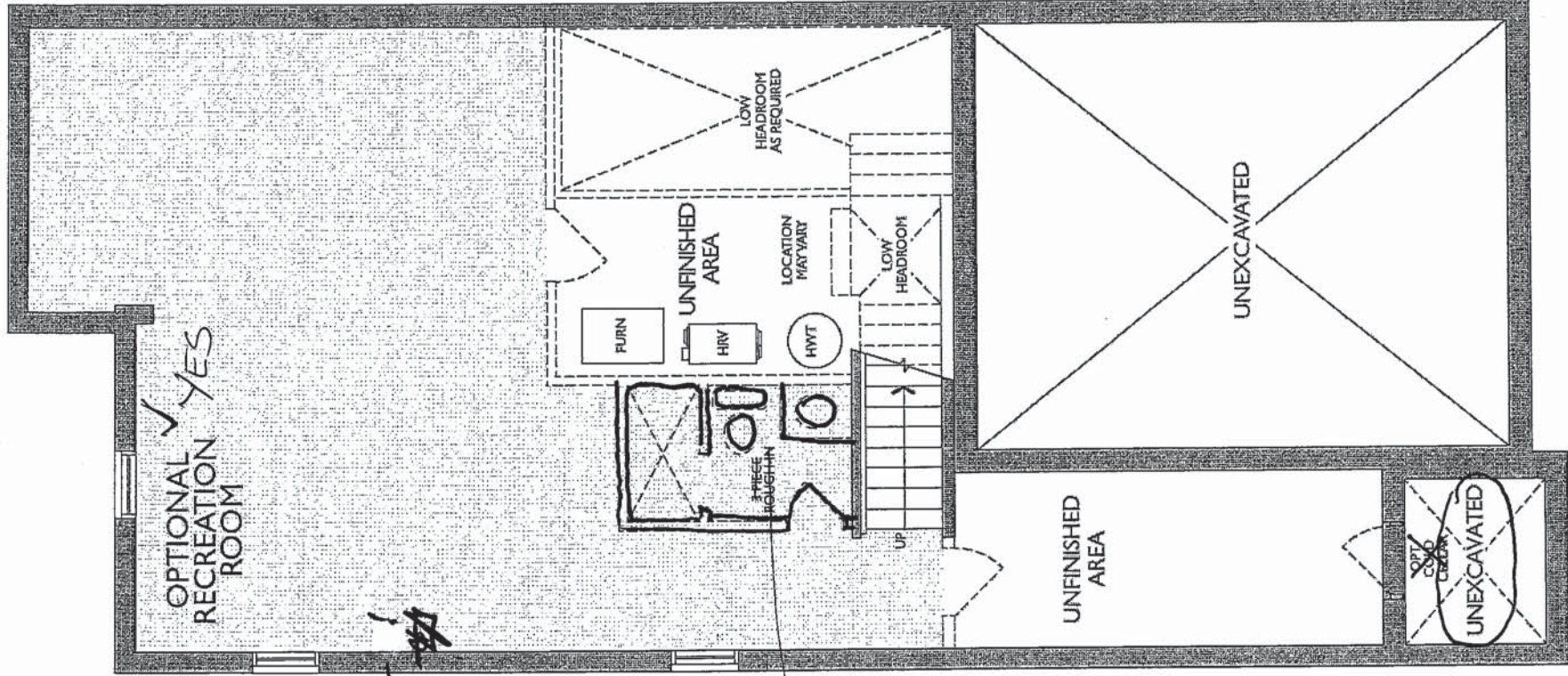
14 of 36

THE WALLACE

ELEVATION A | 2,140 SQ. FT.

589 sq. ft. of opt. finished Lower Level

Sketch #1



LOWER LEVEL  
ELEVATION A.

J.S. M.S.

UK-75 WALLACETON  
LOT 24  
25-2140 ELEV A  
THE WALLACE

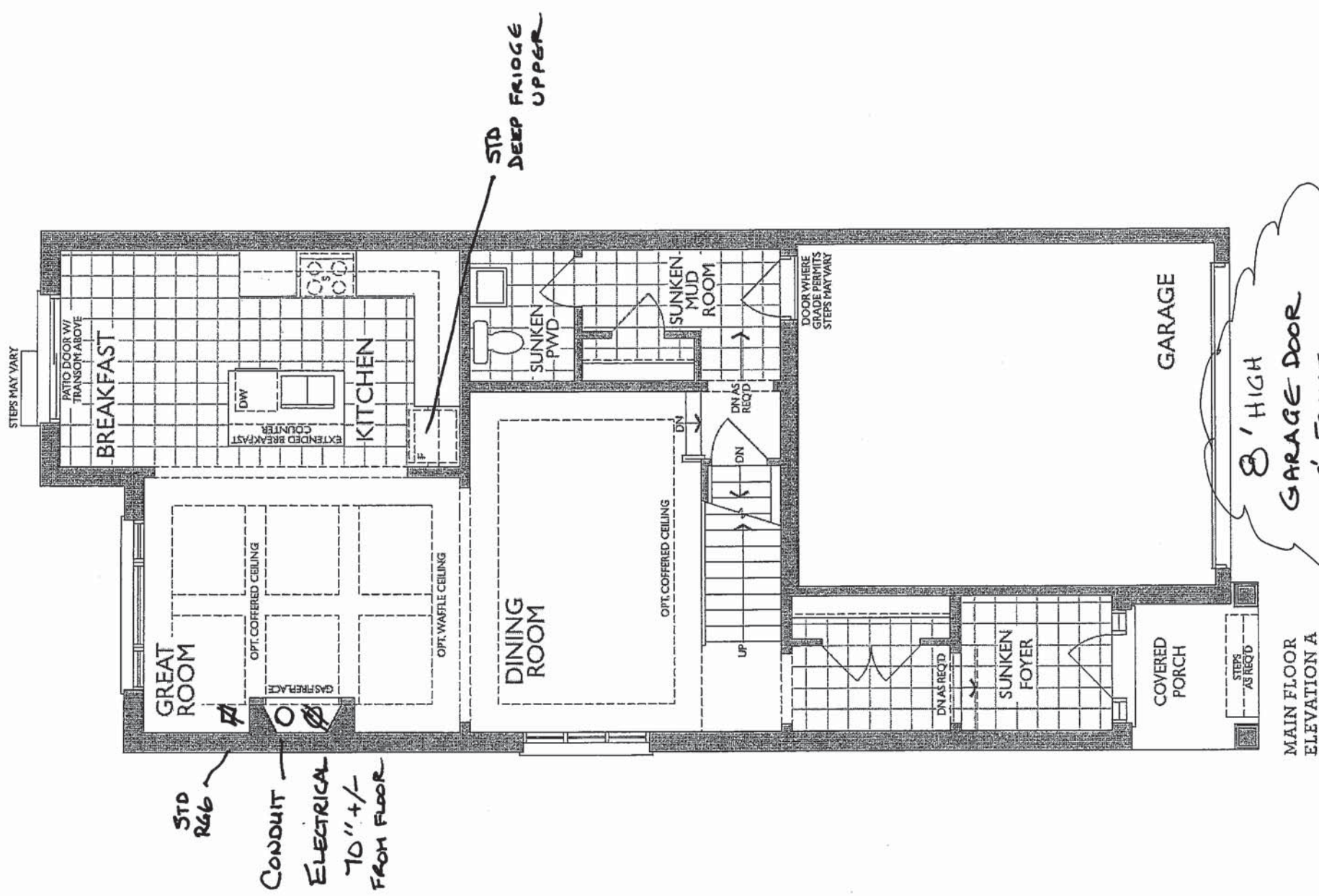
25-2140 ELEV. A

15 of 36  
THE WALLACE

ELEVATION A | 2,140 SQ. FT.

589 sq. ft. of opt. finished Lower Level

Sketch # 2



J. J. M.S

UK-75 WALLACETON

LOT 24

25-2140 ELEV A

THE WALLACE

25-2140 ELEV. A

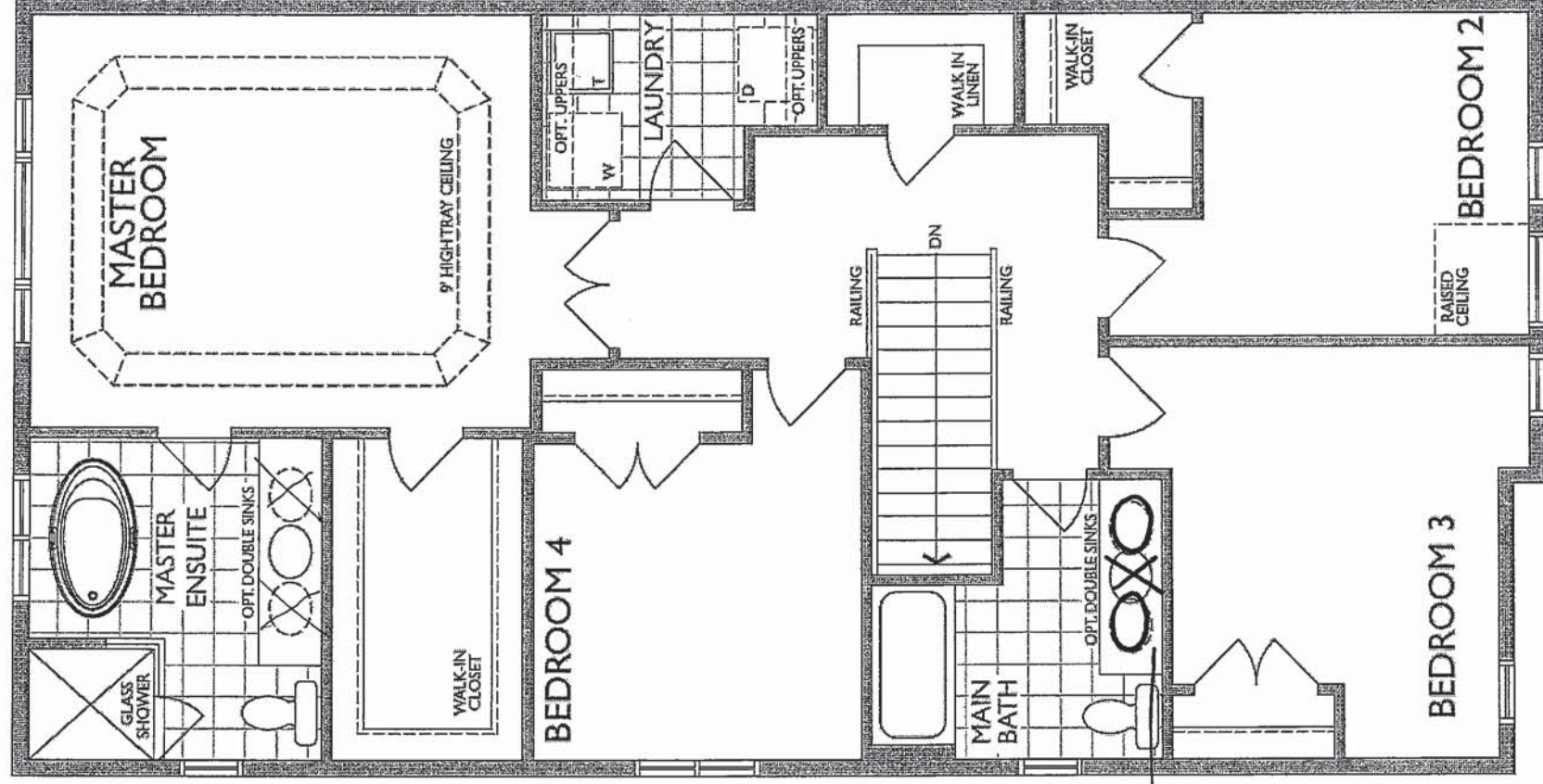
Sketch #3

16 of 36

THE WALLACE

ELEVATION A | 2,140 SQ. FT.

589 sq. ft. of opt. finished Lower Level



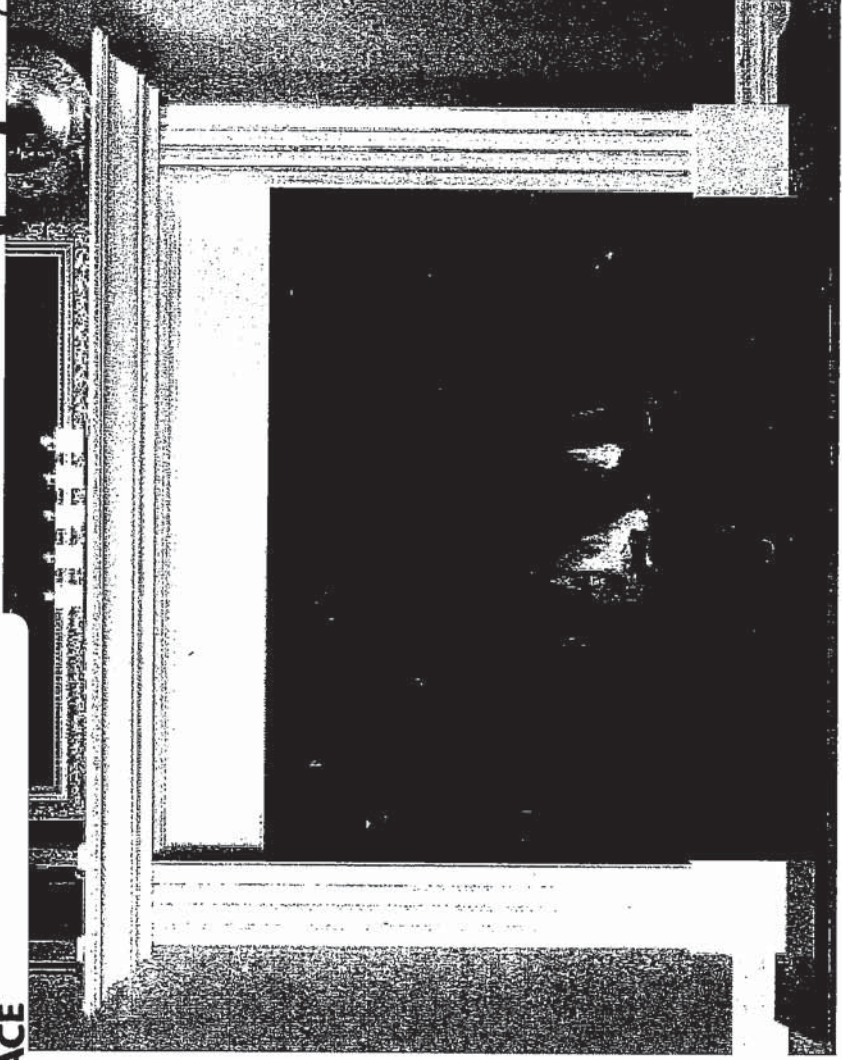
SECOND FLOOR ELEVATION A

J. J. M. J.



UK-75 WALLACETON  
LOT 24  
25-2140 ELEV A  
THE WALLACE

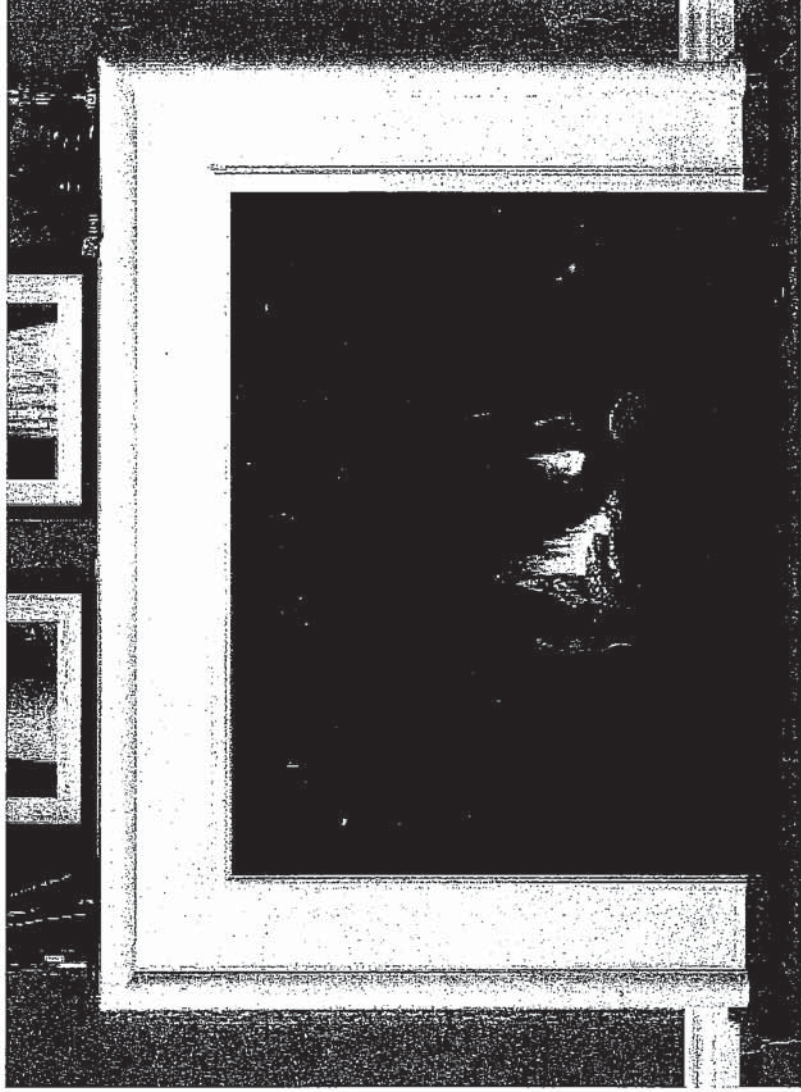
7 of 36



## STANDARD NF 15 Mantel

Clean apron finish with fluted legs  
**WHITE PAINT GRADE FINISH**

(PICTURE SHOWN WITH UPGRADE SURROUND AND HEARTH - PRICED SEPARATELY)



## STANDARD NF 17 Mantel

**WHITE PAINT GRADE FINISH**

(PICTURE SHOWN WITH UPGRADE SURROUND AND HEARTH - PRICED SEPARATELY)

CABINET

J. J. M. f

UK-75 WALLACETON

LOT 24

25-2140 ELEV A

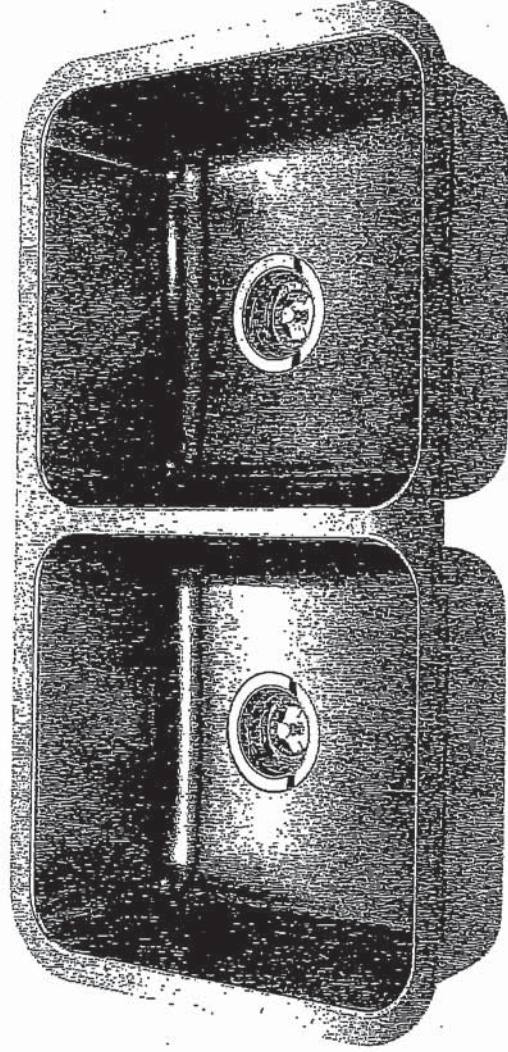
THE WALLACE

18 of 36

*Regina*

STANDARD KITCHEN SINK

ND1831UA/9



Optional Accessories



BG10S



BG10S



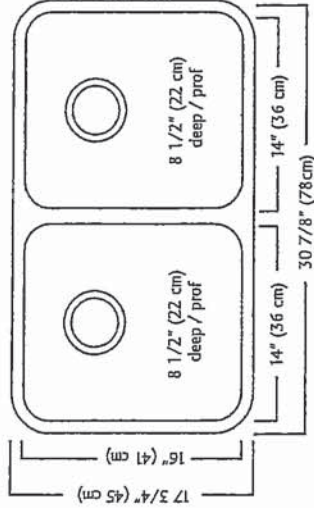
MB100



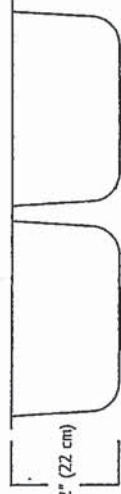
CA1W



DBR10S



8 1/2" (22 cm)



### ND1831UA/9 SPECIFICATION

Model ND1831UA/9 is a double (two equal size) bowl undermount sink manufactured by Franke Kindred Canada Limited from 18 gauge stainless steel. Product has silk finished rims and linear brush finished bowls. Sink is fully undercoated. Basket strainer waste fittings (3 1/2", 89 mm) are included. Sink is backed with a limited lifetime warranty.

- O.D. 17 3/4" x 30 7/8" x 8 1/2" (45 x 78 x 22 cm)
- Recommended for minimum 36" cabinet

Franke Kindred Canada Limited  
P.O. Box 190, 1000 Franke Kindred Road, Midland, Ontario, Canada, L4R 4K9 Phone: 866-687-7465 Fax: 800-361-8408

P.M.J

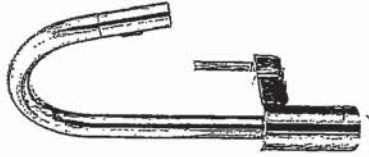
UK-75 WALLACETON  
LOT 24  
25-2140 ELEV A  
THE WALLACE

19 of 36

STANDARD KITCHEN FAUCET

Align

Modern



Single Handle Pull-Down Kitchen  
Faucet\*

Model 7565T

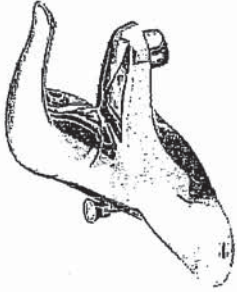
J. J. M. J.

UK-75 WALLACETON  
LOT 24  
25-2140 ELEV A  
THE WALLACE

20 of 36

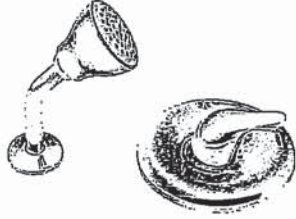
# Chateau

Transitional



Lavatory Faucet with Pop-Up Drain  
Model L4621†

## VANITY SINKS AND PEDESTAL



Posi-Temp® Pressure Balancing Tub/Shower  
Model 62320 / TL183†

OR

Posi-Temp Valve and Tub/Shower Trim  
with Eco-Performance Easy Clean® XL

Model 62320 / TL183EP†  
(TL183EP not available in BC)

## SHOWER AND 5' TUB FAUCETS



2 Handle Roman Tub with 9" Spout  
Model 4796 / T990†

## FREESTANDING TUB FAUCETS

J. J. M. J.

**UK-75 WALLACETON  
LOT 24  
25-2140 ELEV A  
THE WALLACE**

21 of 36

1 x MASTER ENSUITE

*American Standard*

Style That Works Better



**OVALYN™ UNDERCOUNTER SINK**

- Classic oval undermount sink
- Made from vitreous china
- Front overflow
- Supplied with mounting kit (047194-0070A) and template

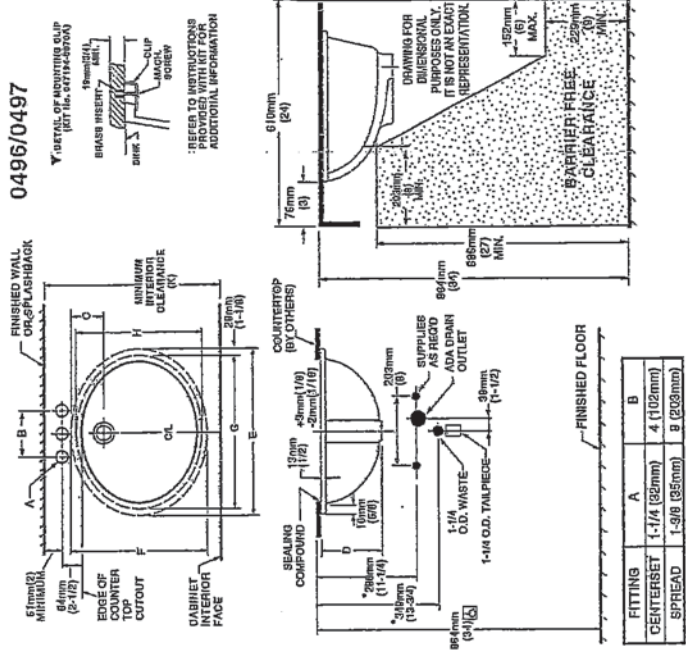
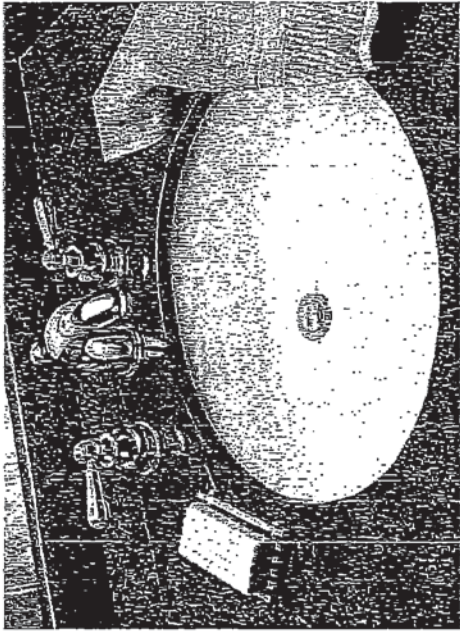
**0496.221 Unglazed rim**  
489 x 413mm  
(19-1/4" x 16-1/4")

**Bowl size:**  
432mm (17") wide  
356mm (14") front to back  
140mm (5-1/2") deep

**Compliance Certifications -**

- Meets or Exceeds the Following Specifications:
- ASME A112.19.2M for Vitreous China Fixtures
- CAN/CSA B45 series

**OVALYN™  
UNDERCOUNTER SINK**  
VITREOUS CHINA



**NOTES:**  
 \* DIMENSIONS SHOWN FOR LOCATION OF SUPPLIED AND \*P\* TRAP ARE SUGGESTED.  
 ▼ UNDERCOUNTER MOUNTING KIT SUPPLIED WITH SINK.  
 PLEASE NOTE MINIMUM INTERIOR CLEARANCE DIMENSION (K). FITTINGS NOT INCLUDED AND MUST BE ORDERED SEPARATELY.  
 USE ENCLOSED TEMPLATE FOR COUNTERTOP CUTOUT SEALING COMPOUND SUPPLIED BY OTHERS.  
**IMPORTANT:** Dimensions of fixtures are nominal and may vary within the range of tolerances established by ANSI Standard A112.19.2. These measurements are subject to change or cancellation. No responsibility is assumed for use of superseded or voided pages.



MEETS THE AMERICANS WITH DISABILITIES ACT GUIDELINES AND ANSI A117.1 ACCESSIBLE AND USEABLE BUILDINGS AND FACILITIES - CHECK LOCAL CODES.  
 Countertop 864mm (34") from finished floor. Lavatory installed 76mm (3") from front edge of countertop. Countertop thickness to be 25mm (1") maximum.

S.S. M.S

UK-75 WALLACETON

LOT 24

25-2140 ELEV A

THE WALLACE

*American Standard*

 BARRIER FREE

2x MAIN BATH

22 of 36

COLONY™

COUNTERTOP SINK

VITREOUS CHINA

COLONY COUNTERTOP SINK

- Vitreous china
  - Self-rimming
  - Front overflow
  - Supplied with template
  - Faucet deck
- (Faucet shown not included)

 0346 803

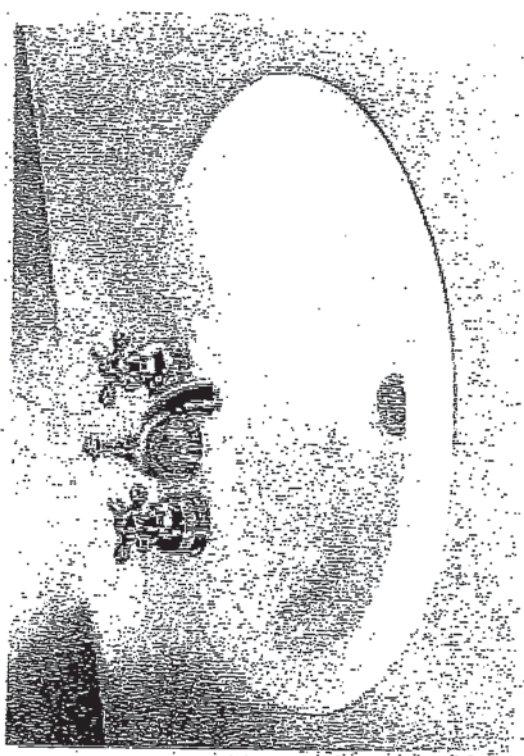
Faucet holes on 203mm (8") centres

~~ 0346 403 (Illustrated)~~

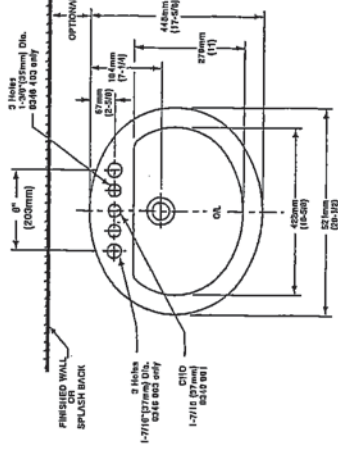
Faucet holes on 102mm (4") centres

0346 001

Centre hole only



OPTIONAL DOUBLE SINKS

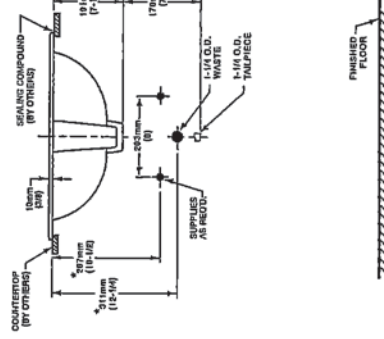


Nominal Dimensions:

521 x 448mm (20-1/2" x 17-5/8")

Bowl sizes:

422mm (16-5/8") wide, 279mm (11") front to back, 143mm (5-5/8") deep



COMPLIANCE CERTIFICATIONS –

Meets or exceeds the following Specifications:

- ASME A112.19.2M for Vitreous China Fixtures.
- CAN/CSA B45 Series.

To Be Specified

Colour:  White  Bone  Silver Gray

Linen

Faucet\*:

Faucet Finish:

Supplies & Stops:

Trap 1-1/4" (32 mm):

NOTES:  
 \* DIMENSIONS SHOWN FOR LOCATION OF SUPPLIES AND "P" TRAP ARE SUGGESTED. FOR COUNTERTOP CUTOUT AND INSTALLATION INSTRUCTIONS USE TEMPLATE SUPPLIED WITH SINK.  
 FAUCETS NOT INCLUDED AND MUST BE ORDERED SEPARATELY.  
 IMPORTANT: Dimensions of fixtures are nominal and may vary within the range of tolerances established by ANSI Standard A112.19.2.  
 These measurements are subject to change or cancellation. No responsibility is assumed for use of superseded or voided pages.

\* See faucet section for additional models available

BAS-198

© 2000 American Standard Inc.

01/07

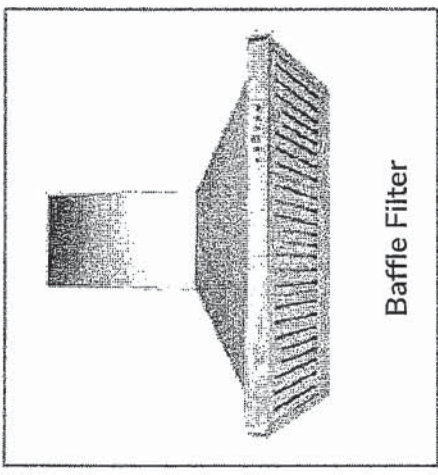
J.J.M.J

**UK-75 WALLACETON**  
**LOT 24**  
**25-2140 ELEV A**  
**THE WALLACE**

23 of 36

**SC(B)500 | ALITO Collection**

**Cyclone<sup>®</sup>**  
 Breathe Better



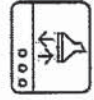
**Wall Mount**

Strong and sturdy with attractive lines and an imposing frame, the SC(B)500 is fitted with time-delay OFF feature up to nine minutes, 550 CFM fan, bright LED lights and a digital three-speed push button control panel.

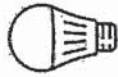
**Green Features**



3 Speed Push Button Control Panel



Dishwasher Safe Filters



Long-Lasting LED Light



Time-Delay OFF Feature



Model	Colour	Ducting	Filters	Size	CFM
SC50024	Stainless-Steel	6"	Mesh	24"	550
SC50030	Stainless-Steel	6"	Mesh	30"	550
SC50036	Stainless-Steel	6"	Mesh	36"	550
SCB50024	Stainless-Steel	6"	Baffle	24"	550
SCB50030	Stainless-Steel	6"	Baffle	30"	550
SCB50036	Stainless-Steel	6"	Baffle	36"	550

Cyclone Range Hoods Inc.

1361 Huntingwood Drive, Unit 16, Toronto, ON M1S 3J1, Canada  
 Toll Free: 1-888-293-5662 Tel: (416) 293-0933 Fax: (416) 293-4793 Website: www.CycloneRangeHoods.com

J.J. M-J

**UK-75 WALLACETON**  
**LOT 24**  
**25-2140 ELEV A**  
**THE WALLACE**

24 of 36

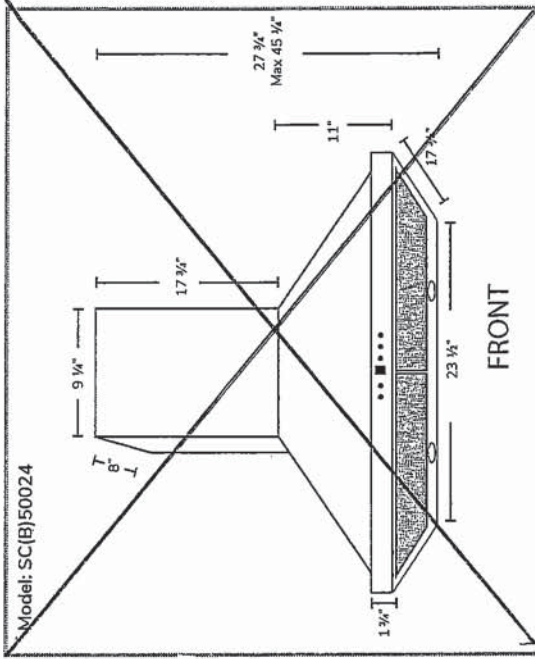
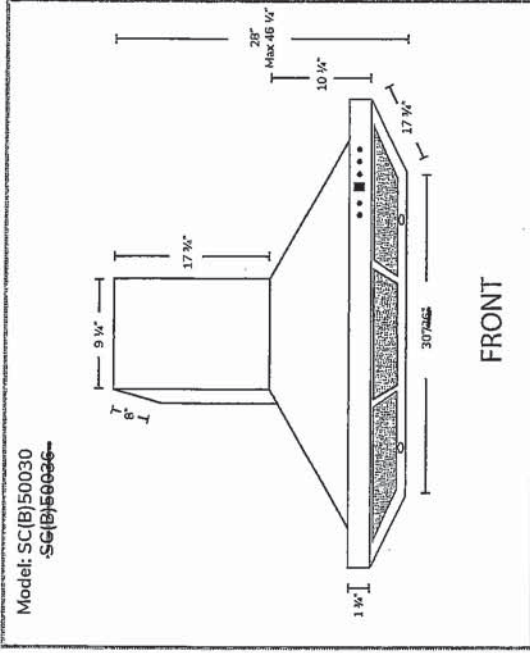
12 of 5

**SC(B)500 | ALITO Collection**

**Cyclone®**  
 Breathe Better

**Features**

- Wall mount range hood
- 6" round duct adapter
- Non-stick aluminum fan blades
- 3 speed push button control
- 2 LED lights (2 x 1.4W)
- Dishwasher-safe mesh or baffle filters
- Standard chimney fits up to 9 ft. ceiling
- Up to 9 minute time-delay OFF feature
- Plug-in connection



**Options**

- Filters: SC500 - Quick Release Aluminum Mesh Filters
- SCB500 - Quick Release Stainless Steel Baffle Filters
- Available Chimney Flues:
  - Short (7 ft. - 8 ft., A1.CH10)
  - Standard (8 ft. - 9 ft., A1.CH18)
  - Extended (9 ft. - 11 ft. A1.CH30)
- Widths: 24", 30", 36"

**Specifications**

- Air Flow Volume: 550 CFM
- Electrical Connection: 120V/60Hz
- Power Consumption: 210 Watts
- Current: 2.5 Amps
- Fan Speed: 1600RPM
- Fan Type: Centrifugal Blower

- Finishes: Stainless Steel
- Ducting: 6" Round
- Dimensions: Width: 24", 30", 36"  
 Height: 46"  
 Depth: 18"

- Noise Level: Min. 2 Sones  
 Max. 6 Sones



Toronto • Vancouver • Boston  
[www.CycloneRangeHoods.com](http://www.CycloneRangeHoods.com)

J.J. M.J



**UK-75 WALLACETON  
LOT 24  
25-2140 ELEV A  
THE WALLACE**

25<sup>1/2</sup> OF 36

**Whirlpool®** Bottom Mount Refrigerator

**PRODUCT MODEL NUMBERS**

WRF532SMB  
WRF535SMB

WRF535SMB  
WRF540CWB

**Electrical:** A 115-volt, 60-Hz, AC-only, 15- or 20-amp fused, grounded electrical supply is required. It is recommended that a separate circuit serving only your refrigerator be provided. Use an outlet that cannot be turned off by a switch. Do not use an extension cord.

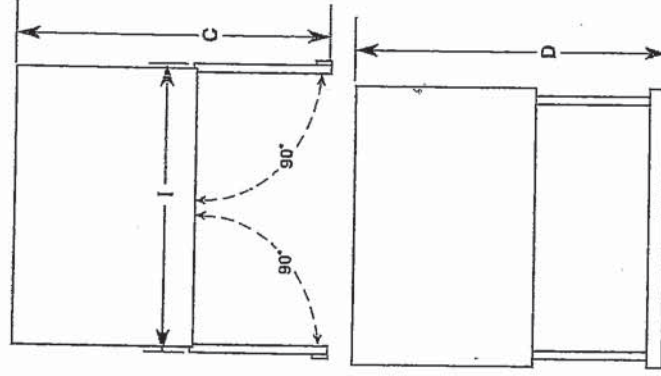
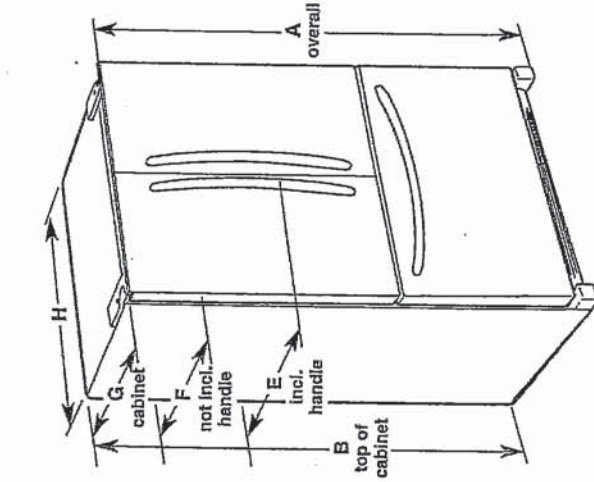
**NOTE:** Before performing any type of installation, cleaning, or removing a light bulb, turn the control (Thermostat, Refrigerator or Freezer Control depending on the model) to OFF and then disconnect the refrigerator from the electrical source. When you are finished, reconnect the refrigerator to the electrical source and reset the control (Thermostat, Refrigerator or Freezer Control depending on the model) to the desired setting. See "Using the Controls."

**Water:** A cold water supply with water pressure between 30 and 120 psi (207 and 827 kPa) is required to operate the ice maker and water dispenser. If you have questions about your water pressure, call a licensed, qualified plumber.

**IMPORTANT:** The pressure of the water coming out of a reverse osmosis system going to the water inlet valve of the refrigerator needs to be between 35 and 120 psi (241 and 827 kPa).

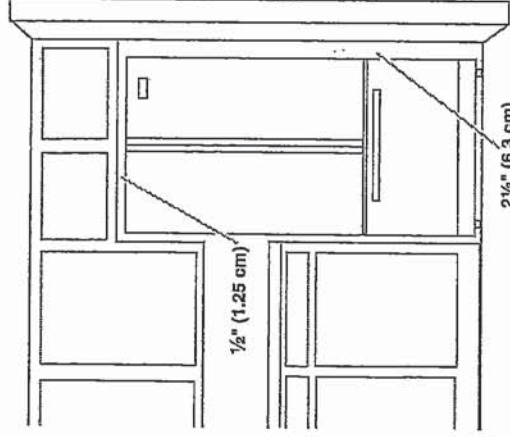
**Reverse Osmosis Water Supply:** If a reverse osmosis water filtration system is connected to your cold water supply, the water pressure to the reverse osmosis system needs to be a minimum of 40 to 60 psi (276 to 414 kPa).

**PRODUCT DIMENSIONS**



Model Number/Size	Height - Overall "A"	Height - Top of Cabinet "B"	Depth - Doors Open 90° "C"	Depth - Drawer Open "D"	Depth - With Handles "E"	Depth - Without Handles "F"	Depth - Cabinet Only "G"	Width - Cabinet "H"	Width - Door Open 90° "I"
WRF535SMB 25.2 cu. ft.	70 $\frac{1}{2}$ " (178.1 cm)	68 $\frac{3}{4}$ " (174.8 cm)	48 $\frac{1}{2}$ " (122.1 cm)	53 $\frac{1}{2}$ " (135 cm)	35 $\frac{1}{2}$ " (90 cm)	32 $\frac{1}{4}$ " (83.7 cm)	29 $\frac{1}{2}$ " (74 cm)	35 $\frac{1}{2}$ " (90.5 cm)	43 $\frac{1}{2}$ " (110.2 cm)
WRF535SMB 25.2 cu. ft.	70 $\frac{1}{2}$ " (178.1 cm)	68 $\frac{3}{4}$ " (174.8 cm)	48 $\frac{1}{2}$ " (122.1 cm)	53 $\frac{1}{2}$ " (135 cm)	35 $\frac{1}{2}$ " (90 cm)	32 $\frac{1}{4}$ " (83.7 cm)	29 $\frac{1}{2}$ " (74 cm)	35 $\frac{1}{2}$ " (90.5 cm)	43 $\frac{1}{2}$ " (110.2 cm)
WRF532SMB 22.1 cu. ft.	70 $\frac{1}{2}$ " (178.1 cm)	68 $\frac{3}{4}$ " (174.8 cm)	47 $\frac{1}{2}$ " (119.5 cm)	52 $\frac{1}{2}$ " (132.4 cm)	34 $\frac{1}{2}$ " (87.5 cm)	31 $\frac{1}{4}$ " (79.1 cm)	28 $\frac{1}{2}$ " (71.4 cm)	32 $\frac{1}{2}$ " (82.9 cm)	42 $\frac{1}{2}$ " (107.6 cm)
WRF540CWB 20 cu. ft.	70 $\frac{1}{2}$ " (178.1 cm)	68 $\frac{3}{4}$ " (174.8 cm)	48"	44 $\frac{1}{2}$ " (113.0 cm)	29 $\frac{1}{2}$ " (74.6 cm)	28"	24 $\frac{1}{2}$ " (61.3 cm)	35 $\frac{1}{2}$ " (90.5 cm)	39 $\frac{1}{2}$ " (100.0 cm)

**LOCATION REQUIREMENTS**



To ensure proper ventilation for your refrigerator, allow for a 1/2" (1.25 cm) space on each side and at the top. Allow for 1" (2.54 cm) of space behind the refrigerator. If your refrigerator has an ice maker, make sure you leave some extra space at the back for the water line connections.

If you are installing your refrigerator next to a fixed wall, leave 2 1/2" (6.3 cm) minimum on the hinge side (some models require more) to allow for the door to swing open.

**NOTE:** This refrigerator is intended for use in a location where the temperature ranges from a minimum of 55°F (13°C) to a maximum of 110°F (43°C). The preferred room temperature range for optimum performance, which reduces electricity usage and provides superior cooling, is between 60°F (15°C) and 90°F (32°C). It is recommended that you do not install the refrigerator near a heat source, such as an oven or radiator.

Because Whirlpool Corporation policy includes a continuous commitment to improve our products, we reserve the right to change materials and specifications without notice.

Dimensions are for planning purposes only. For complete details, see Installation instructions packed with product. Specifications subject to change without notice.

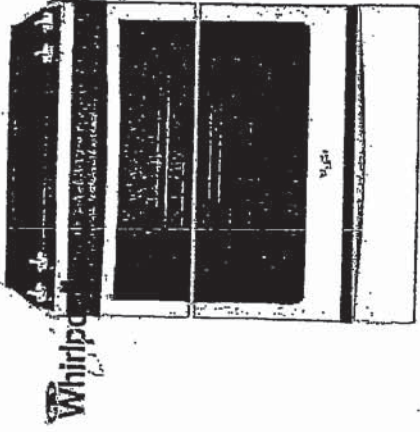
Ref. W10597594B  
10/1/14

J. S. M.J

UK-75 WALLACETON  
LOT 24  
25-2140 ELEV A  
THE WALLACE

26 of 36

Whirlpool 6.2 cu. ft. Front-Control Electric Stove with TimeSavor™ Convection (YWEE730HDS) Page 1 of 2



Whirlpool 6.2 cu. ft. Front-Control Electric Stove with TimeSavor™ Convection

Print

BASE MSRP  
\$1,799.99

Choose A Color  
Stainless Steel

2.4

20 Reviews Write a Review

where to buy

Add to Compare

AVAILABLE COLOR OPTIONS



3 SHARE



Stainless Steel - YWEE730HDS

OVERVIEW | FEATURES | SPECIFICATIONS | RATINGS & REVIEWS | MANUALS

RELATED MODELS & ACCESSORIES

### Whirlpool 6.2 cu. ft. Front-Control Electric Stove with TimeSavor™ Convection

Leave unnecessary meal prep behind with the 6.2 cu. ft. front-control electric stove that fits your kitchen and delivers delicious results. TimeSavor™ convection cooking helps you cook tastier roasts and bake bread with just the right texture in less time than non-convection ovens. You'll be able to skip the preheat and cook frozen favorites faster in this self-cleaning stove with Frozen Bake™ technology. And thanks to the FIT™ system, it's easy to upgrade to a full-depth range made to fit in your existing kitchen cutout. When it's time for cleanup, Aqualift™ self-cleaning technology helps you wipe away messes without harsh chemicals or odors.

why you'll love it...

#### 6.2 cu. ft. Capacity

The 6.2 cu. ft. oven has room to bake and roast holiday dishes, so there's always enough space to handle even your largest meals.

#### Frozen Bake™ Technology

Skip preheating for favorites like pizza, lasagna, chicken nuggets, fries or pies so you can cook frozen foods faster.

#### Full-Depth Slide-In Range with the FIT System

Upgrade to a full-depth slide-in range that fits both your tile and your range cutout thanks to the FIT system.

J. S. M. J.

**UK-75 WALLACETON**  
**LOT 24**  
**25-2140 ELEV A**  
**THE WALLACE**

27 of 36

YWE730H0DS.

- Cabinet opening dimensions that are shown must be used. Given dimensions are minimum clearances.
- The anti-tip bracket must be installed. To install the anti-tip bracket shipped with the range, see "Install Anti-Tip Bracket" section.
- Grounded electrical supply is required. See the appropriate "Electrical Requirements" section.
- Contact a qualified floor covering installer to check that the floor covering can withstand at least 200°F (93°C).
- Use an insulated pad or ¼" (0.64 cm) plywood under/range if installing range over carpeting.

**IMPORTANT:** To avoid damage to your cabinets, check with your builder or cabinet supplier to make sure that the materials used will not discolor, delaminate or sustain other damage. This oven has been designed in accordance with the requirements of UL and CSA International and complies with the maximum allowable wood cabinet temperatures of 194°F (90°C).

**Mobile Home - Additional Installation Requirements**

The installation of this range must conform to the Manufactured Home Construction and Safety Standard, Title 24 CFR, Part 3280 (formerly the Federal Standard for Mobile Home Construction and Safety, Title 24, HUD Part 280). When such standard is not applicable, use the Standard for Manufactured Home Installations, ANSI A225.1/NFPA 501A or with local codes. In Canada, the installation of this range must conform with the current standards CAN/CSA-A240-latest edition, or with local codes.

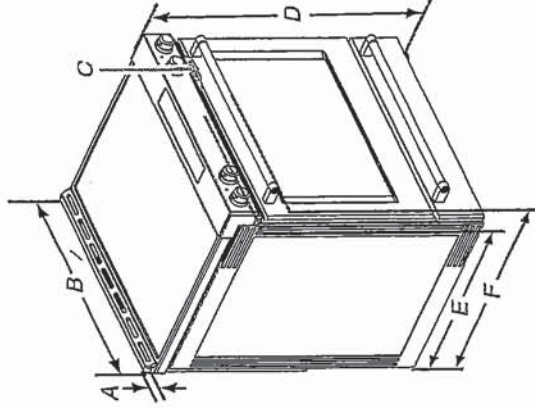
**Mobile Home Installations Require:**

- When this range is installed in a mobile home, it must be secured to the floor during transit. Any method of securing the range is adequate as long as it conforms to the standards listed above.
- Four-wire power supply cord or cable must be used in a mobile home installation. The appliance wiring will need to be revised. See "Electrical Connection - U.S.A. Only" section.

**Product Dimensions**

This manual covers several models. Your model may appear different from the models depicted. Dimensions given are maximum dimensions across all models.

Model KSEB900



- A. 1 ½" (3.0 cm) height from cooktop to top of vent
- B. 28 ½" (75.9 cm)
- C. Model/serial/rating plate (located behind the oven door on the top right-hand side of the oven frame)
- D. 36" (91.4 cm) height to top of cooktop edge with leveling legs screwed all the way in\*
- E. 28 ½" (71.9 cm) max. depth from front of console to back of range
- F. 28 ½" (73.3 cm) max. depth from handle to back of range

**IMPORTANT:** Range must be level after installation. Follow the instructions in the "Level Range" section. Using the cooktop as a reference for leveling the range is not recommended.

\*Range can be raised approximately 1" (2.5 cm) by adjusting the leveling legs.

J. J. M-J

UK-75 WALLACETON

LOT 24

25-2140 ELEV A

THE WALLACE

28 of 36

DEWS 7/02/17

**Cabinet Dimensions**

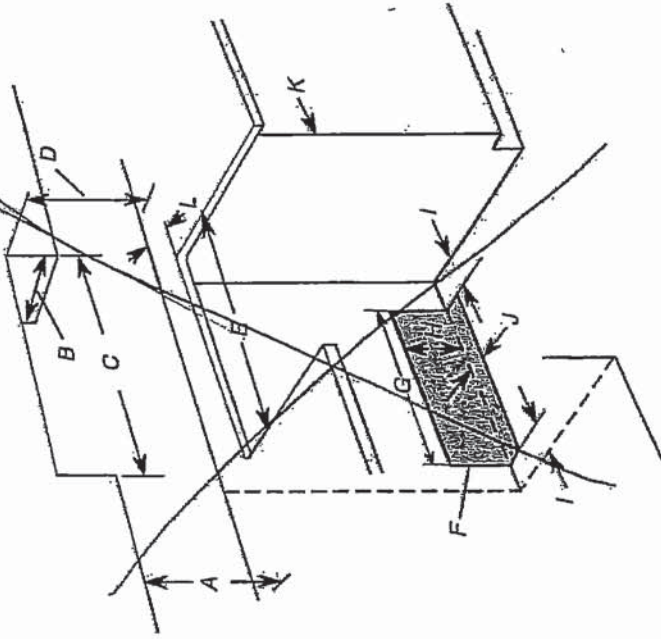
Cabinet opening dimensions shown are for 25" (64.0 cm) countertop depth, 24" (61.0 cm) base cabinet depth and 36" (91.4 cm) countertop height.

**IMPORTANT:** If installing a range hood or microwave hood combination above the range, follow the range hood or microwave hood combination installation instructions for dimensional clearances above the cooktop surface.

Range may be installed next to combustible walls with zero clearance.

**NOTE:** When installed in a slide-in cutout, the front of oven door may protrude beyond the base cabinet.

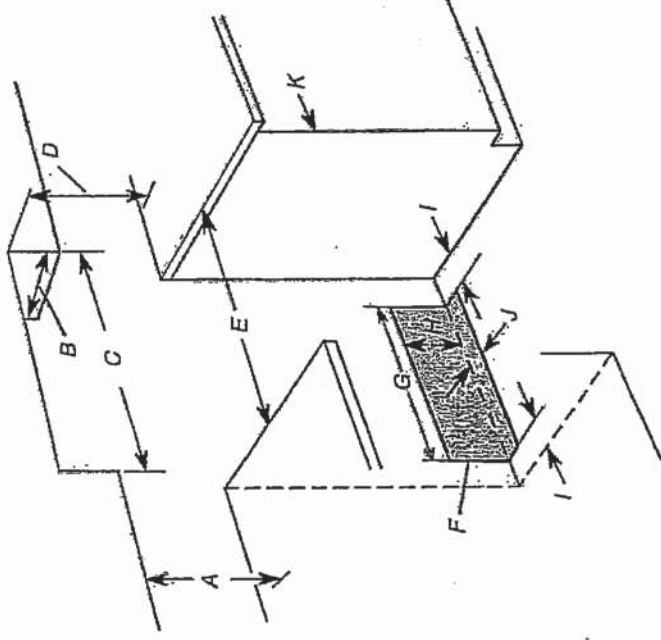
**Slide-In Cutout**



- A. 18" (45.7 cm) upper side cabinet to countertop
- B. 13" (33 cm) max. upper cabinet depth
- C. 30" (76.2 cm) min. opening width
- D. For minimum clearance to top of cooktop, see NOTE\*
- E. 30" (76.2 cm) min. opening width
- F. The shaded area is recommended for installation of grounded outlet.
- G. 13 1/4" (33.3 cm)
- H. 7 1/8" (19.5 cm)
- I. 4 3/8" (12.2 cm)
- J. 3 1/8" (9.4 cm) plus measurement of L
- K. Cabinet door or hinges should not extend into the cutout.
- L. Remaining countertop depth should not exceed 2 1/4" (6.7 cm).

\*NOTE: 24" (61.0 cm) minimum when bottom of wood or metal cabinet is shielded by not less than 1/4" (0.64 cm) flame retardant millboard covered with not less than No. 28 MSG sheet steel, 0.015" (0.4 mm) stainless steel, 0.024" (0.6 mm) aluminum or 0.020" (0.5 mm) copper.

**Freestanding Cutout**



- A. 18" (45.7 cm) upper side cabinet to countertop
- B. 13" (33 cm) max. upper cabinet depth
- C. 30" (76.2 cm) min. opening width
- D. For minimum clearance to top of cooktop, see NOTE\*
- E. 30" (76.2 cm) min. opening width
- F. The shaded area is recommended for installation of grounded outlet.
- G. 13 1/4" (33.3 cm)
- H. 7 1/8" (19.5 cm)
- I. 4 3/8" (12.2 cm)
- J. 3 1/8" (9.4 cm)
- K. Cabinet door or hinges should not extend into the cutout.

J.J. M-S

UK-75 WALLACETON

LOT 24

25-2140 ELEV A

THE WALLACE

29 of 36



### Undercounter Dishwasher

#### PRODUCT MODEL NUMBERS

WDF10PAB  
WDF111PAB  
WDF120PAF  
WDF121PAF  
WDF310PAA  
WDF310PCA

WDF310PLA  
WDF320PAD  
WDF510PAY  
WDF520PAD  
WDF530PAY  
WDF530PLY

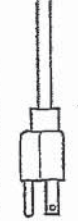
WDE530PSY  
WDF540PAD  
WDF730PAY  
WDT710PAY  
WDT720PAD  
WDT770PAY

**Electrical Requirements:** 120-volt, 60-Hz, AC only, 15- or 20-amp. fused electrical supply. Copper wire only. A time delay fuse or circuit breaker and separate circuit is recommended.

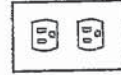
**If direct wiring dishwasher:** Use flexible, armored, or nonmetallic, sheathed copper wire with grounding wire that meets the wiring requirements for your home and local codes and ordinances. Use a UL listed or CSA approved conduit connector.



**If connecting dishwasher with a power supply cord:**



Use Power Supply Cord Kit (Part No. 4317824) marked for use with dishwashers. Follow the kit instructions for installing the power supply cord. Power supply cord must plug into a grounded 3 prong, outlet, located in the cabinet next to the dishwasher opening. Outlet must meet all local codes and ordinances.

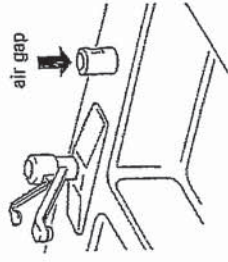


**Water Supply Requirements:** A hot water line with 20 to 120 psi (138 to 862 kPa) water pressure. Water temperature must be 120°F (49°C) water at dishwasher. Use 3/8" O.D. copper tubing with compression fitting or flexible braided water supply line (1/2" minimum plastic tubing is not recommended). Use a 90° elbow with 3/4"N.P.T. external pipe threads on one end. Do not solder within 6" (15.2 cm) from water inlet valve.

**Drain Requirements:** A new drain hose is supplied with your dishwasher. If this is not long enough, use a new drain hose with a maximum length of 12' (3.7 m) (Part No. 3385556) that meets all current AHAM/JAPMO test standards, is resistant to heat and detergent, and fits the 1" (2.5 cm) drain connector of the dishwasher.

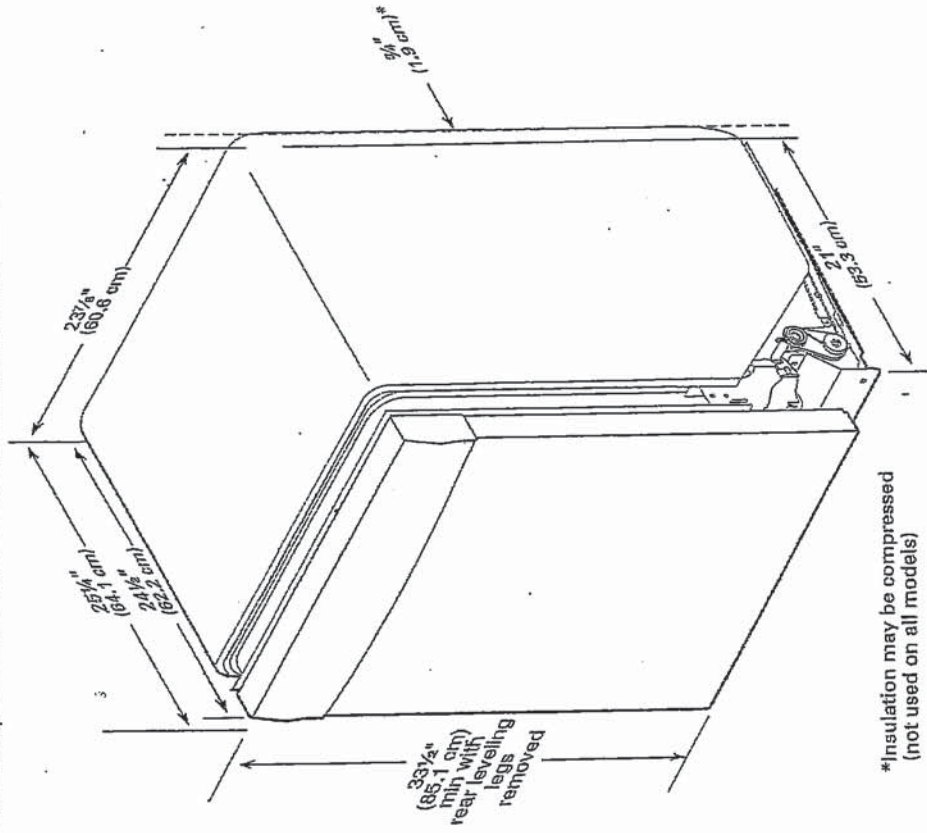
Make sure to connect the drain hose to waste tee or disposer inlet above drain trap in house plumbing and 20" (50.8 cm) minimum above the floor. It is recommended that the drain hose either be looped up and securely fastened to the underside of the counter or be connected to an air gap.

Make sure to use an air gap if the drain hose is connected to house plumbing lower than 20" (50.8 cm) above subfloor or floor.



Use 1/2" (1.3 cm) minimum I.D. drain line fittings. If required, the air gap should be installed in accordance with the air gap installation instructions. When connecting the air gap, a rubber hose (not provided) will be needed to connect to the waste tee or disposer inlet.

#### PRODUCT DIMENSIONS



\*Insulation may be compressed (not used on all models)

D.J. M-J

UK-75 WALLACETON

LOT 24

25-2140 ELEV A

THE WALLACE

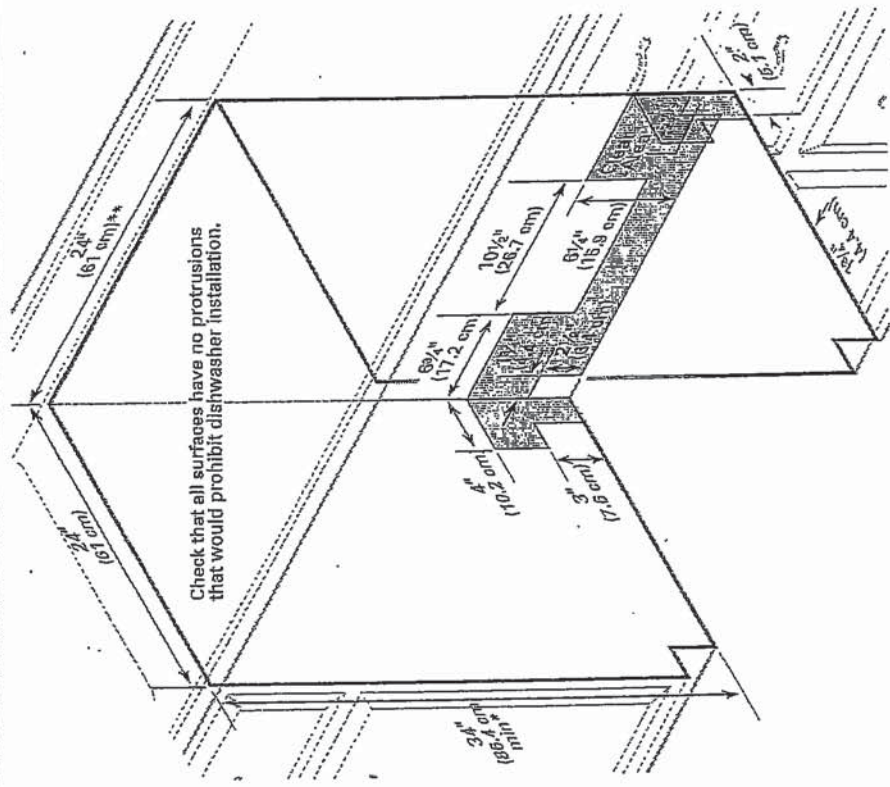
30<sup>1,2</sup> OF 36

CABINET CUTOUT DIMENSIONS

NOTE: Shaded areas of cabinet walls show where utility connections may be installed.

\*Measure from the lowest point on the underside of the countertop. May be reduced to 33½" (85.1 cm) by removing the rear leveling legs from dishwasher.

\*\*Minimum, measured from narrowest point of opening.



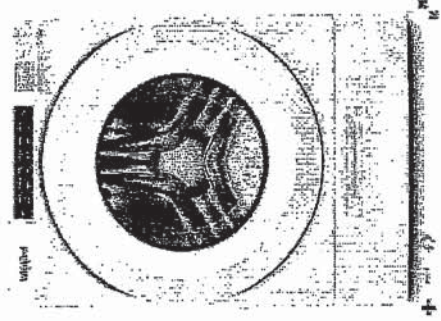
J. J. M-J

UK-75 WALLACETON  
LOT 24  
25-2140 ELEV A  
THE WALLACE

31 of 36

WHIRLPOOL WASHER Model #: WFW5620HW

Whirlpool Brand Canada English | Washers and Dryers | Washers | Front Load Washers | WFW5620HW



5.2 cu. ft. I.E.C. Closet-Depth  
Front Load Washer with  
Load & Go™ Dispenser



Whirlpool  
5.2 cu. ft. I.E.C. Closet-Depth Front Load Washer with Load & Go™  
Dispenser  
Model #: WFW5620HW

**Dimensions**

Depth	80.17 cm, 31-9/16 in
Depth With Door Open 90 Degree	143.51 cm, 56-1/2 in
Minimum Height	98.11 cm, 38-5/8 in
Width	68.58 cm, 27.0 in

**Appearance**

LCD Touch Screen	No
------------------	----

**Window**

Yes

**Details**

Drum Material	Stainless Steel
---------------	-----------------

**Cycles and Options**

Number of Wash Cycles	37
-----------------------	----

**Electrical**

Hz	60
----	----

**Power Cord Included**

Yes

J. J. M.J

UK-75 WALLACETON

LOT 24

25-2140 ELEV A

THE WALLACE

32 of 36

WHIRLPOOL WASHER Model #: WFW5620HW

### LOCATION REQUIREMENTS

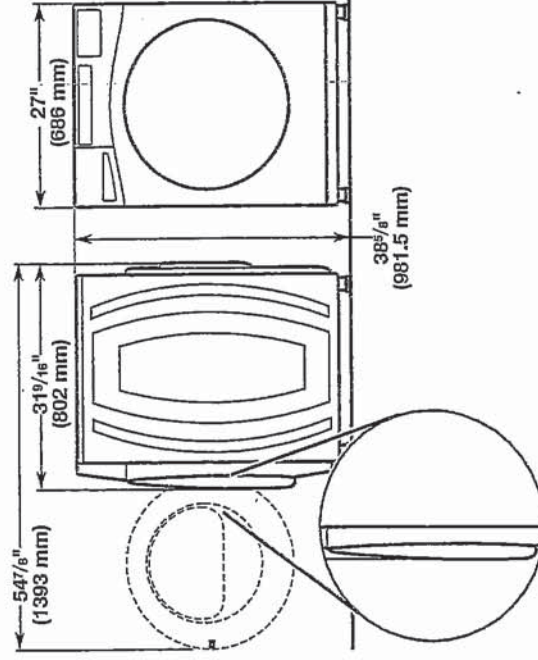
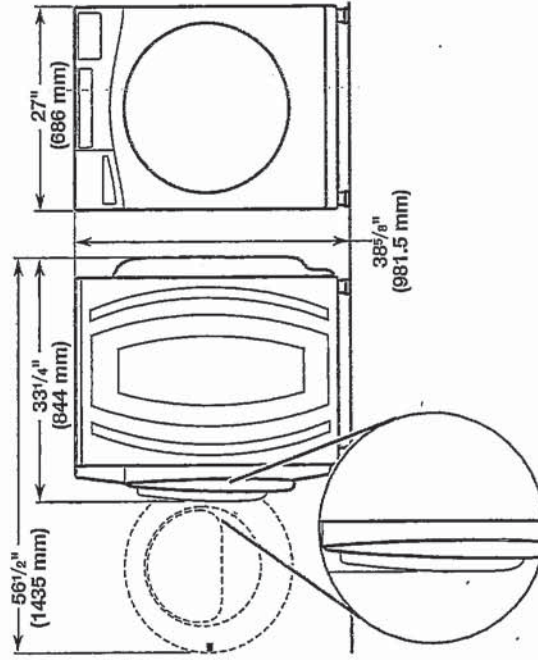
Proper installation is your responsibility.

**You will need:**

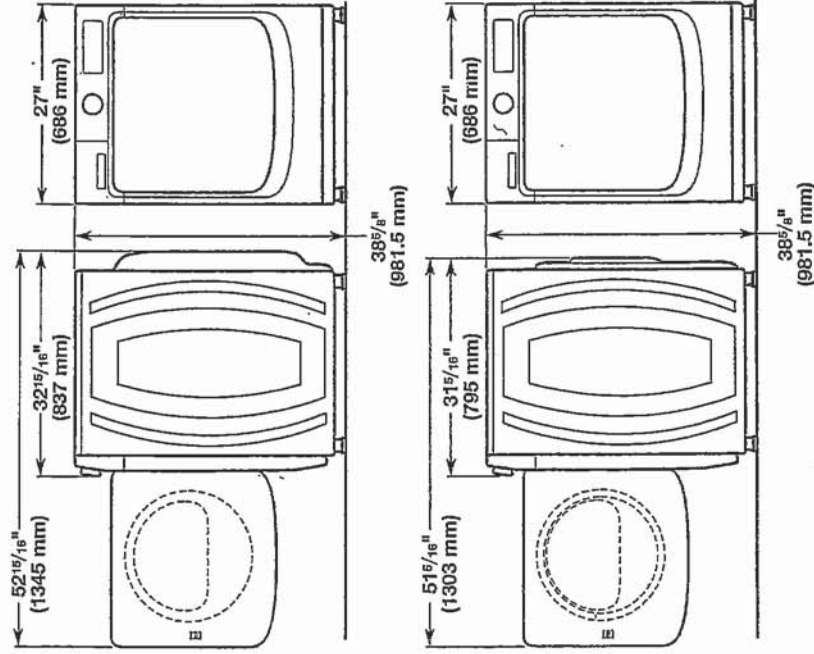
- A water heater set to 120°F (49°C).
- A grounded electrical outlet located within 6 ft (1.8 m) of power cord on back of washer.
- Hot and cold water faucets located within 4 ft (1.2 m) of hot and cold water fill valves on washer, and water pressure of 20–100 psi (137.9–689.6 kPa).
- A level floor with maximum slope of 1" (25 mm) under entire washer. Installing on carpet or surfaces with foam backing is not recommended.
- Floor must support washer's total weight (with water and load) of 315 lbs (143 kgs).

**IMPORTANT:** Do not install, store, or operate washer where it will be exposed to weather or in temperatures below 32°F (0°C). Water remaining in washer after use may cause damage in low temperatures. See "Washer Care" in your Use and Care Guide for winterizing information.

#### Whirlpool Models\*

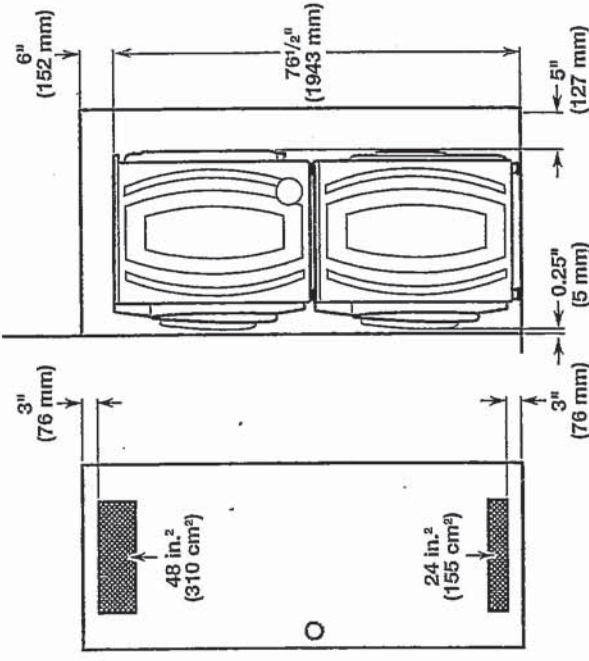


#### Maytag Models



All dimensions show minimum spacing allowed. For each arrangement, consider allowing more space for ease of installation and servicing, and spacing for companion appliances and clearances for walls, doors, and floor moldings. Space must be large enough to allow door to fully open. Add spacing of 1" (25 mm) on all sides of washer to reduce noise transfer. If a closet door or louvered door is installed, top and bottom air openings in door are required.

#### Recessed area or closet installation (stacked washer and dryer):



\*For additional details (or information) specific to your model, refer to the 'Dimensions' listed for your model at [www.whirlpool.com](http://www.whirlpool.com).

J. J. M. J.



UK-75 WALLACETON

LOT 24

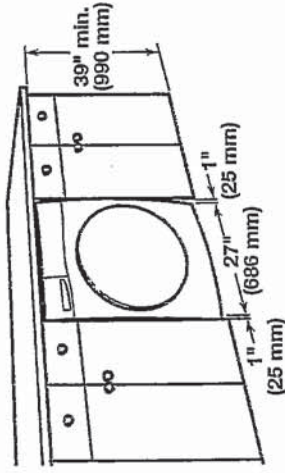
25-2140 ELEV A

THE WALLACE

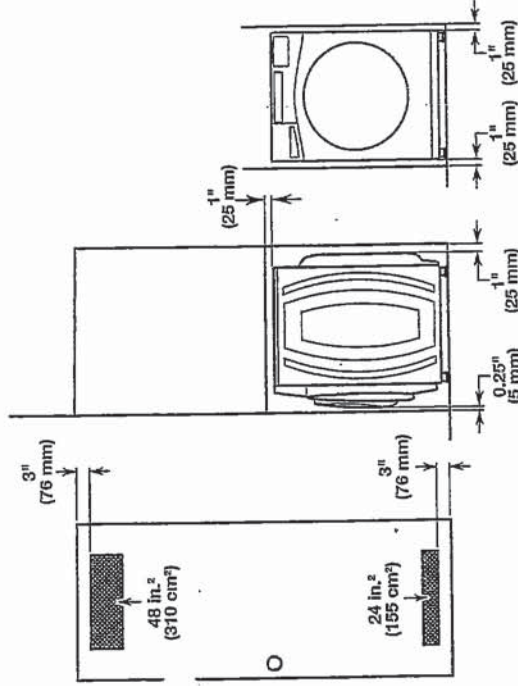
33 of 36

WHIRLPOOL WASHER Model #: WFW5620HW

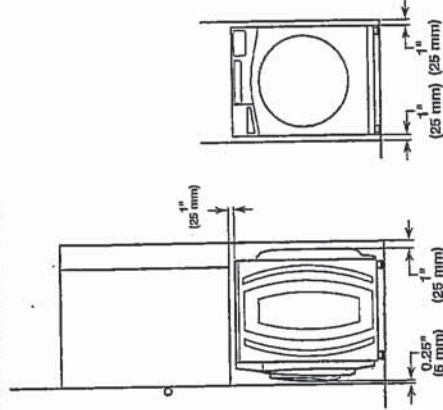
Custom under-counter installation:



Recessed area or closet installation:



Custom cabinet installation:

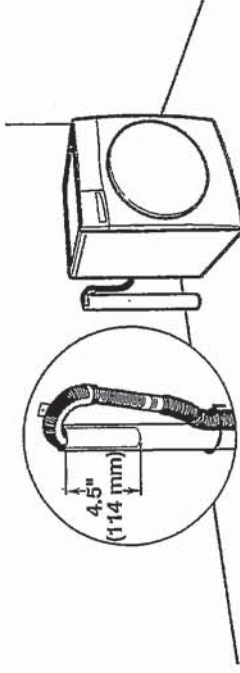


DRAIN SYSTEM

The drain system can be installed using a floor drain, wall standpipe, floor standpipe, or laundry tub. Select the method you need.

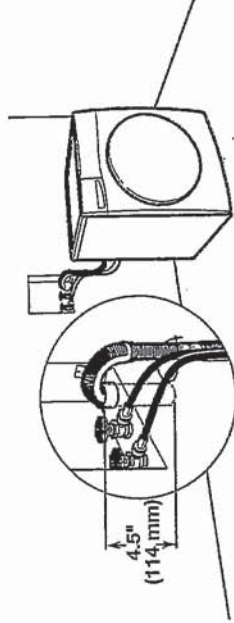
**IMPORTANT:** To avoid siphoning, only 4.5" (114 mm) of drain hose should be inside standpipe. Always secure drain hose with cable tie.

Floor standpipe drain system



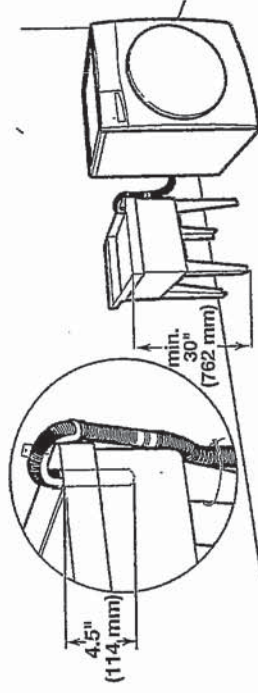
Minimum diameter for a standpipe drain: 2" (51 mm). Minimum carry-away capacity: 17 gal. (64 L) per minute. A 1/4" (6 mm) diameter to 1" (25 mm) diameter Standpipe Adapter Kit is available (Part Number 3363920). Top of standpipe must be at least 30" (762 mm) high; install no higher than 96" (2.44 m) from bottom of washer. If you have an overhead sewer and need to pump higher than 96" (2.44 m), a sump pump and associated hardware are needed. See "Alternate parts."

Wall standpipe drain system



See requirements for floor standpipe drain system.

Laundry tub drain system



Minimum capacity: 20 gal. (76 L). Top of laundry tub must be at least 30" (762 mm) above floor; install no higher than 96" (2.44 m) from bottom of washer.

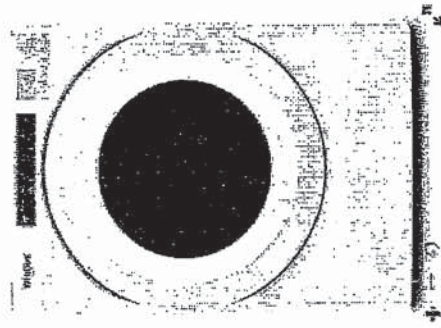
J.J.M.S

UK-75 WALLACETON  
 LOT 24  
 25-2140 ELEV A  
 THE WALLACE

34 of 36

WHIRLPOOL DRYER Model #: YWED5620HW

Whirlpool Brand Canada English | Washers and Dryers | Dryers | Electric Dryers | YWED5620HW



Define Your Style

7.4 cu. ft. Front Load Electric Dryer with Intuitive Touch Controls



Whirlpool

7.4 cu. ft. Front Load Electric Dryer with Intuitive Touch Controls

Model #: YWED5620HW

Dimensions

Depth	78.74 cm, 31.0 in
Depth With Door Open 90 Degree	138.43 cm, 54-1/2 in
Height	98.42 cm, 38-3/4 in
Width	68.58 cm, 27.0 in

Configuration and Overview

Fuel Type	Electric
-----------	----------

Cycles and Options

Cycle Time Remaining	Yes
List Filter Indicator	No
Number of Dryer Cycles	36
Number of Dryness Levels	3

Ventilation System

Long Vent	No
Maximum Vent Length	64
Venting Direction	Left, Right, Bottom, Rear

Electrical

Hz	60
Power Cord Included	Yes

S.J. MJ

UK-75 WALLACETON

LOT 24

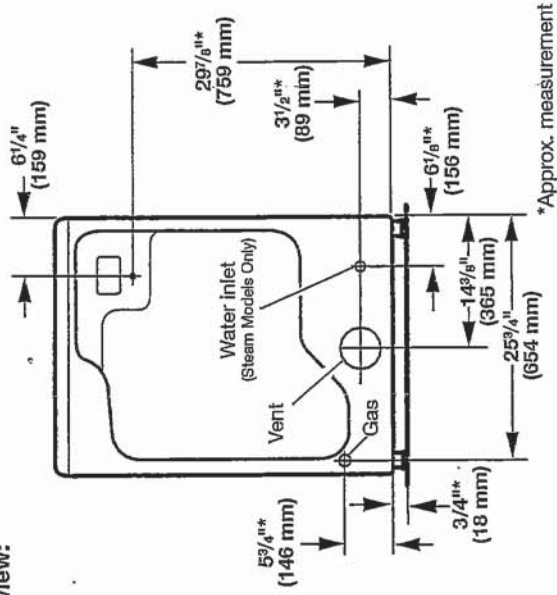
25-2140 ELEV A

THE WALLACE

35 of 36

WHIRLPOOL DRYER Model #: YWED5620HW

Back view:



**NOTE:** Most installations require a minimum of 5" (127 mm) clearance behind dryer for exhaust vent with elbow. See "Venting Requirements."

**Installation Clearances**

For each arrangement, consider allowing more space for ease of installation and servicing, spacing for companion appliances, and clearances for walls, doors, and floor moldings. Space must be large enough to allow door to fully open. Add spacing on all sides of dryer to reduce noise transfer. If a closet door or louvered door is installed, top and bottom air openings in door are required.

Check code requirements. Some codes limit, or do not permit, installation of the dryer in garages, closets, mobile homes, or sleeping quarters. Contact your local building inspector.

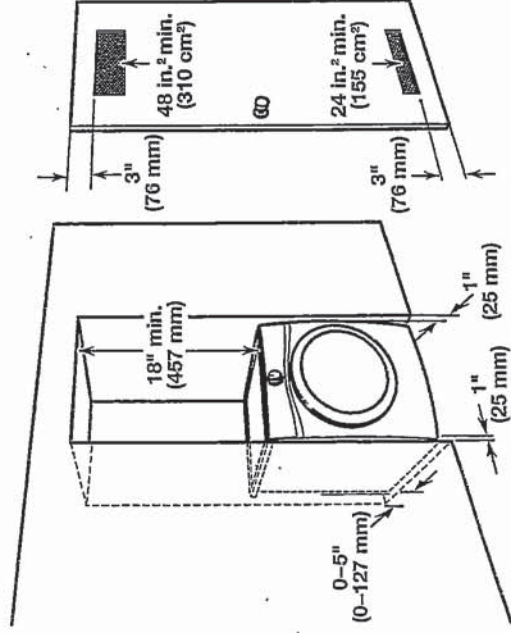
**NOTE:** No other fuel-burning appliance can be installed in the same closet as a dryer.

**Installation spacing for recessed area or closet installation**

All dimensions show recommended and minimum spacing allowed.

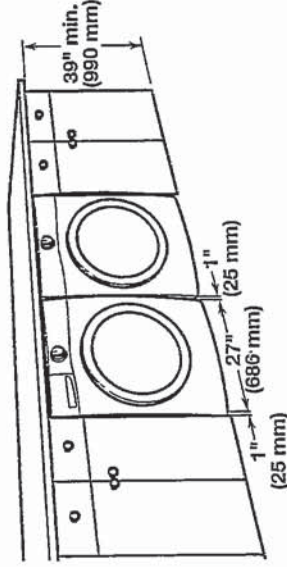
- Additional spacing should be considered for ease of installation and servicing.
- Additional clearances might be required for wall, door, floor moldings, dryer venting, and gas line.
- Additional spacing should be considered on all sides of the dryer to reduce noise transfer.
- For closet installation with a door, minimum ventilation openings in the top and bottom of the door are required. Louvered doors with equivalent ventilation openings are acceptable.
- Companion appliance spacing should also be considered.

Recommended installation clearances (dryer only):



0" (0 mm) rear spacing is allowed for straight back venting only. For steam models only, inlet hose must not be kinked.

Custom under-counter installation:



**Mobile home - Additional installation requirements:**

This dryer is suitable for mobile home installations. The installation must conform to the Manufactured Home Construction and Safety Standard, Title 24 CFR, Part 3280 (formerly the Federal Standard for Mobile home construction and Safety, Title 24, HUD Part 280) or Standard CAN/CSA-Z240 MH.

**Mobile home installations require:**

- Metal exhaust system hardware, available for purchase from your dealer. For further information, see "Assistance or Service" in your Use and Care Guide.
- Special provisions must be made in mobile homes to introduce outside air into dryer. Openings (such as a nearby window) should be at least twice as large as dryer exhaust opening.

**For mobile home installation of gas dryers:**

- Mobile Home Installation Hold-down Kit Part Number 346764 is available to order. For further information, see "Assistance or Service" in your Use and Care Guide.

J.J.M.J

UK-75 WALLACETON

LOT 24

25-2140 ELEV A

THE WALLACE

36 of 36

WHIRLPOOL DRYER Model #: YWED5620HW

Additional parts may be required, depending on your installation. Check local codes. Check existing electrical supply and venting. Read "Electrical Requirements" and "Venting Requirements" before purchasing parts.

**If using a power supply cord:**

Use a UL Listed power supply cord kit marked for use with clothes dryers. The kit should contain:

- A UL Listed 30 amp power supply cord, rated 120/240 volt minimum. The cord should be type SRD or SRDT and be at least 4 ft. (1.22 m) long. The wires that connect to the dryer must end in ring terminals or spade terminals with upturned ends.
- A UL Listed strain relief.

**Optional Equipment (not supplied with dryer):**

Refer to your Use and Care Guide for information about accessories available for your dryer.

**LOCATION REQUIREMENTS**

Check code requirements. Some codes limit, or do not permit, installing dryer in garages, closets, mobile homes, or sleeping quarters. Contact your local building inspector.

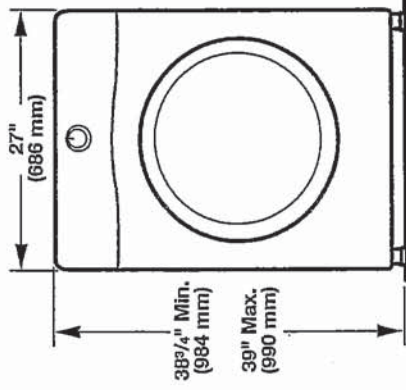
<b>⚠ WARNING</b>
<b>Explosion Hazard</b>
Keep flammable materials and vapors, such as gasoline, away from dryer.
Place dryer at least 18 inches (460 mm) above the floor for a garage installation.
Failure to do so can result in death, explosion, or fire.

**You will need:**

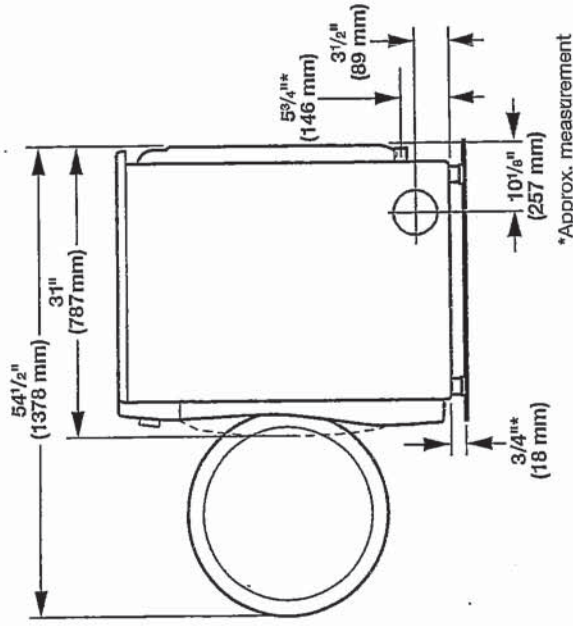
- A location allowing for proper exhaust installation. See "Venting Requirements."
  - A separate 15 or 20 amp circuit for a gas dryer or 30 amp circuit for an electric dryer.
  - If using power supply cord, a grounded electrical outlet located within 2 ft. (610 mm) of either side of dryer. See "Electrical Requirements."
  - Floor must support dryer weight of 200 lbs. (90.7 kg). Also consider weight of companion appliance.
  - Cold water faucets located within 4 ft. (1.2 m) of the water fill valves, and water pressure of 20–120 psi (138–827 kPa). You may use your washer's water supply by purchasing the necessary parts noted in "Parts needed."
  - Level floor with maximum slope of 1" (25 mm) under entire dryer. If slope is greater than 1" (25 mm), install Extended Dryer Feet Kit, Part Number 279810. If not level, clothes may not tumble properly and automatic sensor cycles may not operate correctly.
  - For garage installation, place dryer at least 18" (460 mm) above floor. If using a pedestal, you will need 18" (460 mm) to bottom of dryer.
  - The dryer must not be installed or stored in an area where it will be exposed to water and/or weather.
- IMPORTANT:** Do not operate, install, or store dryer where it will be exposed to water, weather, or at temperatures below 40°F (4°C). Lower temperatures may cause dryer not to shut off at end of automatic sensor cycles, resulting in longer drying times.

**DRYER DIMENSIONS**

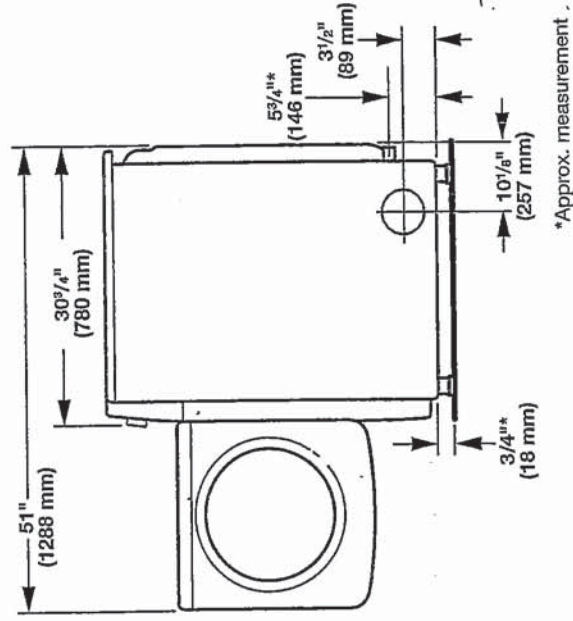
Front view:



Side view:  
Whirlpool Models



Maytag Models



J.C.M.J