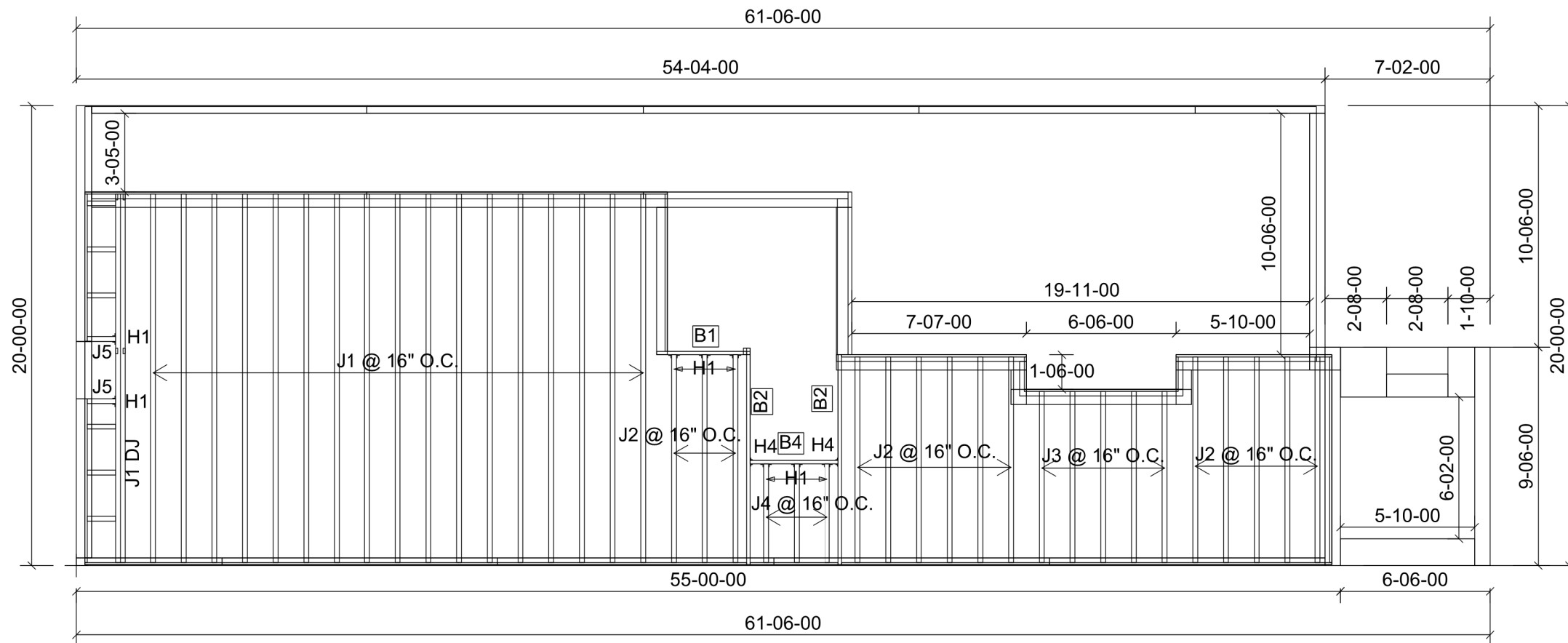


NOT THE GRANTING OF A PERMIT NOR REVIEWING OF SPECS & DRAWINGS NOR INSPECTIONS MADE DURING INSTALLATION BY THE OFFICIAL HAVING JURISDICTION SHALL RELIEVE THE OWNER FROM REQUIREMENTS OF THE ONTARIO BUILDING CODE AND ANY OTHER REFERENCED REQUIREMENTS.



Block 122 Units 43 to 48



FROM PLAN DATED: JUNE 20 2022
 BUILDER: GREEN PARK HOMES
 SITE: BARLASSINA
 MODEL: WILLOW 2
 ELEVATION: 1,2,3
 LOT:
 CITY: CAMBRIDGE
 SALESMAN: William Garcia
 DESIGNER: PL
 REVISION:

REFER TO THE **NORDIC INSTALLATION GUIDE** FOR PROPER STORAGE AND INSTALLATION.
SQUASH BLOCKS OF 2x4, 2x6, 2x8 SPF #2 REQ'D UNDER INTERIOR UNIFORM LOAD BEARING WALLS. **MULTIPLE SQUASH BLOCKS** REQ'D UNDER CONCENTRATED LOADS. SEE FIGURE 1.
CANTILEVERED JOISTS INCLUDING **CANT' OVER BRICK** REQ. I-JOIST BLOCKING ALONG BEARING AND RIMBOARD CLOSURE AT ENDS. SEE FIGURES 4/5 FOR REINFORCEMENT REQUIREMENTS.
 FOR **HOLES** INCLUDING **DUCT CHASE** AND **FIELD CUT OPENINGS** SEE FIGURE 6 AND TABLES 6.1/6.2.
CERAMIC TILE APPLICATION AS PER OBC 9.30.6.

ALL **CONNECTORS** MUST BE INSTALLED AS PER THE **MANUFACTURER'S SPECIFICATIONS** USING THE MANUFACTURER SPECIFIED FASTENERS.
 ALL **BEAM HANGER FASTENERS** INSTALLED INTO THE **SUPPORTING MEMBER** MUST BE A MINIMUM OF **3.5"** IN LENGTH UNLESS OTHERWISE SPECIFIED BY THE SUPPORTING MEMBER ENGINEER OF RECORD.

LOADING:
 LIVE LOAD: 40.0 lb/ft²
 DEAD LOAD: 15.0 lb/ft²
 TILE LOAD: +5.0 lb/ft²

JOIST LL DEFLECTION LIMIT: L/480
 SUBFLOOR: 3/4" GLUED AND NAILED

Products				
PlotID	Length	Product	Plies	Net Qty
J1	18-00-00	11 7/8" NI-40x	1	17
J1 DJ	18-00-00	11 7/8" NI-40x	2	2
J2	10-00-00	11 7/8" NI-40x	1	14
J3	8-00-00	11 7/8" NI-40x	1	5
J4	6-00-00	11 7/8" NI-40x	1	3
J5	2-00-00	11 7/8" NI-40x	1	2
B2	10-00-00	1 3/4" x 11 7/8" (2.0E 3100) WestFraser LVL	1	2
B1	4-00-00	1 3/4" x 11 7/8" (2.0E 3100) WestFraser LVL	1	1
B4	4-00-00	1 3/4" x 11 7/8" (2.0E 3100) WestFraser LVL	1	1

Connector Summary		
Qty	Manuf	Product
6	H1	IUS2.56/11.88
2	H1	IUS2.56/11.88
2	H4	HUS1.81/10

DWG# TF22080976 TO TF22080978

STRUCTURAL COMPONENTS ONLY
 DWG# TF22080984

THIS IS A FLOOR COMPONENT PLACEMENT PLAN ONLY.

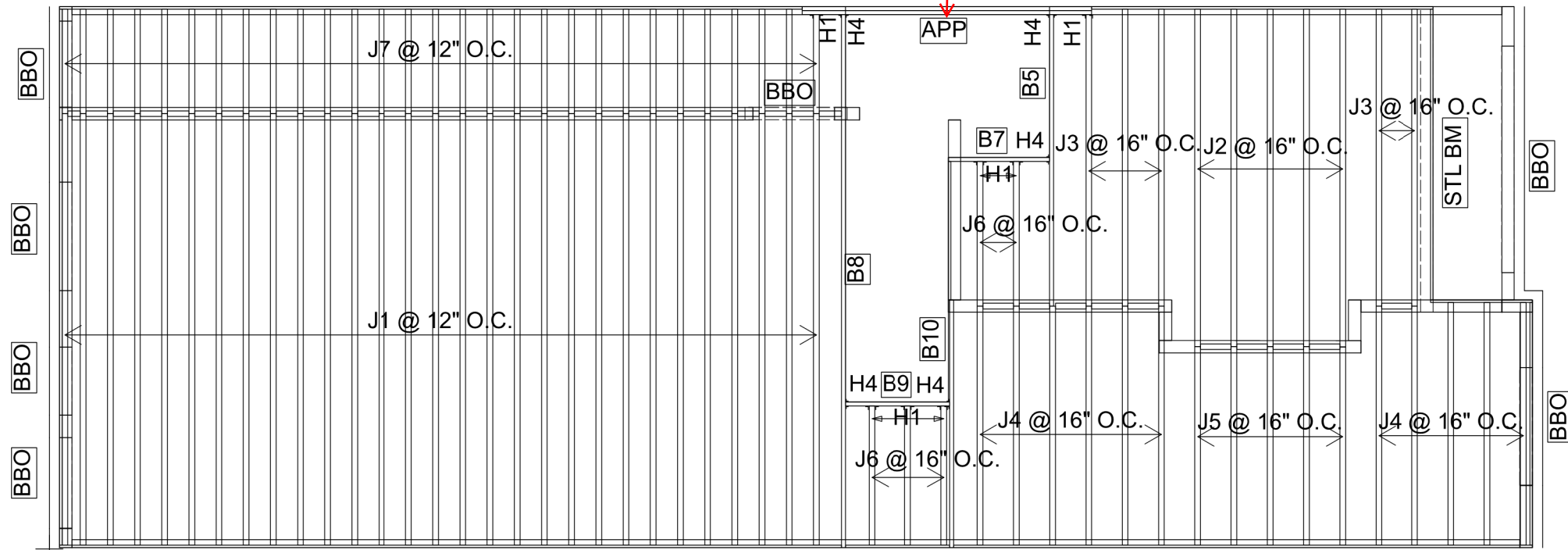
The wood beams and joists outlined on this plan are designed as individual building components to be incorporated into the design of the building at the specification of the building designer. Please see the individual beam reports, joist reports, and/or joist span tables for each component identified on this placement plan.
 The supporting structure is to be specified by the building designer prior to the installation of joist(s) and/or beam(s). The building designer is responsible for the bracing of the floor system and its integration into the bracing of the overall structure. All components labelled "by others" or "as per plan", and all steel beams, are not within the scope of work of this seal.
 The building designer must review and approve this plan to ascertain conformity to the overall structural plan of the building. All dimensions to be verified on site.

DATE: 2022-08-11

1st FLOOR FRAMING

NOT THE GRANTING OF A PERMIT NOR REVIEWING OF SPECS & DRAWINGS NOR INSPECTIONS MADE DURING INSTALLATION BY THE OFFICIAL HAVING JURISDICTION SHALL RELIEVE THE OWNER FROM REQUIREMENTS OF THE ONTARIO BUILDING CODE AND ANY OTHER REFERENCED REQUIREMENTS.

APP DOES NOT APPLY TO FIREWALL UNITS



Block 122 Units 43 to 48



FROM PLAN DATED: JUNE 20 2022
 BUILDER: GREEN PARK HOMES
 SITE: BARLASSINA
 MODEL: WILLOW 2
 ELEVATION: 1,2,3
 LOT:
 CITY: CAMBRIDGE
 SALESMAN: William Garcia
 DESIGNER: PL
 REVISION:

Products				
PlotID	Length	Product	Plies	Net Qty
J1	16-00-00	11 7/8" NI-40x	1	29
J2	14-00-00	11 7/8" NI-40x	1	5
J3	12-00-00	11 7/8" NI-40x	1	5
J4	10-00-00	11 7/8" NI-40x	1	11
J5	8-00-00	11 7/8" NI-40x	1	5
J6	6-00-00	11 7/8" NI-40x	1	5
J7	4-00-00	11 7/8" NI-40x	1	29
B8	20-00-00	1 3/4" x 11 7/8" (2.0E 3100) WestFraser LVL	1	1
B5	12-00-00	1 3/4" x 11 7/8" (2.0E 3100) WestFraser LVL	1	1
APP	12-00-00	1 3/4" x 11 7/8" (2.0E 3100) WestFraser LVL	2	2
B10	10-00-00	1 3/4" x 11 7/8" (2.0E 3100) WestFraser LVL	1	1
B7	4-00-00	1 3/4" x 11 7/8" (2.0E 3100) WestFraser LVL	1	1
B9	4-00-00	1 3/4" x 11 7/8" (2.0E 3100) WestFraser LVL	1	1

Connector Summary		
Qty	Manuf	Product
5	H1	IUS2.56/11.88
2	H1	IUS2.56/11.88
3	H4	HUS1.81/10
2	H4	HUS1.81/10

DWG# TF22080979 TO TF22080983



STRUCTURAL COMPONENTS ONLY
 DWG# TF22080985

THIS IS A FLOOR COMPONENT PLACEMENT PLAN ONLY.
 The wood beams and joists outlined on this plan are designed as individual building components to be incorporated into the design of the building at the specification of the building designer. Please see the individual beam reports, joist reports, and/or joist span tables for each component identified on this placement plan.
 The supporting structure is to be specified by the building designer prior to the installation of joist(s) and/or beam(s). The building designer is responsible for the bracing of the floor system and its integration into the bracing of the overall structure. All components labelled "by others" or "as per plan", and all steel beams, are not within the scope of work of this seal.
 The building designer must review and approve this plan to ascertain conformity to the overall structural plan of the building. All dimensions to be verified on site.

DATE: 2022-08-11

2nd FLOOR FRAMING

REFER TO THE **NORDIC INSTALLATION GUIDE** FOR PROPER STORAGE AND INSTALLATION.
SQUASH BLOCKS OF 2x4, 2x6, 2x8 SPF #2 REQ'D UNDER INTERIOR UNIFORM LOAD BEARING WALLS.
MULTIPLE SQUASH BLOCKS REQ'D UNDER CONCENTRATED LOADS. SEE FIGURE 1.
CANTILEVERED JOISTS INCLUDING **CANT' OVER BRICK** REQ. I-JOIST BLOCKING ALONG BEARING AND RIMBOARD CLOSURE AT ENDS. SEE FIGURES 4/5 FOR REINFORCEMENT REQUIREMENTS.
 FOR **HOLES** INCLUDING **DUCT CHASE** AND **FIELD CUT OPENINGS** SEE FIGURE 6 AND TABLES 6.1/6.2.
CERAMIC TILE APPLICATION AS PER OBC 9.30.6.

ALL **CONNECTORS** MUST BE INSTALLED AS PER THE **MANUFACTURER'S SPECIFICATIONS** USING THE MANUFACTURER SPECIFIED FASTENERS.
 ALL **BEAM HANGER FASTENERS** INSTALLED INTO THE **SUPPORTING MEMBER** MUST BE A MINIMUM OF **3.5"** IN LENGTH UNLESS OTHERWISE SPECIFIED BY THE SUPPORTING MEMBER ENGINEER OF RECORD.

LOADING:
 LIVE LOAD: 40.0 lb/ft²
 DEAD LOAD: 15.0 lb/ft²
 TILE LOAD: +5.0 lb/ft²

JOIST LL DEFLECTION LIMIT: L/480
 SUBFLOOR: 5/8" GLUED AND NAILED

NORDIC

INSTALLATION GUIDE NORDIC JOIST

NS-G133
ENGLISH
VERSION
2020-10-01

Engineered Wood Products BASIC INSTALLATION GUIDE FOR RESIDENTIAL FLOORS



NORDIC STRUCTURES

nordic.ca

INSTALLING NORDIC I-JOISTS

- Installation of Nordic I-joists shall be as shown in details 1.
- Except for cutting to length, I-joist flanges should never be cut, drilled or notched.
- Install I-joists so that top and bottom flanges are within 1/2 inch of true vertical alignment.
- Concentrated loads should only be applied to the top surface of the top flange. Concentrated loads should not be suspended from the bottom flange with the exception of light loads, such as ceiling fans or light fixtures.
- I-joists must be protected from the weather prior to installation.
- I-joists must not be used in applications where they will be permanently exposed to weather, or will reach a moisture content of 15 percent or greater, such as in swimming pool or hot tub areas. They must not be installed where they will remain in direct contact with concrete or masonry.
- End bearing length must be at least 1-3/4 inch. For multiple-span joists, intermediate bearing length must be at least 3-1/2 inches.
- Ends of floor joists shall be restrained to prevent rollover. Use rim board or I-joist blocking panels.
- I-joists installed beneath bearing walls perpendicular to the joists shall have full-depth blocking panels, rim board, or squash blocks (cripple blocks) to transfer gravity loads from above the floor system to the wall or foundation below.
- For I-joists installed directly beneath bearing walls parallel to the joists or used as rim board or blocking panels, the maximum vertical load using a single I-joist is 3,300 plf, and 6,000 plf if double I-joists are used.
- Continuous lateral support of the I-joist's compression flange is required to prevent rotation and buckling. In simple span uses, lateral support of the top flange is normally supplied by the floor sheathing. In multiple-span or cantilever applications, bracing of the I-joist's bottom flange is also required at interior supports of multiple-span joists, and at the end support next to the cantilever extension. The ends of all cantilever extensions must be laterally braced as shown in details 3, 4, or 5.
- Nails installed in flange face or edge shall be spaced in accordance with the applicable building code requirements or approved building plans, but should not be closer than those specified on page 3.3 of the Nordic Joist Technical Guide (NS-GT3).
- Details 1 show only I-joist-specific fastener requirements. For other fastener requirements, see the applicable building code.
- For proper temporary bracing of wood I-joists and placement of temporary construction loads, see [APA Technical Note: Temporary Construction Loads over I-Joist Roofs and Floors, Form J735](#).

All nails shown in the details are assumed to be common nails unless otherwise noted. Nails shall have a diameter not less than 0.128 inch for 2-1/2-inch nails, or 0.144 inch for 3-inch nails. Individual components not shown to scale for clarity.

SAFETY AND CONSTRUCTION PRECAUTIONS

- I-joists are not stable until completely installed, and will not carry any load until fully braced and sheathed.
- Avoid Accidents by Following these Important Guidelines:**
- Brace and nail each I-joist as it is installed, using hangers, blocking panels, rim board, and/or cross-briding at joint ends. When I-joists are applied continuous over interior supports and a load-bearing wall is planned at that location, blocking will be required at the interior support.
 - When the building is completed, the floor sheathing will provide lateral support for the top flanges of the I-joists. Until this sheathing is applied, temporary bracing, often called struts, or temporary sheathing must be applied to prevent I-joist rollover or buckling.
 - Temporary bracing or struts must be 1x4 inch minimum, at least 8 feet long and spaced no more than 8 feet on centre, and must be secured with a minimum of two 2-1/2-inch nails fastened to the top surface of each I-joist. Nail the bracing to a lateral restraint at the end of each bay. Lap ends of adjoining bracing over at least two I-joists.
 - Or, sheathing (temporary or permanent) can be nailed to the top flange of the first 4 feet of I-joists at the end of the bay.
 - For cantilevered I-joists, brace top and bottom flanges, and brace ends with closure panels, rim board, or cross-bridging.
 - Install and fully nail permanent sheathing to each I-joist before placing loads on the floor system. Then, stack building materials over beams or walls only.
 - Never install a damaged I-joist.
- Improper storage or installation, failure to follow applicable building codes, failure to follow span ratings for Nordic I-joists, failure to follow allowable hole sizes and locations, or failure to use web stiffeners when required can result in serious accidents. Follow these installation guidelines carefully.



Do not walk on I-joists until fully fastened and braced, or serious injuries can result.



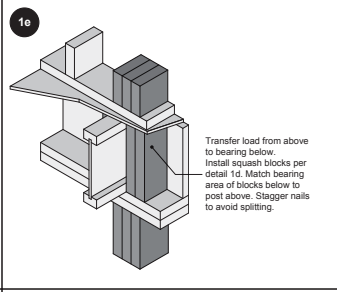
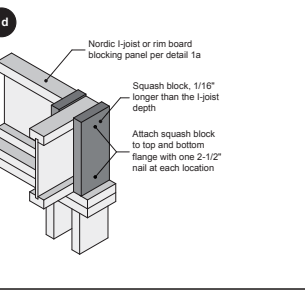
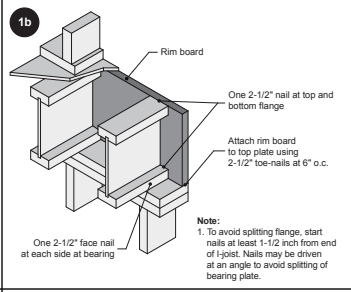
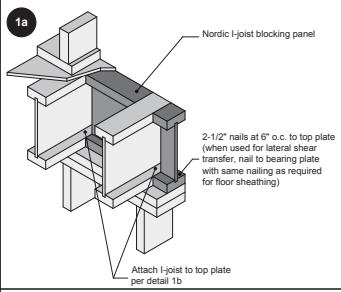
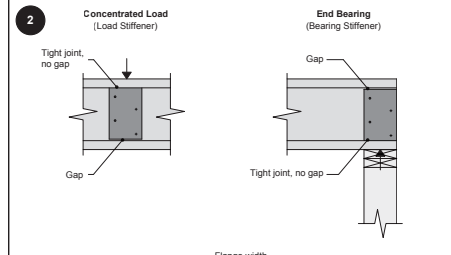
Never stack building materials over unsheathed I-joists. Once sheathed, do not over-stress I-joist with concentrated loads from building materials.

NORDIC I-JOIST SERIES RESIDENTIAL SERIES

Series	Depth (in.)	Flange Width (in.)	Flange Spacing (in.)	Fasteners
NI-20	2x3	2100F MSR	3/8 in. web	2x3 S-P F No. 2 3/8 in. web
NI-40x	2x3	1950F MSR	3/8 in. web	2x3 1950F MSR 3/8 in. web
NI-60	2x3	2100F MSR	3/8 in. web	2x3 2100F MSR 3/8 in. web
NI-80	2x4	2100F MSR	3/8 in. web	2x4 2100F MSR 3/8 in. web
NI-90	2x4	2400F MSR	7/16 in. web	2x4 2400F MSR 7/16 in. web

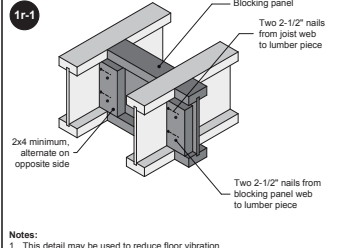
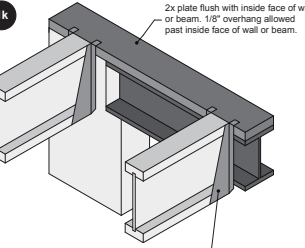
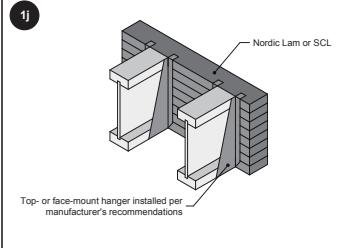
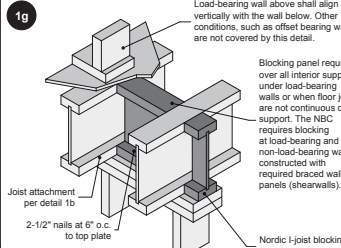
Width Length: 1-1/8 in. 16 ft
Depth: 9-1/2 to 16 in.
APA Rim Board Plus

WEB STIFFENERS



Stiffener Size Requirements

Flange width (in.)	Web stiffener size each side of web (in.)
2-1/2	1 x 2-5/16 Minimum width
3-1/2	1-1/2 x 2-5/16 Minimum width

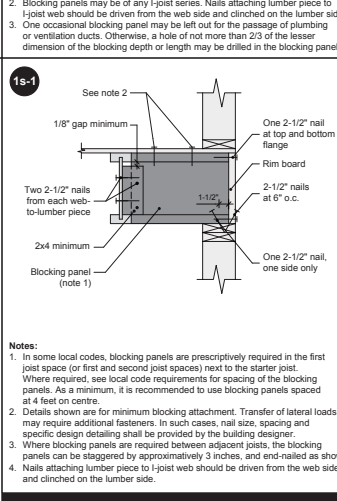
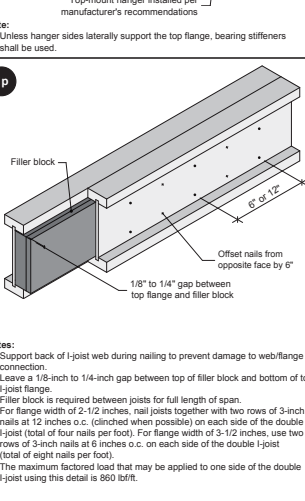
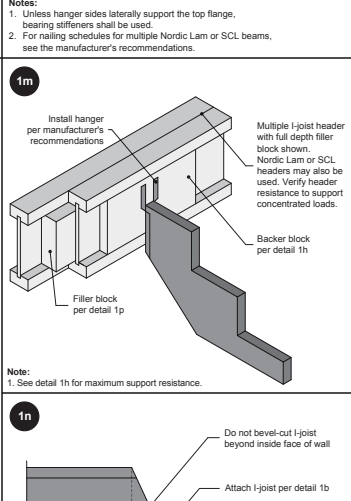
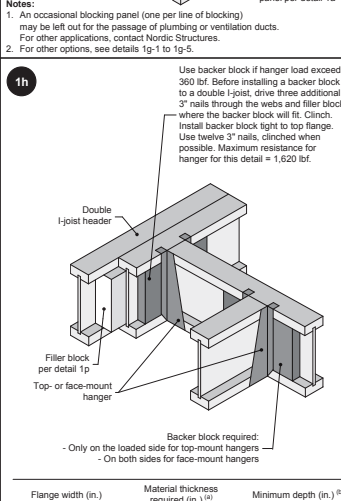


NAIL SPACING

Recommended Closest Nail Spacing for Fastening Sheathing to I-joist Flanges to Minimize Splitting

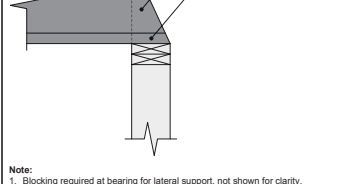
Fastener size (diameter x length)	Flange face nailing		Flange edge nailing	
	End distance (in.)	Nail spacing (in.)	End distance (in.)	Nail spacing (in.)
0.125" or smaller in diameter, and 3-1/4" or shorter in length	2	2	2	4
Greater than 0.125" up to 0.148" in diameter, and 3-1/4" or shorter in length	2	3	2	6

End distance is measured from one flange edge. Nails on opposite flange edge must be offset one-half the minimum spacing.



Filler Block Requirements for Double I-joist Construction

Flange width (in.)	Net depth (in.)	Filler block size (in.)	Example
2-1/2	9-1/2	2-1/8 to 2-1/4 x 6	2x8 x 5/8" or 3/4" sheathing
3-1/2	11-7/8	2-1/8 to 2-1/4 x 8	2x8 x 5/8" or 3/4" sheathing
	14	2-1/8 to 2-1/4 x 10	2x10 x 5/8" or 3/4" sheathing
	16	2-1/8 to 2-1/4 x 12	2x12 x 5/8" or 3/4" sheathing



Notes:

- Support back of I-joist web during nailing to prevent damage to web/flange connection.
- Leave a 1/8-inch to 1/4-inch gap between top of filler block and bottom of top I-joist flange.
- Filler block is required between joists for full length of span.
- For flange width of 2-1/2 inches, nail joists together with two rows of 3-inch nails at 12 inches o.c. (clinched when possible) on each side of the double I-joist (total of four nails per foot). For flange width of 3-1/2 inches, use two rows of 3-inch nails at 6 inches o.c. on each side of the double I-joist (total of eight nails per foot).
- The maximum factored load that may be applied to one side of the double I-joist using this detail is 800 bbf.

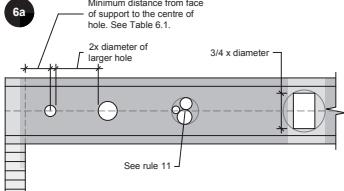
This document supersedes all previous versions. For the latest version, consult nordic.ca or contact Nordic Structures.

FOR ALL construction details →DC3

WEB HOLES AND OPENINGS

WEB HOLES IN I-JOISTS

- Rules for Cutting Holes in I-joists**
- The distance between the inside edge of the support and the centreline of any hole shall be in compliance with the requirements of Table 6.1.
 - I-joist top and bottom flanges must never be cut, notched or otherwise modified.
 - Whenever possible, field-cut holes should be centred on the middle of the web.
 - The maximum size hole that can be cut into an I-joist web shall equal the clear distance between the flanges of the I-joist minus 1/4 inch. A minimum of 1/8 inch should always be maintained between the top or bottom of the opening and the adjacent I-joist flange.
 - The sides of square holes or longest sides of rectangular holes should not exceed 3/4 of the diameter of the maximum round hole permitted at that location.
 - Where more than one hole is necessary, the distance between adjacent hole edges shall exceed twice the diameter of the largest round hole or twice the size of the largest square hole - or twice the length of the longest side of the largest rectangular hole - and each hole must be sized and located in compliance with the requirements of Table 6.1.
 - Holes measuring 1-1/2 inch or smaller shall be permitted anywhere in a cantilevered section of a joist. Holes of greater size may be permitted subject to verification.
 - A 1-1/2 inch hole or smaller can be placed anywhere in the web provided that it meets the requirements of rule number 6 above.
 - All holes shall be cut in accordance with the restrictions listed above and as illustrated in detail 6a.
 - Limit three maximum-size holes per span.
 - A group of round holes at approximately the same location shall be permitted if it meets the requirements for a single round hole circumscribed around them.



- Notes:**
- Never drill, cut or notch the flange, or over-cut the web.
 - Holes in web should be cut with a sharp saw.
 - For rectangular holes, avoid over-cutting the corners, as this can cause unnecessary stress concentrations. Slightly rounding the corners is recommended. Starting the rectangular hole by drilling a 1-inch-diameter hole in each of the four corners and then making the cuts between the holes is another good method to minimize damage to the I-joist.

DUCT CHASE OPENINGS

- Rules for Cutting Duct Chase Openings in I-joists**
- The distance between the inside edge of the support and the centreline of a duct chase opening shall be in compliance with the requirements of Table 6.2.
 - I-joist top and bottom flanges must never be cut, notched or otherwise modified.
 - The maximum depth of a duct chase opening that can be cut into an I-joist web shall equal the clear distance between the flanges of the I-joist minus 1/4 inch. A minimum of 1/8 inch should always be maintained between the top or bottom of the opening and the adjacent I-joist flange.
 - All openings shall be cut in accordance with the restrictions listed above and as illustrated in detail 6b.
 - Limit one maximum-size duct chase opening per span.

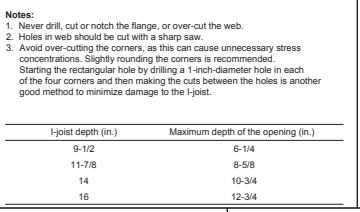


Table 6.2 - LOCATION OF DUCT CHASE OPENINGS

I-joist depth (in.)	Maximum depth of the opening (in.)
9-1/2	6-1/4
11-7/8	8-5/8
14	10-3/4
16	12-3/4

HOLES IN BLOCKING PANELS

- Maximum Allowable Hole Size in Lateral-restraint-only Blocking Panels**
- The maximum allowable hole size for a lateral-restraint-only blocking panel is 2/3 of the lesser dimension of the blocking's depth or length. Assuming the blocking panel is longer than its height (or depth), the table aside applies. For other applications, contact Nordic Structures.
 - Holes cut into the blocking panels are subject to the following limitations:
 - The top and bottom flanges of an I-joist blocking panel must never be cut, notched or otherwise modified.
 - Field-cut holes must be centred in the blocking horizontally.
 - While round holes are preferred, rectangular holes may be used provided the corners are not over cut. Slightly rounding corners or pre-drilling corners with a 1-inch-diameter bit is recommended.
 - All holes must be cut in a workman-like manner in accordance with the limitations listed above.

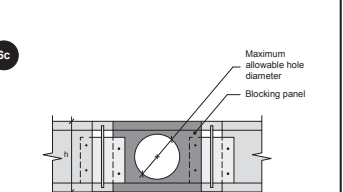
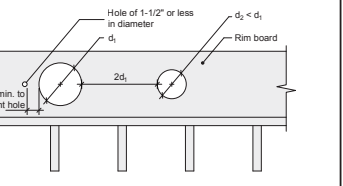
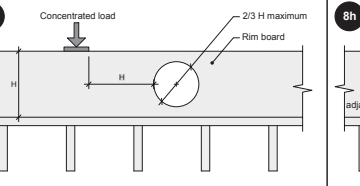
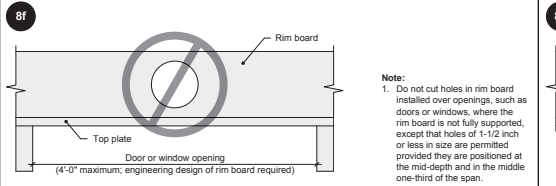
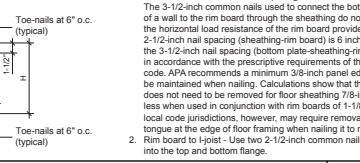
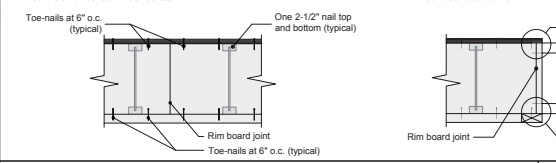


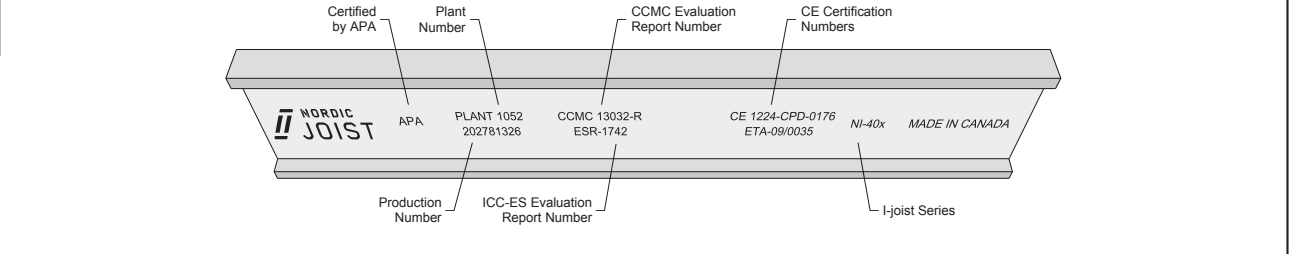
Table 6.1 - LOCATION OF WEB HOLES

Joist series	Round hole diameter (in.)															
	2	3	4	5	6	6-1/4	7	8	8-5/8	9	10	10-3/4	11	12	12-3/4	
9-1/2"	NI-20	0-7"	1-6"	2-10"	4-3"	5-8"	6-0"	6-4"	-	-	-	-	-	-	-	-
	NI-40x	0-7"	1-6"	3-0"	4-4"	6-0"	6-4"	-	-	-	-	-	-	-	-	-
	NI-60	1-3"	2-6"	4-0"	5-4"	7-0"	7-5"	-	-	-	-	-	-	-	-	-
	NI-80	2-3"	3-6"	5-0"	6-4"	8-2"	8-8"	-	-	-	-	-	-	-	-	-
	NI-20	0-7"	0-8"	1-0"	2-4"	3-8"	4-0"	5-0"	6-6"	7-9"	-	-	-	-	-	-
	NI-40x	0-7"	0-8"	1-3"	2-8"	4-0"	4-4"	5-5"	7-0"	8-4"	-	-	-	-	-	-
	NI-60	0-7"	1-8"	3-0"	4-3"	5-9"	6-0"	7-3"	8-10"	10-0"	-	-	-	-	-	-
	NI-80	1-6"	2-10"	4-2"	5-6"	7-0"	7-5"	8-6"	10-3"	11-4"	-	-	-	-	-	-
	NI-90	0-7"	0-8"	1-5"	3-2"	4-10"	5-4"	6-9"	8-9"	10-2"	-	-	-	-	-	-
	NI-40x	0-7"	0-8"	0-8"	1-0"	2-4"	2-9"	3-9"	5-2"	6-0"	6-6"	8-3"	10-2"	-	-	-
	NI-60	0-7"	0-8"	1-8"	3-0"	4-3"	4-8"	5-8"	7-2"	8-0"	8-8"	10-4"	11-9"	-	-	-
	NI-80	0-10"	2-0"	3-4"	4-9"	6-2"	6-5"	7-6"	9-0"	10-0"	10-8"	12-4"	13-9"	-	-	-
	NI-90	0-7"	0-8"	0-10"	2-5"	4-0"	4-5"	5-9"	7-5"	8-8"	9-4"	11-4"	12-11"	-	-	-
	NI-60	0-7"	0-8"	0-8"	1-6"	2-10"	3-2"	4-2"	5-6"	6-4"	7-0"	8-5"	9-8"	10-2"	12-2"	13-9"
	NI-80	0-7"	1-3"	2-6"	3-10"	5-3"	5-6"	6-6"	8-0"	9-0"	9-5"	11-0"	12-3"	12-9"	14-5"	16-0"
	NI-90	0-7"	0-8"	0-8"	1-9"	3-3"	3-8"	4-8"	6-5"	7-5"	8-0"	9-10"	11-3"	11-9"	13-5"	15-4"

RIM BOARDS



I-JOIST MARKING





BUILDER: **GREEN PARK HOMES**
 SITE: **BARLASSINA**
 MODEL: **WILLOW 2**
 CITY: **CAMBRIDGE**

Job Name: **WILLOW 2**
 Level: **1ST FLOOR**
 Label: **B1 - i3329**
 Type: **Beam**

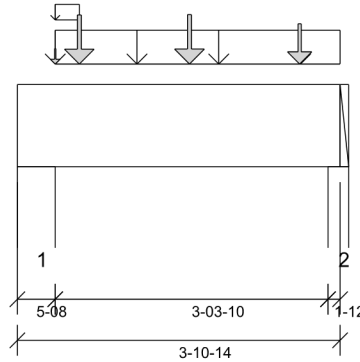
1 Ply Member
1 3/4" x 11 7/8" (2.0E 3100)
WestFraser LVL

Status:
Design Passed

Illustration Not to Scale. Pitch: 0/12

Designed by Single Member Design Engine in MiTek® Structure Version 8.5.3.233.Update5.15

Report Version: 2021.03.26 08/16/2022 14:12



DESIGN INFORMATION

Building Code: NBCC 2015, Part9, BCBC 2018, ABC 2019, OBC 2012 (2019 Amendment)
 Design Methodology: LSD
 Service Condition: Dry
 LL Deflection Limit: L/360,
 TL Deflection Limit: L/240,

Lateral Restraint Requirements:

Both ends of the member and the outer supports must be laterally restrained. Top and bottom edges of the member must be fully restrained or have the following maximum unbraced length:

Top: 0' Bottom: 1'- 1 1/2"

Factored Resistance of Support Material:

- 615 psi Wall @ 0'- 4 1/2"
- 615 psi Wall @ 3'- 10 1/8"

ANALYSIS RESULTS

Design Criteria	Location	Load Combination	LDF	Design	Limit	Result
Factored Pos. Moment:	2'- 1"	1.25D + 1.5L	1.00	1407 lb ft	17672 lb ft	Passed - 8%
Factored Shear:	1'- 5 3/8"	1.25D + 1.5L	1.00	1471 lb	6908 lb	Passed - 21%

SUPPORT AND REACTION INFORMATION

ID	Input Bearing Length	Controlling Load Combination	LDF	Factored Downward Reaction	Factored Uplift Reaction	Factored Resistance of Member	Factored Resistance of Support	Result
1	5-08	1.25D + 1.5L	1.00	1635 lb		10010 lb	5921 lb	Passed - 28%
2	1-12	1.25D + 1.5L	1.00	1577 lb		3185 lb	1884 lb	Passed - 84%

SPECIFIED LOADS

Type	Start Loc	End Loc	Source	Face	Dead (D)	Live (L)	Snow (S)	Wind (W)
Self Weight	0'	3'- 10 7/8"	Self Weight	Top	6 lb/ft	-	-	-
Uniform	0'- 5 1/2"	3'- 10 7/8"	User Load	Back	120 lb/ft	240 lb/ft	-	-
Uniform	0'- 5 1/2"	0'- 9"	FC1 Floor Decking (Plan View Fill)	Top	2 lb/ft	3 lb/ft	-	-
Point	0'- 9"	0'- 9"	J2(i3628)	Front	122 lb	243 lb	-	-
Point	2'- 1"	2'- 1"	J2(i3629)	Front	123 lb	245 lb	-	-
Point	3'- 5"	3'- 5"	J2(i3630)	Front	90 lb	180 lb	-	-
Point	0'- 5 1/2"	0'- 5 1/2"	FC1 Floor Decking (Plan View Fill)	Top	1 lb	1 lb	-	-

UNFACTORED REACTIONS

ID	Start Loc	End Loc	Source	Dead (D)	Live (L)	Snow (S)	Wind (W)
1	0'	0'- 5 1/2"	1(i25)	390 lb	754 lb	-	-
2	3'- 9 1/8"	3'- 10 7/8"	2(i26)	382 lb	743 lb	-	-

DESIGN NOTES

- The dead loads used in the design of this member were applied to the structure as sloped dead loads.
- Analysis and Design has been performed using precision loading from actual modeled conditions. Some loads may have been modified to simplify reporting.
- Tributary Loads have been generated based on actual spacing between members in the model which may differ from the default system spacing. The actual loads applied to the member are shown in the Specified Loads table.
- Transfer reactions may differ from design results as allowed per building codes and standard load distribution practices.
- This report is based on modeled conditions input by the user. Source information for the loads and supports are provided for reference only. Verify that all loads and support conditions are correct.
- Review all loads and reactions to ensure that the member/bearing/connector/structure can resist adequately. Unless already specified on this report, anchorage for uplift reactions to be specified by others. Installation of member and accessories (if required) as per manufacturer's instruction.
- When the applied loads are coming from a member/post/wall above that does not sit directly on this beam, adequate load transfer elements, such as squash blocks, wall studs, or beveled plates are required to transfer the loads to this beam.



STRUCTURAL COMPONENT ONLY
 DWG # TF22080976



BUILDER: **GREEN PARK HOMES**
 SITE: **BARLASSINA**
 MODEL: **WILLOW 2**
 CITY: **CAMBRIDGE**

Job Name: **WILLOW 2**
 Level: **1ST FLOOR**
 Label: **B2 - i3695**
 Type: **Beam**

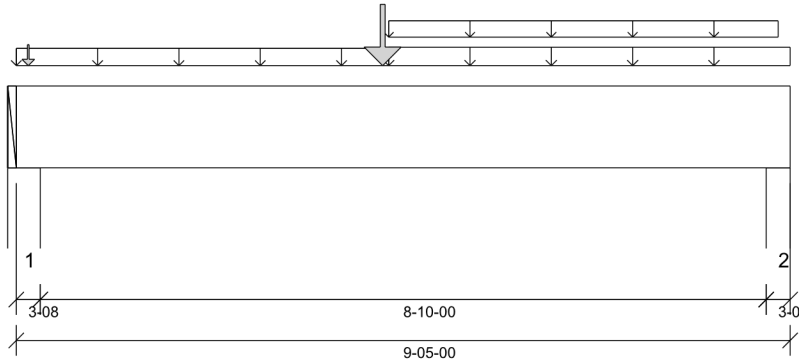
1 Ply Member
1 3/4" x 11 7/8" (2.0E 3100)
WestFraser LVL

Status:
Design Passed

Illustration Not to Scale. Pitch: 0/12

Designed by Single Member Design Engine in MiTek® Structure Version 8.5.3.233.Update5.15

Report Version: 2021.03.26 08/16/2022 14:12



DESIGN INFORMATION

Building Code: NBCC 2015, Part9, BCBC 2018, ABC 2019, OBC 2012 (2019 Amendment)
 Design Methodology: LSD
 Service Condition: Dry
 LL Deflection Limit: L/360,
 TL Deflection Limit: L/240,

Lateral Restraint Requirements:

Both ends of the member and the outer supports must be laterally restrained. Top and bottom edges of the member must be fully restrained or have the following maximum unbraced length:
 Top: 0'- 1 3/4" Bottom: 4'- 7 1/8"

Factored Resistance of Support Material:

- 615 psi Wall @ 0'- 2 1/2"
- 615 psi Wall @ 9'- 2 1/2"

ANALYSIS RESULTS

Design Criteria	Location	Load Combination	LDF	Design	Limit	Result
Factored Pos. Moment:	4'- 5 1/2"	1.25D + 1.5L	1.00	3797 lb ft	17672 lb ft	Passed - 21%
Factored Shear:	1'- 3 3/8"	1.25D + 1.5L + S	1.00	963 lb	6908 lb	Passed - 14%
Live Load (LL) Pos. Defl.:	4'- 7 7/16"	L		0.039"	L/360	Passed - L/999
Total Load (TL) Pos. Defl.:	4'- 8 1/8"	D + L		0.071"	L/240	Passed - L/999

SUPPORT AND REACTION INFORMATION

ID	Input Bearing Length	Controlling Load Combination	LDF	Factored Downward Reaction	Factored Uplift Reaction	Factored Resistance of Member	Factored Resistance of Support	Result
1	3-08	1.25D + 1.5L + S	1.00	1196 lb		6370 lb	3768 lb	Passed - 32%
2	3-08	1.25D + 1.5L	1.00	1078 lb		6370 lb	3768 lb	Passed - 29%

SPECIFIED LOADS

Type	Start Loc	End Loc	Source	Face	Dead (D)	Live (L)	Snow (S)	Wind (W)
Self Weight	0'	9'- 5"	Self Weight	Top	6 lb/ft	-	-	-
Uniform	-0'	4'- 6 3/8"	FC1 Floor Decking (Plan View Fill)	Top	13 lb/ft	27 lb/ft	-	-
Uniform	4'- 6 3/8"	9'- 5"	User Load	Top	60 lb/ft	-	-	-
Uniform	4'- 6 3/8"	9'- 3 1/4"	FC1 Floor Decking (Plan View Fill)	Top	6 lb/ft	13 lb/ft	-	-
Point	4'- 5 1/2"	4'- 5 1/2"	B4(i3553)	Front	314 lb	607 lb	-	-
Point	0'- 1 3/4"	0'- 1 3/4"	4(i264)	Top	66 lb	45 lb	1 lb	-

UNFACTORED REACTIONS

ID	Start Loc	End Loc	Source	Dead (D)	Live (L)	Snow (S)	Wind (W)
1	0'	0'- 3 1/2"	W7(i13)	386 lb	470 lb	1 lb	-
2	9'- 1 1/2"	9'- 5"	2(i26)	434 lb	363 lb	-	-

DESIGN NOTES

- The dead loads used in the design of this member were applied to the structure as sloped dead loads.
- Analysis and Design has been performed using precision loading from actual modeled conditions. Some loads may have been modified to simplify reporting.
- Tributary Loads have been generated based on actual spacing between members in the model which may differ from the default system spacing. The actual loads applied to the member are shown in the Specified Loads table.
- Transfer reactions may differ from design results as allowed per building codes and standard load distribution practices.
- This report is based on modeled conditions input by the user. Source information for the loads and supports are provided for reference only. Verify that all loads and support conditions are correct.
- Review all loads and reactions to ensure that the member/bearing/connector/structure can resist adequately. Unless already specified on this report, anchorage for uplift reactions to be specified by others. Installation of member and accessories (if required) as per manufacturer's instruction.
- When the applied loads are coming from a member/post/wall above that does not sit directly on this beam, adequate load transfer elements, such as squash blocks, wall studs, or beveled plates are required to transfer the loads to this beam.



STRUCTURAL COMPONENT ONLY
 DWG # TF22080977



BUILDER: **GREEN PARK HOMES**
 SITE: **BARLASSINA**
 MODEL: **WILLOW 2**
 CITY: **CAMBRIDGE**

Job Name: **WILLOW 2**
 Level: **1ST FLOOR**
 Label: **B4 - i3553**
 Type: **Beam**

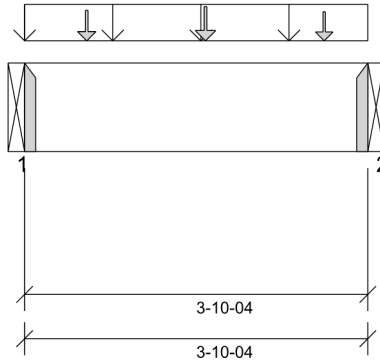
1 Ply Member
1 3/4" x 11 7/8" (2.0E 3100)
WestFraser LVL

Status:
Design Passed

Illustration Not to Scale. Pitch: 0/12

Designed by Single Member Design Engine in MiTek® Structure Version 8.5.3.233.Update5.15

Report Version: 2021.03.26 08/16/2022 14:12



DESIGN INFORMATION

Building Code: NBCC 2015, Part9, BCBC 2018, ABC 2019, OBC 2012 (2019 Amendment)
 Design Methodology: LSD
 Service Condition: Dry
 LL Deflection Limit: L/360,
 TL Deflection Limit: L/240,

Lateral Restraint Requirements:

Both ends of the member and the outer supports must be laterally restrained. Top and bottom edges of the member must be fully restrained or have the following maximum unbraced length:

Top: 0' Bottom: 1'- 1 1/2"

Factored Resistance of Support Material:

- 615 psi Beam @ 0'
- 615 psi Beam @ 3'- 10 1/4"

ANALYSIS RESULTS

Design Criteria	Location	Load Combination	LDF	Design	Limit	Result
Factored Pos. Moment:	2'- 3/8"	1.25D + 1.5L	1.00	1313 lb ft	17672 lb ft	Passed - 7%
Factored Shear:	2'- 10 3/8"	1.25D + 1.5L	1.00	631 lb	6908 lb	Passed - 9%

SUPPORT AND REACTION INFORMATION

ID	Input Bearing Length	Controlling Load Combination	LDF	Factored Downward Reaction	Factored Uplift Reaction	Factored Resistance of Member	Factored Resistance of Support	Result
1	1-08	1.25D + 1.5L	1.00	1303 lb		2730 lb	-	Passed - 48%
2	1-08	1.25D + 1.5L	1.00	1323 lb		2730 lb	-	Passed - 48%

CONNECTOR INFORMATION

ID	Part No.	Manufacturer	Nailing Requirements			Other Information or Requirement for Reinforcement Accessories
			Top	Face	Member	
1	HUS1.81/10		-	-	-	Connector manually specified by the user.
2	HUS1.81/10		-	-	-	Connector manually specified by the user.

* Connectors: Refer to manufacturer's specifications, fasteners requirements and installation instruction. Where header fasteners are longer than the width of the supporting member, install backer block or clinch header nails.

SPECIFIED LOADS

Type	Start Loc	End Loc	Source	Face	Dead (D)	Live (L)	Snow (S)	Wind (W)
Self Weight	0'	3'- 10 1/4"	Self Weight	Top	6 lb/ft	-	-	-
Uniform	0'	3'- 10 1/4"	User Load	Top	120 lb/ft	240 lb/ft	-	-
Point	0'- 8 3/8"	0'- 8 3/8"	J4(i3676)	Front	47 lb	94 lb	-	-
Point	2'- 3/8"	2'- 3/8"	J4(i3632)	Front	59 lb	119 lb	-	-
Point	3'- 4 3/8"	3'- 4 3/8"	J4(i3633)	Front	42 lb	85 lb	-	-

UNFACTORED REACTIONS

ID	Start Loc	End Loc	Source	Dead (D)	Live (L)	Snow (S)	Wind (W)
1	0'	0'	B2(i3695)	314 lb	607 lb	-	-
2	3'- 10 1/4"	3'- 10 1/4"	B2(i3688)	319 lb	616 lb	-	-

DESIGN NOTES

- The dead loads used in the design of this member were applied to the structure as sloped dead loads.
- Analysis and Design has been performed using precision loading from actual modeled conditions. Some loads may have been modified to simplify reporting.
- Tributary Loads have been generated based on actual spacing between members in the model which may differ from the default system spacing. The actual loads applied to the member are shown in the Specified Loads table.
- Transfer reactions may differ from design results as allowed per building codes and standard load distribution practices.
- This report is based on modeled conditions input by the user. Source information for the loads and supports are provided for reference only. Verify that all loads and support conditions are correct.
- Review all loads and reactions to ensure that the member/bearing/connector/structure can resist adequately. Unless already specified on this report, anchorage for uplift reactions to be specified by others. Installation of member and accessories (if required) as per manufacturer's instruction.
- When the applied loads are coming from a member/post/wall above that does not sit directly on this beam, adequate load transfer elements, such as squash blocks, wall studs, or beveled plates are required to transfer the loads to this beam.



STRUCTURAL COMPONENT ONLY
 DWG # TF22080978



BUILDER: **GREEN PARK HOMES**
 SITE: **BARLASSINA**
 MODEL: **WILLOW 2**
 CITY: **CAMBRIDGE**

Job Name: **WILLOW 2**
 Level: **2ND FLOOR**
 Label: **B5 - i3691**
 Type: **Beam**

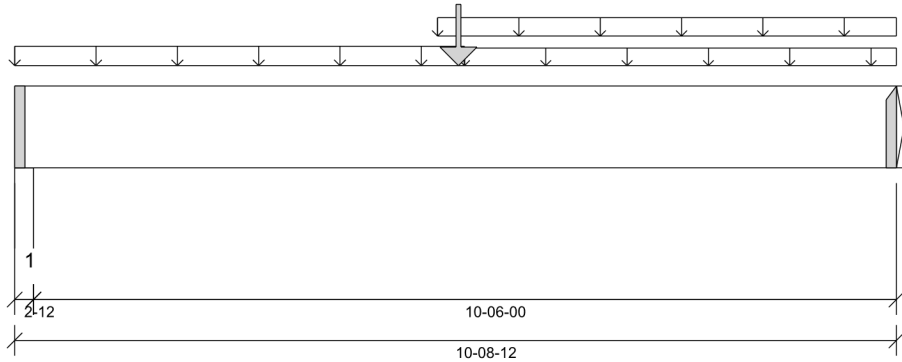
1 Ply Member
1 3/4" x 11 7/8" (2.0E 3100)
WestFraser LVL

Status:
Design Passed

Illustration Not to Scale. Pitch: 0/12

Designed by Single Member Design Engine in MiTek® Structure Version 8.5.3.233.Update5.15

Report Version: 2021.03.26 08/16/2022 14:12



DESIGN INFORMATION

Building Code: NBCC 2015, Part9, BCBC 2018, ABC 2019, OBC 2012 (2019 Amendment)
 Design Methodology: LSD
 Service Condition: Dry
 LL Deflection Limit: L/360,
 TL Deflection Limit: L/240,

Lateral Restraint Requirements:

Both ends of the member and the outer supports must be laterally restrained. Top and bottom edges of the member must be fully restrained or have the following maximum unbraced length:

Top: 0' Bottom: 5'- 3 1/16"

Factored Resistance of Support Material:

- 615 psi Wall @ 0'- 1 3/4"
- 615 psi Beam @ 10'- 8 3/4"

ANALYSIS RESULTS

Design Criteria	Location	Load Combination	LDF	Design	Limit	Result
Factored Pos. Moment:	5'- 4 13/16"	1.25D + 1.5L	1.00	4865 lb ft	17672 lb ft	Passed - 28%
Factored Shear:	9'- 8 7/8"	1.25D + 1.5L	1.00	1154 lb	6908 lb	Passed - 17%
Live Load (LL) Pos. Defl.:	5'- 4 11/16"	L		0.071"	L/360	Passed - L/999
Total Load (TL) Pos. Defl.:	5'- 5 3/8"	D + L		0.131"	L/240	Passed - L/963

SUPPORT AND REACTION INFORMATION

ID	Input Bearing Length	Controlling Load Combination	LDF	Factored Downward Reaction	Factored Uplift Reaction	Factored Resistance of Member	Factored Resistance of Support	Result
1	2-12	1.25D + 1.5L	1.00	1261 lb		5005 lb	2961 lb	Passed - 43%
2	1-08	1.25D + 1.5L	1.00	1315 lb		2730 lb	-	Passed - 48%

CONNECTOR INFORMATION

ID	Part No.	Manufacturer	Nailing Requirements			Other Information or Requirement for Reinforcement Accessories
			Top	Face	Member	
2	HUS1.81/10		-	-	-	Connector manually specified by the user.

* Connectors: Refer to manufacturer's specifications, fasteners requirements and installation instruction. Where header fasteners are longer than the width of the supporting member, install backer block or clinch header nails.

SPECIFIED LOADS

Type	Start Loc	End Loc	Source	Face	Dead (D)	Live (L)	Snow (S)	Wind (W)
Self Weight	0'	10'- 8 3/4"	Self Weight	Top	6 lb/ft	-	-	-
Uniform	0'	5'- 5 11/16"	FC2 Floor Decking (Plan View Fill)	Top	27 lb/ft	53 lb/ft	-	-
Uniform	5'- 1 3/4"	10'- 8 3/4"	User Load	Top	60 lb/ft	-	-	-
Uniform	5'- 5 11/16"	10'- 8 3/4"	FC2 Floor Decking (Plan View Fill)	Top	15 lb/ft	29 lb/ft	-	-
Point	5'- 4 13/16"	5'- 4 13/16"	B7(i3673)	Back	270 lb	519 lb	-	-

UNFACTORED REACTIONS

ID	Start Loc	End Loc	Source	Dead (D)	Live (L)	Snow (S)	Wind (W)
1	0'	0'- 2 3/4"	8(i517)	392 lb	532 lb	-	-
2	10'- 8 3/4"	10'- 8 3/4"	APP(i3689)	503 lb	440 lb	-	-

DESIGN NOTES

- The dead loads used in the design of this member were applied to the structure as sloped dead loads.
- Analysis and Design has been performed using precision loading from actual modeled conditions. Some loads may have been modified to simplify reporting.
- Tributary Loads have been generated based on actual spacing between members in the model which may differ from the default system spacing. The actual loads applied to the member are shown in the Specified Loads table.
- Transfer reactions may differ from design results as allowed per building codes and standard load distribution practices.
- This report is based on modeled conditions input by the user. Source information for the loads and supports are provided for reference only. Verify that all loads and support conditions are correct.
- Review all loads and reactions to ensure that the member/bearing/connector/structure can resist adequately. Unless already specified on this report, anchorage for uplift reactions to be specified by others. Installation of member and accessories (if required) as per manufacturer's instruction.
- When the applied loads are coming from a member/post/wall above that does not sit directly on this beam, adequate load transfer elements, such as squash blocks, wall studs, or beveled plates are required to transfer the loads to this beam.



STRUCTURAL COMPONENT ONLY
 DWG # TF22080979



BUILDER: **GREEN PARK HOMES**
 SITE: **BARLASSINA**
 MODEL: **WILLOW 2**
 CITY: **CAMBRIDGE**

Job Name: **WILLOW 2**
 Level: **2ND FLOOR**
 Label: **B7 - i3673**
 Type: **Beam**

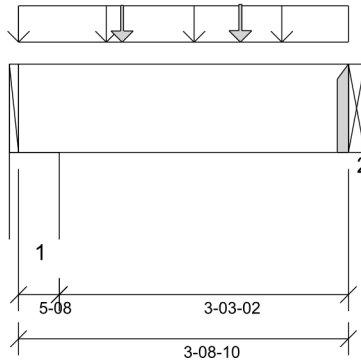
1 Ply Member
1 3/4" x 11 7/8" (2.0E 3100)
WestFraser LVL

Status:
Design Passed

Illustration Not to Scale. Pitch: 0/12

Designed by Single Member Design Engine in MiTek® Structure Version 8.5.3.233.Update5.15

Report Version: 2021.03.26 08/16/2022 14:12



DESIGN INFORMATION

Building Code: NBCC 2015, Part9, BCBC 2018, ABC 2019, OBC 2012 (2019 Amendment)
 Design Methodology: LSD
 Service Condition: Dry
 LL Deflection Limit: L/360,
 TL Deflection Limit: L/240,

Lateral Restraint Requirements:

Both ends of the member and the outer supports must be laterally restrained. Top and bottom edges of the member must be fully restrained or have the following maximum unbraced length:

Top: 0' Bottom: 1'- 1 1/2"

Factored Resistance of Support Material:

- 615 psi Wall @ 0'- 4 1/2"
- 615 psi Beam @ 3'- 8 5/8"

ANALYSIS RESULTS

Design Criteria	Location	Load Combination	LDF	Design	Limit	Result
Factored Pos. Moment:	2'- 1 13/16"	1.25D + 1.5L	1.00	1008 lb ft	17672 lb ft	Passed - 6%
Factored Shear:	2'- 8 3/4"	1.25D + 1.5L	1.00	604 lb	6908 lb	Passed - 9%

SUPPORT AND REACTION INFORMATION

ID	Input Bearing Length	Controlling Load Combination	LDF	Factored Downward Reaction	Factored Uplift Reaction	Factored Resistance of Member	Factored Resistance of Support	Result
1	5-08	1.25D + 1.5L	1.00	1401 lb		10010 lb	5921 lb	Passed - 24%
2	1-08	1.25D + 1.5L	1.00	1116 lb		2730 lb	-	Passed - 41%

CONNECTOR INFORMATION

ID	Part No.	Manufacturer	Nailing Requirements			Other Information or Requirement for Reinforcement Accessories
			Top	Face	Member	
2	HUS1.81/10		-	-	-	Connector manually specified by the user.

* Connectors: Refer to manufacturer's specifications, fasteners requirements and installation instruction. Where header fasteners are longer than the width of the supporting member, install backer block or clinch header nails.

SPECIFIED LOADS

Type	Start Loc	End Loc	Source	Face	Dead (D)	Live (L)	Snow (S)	Wind (W)
Self Weight	0'	3'- 8 5/8"	Self Weight	Top	6 lb/ft	-	-	-
Uniform	0'	3'- 8 5/8"	User Load	Back	120 lb/ft	240 lb/ft	-	-
Point	1'- 2"	1'- 2"	J6(i3604)	Front	68 lb	136 lb	-	-
Point	2'- 6"	2'- 6"	J6(i3609)	Front	72 lb	143 lb	-	-

UNFACTORED REACTIONS

ID	Start Loc	End Loc	Source	Dead (D)	Live (L)	Snow (S)	Wind (W)
1	0'	0'- 5 1/2"	7(i512)	338 lb	652 lb	-	-
2	3'- 8 5/8"	3'- 8 5/8"	B5(i3691)	270 lb	519 lb	-	-

DESIGN NOTES

- The dead loads used in the design of this member were applied to the structure as sloped dead loads.
- Analysis and Design has been performed using precision loading from actual modeled conditions. Some loads may have been modified to simplify reporting.
- Tributary Loads have been generated based on actual spacing between members in the model which may differ from the default system spacing. The actual loads applied to the member are shown in the Specified Loads table.
- Transfer reactions may differ from design results as allowed per building codes and standard load distribution practices.
- This report is based on modeled conditions input by the user. Source information for the loads and supports are provided for reference only. Verify that all loads and support conditions are correct.
- Review all loads and reactions to ensure that the member/bearing/connector/structure can resist adequately. Unless already specified on this report, anchorage for uplift reactions to be specified by others. Installation of member and accessories (if required) as per manufacturer's instruction.
- When the applied loads are coming from a member/post/wall above that does not sit directly on this beam, adequate load transfer elements, such as squash blocks, wall studs, or beveled plates are required to transfer the loads to this beam.



STRUCTURAL COMPONENT ONLY
 DWG # TF22080980



BUILDER: GREEN PARK HOMES
SITE: BARLASSINA
MODEL: WILLOW 2
CITY: CAMBRIDGE

Job Name: WILLOW 2
Level: 2ND FLOOR
Label: B8 - i3509
Type: Beam

1 Ply Member
1 3/4" x 11 7/8" (2.0E 3100)
WestFraser LVL

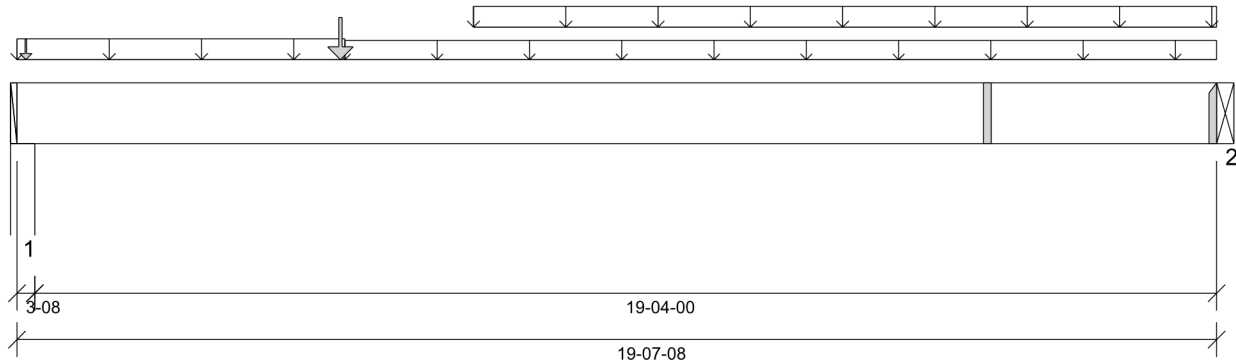
Status:
Design Passed

Illustration Not to Scale. Pitch: 0/12

Designed by Single Member Design Engine in MiTek® Structure Version 8.5.3.233.Update5.15

Report Version: 2021.03.26

08/16/2022 14:12



DESIGN INFORMATION

Building Code: NBCC 2015, Part9, BCBC 2018, ABC 2019, OBC 2012 (2019 Amendment)
 Design Methodology: LSD
 Service Condition: Dry
 LL Deflection Limit: L/360,
 TL Deflection Limit: L/240,

Lateral Restraint Requirements:

Both ends of the member and the outer supports must be laterally restrained. Top and bottom edges of the member must be fully restrained or have the following maximum unbraced length:
 Top: 0' Bottom: 10'- 4 5/8"

Factored Resistance of Support Material:

- 615 psi Wall @ 0'- 2 1/2"
- 615 psi Beam @ 19'- 7 1/2"

ANALYSIS RESULTS

Design Criteria	Location	Load Combination	LDF	Design	Limit	Result
Factored Pos. Moment:	10'- 1/4"	1.25D + 1.5S + L	0.73	5407 lb ft	12939 lb ft	Passed - 42%
Factored Shear:	18'- 7 5/8"	1.25D + 1.5S + L	0.73	1010 lb	5058 lb	Passed - 20%
Live Load (LL) Pos. Defl.:	9'- 6 1/16"	L		0.226"	L/360	Passed - L/999
Total Load (TL) Pos. Defl.:	9'- 10 7/8"	D + L		0.664"	L/240	Passed - L/349
Permanent Deflection:	10'- 1 3/16"			-	L/360	Passed - L/544

SUPPORT AND REACTION INFORMATION

ID	Input Bearing Length	Controlling Load Combination	LDF	Factored Downward Reaction	Factored Uplift Reaction	Factored Resistance of Member	Factored Resistance of Support	Result
1	3-08	1.25D + 1.5S + L	0.73	1081 lb		4664 lb	2759 lb	Passed - 39%
2	1-08	1.25D + 1.5S + L	0.73	1136 lb		1999 lb	-	Passed - 57%

CONNECTOR INFORMATION

ID	Part No.	Manufacturer	Nailing Requirements			Other Information or Requirement for Reinforcement Accessories
			Top	Face	Member	
2	HUS1.81/10		-	-	-	Connector manually specified by the user.

* Connectors: Refer to manufacturer's specifications, fasteners requirements and installation instruction. Where header fasteners are longer than the width of the supporting member, install backer block or clinch header nails.

SPECIFIED LOADS

Type	Start Loc	End Loc	Source	Face	Dead (D)	Live (L)	Snow (S)	Wind (W)
Self Weight	0'	19'- 7 1/2"	Self Weight	Top	6 lb/ft	-	-	-
Uniform	0'	5'- 4 3/8"	FC2 Floor Decking (Plan View Fill)	Top	21 lb/ft	41 lb/ft	-	-
Uniform	5'- 4 3/8"	19'- 7 1/2"	FC2 Floor Decking (Plan View Fill)	Top	11 lb/ft	21 lb/ft	-	-
Uniform	7'- 5 5/8"	19'- 7 1/2"	User Load	Top	60 lb/ft	-	-	-
Point	5'- 3 1/2"	5'- 3 1/2"	B9(i3309)	Front	87 lb	151 lb	-	-
Point	0'- 1 3/4"	0'- 1 3/4"	25(i1056)	Top	15 lb	-	12 lb	-

UNFACTORED REACTIONS

ID	Start Loc	End Loc	Source	Dead (D)	Live (L)	Snow (S)	Wind (W)
1	0'	0'- 3 1/2"	4(i264)	518 lb	415 lb	12 lb	-
2	19'- 7 1/2"	19'- 7 1/2"	APP(i3689)	695 lb	268 lb	-	-

DESIGN NOTES

- The dead loads used in the design of this member were applied to the structure as sloped dead loads.
- Analysis and Design has been performed using precision loading from actual modeled conditions. Some loads may have been modified to simplify reporting.
- Tributary Loads have been generated based on actual spacing between members in the model which may differ from the default system spacing. The actual loads applied to the member are shown in the Specified Loads table.
- Transfer reactions may differ from design results as allowed per building codes and standard load distribution practices.
- This report is based on modeled conditions input by the user. Source information for the loads and supports are provided for reference only. Verify that all loads and support conditions are correct.
- Review all loads and reactions to ensure that the member/bearing/connector/structure can resist adequately. Unless already specified on this report, anchorage for uplift reactions to be specified by others. Installation of member and accessories (if required) as per manufacturer's instruction.
- When the applied loads are coming from a member/post/wall above that does not sit directly on this beam, adequate load transfer elements, such as squash blocks, wall studs, or beveled plates are required to transfer the loads to this beam.



STRUCTURAL COMPONENT ONLY
 DWG # TF22080981



BUILDER: **GREEN PARK HOMES**
 SITE: **BARLASSINA**
 MODEL: **WILLOW 2**
 CITY: **CAMBRIDGE**

Job Name: **WILLOW 2**
 Level: **2ND FLOOR**
 Label: **B9 - i3309**
 Type: **Beam**

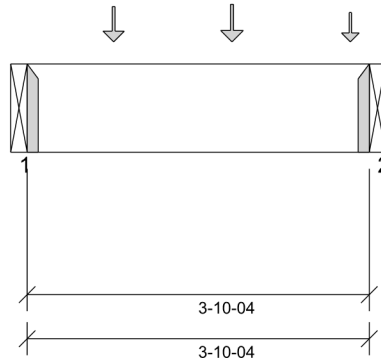
1 Ply Member
1 3/4" x 11 7/8" (2.0E 3100)
WestFraser LVL

Status:
Design Passed

Illustration Not to Scale. Pitch: 0/12

Designed by Single Member Design Engine in MiTek® Structure Version 8.5.3.233.Update5.15

Report Version: 2021.03.26 08/16/2022 14:12



DESIGN INFORMATION

Building Code: NBCC 2015, Part9, BCBC 2018, ABC 2019, OBC 2012 (2019 Amendment)
 Design Methodology: LSD
 Service Condition: Dry
 LL Deflection Limit: L/360,
 TL Deflection Limit: L/240,

Lateral Restraint Requirements:

Both ends of the member and the outer supports must be laterally restrained. Top and bottom edges of the member must be fully restrained or have the following maximum unbraced length:

Top: 0' Bottom: 1'- 1 1/2"

Factored Resistance of Support Material:

- 615 psi Beam @ 0'
- 615 psi Beam @ 3'- 10 1/4"

ANALYSIS RESULTS

Design Criteria	Location	Load Combination	LDF	Design	Limit	Result
Factored Pos. Moment:	2'- 3 11/16"	1.25D + 1.5L	1.00	419 lb ft	17672 lb ft	Passed - 2%
Factored Shear:	2'- 10 3/8"	1.25D + 1.5L	1.00	244 lb	6908 lb	Passed - 4%

SUPPORT AND REACTION INFORMATION

ID	Input Bearing Length	Controlling Load Combination	LDF	Factored Downward Reaction	Factored Uplift Reaction	Factored Resistance of Member	Factored Resistance of Support	Result
1	1-08	1.25D + 1.5L	1.00	345 lb		2730 lb	-	Passed - 13%
2	1-08	1.25D + 1.5L	1.00	434 lb		2730 lb	-	Passed - 16%

CONNECTOR INFORMATION

ID	Part No.	Manufacturer	Nailing Requirements			Other Information or Requirement for Reinforcement Accessories
			Top	Face	Member	
1	HUS1.81/10		-	-	-	Connector manually specified by the user.
2	HUS1.81/10		-	-	-	Connector manually specified by the user.

* Connectors: Refer to manufacturer's specifications, fasteners requirements and installation instruction. Where header fasteners are longer than the width of the supporting member, install backer block or clinch header nails.

SPECIFIED LOADS

Type	Start Loc	End Loc	Source	Face	Dead (D)	Live (L)	Snow (S)	Wind (W)
Self Weight	0'	3'- 10 1/4"	Self Weight	Top	6 lb/ft	-	-	-
Point	0'- 11 11/16"	0'- 11 11/16"	J6(i3672)	Front	63 lb	126 lb	-	-
Point	2'- 3 11/16"	2'- 3 11/16"	J6(i3540)	Front	71 lb	141 lb	-	-
Point	3'- 7 11/16"	3'- 7 11/16"	J6(i3534)	Front	43 lb	86 lb	-	-

UNFACTORED REACTIONS

ID	Start Loc	End Loc	Source	Dead (D)	Live (L)	Snow (S)	Wind (W)
1	0'	0'	B8(i3509)	87 lb	151 lb	-	-
2	3'- 10 1/4"	3'- 10 1/4"	B10(i3560)	113 lb	202 lb	-	-

DESIGN NOTES

- The dead loads used in the design of this member were applied to the structure as sloped dead loads.
- Analysis and Design has been performed using precision loading from actual modeled conditions. Some loads may have been modified to simplify reporting.
- Tributary Loads have been generated based on actual spacing between members in the model which may differ from the default system spacing. The actual loads applied to the member are shown in the Specified Loads table.
- Transfer reactions may differ from design results as allowed per building codes and standard load distribution practices.
- This report is based on modeled conditions input by the user. Source information for the loads and supports are provided for reference only. Verify that all loads and support conditions are correct.
- Review all loads and reactions to ensure that the member/bearing/connector/structure can resist adequately. Unless already specified on this report, anchorage for uplift reactions to be specified by others. Installation of member and accessories (if required) as per manufacturer's instruction.
- When the applied loads are coming from a member/post/wall above that does not sit directly on this beam, adequate load transfer elements, such as squash blocks, wall studs, or beveled plates are required to transfer the loads to this beam.



STRUCTURAL COMPONENT ONLY
 DWG # TF22080982



BUILDER: **GREEN PARK HOMES**
 SITE: **BARLASSINA**
 MODEL: **WILLOW 2**
 CITY: **CAMBRIDGE**

Job Name: **WILLOW 2**
 Level: **2ND FLOOR**
 Label: **B10 - i3560**
 Type: **Beam**

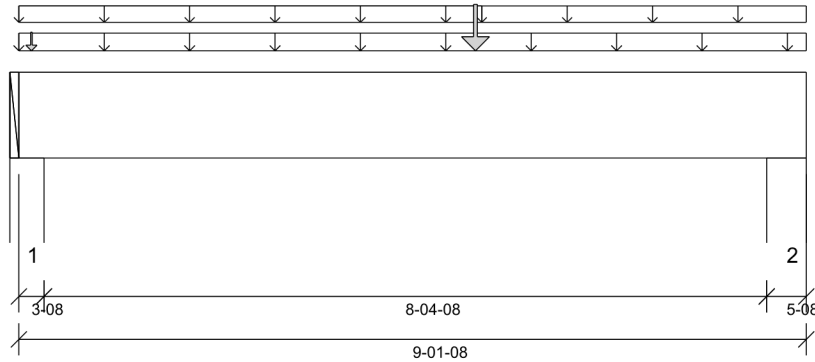
1 Ply Member
1 3/4" x 11 7/8" (2.0E 3100)
WestFraser LVL

Status:
Design Passed

Illustration Not to Scale. Pitch: 0/12

Designed by Single Member Design Engine in MiTek® Structure Version 8.5.3.233.Update5.15

Report Version: 2021.03.26 08/16/2022 14:12



DESIGN INFORMATION

Building Code: NBCC 2015, Part9, BCBC 2018, ABC 2019, OBC 2012 (2019 Amendment)
 Design Methodology: LSD
 Service Condition: Dry
 LL Deflection Limit: L/360,
 TL Deflection Limit: L/240,

Lateral Restraint Requirements:

Both ends of the member and the outer supports must be laterally restrained. Top and bottom edges of the member must be fully restrained or have the following maximum unbraced length:

Top: 0' Bottom: 4'- 11 1/8"

Factored Resistance of Support Material:

- 615 psi Wall @ 0'- 2 1/2"
- 615 psi Wall @ 8'- 9"

ANALYSIS RESULTS

Design Criteria	Location	Load Combination	LDF	Design	Limit	Result
Factored Pos. Moment:	5'- 3 1/2"	1.25D + 1.5L	1.00	1467 lb ft	17672 lb ft	Passed - 8%
Factored Shear:	7'- 8 1/8"	1.25D + 1.5L	1.00	466 lb	6908 lb	Passed - 7%
Live Load (LL) Pos. Defl.:	4'- 7 7/16"	L		0.016"	L/360	Passed - L/999
Total Load (TL) Pos. Defl.:	4'- 7 3/8"	D + L		0.026"	L/240	Passed - L/999

SUPPORT AND REACTION INFORMATION

ID	Input Bearing Length	Controlling Load Combination	LDF	Factored Downward Reaction	Factored Uplift Reaction	Factored Resistance of Member	Factored Resistance of Support	Result
1	3-08	1.25D + 1.5L + S	1.00	496 lb		6370 lb	3768 lb	Passed - 13%
2	5-08	1.25D + 1.5L	1.00	556 lb		10010 lb	5921 lb	Passed - 9%

SPECIFIED LOADS

Type	Start Loc	End Loc	Source	Face	Dead (D)	Live (L)	Snow (S)	Wind (W)
Self Weight	0'	9'- 1 1/2"	Self Weight	Top	6 lb/ft	-	-	-
Uniform	-0'	9'- 1 1/2"	FC2 Floor Decking (Plan View Fill)	Top	11 lb/ft	21 lb/ft	-	-
Uniform	-0'	5'- 4 3/8"	FC2 Floor Decking (Plan View Fill)	Top	3 lb/ft	6 lb/ft	-	-
Uniform	5'- 4 3/8"	9'- 1 1/2"	FC2 Floor Decking (Plan View Fill)	Top	2 lb/ft	5 lb/ft	-	-
Point	5'- 3 1/2"	5'- 3 1/2"	B9(i3309)	Back	113 lb	202 lb	-	-
Point	0'- 1 3/4"	0'- 1 3/4"	25(i1056)	Top	15 lb	-	12 lb	-

UNFACTORED REACTIONS

ID	Start Loc	End Loc	Source	Dead (D)	Live (L)	Snow (S)	Wind (W)
1	0'	0'- 3 1/2"	4(i264)	146 lb	200 lb	12 lb	-
2	8'- 8"	9'- 1 1/2"	8(i517)	156 lb	242 lb	-	-

DESIGN NOTES

- The dead loads used in the design of this member were applied to the structure as sloped dead loads.
- Analysis and Design has been performed using precision loading from actual modeled conditions. Some loads may have been modified to simplify reporting.
- Tributary Loads have been generated based on actual spacing between members in the model which may differ from the default system spacing. The actual loads applied to the member are shown in the Specified Loads table.
- Transfer reactions may differ from design results as allowed per building codes and standard load distribution practices.
- This report is based on modeled conditions input by the user. Source information for the loads and supports are provided for reference only. Verify that all loads and support conditions are correct.
- Review all loads and reactions to ensure that the member/bearing/connector/structure can resist adequately. Unless already specified on this report, anchorage for uplift reactions to be specified by others. Installation of member and accessories (if required) as per manufacturer's instruction.
- When the applied loads are coming from a member/post/wall above that does not sit directly on this beam, adequate load transfer elements, such as squash blocks, wall studs, or beveled plates are required to transfer the loads to this beam.



STRUCTURAL COMPONENT ONLY
 DWG # TF22080983

Maximum Floor Spans – S2.1

Design Criteria

Spans:	Simple span
Loads:	Live load = 40 psf and dead load = 15 psf
Deflection limits:	L/480 under live load and L/240 under total load
Sheathing:	5/8 in. nailed-glued oriented strand board (OSB) sheathing

Maximum Floor Spans

Joist depth	Joist series	Bare On centre spacing				1/2 in. gypsum ceiling On centre spacing			
		12"	16"	19.2"	24"	12"	16"	19.2"	24"
9-1/2"	NI-20	15'-1"	14'-3"	13'-10"	-	15'-7"	14'-9"	14'-3"	-
	NI-40x	16'-2"	15'-3"	14'-8"	-	16'-7"	15'-8"	15'-1"	-
	NI-60	16'-4"	15'-4"	14'-10"	-	16'-9"	15'-9"	15'-3"	-
	NI-80	17'-3"	16'-3"	15'-8"	-	17'-8"	16'-7"	16'-0"	-
11-7/8"	NI-20	17'-0"	16'-0"	15'-6"	-	17'-6"	16'-7"	16'-0"	-
	NI-40x	18'-2"	17'-1"	16'-6"	-	18'-9"	17'-6"	16'-11"	-
	NI-60	18'-5"	17'-3"	16'-8"	-	19'-0"	17'-8"	17'-1"	-
	NI-80	19'-9"	18'-3"	17'-7"	-	20'-4"	18'-10"	18'-0"	-
14"	NI-90	20'-2"	18'-8"	17'-10"	-	20'-9"	19'-2"	18'-4"	-
	NI-40x	20'-1"	18'-8"	17'-10"	-	20'-10"	19'-4"	18'-6"	-
	NI-60	20'-6"	18'-11"	18'-2"	-	21'-2"	19'-8"	18'-9"	-
	NI-80	21'-11"	20'-3"	19'-4"	-	22'-7"	20'-11"	20'-0"	-
16"	NI-90	22'-5"	20'-8"	19'-9"	-	23'-0"	21'-4"	20'-4"	-
	NI-60	22'-4"	20'-8"	19'-9"	-	23'-1"	21'-5"	20'-6"	-
	NI-80	23'-11"	22'-1"	21'-1"	-	24'-8"	22'-10"	21'-9"	-
	NI-90	24'-5"	22'-6"	21'-6"	-	25'-1"	23'-2"	22'-2"	-

Joist depth	Joist series	Mid-span blocking with 1x4 inch strap On centre spacing				Mid-span blocking and 1/2 in. gypsum ceiling On centre spacing			
		12"	16"	19.2"	24"	12"	16"	19.2"	24"
9-1/2"	NI-20	16'-8"	15'-3"	14'-5"	-	16'-8"	15'-3"	14'-5"	-
	NI-40x	17'-11"	17'-0"	16'-1"	-	18'-5"	17'-1"	16'-1"	-
	NI-60	18'-2"	17'-1"	16'-4"	-	18'-8"	17'-4"	16'-4"	-
	NI-80	19'-5"	18'-0"	17'-5"	-	19'-10"	18'-5"	17'-8"	-
11-7/8"	NI-20	19'-7"	18'-2"	17'-3"	-	19'-11"	18'-3"	17'-3"	-
	NI-40x	21'-1"	19'-7"	18'-8"	-	21'-8"	20'-2"	19'-2"	-
	NI-60	21'-4"	19'-9"	18'-11"	-	21'-11"	20'-5"	19'-6"	-
	NI-80	22'-9"	21'-1"	20'-2"	-	23'-3"	21'-8"	20'-8"	-
14"	NI-90	23'-3"	21'-6"	20'-6"	-	23'-9"	22'-0"	21'-0"	-
	NI-40x	23'-8"	21'-11"	20'-11"	-	24'-4"	22'-8"	21'-8"	-
	NI-60	24'-0"	22'-3"	21'-3"	-	24'-8"	22'-11"	21'-11"	-
	NI-80	25'-7"	23'-9"	22'-7"	-	26'-2"	24'-4"	23'-3"	-
16"	NI-90	26'-1"	24'-2"	23'-0"	-	26'-8"	24'-9"	23'-7"	-
	NI-60	26'-5"	24'-6"	23'-5"	-	27'-2"	25'-3"	24'-2"	-
	NI-80	28'-2"	26'-1"	24'-10"	-	28'-10"	26'-9"	25'-6"	-
	NI-90	28'-8"	26'-6"	25'-3"	-	29'-3"	27'-2"	25'-11"	-

Notes:

- The tabulated clear spans are based on CSA O86-14 and NBC 2015, and are applicable to residential floor construction meeting the above design criteria.
- For multiple-span applications, the end spans shall be 40% or more of the adjacent span.
- Minimum bearing length shall be 1-3/4 inch for end bearings, and 3-1/2 inches for intermediate bearings.
- Bearing stiffeners are not required when I-joists are used in accordance with this table, except as required for hangers.
- Nordic I-joists are listed in CCMC Evaluation Report 13032-R and APA Product Report PR-L274C.

Maximum Floor Spans – S4.1

Design Criteria

Spans:	Simple span
Loads:	Live load = 40 psf and dead load = 15 psf
Deflection limits:	L/480 under live load and L/240 under total load
Sheathing:	3/4 in. nailed-glued oriented strand board (OSB) sheathing

Maximum Floor Spans

Joist depth	Joist series	Bare				1/2 in. gypsum ceiling			
		On centre spacing				On centre spacing			
		12"	16"	19.2"	24"	12"	16"	19.2"	24"
9-1/2"	NI-20	15'-11"	15'-0"	14'-6"	13'-5"	16'-5"	15'-5"	14'-6"	13'-5"
	NI-40x	17'-0"	16'-0"	15'-5"	14'-10"	17'-5"	16'-5"	15'-10"	15'-2"
	NI-60	17'-2"	16'-2"	15'-7"	14'-11"	17'-7"	16'-7"	16'-0"	15'-4"
	NI-80	18'-3"	17'-1"	16'-5"	15'-9"	18'-8"	17'-5"	16'-9"	16'-1"
11-7/8"	NI-20	17'-11"	16'-11"	16'-3"	15'-8"	18'-7"	17'-5"	16'-10"	16'-2"
	NI-40x	19'-4"	17'-11"	17'-3"	16'-7"	19'-11"	18'-6"	17'-9"	17'-0"
	NI-60	19'-7"	18'-2"	17'-6"	16'-9"	20'-2"	18'-9"	17'-11"	17'-2"
	NI-80	21'-1"	19'-6"	18'-6"	17'-7"	21'-7"	20'-0"	19'-0"	18'-0"
	NI-90	21'-6"	19'-10"	18'-11"	17'-11"	22'-0"	20'-4"	19'-5"	18'-4"
14"	NI-40x	21'-5"	19'-11"	18'-11"	18'-0"	22'-1"	20'-7"	19'-7"	18'-7"
	NI-60	21'-10"	20'-2"	19'-3"	18'-3"	22'-6"	20'-10"	19'-11"	18'-10"
	NI-80	23'-5"	21'-7"	20'-7"	19'-5"	24'-0"	22'-3"	21'-2"	20'-0"
	NI-90	23'-10"	22'-1"	21'-0"	19'-10"	24'-5"	22'-7"	21'-6"	20'-4"
16"	NI-60	23'-9"	22'-0"	21'-0"	19'-10"	24'-6"	22'-9"	21'-8"	20'-7"
	NI-80	25'-6"	23'-7"	22'-5"	21'-2"	26'-2"	24'-3"	23'-1"	21'-10"
	NI-90	26'-0"	24'-0"	22'-10"	21'-6"	26'-7"	24'-8"	23'-5"	22'-2"

Joist depth	Joist series	Mid-span blocking with 1x4 inch strap				Mid-span blocking and 1/2 in. gypsum ceiling			
		On centre spacing				On centre spacing			
		12"	16"	19.2"	24"	12"	16"	19.2"	24"
9-1/2"	NI-20	16'-10"	15'-5"	14'-6"	13'-5"	16'-10"	15'-5"	14'-6"	13'-5"
	NI-40x	18'-8"	17'-2"	16'-3"	15'-2"	18'-10"	17'-2"	16'-3"	15'-2"
	NI-60	18'-11"	17'-6"	16'-6"	15'-5"	19'-2"	17'-6"	16'-6"	15'-5"
	NI-80	20'-3"	18'-10"	17'-11"	16'-10"	20'-8"	19'-3"	18'-2"	16'-10"
11-7/8"	NI-20	20'-1"	18'-5"	17'-5"	16'-2"	20'-1"	18'-5"	17'-5"	16'-2"
	NI-40x	21'-10"	20'-4"	19'-4"	17'-8"	22'-5"	20'-6"	19'-4"	17'-8"
	NI-60	22'-1"	20'-7"	19'-8"	18'-4"	22'-8"	20'-10"	19'-8"	18'-4"
	NI-80	23'-8"	22'-0"	20'-11"	19'-10"	24'-1"	22'-6"	21'-6"	20'-0"
	NI-90	24'-1"	22'-5"	21'-4"	20'-2"	24'-7"	22'-11"	21'-10"	20'-7"
14"	NI-40x	24'-5"	22'-9"	21'-9"	19'-5"	25'-1"	23'-2"	21'-9"	19'-5"
	NI-60	24'-10"	23'-2"	22'-1"	20'-10"	25'-6"	23'-8"	22'-4"	20'-10"
	NI-80	26'-6"	24'-8"	23'-6"	22'-2"	27'-1"	25'-3"	24'-1"	22'-9"
	NI-90	27'-0"	25'-1"	23'-11"	22'-7"	27'-6"	25'-8"	24'-6"	23'-2"
16"	NI-60	27'-3"	25'-5"	24'-3"	22'-11"	28'-0"	26'-2"	24'-9"	23'-1"
	NI-80	29'-1"	27'-1"	25'-9"	24'-4"	29'-8"	27'-9"	26'-5"	25'-0"
	NI-90	29'-7"	27'-6"	26'-2"	24'-9"	30'-2"	28'-2"	26'-10"	25'-5"

Notes:

1. The tabulated clear spans are based on CSA O86-14 and NBC 2015, and are applicable to residential floor construction meeting the above design criteria.
2. For multiple-span applications, the end spans shall be 40% or more of the adjacent span.
3. Minimum bearing length shall be 1-3/4 inch for end bearings, and 3-1/2 inches for intermediate bearings.
4. Bearing stiffeners are not required when I-joists are used in accordance with this table, except as required for hangers.
5. Nordic I-joists are listed in CCMC Evaluation Report 13032-R and APA Product Report PR-L274C.

Maximum Floor Spans – S6.1

Design Criteria

Spans:	Simple span
Loads:	Live load = 40 psf and dead load = 15 psf
Deflection limits:	L/480 under live load and L/240 under total load
Sheathing:	5/8 in. nailed-glued Canadian softwood plywood

Maximum Floor Spans

Joist depth	Joist series	Bare On centre spacing				1/2 in. gypsum ceiling On centre spacing			
		12"	16"	19.2"	24"	12"	16"	19.2"	24"
9-1/2"	NI-20	14'-11"	14'-1"	13'-7"	-	15'-4"	14'-6"	14'-1"	-
	NI-40x	15'-11"	15'-0"	14'-6"	-	16'-4"	15'-5"	14'-11"	-
	NI-60	16'-1"	15'-2"	14'-8"	-	16'-6"	15'-7"	15'-1"	-
	NI-80	17'-1"	16'-1"	15'-6"	-	17'-5"	16'-5"	15'-10"	-
11-7/8"	NI-20	16'-9"	15'-10"	15'-4"	-	17'-4"	16'-4"	15'-10"	-
	NI-40x	17'-10"	16'-10"	16'-3"	-	18'-6"	17'-4"	16'-9"	-
	NI-60	18'-1"	17'-0"	16'-5"	-	18'-9"	17'-6"	16'-11"	-
	NI-80	19'-6"	18'-0"	17'-4"	-	20'-1"	18'-7"	17'-9"	-
	NI-90	19'-11"	18'-4"	17'-8"	-	20'-5"	18'-11"	18'-1"	-
14"	NI-40x	19'-10"	18'-4"	17'-8"	-	20'-6"	19'-1"	18'-3"	-
	NI-60	20'-2"	18'-8"	17'-11"	-	20'-10"	19'-4"	18'-6"	-
	NI-80	21'-8"	20'-0"	19'-1"	-	22'-4"	20'-8"	19'-9"	-
	NI-90	22'-1"	20'-5"	19'-6"	-	22'-9"	21'-0"	20'-1"	-
16"	NI-60	22'-0"	20'-4"	19'-6"	-	22'-9"	21'-1"	20'-2"	-
	NI-80	23'-7"	21'-10"	20'-10"	-	24'-4"	22'-6"	21'-6"	-
	NI-90	24'-1"	22'-2"	21'-2"	-	24'-9"	22'-11"	21'-10"	-

Joist depth	Joist series	Mid-span blocking with 1x4 inch strap On centre spacing				Mid-span blocking and 1/2 in. gypsum ceiling On centre spacing			
		12"	16"	19.2"	24"	12"	16"	19.2"	24"
9-1/2"	NI-20	16'-6"	15'-1"	14'-3"	-	16'-6"	15'-1"	14'-3"	-
	NI-40x	17'-9"	16'-10"	15'-11"	-	18'-2"	16'-11"	15'-11"	-
	NI-60	17'-11"	16'-11"	16'-2"	-	18'-5"	17'-2"	16'-2"	-
	NI-80	19'-3"	17'-10"	17'-3"	-	19'-8"	18'-3"	17'-7"	-
11-7/8"	NI-20	19'-4"	18'-0"	17'-1"	-	19'-9"	18'-1"	17'-1"	-
	NI-40x	20'-10"	19'-4"	18'-6"	-	21'-5"	19'-11"	19'-0"	-
	NI-60	21'-1"	19'-7"	18'-8"	-	21'-8"	20'-2"	19'-3"	-
	NI-80	22'-6"	20'-10"	19'-11"	-	23'-1"	21'-5"	20'-5"	-
14"	NI-90	23'-0"	21'-3"	20'-4"	-	23'-6"	21'-10"	20'-10"	-
	NI-40x	23'-5"	21'-8"	20'-9"	-	24'-0"	22'-5"	21'-5"	-
	NI-60	23'-9"	22'-0"	21'-0"	-	24'-5"	22'-8"	21'-8"	-
	NI-80	25'-4"	23'-6"	22'-5"	-	25'-11"	24'-1"	23'-0"	-
16"	NI-90	25'-10"	23'-11"	22'-9"	-	26'-5"	24'-6"	23'-4"	-
	NI-60	26'-2"	24'-3"	23'-2"	-	26'-11"	25'-0"	23'-11"	-
	NI-80	27'-11"	25'-10"	24'-7"	-	28'-7"	26'-6"	25'-3"	-
	NI-90	28'-5"	26'-3"	25'-0"	-	29'-0"	26'-11"	25'-8"	-

Notes:

- The tabulated clear spans are based on CSA O86-14 and NBC 2015, and are applicable to residential floor construction meeting the above design criteria.
- For multiple-span applications, the end spans shall be 40% or more of the adjacent span.
- Minimum bearing length shall be 1-3/4 inch for end bearings, and 3-1/2 inches for intermediate bearings.
- Bearing stiffeners are not required when I-joists are used in accordance with this table, except as required for hangers.
- Nordic I-joists are listed in CCMC Evaluation Report 13032-R and APA Product Report PR-L274C.

Maximum Floor Spans – S7.1

Design Criteria

Spans:	Simple span
Loads:	Live load = 40 psf and dead load = 15 psf
Deflection limits:	L/480 under live load and L/240 under total load
Sheathing:	3/4 in. nailed-glued Canadian softwood plywood

Maximum Floor Spans

Joist depth	Joist series	Bare				1/2 in. gypsum ceiling			
		On centre spacing				On centre spacing			
		12"	16"	19.2"	24"	12"	16"	19.2"	24"
9-1/2"	NI-20	15'-10"	15'-0"	14'-5"	13'-5"	16'-4"	15'-5"	14'-6"	13'-5"
	NI-40x	16'-11"	15'-11"	15'-4"	14'-9"	17'-4"	16'-4"	15'-9"	15'-1"
	NI-60	17'-1"	16'-1"	15'-6"	14'-10"	17'-6"	16'-6"	15'-11"	15'-3"
	NI-80	18'-1"	17'-0"	16'-4"	15'-8"	18'-7"	17'-4"	16'-8"	16'-0"
11-7/8"	NI-20	17'-10"	16'-10"	16'-2"	15'-7"	18'-5"	17'-4"	16'-9"	16'-1"
	NI-40x	19'-3"	17'-10"	17'-2"	16'-6"	19'-10"	18'-5"	17'-8"	16'-11"
	NI-60	19'-6"	18'-1"	17'-4"	16'-8"	20'-1"	18'-8"	17'-10"	17'-1"
	NI-80	20'-11"	19'-4"	18'-5"	17'-7"	21'-5"	19'-10"	18'-11"	17'-11"
	NI-90	21'-4"	19'-9"	18'-9"	17'-10"	21'-10"	20'-3"	19'-3"	18'-3"
14"	NI-40x	21'-4"	19'-9"	18'-10"	17'-11"	22'-0"	20'-5"	19'-6"	18'-6"
	NI-60	21'-8"	20'-1"	19'-2"	18'-2"	22'-4"	20'-9"	19'-9"	18'-9"
	NI-80	23'-3"	21'-6"	20'-5"	19'-4"	23'-10"	22'-1"	21'-0"	19'-11"
	NI-90	23'-9"	21'-11"	20'-10"	19'-8"	24'-3"	22'-6"	21'-5"	20'-3"
16"	NI-60	23'-7"	21'-10"	20'-10"	19'-9"	24'-4"	22'-7"	21'-7"	20'-5"
	NI-80	25'-4"	23'-5"	22'-3"	21'-1"	26'-0"	24'-1"	22'-11"	21'-8"
	NI-90	25'-10"	23'-10"	22'-8"	21'-5"	26'-5"	24'-6"	23'-4"	22'-0"

Joist depth	Joist series	Mid-span blocking with 1x4 inch strap				Mid-span blocking and 1/2 in. gypsum ceiling			
		On centre spacing				On centre spacing			
		12"	16"	19.2"	24"	12"	16"	19.2"	24"
9-1/2"	NI-20	16'-10"	15'-5"	14'-6"	13'-5"	16'-10"	15'-5"	14'-6"	13'-5"
	NI-40x	18'-7"	17'-2"	16'-3"	15'-2"	18'-10"	17'-2"	16'-3"	15'-2"
	NI-60	18'-10"	17'-6"	16'-6"	15'-5"	19'-1"	17'-6"	16'-6"	15'-5"
	NI-80	20'-2"	18'-9"	17'-11"	16'-10"	20'-7"	19'-2"	18'-2"	16'-10"
11-7/8"	NI-20	20'-1"	18'-5"	17'-5"	16'-2"	20'-1"	18'-5"	17'-5"	16'-2"
	NI-40x	21'-9"	20'-3"	19'-4"	17'-8"	22'-4"	20'-5"	19'-4"	17'-8"
	NI-60	22'-0"	20'-6"	19'-7"	18'-4"	22'-7"	20'-10"	19'-8"	18'-4"
	NI-80	23'-6"	21'-10"	20'-10"	19'-9"	24'-0"	22'-5"	21'-4"	20'-0"
	NI-90	24'-0"	22'-4"	21'-3"	20'-1"	24'-6"	22'-10"	21'-9"	20'-7"
14"	NI-40x	24'-4"	22'-8"	21'-8"	19'-5"	25'-0"	23'-2"	21'-9"	19'-5"
	NI-60	24'-9"	23'-0"	22'-0"	20'-9"	25'-5"	23'-8"	22'-4"	20'-10"
	NI-80	26'-5"	24'-6"	23'-4"	22'-1"	27'-0"	25'-2"	24'-0"	22'-8"
	NI-90	26'-11"	25'-0"	23'-10"	22'-6"	27'-5"	25'-7"	24'-5"	23'-1"
16"	NI-60	27'-2"	25'-4"	24'-2"	22'-10"	27'-11"	26'-1"	24'-9"	23'-1"
	NI-80	29'-0"	26'-11"	25'-8"	24'-3"	29'-7"	27'-7"	26'-4"	24'-11"
	NI-90	29'-6"	27'-5"	26'-1"	24'-8"	30'-1"	28'-1"	26'-9"	25'-4"

Notes:

1. The tabulated clear spans are based on CSA O86-14 and NBC 2015, and are applicable to residential floor construction meeting the above design criteria.
2. For multiple-span applications, the end spans shall be 40% or more of the adjacent span.
3. Minimum bearing length shall be 1-3/4 inch for end bearings, and 3-1/2 inches for intermediate bearings.
4. Bearing stiffeners are not required when I-joists are used in accordance with this table, except as required for hangers.
5. Nordic I-joists are listed in CCMC Evaluation Report 13032-R and APA Product Report PR-L274C.

Maximum Floor Spans – M2.1

Design Criteria

Spans:	Simple span
Loads:	Live load = 40 psf and dead load = 20 psf
Deflection limits:	L/480 under live load and L/240 under total load
Sheathing:	5/8 in. nailed-glued oriented strand board (OSB) sheathing

Maximum Floor Spans

Joist depth	Joist series	Bare On centre spacing				1/2 in. gypsum ceiling On centre spacing			
		12"	16"	19.2"	24"	12"	16"	19.2"	24"
9-1/2"	NI-20	15'-1"	14'-3"	13'-10"	-	15'-7"	14'-9"	14'-3"	-
	NI-40x	16'-2"	15'-3"	14'-8"	-	16'-7"	15'-8"	15'-1"	-
	NI-60	16'-4"	15'-4"	14'-10"	-	16'-9"	15'-9"	15'-3"	-
	NI-80	17'-3"	16'-3"	15'-8"	-	17'-8"	16'-7"	16'-0"	-
11-7/8"	NI-20	17'-0"	16'-0"	15'-6"	-	17'-6"	16'-7"	16'-0"	-
	NI-40x	18'-2"	17'-1"	16'-6"	-	18'-9"	17'-6"	16'-11"	-
	NI-60	18'-5"	17'-3"	16'-8"	-	19'-0"	17'-8"	17'-1"	-
	NI-80	19'-9"	18'-3"	17'-7"	-	20'-4"	18'-10"	18'-0"	-
14"	NI-90	20'-2"	18'-8"	17'-10"	-	20'-9"	19'-2"	18'-4"	-
	NI-40x	20'-1"	18'-8"	17'-10"	-	20'-10"	19'-4"	18'-6"	-
	NI-60	20'-6"	18'-11"	18'-2"	-	21'-2"	19'-8"	18'-9"	-
	NI-80	21'-11"	20'-3"	19'-4"	-	22'-7"	20'-11"	20'-0"	-
16"	NI-90	22'-5"	20'-8"	19'-9"	-	23'-0"	21'-4"	20'-4"	-
	NI-60	22'-4"	20'-8"	19'-9"	-	23'-1"	21'-5"	20'-6"	-
	NI-80	23'-11"	22'-1"	21'-1"	-	24'-8"	22'-10"	21'-9"	-
	NI-90	24'-5"	22'-6"	21'-6"	-	25'-1"	23'-2"	22'-2"	-

Joist depth	Joist series	Mid-span blocking with 1x4 inch strap On centre spacing				Mid-span blocking and 1/2 in. gypsum ceiling On centre spacing			
		12"	16"	19.2"	24"	12"	16"	19.2"	24"
9-1/2"	NI-20	16'-8"	15'-3"	14'-5"	-	16'-8"	15'-3"	14'-5"	-
	NI-40x	17'-11"	17'-0"	16'-1"	-	18'-5"	17'-1"	16'-1"	-
	NI-60	18'-2"	17'-1"	16'-4"	-	18'-8"	17'-4"	16'-4"	-
	NI-80	19'-5"	18'-0"	17'-5"	-	19'-10"	18'-5"	17'-8"	-
11-7/8"	NI-20	19'-7"	18'-2"	17'-3"	-	19'-11"	18'-3"	17'-3"	-
	NI-40x	21'-1"	19'-7"	18'-8"	-	21'-8"	20'-2"	19'-0"	-
	NI-60	21'-4"	19'-9"	18'-11"	-	21'-11"	20'-5"	19'-6"	-
	NI-80	22'-9"	21'-1"	20'-2"	-	23'-3"	21'-8"	20'-8"	-
14"	NI-90	23'-3"	21'-6"	20'-6"	-	23'-9"	22'-0"	21'-0"	-
	NI-40x	23'-8"	21'-11"	20'-11"	-	24'-4"	22'-8"	20'-11"	-
	NI-60	24'-0"	22'-3"	21'-3"	-	24'-8"	22'-11"	21'-11"	-
	NI-80	25'-7"	23'-9"	22'-7"	-	26'-2"	24'-4"	23'-3"	-
16"	NI-90	26'-1"	24'-2"	23'-0"	-	26'-8"	24'-9"	23'-7"	-
	NI-60	26'-5"	24'-6"	23'-5"	-	27'-2"	25'-3"	24'-2"	-
	NI-80	28'-2"	26'-1"	24'-10"	-	28'-10"	26'-9"	25'-6"	-
	NI-90	28'-8"	26'-6"	25'-3"	-	29'-3"	27'-2"	25'-11"	-

Notes:

- The tabulated clear spans are based on CSA O86-14 and NBC 2015, and are applicable to residential floor construction meeting the above design criteria.
- For multiple-span applications, the end spans shall be 40% or more of the adjacent span.
- Minimum bearing length shall be 1-3/4 inch for end bearings, and 3-1/2 inches for intermediate bearings.
- Bearing stiffeners are not required when I-joists are used in accordance with this table, except as required for hangers.
- Nordic I-joists are listed in CCMC Evaluation Report 13032-R and APA Product Report PR-L274C.

Maximum Floor Spans – M4.1

Design Criteria

Spans:	Simple span
Loads:	Live load = 40 psf and dead load = 20 psf
Deflection limits:	L/480 under live load and L/240 under total load
Sheathing:	3/4 in. nailed-glued oriented strand board (OSB) sheathing

Maximum Floor Spans

Joist depth	Joist series	Bare				1/2 in. gypsum ceiling			
		On centre spacing				On centre spacing			
		12"	16"	19.2"	24"	12"	16"	19.2"	24"
9-1/2"	NI-20	15'-11"	15'-0"	14'-6"	13'-5"	16'-5"	15'-5"	14'-6"	13'-5"
	NI-40x	17'-0"	16'-0"	15'-5"	14'-10"	17'-5"	16'-5"	15'-10"	14'-11"
	NI-60	17'-2"	16'-2"	15'-7"	14'-11"	17'-7"	16'-7"	16'-0"	15'-4"
	NI-80	18'-3"	17'-1"	16'-5"	15'-9"	18'-8"	17'-5"	16'-9"	16'-1"
11-7/8"	NI-20	17'-11"	16'-11"	16'-3"	15'-8"	18'-7"	17'-5"	16'-10"	16'-1"
	NI-40x	19'-4"	17'-11"	17'-3"	16'-7"	19'-11"	18'-6"	17'-9"	17'-0"
	NI-60	19'-7"	18'-2"	17'-6"	16'-9"	20'-2"	18'-9"	17'-11"	17'-2"
	NI-80	21'-1"	19'-6"	18'-6"	17'-7"	21'-7"	20'-0"	19'-0"	18'-0"
	NI-90	21'-6"	19'-10"	18'-11"	17'-11"	22'-0"	20'-4"	19'-5"	18'-4"
14"	NI-40x	21'-5"	19'-11"	18'-11"	18'-0"	22'-1"	20'-7"	19'-7"	18'-7"
	NI-60	21'-10"	20'-2"	19'-3"	18'-3"	22'-6"	20'-10"	19'-11"	18'-10"
	NI-80	23'-5"	21'-7"	20'-7"	19'-5"	24'-0"	22'-3"	21'-2"	20'-0"
	NI-90	23'-10"	22'-1"	21'-0"	19'-10"	24'-5"	22'-7"	21'-6"	20'-4"
16"	NI-60	23'-9"	22'-0"	21'-0"	19'-10"	24'-6"	22'-9"	21'-8"	20'-7"
	NI-80	25'-6"	23'-7"	22'-5"	21'-2"	26'-2"	24'-3"	23'-1"	21'-10"
	NI-90	26'-0"	24'-0"	22'-10"	21'-6"	26'-7"	24'-8"	23'-5"	22'-2"

Joist depth	Joist series	Mid-span blocking with 1x4 inch strap				Mid-span blocking and 1/2 in. gypsum ceiling			
		On centre spacing				On centre spacing			
		12"	16"	19.2"	24"	12"	16"	19.2"	24"
9-1/2"	NI-20	16'-10"	15'-5"	14'-6"	13'-5"	16'-10"	15'-5"	14'-6"	13'-5"
	NI-40x	18'-8"	17'-2"	16'-3"	14'-11"	18'-10"	17'-2"	16'-3"	14'-11"
	NI-60	18'-11"	17'-6"	16'-6"	15'-5"	19'-2"	17'-6"	16'-6"	15'-5"
	NI-80	20'-3"	18'-10"	17'-11"	16'-10"	20'-8"	19'-3"	18'-2"	16'-10"
11-7/8"	NI-20	20'-1"	18'-5"	17'-5"	16'-1"	20'-1"	18'-5"	17'-5"	16'-1"
	NI-40x	21'-10"	20'-4"	19'-0"	17'-0"	22'-5"	20'-6"	19'-0"	17'-0"
	NI-60	22'-1"	20'-7"	19'-8"	18'-4"	22'-8"	20'-10"	19'-8"	18'-4"
	NI-80	23'-8"	22'-0"	20'-11"	19'-10"	24'-1"	22'-6"	21'-6"	20'-0"
	NI-90	24'-1"	22'-5"	21'-4"	20'-2"	24'-7"	22'-11"	21'-10"	20'-7"
14"	NI-40x	24'-5"	22'-9"	20'-11"	18'-8"	25'-1"	22'-11"	20'-11"	18'-8"
	NI-60	24'-10"	23'-2"	22'-1"	20'-10"	25'-6"	23'-8"	22'-4"	20'-10"
	NI-80	26'-6"	24'-8"	23'-6"	22'-2"	27'-1"	25'-3"	24'-1"	22'-9"
	NI-90	27'-0"	25'-1"	23'-11"	22'-7"	27'-6"	25'-8"	24'-6"	23'-2"
16"	NI-60	27'-3"	25'-5"	24'-3"	22'-11"	28'-0"	26'-2"	24'-9"	23'-1"
	NI-80	29'-1"	27'-1"	25'-9"	24'-4"	29'-8"	27'-9"	26'-5"	25'-0"
	NI-90	29'-7"	27'-6"	26'-2"	24'-9"	30'-2"	28'-2"	26'-10"	25'-5"

Notes:

1. The tabulated clear spans are based on CSA O86-14 and NBC 2015, and are applicable to residential floor construction meeting the above design criteria.
2. For multiple-span applications, the end spans shall be 40% or more of the adjacent span.
3. Minimum bearing length shall be 1-3/4 inch for end bearings, and 3-1/2 inches for intermediate bearings.
4. Bearing stiffeners are not required when I-joists are used in accordance with this table, except as required for hangers.
5. Nordic I-joists are listed in CCMC Evaluation Report 13032-R and APA Product Report PR-L274C.

Maximum Floor Spans – M6.1

Design Criteria

Spans:	Simple span
Loads:	Live load = 40 psf and dead load = 20 psf
Deflection limits:	L/480 under live load and L/240 under total load
Sheathing:	5/8 in. nailed-glued Canadian softwood plywood

Maximum Floor Spans

Joist depth	Joist series	Bare				1/2 in. gypsum ceiling			
		On centre spacing				On centre spacing			
		12"	16"	19.2"	24"	12"	16"	19.2"	24"
9-1/2"	NI-20	14'-11"	14'-1"	13'-7"	-	15'-4"	14'-6"	14'-1"	-
	NI-40x	15'-11"	15'-0"	14'-6"	-	16'-4"	15'-5"	14'-11"	-
	NI-60	16'-1"	15'-2"	14'-8"	-	16'-6"	15'-7"	15'-1"	-
	NI-80	17'-1"	16'-1"	15'-6"	-	17'-5"	16'-5"	15'-10"	-
11-7/8"	NI-20	16'-9"	15'-10"	15'-4"	-	17'-4"	16'-4"	15'-10"	-
	NI-40x	17'-10"	16'-10"	16'-3"	-	18'-6"	17'-4"	16'-9"	-
	NI-60	18'-1"	17'-0"	16'-5"	-	18'-9"	17'-6"	16'-11"	-
	NI-80	19'-6"	18'-0"	17'-4"	-	20'-1"	18'-7"	17'-9"	-
	NI-90	19'-11"	18'-4"	17'-8"	-	20'-5"	18'-11"	18'-1"	-
14"	NI-40x	19'-10"	18'-4"	17'-8"	-	20'-6"	19'-1"	18'-3"	-
	NI-60	20'-2"	18'-8"	17'-11"	-	20'-10"	19'-4"	18'-6"	-
	NI-80	21'-8"	20'-0"	19'-1"	-	22'-4"	20'-8"	19'-9"	-
	NI-90	22'-1"	20'-5"	19'-6"	-	22'-9"	21'-0"	20'-1"	-
16"	NI-60	22'-0"	20'-4"	19'-6"	-	22'-9"	21'-1"	20'-2"	-
	NI-80	23'-7"	21'-10"	20'-10"	-	24'-4"	22'-6"	21'-6"	-
	NI-90	24'-1"	22'-2"	21'-2"	-	24'-9"	22'-11"	21'-10"	-

Joist depth	Joist series	Mid-span blocking with 1x4 inch strap				Mid-span blocking and 1/2 in. gypsum ceiling			
		On centre spacing				On centre spacing			
		12"	16"	19.2"	24"	12"	16"	19.2"	24"
9-1/2"	NI-20	16'-6"	15'-1"	14'-3"	-	16'-6"	15'-1"	14'-3"	-
	NI-40x	17'-9"	16'-10"	15'-11"	-	18'-2"	16'-11"	15'-11"	-
	NI-60	17'-11"	16'-11"	16'-2"	-	18'-5"	17'-2"	16'-2"	-
	NI-80	19'-3"	17'-10"	17'-3"	-	19'-8"	18'-3"	17'-7"	-
11-7/8"	NI-20	19'-4"	18'-0"	17'-1"	-	19'-9"	18'-1"	17'-1"	-
	NI-40x	20'-10"	19'-4"	18'-6"	-	21'-5"	19'-11"	19'-0"	-
	NI-60	21'-1"	19'-7"	18'-8"	-	21'-8"	20'-2"	19'-3"	-
	NI-80	22'-6"	20'-10"	19'-11"	-	23'-1"	21'-5"	20'-5"	-
14"	NI-90	23'-0"	21'-3"	20'-4"	-	23'-6"	21'-10"	20'-10"	-
	NI-40x	23'-5"	21'-8"	20'-9"	-	24'-0"	22'-5"	20'-11"	-
	NI-60	23'-9"	22'-0"	21'-0"	-	24'-5"	22'-8"	21'-8"	-
	NI-80	25'-4"	23'-6"	22'-5"	-	25'-11"	24'-1"	23'-0"	-
16"	NI-90	25'-10"	23'-11"	22'-9"	-	26'-5"	24'-6"	23'-4"	-
	NI-60	26'-2"	24'-3"	23'-2"	-	26'-11"	25'-0"	23'-11"	-
	NI-80	27'-11"	25'-10"	24'-7"	-	28'-7"	26'-6"	25'-3"	-
	NI-90	28'-5"	26'-3"	25'-0"	-	29'-0"	26'-11"	25'-8"	-

Notes:

1. The tabulated clear spans are based on CSA O86-14 and NBC 2015, and are applicable to residential floor construction meeting the above design criteria.
2. For multiple-span applications, the end spans shall be 40% or more of the adjacent span.
3. Minimum bearing length shall be 1-3/4 inch for end bearings, and 3-1/2 inches for intermediate bearings.
4. Bearing stiffeners are not required when I-joists are used in accordance with this table, except as required for hangers.
5. Nordic I-joists are listed in CCMC Evaluation Report 13032-R and APA Product Report PR-L274C.

Maximum Floor Spans – M7.1

Design Criteria

Spans:	Simple span
Loads:	Live load = 40 psf and dead load = 20 psf
Deflection limits:	L/480 under live load and L/240 under total load
Sheathing:	3/4 in. nailed-glued Canadian softwood plywood

Maximum Floor Spans

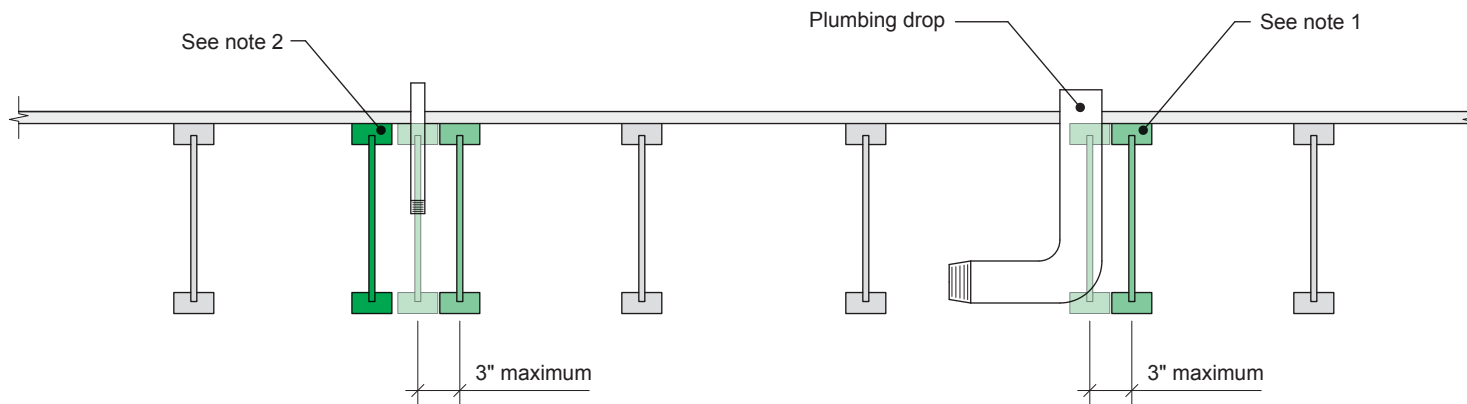
Joist depth	Joist series	Bare				1/2 in. gypsum ceiling			
		On centre spacing				On centre spacing			
		12"	16"	19.2"	24"	12"	16"	19.2"	24"
9-1/2"	NI-20	15'-10"	15'-0"	14'-5"	13'-5"	16'-4"	15'-5"	14'-6"	13'-5"
	NI-40x	16'-11"	15'-11"	15'-4"	14'-9"	17'-4"	16'-4"	15'-9"	14'-11"
	NI-60	17'-1"	16'-1"	15'-6"	14'-10"	17'-6"	16'-6"	15'-11"	15'-3"
	NI-80	18'-1"	17'-0"	16'-4"	15'-8"	18'-7"	17'-4"	16'-8"	16'-0"
11-7/8"	NI-20	17'-10"	16'-10"	16'-2"	15'-7"	18'-5"	17'-4"	16'-9"	16'-1"
	NI-40x	19'-3"	17'-10"	17'-2"	16'-6"	19'-10"	18'-5"	17'-8"	16'-11"
	NI-60	19'-6"	18'-1"	17'-4"	16'-8"	20'-1"	18'-8"	17'-10"	17'-1"
	NI-80	20'-11"	19'-4"	18'-5"	17'-7"	21'-5"	19'-10"	18'-11"	17'-11"
	NI-90	21'-4"	19'-9"	18'-9"	17'-10"	21'-10"	20'-3"	19'-3"	18'-3"
14"	NI-40x	21'-4"	19'-9"	18'-10"	17'-11"	22'-0"	20'-5"	19'-6"	18'-6"
	NI-60	21'-8"	20'-1"	19'-2"	18'-2"	22'-4"	20'-9"	19'-9"	18'-9"
	NI-80	23'-3"	21'-6"	20'-5"	19'-4"	23'-10"	22'-1"	21'-0"	19'-11"
	NI-90	23'-9"	21'-11"	20'-10"	19'-8"	24'-3"	22'-6"	21'-5"	20'-3"
16"	NI-60	23'-7"	21'-10"	20'-10"	19'-9"	24'-4"	22'-7"	21'-7"	20'-5"
	NI-80	25'-4"	23'-5"	22'-3"	21'-1"	26'-0"	24'-1"	22'-11"	21'-8"
	NI-90	25'-10"	23'-10"	22'-8"	21'-5"	26'-5"	24'-6"	23'-4"	22'-0"

Joist depth	Joist series	Mid-span blocking with 1x4 inch strap				Mid-span blocking and 1/2 in. gypsum ceiling			
		On centre spacing				On centre spacing			
		12"	16"	19.2"	24"	12"	16"	19.2"	24"
9-1/2"	NI-20	16'-10"	15'-5"	14'-6"	13'-5"	16'-10"	15'-5"	14'-6"	13'-5"
	NI-40x	18'-7"	17'-2"	16'-3"	14'-11"	18'-10"	17'-2"	16'-3"	14'-11"
	NI-60	18'-10"	17'-6"	16'-6"	15'-5"	19'-1"	17'-6"	16'-6"	15'-5"
	NI-80	20'-2"	18'-9"	17'-11"	16'-10"	20'-7"	19'-2"	18'-2"	16'-10"
11-7/8"	NI-20	20'-1"	18'-5"	17'-5"	16'-1"	20'-1"	18'-5"	17'-5"	16'-1"
	NI-40x	21'-9"	20'-3"	19'-0"	17'-0"	22'-4"	20'-5"	19'-0"	17'-0"
	NI-60	22'-0"	20'-6"	19'-7"	18'-4"	22'-7"	20'-10"	19'-8"	18'-4"
	NI-80	23'-6"	21'-10"	20'-10"	19'-9"	24'-0"	22'-5"	21'-4"	20'-0"
	NI-90	24'-0"	22'-4"	21'-3"	20'-1"	24'-6"	22'-10"	21'-9"	20'-7"
14"	NI-40x	24'-4"	22'-8"	20'-11"	18'-8"	25'-0"	22'-11"	20'-11"	18'-8"
	NI-60	24'-9"	23'-0"	22'-0"	20'-9"	25'-5"	23'-8"	22'-4"	20'-10"
	NI-80	26'-5"	24'-6"	23'-4"	22'-1"	27'-0"	25'-2"	24'-0"	22'-8"
	NI-90	26'-11"	25'-0"	23'-10"	22'-6"	27'-5"	25'-7"	24'-5"	23'-1"
16"	NI-60	27'-2"	25'-4"	24'-2"	22'-10"	27'-11"	26'-1"	24'-9"	23'-1"
	NI-80	29'-0"	26'-11"	25'-8"	24'-3"	29'-7"	27'-7"	26'-4"	24'-11"
	NI-90	29'-6"	27'-5"	26'-1"	24'-8"	30'-1"	28'-1"	26'-9"	25'-4"

Notes:

1. The tabulated clear spans are based on CSA O86-14 and NBC 2015, and are applicable to residential floor construction meeting the above design criteria.
2. For multiple-span applications, the end spans shall be 40% or more of the adjacent span.
3. Minimum bearing length shall be 1-3/4 inch for end bearings, and 3-1/2 inches for intermediate bearings.
4. Bearing stiffeners are not required when I-joists are used in accordance with this table, except as required for hangers.
5. Nordic I-joists are listed in CCMC Evaluation Report 13032-R and APA Product Report PR-L274C.

7c

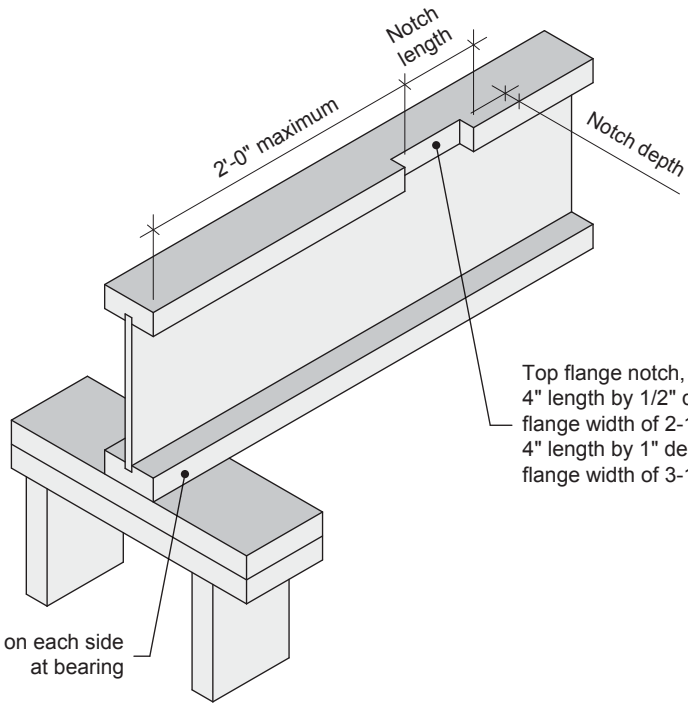


Notes:

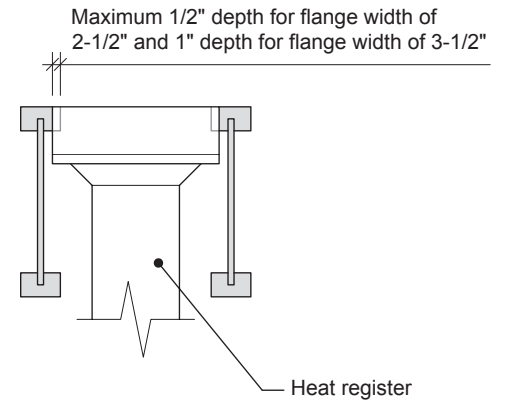
1. To prevent interference with plumbing, a joist may be shifted up to 3 inches if the edge of the floor panel is supported and the span rating is not exceeded.
2. In all other cases, an additional joist is required.

All nails shown in the details are assumed to be common nails unless otherwise noted. Nails shall have a diameter not less than 0.128 inch for 2-1/2-inch nails, or 0.144 inch for 3-inch nails. Individual components not shown to scale for clarity.

7d



Top flange notch, maximum 4" length by 1/2" depth for flange width of 2-1/2" and 4" length by 1" depth for flange width of 3-1/2"



Notes:

1. Blocking required at bearing for lateral support, not shown for clarity.
2. The maximum dimensions for a notch on the side of the top flange are 4-inch length by 1/2-inch depth for flange width of 2-1/2 inches, and 4-inch length by 1-inch depth for flange width of 3-1/2 inches.
3. This detail applies to simple-span joists and multiple-span joists where the notch is located at the end half-span.
4. For other applications, contact Nordic Structures.

All nails shown in the details are assumed to be common nails unless otherwise noted. Nails shall have a diameter not less than 0.128 inch for 2-1/2-inch nails, or 0.144 inch for 3-inch nails. Individual components not shown to scale for clarity.