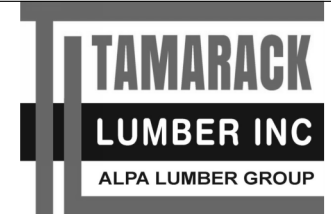


NOT THE GRANTING OF A PERMIT NOR REVIEWING OF SPECS & DRAWINGS NOR INSPECTIONS MADE DURING INSTALLATION BY THE OFFICIAL HAVING JURISDICTION SHALL RELIEVE THE OWNER FROM REQUIREMENTS OF THE ONTARIO BUILDING CODE AND ANY OTHER REFERENCED REQUIREMENTS.

Block 121 Units 7 to 12



Products				
PlotID	Length	Product	Plies	Net Qty
J1	18-00-00	11 7/8" NI-40x	1	22
J2	14-00-00	11 7/8" NI-40x	1	4
J3	12-00-00	11 7/8" NI-40x	1	3
J4	10-00-00	11 7/8" NI-40x	1	9
J5	6-00-00	11 7/8" NI-40x	1	5
J6	2-00-00	11 7/8" NI-40x	1	2
B1	14-00-00	1 3/4" x 11 7/8" (2.0E 3100) WestFraser LVL	1	1
B2	14-00-00	1 3/4" x 11 7/8" (2.0E 3100) WestFraser LVL	1	1
B5	12-00-00	1 3/4" x 11 7/8" (2.0E 3100) WestFraser LVL	2	2
B3	10-00-00	1 3/4" x 11 7/8" (2.0E 3100) WestFraser LVL	2	2
B4	4-00-00	1 3/4" x 11 7/8" (2.0E 3100) WestFraser LVL	1	1

Connector Summary		
Qty	Manuf	Product
3	H1	IUS2.56/11.88
9	H1	IUS2.56/11.88
2	H1	IUS2.56/11.88
2	H2	HUS1.81/10
1	H4	HGUS410

DWG# TF22081016 TO TF22081020



STRUCTURAL COMPONENTS ONLY
DWG# TF22081024

THIS IS A FLOOR COMPONENT PLACEMENT PLAN ONLY.

The wood beams and joists outlined on this plan are designed as individual building components to be incorporated into the design of the building at the specification of the building designer. Please see the individual beam reports, joist reports, and/or joist span tables for each component identified on this placement plan. The supporting structure is to be specified by the building designer prior to the installation of joist(s) and/or beam(s). The building designer is responsible for the bracing of the floor system and its integration into the bracing of the overall structure. All components labelled "by others" or "as per plan", and all steel beams, are not within the scope of work of this seal. The building designer must review and approve this plan to ascertain conformity to the overall structural plan of the building. All dimensions to be verified on site.

DATE: 2022-07-29

1st FLOOR FRAMING

FROM PLAN DATED: 2022/06
 BUILDER: GREENPARK HOMES
 SITE: BARLASSINA CONTSTRUCTION
 MODEL: CHERRY 1
 ELEVATION: 1,2
 LOT:
 CITY: CAMBRIDGE
 SALESMAN: RICK DICIANO
 DESIGNER: AJ
 REVISION:

REFER TO THE **NORDIC INSTALLATION GUIDE** FOR PROPER STORAGE AND INSTALLATION. **SQUASH BLOCKS** OF 2x4, 2x6, 2x8 SPF #2 REQ'D UNDER INTERIOR UNIFORM LOAD BEARING WALLS. **MULTIPLE SQUASH BLOCKS** REQ'D UNDER CONCENTRATED LOADS. SEE FIGURE 1. **CANTILEVERED JOISTS** INCLUDING **CANT' OVER BRICK** REQ. I-JOIST BLOCKING ALONG BEARING AND RIMBOARD CLOSURE AT ENDS. SEE FIGURES 4/5 FOR REINFORCEMENT REQUIREMENTS. FOR **HOLES** INCLUDING **DUCT CHASE** AND **FIELD CUT OPENINGS** SEE FIGURE 6 AND TABLES 6.1/6.2. **CERAMIC TILE APPLICATION** AS PER OBC 9.30.6.

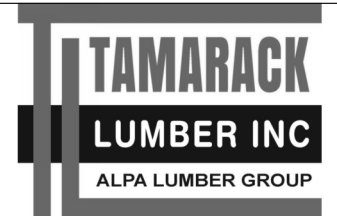
ALL **CONNECTORS** MUST BE INSTALLED AS PER THE **MANUFACTURER'S SPECIFICATIONS** USING THE MANUFACTURER **SPECIFIED FASTENERS**. ALL **BEAM HANGER FASTENERS** INSTALLED INTO THE **SUPPORTING MEMBER MUST** BE A MINIMUM OF **3.5"** IN LENGTH UNLESS OTHERWISE SPECIFIED BY THE SUPPORTING MEMBER ENGINEER OF RECORD.

LOADING:
 LIVE LOAD: 40.0 lb/ft²
 DEAD LOAD: 15.0 lb/ft²
 TILE LOAD: +5.0 lb/ft²

JOIST LL DEFLECTION LIMIT: L/480
 SUBFLOOR: 3/4" GLUED AND NAILED

NOT THE GRANTING OF A PERMIT NOR REVIEWING OF SPECS & DRAWINGS NOR INSPECTIONS MADE DURING INSTALLATION BY THE OFFICIAL HAVING JURISDICTION SHALL RELIEVE THE OWNER FROM REQUIREMENTS OF THE ONTARIO BUILDING CODE AND ANY OTHER REFERENCED REQUIREMENTS.

Block 121 Units 7 to 12



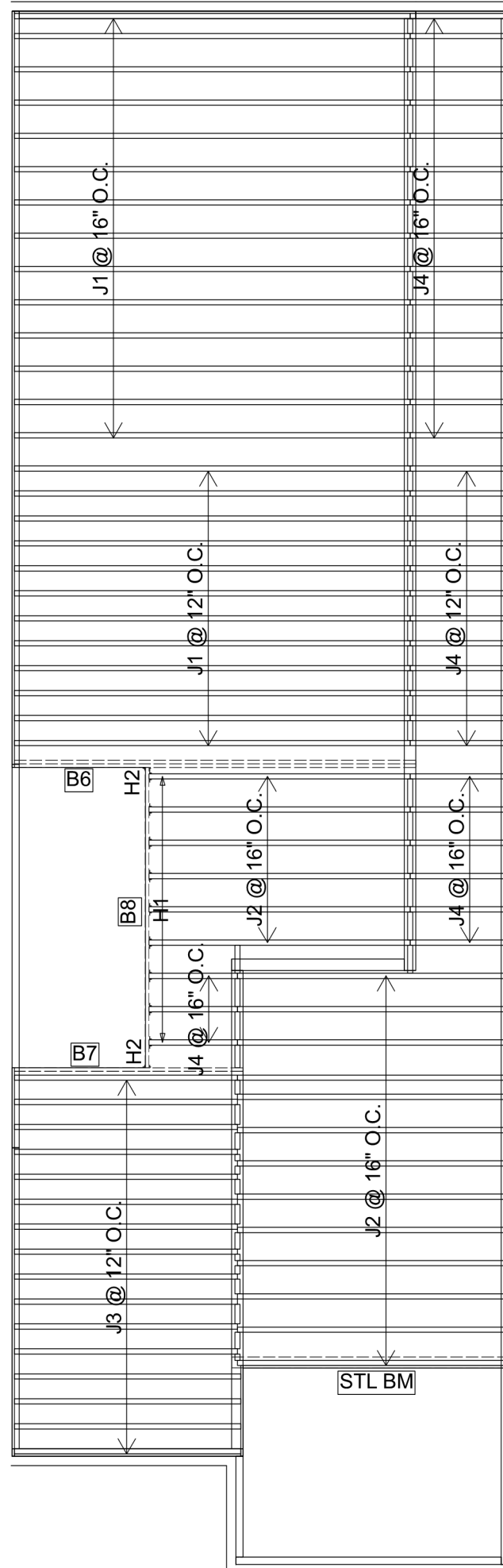
FROM PLAN DATED: 2022/06
 BUILDER: GREENPARK HOMES
 SITE: BARLASSINA CONTSTRUCTION
 MODEL: CHERRY 1
 ELEVATION: 1
 LOT:
 CITY: CAMBRIDGE
 SALESMAN: RICK DICIANO
 DESIGNER: AJ
 REVISION:

REFER TO THE **NORDIC INSTALLATION GUIDE** FOR PROPER STORAGE AND INSTALLATION.
SQUASH BLOCKS OF 2x4, 2x6, 2x8 SPF #2 REQ'D UNDER INTERIOR UNIFORM LOAD BEARING WALLS.
MULTIPLE SQUASH BLOCKS REQ'D UNDER CONCENTRATED LOADS. SEE FIGURE 1.
CANTILEVERED JOISTS INCLUDING **CANT' OVER BRICK** REQ. I-JOIST BLOCKING ALONG BEARING AND RIMBOARD CLOSURE AT ENDS. SEE FIGURES 4/5 FOR REINFORCEMENT REQUIREMENTS.
 FOR **HOLES** INCLUDING **DUCT CHASE** AND **FIELD CUT OPENINGS** SEE FIGURE 6 AND TABLES 6.1/6.2.
CERAMIC TILE APPLICATION AS PER OBC 9.30.6.

ALL **CONNECTORS** MUST BE INSTALLED AS PER THE **MANUFACTURER'S SPECIFICATIONS** USING THE MANUFACTURER **SPECIFIED FASTENERS**.
 ALL **BEAM HANGER FASTENERS** INSTALLED INTO THE **SUPPORTING MEMBER** MUST BE A MINIMUM OF **3.5"** IN LENGTH UNLESS OTHERWISE SPECIFIED BY THE SUPPORTING MEMBER ENGINEER OF RECORD.

LOADING:
 LIVE LOAD: 40.0 lb/ft²
 DEAD LOAD: 15.0 lb/ft²
 TILE LOAD: +5.0 lb/ft²

JOIST LL DEFLECTION LIMIT: L/480
 SUBFLOOR: 5/8" GLUED AND NAILED



Products				
PlotID	Length	Product	Plies	Net Qty
J1	16-00-00	11 7/8" NI-40x	1	26
J2	12-00-00	11 7/8" NI-40x	1	19
J3	10-00-00	11 7/8" NI-40x	1	16
J4	4-00-00	11 7/8" NI-40x	1	35
B6	18-00-00	1 3/4" x 11 7/8" (2.0E 3100) WestFraser LVL	2	2
B8	14-00-00	1 3/4" x 11 7/8" (2.0E 3100) WestFraser LVL	1	1
B7	10-00-00	1 3/4" x 11 7/8" (2.0E 3100) WestFraser LVL	2	2

Connector Summary		
Qty	Manuf	Product
9	H1	IUS2.56/11.88
2	H2	HUS1.81/10

DWG# TF22081021 TO TF22081023



STRUCTURAL COMPONENTS ONLY
 DWG# TF22081025

THIS IS A FLOOR COMPONENT PLACEMENT PLAN ONLY.

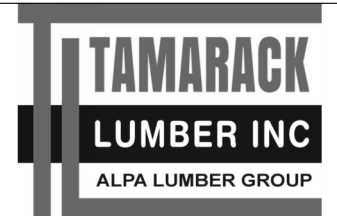
The wood beams and joists outlined on this plan are designed as individual building components to be incorporated into the design of the building at the specification of the building designer. Please see the individual beam reports, joist reports, and/or joist span tables for each component identified on this placement plan.
 The supporting structure is to be specified by the building designer prior to the installation of joist(s) and/or beam(s). The building designer is responsible for the bracing of the floor system and its integration into the bracing of the overall structure. All components labelled "by others" or "as per plan", and all steel beams, are not within the scope of work of this seal.
 The building designer must review and approve this plan to ascertain conformity to the overall structural plan of the building. All dimensions to be verified on site.

DATE: 2022-07-29

2nd FLOOR FRAMING

NOT THE GRANTING OF A PERMIT NOR REVIEWING OF SPECS & DRAWINGS NOR INSPECTIONS MADE DURING INSTALLATION BY THE OFFICIAL HAVING JURISDICTION SHALL RELIEVE THE OWNER FROM REQUIREMENTS OF THE ONTARIO BUILDING CODE AND ANY OTHER REFERENCED REQUIREMENTS.

Block 121 Units 7 to 12



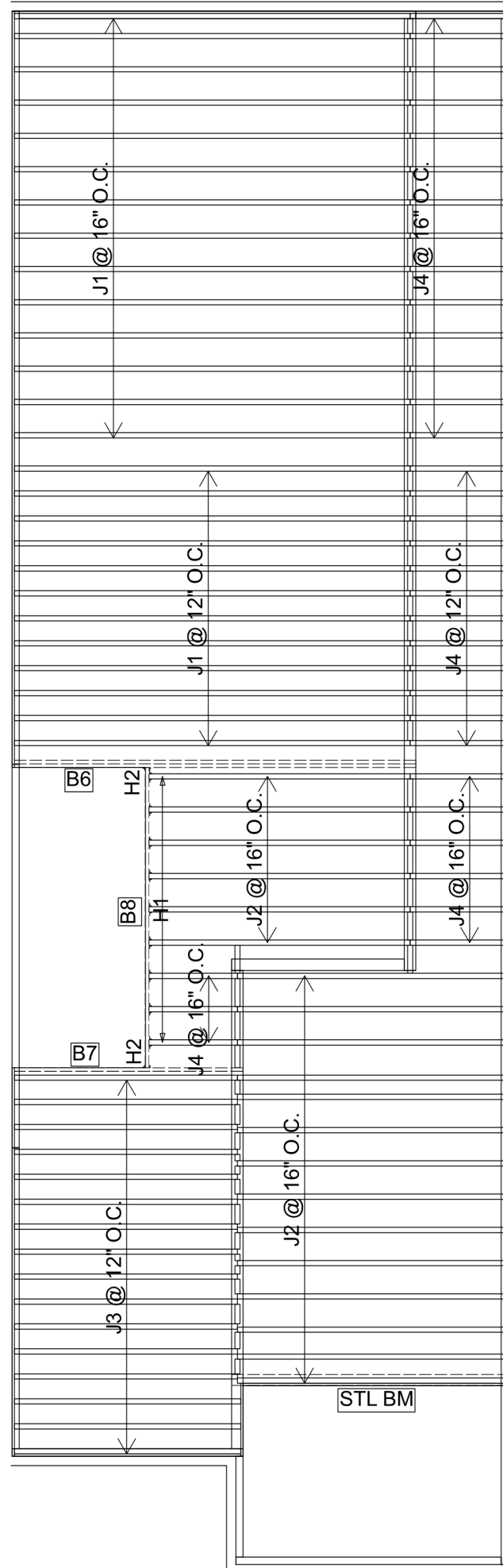
FROM PLAN DATED: 2022/06
 BUILDER: GREENPARK HOMES
 SITE: BARLASSINA CONTSTRUCTION
 MODEL: CHERRY 1
 ELEVATION: 2
 LOT:
 CITY: CAMBRIDGE
 SALESMAN: RICK DICIANO
 DESIGNER: AJ
 REVISION:

REFER TO THE **NORDIC INSTALLATION GUIDE** FOR PROPER STORAGE AND INSTALLATION.
SQUASH BLOCKS OF 2x4, 2x6, 2x8 SPF #2 REQ'D UNDER INTERIOR UNIFORM LOAD BEARING WALLS.
MULTIPLE SQUASH BLOCKS REQ'D UNDER CONCENTRATED LOADS. SEE FIGURE 1.
CANTILEVERED JOISTS INCLUDING **CANT' OVER BRICK** REQ. I-JOIST BLOCKING ALONG BEARING AND RIMBOARD CLOSURE AT ENDS. SEE FIGURES 4/5 FOR REINFORCEMENT REQUIREMENTS.
 FOR **HOLES** INCLUDING **DUCT CHASE** AND **FIELD CUT OPENINGS** SEE FIGURE 6 AND TABLES 6.1/6.2.
CERAMIC TILE APPLICATION AS PER OBC 9.30.6.

ALL **CONNECTORS** MUST BE INSTALLED AS PER THE **MANUFACTURER'S SPECIFICATIONS** USING THE MANUFACTURER **SPECIFIED FASTENERS**.
 ALL **BEAM HANGER FASTENERS** INSTALLED INTO THE **SUPPORTING MEMBER MUST** BE A MINIMUM OF **3.5"** IN LENGTH UNLESS OTHERWISE SPECIFIED BY THE SUPPORTING MEMBER ENGINEER OF RECORD.

LOADING:
 LIVE LOAD: 40.0 lb/ft²
 DEAD LOAD: 15.0 lb/ft²
 TILE LOAD: +5.0 lb/ft²

JOIST LL DEFLECTION LIMIT: L/480
 SUBFLOOR: 5/8" GLUED AND NAILED



Products				
PlotID	Length	Product	Plies	Net Qty
J1	16-00-00	11 7/8" NI-40x	1	26
J2	12-00-00	11 7/8" NI-40x	1	20
J3	10-00-00	11 7/8" NI-40x	1	16
J4	4-00-00	11 7/8" NI-40x	1	35
B6	18-00-00	1 3/4" x 11 7/8" (2.0E 3100) WestFraser LVL	2	2
B8	14-00-00	1 3/4" x 11 7/8" (2.0E 3100) WestFraser LVL	1	1
B7	10-00-00	1 3/4" x 11 7/8" (2.0E 3100) WestFraser LVL	2	2

Connector Summary		
Qty	Manuf	Product
9	H1	IUS2.56/11.88
2	H2	HUS1.81/10

DWG# TF22081021 TO TF22081023



STRUCTURAL COMPONENTS ONLY
 DWG# TF22081026

THIS IS A FLOOR COMPONENT PLACEMENT PLAN ONLY.

The wood beams and joists outlined on this plan are designed as individual building components to be incorporated into the design of the building at the specification of the building designer. Please see the individual beam reports, joist reports, and/or joist span tables for each component identified on this placement plan.
 The supporting structure is to be specified by the building designer prior to the installation of joist(s) and/or beam(s). The building designer is responsible for the bracing of the floor system and its integration into the bracing of the overall structure. All components labelled "by others" or "as per plan", and all steel beams, are not within the scope of work of this seal.
 The building designer must review and approve this plan to ascertain conformity to the overall structural plan of the building. All dimensions to be verified on site.

DATE: 2022-07-29

2nd FLOOR FRAMING



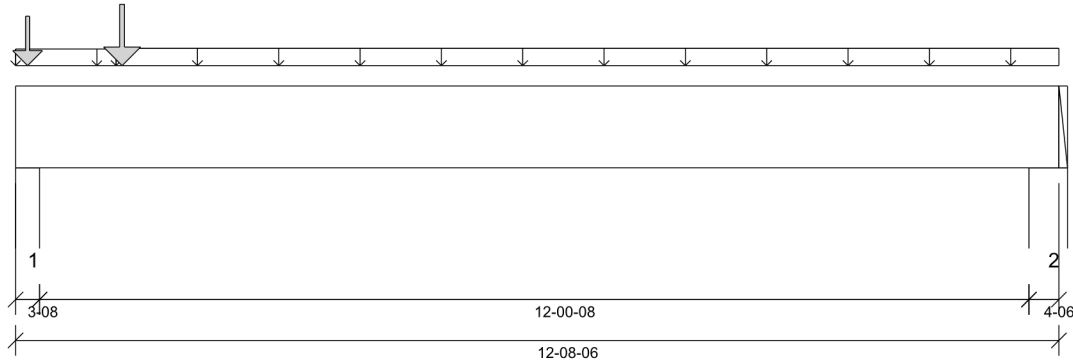
BUILDER: **GREENPARK HOMES**
 SITE: **BARLASSINA CONSTRUCTION**
 MODEL: **CHERRY 1**
 CITY: **COMBRIDGE**

Job Name: **CHERRY 1 EL 1**
 Level: **1ST FLR FRAMING**
 Label: **B1 - i947**
 Type: **Beam**

1 Ply Member
1 3/4" x 11 7/8" (2.0E 3100)
WestFraser LVL

Status:
Design Passed

Illustration Not to Scale. Pitch: 0/12 Designed by Single Member Design Engine in MiTek® Structure Version 8.5.3.233.Update5.15 Report Version: 2021.03.26 08/17/2022 07:34



DESIGN INFORMATION

Building Code: NBCC 2015, Part9, BCBC 2018, ABC 2019, OBC 2012 (2019 Amendment)
 Design Methodology: LSD
 Service Condition: Dry
 LL Deflection Limit: L/360,
 TL Deflection Limit: L/240,

Lateral Restraint Requirements:

Both ends of the member and the outer supports must be laterally restrained. Top and bottom edges of the member must be fully restrained or have the following maximum unbraced length:
 Top: 0' Bottom: 10'- 11 9/16"

Factored Resistance of Support Material:

- 615 psi Wall @ 0'- 2 1/2"
- 615 psi Wall @ 12'- 5"

ANALYSIS RESULTS

Design Criteria	Location	Load Combination	LDF	Design	Limit	Result
Factored Pos. Moment:	4'- 9 9/16"	1.25D + 1.5L	1.00	1855 lb ft	17672 lb ft	Passed - 10%
Factored Neg. Moment:	0'- 2 1/2"	1.25D + 1.5L	1.00	54 lb ft	4095 lb ft	Passed - 1%
Factored Shear:	1'- 3 3/8"	1.25D + 1.5L	1.00	1371 lb	6908 lb	Passed - 20%
Live Load (LL) Pos. Defl.:	5'- 11 9/16"	L		0.047"	L/360	Passed - L/999
Total Load (TL) Pos. Defl.:	5'- 11 7/8"	D + L		0.077"	L/240	Passed - L/999

SUPPORT AND REACTION INFORMATION

ID	Input Bearing Length	Controlling Load Combination	LDF	Factored Downward Reaction	Factored Uplift Reaction	Factored Resistance of Member	Factored Resistance of Support	Result
1	3-08	1.25D + 1.5L	1.00	2278 lb		6370 lb	3768 lb	Passed - 60%
2	4-06	1.25D + 1.5L	1.00	511 lb		7962 lb	4710 lb	Passed - 11%

SPECIFIED LOADS

Type	Start Loc	End Loc	Source	Face	Dead (D)	Live (L)	Snow (S)	Wind (W)
Self Weight	0'	12'- 8 3/8"	Self Weight	Top	6 lb/ft	-	-	-
Uniform	-0'	1'- 2 11/16"	FC1 Floor Decking (Plan View Fill)	Top	9 lb/ft	17 lb/ft	-	-
Uniform	1'- 2 11/16"	12'- 8 3/8"	FC1 Floor Decking (Plan View Fill)	Top	13 lb/ft	27 lb/ft	-	-
Point	1'- 3 9/16"	1'- 3 9/16"	B4(i990)	Front	277 lb	533 lb	-	-
Point	0'- 1 3/4"	0'- 1 3/4"	User Load	Top	200 lb	400 lb	-	-

UNFACTORED REACTIONS

ID	Start Loc	End Loc	Source	Dead (D)	Live (L)	Snow (S)	Wind (W)
1	0'	0'- 3 1/2"	1(i20)	573 lb	1052 lb	-	-
2	12'- 4"	12'- 8 3/8"	W9(i18)	144 lb	210 lb	-	-

DESIGN NOTES

- The dead loads used in the design of this member were applied to the structure as sloped dead loads.
- Analysis and Design has been performed using precision loading from actual modeled conditions. Some loads may have been modified to simplify reporting.
- Tributary Loads have been generated based on actual spacing between members in the model which may differ from the default system spacing. The actual loads applied to the member are shown in the Specified Loads table.
- Transfer reactions may differ from design results as allowed per building codes and standard load distribution practices.
- This report is based on modeled conditions input by the user. Source information for the loads and supports are provided for reference only. Verify that all loads and support conditions are correct.
- Review all loads and reactions to ensure that the member/bearing/connector/structure can resist adequately. Unless already specified on this report, anchorage for uplift reactions to be specified by others. Installation of member and accessories (if required) as per manufacturer's instruction.
- When the applied loads are coming from a member/post/wall above that does not sit directly on this beam, adequate load transfer elements, such as squash blocks, wall studs, or beveled plates are required to transfer the loads to this beam.



STRUCTURAL COMPONENT ONLY
 DWG # TF22081016



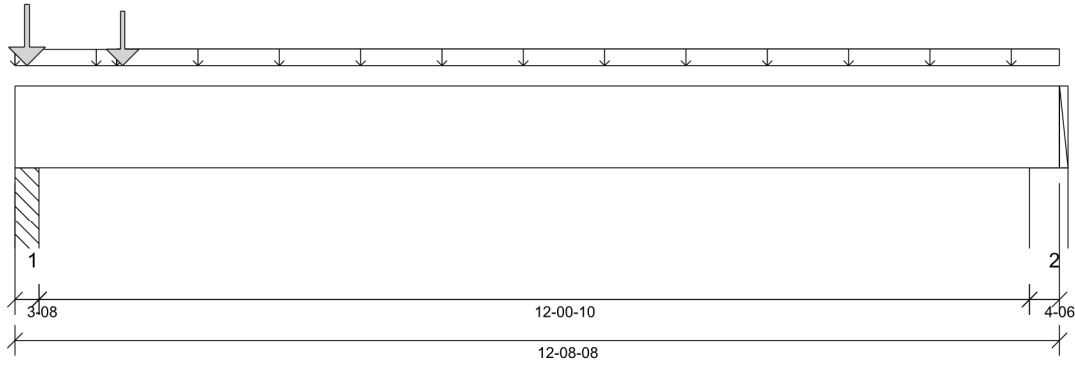
BUILDER: **GREENPARK HOMES**
 SITE: **BARLASSINA CONSTRUCTION**
 MODEL: **CHERRY 1**
 CITY: **COMBRIDGE**

Job Name: **CHERRY 1 EL 1**
 Level: **1ST FLR FRAMING**
 Label: **B2 - i986**
 Type: **Beam**

1 Ply Member
1 3/4" x 11 7/8" (2.0E 3100)
WestFraser LVL

Status:
Design Passed

Illustration Not to Scale. Pitch: 0/12 Designed by Single Member Design Engine in MiTek® Structure Version 8.5.3.233.Update5.15 Report Version: 2021.03.26 08/17/2022 07:34



DESIGN INFORMATION

Building Code: NBCC 2015, Part9, BCBC 2018, ABC 2019, OBC 2012 (2019 Amendment)
 Design Methodology: LSD
 Service Condition: Dry
 LL Deflection Limit: L/360,
 TL Deflection Limit: L/240,

Lateral Restraint Requirements:
 Both ends of the member and the outer supports must be laterally restrained. Top and bottom edges of the member must be fully restrained or have the following maximum unbraced length:
 Top: 0' Bottom: 10'- 11 9/16"

Factored Resistance of Support Material:

- 615 psi Column @ 0'- 2 1/2"
- 615 psi Wall @ 12'- 5 1/8"

ANALYSIS RESULTS

Design Criteria	Location	Load Combination	LDF	Design	Limit	Result
Factored Pos. Moment:	4'- 1/2"	1.25D + 1.5L	1.00	1633 lb ft	17672 lb ft	Passed - 9%
Factored Neg. Moment:	0'- 2 1/2"	1.25D + 1.5L	1.00	94 lb ft	4095 lb ft	Passed - 2%
Factored Shear:	1'- 3 3/8"	1.25D + 1.5L	1.00	1392 lb	6908 lb	Passed - 20%
Live Load (LL) Pos. Defl.:	5'- 10 3/8"	L		0.040"	L/360	Passed - L/999
Total Load (TL) Pos. Defl.:	5'- 10 7/8"	D + L		0.066"	L/240	Passed - L/999

SUPPORT AND REACTION INFORMATION

ID	Input Bearing Length	Controlling Load Combination	LDF	Factored Downward Reaction	Factored Uplift Reaction	Factored Resistance of Member	Factored Resistance of Support	Result
1	3-08	1.25D + 1.5L	1.00	2923 lb		6370 lb	3767 lb	Passed - 78%
2	4-06	1.25D + 1.5L	1.00	407 lb		7962 lb	4710 lb	Passed - 9%

SPECIFIED LOADS

Type	Start Loc	End Loc	Source	Face	Dead (D)	Live (L)	Snow (S)	Wind (W)
Self Weight	0'	12'- 8 1/2"	Self Weight	Top	6 lb/ft	-	-	-
Uniform	-0'	1'- 2 7/8"	FC1 Floor Decking (Plan View Fill)	Top	6 lb/ft	12 lb/ft	-	-
Uniform	1'- 2 7/8"	12'- 8 1/2"	FC1 Floor Decking (Plan View Fill)	Top	9 lb/ft	18 lb/ft	-	-
Point	1'- 3 3/4"	1'- 3 3/4"	B4(i990)	Back	305 lb	588 lb	-	-
Point	0'- 1 3/4"	0'- 1 3/4"	User Load	Top	350 lb	700 lb	-	-

UNFACTORED REACTIONS

ID	Start Loc	End Loc	Source	Dead (D)	Live (L)	Snow (S)	Wind (W)
1	0'	0'- 3 1/2"	PBO1(i26)	727 lb	1360 lb	-	-
2	12'- 4 1/8"	12'- 8 1/2"	W9(i18)	117 lb	157 lb	-	-

DESIGN NOTES

- The dead loads used in the design of this member were applied to the structure as sloped dead loads.
- Analysis and Design has been performed using precision loading from actual modeled conditions. Some loads may have been modified to simplify reporting.
- Tributary Loads have been generated based on actual spacing between members in the model which may differ from the default system spacing. The actual loads applied to the member are shown in the Specified Loads table.
- Transfer reactions may differ from design results as allowed per building codes and standard load distribution practices.
- This report is based on modeled conditions input by the user. Source information for the loads and supports are provided for reference only. Verify that all loads and support conditions are correct.
- Review all loads and reactions to ensure that the member/bearing/connector/structure can resist adequately. Unless already specified on this report, anchorage for uplift reactions to be specified by others. Installation of member and accessories (if required) as per manufacturer's instruction.
- When the applied loads are coming from a member/post/wall above that does not sit directly on this beam, adequate load transfer elements, such as squash blocks, wall studs, or beveled plates are required to transfer the loads to this beam.



STRUCTURAL COMPONENT ONLY
 DWG # TF22081017



BUILDER: **GREENPARK HOMES**
 SITE: **BARLASSINA CONSTRUCTION**
 MODEL: **CHERRY 1**
 CITY: **COMBRIDGE**

Job Name: **CHERRY 1 EL 1**
 Level: **1ST FLR FRAMING**
 Label: **B3 - i944**
 Type: **Beam**

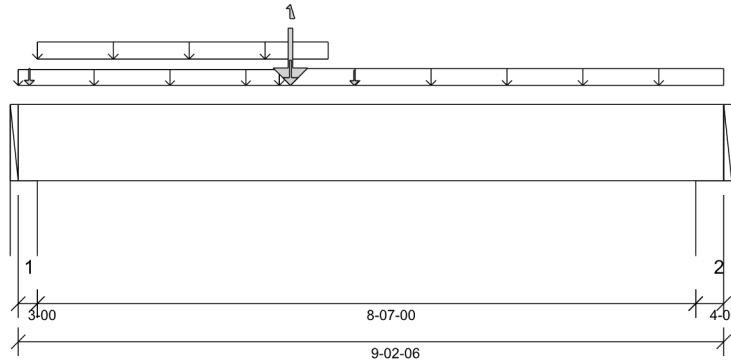
2 Ply Member
1 3/4" x 11 7/8" (2.0E 3100)
WestFraser LVL

Status:
Design Passed

Illustration Not to Scale. Pitch: 0/12

Designed by Single Member Design Engine in MiTek® Structure Version 8.5.3.233.Update5.15

Report Version: 2021.03.26 08/17/2022 07:34



DESIGN INFORMATION

Building Code: NBCC 2015, Part9, BCBC 2018, ABC 2019, OBC 2012 (2019 Amendment)
 Design Methodology: LSD
 Service Condition: Dry
 LL Deflection Limit: L/360,
 TL Deflection Limit: L/240,

Lateral Restraint Requirements:

Both ends of the member and the outer supports must be laterally restrained. Top and bottom edges of the member must be fully restrained or have the following maximum unbraced length:
 Top: 0' Bottom: 5'- 1 11/16"

Factored Resistance of Support Material:

- 615 psi Wall @ 0'- 2"
- 615 psi Wall @ 8'- 11"

PLY TO PLY CONNECTION:

4 ROWS OF 3.25" PNEUMATIC GUN NAILS (0.120"x3.25") @ 12" O/C

PLY TO PLY CONNECTION ASSUMES ANY SUPPORTED BEAM HANGERS ARE FASTENED TO THIS BEAM WITH MIN. 3.5" FASTENERS.



STRUCTURAL COMPONENT ONLY
 DWG # TF22081018

ANALYSIS RESULTS

Design Criteria	Location	Load Combination	LDF	Design	Limit	Result
Factored Pos. Moment:	3'- 6 9/16"	1.25D + 1.5L	1.00	9794 lb ft	35345 lb ft	Passed - 28%
Factored Shear:	1'- 2 7/8"	1.25D + 1.5L	1.00	2981 lb	13815 lb	Passed - 22%
Live Load (LL) Pos. Defl.:	4'- 3 7/16"	L		0.050"	L/360	Passed - L/999
Total Load (TL) Pos. Defl.:	4'- 3 7/16"	D + L		0.083"	L/240	Passed - L/999

SUPPORT AND REACTION INFORMATION

ID	Input Bearing Length	Controlling Load Combination	LDF	Factored Downward Reaction	Factored Uplift Reaction	Factored Resistance of Member	Factored Resistance of Support	Result
1	3-00	1.25D + 1.5L	1.00	3318 lb		10920 lb	6460 lb	Passed - 51%
2	4-06	1.25D + 1.5L	1.00	2109 lb		15925 lb	9420 lb	Passed - 22%

SPECIFIED LOADS

Type	Start Loc	End Loc	Source	Face	Dead (D)	Live (L)	Snow (S)	Wind (W)
Self Weight	0'	9'- 2 3/8"	Self Weight	Top	12 lb/ft	-	-	-
Uniform	0'	3'- 4 13/16"	FC1 Floor Decking (Plan View Fill)	Top	11 lb/ft	22 lb/ft	-	-
Uniform	0'- 3"	4'- 1/2"	User Load	Top	60 lb/ft	-	-	-
Uniform	3'- 4 13/16"	9'- 2 3/8"	FC1 Floor Decking (Plan View Fill)	Top	18 lb/ft	35 lb/ft	-	-
Point	3'- 6 9/16"	3'- 6 9/16"	B5(i901)	Back	854 lb	1493/-1 lb	-	-
Point	0'- 1 3/4"	0'- 1 3/4"	E5(i83)	Top	85 lb	53 lb	-	-
Point	3'- 6 9/16"	3'- 6 9/16"	User Load	Top	200 lb	400 lb	-	-
Point	4'- 4 9/16"	4'- 4 9/16"	FC1 Floor Decking (Plan View Fill)	Top	16 lb	31 lb	-	-

UNFACTORED REACTIONS

ID	Start Loc	End Loc	Source	Dead (D)	Live (L)	Snow (S)	Wind (W)
1	0'	0'- 3"	E7(i13)	1051 lb	1386/-1 lb	-	-
2	8'- 10"	9'- 2 3/8"	W11(i17)	581 lb	873 lb	-	-

DESIGN NOTES

- The dead loads used in the design of this member were applied to the structure as sloped dead loads.
- Lateral stability factor (KL) was based on user preference to use the width of all plies. (Consult with manufacturer for guideline pertaining to this design option.)
- Analysis and Design has been performed using precision loading from actual modeled conditions. Some loads may have been modified to simplify reporting.
- Tributary Loads have been generated based on actual spacing between members in the model which may differ from the default system spacing. The actual loads applied to the member are shown in the Specified Loads table.
- Transfer reactions may differ from design results as allowed per building codes and standard load distribution practices.
- This report is based on modeled conditions input by the user. Source information for the loads and supports are provided for reference only. Verify that all loads and support conditions are correct.
- Review all loads and reactions to ensure that the member/bearing/connector/structure can resist adequately. Unless already specified on this report, anchorage for uplift reactions to be specified by others. Installation of member and accessories (if required) as per manufacturer's instruction.
- When the applied loads are coming from a member/post/wall above that does not sit directly on this beam, adequate load transfer elements, such as squash blocks, wall studs, or beveled plates are required to transfer the loads to this beam.

PLY TO PLY CONNECTION

- Member design assumed proper ply to ply connection by others. Fastener spacing along length of member must not exceed 4 times depth of member. Verify connection between plies according to code specification and follow the manufacturer's installation instruction. Loads assumed to be distributed equally to each ply.



BUILDER: **GREENPARK HOMES**
 SITE: **BARLASSINA CONSTRUCTION**
 MODEL: **CHERRY 1**
 CITY: **COMBRIDGE**

Job Name: **CHERRY 1 EL 1**
 Level: **1ST FLR FRAMING**
 Label: **B4 - i990**
 Type: **Beam**

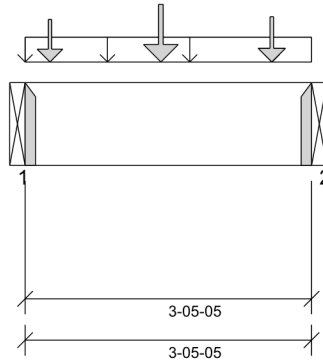
1 Ply Member
1 3/4" x 11 7/8" (2.0E 3100)
WestFraser LVL

Status:
Design Passed

Illustration Not to Scale. Pitch: 0/12

Designed by Single Member Design Engine in MiTek® Structure Version 8.5.3.233.Update5.15

Report Version: 2021.03.26 08/17/2022 07:34



DESIGN INFORMATION

Building Code: NBCC 2015, Part9, BCBC 2018, ABC 2019, OBC 2012 (2019 Amendment)
 Design Methodology: LSD
 Service Condition: Dry
 LL Deflection Limit: L/360,
 TL Deflection Limit: L/240,

Lateral Restraint Requirements:

Both ends of the member and the outer supports must be laterally restrained. Top and bottom edges of the member must be fully restrained or have the following maximum unbraced length:

Top: 0' Bottom: 1'- 1 1/2"

Factored Resistance of Support Material:

- 615 psi Beam @ 0'
- 615 psi Beam @ 3'- 5 5/16"

ANALYSIS RESULTS

Design Criteria	Location	Load Combination	LDF	Design	Limit	Result
Factored Pos. Moment:	1'- 7 9/16"	1.25D + 1.5L	1.00	1106 lb ft	17672 lb ft	Passed - 6%
Factored Shear:	0'- 11 7/8"	1.25D + 1.5L	1.00	557 lb	6908 lb	Passed - 8%

SUPPORT AND REACTION INFORMATION

ID	Input Bearing Length	Controlling Load Combination	LDF	Factored Downward Reaction	Factored Uplift Reaction	Factored Resistance of Member	Factored Resistance of Support	Result
1	1-08	1.25D + 1.5L	1.00	1227 lb		2730 lb	-	Passed - 45%
2	1-08	1.25D + 1.5L	1.00	1182 lb		2730 lb	-	Passed - 43%

CONNECTOR INFORMATION

ID	Part No.	Manufacturer	Nailing Requirements			Other Information or Requirement for Reinforcement Accessories
			Top	Face	Member	
1	HUS1.81/10		-	-	-	Connector manually specified by the user.
2	HUS1.81/10		-	-	-	Connector manually specified by the user.

* Connectors: Refer to manufacturer's specifications, fasteners requirements and installation instruction. Where header fasteners are longer than the width of the supporting member, install backer block or clinch header nails.

SPECIFIED LOADS

Type	Start Loc	End Loc	Source	Face	Dead (D)	Live (L)	Snow (S)	Wind (W)
Self Weight	0'	3'- 5 5/16"	Self Weight	Top	6 lb/ft	-	-	-
Uniform	0'	3'- 5 5/16"	User Load	Back	60 lb/ft	120 lb/ft	-	-
Point	0'- 3 9/16"	0'- 3 9/16"	J3(i897)	Front	97 lb	193 lb	-	-
Point	1'- 7 9/16"	1'- 7 9/16"	J3(i938)	Front	151 lb	302 lb	-	-
Point	2'- 11 9/16"	2'- 11 9/16"	J3(i876)	Front	107 lb	213 lb	-	-

UNFACTORED REACTIONS

ID	Start Loc	End Loc	Source	Dead (D)	Live (L)	Snow (S)	Wind (W)
1	0'	0'	B2(i986)	305 lb	588 lb	-	-
2	3'- 5 5/16"	3'- 5 5/16"	B1(i947)	277 lb	533 lb	-	-

DESIGN NOTES

- The dead loads used in the design of this member were applied to the structure as sloped dead loads.
- Analysis and Design has been performed using precision loading from actual modeled conditions. Some loads may have been modified to simplify reporting.
- Tributary Loads have been generated based on actual spacing between members in the model which may differ from the default system spacing. The actual loads applied to the member are shown in the Specified Loads table.
- Transfer reactions may differ from design results as allowed per building codes and standard load distribution practices.
- This report is based on modeled conditions input by the user. Source information for the loads and supports are provided for reference only. Verify that all loads and support conditions are correct.
- Review all loads and reactions to ensure that the member/bearing/connector/structure can resist adequately. Unless already specified on this report, anchorage for uplift reactions to be specified by others. Installation of member and accessories (if required) as per manufacturer's instruction.
- When the applied loads are coming from a member/post/wall above that does not sit directly on this beam, adequate load transfer elements, such as squash blocks, wall studs, or beveled plates are required to transfer the loads to this beam.



STRUCTURAL COMPONENT ONLY
 DWG # TF22081019



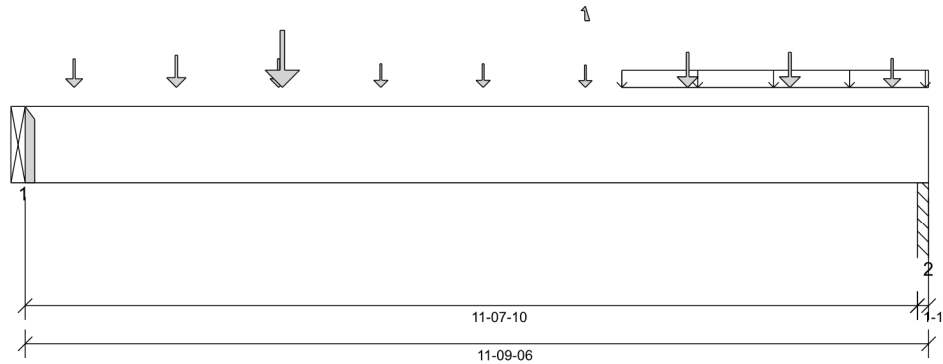
BUILDER: **GREENPARK HOMES**
 SITE: **BARLASSINA CONSTRUCTION**
 MODEL: **CHERRY 1**
 CITY: **COMBRIDGE**

Job Name: **CHERRY 1 EL 1**
 Level: **1ST FLR FRAMING**
 Label: **B5 - i01**
 Type: **Beam**

2 Ply Member
1 3/4" x 11 7/8" (2.0E 3100)
WestFraser LVL

Status:
Design Passed

Illustration Not to Scale. Pitch: 0/12 Designed by Single Member Design Engine in MiTek® Structure Version 8.5.3.233.Update5.15 Report Version: 2021.03.26 08/17/2022 07:34



DESIGN INFORMATION

Building Code: NBCC 2015, Part9, BCBC 2018, ABC 2019, OBC 2012 (2019 Amendment)
 Design Methodology: LSD
 Service Condition: Dry
 LL Deflection Limit: L/360,
 TL Deflection Limit: L/240,

Lateral Restraint Requirements:

Both ends of the member and the outer supports must be laterally restrained. Top and bottom edges of the member must be fully restrained or have the following maximum unbraced length:
 Top: 0' Bottom: 1'- 1 1/2"

Factored Resistance of Support Material:

- 615 psi Beam @ 0'
- 615 psi Column @ 11'- 8 5/8"

PLY TO PLY CONNECTION:
4 ROWS OF 3.25" PNEUMATIC GUN NAILS (0.120"x3.25") @ 12" O/C

PLY TO PLY CONNECTION ASSUMES ANY SUPPORTED BEAM HANGERS ARE FASTENED TO THIS BEAM WITH MIN. 3.5" FASTENERS.

ANALYSIS RESULTS

Design Criteria	Location	Load Combination	LDF	Design	Limit	Result
Factored Pos. Moment:	4'- 7 11/16"	1.25D + 1.5L	1.00	9038 lb ft	35345 lb ft	Passed - 26%
Factored Shear:	0'- 11 7/8"	1.25D + 1.5L	1.00	3306 lb	13815 lb	Passed - 24%
Live Load (LL) Pos. Defl.:	5'- 8 5/16"	L		0.106"	L/360	Passed - L/999
Total Load (TL) Pos. Defl.:	5'- 8 3/4"	D + L		0.171"	L/240	Passed - L/818

SUPPORT AND REACTION INFORMATION

ID	Input Bearing Length	Controlling Load Combination	LDF	Factored Downward Reaction	Factored Uplift Reaction	Factored Resistance of Member	Factored Resistance of Support	Result
1	1-08	1.25D + 1.5L	1.00	3321 lb		5460 lb	-	Passed - 61%
2	1-12	1.25D + 1.5L	1.00	3150 lb		6370 lb	3767 lb	Passed - 84%

CONNECTOR INFORMATION

ID	Part No.	Manufacturer	Nailing Requirements			Other Information or Requirement for Reinforcement Accessories
			Top	Face	Member	
1	HGUS410		-	-	-	Connector manually specified by the user.

* Connectors: Refer to manufacturer's specifications, fasteners requirements and installation instruction. Where header fasteners are longer than the width of the supporting member, install backer block or clinch header nails.

SPECIFIED LOADS

Type	Start Loc	End Loc	Source	Face	Dead (D)	Live (L)	Snow (S)	Wind (W)
Self Weight	0'	11'- 9 3/8"	Self Weight	Top	12 lb/ft	-	-	-
Uniform	7'- 9 3/8"	11'- 9 3/8"	User Load	Top	60 lb/ft	-	-	-
Point	0'- 7 11/16"	0'- 7 11/16"	J5(i995)	Front	116 lb	232 lb	-	-
Point	1'- 11 11/16"	1'- 11 11/16"	J5(i907)	Front	147 lb	293 lb	-	-
Point	3'- 3 11/16"	3'- 3 11/16"	J5(i852)	Front	117 lb	234 lb	-	-
Point	4'- 7 11/16"	4'- 7 11/16"	J5(i936)	Front	77 lb	155 lb	-	-
Point	5'- 11 11/16"	5'- 11 11/16"	J5(i863)	Front	77 lb	154 lb	-	-
Point	7'- 3 11/16"	7'- 3 11/16"	J2(i926)	Front	66 lb	135/-3 lb	-	-
Point	8'- 7 11/16"	8'- 7 11/16"	J2(i878)	Front	170 lb	339 lb	-	-
Point	9'- 11 11/16"	9'- 11 11/16"	J2(i875)	Front	170 lb	339 lb	-	-
Point	11'- 3 11/16"	11'- 3 11/16"	J2(i939)	Front	121 lb	241 lb	-	-
Point	3'- 4 1/4"	3'- 4 1/4"	User Load	Top	350 lb	700 lb	-	-

UNFACTORED REACTIONS

ID	Start Loc	End Loc	Source	Dead (D)	Live (L)	Snow (S)	Wind (W)
1	0'	0'	B3(i944)	854 lb	1493/-1 lb	-	-
2	11'- 7 5/8"	11'- 9 3/8"	PBO1(i26)	936 lb	1329/-2 lb	-	-

DESIGN NOTES

- The dead loads used in the design of this member were applied to the structure as sloped dead loads.
- Lateral stability factor (KL) was based on user preference to use the width of all plies. (Consult with manufacturer for guideline pertaining to this design option.)
- Analysis and Design has been performed using precision loading from actual modeled conditions. Some loads may have been modified to simplify reporting.
- Tributary Loads have been generated based on actual spacing between members in the model which may differ from the default system spacing. The actual loads applied to the member are shown in the Specified Loads table.
- Transfer reactions may differ from design results as allowed per building codes and standard load distribution practices.
- This report is based on modeled conditions input by the user. Source information for the loads and supports are provided for reference only. Verify that all loads and support conditions are correct.
- Review all loads and reactions to ensure that the member/bearing/connector/structure can resist adequately. Unless already specified on this report, anchorage for uplift reactions to be specified by others. Installation of member and accessories (if required) as per manufacturer's instruction.
- When the applied loads are coming from a member/post/wall above that does not sit directly on this beam, adequate load transfer elements, such as squash blocks, wall studs, or beveled plates are required to transfer the loads to this beam.

PLY TO PLY CONNECTION





BUILDER: **GREENPARK HOMES**
SITE: **BARLASSINA CONTSTRUCTION**
MODEL: **CHERRY 1**
CITY: **COMBRIDGE**

Job Name: **CHERRY 1 EL 1**
Level: **1ST FLR FRAMING**
Label: **B5 - i901**
Type: **Beam**

2 Ply Member
1 3/4" x 11 7/8" (2.0E 3100)
WestFraser LVL

Status:
**Design
Passed**

PLY TO PLY CONNECTION

- Member design assumed proper ply to ply connection by others. Fastener spacing along length of member must not exceed 4 times depth of member. Verify connection between plies according to code specification and follow the manufacturer's installation instruction. Loads assumed to be distributed equally to each ply.





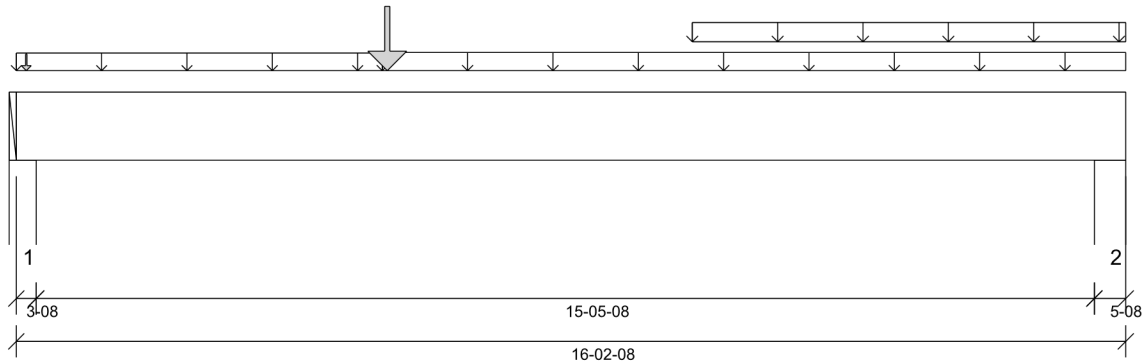
BUILDER: GREENPARK HOMES
SITE: BARLASSINA CONSTRUCTION
MODEL: CHERRY 1
CITY: COMBRIDGE

Job Name: CHERRY 1 EL 1
Level: 2ND FLR FRAMING
Label: B6 - i867
Type: Beam

2 Ply Member
1 3/4" x 11 7/8" (2.0E 3100)
WestFraser LVL

Status:
Design Passed

Illustration Not to Scale. Pitch: 0/12 Designed by Single Member Design Engine in MiTek® Structure Version 8.5.3.233.Update5.15 Report Version: 2021.03.26 08/17/2022 07:34



DESIGN INFORMATION

Building Code: NBCC 2015, Part9, BCBC 2018, ABC 2019, OBC 2012 (2019 Amendment)
 Design Methodology: LSD
 Service Condition: Dry
 LL Deflection Limit: L/360,
 TL Deflection Limit: L/240,

Lateral Restraint Requirements:

Both ends of the member and the outer supports must be laterally restrained. Top and bottom edges of the member must be fully restrained or have the following maximum unbraced length:
 Top: 0' Bottom: 10'- 3 1/16"

Factored Resistance of Support Material:

- 615 psi Wall @ 0'- 2 1/2"
- 615 psi Wall @ 15'- 10"

PLY TO PLY CONNECTION:
 4 ROWS OF 3.25" PNEUMATIC GUN NAILS (0.120"x3.25") @ 12" O/C

PLY TO PLY CONNECTION ASSUMES ANY SUPPORTED BEAM HANGERS ARE FASTENED TO THIS BEAM WITH MIN. 3.5" FASTENERS.

ANALYSIS RESULTS

Design Criteria	Location	Load Combination	LDF	Design	Limit	Result
Factored Pos. Moment:	5'- 5"	1.25D + 1.5L	1.00	16923 lb ft	35345 lb ft	Passed - 48%
Factored Shear:	1'- 3 3/8"	1.25D + 1.5L	1.00	3335 lb	13815 lb	Passed - 24%
Live Load (LL) Pos. Defl.:	7'- 5 1/16"	L		0.271"	L/360	Passed - L/684
Total Load (TL) Pos. Defl.:	7'- 6 3/16"	D + L		0.469"	L/240	Passed - L/395
Permanent Deflection:	7'- 7 3/4"			-	L/360	Passed - L/966

SUPPORT AND REACTION INFORMATION

ID	Input Bearing Length	Controlling Load Combination	LDF	Factored Downward Reaction	Factored Uplift Reaction	Factored Resistance of Member	Factored Resistance of Support	Result
1	3-08	1.25D + 1.5L	1.00	3444 lb		12740 lb	7536 lb	Passed - 46%
2	5-08	1.25D + 1.5L	1.00	2372 lb		20020 lb	11843 lb	Passed - 20%

SPECIFIED LOADS

Type	Start Loc	End Loc	Source	Face	Dead (D)	Live (L)	Snow (S)	Wind (W)
Self Weight	0'	16'- 2 1/2"	Self Weight	Top	12 lb/ft	-	-	-
Uniform	0'	5'- 4 1/8"	FC2 Floor Decking (Plan View Fill)	Top	10 lb/ft	20 lb/ft	-	-
Uniform	5'- 4 1/8"	16'- 2 1/2"	FC2 Floor Decking (Plan View Fill)	Top	13 lb/ft	27 lb/ft	-	-
Uniform	9'- 10 1/2"	16'- 2 1/2"	User Load	Top	60 lb/ft	-	-	-
Point	5'- 5"	5'- 5"	B8(i949)	Front	1106 lb	1896 lb	-	-
Point	0'- 1 3/4"	0'- 1 3/4"	E31(i1000)	Top	29 lb	-	-	-

UNFACTORED REACTIONS

ID	Start Loc	End Loc	Source	Dead (D)	Live (L)	Snow (S)	Wind (W)
1	0'	0'- 3 1/2"	-	1026 lb	1455 lb	-	-
+++	0'- 3/4"	0'- 3/4"	E6(i88)	444 lb	629 lb	-	-
+++	0'- 1"	0'- 1"	E7(i86)	582 lb	826 lb	-	-
2	15'- 9"	16'- 2 1/2"	4(i97)	878 lb	835 lb	-	-

DESIGN NOTES

- The dead loads used in the design of this member were applied to the structure as sloped dead loads.
- Lateral stability factor (KL) was based on user preference to use the width of all plies. (Consult with manufacturer for guideline pertaining to this design option.)
- Analysis and Design has been performed using precision loading from actual modeled conditions. Some loads may have been modified to simplify reporting.
- Tributary Loads have been generated based on actual spacing between members in the model which may differ from the default system spacing. The actual loads applied to the member are shown in the Specified Loads table.
- Transfer reactions may differ from design results as allowed per building codes and standard load distribution practices.
- This report is based on modeled conditions input by the user. Source information for the loads and supports are provided for reference only. Verify that all loads and support conditions are correct.
- Review all loads and reactions to ensure that the member/bearing/connector/structure can resist adequately. Unless already specified on this report, anchorage for uplift reactions to be specified by others. Installation of member and accessories (if required) as per manufacturer's instruction.
- When the applied loads are coming from a member/post/wall above that does not sit directly on this beam, adequate load transfer elements, such as squash blocks, wall studs, or beveled plates are required to transfer the loads to this beam.

PLY TO PLY CONNECTION

- Member design assumed proper ply to ply connection by others. Fastener spacing along length of member must not exceed 4 times depth of member. Verify connection between plies according to code specification and follow the manufacturer's installation instruction. Loads assumed to be distributed equally to each ply.



STRUCTURAL COMPONENT ONLY
 DWG # TF22081021



BUILDER: **GREENPARK HOMES**
 SITE: **BARLASSINA CONTSTRUCTION**
 MODEL: **CHERRY 1**
 CITY: **COMBRIDGE**

Job Name: **CHERRY 1 EL 1**
 Level: **2ND FLR FRAMING**
 Label: **B7 - i912**
 Type: **Beam**

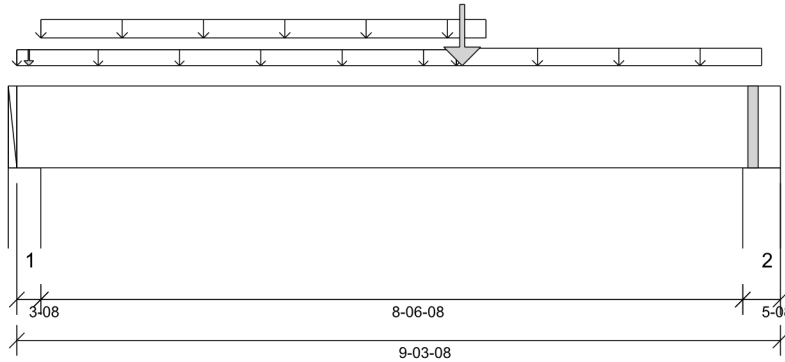
2 Ply Member
1 3/4" x 11 7/8" (2.0E 3100)
WestFraser LVL

Status:
Design Passed

Illustration Not to Scale. Pitch: 0/12

Designed by Single Member Design Engine in MiTek® Structure Version 8.5.3.233.Update5.15

Report Version: 2021.03.26 08/17/2022 07:34



DESIGN INFORMATION

Building Code: NBCC 2015, Part9, BCBC 2018, ABC 2019, OBC 2012 (2019 Amendment)
 Design Methodology: LSD
 Service Condition: Dry
 LL Deflection Limit: L/360,
 TL Deflection Limit: L/240,

Lateral Restraint Requirements:

Both ends of the member and the outer supports must be laterally restrained. Top and bottom edges of the member must be fully restrained or have the following maximum unbraced length:
 Top: 0' Bottom: 5'- 5/8"

Factored Resistance of Support Material:

- 615 psi Wall @ 0'- 2 1/2"
- 615 psi Wall @ 8'- 11"

PLY TO PLY CONNECTION:

4 ROWS OF 3.25" PNEUMATIC GUN NAILS (0.120"x3.25") @ 12" O/C

PLY TO PLY CONNECTION ASSUMES ANY SUPPORTED BEAM HANGERS ARE FASTENED TO THIS BEAM WITH MIN. 3.5" FASTENERS.



STRUCTURAL COMPONENT ONLY
 DWG # TF22081022

ANALYSIS RESULTS

Design Criteria	Location	Load Combination	LDF	Design	Limit	Result
Factored Pos. Moment:	5'- 5"	1.25D + 1.5L	0.95	5709 lb ft	33503 lb ft	Passed - 17%
Factored Shear:	7'- 10 1/8"	1.25D + 1.5L	0.95	1684 lb	13095 lb	Passed - 13%
Live Load (LL) Pos. Defl.:	4'- 9 3/4"	L		0.023"	L/360	Passed - L/999
Total Load (TL) Pos. Defl.:	4'- 9 1/16"	D + L		0.050"	L/240	Passed - L/999

SUPPORT AND REACTION INFORMATION

ID	Input Bearing Length	Controlling Load Combination	LDF	Factored Downward Reaction	Factored Uplift Reaction	Factored Resistance of Member	Factored Resistance of Support	Result
1	3-08	1.25D + 1.5L	0.95	1411 lb		12076 lb	7143 lb	Passed - 20%
2	5-08	1.25D + 1.5L	0.95	1779 lb		18977 lb	11225 lb	Passed - 16%

SPECIFIED LOADS

Type	Start Loc	End Loc	Source	Face	Dead (D)	Live (L)	Snow (S)	Wind (W)
Self Weight	0'	9'- 3 1/2"	Self Weight	Top	12 lb/ft	-	-	-
Uniform	0'	5'- 4 1/8"	FC2 Floor Decking (Plan View Fill)	Top	4 lb/ft	8 lb/ft	-	-
Uniform	0'- 3 1/2"	5'- 8 1/2"	User Load	Top	60 lb/ft	-	-	-
Uniform	5'- 4 1/8"	9'- 3/4"	FC2 Floor Decking (Plan View Fill)	Top	14 lb/ft	28 lb/ft	-	-
Point	5'- 5"	5'- 5"	B8(i949)	Back	775 lb	885 lb	-	-
Point	0'- 1 3/4"	0'- 1 3/4"	E18(i213)	Top	29 lb	-	-	-

UNFACTORED REACTIONS

ID	Start Loc	End Loc	Source	Dead (D)	Live (L)	Snow (S)	Wind (W)
1	0'	0'- 3 1/2"	E6(i88)	650 lb	415 lb	-	-
2	8'- 10"	9'- 3 1/2"	2(i96)	663 lb	618 lb	-	-

DESIGN NOTES

- The dead loads used in the design of this member were applied to the structure as sloped dead loads.
- Lateral stability factor (KL) was based on user preference to use the width of all plies. (Consult with manufacturer for guideline pertaining to this design option.)
- Analysis and Design has been performed using precision loading from actual modeled conditions. Some loads may have been modified to simplify reporting.
- Tributary Loads have been generated based on actual spacing between members in the model which may differ from the default system spacing. The actual loads applied to the member are shown in the Specified Loads table.
- Transfer reactions may differ from design results as allowed per building codes and standard load distribution practices.
- This report is based on modeled conditions input by the user. Source information for the loads and supports are provided for reference only. Verify that all loads and support conditions are correct.
- Review all loads and reactions to ensure that the member/bearing/connector/structure can resist adequately. Unless already specified on this report, anchorage for uplift reactions to be specified by others. Installation of member and accessories (if required) as per manufacturer's instruction.
- When the applied loads are coming from a member/post/wall above that does not sit directly on this beam, adequate load transfer elements, such as squash blocks, wall studs, or beveled plates are required to transfer the loads to this beam.

PLY TO PLY CONNECTION

- Member design assumed proper ply to ply connection by others. Fastener spacing along length of member must not exceed 4 times depth of member. Verify connection between plies according to code specification and follow the manufacturer's installation instruction. Loads assumed to be distributed equally to each ply.



BUILDER: **GREENPARK HOMES**
 SITE: **BARLASSINA CONSTRUCTION**
 MODEL: **CHERRY 1**
 CITY: **COMBRIDGE**

Job Name: **CHERRY 1 EL 1**
 Level: **2ND FLR FRAMING**
 Label: **B8 - i949**
 Type: **Beam**

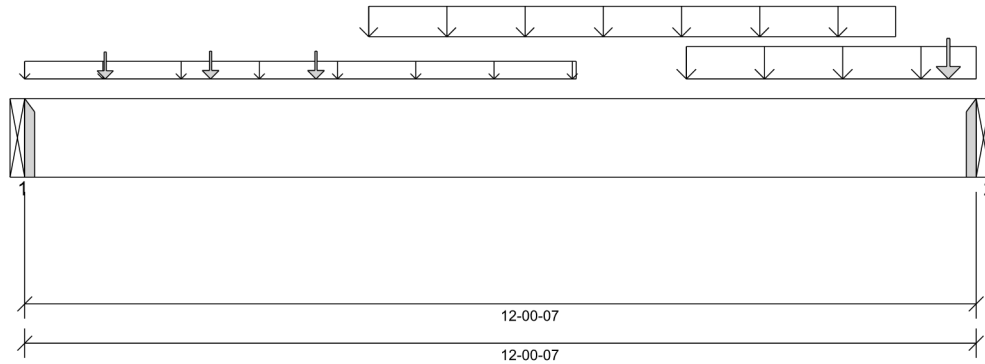
1 Ply Member
1 3/4" x 11 7/8" (2.0E 3100)
WestFraser LVL

Status:
Design Passed

Illustration Not to Scale. Pitch: 0/12

Designed by Single Member Design Engine in MiTek® Structure Version 8.5.3.233.Update5.15

Report Version: 2021.03.26 08/17/2022 07:34



DESIGN INFORMATION

Building Code: NBCC 2015, Part9, BCBC 2018, ABC 2019, OBC 2012 (2019 Amendment)
 Design Methodology: LSD
 Service Condition: Dry
 LL Deflection Limit: L/360,
 TL Deflection Limit: L/240,

Lateral Restraint Requirements:

Both ends of the member and the outer supports must be laterally restrained. Top and bottom edges of the member must be fully restrained or have the following maximum unbraced length:
 Top: 0' Bottom: 1'- 1 1/2"

Factored Resistance of Support Material:

- 615 psi Beam @ 0'
- 615 psi Beam @ 12'- 7/16"

ANALYSIS RESULTS

Design Criteria	Location	Load Combination	LDF	Design	Limit	Result
Factored Pos. Moment:	6'- 4 1/4"	1.25D + 1.5L	1.00	9669 lb ft	17672 lb ft	Passed - 55%
Factored Shear:	11'- 9/16"	1.25D + 1.5L	1.00	4071 lb	6908 lb	Passed - 59%
Live Load (LL) Pos. Defl.:	6'- 3 5/8"	L		0.222"	L/360	Passed - L/651
Total Load (TL) Pos. Defl.:	6'- 2 13/16"	D + L		0.376"	L/240	Passed - L/384
Permanent Deflection:	6'- 1 5/8"			-	L/360	Passed - L/966

SUPPORT AND REACTION INFORMATION

ID	Input Bearing Length	Controlling Load Combination	LDF	Factored Downward Reaction	Factored Uplift Reaction	Factored Resistance of Member	Factored Resistance of Support	Result
1	1-08	1.25D + 1.5L	1.00	2296 lb		2730 lb	-	Passed - 84%
2	2-05	1.25D + 1.5L	1.00	4227 lb		4227 lb	-	Passed - 100%

CONNECTOR INFORMATION

ID	Part No.	Manufacturer	Nailing Requirements			Other Information or Requirement for Reinforcement Accessories
			Top	Face	Member	
1	HUS1.81/10		-	-	-	Connector manually specified by the user.
2	HUS1.81/10		-	-	-	Connector manually specified by the user.

* Connectors: Refer to manufacturer's specifications, fasteners requirements and installation instruction. Where header fasteners are longer than the width of the supporting member, install backer block or clinch header nails.

SPECIFIED LOADS

Type	Start Loc	End Loc	Source	Face	Dead (D)	Live (L)	Snow (S)	Wind (W)
Self Weight	0'	12'- 7/16"	Self Weight	Top	6 lb/ft	-	-	-
Uniform	-0'	6'- 11 3/4"	User Load	Top	60 lb/ft	-	-	-
Uniform	4'- 4 1/4"	11'- 1/4"	Smoothed Load	Front	107 lb/ft	212 lb/ft	-	-
Uniform	8'- 4 7/16"	12'- 7/16"	User Load	Back	120 lb/ft	240 lb/ft	-	-
Point	1'- 1/4"	1'- 1/4"	J4(i966)	Front	46 lb	93 lb	-	-
Point	2'- 4 1/4"	2'- 4 1/4"	J4(i816)	Front	49 lb	99 lb	-	-
Point	3'- 8 1/4"	3'- 8 1/4"	J4(i816)	Front	49 lb	99 lb	-	-
Point	11'- 8 1/4"	11'- 8 1/4"	J2(i953)	Front	97 lb	195 lb	-	-

UNFACTORED REACTIONS

ID	Start Loc	End Loc	Source	Dead (D)	Live (L)	Snow (S)	Wind (W)
1	0'	0'	B7(i912)	775 lb	885 lb	-	-
2	12'- 7/16"	12'- 7/16"	B6(i867)	1106 lb	1896 lb	-	-

DESIGN NOTES

- The dead loads used in the design of this member were applied to the structure as sloped dead loads.
- Analysis and Design has been performed using precision loading from actual modeled conditions. Some loads may have been modified to simplify reporting.
- Tributary Loads have been generated based on actual spacing between members in the model which may differ from the default system spacing. The actual loads applied to the member are shown in the Specified Loads table.
- Transfer reactions may differ from design results as allowed per building codes and standard load distribution practices.
- This report is based on modeled conditions input by the user. Source information for the loads and supports are provided for reference only. Verify that all loads and support conditions are correct.
- Review all loads and reactions to ensure that the member/bearing/connector/structure can resist adequately. Unless already specified on this report, anchorage for uplift reactions to be specified by others. Installation of member and accessories (if required) as per manufacturer's instruction.
- When the applied loads are coming from a member/post/wall above that does not sit directly on this beam, adequate load transfer elements, such as squash blocks, wall studs, or beveled plates are required to transfer the loads to this beam.



STRUCTURAL COMPONENT ONLY
 DWG # TF22081023

Maximum Floor Spans – S2.1

Design Criteria

Spans:	Simple span
Loads:	Live load = 40 psf and dead load = 15 psf
Deflection limits:	L/480 under live load and L/240 under total load
Sheathing:	5/8 in. nailed-glued oriented strand board (OSB) sheathing

Maximum Floor Spans

Joist depth	Joist series	Bare On centre spacing				1/2 in. gypsum ceiling On centre spacing			
		12"	16"	19.2"	24"	12"	16"	19.2"	24"
9-1/2"	NI-20	15'-1"	14'-3"	13'-10"	-	15'-7"	14'-9"	14'-3"	-
	NI-40x	16'-2"	15'-3"	14'-8"	-	16'-7"	15'-8"	15'-1"	-
	NI-60	16'-4"	15'-4"	14'-10"	-	16'-9"	15'-9"	15'-3"	-
	NI-80	17'-3"	16'-3"	15'-8"	-	17'-8"	16'-7"	16'-0"	-
11-7/8"	NI-20	17'-0"	16'-0"	15'-6"	-	17'-6"	16'-7"	16'-0"	-
	NI-40x	18'-2"	17'-1"	16'-6"	-	18'-9"	17'-6"	16'-11"	-
	NI-60	18'-5"	17'-3"	16'-8"	-	19'-0"	17'-8"	17'-1"	-
	NI-80	19'-9"	18'-3"	17'-7"	-	20'-4"	18'-10"	18'-0"	-
14"	NI-90	20'-2"	18'-8"	17'-10"	-	20'-9"	19'-2"	18'-4"	-
	NI-40x	20'-1"	18'-8"	17'-10"	-	20'-10"	19'-4"	18'-6"	-
	NI-60	20'-6"	18'-11"	18'-2"	-	21'-2"	19'-8"	18'-9"	-
	NI-80	21'-11"	20'-3"	19'-4"	-	22'-7"	20'-11"	20'-0"	-
16"	NI-90	22'-5"	20'-8"	19'-9"	-	23'-0"	21'-4"	20'-4"	-
	NI-60	22'-4"	20'-8"	19'-9"	-	23'-1"	21'-5"	20'-6"	-
	NI-80	23'-11"	22'-1"	21'-1"	-	24'-8"	22'-10"	21'-9"	-
	NI-90	24'-5"	22'-6"	21'-6"	-	25'-1"	23'-2"	22'-2"	-

Joist depth	Joist series	Mid-span blocking with 1x4 inch strap On centre spacing				Mid-span blocking and 1/2 in. gypsum ceiling On centre spacing			
		12"	16"	19.2"	24"	12"	16"	19.2"	24"
9-1/2"	NI-20	16'-8"	15'-3"	14'-5"	-	16'-8"	15'-3"	14'-5"	-
	NI-40x	17'-11"	17'-0"	16'-1"	-	18'-5"	17'-1"	16'-1"	-
	NI-60	18'-2"	17'-1"	16'-4"	-	18'-8"	17'-4"	16'-4"	-
	NI-80	19'-5"	18'-0"	17'-5"	-	19'-10"	18'-5"	17'-8"	-
11-7/8"	NI-20	19'-7"	18'-2"	17'-3"	-	19'-11"	18'-3"	17'-3"	-
	NI-40x	21'-1"	19'-7"	18'-8"	-	21'-8"	20'-2"	19'-2"	-
	NI-60	21'-4"	19'-9"	18'-11"	-	21'-11"	20'-5"	19'-6"	-
	NI-80	22'-9"	21'-1"	20'-2"	-	23'-3"	21'-8"	20'-8"	-
14"	NI-90	23'-3"	21'-6"	20'-6"	-	23'-9"	22'-0"	21'-0"	-
	NI-40x	23'-8"	21'-11"	20'-11"	-	24'-4"	22'-8"	21'-8"	-
	NI-60	24'-0"	22'-3"	21'-3"	-	24'-8"	22'-11"	21'-11"	-
	NI-80	25'-7"	23'-9"	22'-7"	-	26'-2"	24'-4"	23'-3"	-
16"	NI-90	26'-1"	24'-2"	23'-0"	-	26'-8"	24'-9"	23'-7"	-
	NI-60	26'-5"	24'-6"	23'-5"	-	27'-2"	25'-3"	24'-2"	-
	NI-80	28'-2"	26'-1"	24'-10"	-	28'-10"	26'-9"	25'-6"	-
	NI-90	28'-8"	26'-6"	25'-3"	-	29'-3"	27'-2"	25'-11"	-

Notes:

- The tabulated clear spans are based on CSA O86-14 and NBC 2015, and are applicable to residential floor construction meeting the above design criteria.
- For multiple-span applications, the end spans shall be 40% or more of the adjacent span.
- Minimum bearing length shall be 1-3/4 inch for end bearings, and 3-1/2 inches for intermediate bearings.
- Bearing stiffeners are not required when I-joists are used in accordance with this table, except as required for hangers.
- Nordic I-joists are listed in CCMC Evaluation Report 13032-R and APA Product Report PR-L274C.

Maximum Floor Spans – S4.1

Design Criteria

Spans:	Simple span
Loads:	Live load = 40 psf and dead load = 15 psf
Deflection limits:	L/480 under live load and L/240 under total load
Sheathing:	3/4 in. nailed-glued oriented strand board (OSB) sheathing

Maximum Floor Spans

Joist depth	Joist series	Bare				1/2 in. gypsum ceiling			
		On centre spacing				On centre spacing			
		12"	16"	19.2"	24"	12"	16"	19.2"	24"
9-1/2"	NI-20	15'-11"	15'-0"	14'-6"	13'-5"	16'-5"	15'-5"	14'-6"	13'-5"
	NI-40x	17'-0"	16'-0"	15'-5"	14'-10"	17'-5"	16'-5"	15'-10"	15'-2"
	NI-60	17'-2"	16'-2"	15'-7"	14'-11"	17'-7"	16'-7"	16'-0"	15'-4"
	NI-80	18'-3"	17'-1"	16'-5"	15'-9"	18'-8"	17'-5"	16'-9"	16'-1"
11-7/8"	NI-20	17'-11"	16'-11"	16'-3"	15'-8"	18'-7"	17'-5"	16'-10"	16'-2"
	NI-40x	19'-4"	17'-11"	17'-3"	16'-7"	19'-11"	18'-6"	17'-9"	17'-0"
	NI-60	19'-7"	18'-2"	17'-6"	16'-9"	20'-2"	18'-9"	17'-11"	17'-2"
	NI-80	21'-1"	19'-6"	18'-6"	17'-7"	21'-7"	20'-0"	19'-0"	18'-0"
	NI-90	21'-6"	19'-10"	18'-11"	17'-11"	22'-0"	20'-4"	19'-5"	18'-4"
14"	NI-40x	21'-5"	19'-11"	18'-11"	18'-0"	22'-1"	20'-7"	19'-7"	18'-7"
	NI-60	21'-10"	20'-2"	19'-3"	18'-3"	22'-6"	20'-10"	19'-11"	18'-10"
	NI-80	23'-5"	21'-7"	20'-7"	19'-5"	24'-0"	22'-3"	21'-2"	20'-0"
	NI-90	23'-10"	22'-1"	21'-0"	19'-10"	24'-5"	22'-7"	21'-6"	20'-4"
16"	NI-60	23'-9"	22'-0"	21'-0"	19'-10"	24'-6"	22'-9"	21'-8"	20'-7"
	NI-80	25'-6"	23'-7"	22'-5"	21'-2"	26'-2"	24'-3"	23'-1"	21'-10"
	NI-90	26'-0"	24'-0"	22'-10"	21'-6"	26'-7"	24'-8"	23'-5"	22'-2"

Joist depth	Joist series	Mid-span blocking with 1x4 inch strap				Mid-span blocking and 1/2 in. gypsum ceiling			
		On centre spacing				On centre spacing			
		12"	16"	19.2"	24"	12"	16"	19.2"	24"
9-1/2"	NI-20	16'-10"	15'-5"	14'-6"	13'-5"	16'-10"	15'-5"	14'-6"	13'-5"
	NI-40x	18'-8"	17'-2"	16'-3"	15'-2"	18'-10"	17'-2"	16'-3"	15'-2"
	NI-60	18'-11"	17'-6"	16'-6"	15'-5"	19'-2"	17'-6"	16'-6"	15'-5"
	NI-80	20'-3"	18'-10"	17'-11"	16'-10"	20'-8"	19'-3"	18'-2"	16'-10"
11-7/8"	NI-20	20'-1"	18'-5"	17'-5"	16'-2"	20'-1"	18'-5"	17'-5"	16'-2"
	NI-40x	21'-10"	20'-4"	19'-4"	17'-8"	22'-5"	20'-6"	19'-4"	17'-8"
	NI-60	22'-1"	20'-7"	19'-8"	18'-4"	22'-8"	20'-10"	19'-8"	18'-4"
	NI-80	23'-8"	22'-0"	20'-11"	19'-10"	24'-1"	22'-6"	21'-6"	20'-0"
	NI-90	24'-1"	22'-5"	21'-4"	20'-2"	24'-7"	22'-11"	21'-10"	20'-7"
14"	NI-40x	24'-5"	22'-9"	21'-9"	19'-5"	25'-1"	23'-2"	21'-9"	19'-5"
	NI-60	24'-10"	23'-2"	22'-1"	20'-10"	25'-6"	23'-8"	22'-4"	20'-10"
	NI-80	26'-6"	24'-8"	23'-6"	22'-2"	27'-1"	25'-3"	24'-1"	22'-9"
	NI-90	27'-0"	25'-1"	23'-11"	22'-7"	27'-6"	25'-8"	24'-6"	23'-2"
16"	NI-60	27'-3"	25'-5"	24'-3"	22'-11"	28'-0"	26'-2"	24'-9"	23'-1"
	NI-80	29'-1"	27'-1"	25'-9"	24'-4"	29'-8"	27'-9"	26'-5"	25'-0"
	NI-90	29'-7"	27'-6"	26'-2"	24'-9"	30'-2"	28'-2"	26'-10"	25'-5"

Notes:

1. The tabulated clear spans are based on CSA O86-14 and NBC 2015, and are applicable to residential floor construction meeting the above design criteria.
2. For multiple-span applications, the end spans shall be 40% or more of the adjacent span.
3. Minimum bearing length shall be 1-3/4 inch for end bearings, and 3-1/2 inches for intermediate bearings.
4. Bearing stiffeners are not required when I-joists are used in accordance with this table, except as required for hangers.
5. Nordic I-joists are listed in CCMC Evaluation Report 13032-R and APA Product Report PR-L274C.

Maximum Floor Spans – S6.1

Design Criteria

Spans:	Simple span
Loads:	Live load = 40 psf and dead load = 15 psf
Deflection limits:	L/480 under live load and L/240 under total load
Sheathing:	5/8 in. nailed-glued Canadian softwood plywood

Maximum Floor Spans

Joist depth	Joist series	Bare On centre spacing				1/2 in. gypsum ceiling On centre spacing			
		12"	16"	19.2"	24"	12"	16"	19.2"	24"
9-1/2"	NI-20	14'-11"	14'-1"	13'-7"	-	15'-4"	14'-6"	14'-1"	-
	NI-40x	15'-11"	15'-0"	14'-6"	-	16'-4"	15'-5"	14'-11"	-
	NI-60	16'-1"	15'-2"	14'-8"	-	16'-6"	15'-7"	15'-1"	-
	NI-80	17'-1"	16'-1"	15'-6"	-	17'-5"	16'-5"	15'-10"	-
11-7/8"	NI-20	16'-9"	15'-10"	15'-4"	-	17'-4"	16'-4"	15'-10"	-
	NI-40x	17'-10"	16'-10"	16'-3"	-	18'-6"	17'-4"	16'-9"	-
	NI-60	18'-1"	17'-0"	16'-5"	-	18'-9"	17'-6"	16'-11"	-
	NI-80	19'-6"	18'-0"	17'-4"	-	20'-1"	18'-7"	17'-9"	-
	NI-90	19'-11"	18'-4"	17'-8"	-	20'-5"	18'-11"	18'-1"	-
14"	NI-40x	19'-10"	18'-4"	17'-8"	-	20'-6"	19'-1"	18'-3"	-
	NI-60	20'-2"	18'-8"	17'-11"	-	20'-10"	19'-4"	18'-6"	-
	NI-80	21'-8"	20'-0"	19'-1"	-	22'-4"	20'-8"	19'-9"	-
	NI-90	22'-1"	20'-5"	19'-6"	-	22'-9"	21'-0"	20'-1"	-
16"	NI-60	22'-0"	20'-4"	19'-6"	-	22'-9"	21'-1"	20'-2"	-
	NI-80	23'-7"	21'-10"	20'-10"	-	24'-4"	22'-6"	21'-6"	-
	NI-90	24'-1"	22'-2"	21'-2"	-	24'-9"	22'-11"	21'-10"	-

Joist depth	Joist series	Mid-span blocking with 1x4 inch strap On centre spacing				Mid-span blocking and 1/2 in. gypsum ceiling On centre spacing			
		12"	16"	19.2"	24"	12"	16"	19.2"	24"
9-1/2"	NI-20	16'-6"	15'-1"	14'-3"	-	16'-6"	15'-1"	14'-3"	-
	NI-40x	17'-9"	16'-10"	15'-11"	-	18'-2"	16'-11"	15'-11"	-
	NI-60	17'-11"	16'-11"	16'-2"	-	18'-5"	17'-2"	16'-2"	-
	NI-80	19'-3"	17'-10"	17'-3"	-	19'-8"	18'-3"	17'-7"	-
11-7/8"	NI-20	19'-4"	18'-0"	17'-1"	-	19'-9"	18'-1"	17'-1"	-
	NI-40x	20'-10"	19'-4"	18'-6"	-	21'-5"	19'-11"	19'-0"	-
	NI-60	21'-1"	19'-7"	18'-8"	-	21'-8"	20'-2"	19'-3"	-
	NI-80	22'-6"	20'-10"	19'-11"	-	23'-1"	21'-5"	20'-5"	-
14"	NI-90	23'-0"	21'-3"	20'-4"	-	23'-6"	21'-10"	20'-10"	-
	NI-40x	23'-5"	21'-8"	20'-9"	-	24'-0"	22'-5"	21'-5"	-
	NI-60	23'-9"	22'-0"	21'-0"	-	24'-5"	22'-8"	21'-8"	-
	NI-80	25'-4"	23'-6"	22'-5"	-	25'-11"	24'-1"	23'-0"	-
	NI-90	25'-10"	23'-11"	22'-9"	-	26'-5"	24'-6"	23'-4"	-
16"	NI-60	26'-2"	24'-3"	23'-2"	-	26'-11"	25'-0"	23'-11"	-
	NI-80	27'-11"	25'-10"	24'-7"	-	28'-7"	26'-6"	25'-3"	-
	NI-90	28'-5"	26'-3"	25'-0"	-	29'-0"	26'-11"	25'-8"	-

Notes:

- The tabulated clear spans are based on CSA O86-14 and NBC 2015, and are applicable to residential floor construction meeting the above design criteria.
- For multiple-span applications, the end spans shall be 40% or more of the adjacent span.
- Minimum bearing length shall be 1-3/4 inch for end bearings, and 3-1/2 inches for intermediate bearings.
- Bearing stiffeners are not required when I-joists are used in accordance with this table, except as required for hangers.
- Nordic I-joists are listed in CCMC Evaluation Report 13032-R and APA Product Report PR-L274C.

Maximum Floor Spans – S7.1

Design Criteria

Spans:	Simple span
Loads:	Live load = 40 psf and dead load = 15 psf
Deflection limits:	L/480 under live load and L/240 under total load
Sheathing:	3/4 in. nailed-glued Canadian softwood plywood

Maximum Floor Spans

Joist depth	Joist series	Bare				1/2 in. gypsum ceiling			
		On centre spacing				On centre spacing			
		12"	16"	19.2"	24"	12"	16"	19.2"	24"
9-1/2"	NI-20	15'-10"	15'-0"	14'-5"	13'-5"	16'-4"	15'-5"	14'-6"	13'-5"
	NI-40x	16'-11"	15'-11"	15'-4"	14'-9"	17'-4"	16'-4"	15'-9"	15'-1"
	NI-60	17'-1"	16'-1"	15'-6"	14'-10"	17'-6"	16'-6"	15'-11"	15'-3"
	NI-80	18'-1"	17'-0"	16'-4"	15'-8"	18'-7"	17'-4"	16'-8"	16'-0"
11-7/8"	NI-20	17'-10"	16'-10"	16'-2"	15'-7"	18'-5"	17'-4"	16'-9"	16'-1"
	NI-40x	19'-3"	17'-10"	17'-2"	16'-6"	19'-10"	18'-5"	17'-8"	16'-11"
	NI-60	19'-6"	18'-1"	17'-4"	16'-8"	20'-1"	18'-8"	17'-10"	17'-1"
	NI-80	20'-11"	19'-4"	18'-5"	17'-7"	21'-5"	19'-10"	18'-11"	17'-11"
	NI-90	21'-4"	19'-9"	18'-9"	17'-10"	21'-10"	20'-3"	19'-3"	18'-3"
14"	NI-40x	21'-4"	19'-9"	18'-10"	17'-11"	22'-0"	20'-5"	19'-6"	18'-6"
	NI-60	21'-8"	20'-1"	19'-2"	18'-2"	22'-4"	20'-9"	19'-9"	18'-9"
	NI-80	23'-3"	21'-6"	20'-5"	19'-4"	23'-10"	22'-1"	21'-0"	19'-11"
	NI-90	23'-9"	21'-11"	20'-10"	19'-8"	24'-3"	22'-6"	21'-5"	20'-3"
16"	NI-60	23'-7"	21'-10"	20'-10"	19'-9"	24'-4"	22'-7"	21'-7"	20'-5"
	NI-80	25'-4"	23'-5"	22'-3"	21'-1"	26'-0"	24'-1"	22'-11"	21'-8"
	NI-90	25'-10"	23'-10"	22'-8"	21'-5"	26'-5"	24'-6"	23'-4"	22'-0"

Joist depth	Joist series	Mid-span blocking with 1x4 inch strap				Mid-span blocking and 1/2 in. gypsum ceiling			
		On centre spacing				On centre spacing			
		12"	16"	19.2"	24"	12"	16"	19.2"	24"
9-1/2"	NI-20	16'-10"	15'-5"	14'-6"	13'-5"	16'-10"	15'-5"	14'-6"	13'-5"
	NI-40x	18'-7"	17'-2"	16'-3"	15'-2"	18'-10"	17'-2"	16'-3"	15'-2"
	NI-60	18'-10"	17'-6"	16'-6"	15'-5"	19'-1"	17'-6"	16'-6"	15'-5"
	NI-80	20'-2"	18'-9"	17'-11"	16'-10"	20'-7"	19'-2"	18'-2"	16'-10"
11-7/8"	NI-20	20'-1"	18'-5"	17'-5"	16'-2"	20'-1"	18'-5"	17'-5"	16'-2"
	NI-40x	21'-9"	20'-3"	19'-4"	17'-8"	22'-4"	20'-5"	19'-4"	17'-8"
	NI-60	22'-0"	20'-6"	19'-7"	18'-4"	22'-7"	20'-10"	19'-8"	18'-4"
	NI-80	23'-6"	21'-10"	20'-10"	19'-9"	24'-0"	22'-5"	21'-4"	20'-0"
	NI-90	24'-0"	22'-4"	21'-3"	20'-1"	24'-6"	22'-10"	21'-9"	20'-7"
14"	NI-40x	24'-4"	22'-8"	21'-8"	19'-5"	25'-0"	23'-2"	21'-9"	19'-5"
	NI-60	24'-9"	23'-0"	22'-0"	20'-9"	25'-5"	23'-8"	22'-4"	20'-10"
	NI-80	26'-5"	24'-6"	23'-4"	22'-1"	27'-0"	25'-2"	24'-0"	22'-8"
	NI-90	26'-11"	25'-0"	23'-10"	22'-6"	27'-5"	25'-7"	24'-5"	23'-1"
16"	NI-60	27'-2"	25'-4"	24'-2"	22'-10"	27'-11"	26'-1"	24'-9"	23'-1"
	NI-80	29'-0"	26'-11"	25'-8"	24'-3"	29'-7"	27'-7"	26'-4"	24'-11"
	NI-90	29'-6"	27'-5"	26'-1"	24'-8"	30'-1"	28'-1"	26'-9"	25'-4"

Notes:

1. The tabulated clear spans are based on CSA O86-14 and NBC 2015, and are applicable to residential floor construction meeting the above design criteria.
2. For multiple-span applications, the end spans shall be 40% or more of the adjacent span.
3. Minimum bearing length shall be 1-3/4 inch for end bearings, and 3-1/2 inches for intermediate bearings.
4. Bearing stiffeners are not required when I-joists are used in accordance with this table, except as required for hangers.
5. Nordic I-joists are listed in CCMC Evaluation Report 13032-R and APA Product Report PR-L274C.

Maximum Floor Spans – M2.1

Design Criteria

Spans:	Simple span
Loads:	Live load = 40 psf and dead load = 20 psf
Deflection limits:	L/480 under live load and L/240 under total load
Sheathing:	5/8 in. nailed-glued oriented strand board (OSB) sheathing

Maximum Floor Spans

Joist depth	Joist series	Bare On centre spacing				1/2 in. gypsum ceiling On centre spacing			
		12"	16"	19.2"	24"	12"	16"	19.2"	24"
9-1/2"	NI-20	15'-1"	14'-3"	13'-10"	-	15'-7"	14'-9"	14'-3"	-
	NI-40x	16'-2"	15'-3"	14'-8"	-	16'-7"	15'-8"	15'-1"	-
	NI-60	16'-4"	15'-4"	14'-10"	-	16'-9"	15'-9"	15'-3"	-
	NI-80	17'-3"	16'-3"	15'-8"	-	17'-8"	16'-7"	16'-0"	-
11-7/8"	NI-20	17'-0"	16'-0"	15'-6"	-	17'-6"	16'-7"	16'-0"	-
	NI-40x	18'-2"	17'-1"	16'-6"	-	18'-9"	17'-6"	16'-11"	-
	NI-60	18'-5"	17'-3"	16'-8"	-	19'-0"	17'-8"	17'-1"	-
	NI-80	19'-9"	18'-3"	17'-7"	-	20'-4"	18'-10"	18'-0"	-
14"	NI-90	20'-2"	18'-8"	17'-10"	-	20'-9"	19'-2"	18'-4"	-
	NI-40x	20'-1"	18'-8"	17'-10"	-	20'-10"	19'-4"	18'-6"	-
	NI-60	20'-6"	18'-11"	18'-2"	-	21'-2"	19'-8"	18'-9"	-
	NI-80	21'-11"	20'-3"	19'-4"	-	22'-7"	20'-11"	20'-0"	-
16"	NI-90	22'-5"	20'-8"	19'-9"	-	23'-0"	21'-4"	20'-4"	-
	NI-60	22'-4"	20'-8"	19'-9"	-	23'-1"	21'-5"	20'-6"	-
	NI-80	23'-11"	22'-1"	21'-1"	-	24'-8"	22'-10"	21'-9"	-
	NI-90	24'-5"	22'-6"	21'-6"	-	25'-1"	23'-2"	22'-2"	-

Joist depth	Joist series	Mid-span blocking with 1x4 inch strap On centre spacing				Mid-span blocking and 1/2 in. gypsum ceiling On centre spacing			
		12"	16"	19.2"	24"	12"	16"	19.2"	24"
9-1/2"	NI-20	16'-8"	15'-3"	14'-5"	-	16'-8"	15'-3"	14'-5"	-
	NI-40x	17'-11"	17'-0"	16'-1"	-	18'-5"	17'-1"	16'-1"	-
	NI-60	18'-2"	17'-1"	16'-4"	-	18'-8"	17'-4"	16'-4"	-
	NI-80	19'-5"	18'-0"	17'-5"	-	19'-10"	18'-5"	17'-8"	-
11-7/8"	NI-20	19'-7"	18'-2"	17'-3"	-	19'-11"	18'-3"	17'-3"	-
	NI-40x	21'-1"	19'-7"	18'-8"	-	21'-8"	20'-2"	19'-0"	-
	NI-60	21'-4"	19'-9"	18'-11"	-	21'-11"	20'-5"	19'-6"	-
	NI-80	22'-9"	21'-1"	20'-2"	-	23'-3"	21'-8"	20'-8"	-
14"	NI-90	23'-3"	21'-6"	20'-6"	-	23'-9"	22'-0"	21'-0"	-
	NI-40x	23'-8"	21'-11"	20'-11"	-	24'-4"	22'-8"	20'-11"	-
	NI-60	24'-0"	22'-3"	21'-3"	-	24'-8"	22'-11"	21'-11"	-
	NI-80	25'-7"	23'-9"	22'-7"	-	26'-2"	24'-4"	23'-3"	-
16"	NI-90	26'-1"	24'-2"	23'-0"	-	26'-8"	24'-9"	23'-7"	-
	NI-60	26'-5"	24'-6"	23'-5"	-	27'-2"	25'-3"	24'-2"	-
	NI-80	28'-2"	26'-1"	24'-10"	-	28'-10"	26'-9"	25'-6"	-
	NI-90	28'-8"	26'-6"	25'-3"	-	29'-3"	27'-2"	25'-11"	-

Notes:

- The tabulated clear spans are based on CSA O86-14 and NBC 2015, and are applicable to residential floor construction meeting the above design criteria.
- For multiple-span applications, the end spans shall be 40% or more of the adjacent span.
- Minimum bearing length shall be 1-3/4 inch for end bearings, and 3-1/2 inches for intermediate bearings.
- Bearing stiffeners are not required when I-joists are used in accordance with this table, except as required for hangers.
- Nordic I-joists are listed in CCMC Evaluation Report 13032-R and APA Product Report PR-L274C.

Maximum Floor Spans – M4.1

Design Criteria

Spans:	Simple span
Loads:	Live load = 40 psf and dead load = 20 psf
Deflection limits:	L/480 under live load and L/240 under total load
Sheathing:	3/4 in. nailed-glued oriented strand board (OSB) sheathing

Maximum Floor Spans

Joist depth	Joist series	Bare				1/2 in. gypsum ceiling			
		On centre spacing				On centre spacing			
		12"	16"	19.2"	24"	12"	16"	19.2"	24"
9-1/2"	NI-20	15'-11"	15'-0"	14'-6"	13'-5"	16'-5"	15'-5"	14'-6"	13'-5"
	NI-40x	17'-0"	16'-0"	15'-5"	14'-10"	17'-5"	16'-5"	15'-10"	14'-11"
	NI-60	17'-2"	16'-2"	15'-7"	14'-11"	17'-7"	16'-7"	16'-0"	15'-4"
	NI-80	18'-3"	17'-1"	16'-5"	15'-9"	18'-8"	17'-5"	16'-9"	16'-1"
11-7/8"	NI-20	17'-11"	16'-11"	16'-3"	15'-8"	18'-7"	17'-5"	16'-10"	16'-1"
	NI-40x	19'-4"	17'-11"	17'-3"	16'-7"	19'-11"	18'-6"	17'-9"	17'-0"
	NI-60	19'-7"	18'-2"	17'-6"	16'-9"	20'-2"	18'-9"	17'-11"	17'-2"
	NI-80	21'-1"	19'-6"	18'-6"	17'-7"	21'-7"	20'-0"	19'-0"	18'-0"
	NI-90	21'-6"	19'-10"	18'-11"	17'-11"	22'-0"	20'-4"	19'-5"	18'-4"
14"	NI-40x	21'-5"	19'-11"	18'-11"	18'-0"	22'-1"	20'-7"	19'-7"	18'-7"
	NI-60	21'-10"	20'-2"	19'-3"	18'-3"	22'-6"	20'-10"	19'-11"	18'-10"
	NI-80	23'-5"	21'-7"	20'-7"	19'-5"	24'-0"	22'-3"	21'-2"	20'-0"
	NI-90	23'-10"	22'-1"	21'-0"	19'-10"	24'-5"	22'-7"	21'-6"	20'-4"
16"	NI-60	23'-9"	22'-0"	21'-0"	19'-10"	24'-6"	22'-9"	21'-8"	20'-7"
	NI-80	25'-6"	23'-7"	22'-5"	21'-2"	26'-2"	24'-3"	23'-1"	21'-10"
	NI-90	26'-0"	24'-0"	22'-10"	21'-6"	26'-7"	24'-8"	23'-5"	22'-2"

Joist depth	Joist series	Mid-span blocking with 1x4 inch strap				Mid-span blocking and 1/2 in. gypsum ceiling			
		On centre spacing				On centre spacing			
		12"	16"	19.2"	24"	12"	16"	19.2"	24"
9-1/2"	NI-20	16'-10"	15'-5"	14'-6"	13'-5"	16'-10"	15'-5"	14'-6"	13'-5"
	NI-40x	18'-8"	17'-2"	16'-3"	14'-11"	18'-10"	17'-2"	16'-3"	14'-11"
	NI-60	18'-11"	17'-6"	16'-6"	15'-5"	19'-2"	17'-6"	16'-6"	15'-5"
	NI-80	20'-3"	18'-10"	17'-11"	16'-10"	20'-8"	19'-3"	18'-2"	16'-10"
11-7/8"	NI-20	20'-1"	18'-5"	17'-5"	16'-1"	20'-1"	18'-5"	17'-5"	16'-1"
	NI-40x	21'-10"	20'-4"	19'-0"	17'-0"	22'-5"	20'-6"	19'-0"	17'-0"
	NI-60	22'-1"	20'-7"	19'-8"	18'-4"	22'-8"	20'-10"	19'-8"	18'-4"
	NI-80	23'-8"	22'-0"	20'-11"	19'-10"	24'-1"	22'-6"	21'-6"	20'-0"
	NI-90	24'-1"	22'-5"	21'-4"	20'-2"	24'-7"	22'-11"	21'-10"	20'-7"
14"	NI-40x	24'-5"	22'-9"	20'-11"	18'-8"	25'-1"	22'-11"	20'-11"	18'-8"
	NI-60	24'-10"	23'-2"	22'-1"	20'-10"	25'-6"	23'-8"	22'-4"	20'-10"
	NI-80	26'-6"	24'-8"	23'-6"	22'-2"	27'-1"	25'-3"	24'-1"	22'-9"
	NI-90	27'-0"	25'-1"	23'-11"	22'-7"	27'-6"	25'-8"	24'-6"	23'-2"
16"	NI-60	27'-3"	25'-5"	24'-3"	22'-11"	28'-0"	26'-2"	24'-9"	23'-1"
	NI-80	29'-1"	27'-1"	25'-9"	24'-4"	29'-8"	27'-9"	26'-5"	25'-0"
	NI-90	29'-7"	27'-6"	26'-2"	24'-9"	30'-2"	28'-2"	26'-10"	25'-5"

Notes:

1. The tabulated clear spans are based on CSA O86-14 and NBC 2015, and are applicable to residential floor construction meeting the above design criteria.
2. For multiple-span applications, the end spans shall be 40% or more of the adjacent span.
3. Minimum bearing length shall be 1-3/4 inch for end bearings, and 3-1/2 inches for intermediate bearings.
4. Bearing stiffeners are not required when I-joists are used in accordance with this table, except as required for hangers.
5. Nordic I-joists are listed in CCMC Evaluation Report 13032-R and APA Product Report PR-L274C.

Maximum Floor Spans – M6.1

Design Criteria

Spans:	Simple span
Loads:	Live load = 40 psf and dead load = 20 psf
Deflection limits:	L/480 under live load and L/240 under total load
Sheathing:	5/8 in. nailed-glued Canadian softwood plywood

Maximum Floor Spans

Joist depth	Joist series	Bare				1/2 in. gypsum ceiling			
		On centre spacing				On centre spacing			
		12"	16"	19.2"	24"	12"	16"	19.2"	24"
9-1/2"	NI-20	14'-11"	14'-1"	13'-7"	-	15'-4"	14'-6"	14'-1"	-
	NI-40x	15'-11"	15'-0"	14'-6"	-	16'-4"	15'-5"	14'-11"	-
	NI-60	16'-1"	15'-2"	14'-8"	-	16'-6"	15'-7"	15'-1"	-
	NI-80	17'-1"	16'-1"	15'-6"	-	17'-5"	16'-5"	15'-10"	-
11-7/8"	NI-20	16'-9"	15'-10"	15'-4"	-	17'-4"	16'-4"	15'-10"	-
	NI-40x	17'-10"	16'-10"	16'-3"	-	18'-6"	17'-4"	16'-9"	-
	NI-60	18'-1"	17'-0"	16'-5"	-	18'-9"	17'-6"	16'-11"	-
	NI-80	19'-6"	18'-0"	17'-4"	-	20'-1"	18'-7"	17'-9"	-
	NI-90	19'-11"	18'-4"	17'-8"	-	20'-5"	18'-11"	18'-1"	-
14"	NI-40x	19'-10"	18'-4"	17'-8"	-	20'-6"	19'-1"	18'-3"	-
	NI-60	20'-2"	18'-8"	17'-11"	-	20'-10"	19'-4"	18'-6"	-
	NI-80	21'-8"	20'-0"	19'-1"	-	22'-4"	20'-8"	19'-9"	-
	NI-90	22'-1"	20'-5"	19'-6"	-	22'-9"	21'-0"	20'-1"	-
16"	NI-60	22'-0"	20'-4"	19'-6"	-	22'-9"	21'-1"	20'-2"	-
	NI-80	23'-7"	21'-10"	20'-10"	-	24'-4"	22'-6"	21'-6"	-
	NI-90	24'-1"	22'-2"	21'-2"	-	24'-9"	22'-11"	21'-10"	-

Joist depth	Joist series	Mid-span blocking with 1x4 inch strap				Mid-span blocking and 1/2 in. gypsum ceiling			
		On centre spacing				On centre spacing			
		12"	16"	19.2"	24"	12"	16"	19.2"	24"
9-1/2"	NI-20	16'-6"	15'-1"	14'-3"	-	16'-6"	15'-1"	14'-3"	-
	NI-40x	17'-9"	16'-10"	15'-11"	-	18'-2"	16'-11"	15'-11"	-
	NI-60	17'-11"	16'-11"	16'-2"	-	18'-5"	17'-2"	16'-2"	-
	NI-80	19'-3"	17'-10"	17'-3"	-	19'-8"	18'-3"	17'-7"	-
11-7/8"	NI-20	19'-4"	18'-0"	17'-1"	-	19'-9"	18'-1"	17'-1"	-
	NI-40x	20'-10"	19'-4"	18'-6"	-	21'-5"	19'-11"	19'-0"	-
	NI-60	21'-1"	19'-7"	18'-8"	-	21'-8"	20'-2"	19'-3"	-
	NI-80	22'-6"	20'-10"	19'-11"	-	23'-1"	21'-5"	20'-5"	-
14"	NI-90	23'-0"	21'-3"	20'-4"	-	23'-6"	21'-10"	20'-10"	-
	NI-40x	23'-5"	21'-8"	20'-9"	-	24'-0"	22'-5"	20'-11"	-
	NI-60	23'-9"	22'-0"	21'-0"	-	24'-5"	22'-8"	21'-8"	-
	NI-80	25'-4"	23'-6"	22'-5"	-	25'-11"	24'-1"	23'-0"	-
16"	NI-90	25'-10"	23'-11"	22'-9"	-	26'-5"	24'-6"	23'-4"	-
	NI-60	26'-2"	24'-3"	23'-2"	-	26'-11"	25'-0"	23'-11"	-
	NI-80	27'-11"	25'-10"	24'-7"	-	28'-7"	26'-6"	25'-3"	-
	NI-90	28'-5"	26'-3"	25'-0"	-	29'-0"	26'-11"	25'-8"	-

Notes:

- The tabulated clear spans are based on CSA O86-14 and NBC 2015, and are applicable to residential floor construction meeting the above design criteria.
- For multiple-span applications, the end spans shall be 40% or more of the adjacent span.
- Minimum bearing length shall be 1-3/4 inch for end bearings, and 3-1/2 inches for intermediate bearings.
- Bearing stiffeners are not required when I-joists are used in accordance with this table, except as required for hangers.
- Nordic I-joists are listed in CCMC Evaluation Report 13032-R and APA Product Report PR-L274C.

Maximum Floor Spans – M7.1

Design Criteria

Spans:	Simple span
Loads:	Live load = 40 psf and dead load = 20 psf
Deflection limits:	L/480 under live load and L/240 under total load
Sheathing:	3/4 in. nailed-glued Canadian softwood plywood

Maximum Floor Spans

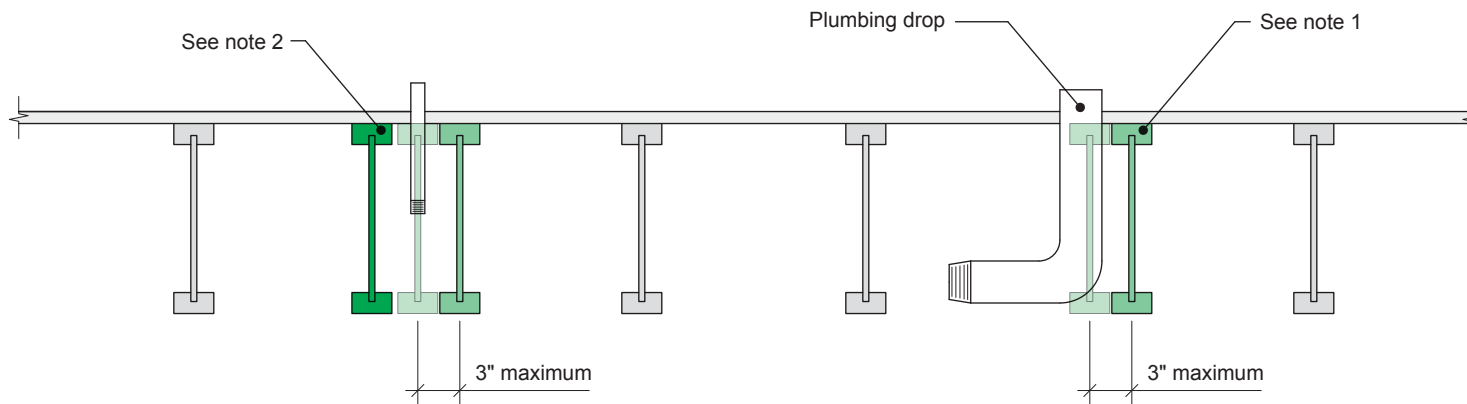
Joist depth	Joist series	Bare				1/2 in. gypsum ceiling			
		On centre spacing				On centre spacing			
		12"	16"	19.2"	24"	12"	16"	19.2"	24"
9-1/2"	NI-20	15'-10"	15'-0"	14'-5"	13'-5"	16'-4"	15'-5"	14'-6"	13'-5"
	NI-40x	16'-11"	15'-11"	15'-4"	14'-9"	17'-4"	16'-4"	15'-9"	14'-11"
	NI-60	17'-1"	16'-1"	15'-6"	14'-10"	17'-6"	16'-6"	15'-11"	15'-3"
	NI-80	18'-1"	17'-0"	16'-4"	15'-8"	18'-7"	17'-4"	16'-8"	16'-0"
11-7/8"	NI-20	17'-10"	16'-10"	16'-2"	15'-7"	18'-5"	17'-4"	16'-9"	16'-1"
	NI-40x	19'-3"	17'-10"	17'-2"	16'-6"	19'-10"	18'-5"	17'-8"	16'-11"
	NI-60	19'-6"	18'-1"	17'-4"	16'-8"	20'-1"	18'-8"	17'-10"	17'-1"
	NI-80	20'-11"	19'-4"	18'-5"	17'-7"	21'-5"	19'-10"	18'-11"	17'-11"
	NI-90	21'-4"	19'-9"	18'-9"	17'-10"	21'-10"	20'-3"	19'-3"	18'-3"
14"	NI-40x	21'-4"	19'-9"	18'-10"	17'-11"	22'-0"	20'-5"	19'-6"	18'-6"
	NI-60	21'-8"	20'-1"	19'-2"	18'-2"	22'-4"	20'-9"	19'-9"	18'-9"
	NI-80	23'-3"	21'-6"	20'-5"	19'-4"	23'-10"	22'-1"	21'-0"	19'-11"
	NI-90	23'-9"	21'-11"	20'-10"	19'-8"	24'-3"	22'-6"	21'-5"	20'-3"
16"	NI-60	23'-7"	21'-10"	20'-10"	19'-9"	24'-4"	22'-7"	21'-7"	20'-5"
	NI-80	25'-4"	23'-5"	22'-3"	21'-1"	26'-0"	24'-1"	22'-11"	21'-8"
	NI-90	25'-10"	23'-10"	22'-8"	21'-5"	26'-5"	24'-6"	23'-4"	22'-0"

Joist depth	Joist series	Mid-span blocking with 1x4 inch strap				Mid-span blocking and 1/2 in. gypsum ceiling			
		On centre spacing				On centre spacing			
		12"	16"	19.2"	24"	12"	16"	19.2"	24"
9-1/2"	NI-20	16'-10"	15'-5"	14'-6"	13'-5"	16'-10"	15'-5"	14'-6"	13'-5"
	NI-40x	18'-7"	17'-2"	16'-3"	14'-11"	18'-10"	17'-2"	16'-3"	14'-11"
	NI-60	18'-10"	17'-6"	16'-6"	15'-5"	19'-1"	17'-6"	16'-6"	15'-5"
	NI-80	20'-2"	18'-9"	17'-11"	16'-10"	20'-7"	19'-2"	18'-2"	16'-10"
11-7/8"	NI-20	20'-1"	18'-5"	17'-5"	16'-1"	20'-1"	18'-5"	17'-5"	16'-1"
	NI-40x	21'-9"	20'-3"	19'-0"	17'-0"	22'-4"	20'-5"	19'-0"	17'-0"
	NI-60	22'-0"	20'-6"	19'-7"	18'-4"	22'-7"	20'-10"	19'-8"	18'-4"
	NI-80	23'-6"	21'-10"	20'-10"	19'-9"	24'-0"	22'-5"	21'-4"	20'-0"
	NI-90	24'-0"	22'-4"	21'-3"	20'-1"	24'-6"	22'-10"	21'-9"	20'-7"
14"	NI-40x	24'-4"	22'-8"	20'-11"	18'-8"	25'-0"	22'-11"	20'-11"	18'-8"
	NI-60	24'-9"	23'-0"	22'-0"	20'-9"	25'-5"	23'-8"	22'-4"	20'-10"
	NI-80	26'-5"	24'-6"	23'-4"	22'-1"	27'-0"	25'-2"	24'-0"	22'-8"
	NI-90	26'-11"	25'-0"	23'-10"	22'-6"	27'-5"	25'-7"	24'-5"	23'-1"
16"	NI-60	27'-2"	25'-4"	24'-2"	22'-10"	27'-11"	26'-1"	24'-9"	23'-1"
	NI-80	29'-0"	26'-11"	25'-8"	24'-3"	29'-7"	27'-7"	26'-4"	24'-11"
	NI-90	29'-6"	27'-5"	26'-1"	24'-8"	30'-1"	28'-1"	26'-9"	25'-4"

Notes:

1. The tabulated clear spans are based on CSA O86-14 and NBC 2015, and are applicable to residential floor construction meeting the above design criteria.
2. For multiple-span applications, the end spans shall be 40% or more of the adjacent span.
3. Minimum bearing length shall be 1-3/4 inch for end bearings, and 3-1/2 inches for intermediate bearings.
4. Bearing stiffeners are not required when I-joists are used in accordance with this table, except as required for hangers.
5. Nordic I-joists are listed in CCMC Evaluation Report 13032-R and APA Product Report PR-L274C.

7c

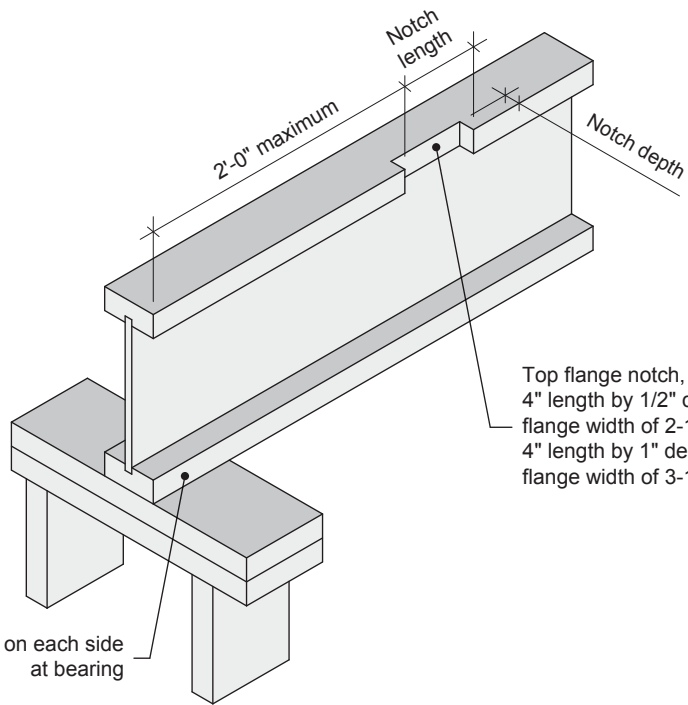


Notes:

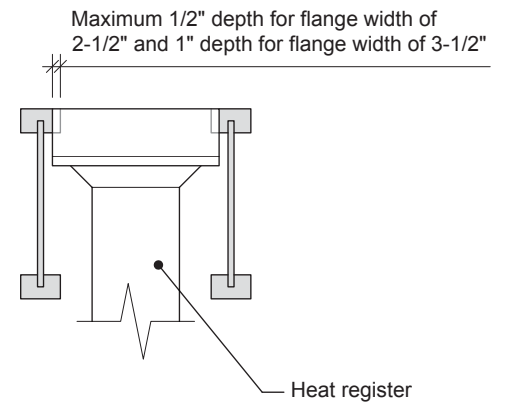
1. To prevent interference with plumbing, a joist may be shifted up to 3 inches if the edge of the floor panel is supported and the span rating is not exceeded.
2. In all other cases, an additional joist is required.

All nails shown in the details are assumed to be common nails unless otherwise noted. Nails shall have a diameter not less than 0.128 inch for 2-1/2-inch nails, or 0.144 inch for 3-inch nails. Individual components not shown to scale for clarity.

7d



Top flange notch, maximum 4" length by 1/2" depth for flange width of 2-1/2" and 4" length by 1" depth for flange width of 3-1/2"



Notes:

1. Blocking required at bearing for lateral support, not shown for clarity.
2. The maximum dimensions for a notch on the side of the top flange are 4-inch length by 1/2-inch depth for flange width of 2-1/2 inches, and 4-inch length by 1-inch depth for flange width of 3-1/2 inches.
3. This detail applies to simple-span joists and multiple-span joists where the notch is located at the end half-span.
4. For other applications, contact Nordic Structures.

All nails shown in the details are assumed to be common nails unless otherwise noted. Nails shall have a diameter not less than 0.128 inch for 2-1/2-inch nails, or 0.144 inch for 3-inch nails. Individual components not shown to scale for clarity.