

CONSTRUCTION SUMMARY

Mountainview Heights 3 (G) - Russell Gardens Building Ltd.

PURCHASERS: Chirag D. PATEL and Preetiben K. DAVE

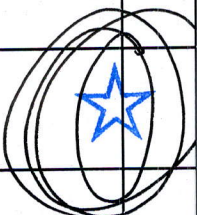
TEL: RES.: 647-537-4585

LOT / PHASE	REG. PLAN #	HOUSE TYPE
11 / 3	62M-1266	Mountainash Five (5 Bedroom) Elev 1

CABINETRY

1 - CABINETRY PROVISION - PROVISION FOR PLUG ON ISLAND (PLUG EXTRA ORDERED SEPARATELY) 14Jan21 Note:	
1 - CABINETRY - KITCHEN - LIGHT VALENCE 14Jan21 Note:	

CABINETRY ACCESSORIES

4 - KITCHEN CABINETRY ACCESSORY - PULLOUT SHELVES - KITCHEN - PANTRY 21Jan21 Note:	
2 - KITCHEN CABINETRY UPPER - GLASS DOOR - GLK340 CORD GLASS - FINISHED INTERIOR - FITS TALL UPPER CABINETS ONLY - STANDARD - KITCHEN - WET BAR - INSTALLED ABOVE SINK 21Jan21 Note:	
2 - KITCHEN CABINETRY UPPER - GLASS DOOR - GLK340 CORD GLASS - FINISHED INTERIOR - FITS TALL UPPER CABINETS ONLY - PRICE IS PER DOOR - STANDARD 14Jan21 Note:	
1 - KITCHEN CABINETRY - BUILT-IN MICROWAVE/OVEN COMBO - STANDARD 14Jan21 Note:	
<i>Revised Spec</i>	
1 - KITCHEN CABINETRY BASE - COOKTOP CABINET WITH POT DRAWERS (2 DRAWERS) - STANDARD 14Jan21 Note:	
1 - KITCHEN - WET BAR - CREATE OPENING FOR WINE FRIDGE 14Jan21 Note:	
1 - PANTRY UNIT UPGRADE - TO GO FROM 300MM TO 600MM DEEP - PRICE IS PER FOOT - STANDARD 14Jan21 Note:	
1 - KITCHEN CABINETRY UPPER - FULL DEPTH ABOVE FRIDGE - WITH GABLES - 600MM - PRICE IS EACH - STANDARD 14Jan21 Note:	
1 - KITCHEN CABINETRY BASE - POT/PAN DRAWERS (CABINET) - STANDARD - CENTERED TO ISLAND 14Jan21 Note:	
1 - KITCHEN CABINETRY BASE - PULLOUT WIRE SPICE RACK - PRICE IS EACH 14Jan21 Note:	

CERAMIC TILE

1 - PRICE IS FOR LABOUR ONLY - INSTALL TILE IN A STAGGERED PATTERN - - ENSUITE BATHROOM - FLOOR 14Jan21 Note:	
1 - PRICE IS FOR LABOUR ONLY - INSTALL TILE IN A STAGGERED PATTERN - - POWDER ROOM 14Jan21 Note:	
1 - PRICE IS FOR LABOUR ONLY - INSTALL TILE IN A STAGGERED PATTERN - - FOYER 14Jan21 Note:	
1 - TILE - UPGRADE 1 WALL TILE - - ENSUITE WALL TILE - SHOWER 14Jan21 Note:	

NQ70M7770DS

SAMSUNG

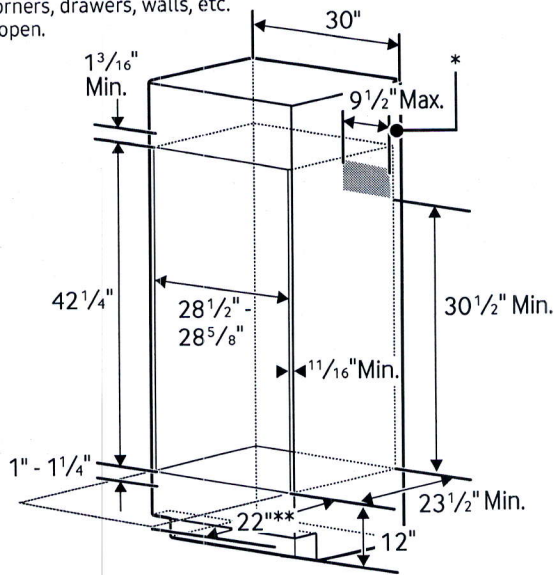
30" Microwave Combination Wall Oven

Cabinet Dimensions

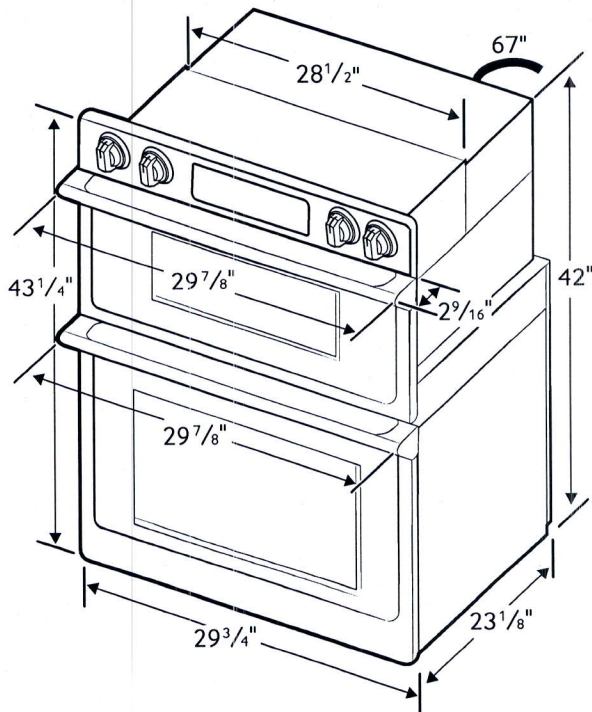
Combination Oven Installed in Cabinet

* Junction Box

** Allow a minimum of 22" for clearance to adjacent corners, drawers, walls, etc. when door is open.



Product Dimensions



Total Capacity: 1.9/5.1 cu. ft.

- Microwave: 1.9 cu. ft.
- Wall Oven: 5.1 cu. ft. total, 2.8/2.2 cu. ft.
- Hidden Bake Element
- Bake: 175°F–550°F
- Convection Bake: 175°F–550°F
- Convection Roast: 175°F–550°F
- Broil: Low-High
- Steam Bake: 230°F–550°F
- Steam Roast: 230°F–550°F
- Proofing
- Sabbath Mode

Warranty

One (1) Year All Parts and Labor
Ten (10) Years Parts Warranty for Magnetron

Product Dimensions & Weight (WxHxD)

Outside (Max) Combination Oven Dimensions:
29⁷/₈" x 43¹/₄" x 25¹¹/₁₆"

Combination Oven Cut-Out Dimensions:
28¹/₂" x 42¹/₄" x 23¹/₂"

Weight: 119 lbs.

Shipping Dimensions & Weight (WxHxD)

Dimensions:
33⁵/₈" x 48³/₁₆" x 29⁵¹/₆₄"

Weight: 132.5 lbs.

Color

Stainless Steel
Black Stainless Steel

Model

NQ70M7770DS
NQ70M7770DG

UPC Code

887276195186
887276195162

RATING	
240V	9.5 kW
208V	7.2 kW
BREAKER SIZE	
240V	40 Amps
208V	40 Amps

Actual color may vary. Design, specifications, and color availability are subject to change without notice. Non-metric weights and measurements are approximate.

©2017 Samsung Electronics America, Inc. 85 Challenger Road, Ridgefield Park, NJ 07660. Tel: 800-SAMSUNG. samsung.com. Samsung is a registered trademark of Samsung Electronics Co. Ltd.