

CONSTRUCTION SUMMARY

Mountainview Heights 3 (G) - Russell Gardens Building Ltd.

RECEIVED

PURCHASERS: KARAMVIR SINGH JUTLA and SABA HAQUE

NOV 02 2021

TEL:

LOT / PHASE	REG. PLAN #	HOUSE TYPE		
188 / 3	62M-1266	Mountainash Eleven Elev 3		

6 - KITCHEN CABINETRY ACCESSORY - GLASS SHELVES - STRAIGHT - PRICE IS EACH 16Sep21 Note:	
2 - KITCHEN CABINETRY UPPER - GLASS DOOR - WATERFALL - FINISHED INTERIOR - FITS TALL UPPER CABINETS - PRICE IS PER DOOR - UPGRADE 3 16Sep21 Note:	
1 - KITCHEN CABINETRY BASE - PULLOUT RECYCLE 2 BIN - PRICE IS EACH 16Sep21 Note:	
1 - KITCHEN CABINETRY BASE - GRIDDLE WITH POT DRAWERS (2 DRAWERS) - UPGRADE 3 16Sep21 Note:	
1 - KITCHEN CABINETRY BASE - COOKTOP CABINET WITH POT DRAWERS (2 DRAWERS) - UPGRADE 3 16Sep21 Note:	
1 - KITCHEN CABINETRY BASE - BANK OF DRAWERS - UPGRADE 3 16Sep21 Note:	
1 - KITCHEN CABINETRY BASE - PIE CUT CORNER CABINET - BASE CABINETRY - UPGRADE 3 16Sep21 Note:	
1 - CABINETRY FEE FOR FLUSH CUTOUT ON WALL OVEN/MICROWAVE COMBO CABINET ONLY 16Sep21 Note:	
1 - KITCHEN CABINETRY - BUILT-IN MICROWAVE/OVEN COMBO - UPGRADE 3 16Sep21 Note:	
1 - KITCHEN CABINETRY - APPLIANCE DOOR PANELS - 24" DISHWASHER DOOR PANEL (SUPPLY ONLY) - UPGRADE 3 16Sep21 Note:	
1 - KITCHEN CABINETRY - APPLIANCE DOOR PANELS - FRIDGE DOOR PANELS - SUPPLY ONLY - 42"-48" WIDE FRIDGES - UPGRADE 3 16Sep21 Note:	
2 - KITCHEN CABINETRY UPPER - FULL DEPTH ABOVE FRIDGE - WITH GABLES - 600MM - PRICE IS EACH - UPGRADE 3 16Sep21 Note:	
1 - KITCHEN CABINETRY UPPER - WINE RACK - UPPER - PER UNIT - UPGRADE 3 16Sep21 Note:	

CERAMIC TILE

1 - TILE - UPGRADE 6 FLOOR TILE - - POWDER ROOM 16Sep21 Note:	
1 - TILE - UPGRADE 6 FLOOR TILE - - LAUNDRY ROOM 16Sep21 Note:	
1 - DELETE ALL CERAMIC BATHROOM ACCESSORIES - DELETE TOWEL BAR, PAPER HOLDER & SOAP DISH THROUGHOUT 16Sep21 Note:	
1 - GROUT COLOUR - UPGRADE GROUT COLOUR THROUGHOUT - FLAT FEE 16Sep21 Note:	

INSTALLATION INSTRUCTIONS 27" (68.6 CM) AND 30" (76.2 CM) ELECTRIC BUILT-IN MICROWAVE OVEN FLUSH INSTALLATION KIT

INSTRUCTIONS D'INSTALLATION POUR ENSEMBLE D'INSTALLATION EN AFFLEUREMENT DE FOUR À MICRO-ONDES ÉLECTRIQUE ENCASTRÉ DE 27" (68,6 CM) ET 30" (76,2 CM)

27" (68.6 cm) Flush Installation Kits Ensembles d'installation en affleurement de 27" (68,6 cm)

Model#/ Modèle n°	Stainless Steel Acier inoxydable	Stainless Steel/ Acier inoxydable, RISE™/NOIR™
	Kit PN/ Ensemble référence: W10801485	Kit PN/ Ensemble référence: W11358283
JMC2427DS	**	*
JMC2427IM, JMC2427IL	*	**

30" (76.2 cm) Flush Installation Kits Ensembles d'installation en affleurement de 30" (76,2 cm)

Model#/ Modèle n°	Black Noir	Stainless Steel/ Acier inoxydable	Stainless Steel/ Acier inoxydable, RISE™/NOIR™
	Kit PN/ Ensemble référence: W10801487	Kit PN/ Ensemble référence: W10801486	Kit PN/ Ensemble référence: W11358282
JMC2430DB	**	*	*
JMC2430DP, JMC2430DS	*	**	*
JMC2430IM, JMC2430IL	*	*	**

- * Approved for use.
- ** Recommended color and approved for use.
- * Approuvé pour l'utilisation.
- ** Couleur recommandée et approuvé pour l'utilisation.

Table of Contents/Table des matières

BUILT-IN MICROWAVE OVEN SAFETY	2	SÉCURITÉ DU FOUR À MICRO-ONDES ENCASTRÉ	5
INSTALLATION REQUIREMENTS	2	EXIGENCES D'INSTALLATION	5
Tools and Parts.....	2	Outillage et pièces.....	5
Location Requirements	2	Exigences d'emplacement.....	5
INSTALLATION INSTRUCTIONS	4	INSTRUCTIONS D'INSTALLATION	7
Prepare Built-In Oven.....	4	Assemblage de la trousse d'entretoise	7
Install Spacer Kit	4	Installation de la trousse d'entretoise	7
Install Microwave Oven	4	Installation du four à micro-ondes	7
Complete Installation	4	Achever l'installation	7

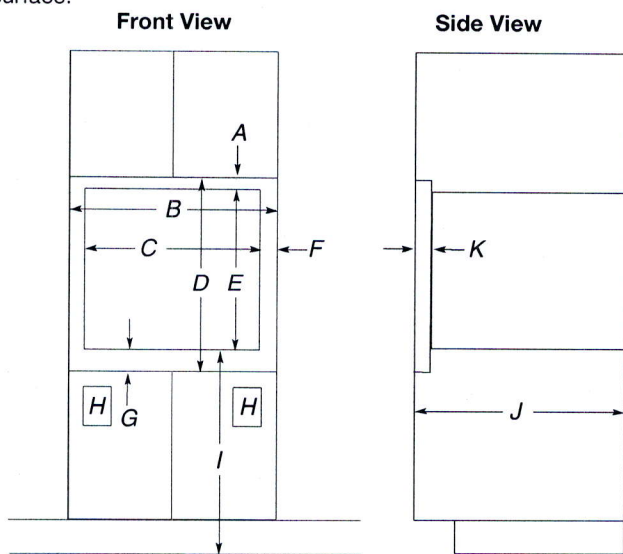
IMPORTANT:
Save for local electrical inspector's use.

IMPORTANT:
À conserver pour consultation par l'inspecteur local des installations électriques.

W11356316A

Cabinet Dimensions - Flush Installation

A 23 $\frac{1}{4}$ " (59 cm) minimum cutout depth is required. These dimensions will result in a 1/4" (6.3 mm) reveal on the top, a 1/4" (6.3 mm) reveal on the sides, and a 1/8" (3.1 mm) reveal on the bottom of the microwave oven. The front face of the cleats and platform will be visible and should be treated as a finished surface.



27" (68.6 cm) Models

- A. 1 $\frac{13}{16}$ " (4.7 cm) top cleat*
- B. 27 $\frac{1}{4}$ " (69.2 cm) minimum width of flush inset cutout
- C. 25 $\frac{1}{8}$ " (65.7 cm) minimum width of opening
- D. 20 $\frac{3}{16}$ " (51.3 cm) minimum height of flush inset cutout
- E. 17 $\frac{5}{8}$ " (44.7 cm) recommended cutout height
- F. 11/16" (1.7 cm) side cleat*
- G. 3/4" (1.9 cm) bottom cleat*
- H. Recommended junction box location
- I. 40" (101.6 cm) bottom of cutout to floor (recommended)
- J. 23 $\frac{1}{4}$ " (59.0 cm) minimum depth of cutout
- K. 1 $\frac{3}{8}$ " (3.5 cm) recess from front of cabinet

30" (76.2 cm) Models

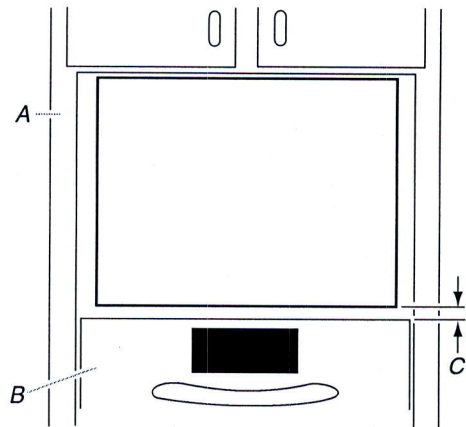
- A. 1 $\frac{13}{16}$ " (4.7 cm) top cleat*
- B. 30 $\frac{1}{4}$ " (76.8 cm) minimum width of flush inset cutout
- C. 28 $\frac{7}{8}$ " (70.8 cm) minimum width of opening
- D. 20 $\frac{3}{16}$ " (51.3 cm) minimum height of flush inset cutout
- E. 17 $\frac{5}{8}$ " (44.7 cm) recommended cutout height
- F. 11/16" (1.7 cm) side cleat*
- G. 3/4" (1.9 cm) bottom cleat*
- H. Recommended junction box location
- I. 40" (101.6 cm) bottom of cutout to floor (recommended)
- J. 23 $\frac{1}{4}$ " (59.0 cm) minimum depth of cutout
- K. 1 $\frac{3}{8}$ " (3.5 cm) recess from front of cabinet

*Cleats must be recessed 1 $\frac{3}{8}$ " (3.5 cm) from the front of the cabinet.

Minimum Installation Clearances

For proper installation, the following minimum clearances must exist below the cabinet opening.

Installation Above Single Built-In Oven



- A. Upper cabinet
- B. Lower single oven*
- C. 1" (2.5 cm) from top of oven



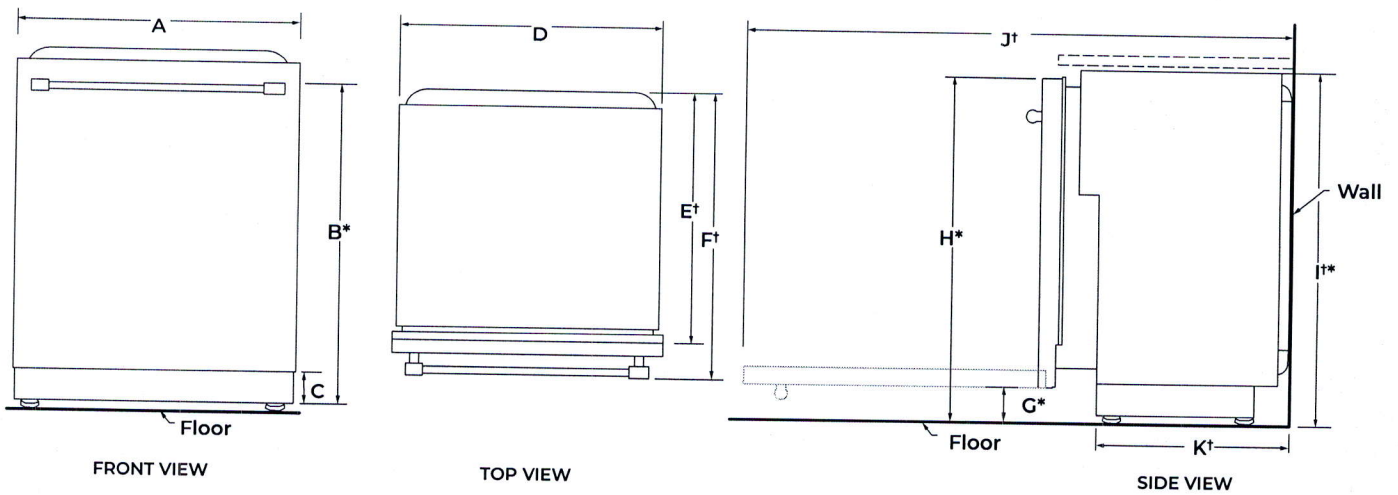
2 1/4" DISHWASHER

DETAILED PLANNING DIMENSIONS GUIDE

23 7/8" (W) x 33 5/8" (H) x 24 1/2"

23 7/8" (W) x 33 5/8" (H) x 24 3/4"

PRODUCT DIMENSIONS



	DESCRIPTION	DIMENSIONS
A	Width of door	23 7/8" (60.6 cm)
B*	Height to top of handle	31 9/16" (80.1 cm)
C	Height of adjustable toe kick	3 1/2" (8.8 cm) - min. 4 1/4" (10.8 cm) - max.
D	Width of recessed dishwasher	23 7/8" (60.6 cm)
E†	Depth without door	22 5/8" (57.5 cm)
F†	Depth with Towel Bar Handle	27 1/4" (69.2 cm)
	Depth with Pocket Handle	24 1/2" (62.2 cm)
	Depth with Wood panel	24 3/4" (62.9 cm)**
G*	Height to bottom of door (min.)	3 5/16" (8.4 cm)
H*	Height to top of door (min.)	33 7/16" (84.9 cm)
I*	Height of recessed dishwasher (min.)	33 5/8" (85.4 cm)
J†	Depth with door fully open (min.)	50 3/16" (127.4 cm)
K†	Depth with toe kick (min.)	20 13/16" (52.9 cm)

†Insulation blanket thickness not included, can be crushed up to 1/8" (0.3 cm), or removed along the top perforate section for additional clearance.

*Dishwasher can be raised 1 7/16" (3.7 cm) with feet fully extended.

**Considering 3/4" wood panel thickness.

Because Whirlpool Corporation policy includes a continuous commitment to improve our products, we reserve the right to change materials and specifications without notice.

Dimensions are for planning purposes only. For complete details, see Installation Instructions packed with product. Specifications subject to change without notice.



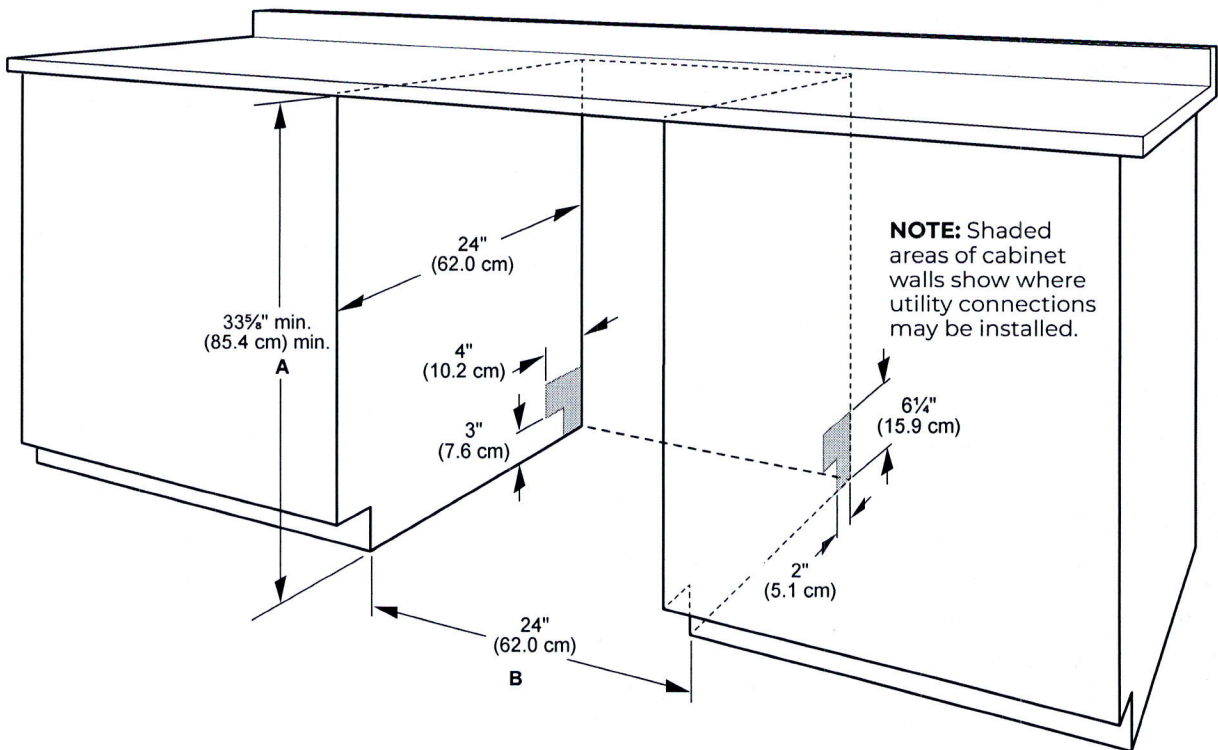
24" DISHWASHER DETAILED PLANNING DIMENSIONS GUIDE

23⁷/₈" (W) x 33⁵/₈" (H) x 24¹/₂"

23⁷/₈" (W) x 33⁵/₈" (H) x 24³/₄"

OPENING/CLEARANCE DIMENSIONS

IMPORTANT: Check that all surfaces have no protrusions that would prohibit dishwasher installation.



A. Measured from the lowest point on the underside of the countertop. May be reduced to 33⁵/₈" min. (85.4 cm) min. by removing the feet and perforated area of insulation (blanket) on dishwasher.

B. Minimum, measured from narrowest point of opening.

NOTE: Corner locations require a 2" (5.1 cm) minimum clearance between the side of the dishwasher door and the wall or cabinet.

Because Whirlpool Corporation policy includes a continuous commitment to improve our products, we reserve the right to change materials and specifications without notice.

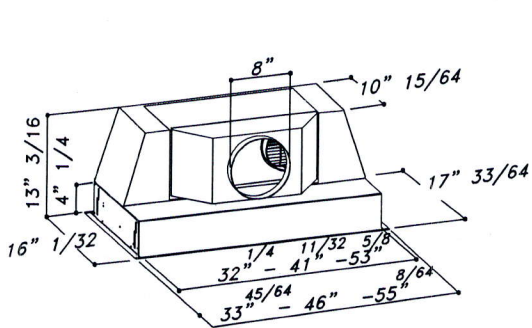
Dimensions are for planning purposes only. For complete details, see Installation Instructions packed with product. Specifications subject to change without notice.



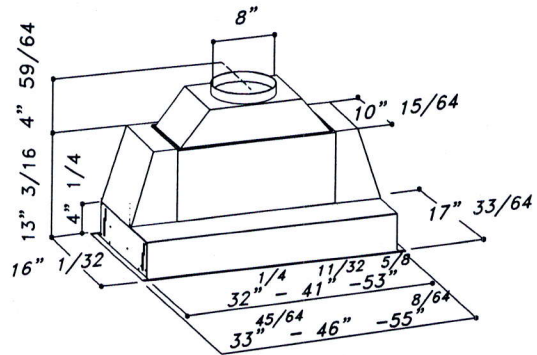
SU90934X
 SU90946X
 SU90955X

SU 909

stainless steel AISI 430



Back vented



Top vented

MOTOR	Dual Motor Aluminium die-cast housing 1100 CFM Pressure: 800 Pa Noise level: 66 dBA/5.1 sones
LIGHTING	2x1W Led spot for 34" and 46" 4x1W Led spot for 55"
CONTROL PANEL	Chromed push button 4 Speeds + timer +light
GREASE FILTER	Commercial style baffle filters
AIR OUTLET	8"
DISCHARGE	Vertical and horizontal
CUT OUT	32" 15/32 x 16" 1/8 SU909 34" version 44" 23/32 x 16" 1/8 SU909 46" version 53" 3/4 x 16" 1/8 SU909 55" version
ACCESSORIES	Charcoal filters: KF7 (Order 2 pcs for SU909 34" version) KF7 (Order 3 pcs for SU909 46"/55" version) Cod. 60080477002