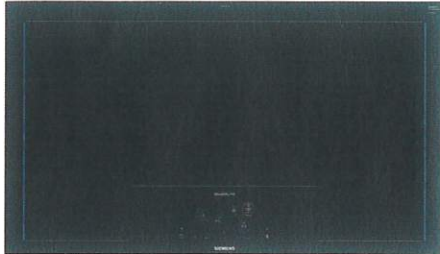


iQ700, Induction hob, 90 cm,  
Black  
EZ977KZY1E



Optional accessories

HZ32WA00 Wireless food thermometer, HZ390011 Stainless Steel roaster with glass lid, HZ390012 Steaming Rack for Stainless Steel roaster, HZ390210 System pan diameter 15 cm, HZ390220 System pan diameter 19 cm, HZ390230 System pan diameter 21cm, HZ390240 Paella pan Ø 31 cm, HZ390250 System pan diameter 28 cm, HZ39050 Wireless temperature sensor for cooktop, HZ390512 Teppan Yaki (large), HZ394301 Connecting strip, HZ9ES100 Espresso maker 4 cups, HZ9FE280 Iron pan Ø 18 / 28 cm, HZ9SE030 Set of 2 pots and 1 pan, HZ9SE040 4 pieces Set, HZ9SE060 6 pieces Set

The freeInduction Plus hob with activeLight and Home Connect for maximum flexibility.

- ✓ Shows position, size and form of the cookware directly in the screen and allows intuitive control of the cooktop - Colour TFT-Touchdisplay Plus.
- ✓ Sleek light bars give you intuitive visual feedback on where heat is applied and the selected settings - activeLight Plus.
- ✓ Home Connect: integrate your hob into your intelligent kitchen.
- ✓ Precisely maintaining the chosen temperature to avoid overboiling – cookingSensor Plus.
- ✓ powerMove Pro: Change the power level of the pot or pan in 5 steps, using only movement of the cookware .

Features

Technical Data

Product name/family: ..... Cooking zone ceramic  
 Built-in / Free-standing: ..... Built-in  
 Source of energy: ..... Electric  
 Number of cooking zones: ..... 6  
 Min. required niche size for installation (HxWxD): ..... 61 x 880-880 x 490-500 mm  
 Width of the appliance: ..... 912 mm  
 Dimensions: ..... 61 x 912 x 520 mm  
 Dimensions of the packed product (HxWxD): . 152 x 1081 x 636 mm  
 Weight: ..... 29.9 kg  
 Gross weight: ..... 33.5 kg  
 Residual heat indicator: ..... Separate  
 Location of control panel: ..... Front  
 Color of surface: ..... Black  
 Length electrical supply cord: ..... 150.0 cm  
 EAN code: ..... 4242003784006  
 Nominal power: ..... 220-240 V \*  
 Frequency: ..... 50; 60 Hz



APR 18 2024

RO PP  
PV2-55

## iQ700, Induction hob, 90 cm, Black EZ977KZY1E

### Features

#### Design

- activeLight
- 90 cm: space for 6 pots or pans.

#### Flexibility of cooking zones

- One continuous cooking zone with 3,200 cm<sup>2</sup>
- freeInduction Plus: use cookware of any shape or size anywhere on the whole hob surface.

#### Usage convenience

- 6.2" Full TFT touch display plus: easily operate the hob using the touch display and explore all available functions thanks to full-text information and images.
- 17 power levels: precisely adapt the heat with 17 power levels (9 main levels and 8 intermediate levels).
- Keep warm function: Keep Warm Function: keep dishes warm at preset low power level.
- Timer for all zones
- : switches off the cooking zone at the end of the time set (e.g. for boiled eggs).
- Acoustic signal
- : an alarm sounds at the end of the time set (e.g. for pasta).
- Count up timer
- : shows how much time has passed since starting the timer (e.g. for potatoes).

#### Time saving & efficiency

- Power boost setting
- : boil water faster thanks to 50% more energy than at the highest standard level.
- panBoost: heat up pans faster than at the highest standard level while protecting the pan coating.
- powerMove Pro: increase or decrease the power level simply by moving the pot forwards or backwards (5 levels).
- flexMotion: when moving a pot to a different cooking zone, this feature transfers all previous settings to the new zone at the touch of a button.
- quickStart function: when switching on, the hob automatically selects the cooking zone with cookware (when placed on a zone whilst the hob is off).
- reStart function: in case of unintentional switch-off, this feature restores all previous settings by switching on the hob again within 4 seconds.

#### Cooking assistance

- cookControl Plus: easily find the right temperature setting for a certain dish in the touch display.
- 1 x cookingSensor Plus included: prevents overboiling of pots with the automatic temperature regulation of the sensor (attached to the pot).

#### Connectivity

- Home Connect - enables Remote Monitoring no matter where you are, with the easy-to-use Home Connect App: check if the hob is switched off even when not at home, and find recipes or additional

functions in the Home Connect app.

- cookConnect - hood control (with Wi-Fi enabled hood): automatically activates the hood when cooking, thanks to the WiFi connection of hob and suitable hood.

#### Safety

- 3 stage residual heat indicator: indicates which cooking zones are still hot or warm.
- Control panel lock: prevent unintended activation of the hob.
- Pause function: pause the heating process, e.g. to answer the door.
- Main on/off switch: switch off all cooking zones at the touch of a button.
- Automatic safety switch off: for safety reasons, heating stops after a preset time if not used (possible to customise).

#### Installation

- Dimensions of the product (HxWxD mm): 61 x 912 x 520
- Required niche size for installation (HxWxD mm) : 61 x 880 x (490 - 500)
- Min. worktop thickness: 16 mm
- Connected load: 7.4 KW
- Connection current management (20, 16, 13, 10 Amps options): limit the maximum power if needed (depends on fuse protection of electric installation).
- Power cord: 1.5 m, Cable included

#### Accessories

- 1 x wireless temperature sensor for cooktop included

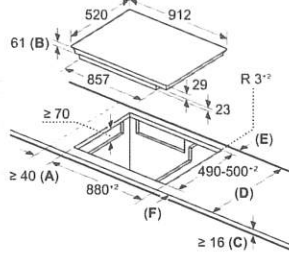
APR 18 2024

R.D. VP  
21 PV2-55

**iQ700, Induction hob, 90 cm,  
Black  
EZ977KZY1E**

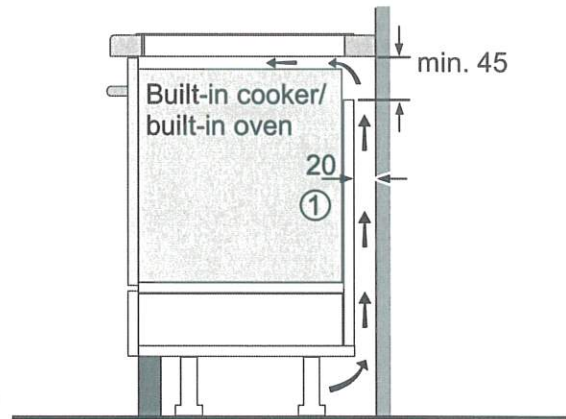
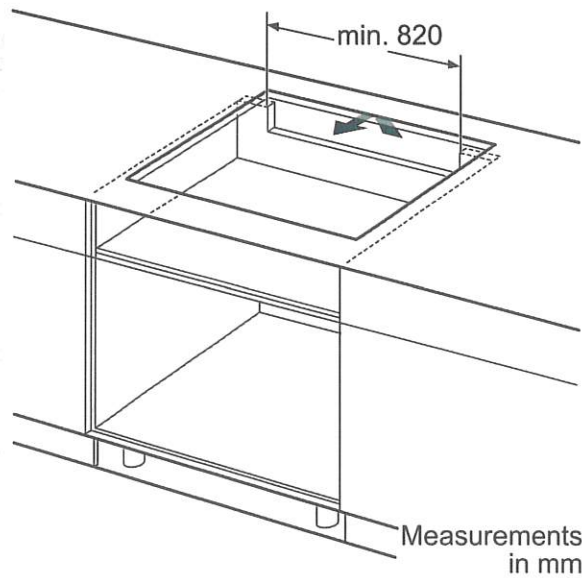
**Dimensioned drawings**

Measurements in mm



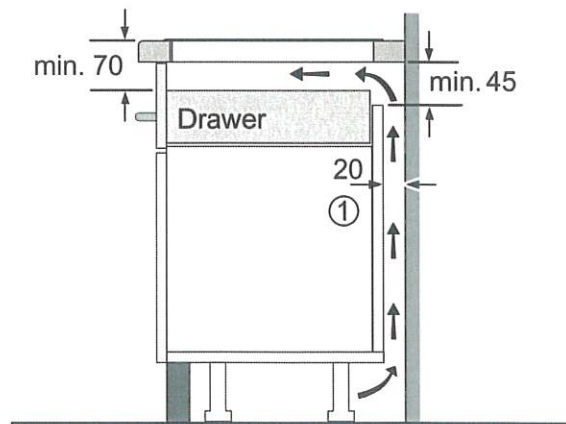
A: Min. distance from the hob cut-out to the wall  
 B: Max. recessed depth  
 C: The clearance between the surface of the worktop and the top of the front of the oven must be 40 mm  
 See space requirements for the oven  
 The worktop into which the hob is installed must withstand loads of approx. 60 kg; suitable substructures must be used if required

D	E	F
585-600	50	≥ 35
> 600	≥ 50	≥ 50



① Ventilation gap must be present

All measurements in mm



① Ventilation gap must be present.

Measurement in mm

APR 18 2024

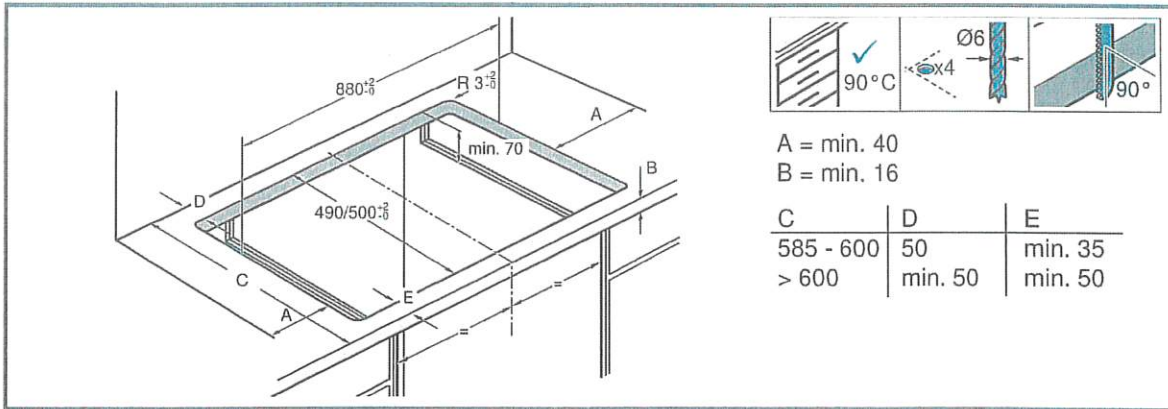
R.O. NP  
 3 / PV2-55



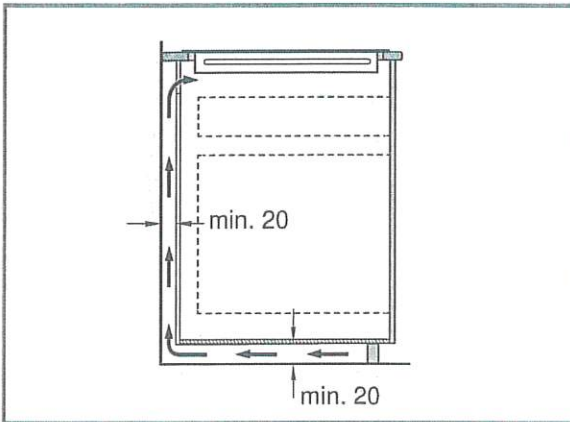
es Instrucciones de montaje  
 de Montageanleitung  
 en Installation instructions  
 fr Notice d'installation  
 it Istruzioni d'installazione  
 nl Installatie-instructies  
 da Installationsvejledning  
 pt Instruções de instalação  
 no Installasjonsveiledning

el Οδηγίες εγκατάστασης  
 sv Installationsanvisningar  
 fi Asennusohjeet  
 pl Instrukcje montażu  
 tr Kurulum talimatları  
 ru Инструкция по установке

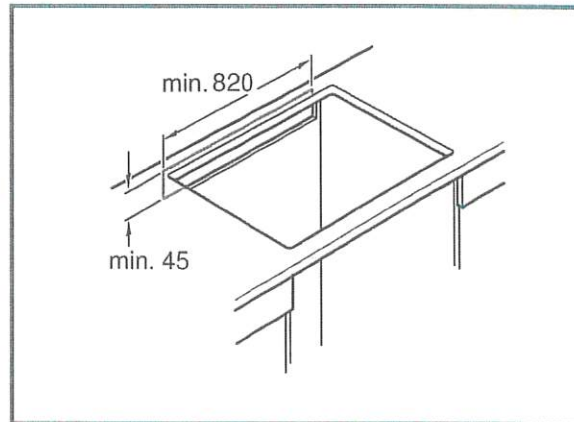
need \$



1



2

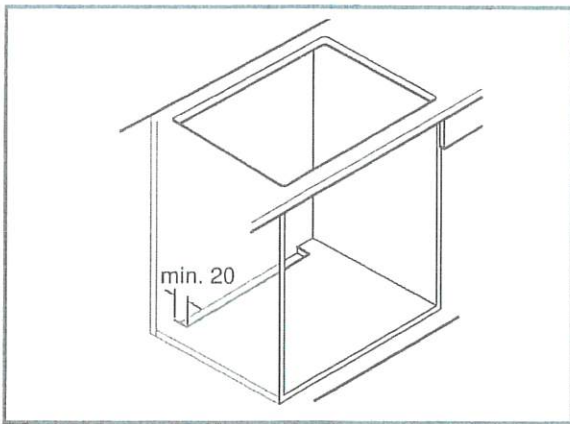


3

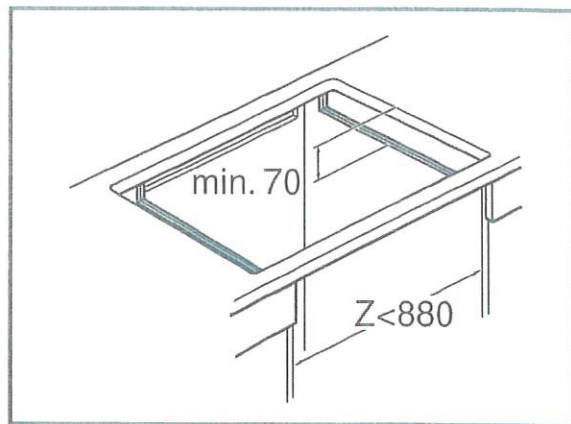
APR 15 2024

RO N.P

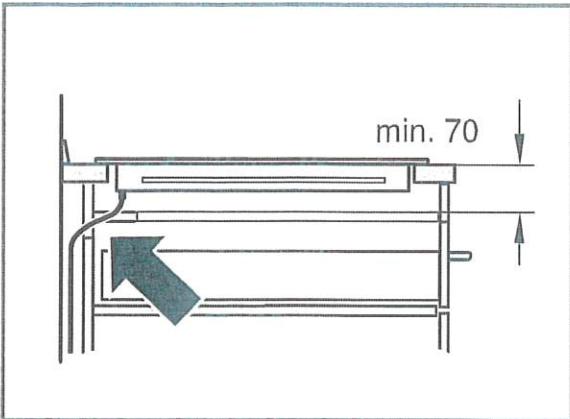
PV2-55



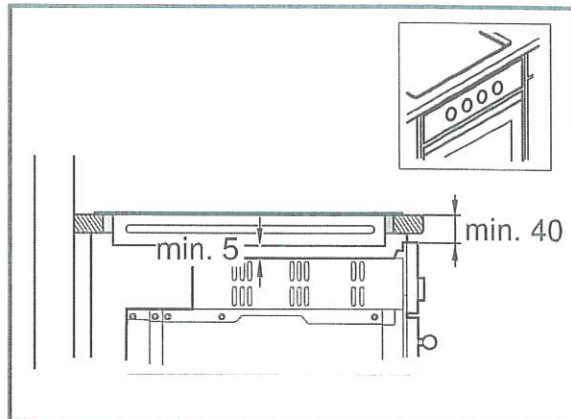
4



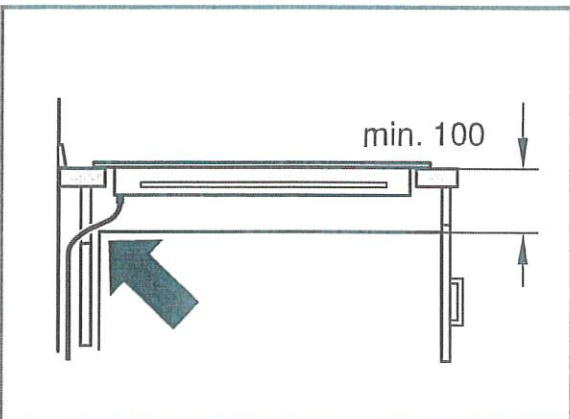
5



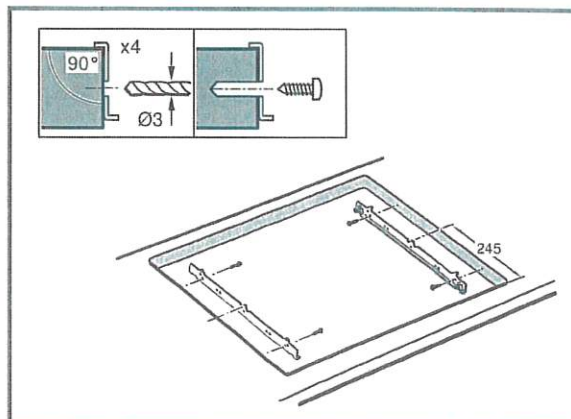
6



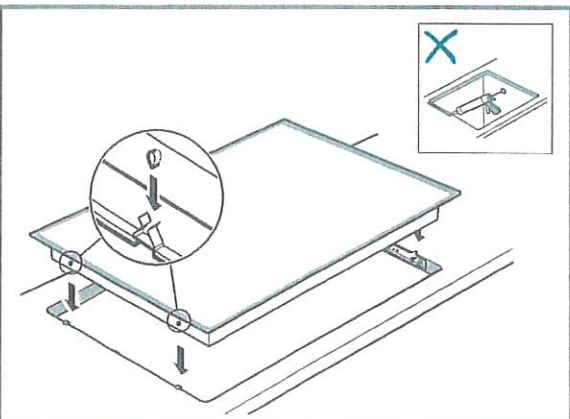
7



8



9



10

APR 15 2024

RO N.P.  
PV2-55

4. Falls das Möbelstück innen nicht breiter als 880 mm ist, Einschnitte an den Seitenwänden vornehmen.  
→ Abb. 4

5. Den unteren Sockel nicht hermetisch abschließen.

**Hinweis:** Wenn Sie das Gerät in einer Kochinsel oder an einem anderen, nicht beschriebenen Platz einbauen, eine angemessene Belüftung des Kochfelds sicherstellen.

#### Einbau über Schublade

- Um eine gute Lüftung zu gewährleisten, muss der Abstand zwischen der Oberfläche der Arbeitsplatte und dem oberen Bereich der Schublade 70 mm betragen.

→ Abb. 6

#### Einbau über Backofen

- Um eine gute Belüftung zu gewährleisten, muss der Abstand zwischen der Oberseite der Arbeitsplatte und der Oberfläche der Backofenfront 40 mm und der Mindestabstand zwischen Backofen und Kochfeld 5 mm betragen.
- In der Montageanleitung für den Backofen nachschlagen, falls Sie den Abstand zwischen Kochfeld und Backofen vergrößern müssen.

→ Abb. 7

#### Montage auf Einbaumöbel

- Um eine gute Lüftung zu gewährleisten, muss der Abstand zwischen der Oberfläche der Arbeitsplatte und dem oberen Bereich des Möbelstücks mindestens 100 mm betragen.

→ Abb. 8

#### Halteschienen montieren

- Die Halteschienen im Möbelstück montieren.
  - Die Halteschienen auf die Stein-Arbeitsplatte kleben. Einen Schmelzklebstoff verwenden, der für die Verklebung von Metall und Stein geeignet ist und eine Temperaturbeständigkeit von mindestens 90 °C hat.
  - Kein Silikon zum Abdichten verwenden.
  - Wenn bereits Halteschienen angebracht sind, diese entfernen und neue anbringen.
  - Bei gefliesten Arbeitsplatten die unteren Gewindebohrungen verwenden.

→ Abb. 9

#### Kochfeld einsetzen

- Das Kochfeld in den Ausschnitt einsetzen.  
→ Abb. 10
- Bei gefliesten Arbeitsplatten die Fliesenfugen mit Silikonkautschuk abdichten.

**Hinweis:** Das Anschlusskabel nicht knicken oder einklemmen und von scharfen Kanten und heißen Teilen fernhalten.

#### Gerät anschließen

**Voraussetzung:** Die Anschlussdaten auf dem Typenschild beachten.

1. Nur gemäß Anschlussdiagramm anschließen:

→ Abb. 11

- BN: Braun
- BU: Blau
- GN/YE: Gelb und Grün
- BK: Schwarz
- GY: Grau

**Hinweis:** Je nach Anschlussart müssen Sie eventuell die Anordnung der vom Werk gelieferten Klemmen verändern. Dafür müssen Sie eventuell die Klemmen kürzen und die Isolierung entfernen, um eine Klemme einzusetzen, die zwei Kabel verbindet.

2. Betriebsbereitschaft prüfen: Wenn in der Anzeige des Geräts *U400*, *E0513* oder *E* erscheint, ist es nicht richtig angeschlossen. Das Gerät von der Stromversorgung trennen und den Anschluss des Stromkabels an das Stromnetz prüfen.

#### Spezielle Kombinationen

Wenn Sie das Kochfeld über einem Backofen einer anderen Marke einbauen, einen Zwischenboden aus Holz verwenden.

→ Abb. 12

#### Gerät demontieren

##### ACHTUNG!

Werkzeuge können das Gerät beschädigen.

- Nie das Gerät von oben heraushebeln.

1. Das Gerät vom Stromnetz trennen.
2. Das Kochfeld von unten herausdrücken.

en



#### General information

- The appliance is very heavy. The appliance should be installed by two persons.
- Read this instruction manual carefully.
- Only a licensed expert may connect the appliance.
- Improper installation, opening of the appliance, connection or assembly may lead to a loss of validity of the product warranty.
- Switch off the power supply before carrying out any work.
- After installation, ensure that the user does not have access to the electrical components.
- Never use this appliance in boats or in vehicles.



#### Safe installation

Follow these safety instructions when installing the appliance.

The appliance can only be used safely if it is correctly installed in accordance with the installation instructions. The installer is responsible for ensuring that the appliance works perfectly at its installation location.

### **⚠ WARNING – Danger: Magnetism!**

The appliance contains permanent magnets. They may affect electronic implants, e.g. pacemakers or insulin pumps.

- ▶ Persons with electronic implants must stand at least 10 cm away from the appliance.

### **⚠ WARNING – Risk of injury!**

Parts that are accessible during installation may have sharp edges and may lead to cutting injuries.

- ▶ Wear protective gloves

### **Instructions for the electrical connection**

In order to safely connect the appliance to the electrical system, observe the following instructions.

- Only an authorised expert or a specially trained service technician may connect the appliance. The person must be approved in accordance with the local regulations of the country and the electricity supply company.
- Connect the appliance to a fixed installation and set up appropriate isolating switches in accordance with the installation regulations.
- The manufacturer shall assume no liability for malfunctions or damage resulting from incorrect electrical wiring.

### **Connection type**

- The appliance corresponds to protection class 1. You should therefore only use the appliance with a protective earth connection.

### **Information on fitted units**

- You can only install the induction hob above drawers or ovens with fan ventilation. Do not install refrigerators, dishwashers, non-ventilated ovens or washing machines below the hob.
- Ensure that the fitted unit is heat-resistant up to at least 90 °C.

### **Worktop**

Follow the worktop manufacturer's recommendations.

- Level, horizontal, stable.
- The worktop into which you are fitting the appliance must be able to withstand loads of approx. 60 kg.
- For thin worktops, use heat-resistant and moisture-resistant reinforcement material.
- Only check the evenness of the hob after it has been installed.

### **Extractor hood**

- The clearance between the extractor hood and the hob must correspond at least to the clearance specified in the installation instructions for the extractor hood.

### **Preparing the fitted units**

1. Mark the unit cut-out in accordance with the installation diagram.
  - Ensure that the angle of the cut surface to the worktop is 90°.→ Fig. 1
2. After making the cut-outs, remove any shavings.
3. Seal the cut surfaces with heat-resistant material.

### **Ventilation**

To guarantee that the appliance works correctly, the hob must be sufficiently ventilated. The ventilation in the lower section of the appliance requires a sufficient supply of fresh air. Therefore, if required, adjust the units for this purpose.

1. Maintain a minimum clearance between the rear of the unit and the kitchen wall.  
→ Fig. 2
2. Ensure that an opening at the top of the rear of the unit is unobstructed.  
→ Fig. 3
3. If the clearance from the back wall of the unit is less than 20 mm, create an opening on the underside.  
→ Fig. 4
4. If the inside of the unit is not wider than 880 mm, make cuts on the side panels.  
→ Fig. 5
5. Do not hermetically seal the lower base.

**Note:** If the appliance is installed in an island unit or in another location that is not described here, guarantee that the hob is ventilated appropriately.

### **Installation above a drawer**

- In order to guarantee good ventilation, the clearance between the surface of the worktop and the upper area of the drawer must be 70 mm.  
→ Fig. 6

### **Installation above an oven**

- To ensure good ventilation, the clearance between the top of the worktop and the surface of the oven front must be 40 mm and the minimum clearance between the oven and hob must be 5 mm.
- If the clearance between the hob and the oven needs to be increased, refer to the installation instructions for the oven.  
→ Fig. 7

### **Installation on built-in units**

- In order to guarantee good ventilation, the clearance between the surface of the worktop and the upper area of the unit must be 100 mm.  
→ Fig. 8

### **Installing the support rails**

- ▶ Install the support rails in the unit.
  - Glue the support rails to the stone worktop. Use a melt adhesive that is suitable for bonding metal and stone and has a temperature resistance of at least 90 °C.
  - Do not use silicone for sealing.
  - If mounting rails have already been attached, remove these and attach new ones.
  - Use the lower threaded holes for tiled work surfaces.  
→ Fig. 9

### **Inserting the hob**

1. Insert the hob in the cut-out.  
→ Fig. 10
2. Seal the tile joints on tiled work surfaces with silicone rubber.

**Note:** Do not kink or trap the connection cable, and keep it away from sharp edges and hot parts.

### **Connecting the appliance**

**Requirement:** Observe the connection data on the rating plate.

RO N.P.

APR 15 2024

7 PV2-55

1. Only connect as shown in the circuit diagram:

→ Fig. 11

- BN: Brown
- BU: Blue
- GN/YE: Green and yellow
- BK: Black
- GY: Grey

**Note:** Depending on the type of connection, you may have to change the arrangement of the terminals supplied by the factory. For this, you may have to shorten the clamps and remove the insulation in order to insert a clamp that connects the two cables.

2. Check that the appliance is ready for operation: If **U400**, **E0513** or **E** appears on the appliance's display, the appliance is not connected correctly. Disconnect the appliance from the power supply and check the power cord connection at the mains supply.

### Special combinations

If you install the hob above an oven made by another brand, use a wooden partition floor.

→ Fig. 12

### Removing the appliance

#### ATTENTION!

Tools may damage the appliance.

- ▶ Never prise out the appliance from above.

1. Disconnect the appliance from the mains power supply.
2. Push out the hob from below.



### Indications générales

- L'appareil est très lourd. Faites installer l'appareil par deux personnes.
- Lisez attentivement cette notice.
- Seul un spécialiste agréé est autorisé à brancher l'appareil.
- Une installation, une ouverture de l'appareil, un raccordement ou un montage incorrects annulent la validité de la garantie du produit.
- Avant toute intervention sur l'appareil, coupez l'alimentation électrique.
- Après l'installation, s'assurer que l'utilisateur n'a aucun accès aux pièces électriques.
- N'utilisez jamais cet appareil dans un bateau ou un véhicule.

### Installation en toute sécurité

Respectez les consignes de sécurité lorsque vous installez cet appareil.

La sécurité de l'appareil à l'usage est garantie s'il a été incorporé conformément aux instructions de montage. Le monteur est responsable du fonctionnement correct sur le lieu où l'appareil est installé.

### ⚠ AVERTISSEMENT – Danger : magnétisme !

L'appareil contient des aimants permanents. Ceux-ci peuvent influencer sur des implants électroniques, par ex. des stimulateurs cardiaques ou des pompes à insuline.

- ▶ Les personnes portant un implant électronique doivent donc respecter une distance minimum de 10 cm avec l'appareil.

### ⚠ AVERTISSEMENT – Risque de blessure !

Les pièces accessibles lors de l'installation peuvent présenter des arêtes vives et provoquer des coupures.

- ▶ Portez des gants de protection

### Conseils concernant le branchement électrique

Respectez les conseils suivant pour pouvoir effectuer le branchement électrique de l'appareil en toute sécurité.

- Seul un spécialiste agréé ou un technicien de service spécialement formé est habilité à raccorder l'appareil. La personne doit être agréée conformément aux réglementations locales du pays et de la compagnie d'électricité.
- Raccorder l'appareil à une installation fixe et des sectionneurs correspondants doivent être installés conformément aux prescriptions d'installation.
- Le fabricant décline toute responsabilité pour des dérangements ou dommages éventuels dus à une installation électrique incorrecte.

### Type de connexion

- Cet appareil est conforme à la classe de protection 1. Par conséquent, utiliser l'appareil uniquement avec une prise à conducteur de protection.

### Conseils concernant les meubles d'encastrement

- Vous pouvez installer la table à induction uniquement via des tiroirs ou des fours à ventilation forcée. Ne pas installer de réfrigérateur, de lave-vaisselle, de four non ventilé ou de lave-linge sous la table de cuisson.
- S'assurer que les meubles d'encastrement résistent à la chaleur jusqu'au moins 90 °C.

### Plan de travail

Respecter les recommandations du fabricant du plan de travail.

- À plat, à l'horizontale, stable.
- Le plan de travail dans lequel vous intégrez l'appareil doit pouvoir supporter une charge d'environ 60 kg.
- Pour des plans de travail minces, utiliser un matériau de renforcement résistant à la chaleur et à l'humidité.
- Vérifier la planéité de la table de cuisson une fois qu'elle est montée.

### Hotte

- La distance entre la hotte et la table de cuisson doit être au moins égale à la distance indiquée dans les instructions de montage de la hotte.


R.O. N.P.

APR 15 2024

PV 255



# SIEMENS

LD98WMM60, LD98WMM60B, LD88WMM65, LD88WMM66,  
LD88WMM66B, LD98WMM65, LD98WMM66 

## Extractor hood



EN User manual and installation instructions

Siemens Home Appliances

Register your appliance on My Siemens and  
discover exclusive services and offers.



APR 15, 2024

*handcraft*



**Product fiche concerning the "COMMISSION DELEGATED REGULATION (EU) No 65/2014"**



Trade mark: Siemens
Model Identifier: LD98WMM66
Annual Energy Consumption: 37.8 kWh/a
Energy Efficiency class: A
Fluid Dynamic Efficiency: 30
Fluid Dynamic Efficiency class: A
Lighting Efficiency: - lux/Watt
Lighting Efficiency class: -
Grease Filtering Efficiency: 82.8 %
Grease Filtering Efficiency class: C
Air flow at minimum / maximum speed in normal use: 229.3 m³/h / 519 m³/h
Air flow at intensive or boost setting: 833 m³/h
Airborne acoustical A-weighted sound power emissions at minimum / maximum speed in normal use: 41 dB / 62 dB
Airborne acoustical A-weighted sound power emissions at intensive or boost setting: 71 dB
Power Consumption in off mode: - W
Power Consumption in standby mode: 0.41 W

APR 1-8 2024

*R.O* *VP*  
*PV2-55*

## Information for domestic range hoods (EU) No. 66/2014

Model Identifier: LD98WMM66
Annual Energy Consumption : 37.8 kWh/a
Time increase factor : 0.9
Fluid Dynamic Efficiency : 30
Energy Efficiency Index : 48.1
Measured air pressure at best efficiency point : 361 Pa
Maximum air flow : 833 m <sup>3</sup> /h
Measured electric power input at best efficiency point : 115 W
Nominal power of the lighting system : - -
Average illumination of the lighting system on the cooking surface : - -
Measured power consumption in standby mode : 0.41 W
Measured power consumption off mode : - W
Sound power level : 62 dB
Short title or reference to the measurement and calculation methods used to establish compliance with the above requirements: EN 61591, EN 60704-2-13, EN 50564

Mar 30, 2024

SEG Hausgeräte GmbH, Carl-Wery-Str. 34, 81739 München, Germany

[www.siemens-home.bsh-group.com](http://www.siemens-home.bsh-group.com)

Manufactured by <BSH Legal Name> under Trademark License of Siemens AG

APR 18 2024

RO NP  
PV2-55

Further information and explanations are available online:



## Table of contents

### INFORMATION FOR USE

1	Safety .....	2
2	Avoiding material damage.....	5
3	Environmental protection and saving energy .....	5
4	Operating modes .....	5
5	Familiarising yourself with your appliance .....	7
6	Before using for the first time .....	8
7	Basic operation .....	8
8	Home Connect .....	10
9	Hob-based hood control.....	11
10	Cleaning and servicing .....	11
11	Troubleshooting.....	13
12	Disposal.....	14
13	Customer Service.....	15
14	Accessories.....	15
15	Declaration of Conformity .....	16
16	Test information .....	16
17	INSTALLATION INSTRUCTIONS .....	16
17.3	Secure installation .....	17

## 1 Safety

Observe the following safety instructions.

### 1.1 General information

- Read this instruction manual carefully.
- Keep the instruction manual and the product information safe for future reference or for the next owner.
- Do not connect the appliance if it has been damaged in transit.

### 1.2 Intended use

This appliance is designed only to be built into kitchen units. Read the special installation instructions.

The appliance can only be used safely if it is correctly installed according to the safety instructions. The installer is responsible for ensuring that the appliance works perfectly at its installation location.

Only use this appliance:

- For extracting cooking vapour.
- in private households and in enclosed spaces in a domestic environment.
- up to an altitude of max. 4000 m above sea level.

Do not use the appliance:

- in combination with a gas hob.
- With an external timer.

### 1.3 Restriction on user group

This appliance may be used by children aged 8 or over and by people who have reduced physical, sensory or mental abilities or inadequate experience and/or knowledge, provided that they are supervised or have been instructed on how to use the appliance safely and have understood the resulting dangers.

Do not let children play with the appliance. Children must not perform cleaning or user maintenance unless they are at least 15 years old and are being supervised.

Keep children under the age of 8 years away from the appliance and power cable.

### 1.4 Safe use

#### WARNING – Risk of fire!

Unsuitable appliance combinations may cause damage.

- ▶ Do not use the appliance in combination with gas hobs.

APR 15 2024

RO N.P

PV2-55

**⚠ WARNING – Risk of suffocation!**

Children may put packaging material over their heads or wrap themselves up in it and suffocate.

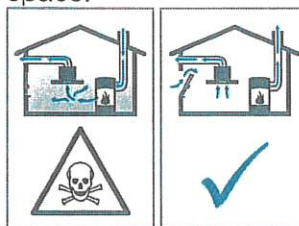
- ▶ Keep packaging material away from children.
- ▶ Do not let children play with packaging material.

Children may breathe in or swallow small parts, causing them to suffocate.

- ▶ Keep small parts away from children.
- ▶ Do not let children play with small parts.

**⚠ WARNING – Risk of poisoning!**

Risk of poisoning from flue gases being drawn back in. Room-air-dependent heat-producing appliances (e.g. gas, oil, wood or coal-operated heaters, continuous flow heaters or water heaters) obtain combustion air from the room in which they are installed and discharge the exhaust gases into the open through an exhaust gas system (e.g. a chimney). With the extractor hood switched on, air is extracted from the kitchen and the adjacent rooms. Without an adequate supply of air, the air pressure falls below atmospheric pressure. Toxic gases from the chimney or the extraction shaft are sucked back into the living space.



- ▶ Always ensure adequate fresh air in the room if the appliance is being operated in exhaust air mode at the same time as a room-air-dependent heat-producing appliance is being operated.
- ▶ It is only possible to safely operate the appliance if the pressure in the room in which the heating appliance is installed does not fall below 4 Pa (0.04 mbar). This can be achieved whenever the air needed for combustion is able to enter through openings that cannot be sealed, for example in doors, windows, incoming/exhaust air wall boxes or by other technical means. An incoming/exhaust air wall box alone is not sufficient to ensure compliance with the limit.
- ▶ In any case, consult your responsible chimney sweep. They are able to assess the house's entire ventilation setup and will suggest the suitable ventilation measures to you.

**⚠ WARNING – Risk of fire!**

Fatty deposits in the grease filters may catch fire.

- ▶ Never operate the appliance without a grease filter.
- ▶ Clean the grease filters regularly.

APR 15 2024

RO N.P.  
3 PV2-55

- ▶ Never work with naked flames close to the appliance (e.g. flambéing).
- ▶ Do not install the appliance near a solid fuel heating appliance (e.g. wood- or coal-burning) unless the heating appliance has a sealed, non-removable cover. There must be no flying sparks.

Hot oil or grease ignites very quickly.

- ▶ Always supervise hot oil and fat.
- ▶ Never extinguish burning oil or fat with water. Switch off the cooking zone. Extinguish flames carefully using a lid, fire blanket or something similar.

**⚠ WARNING – Risk of burns!**

The accessible parts of the appliance become hot during operation.

- ▶ Never touch these hot parts.
- ▶ Keep children at a safe distance.

The appliance becomes hot during operation.

- ▶ Allow the appliance to cool down before cleaning.

**⚠ WARNING – Risk of injury!**

Components inside the appliance may have sharp edges.

- ▶ Carefully clean the appliance interior. Items placed on the appliance may fall off.
- ▶ Do not place any objects on the appliance. Changes to the electrical or mechanical assembly are dangerous and may lead to malfunctions.

- ▶ Do not make any changes to the electrical or mechanical assembly.

The light emitted by LED lights is very dazzling, and can damage the eyes (risk group 1).

- ▶ Do not look directly into the switched-on LED lights for longer than 100 seconds.

If the appliance is operated by another person via the Home Connect app during cleaning, this increases the risk of injury.

- ▶ Before cleaning, disconnect the appliance from the Home Connect app.

→ *"Resetting the connection", Page 10*

**⚠ WARNING – Risk of electric shock!**

If the appliance or the power cord is damaged, this is dangerous.

- ▶ Never operate a damaged appliance.
- ▶ Never pull on the power cord to unplug the appliance. Always unplug the appliance at the mains.

- ▶ If the appliance or the power cord is damaged, immediately unplug the power cord or switch off the fuse in the fuse box.

- ▶ Call customer services. → *Page 15*

Improper repairs are dangerous.

- ▶ Repairs to the appliance should only be carried out by trained specialist staff.
- ▶ Only use genuine spare parts when repairing the appliance.
- ▶ If the power cord of this appliance is damaged, it must be replaced by trained specialist staff.

An ingress of moisture can cause an electric shock.

- ▶ Before cleaning, pull out the mains plug or switch off the fuse in the fuse box.
- ▶ Do not use steam- or high-pressure cleaners to clean the appliance.

Penetrating liquid may cause an electric shock.

- ▶ If a larger amount of liquid is flowing in the appliance, pull out the mains plug or switch off the fuse in the fuse box.

→ *"Malfunctions", Page 14*

**⚠ WARNING – Risk of explosion!**

Highly caustic alkaline or highly acidic cleaning agents in conjunction with aluminium parts in the interior of the appliance may cause explosions.

- ▶ Never use highly caustic alkaline or highly acidic cleaning agents. In particular, do not use commercial or industrial cleaning agents in conjunction with aluminium parts, e.g. grease filter on extractor hoods.

**⚠ WARNING – Risk of fire!**

Fatty deposits in the grease filters may catch fire.

- ▶ Clean the grease filters regularly.

**⚠ WARNING – Risk of injury!**

Improper repairs are dangerous.

- ▶ Repairs to the appliance should only be carried out by trained specialist staff.
- ▶ If the appliance is defective, call Customer Service.

→ *"Customer Service", Page 15*

**⚠ WARNING – Risk of electric shock!**

Penetrating moisture may cause an electric shock.

- ▶ Do not use wet sponge cloths.

APR 15 2024

EO N.P.  
PR2-55

## 2 Avoiding material damage

### ATTENTION!

Condensate may cause corrosion damage.

- ▶ To prevent condensation from building up, switch on the appliance during cooking.

If moisture gets into the controls, this may result in damage.

- ▶ Never clean controls with a wet cloth.

Incorrect cleaning damages the surfaces.

- ▶ Follow the cleaning instructions.
- ▶ Do not use harsh or abrasive detergents.
- ▶ Clean stainless steel surfaces in the direction of the finish only.

- ▶ Never clean controls with stainless steel cleaners.

Condensation that flows back in may damage the appliance.

- ▶ The air extraction duct must be installed with a gradient of at least 1° from the appliance.

If you put incorrect stress on the design elements, they may break off.

- ▶ Do not pull design elements.
- ▶ Do not place objects on the design elements or hang objects from them.

There is a risk of surface damage if you do not peel off the protective film.

- ▶ Remove the protective film from all parts of the appliance before using for the first time.

Objects set down on the appliance may damage the appliance when it is extended.

- ▶ Do not place any objects on the appliance.
- ▶ With the remote control via the Home Connect app in particular, ensure that there are no objects on the appliance.

Painted surfaces are easily damaged.

- ▶ Follow the cleaning instructions.  
→ "Cleaning the appliance", Page 11
- ▶ Ensure that the painted surfaces are not scratched.

## 3 Environmental protection and saving energy

### 3.1 Disposing of packaging

The packaging materials are environmentally compatible and can be recycled.

- ▶ Sort the individual components by type and dispose of them separately.

### 3.2 Saving energy

If you follow these instructions, your appliance will use less power.

Adjust the fan speed to the amount of steam produced during cooking.

- The lower the fan speed, the less energy is consumed.

Only use the intensive mode as required.

If cooking produces large amounts of steam, select a higher fan speed in good time.

- The odours are distributed around the room less.

Switch off the lighting if it is no longer required.

- When the lighting is switched off, it does not consume any energy.

Clean or replace the filters at regular intervals.

- The effectiveness of the filter is retained.

Put the cooking lid on.

- The cooking vapours and condensation are reduced.

Only use the additional functions if required.

- Switching off additional functions reduces power consumption.

## 4 Operating modes

You can use your appliance in air extraction mode or circulating-air mode.

The saturation indicator must be adjusted to the selected operating mode and the filters used.

→ "Setting the saturation indicator", Page 9

### 4.1 Air extraction mode

The air which is drawn in is cleaned by the grease filters and conveyed to the exterior by a pipe system.



The air must not be discharged into a flue that is used for exhausting fumes from appliances burning gas or other fuels (not applicable to appliances that only discharge the air back into the room).

- If the exhaust air is to be conveyed into a non-functioning smoke or exhaust gas flue, you must obtain the consent of the heating engineer responsible.
- If the exhaust air is conveyed through the external wall, a telescopic duct should be used.

APR 15 2024

RO N.P.  
5 PV2-55

## 4.2 Air recirculation

The air which is drawn in is cleaned by the grease filters and an odour filter, and conveyed back into the room.



To bind odours in air recirculation mode, you must install an odour filter. The different options for operating the appliance in air circulation mode can be found in our catalogue. Alternatively, ask your dealer. The required accessories are available from specialist retailers, from our after-sales service or from the online shop.

→ "Accessories", Page 15

APR 15 2024

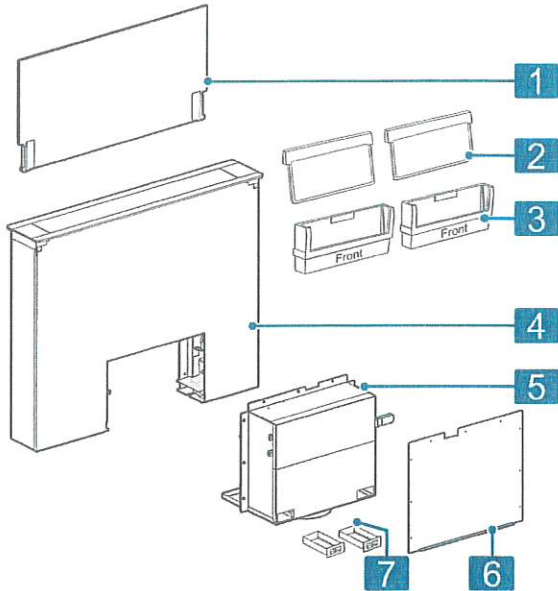
20 N.P.  
PV2-55



## 5 Familiarising yourself with your appliance

### 5.1 Overall view

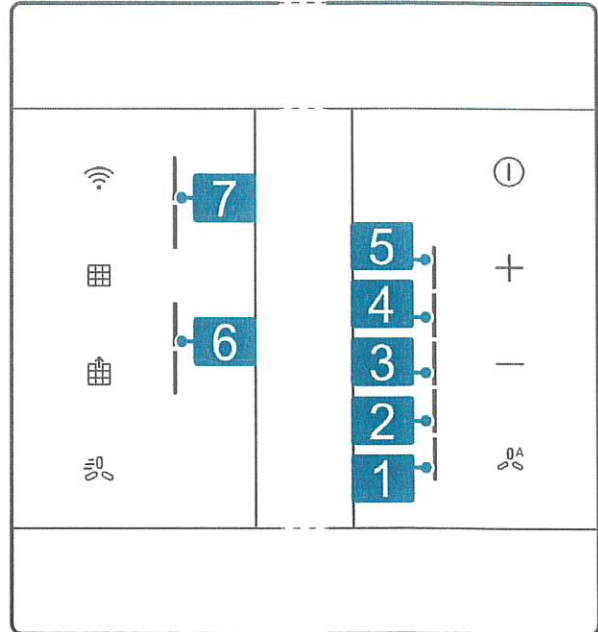
You can find an overview of the parts of your appliance here.



- 1** Glass plate
- 2** Grease filter
- 3** Filter cartridge
- 4** Appliance
- 5** Blower group
- 6** Cover plate
- 7** Drip tray

### 5.2 Controls

You can use the controls to configure all functions of your appliance and to obtain information about the operating status.



- 1** Fan setting 1
- 2** Fan setting 2
- 3** Fan setting 3
- 4** Intensive mode 1
- 5** Intensive mode 2
- 6** Odour filter saturation indicator<sup>1</sup>
- 7** Grease filter saturation indicator

<sup>1</sup> Depending on the appliance specifications

- ⓘ Switching the appliance on or off
- ⊕ Increasing the fan setting
- ⊖ Decreasing the fan setting
- Ⓜ Switching automatic mode<sup>1</sup> on or off
- 📶 Home Connect Establishing a connection
- 🧺 Reset the filter saturation indicator
- 🗑️ Removing or inserting the grease filter/odour filter<sup>1</sup>
- 🌀 Switching Guided Air on or off

<sup>1</sup> Depending on the appliance specifications

APR 15 2024

RO N.P  
P.V.2-55

## 6 Before using for the first time

Configure the settings for initial start-up. Clean the appliance and accessories.

### 6.1 Setting an operating mode

Your appliance is set to air extraction mode by default.

**Note:** When using it in circulating-air mode, you require additional accessories.

- ▶ When using it in circulating-air mode, set the operating mode.  
→ "Setting the saturation indicator", Page 9

### 6.2 Optimal use of the appliance

The Guided Air function improves the extraction of the cooking vapour. In order to optimally use your appliance, switch this function on before using the appliance for the first time.

- ▶ Switch on Guided Air. → Page 9

## 7 Basic operation

### 7.1 Switching on the appliance

- ▶ Press **⏻** to switch on the appliance.
- ✓ The appliance starts at fan setting 2.
- ✓ The Ambient Light<sup>1</sup> automatically switches on.

### 7.2 Switching off the appliance

- ▶ Press **⏻**.
- ✓ The fan run-on starts at fan setting 1.
- ✓ The Ambient Light<sup>1</sup> remains switched on for approx. 10 minutes.
- ✓ The glass panel remains extended halfway.
- ✓ The appliance switches off automatically after approx. 10 minutes.
- ✓ If you have installed the appliance and have established the power connection, the glass pane moves downwards and appliance closes.

### 7.3 Selecting a fan setting

- ▶ Press **+** or **-**.

### 7.4 Switching on intensive mode

If particularly strong odours or vapours develop, you can use intensive mode.

1. Press **+** repeatedly until LED 4 lights up in the LED display for intensive mode 1.
  2. Press **+** repeatedly until LED 5 lights up in the LED display for intensive mode 2.
- ✓ After approx. 6 minutes, the appliance automatically switches to fan setting 3.

### 7.5 Switching off intensive mode

- ▶ To select a fan setting of your choice, press **-**.

### 7.6 Switching on the fan run-on

During the fan run-on, the appliance continues to run for a short time and then switches off automatically.

**Note:** Further settings are available in the Home Connect app.

**Requirement:** The appliance is switched on.

- ▶ Press **⏻**.
- ✓ The fan run-on starts at fan setting 1.
- ✓ The Ambient Light<sup>1</sup> remains switched on for approx. 10 minutes.
- ✓ The glass panel remains extended halfway.
- ✓ The appliance switches off automatically after approx. 10 minutes.
- ✓ If you have installed the appliance and have established the power connection, the glass pane moves downwards and appliance closes.

### 7.7 Intermittent ventilation

In order to regularly ventilate your kitchen, you can use the interval ventilation. With interval ventilation, the ventilation system switches on and off in the selected setting for the selected time.

**Note:** This function is only available in the Home Connect app.

If the interval ventilation is switched on, LED 1 flashes.

### 7.8 Switching on automatic mode<sup>1</sup>

The optimum fan setting is set automatically using a sensor.

- ▶ Press **⏻**.
- ✓ The LED for the automatically set fan setting lights up in the LED display.

**Note:** In automatic mode, the Guided Air function is always switched on.

### 7.9 Switching off automatic mode<sup>1</sup>

- ▶ Press **⏻**.
- ✓ The appliance starts at fan setting 2.
- ✓ The ventilation is automatically ended when the sensor detects no further change in the room air quality.
- ✓ Automatic mode runs for a maximum of four hours.

**Note:** Further settings are available in the Home Connect app.

<sup>1</sup> Depending on the appliance specifications

## 7.10 Sensor sensitivity<sup>1</sup>



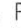
In automatic mode, a sensor in the appliance detects the intensity of the cooking odours and roasting odours. Depending on the setting of the sensor sensitivity, the optimum fan setting is automatically switched on.

If the sensor control reacts too weakly or too strongly, you can change the setting for the sensor sensitivity.

- Default setting: Fan setting 3
- Lowest setting: Fan setting 1
- Highest setting: Fan setting 5

## 7.11 Setting the sensor sensitivity<sup>1</sup>

**Requirement:** The appliance is switched on.

1. Press and hold  and  for approx. 3 seconds.
  2. Press  $+$  or  $-$  to change the setting.
  3. Press  to save the setting.  
Or wait approx. five seconds until the setting is saved automatically.
- ✓ A signal tone sounds as soon as the selected setting is saved.

## 7.12 Saturation indicator

If the grease filters or odour filters are saturated, corresponding symbols flash after the appliance is switched off.



**Note:** You can set the saturation indicator in the Home Connect app depending on the filter used.

Clean the saturated grease filters and, in doing so, observe the cleaning instructions in these instructions. Change the saturated odour filters and observe the instructions in the accompanying instructions. If odour filters can be regenerated, follow the instructions in the accompanying instructions.

## 7.13 Setting the saturation indicator

The saturation indicator must be adjusted depending on the filter used.


**Requirement:** The appliance is switched on.

1. Press and hold  and  $-$  for approx. 3 seconds.
    - To set circulating-air mode (Clean Air Standard circulating-air set or Clean Air Plus circulating-air set), press and hold  $+/-$  until LED 2 lights up in the LED display.
    - To set circulating-air mode (regenerable filter), press  $+/-$  until LED 3 lights up in the LED display.
    - To convert the electronic control back to operation without the air recirculation filter, press  $+/-$  until LED 1 lights up on the LED display.
  2. Press  to save the setting.  
Or wait approx. five seconds until the setting is saved automatically.
- ✓ A signal tone sounds as soon as the selected setting is saved.

## 7.14 Resetting the saturation indicator

After cleaning the grease filter or after changing the odour filter, the saturation indicator can be reset.

### Requirements

- After switching off the appliance, the upper two LEDs for the grease filter's saturation indicator and/or the lower two LEDs for the odour filter's saturation indicator flash in the left hand control panel.
- A signal sounds repeatedly.
- ▶ Press .
- ✓ The saturation indicator is reset.

## 7.15 Switching on Ambient Light<sup>1</sup>

### Notes

- You can switch the Ambient Light on and off in the Home Connect app.
- Additional colours are available in the Home Connect app.

**Requirement:** Fan setting 1 is switched on.

- ▶ Press  $-$ .
- ✓ The Ambient Light remains switched on.
- ✓ The ventilation system switches off.
- ✓ The glass panel remains at the top.

## 7.16 Switching on Guided Air

With the Guided Air function, the cooking vapour is routed in such a way that it can be optimally collected from the appliance and removed. The extraction of the cooking vapour is improved on front cooking zones in particular.

**Note:** This function is switched off by default.

- ▶ Press .

## 7.17 Switching off Guided Air

- ▶ Press .

<sup>1</sup> Depending on the appliance specifications

APR 15 2024

EO N.P.  
PV2<sup>9</sup>-55

## 8 Home Connect

This appliance is network-capable. Connecting your appliance to a mobile device lets you control its functions via the Home Connect app, adjust its basic settings and monitor its operating status.

The Home Connect services are not available in every country. The availability of the Home Connect function depends on the availability of Home Connect services in your country. You can find information about this at: [www.home-connect.com](http://www.home-connect.com).

The Home Connect app guides you through the entire login process. Follow the instructions in the Home Connect app to configure the settings.

**Tip:** Please also follow the instructions in the Home Connect app.

### Notes

- Please note the safety precautions in this instruction manual and make sure that they are also observed when operating the appliance via the Home Connect app.  
→ "Safety", Page 2
- Operating the appliance on the appliance itself always takes priority. During this time it is not possible to operate the appliance using the Home Connect app.
- In networked standby mode, the appliance requires a maximum of 2 W.
- If you need your device's MAC address to connect to your home network, you can find this next to the rating plate. → Page 15

### 8.1 Setting up Home Connect

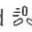
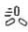
#### Requirements

- The appliance is switched off.
  - You have a mobile device with a current version of the iOS or Android operating system, e.g. a smartphone.
  - The mobile device and the appliance are within range of your home network's Wi-Fi signal.
1. Download the Home Connect app.
  2. Open the Home Connect app and scan the following QR code.



3. Follow the instructions in the Home Connect app.

### 8.2 Resetting the connection

- ▶ Reset the saved connections to the Wi-Fi and Home Connect by pressing and holding  and  for approx. three seconds.

### 8.3 Software update

Your appliance's software can be updated using the software update function, e.g. for the purposes of optimisation, troubleshooting or security updates. To do this, you must be a registered Home Connect user, have installed the app on your mobile device and be connected to the Home Connect server. As soon as a software update is available, you will be informed via the Home Connect app and will be able to start the software update via the app. Once the update has been successfully downloaded, you can start installing it via the Home Connect app if you are in your home network (Wi-Fi). The Home Connect app informs you once installation is successful.

#### Notes

- The software update consists of two steps.
  - The first step is the download.
  - The second step is the installation on your appliance.
- You can continue to use your appliance as normal while updates are downloading. Depending on your personal settings in the app, software updates can also be set to download automatically.
- Installation takes a few minutes. You cannot use your appliance during installation.
- We recommend that you install security updates as soon as possible.

### 8.4 Remote diagnostics

Customer Service can use Remote Diagnostics to access your appliance if you contact them, have your appliance connected to the Home Connect server and if Remote Diagnostics is available in the country in which you are using the appliance.

**Tip:** For further information and details about the availability of Remote Diagnostics in your country, please visit the service/support section of your local website: [www.home-connect.com](http://www.home-connect.com).

### 8.5 Data protection

Please see the information on data protection. The first time your appliance is registered on a home network connected to the Internet, your appliance will transmit the following types of data to the Home Connect server (initial registration):

- Unique appliance identification (consisting of appliance codes as well as the MAC address of the Wi-Fi communication module installed).
- Security certificate of the Wi-Fi communication module (to ensure a secure data connection).
- The current software and hardware version of your appliance.
- Status of any previous reset to factory settings.

This initial registration prepares the Home Connect functions for use and is only required when you want to use the Home Connect functions for the first time.

**Note:** Please note that the Home Connect functions can only be utilised with the Home Connect app. Information on data protection can be retrieved in the Home Connect app.

APR 15 2024

RO N.P.  
N2-55

## 9 Hob-based hood control

You can connect your appliance to a suitable hob and, in this way, control the functions of your appliance via the hob.

If the hob and the extractor hood are Home Connect-compatible, connect the appliances in the Home Connect app. To do this, connect the two appliances to Home Connect and follow the instructions in the app.

### Notes

- Please note the safety precautions in the instruction manual for your appliance and ensure that they are also observed when operating the appliance via the hob-based hood control.
- Operating your appliance always takes priority. It is not possible to use the hob-based hood control during this time.
- You can only connect to the extractor hood via the Home Connect app. Other connection routes are no longer supported.

## 10 Cleaning and servicing

To keep your appliance working efficiently for a long time, it is important to clean and maintain it carefully.

### 10.1 Cleaning products

You can obtain suitable cleaning products from after-sales service or the online shop.

#### ATTENTION!

Unsuitable cleaning products may damage the surfaces of the appliance.

- ▶ Do not use harsh or abrasive detergents.
- ▶ Do not use cleaning products with a high alcohol content.
- ▶ Do not use hard scouring pads or cleaning sponges.
- ▶ Only use glass cleaners, glass scrapers or stainless steel care products if recommended in the cleaning instructions for the relevant part.
- ▶ Wash sponge cloths thoroughly before use.

### 10.2 Cleaning the appliance

Clean the appliance as specified. This will ensure that the different parts and surfaces of the appliance are not damaged by incorrect cleaning or unsuitable cleaning products.

#### ⚠ WARNING – Risk of explosion!

Highly caustic alkaline or highly acidic cleaning agents in conjunction with aluminium parts in the interior of the appliance may cause explosions.

- ▶ Never use highly caustic alkaline or highly acidic cleaning agents. In particular, do not use commercial or industrial cleaning agents in conjunction with aluminium parts, e.g. grease filter on extractor hoods.

#### ⚠ WARNING – Risk of electric shock!

An ingress of moisture can cause an electric shock.

- ▶ Before cleaning, pull out the mains plug or switch off the fuse in the fuse box.
- ▶ Do not use steam- or high-pressure cleaners to clean the appliance.

#### ⚠ WARNING – Risk of burns!

The appliance becomes hot during operation.

- ▶ Allow the appliance to cool down before cleaning.

#### ⚠ WARNING – Risk of injury!

Components inside the appliance may have sharp edges.

- ▶ Carefully clean the appliance interior.
- If the appliance is operated by another person via the Home Connect app during cleaning, this increases the risk of injury.
- ▶ Before cleaning, disconnect the appliance from the Home Connect app.  
→ "Resetting the connection", Page 10

1. Observe the information regarding the cleaning agents.
2. Clean as follows, depending on the surface:
  - Clean stainless steel surfaces in the direction of the finish using a sponge cloth and hot soapy water.
  - Clean painted surfaces using a damp sponge cloth and hot soapy water.
  - Clean aluminium using a soft cloth and glass cleaner.
  - Clean plastic using a soft cloth and glass cleaner.
  - Clean glass using a soft cloth and glass cleaner.
3. Dry with a soft cloth.
4. Apply a thin layer of the stainless steel cleaning product to stainless steel surfaces using a soft cloth.  
You can obtain stainless steel cleaning products from the after-sales service or the online shop.

### 10.3 Cleaning controls and lights

#### ⚠ WARNING – Risk of electric shock!

Penetrating moisture may cause an electric shock.

- ▶ Do not use wet sponge cloths.
1. Observe the information regarding the cleaning agents.
  2. Clean using a damp sponge cloth and hot soapy water.
  3. Dry with a soft cloth.

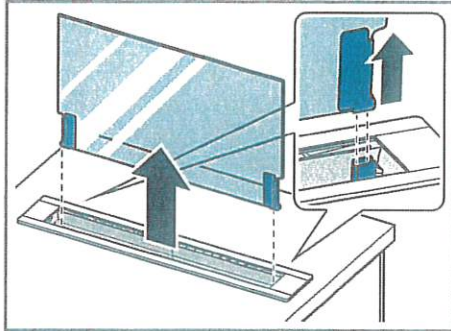
APR 15 2024

RO N.P.  
PV2-55

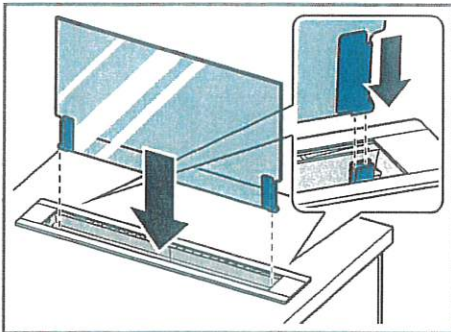
## 10.4 Cleaning the glass panel

- Note:** The appliance frame is sensitive. Remove the glass pane vertically. Do not pull the glass pane over the appliance frame. The glass pane is heavy.

Carefully remove the glass pane.



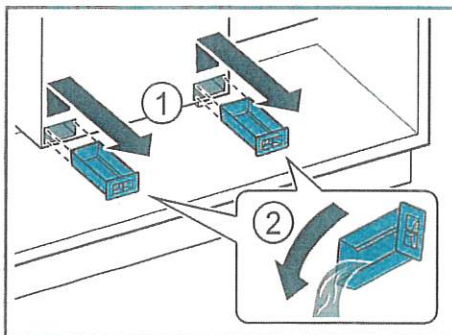
2. Observe the information regarding the cleaning agents.
3. Clean with a soft cloth and glass cleaner.
4. Carefully insert the glass pane as far as it will go into the guides.



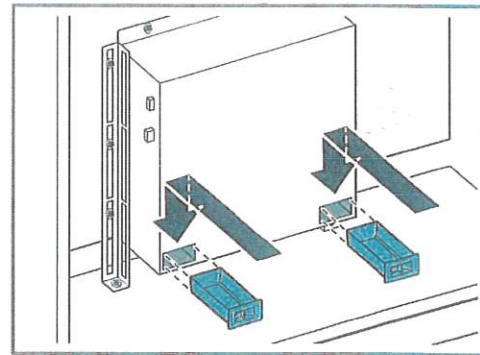
## 10.5 Cleaning the drip tray

When cooking or cleaning the appliance, liquid may get into the appliance. The drip trays are used to collect this liquid.

1. Remove the drip tray ① and empty it ②.

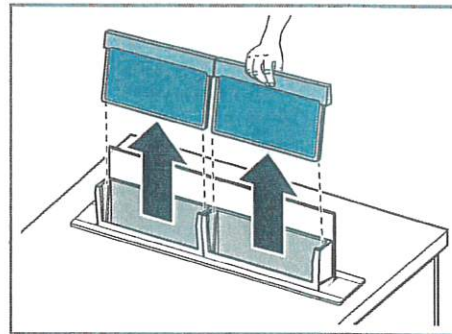


2. Observe the information regarding the cleaning agents.
3. Clean the drip tray and re-insert it.



## 10.6 Removing the grease filter

1. Press .
  - ✓ The glass panel moves halfway down and the grease filter cartridges are transported to the top.
2. Remove the grease filters.



To avoid causing damage, do not bend the grease filters.

## 10.7 Cleaning grease filters manually

The grease filters filter the grease from the cooking vapour. Regularly cleaned grease filters guarantee a high level of grease removal. We recommend cleaning the grease filters every two months.

### **WARNING – Risk of fire!**

Fatty deposits in the grease filters may catch fire.  
 ► Clean the grease filters regularly.

**Requirement:** The grease filters have been removed.  
 → "Removing the grease filter", Page 12

1. Observe the information regarding the cleaning agents.
2. Soak the grease filter in hot soapy water. Use special grease solvent for stubborn dirt. You can obtain grease solvents from customer service or the online shop.
3. Use a brush to clean the grease filters.
4. Rinse the grease filters thoroughly.
5. Allow the grease filters to drain.

## 10.8 Cleaning grease filters in the dishwasher

The grease filters filter the grease from the cooking vapour. Regularly cleaned grease filters guarantee a high level of grease removal. We recommend cleaning the grease filters every two months.

**⚠ WARNING – Risk of fire!**

Fatty deposits in the grease filters may catch fire.

- ▶ Clean the grease filters regularly.

**ATTENTION!**

The grease filters may become damaged if they are squeezed in the dishwasher.

- ▶ Do not squeeze the grease filters.

**Note:** When cleaning the grease filter in the dishwasher, light discolouration may occur. This discolouration has no effect on the performance of the metal grease filters.

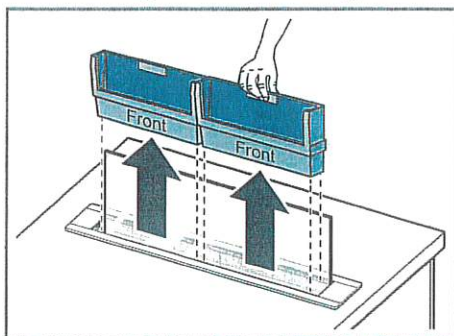
**Requirement:** The grease filters have been removed.

→ "Removing the grease filter", Page 12

1. Observe the information regarding the cleaning agents.
2. Place the grease filters loosely into the dishwasher. Do not clean heavily soiled grease filters with utensils. Use special grease solvent for stubborn dirt. You can obtain grease solvents from customer service or the online shop.
3. Start the dishwasher. Select a temperature of no more than 70 °C.
4. Allow the grease filters to drain.

**10.9 Removing the grease filter cartridge**

- ▶ **Note:** The appliance frame is sensitive. Remove the grease filter cartridges vertically. Do not pull the grease filter cartridges over the appliance frame. Remove the grease filter cartridges.



**10.10 Cleaning the grease filter cartridge**

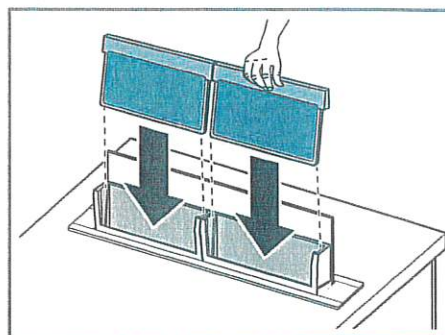
**Requirement:** The grease filters have been removed.

→ "Removing the grease filter", Page 12

1. Clean the grease filter cartridge. You can clean the grease filter cartridges by hand or in the dishwasher.
2. Observe the information regarding the cleaning agents.

**10.11 Fitting the grease filters**

1. Press . The glass panel moves halfway down and the grease filter cartridges are transported to the top.
2. Insert the grease filter into the grease filter cartridges.



To avoid causing damage, do not bend the grease filters.

3. Press .
4. The glass panel and the filter cartridges move downwards. The appliance flap closes and the appliance switches off.
5. Reset the saturation indicator. → "Resetting the saturation indicator", Page 9

**11 Troubleshooting**

You can rectify minor faults on your appliance yourself. Read the troubleshooting information before contacting after-sales service. This will avoid unnecessary costs.

**⚠ WARNING – Risk of injury!**

Improper repairs are dangerous.

- ▶ Repairs to the appliance should only be carried out by trained specialist staff.
- ▶ If the appliance is defective, call Customer Service. → "Customer Service", Page 15

**⚠ WARNING – Risk of electric shock!**

Incorrect repairs are dangerous.

- ▶ Repairs to the appliance should only be carried out by trained specialist staff.
- ▶ Only use genuine spare parts when repairing the appliance.
- ▶ If the power cord of this appliance is damaged, it must be replaced by trained specialist staff.

APR 15 2024

RO N.P.

PV2-55 13

## 11.1 Malfunctions

Fault	Cause and troubleshooting
The appliance is not working.	The mains plug of the power cord is not plugged in. ▶ Connect the appliance to the power supply.
	The circuit breaker in the fuse box has tripped. ▶ Check the circuit breaker in the fuse box.
	There has been a power cut. ▶ Check whether the lighting in your room or other appliances are working.
	The glass panel is not inserted correctly. ▶ Insert the glass panel carefully as far as it will go.
	Liquid flows into the appliance. ▶ Pull out the mains plug or switch off the appliance at the circuit breaker in the fuse box. ▶ Empty the drip trays and remove the grease filters cartridges. → <i>Page 12</i> ▶ Dry all accessible places. ▶ Leave the appliance flap open and restart the appliance only after 48 hours. ▶ Insert the drip tray and the grease filters cartridges.
The appliance flap does not close completely.	The glass panel is removed, and the appliance has been operated. ▶ Insert the glass panel and disconnect the appliance from the power supply for approx. one minute.
	An object is jammed in the appliance. ▶ Disconnect the appliance from the electricity. ▶ Carefully open the flap and remove the object that has become jammed. ▶ Close the flap carefully. ▶ Connect the appliance to the power supply.
The button illumination does not work.	The control unit is faulty. ▶ Call → <i>"Customer Service", Page 15.</i>
The lighting does not work. <sup>1</sup>	Different causes are possible. ▶ Call → <i>"Customer Service", Page 15.</i> ▶ Defective LED lights may be replaced by the manufacturer, their customer service or a qualified technician (electrician) only.
The top two LEDs flash in the left-hand control panel (7).	The grease filters are saturated. ▶ Clean the grease filters. → <i>"Cleaning grease filters in the dishwasher", Page 12</i> → <i>"Cleaning grease filters manually", Page 12</i> → <i>"Familiarising yourself with your appliance", Page 7</i>
The bottom two LEDs flash in the left-hand control panel (6).	The odour filters are saturated. ▶ Change the odour filter. → <i>"Familiarising yourself with your appliance", Page 7</i>
Home Connect is not working properly.	Different causes are possible. ▶ Go to <a href="http://www.home-connect.com">www.home-connect.com</a> .
The hob-based hood control is not working properly.	It may be necessary to change the settings. ▶ Read the instruction manual for the hob. ▶ Go to <a href="http://www.home-connect.com">www.home-connect.com</a> .

## 12 Disposal

### 12.1 Disposing of old appliance

Valuable raw materials can be reused by recycling.

1. Unplug the appliance from the mains.

2. Cut through the power cord.

3. Dispose of the appliance in an environmentally friendly manner.

<sup>1</sup> Depending on the appliance specifications

APR 15 2024

RO N.P.  
PV2-55



Information about current disposal methods are available from your specialist dealer or local authority.



This appliance is labelled in accordance with European Directive 2012/19/EU concerning used electrical and electronic appliances (waste electrical and electronic equipment - WEEE).

The guideline determines the framework for the return and recycling of used appliances as applicable throughout the EU.

## 13 Customer Service

Function-relevant genuine spare parts according to the corresponding Ecodesign Order can be obtained from Customer Service for a period of at least 10 years from the date on which your appliance was placed on the market within the European Economic Area.

**Note:** Under the terms of the manufacturer's warranty the use of Customer Service is free of charge.

Detailed information on the warranty period and terms of warranty in your country is available from our after-sales service, your retailer or on our website.

If you contact Customer Service, you will require the product number (E-Nr.) and the production number (FD) of your appliance.

The contact details for Customer Service can be found in the enclosed Customer Service directory or on our website.

### 13.1 Product number (E-Nr.) and production number (FD)

You can find the product number (E-Nr.) and the production number (FD) on the appliance's rating plate. The rating plate is located on the fan box.

Make a note of your appliance's details and the Customer Service telephone number to find them again quickly.

## 14 Accessories

You can buy accessories from the after-sales service, from specialist retailers or online. Only use original accessories, as these have been specifically designed for your appliance.

Accessories vary from one appliance to another. When purchasing accessories, always quote the exact product number (E no.) of your appliance. → Page 15 You can find out which accessories are available for your appliance in our catalogue, in the online shop or from our after-sales service.  
siemens-home.bsh-group.com

Accessories	Order number
Clean Air Plus odour filter – 80 cm + 90 cm, re-placement	LZ21WWB16
Clean Air Plus recirculation kit – 80 cm	LZ21WWI16
Clean Air Plus recirculation kit – 90 cm	LZ21WWI17
Long Life recirculation kit – 80 cm	Z21WWJ11
Long Life recirculation kit – 90 cm	LZ21WWJ12

Accessories	Order number
Installation kit for removable fans	LZ21WWM11
Installation kit for seamless installation – 80 cm	LZ28WWY12
Installation kit for seamless installation – 90 cm	LZ29WWY12
Flat duct piece – straight, 1000 mm	HZ9VDSM2
Flat duct piece – straight, 500 mm	HZ9VDSM1
90° flat duct elbow – horizontal	HZ9VDSB1
90° flat duct elbow – vertical	HZ9VDSB2
90° adapter piece – round/flat	HZ9VDSI1
Adapter piece – round/flat	HZ9VDSI0
Connecting sleeve	HZ9VDSS1

APR 15 2024

RO N.P.  
15  
PV2-55

## 15 Declaration of Conformity

BSH Hausgeräte GmbH hereby declares that the appliance with Home Connect functionality conforms to the basic requirements and other relevant provisions of Directive 2014/53/EU.

A detailed RED Declaration of Conformity can be found online at [siemens-home.bsh-group.com](http://siemens-home.bsh-group.com) among the additional documents on the product page for your appliance.



Hereby, BSH Hausgeräte GmbH declares that the appliance with Home Connect functionality is in compliance with relevant statutory requirements.<sup>1</sup>

A detailed Declaration of Conformity can be found online at [siemens-home.bsh-group.com/uk/](http://siemens-home.bsh-group.com/uk/) among the additional documents on the product page for your appliance.<sup>1</sup>



2.4 GHz band (2400–2483.5 MHz): Max. 100 mW  
5-GHz band (5150–5350 MHz + 5470–5725 MHz): max. 50 mW

	BE	BG	CZ	DK	DE	EE	IE	EL	ES
	FR	HR	IT	CY	LI	LV	LT	LU	HU
	MT	NL	AT	PL	PT	RO	SI	SK	FI
	SE	NO	CH	TR	IS	UK (NI)			

5 GHz WLAN (Wi-Fi): For indoor use only.

AL	BA	MD	ME	MK	RS	UK	UA
----	----	----	----	----	----	----	----

5 GHz WLAN (Wi-Fi): For indoor use only.

## 16 Test information

This information has been produced to facilitate the inspection of the appliance.

- Measured in accordance with EN 61591.
- The appliance is operated in its as-delivered condition.
- The fan box must be attached on the front of the appliance.
- Ensure that the filters do not move during the measurement (by changing the appliance position to the installation position).
- The ambient light is not a working light. The ambient light in light colour red has been added to the FDE value as a power consumer.

## 17 Installation instructions

Observe this information when installing the appliance.



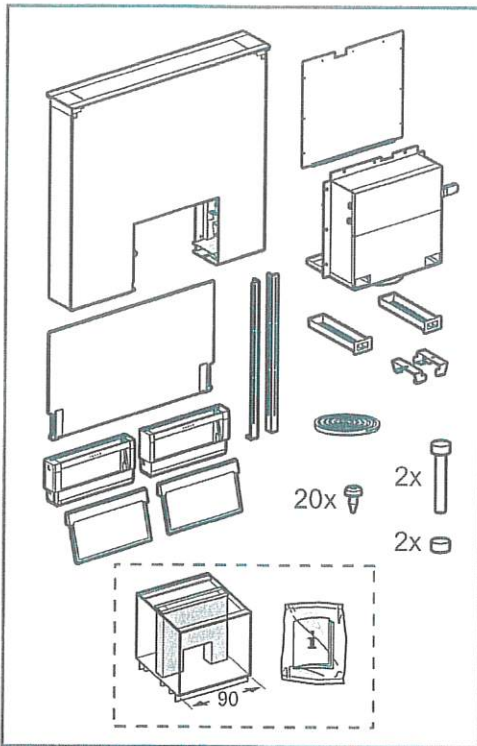
APR 15 2024

<sup>1</sup> Only applies to Great Britain

RO N.P  
PV2-55

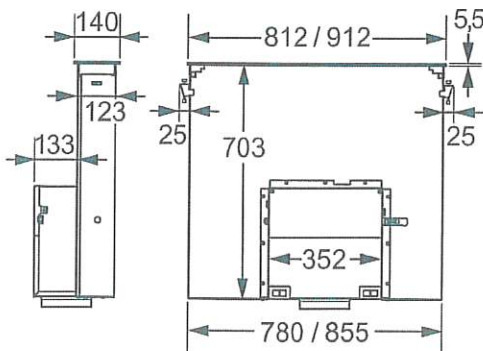
### 17.1 Included with the appliance

After unpacking all parts, check for any damage in transit and completeness of the delivery.

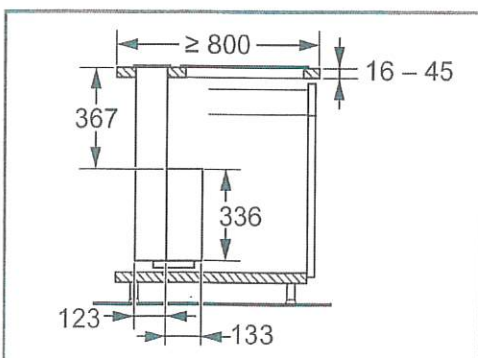


### 17.2 Appliance dimensions

You will find the dimensions of the appliance here



Observe the dimensions of the unit.

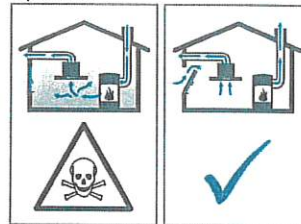


### 17.3 Secure installation

Follow these safety instructions when installing the appliance.

#### ⚠ WARNING – Risk of poisoning!

Risk of poisoning from flue gases being drawn back in. Room-air-dependent heat-producing appliances (e.g. gas, oil, wood or coal-operated heaters, continuous flow heaters or water heaters) obtain combustion air from the room in which they are installed and discharge the exhaust gases into the open through an exhaust gas system (e.g. a chimney). With the extractor hood switched on, air is extracted from the kitchen and the adjacent rooms. Without an adequate supply of air, the air pressure falls below atmospheric pressure. Toxic gases from the chimney or the extraction shaft are sucked back into the living space.



- ▶ Always ensure adequate fresh air in the room if the appliance is being operated in exhaust air mode at the same time as a room-air-dependent heat-producing appliance is being operated.
- ▶ It is only possible to safely operate the appliance if the pressure in the room in which the heating appliance is installed does not fall below 4 Pa (0.04 mbar). This can be achieved whenever the air needed for combustion is able to enter through openings that cannot be sealed, for example in doors, windows, incoming/exhaust air wall boxes or by other technical means. An incoming/exhaust air wall box alone is not sufficient to ensure compliance with the limit.
- ▶ In any case, consult your responsible chimney sweep. They are able to assess the house's entire ventilation setup and will suggest the suitable ventilation measures to you.

APR 15 2024

RO N.P.  
17  
PV 2-55

Risk of poisoning from flue gases being drawn back in.

- ▶ If an extractor hood with an open-flued heat production source is installed, the power supply for the extractor hood must be provided with a suitable safety switch.

Risk of poisoning from flue gases being drawn back in.

- ▶ Do not emit the exhaust air into a smoke or exhaust gas flue that is in operation.
- ▶ Do not emit the exhaust air into a shaft that is used to ventilate installation rooms for heat-producing appliances.
- ▶ If the exhaust air is to be conveyed into a smoke or exhaust gas flue, you must obtain the consent of the heating engineer responsible.

**⚠ WARNING – Risk of suffocation!**

Children may put packaging material over their heads or wrap themselves up in it and suffocate.

- ▶ Keep packaging material away from children.
- ▶ Do not let children play with packaging material.

**⚠ WARNING – Risk of fire!**

The grease deposits in the grease filter may catch fire.

- ▶ Never work with naked flames close to the appliance (e.g. flambéing).
- ▶ Do not install the appliance near a heat-producing appliance for solid fuel (e.g. wood or coal) unless a closed, non-removable cover is present. There must be no flying sparks.
- ▶ The specified safety clearances must be complied with in order to prevent a build-up of heat.

**⚠ WARNING – Risk of injury!**

Components inside the appliance may have sharp edges.

- ▶ Wear protective gloves.
- The appliance is heavy.
- ▶ To move the appliance, two people are required.

Changes to the electrical or mechanical assembly are dangerous and may lead to malfunctions.

- ▶ Do not make any changes to the electrical or mechanical assembly.

**⚠ WARNING – Risk of fire!**

Unsuitable appliance combinations may cause damage.

- ▶ Do not use the appliance in combination with gas hobs.

**⚠ WARNING – Risk of electric shock!**

Sharp-edged components inside the appliance may damage the connecting cable.

- ▶ Do not kink or trap the connecting cable. If the appliance or the power cord is damaged, this is dangerous.
- ▶ Never operate a damaged appliance.
- ▶ Never pull on the power cord to unplug the appliance. Always unplug the appliance at the mains.
- ▶ If the appliance or the power cord is damaged, immediately unplug the power cord or switch off the fuse in the fuse box.
- ▶ Call customer services. → Page 15

Improper repairs are dangerous.

- ▶ Repairs to the appliance should only be carried out by trained specialist staff.
- ▶ Only use genuine spare parts when repairing the appliance.
- ▶ If the power cord of this appliance is damaged, it must be replaced by trained specialist staff.

Incorrect installation is dangerous.

- ▶ Connect and operate the appliance only in accordance with the specifications on the rating plate.
- ▶ Connect the appliance to a power supply with alternating current only via a properly installed socket with earthing.
- ▶ The protective conductor system of the domestic electrical installation must be properly installed.
- ▶ Never equip the appliance with an external switching device, e.g. a timer or remote control.
- ▶ When the appliance is installed, the mains plug of the power cord must be freely accessible. If free access is not possible, an all-pole isolating switch must be installed in the permanent electrical installation according to the conditions of Overvoltage Category III and according to the installation regulations.
- ▶ When installing the appliance, check that the connection cable is not trapped or damaged.

## 17.4 General information

Follow these general instructions during the installation.

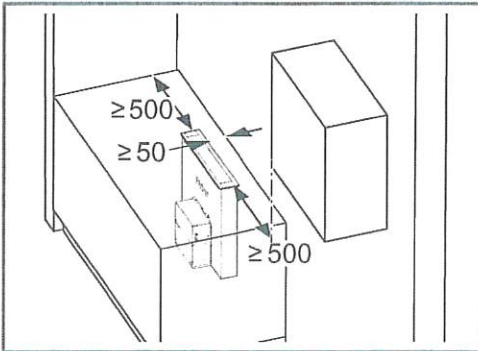
- For the installation, observe the currently valid building regulations and the regulations of the local electricity and gas suppliers.
- When discharging the exhaust air, the official and legal regulations, such as the regional building code., must be observed.
- In order to freely access the fan box for servicing, select an easy-to-reach installation site.
- The surfaces of the appliance are sensitive. Avoid damaging them during installation.

## 17.5 Information on the installation situation

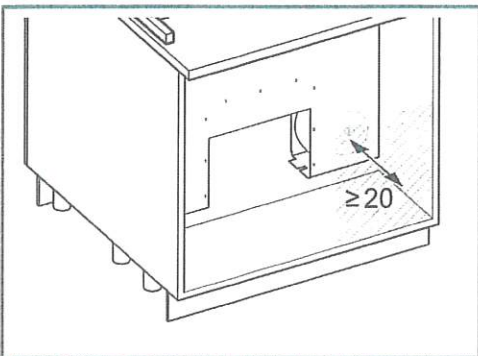
- Install this appliance in a worktop.
- The appliance is not suitable for combined operation with a gas hob.
- To install additional special accessory parts, observe the enclosed installation instructions.
- The width of the extractor hood must correspond at least with the width of the hob.
- To optimally detect the cooking vapours, install the appliance behind the hob.

To ensure that the appliance does not lose any power, do not install any wall units above the appliance and maintain the following clearances:

- At least 50 cm to the left and right from the appliance to a wall or to an adjacent wall unit
- At least 5 cm from the frame of the appliance to a wall



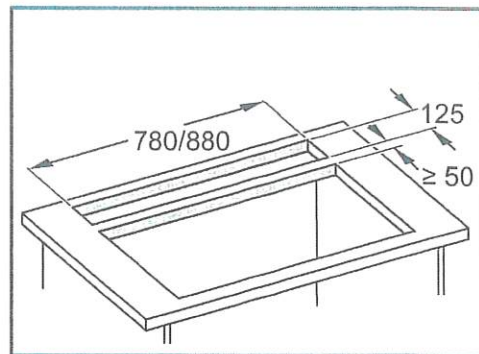
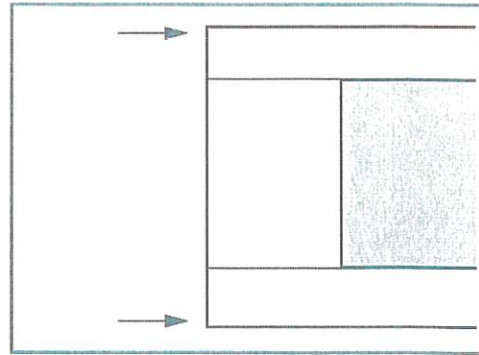
- At least 2 cm from the Guided Air suction area to a unit wall



- Include a ventilation opening in the base with a cross-section of 80 cm<sup>2</sup>.

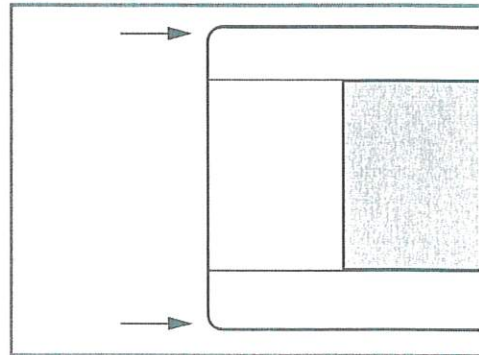
## Flush installation of appliances with sharp corners

Do not install appliances with sharp edges in stone or granite worktops.



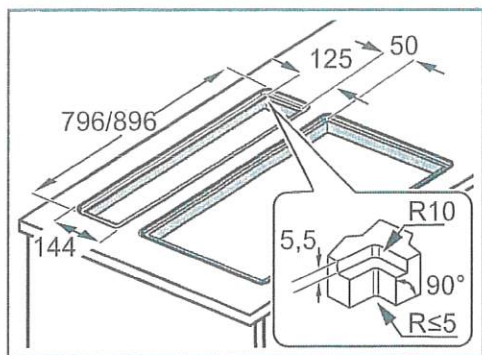
## Flush installation of appliances with rounded corners

You can install appliances with rounded corners into each worktop.



APR 15 2024

20 N.P.  
PV2-55



### 17.6 Instructions for the exhaust air pipe

The appliance manufacturer does not provide any warranty for faults attributable to the pipeline.

- Use a short, straight exhaust air pipe with as large a pipe diameter as possible.
- Long, rough exhaust air pipes, many pipe bends or small pipe diameters reduce the suction power and increase the fan noise.
- Use an exhaust pipe that is made of non-combustible material.
- To prevent condensate from returning, fit the exhaust pipe with a 1° gradient from the appliance.

**Note:** Suitable air extraction ducts are available from our after-sales service, your dealer or on our website.

#### Flat ducts

Use flat ducts with an inner cross-section that corresponds to the diameter of the round pipes:

- Diameter of 150 mm corresponds to approx. 177 cm<sup>2</sup>.
- Diameter of 120 mm corresponds to approx. 113 cm<sup>2</sup>.
- Use sealing strips for different pipe diameters.
- Do not use any flat ducts with sharp bends.

#### Round pipes

Use round pipes with an inner diameter of 150 mm (recommended) or at least 120 mm.

## 17.7 Installation

### Checking the units

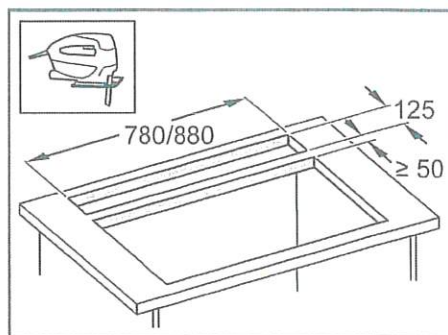
- ▶ Check whether the fitted unit is level and has sufficient load-bearing capacity.  
The maximum weight of the appliance is 40 kg.

### Preparing the units

**Note:** To install the hob and the appliance seamlessly, you require special accessories, which are not included in the scope of delivery. Observe the enclosed installation instructions for special accessories.

**Requirement:** The unit is suitable for the installation.

1. Make a cut-out in the worktop, depending on the installation position.



The angle between the cut surface and the worktop must be 90°.

2. Ensure that the worktop has sufficient load-bearing capacity and stability.  
Use a heat- and humidity-resistant reinforcing material for any substructure.
3. Ensure that the fitted unit is still stable after the cut-outs have been made.
4. Remove any shavings.
5. Depending on the installation position, remove the back panel of the fitted unit.

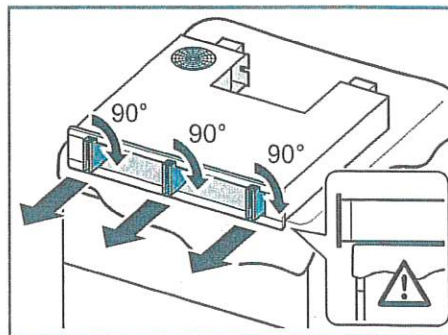
### Preparing the appliance

#### ⚠ WARNING – Risk of injury!

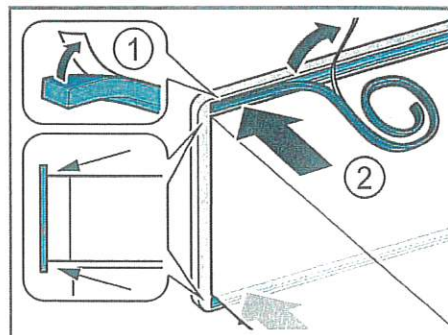
The appliance is heavy.

- ▶ To move the appliance, two people are required.
- ▶ Use only suitable tools and equipment.

1. Place the appliance on a soft surface and remove the transit bolt.



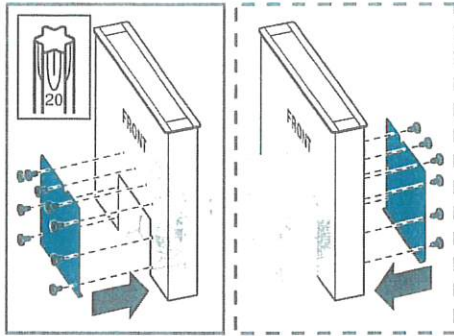
2. Stick the seal in the designated groove ① and trim it ②.



APR 15 2024

RO N.P.  
P12-55

- Screw the cover plate in tightly, depending on the installation situation.



### Installing the appliance

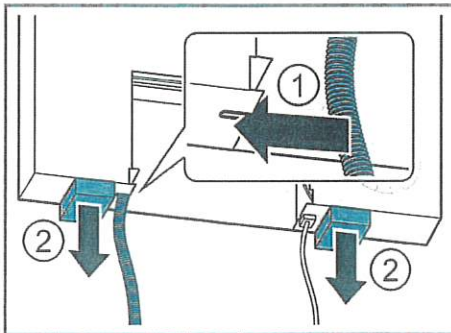
#### ⚠ WARNING – Risk of injury!

Components inside the appliance may have sharp edges.

- ▶ Wear protective gloves.
- The appliance is heavy.
- ▶ To move the appliance, two people are required.
- ▶ Use only suitable tools and equipment.

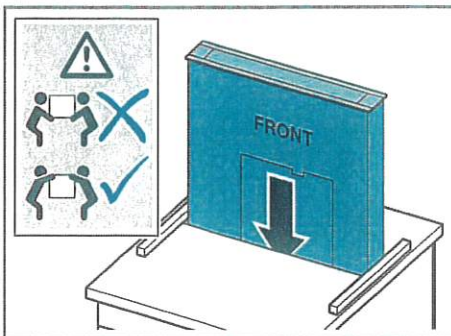
**Note:** To protect the cables, do not remove the transit bolt yet.

- Lift the appliance by the short sides and align the front of the appliance with the hob.
- Pull the cable connection into the strain relief ① and remove the transit bolt ②.



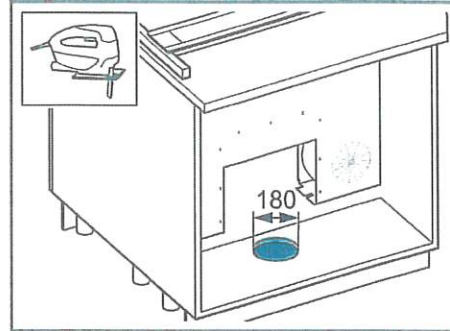
- Note:** To ensure that the appliance is not yet fully inserted into the cut-out, place a slat below the short side of the appliance in each case.

Insert the appliance into the cut-out in the worktop from above.

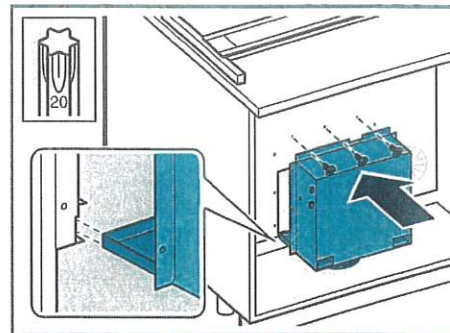


- Insert the appliance evenly so that it is not tilted.
- Mark the cut-out for the pipework:

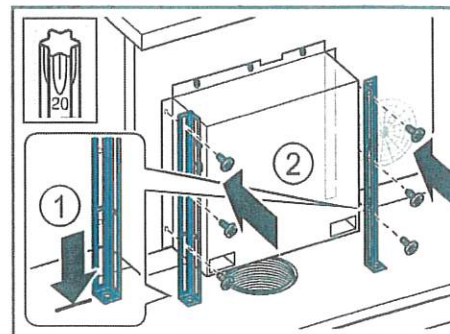
- Attach the exhaust air hose for the fan box to the connector.
  - Slide the fan box into the guide and tighten this with a screw.
  - Mark the position of the pipework on the bottom of the unit.
  - Undo the screw and remove the fan box again.
- Saw out the cut-out for the pipework.



- Slide the fan box into the guide, connect the pipe-work and screw the fan box tightly back in place.



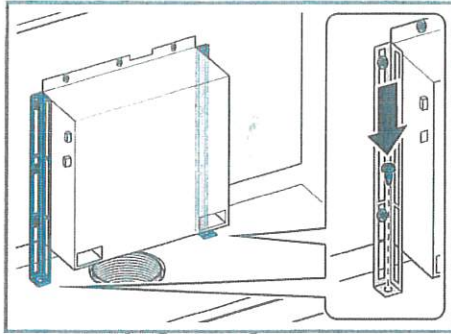
- Support the appliance from below and remove the slats.
- Insert the appliance fully in the cut-out.
- Align the rails to the bottom ① and attach to the side ②.



APR 15 2024

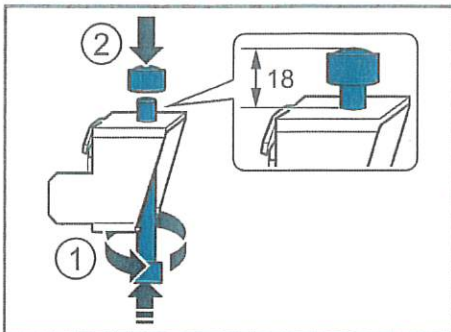
RO  
N.P.  
PV2-55

10. Screw the rails onto the bottom of the unit.

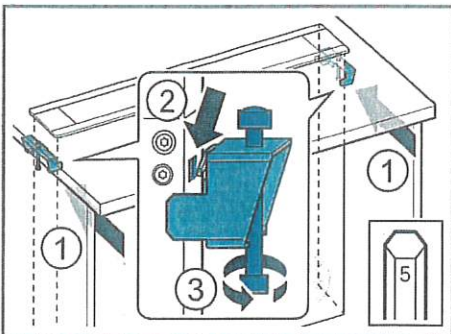


11. **Note:** If an appliance measuring 90 cm is installed in a unit with a width of 90 cm, skip the next two installation steps and follow the instructions in the additional accessory pack.

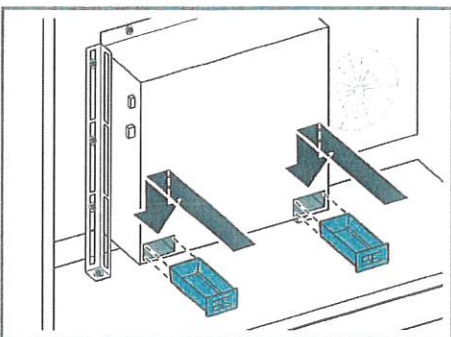
Screw in the screw from below and tighten the nut.



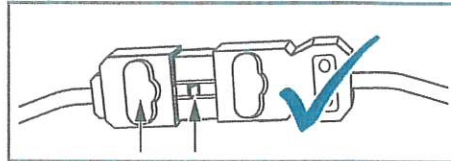
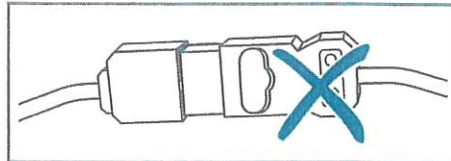
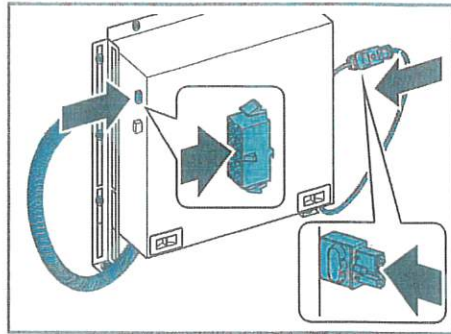
12. Align the appliance to the hob (1) and tension it against the worktop (2) (3).



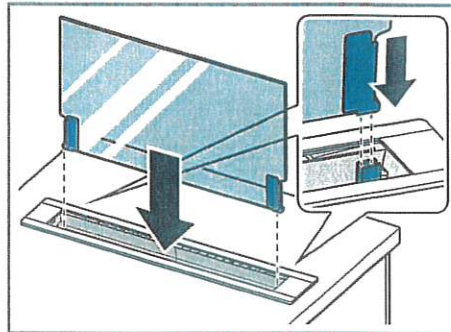
13. Insert the drip tray and snap it into place.



14. Plug the cables into the fan box.



15. Carefully insert the glass pane as far as it will go into the guides.



16. Connect the appliance to the power supply.

✓ If you have installed the appliance and have established the power connection, the glass pane moves downwards and appliance closes.

17. Insert the grease filters.

→ "Fitting the grease filters", Page 13

APR 15 2024





**BO450612**  
**Oven 400 series**  
**Stainless steel-backed full glass door**  
**Width 60 cm**  
**right-hand**  
**Controls at the top**

Handleless door / automatic door opening  
 Pyrolytic system  
 13 heating methods with core temperature probe and baking stone function  
 Automatic programmes  
 Core temperature probe with estimation of cooking time  
 TFT touch display  
 Panel-free appliance with surface control module  
 Electronic temperature control from 30 °C to 300 °C  
 Net volume 76 litres

**Heating methods**  
 Hot air. Eco hot air. Top + bottom heat. Top heat. Bottom heat. Hot air + bottom heat. Full surface grill + circulated air. Full surface grill. Compact grill. Baking stone function. Roaster function. Dough proofing. Defrosting.

**Handling**  
 Automatic door opening.  
 Rotary knob and TFT touch display operation.  
 Clear text display.  
 Option to save individual recipes (incl. core temperature probe).  
 Personalisation of automatic programmes.  
 Information key with use indicators.  
 Side-opening door opens up to 180° angle.

**Features**  
 Three-point core temperature probe with automatic shut-off and estimation of cooking time.  
 Baking stone socket.  
 Actual temperature display.  
 Rapid heating.  
 Timer functions: cooking time, cooking time end, timer, stopwatch, long-term timer.  
 60 W halogen light on the top.  
 10 W halogen light on the side.  
 Enamelled side shelf supports with 4 tray levels, pyrolysis-safe.  
 Home network integration for digital services (Home Connect) either via cable connection LAN (recommended) or wireless via WiFi.  
 The use of the Home Connect functionality depends on the Home Connect services, which are not available in every country. For further information please check: home-connect.com.

**Safety**  
 Thermally insulated door with quadruple glazing.  
 Child lock.  
 Safety shut-off.  
 Cooled housing with temperature protection.

**Cleaning**  
 Pyrolytic system.  
 Gaggenau enamel.  
 Heated catalyser to clean the oven air.

**Planning notes**  
 Door hinge not reversible.  
 When planning a corner solution, pay attention to the 90° door opening angle.  
 The mains socket needs to be planned outside the built-in niche.

**Connection**  
 Total connected load 4.0 KW.  
 Total Amps: 17 A

**Product Features**  
**Cooking mode**  
 Baking stone function, Bottom heat, Conventional heat, Defrost, Dough proving setting, Full width grill, Half width grill, Hot Air, Hot Air-Eco, Hot air grilling, Roaster function, Top heat  
**Integrated Cleaning system**  
 Self Clean  
**Interior Lights - cavity 1**  
 2  
**Pull-out system**  
 Accessory  
**Timer settings**  
 Alarm, Off, On, timer  
 x enamel baking tray, suit. pyrolytic clean, x grill shelf, x grill tub with grid, x pluggable meat probe  
**Bake Element Wattages cavity 1 (W)**  
 1300  
**Broil Element Wattages cavity 1 (W)**  
 3000  
**Convection Element Wattages cavity 1 (W)**  
 2100  
**Microwave Wattages (W)**  
**Drawer wattage (W)**

**Consumption and connection features**  
**UPC code**  
 825225957416  
**Product color**  
**Alternative colors available**  
**Energy source**  
 Electric  
**Watts (W)**  
 4030  
**Current (A)**  
 17  
**Volts (V)**  
 208/220-240  
**Frequency (Hz)**  
 60  
**Approval certificates**  
 CSA, ETL, UL  
**Power cord length (in)**  
 39 3/8  
**Power cord length (cm)**  
 100  
**Plug type**  
 fixed connection  
 23 1/4 " x 22 1/16 x 21 11/16 "  
**Required cutout size (HxWxD) (mm)**  
 590-590 x 560-560 x 550  
**Overall appliance dimensions (HxWxD) (mm)**  
 595 x 590 x 547  
**Product packaging dimensions (HxWxD) (in)**  
 30 11/16 x 26 3/4 x 29 15/16  
**Product packaging dimensions (HxWxD) (mm)**  
 770 x 710 x 660  
**Net weight (lbs)**  
 126.000  
**Net weight (kg)**  
 56.950  
**Gross weight (lbs)**  
 135.000  
**Gross weight (kg)**  
 61.1  
 2020-09-03  
 Page 1

208 / 220 - 240 V / 60 Hz.  
 Connection cable 1.0 m without plug.  
 Power consumption standby/display off 0.5 W.  
 Power consumption standby/network 1.4 W.  
 Please check the user manual for how to switch off the WiFi module.

**Color Variants**  
**BO450612**  
**Stainless steel-backed full glass door**  
**Width 60 cm**

**Included accessories**  
 x enamel baking tray.  
 suit. pyrolytic clean.  
 x grill shelf.  
 x grill tub with grid.  
 x pluggable meat probe.

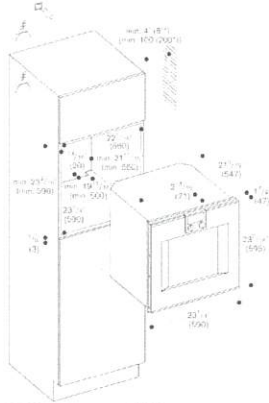
**Optional accessories**  
**BA016165**  
**Pull-out system**  
**BA026115**  
**Baking tray, enameled**  
**BA036165**  
**Wire rack, chromium-plated**  
**BA056115**  
**Heating element for baking stone and cast-iron roaster**  
**BA056133**  
**Baking stone**  
**BA226105**  
**Broil pan, enameled**  
**BS020002**  
**Pizza peel, additional set of 2**  
**GN340230**

**Product Variants**  
**BO451612**  
**Oven 400 series**  
**Stainless steel-backed full glass door**  
**Width 60 cm**  
**left-hand**  
**Controls at the top**

**GAGGENAU**

RO PP  
 PV2-55  
 APR 18 2024

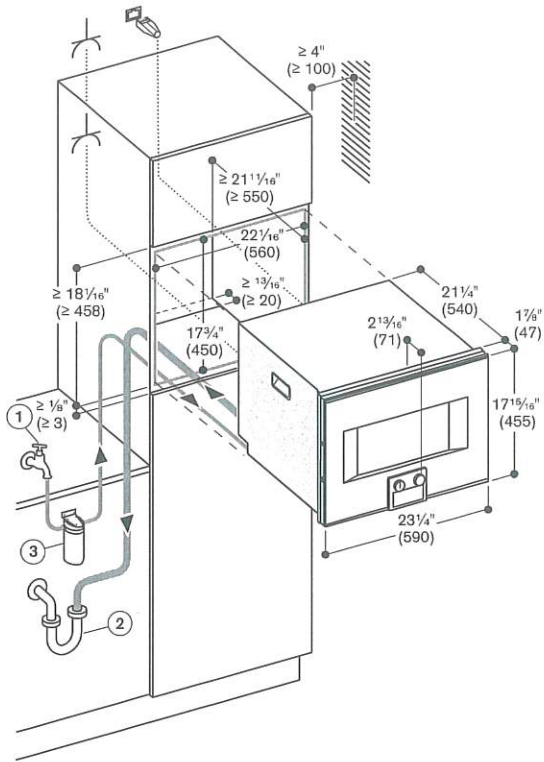
BO450612  
Oven 400 series  
Stainless steel-backed full glass door  
Width 60 cm  
right-hand  
Controls at the top  
2020-09-03  
Page 2



PV2-55

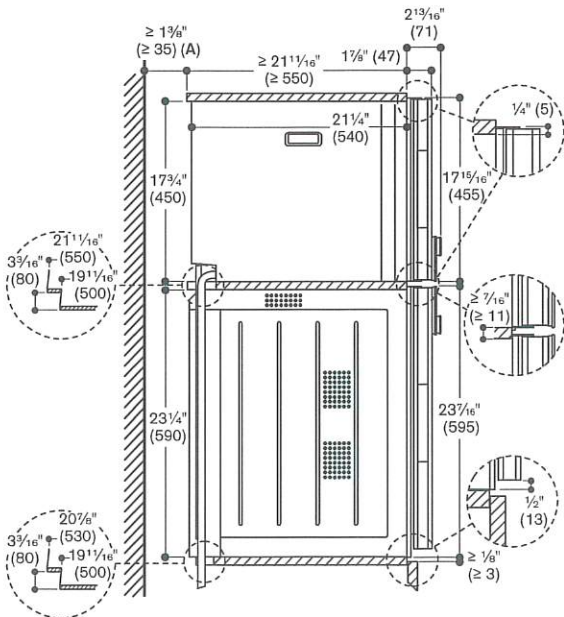
APR 18 2024

RO NP

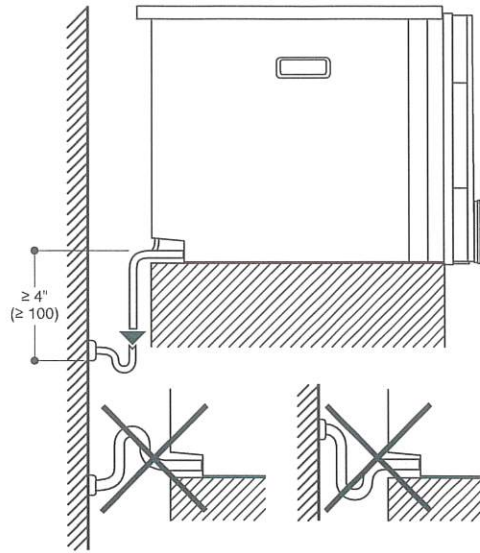


⚡ Socket

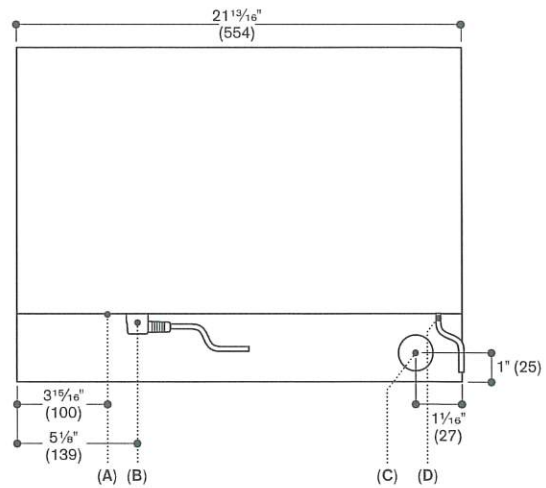
Side view of BS 474/475 above BO



A: Only required if the water hoses for the BS steam oven cannot be accommodated in the corner recesses of the appliances.



View from rear



- A: LAN connection
- B: Electric terminal box
- C: Water outlet
- D: Cold water inlet

Numbers indicated inside parenthesis ( ) = mm

PV2-55  
APR 18 2024

R.O. MP



**Controls on top**

**Left-hinged only**

CM 470 712

Stainless steel-backed full glass front  
Width 24" (60 cm)

**Included accessories**

- 1 assembly screws
- 1 scoop
- 1 water hardness test strip
- 1 milk container (insulated) 17 oz (0.5 liters)
- 1 connection hose for milk frother
- 1 milk tube
- 1 bean container with lid

**Optional accessories**

(order as spare parts):

**Part No. 12008246**

Water filter

**Part No. 00312010**

Descaling liquid (1 Pack)

**Part No. 00312013**

Descaling liquid (4 Pack)

**Part No. 00312096**

Cleaning tablets

**Part No. 00636455**

Door hinge restrictor

(92° opening angle)

**Part No. 11005967**

Stainless steel milk container

**Part No. 11015223**

Bean container with lid

**400 series plumbed, fully automatic espresso machine**

CM 470

- Handleless door / automatic door opening
- Fixed inlet and outlet water connection
- Continuous flow heater means no waiting time and constant brewing temperature
- Aroma brewing technology for a full aroma
- Single portion cleaning
- TFT touch display
- Centralized controls for easy use and intuitive operation
- One-touch operation
- Personalization function
- Seven light settings
- Electronic fill level control for milk, water and coffee to ensure a perfect result

**Type of beverage**

- Ristretto / 2 x Ristretto.
- Espresso / 2 x Espresso.
- Espresso Macchiato / 2 x Espresso Macchiato.
- Coffee / 2 x Coffee.
- Americano / 2 x Americano.
- Caffe Latte / 2 x Caffe Latte.
- Latte Macchiato / 2 x Latte Macchiato.
- Cappuccino / 2 x Cappuccino.
- Flat White / 2 x Flat White.
- Milk froth / 2 x Milk froth.
- Warm milk / 2 x Warm milk.
- Hot water / 2 x Hot water.

**Operation**

Automatic door opening to the left, Rotary knobs and TFT touch display operation.  
Clear text display in 44 languages.  
Personalization function, option to save 8 individualized beverages.  
4 beverage size settings from small to extra large; can be individually adjusted to match the size of the cup.  
8 coffee strength levels from very mild to extra strong.  
3 coffee temperature levels.  
10 hot water temperature levels.  
4 coffee-milk ratio levels.  
Adjustable grinding level.  
Height-adjustable coffee dispenser 2 3/4" - 5 7/8".  
Easy access to water tank, milk and coffee bean container behind the door.

**Features**

Maintenance-free grinding unit with ceramic discs.  
Separate drawer for second ground coffee type.  
Water pump with 275 psi (19 bar) pressure.  
Double grinding and brewing cycles for extra intensity for single beverage order. For double beverage order, two grinding and brewing cycles.  
Beverage dispenser with integrated milk system.  
Insulated stainless steel milk container for up to 17 oz. (0.5 liters).  
Integrated LED lighting.  
Removable 1.1 lbs. (0.5 kg) bean container with aroma lid, allows for an effortless exchange of different types of coffee beans.  
Automatic adjustment of ground coffee quantity.  
Removable 81 oz. (2.4 liter) water tank.

Drain connection: 3/4" 67" long (1.7 m) rubber outlet hose included  
Drain size: 1 1/2" diameter minimum.  
Vacuum break recommended.  
Ensure a 6" minimum drop to connect to the drain line to ensure proper drainage.

**Rating**

Total rating: 1,600 W.  
Total Amps: 10 A  
120 V / 60 H  
Connecting cable 39" with three-prong plug (NEMA 5-15P).

Plan for a LAN cable or connect via WiFi.

Electronic water filter exchange indicator.  
Electronic fill level control for drip tray and container for coffee residue.

Home network integration for digital services (Home Connect) either via cable connection LAN (recommended) or wireless via WiFi.  
The use of the Home Connect functionality depends on the Home Connect services, which are not available in every country. For further information please check: home-connect.com.

**Safety**

Child lock.  
Aqua stop.

**Cleaning**

Fully automatic rinse program when machine is turned on/off.  
Automatic steam cleaning of the milk system after every beverage.  
Automatic cleaning and descaling program.  
Emptying program to prepare the appliance for holiday or transportation.  
Removable brewing unit.  
Coffee residue container and drip tray dishwasher-safe.  
Beverage dispenser dishwasher-safe.

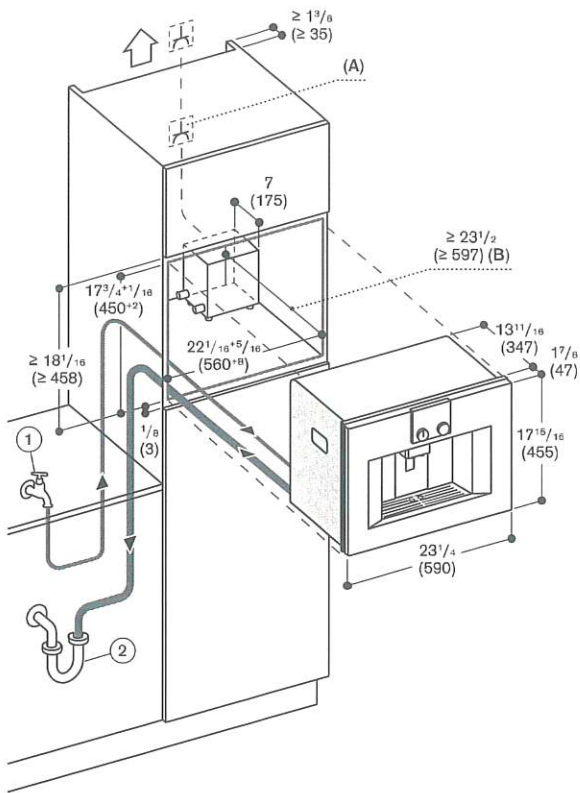
**Planning notes**

Ideal installation height 3.1 ft - 4.8 ft. (top edge of bottom cut-out).  
The front of the appliance extends 1 7/8" from the furniture cavity.  
When installing in a corner a side clearance is required.  
Door opening angle approx. 110° (delivery status) - mounting distance to the wall has to be at least 13 3/4".  
Door opening angle approx. 155° - mounting distance to the wall has to be at least 25 5/16".  
Door opening angle approx. 92° - mounting distance to the wall has to be at least 3 15/16" (spare part No. 00636455).  
Installation directly above WS461 (5 3/4" tall) high warming drawer in 23 1/4" standard cut-out.  
At no point may the outlet hose be positioned higher than the bottom edge of the appliance. The outlet hose must also be at least 5 7/8" lower than the appliance outlet (see drawing "drainage connection").  
If necessary, the transformer can be placed in an adjacent cabinet. Note that the length of the power cable between the transformer and appliance is 23 1/2" (600 mm).  
If the appliance is placed too far from the main siphon, the drain system has to be adjusted on-site (building installation).  
The water connection (1) for the inlet hose must always be accessible and not located directly behind the appliance.  
The connection of the outlet hose to the siphon (2) must not be directly behind the appliance and should be accessible.  
Water connection: 3/4" inner diameter, 1" outer diameter (cold water only)  
65" long (1.65 m) aqua stop inlet hose included.

R.O. NP

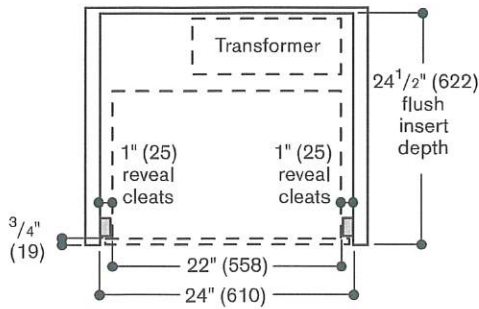
APR 18 2024

PV2-55

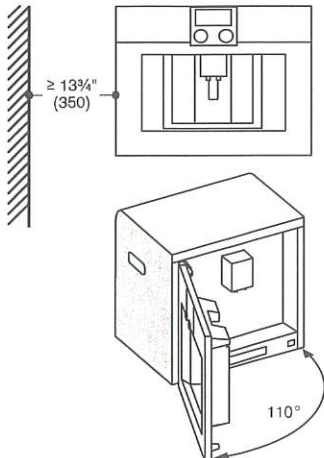


A: Outlet  
B: Depth incl. transformer

### Top View



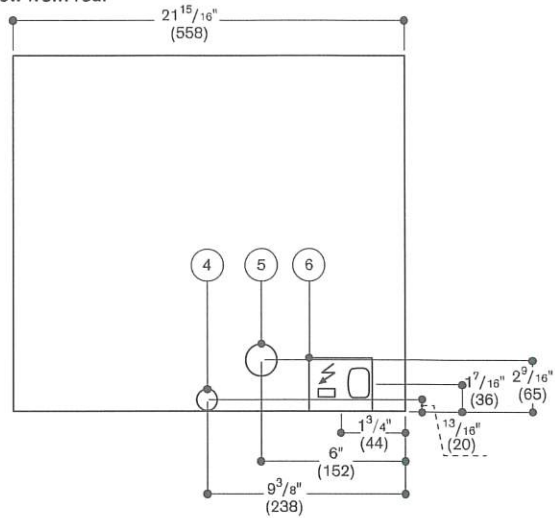
### Left corner installation



If using the 92° door hinge restrictor (spare part no. 00636455), the minimum distance from the wall is only 4" (100).

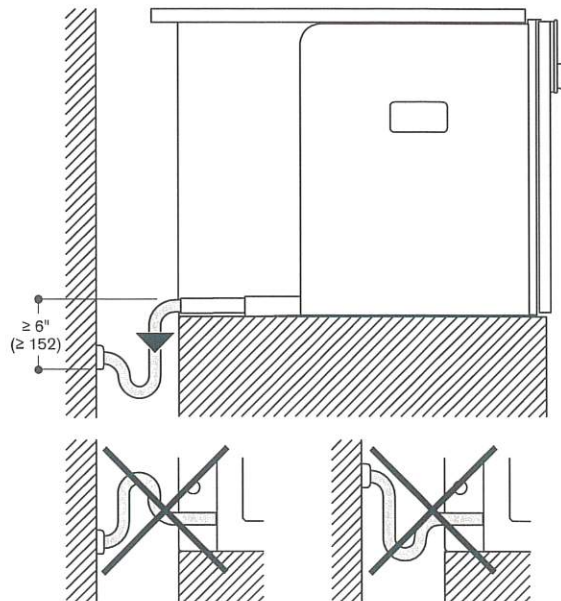
Numbers indicated inside parenthesis ( ) = mm

### View from rear



(4) Water outlet  
(5) Cold-water connection  
(6) Electric terminal box

### Drainage connection



APR 18 2024

R.O. NP  
PV2-55



## WS 461 710

Stainless steel-backed glass front  
Width 24" (60 cm), Height 5 3/8" (14 cm)

### 400 series warming drawer WS 461

- Handleless warming drawer
- Bright interior light
- Cushioned closing system
- Hygienic stainless steel interior with glass bottom
- 4 temperature levels ranging from 100°F - 175°F
- Also for preparing and cooking meals
- Net volume 0.75 cu.ft.

#### Cooking modes

Defrosting of meals/proofing of yeast dough.  
Preheating of small beverages.  
Keeping meals warm/slow cooking.  
Warming of ovenware.

#### Operation

Rotary knob operation.  
Recessed grip at the front bottom of drawer.

#### Features

Volume capacity: coffee set for 10 including espresso cups, cappuccino cups and plates or place settings for six including ø 11" plates and bowls.

Max. load 55 lbs.

Usable interior dimensions:  
H 3 3/4" x W 18 1/2" x D 18 3/16"

Integrated heating under glass for easy cleaning.

Convection fan for even heat distribution.

Status display, visible in the glass front.  
Glass bottom made of safety glass.

#### Planning notes

The front of the appliance extends 1 7/8" from the cabinet front.  
Installation of BS Combi-steam oven/ BM Combi-microwave oven/ CM espresso machine directly above drawer in 24" cutout without a partition shelf in between.

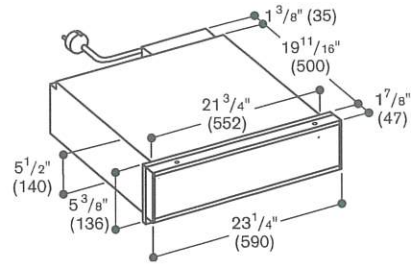
Built-in under countertop or in single cut-out.

When mounting the drawer below the 400 series Combi-steam oven, plan a recess of at least 1 3/8" between the back wall and the drawer to allow for the inlet and outlet hose to be installed appropriately.

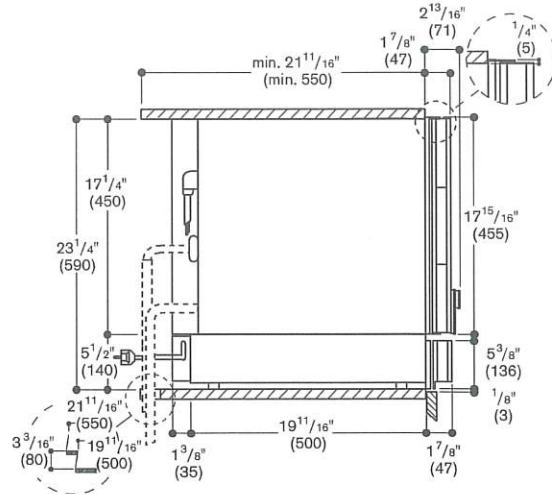
The electrical outlet can be planned behind the appliance.

#### Rating

Total rating: 810 W.  
Total Amps: 10 A.  
120 V / 60 Hz  
Connecting cable 59" with plug.



Side view of WS 461 below BS Combi-steam oven, BM Combi-microwave oven or CM espresso machine



**G 7966 SCVi**  
**24" Fully Integrated Dishwasher K2o**  
**Material# 11388390**

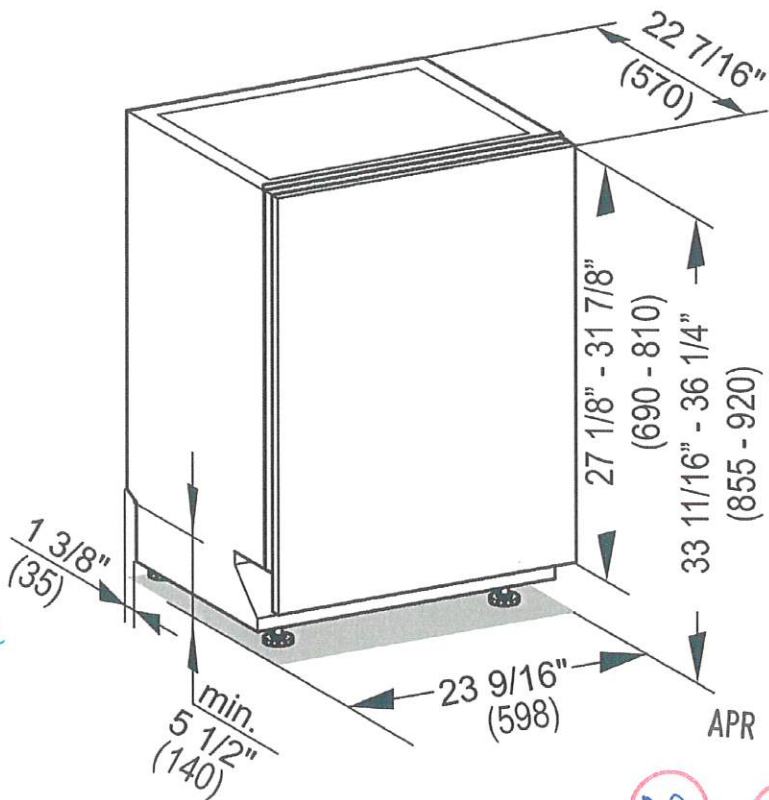
**Features:**

- AutoDos
- 3D MultiFlex Cutlery Tray
- QuickIntenseWash
- WifiConn@ct
- M Touch Vi Controls
- Panel-Ready
- Knock2Open
- Water Softener



SPECIFICATIONS	
Overall Unit Dimensions	23 <sup>9</sup> / <sub>16</sub> " (598 mm) W x 33 <sup>1</sup> / <sub>16</sub> " - 36 <sup>1</sup> / <sub>4</sub> " (855 - 920 mm) H x 22 <sup>7</sup> / <sub>16</sub> " (570 mm) D [Depth does not include door panel]
Niche	
Minimum Cabinet Niche Opening	23 <sup>5</sup> / <sub>8</sub> " (600 mm) W x 33 <sup>3</sup> / <sub>4</sub> " (857 mm) H x 22 <sup>7</sup> / <sub>16</sub> " (570 mm) D
Plumbing	
Water Supply Requirements	<ul style="list-style-type: none"> <li>• Cold or Hot (max 150°F/65°C) water connection</li> <li>• Male 3/8" compression fitting</li> <li>• Water pressure range 7.25 psi (0.5 bar) and 145 psi (10 bar)</li> </ul>
Water Connection Line (Supplied)	Length: 5 ft (1.5 m) Female 3/8" compression.
Drain Hose (Supplied)	Length: 5 ft (1.5 m) 7/8" (22 mm) internal diameter
Electrical	
Electrical Requirements	110V / 120V, 60Hz, 15 Amps
Power Cord (Convertible to hardwire)	NEMA 5-15 plug, 5 ft (1.52 m)
Shipping	
Shipping Weight	121 lbs (55 kg)
Shipping Dimensions	27 <sup>1</sup> / <sub>8</sub> " W x 38 <sup>1</sup> / <sub>8</sub> " H x 26 <sup>3</sup> / <sub>8</sub> " D

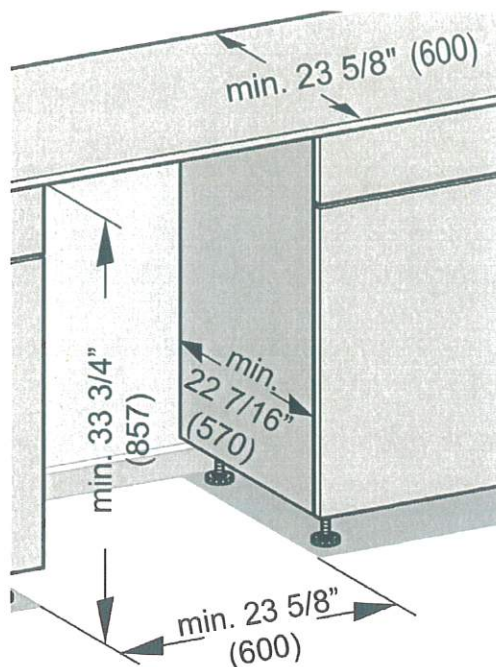
**Product Dimensions**



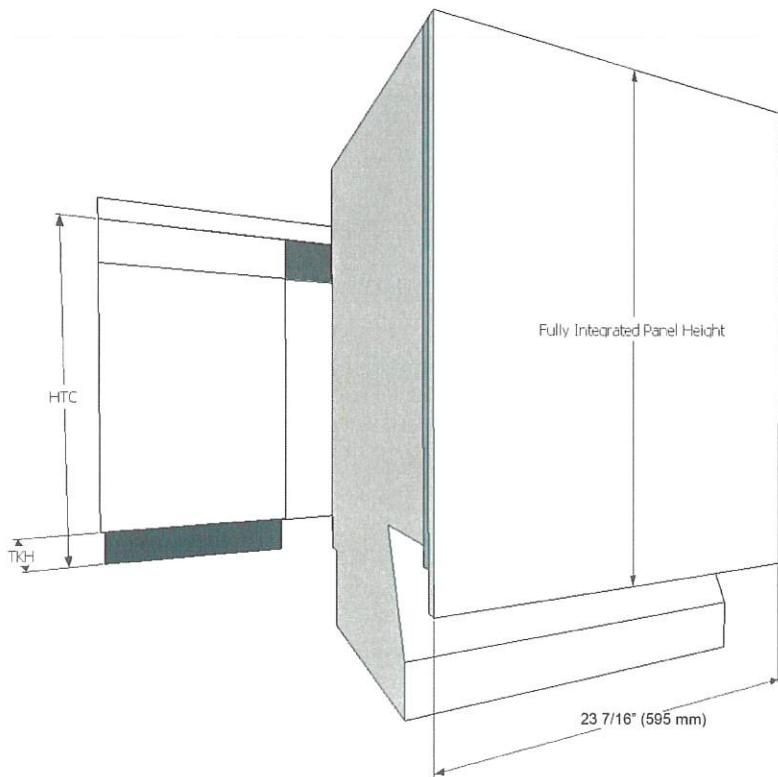
APR 18 2024

RD NP  
 PW 55

## Cutout Dimensions



## Custom Panel



**Width:** 23 7/16" (595 mm) in all Cases  
**Thickness:** 3/4" (19 mm) in all Cases  
**Height:** Determined using the following calculation:

$$\text{Panel Height} = \text{HTC} - \text{TKH}$$

**HTC** = Height to the underside of countertop  
**TKH** = Toe kick height

**Note:** Control panel is along the top edge of the unit. It is not visible when the unit is closed. A handle **MUST** be located on front of panel in order to open unit. (Except K2o models).

Maximum panel height: 31 7/8" (810 mm)

Minimum panel height: 27 1/8" (690 mm)

Maximum panel weight: 24 lbs (11 kg)

APR 18 2024

R.O. NP

8V2-55



KWT 2612 Vi

## MasterCool Wine Conditioning Unit

For high-end design and technology on a large scale.



- Push2open for convenient door-opening assistance
- Various wines at the perfect temperature – 3 temperature zones
- Flexible storage of large wine bottles thanks to FlexiFrame
- Light floods the interior thanks to LED elements – BrilliantLight
- Communication with the machine could not be easier – WiFi Conn@ct

EAN: 4002516322955 / material number: 11503610

<b>Appliance category</b>	
Wine storage unit	•
<b>Construction type</b>	
Built-in	•
Built-in integrated	•
Door hinge side	Left
Convertible hinging	•
Can be installed side-by-side	•
<b>Design</b>	
Lighting	BrilliantLight
<b>Control panel</b>	
DynaCool	•
SoftClose door closing damper	•
Push2open	•
MaxLoad hinge	•
FlexiFrame	•
Flexible wooden shelves FlexiFrame	13
Material of wooden racks	Beechwood
NoteBoard	•
<b>Control</b>	
No. of temperature zones	3
Sabbath mode	•
<b>Appliance networking</b>	
MobileControl	•
<b>Safety</b>	
Lock function	•
Acoustic door alarm	•
Optical door alarm	•
<b>Technical data</b>	
Appliance width in in.(mm)	23 3/4 (603)
Appliance height in in.(mm)	83 3/4 (2,127)
Appliance depth in in.(mm)	24 (608)
Weight in lbs.(kg)	328 (148)
Maximum fridge compartment door front weight in lbs. (kg)	161 (73)
Wine conditioning zone volume in l	379
Available space for the number of 0.75 l Bordeaux bottles	104
Current consumption in milliampere (mA)	4,000
Voltage in V	120
Fuse rating in A	10
Wire length in ft (m)	9 (3.0)

More information at [www.MieleUSA.com](http://www.MieleUSA.com)

For further information please see next page...

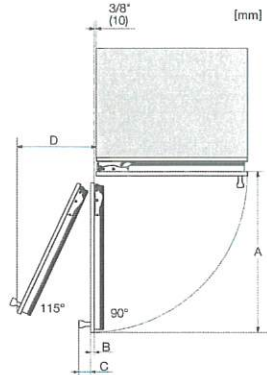
APR 18 2024

R.O. NP  
PV2-55

## KWT 2612 Vi

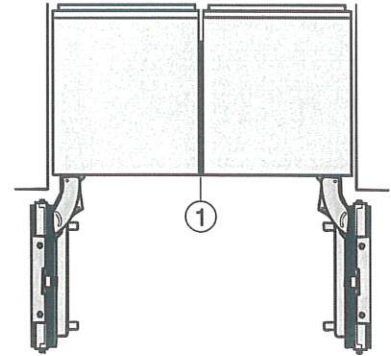
### MasterCool Wine Conditioning Unit

For high-end design and technology on a large scale.



Opening angle 90°/115°, right side stop, MasterCool (Sketch) with footnote

- A) Appliance door  
 F 2411 Vi, F 2411 SF, F 2471 Vi, F 2471 SF: 525 mm (20 2/3 inch);  
 F 2412 Vi, F 2412 SF, F 2472 Vi, F 2472 SF: 525 mm (20 2/3 inch);  
 K 2611 Vi, F 2671 Vi, F 2671 SF, KWT 2611 Vi, KWT 2611 SF, KWT 2671 ViS: 677 mm (26 2/3 inch);  
 K 2612 Vi, F 2672 Vi, F 2672 SF, KWT 2612 Vi, KWT 2612 SF, KWT 2672 ViS: 677 mm (26 2/3 inch);  
 K 2811 Vi, K 2811 SF, F 2811 SF, F 2811 Vi, KF 2811 Vi, KF 2811 SF: 829 mm (32 2/3 inch);  
 K 2812 Vi, K 2812 SF, F 2812 SF, F 2812 Vi, KF 2812 Vi, KF 2812 SF: 829 mm (32 2/3 inch);  
 K 2911 Vi, K 2911 SF, F 2911 Vi, F 2911 SF, KF 2911 Vi, KF 2911 SF: 982 mm (38 2/3 inch);  
 K 2912 Vi, K 2912 SF, F 2912 Vi, F 2912 SF, KF 2912 Vi, KF 2912 SF: 982 mm (38 2/3 inch);  
 B) Furniture front (max. 38 mm) (1 1/2 inch)  
 C) Door handle  
 D) Distance from the door to the wall (without furniture front and door handle):  
 F 2411 Vi, F 2411 SF, F 2471 Vi, F 2471 SF: 237 mm (9 1/3 inch);  
 F 2412 Vi, F 2412 SF, F 2472 Vi, F 2472 SF: 237 mm (9 1/3 inch);  
 K 2611 Vi, F 2671 Vi, F 2671 SF, KWT 2611 Vi, KWT 2611 SF, KWT 2671 ViS: 296 mm (11 2/3 inch);  
 K 2612 Vi, F 2672 Vi, F 2672 SF, KWT 2612 Vi, KWT 2612 SF, KWT 2672 ViS: 296 mm (11 2/3 inch);  
 K 2811 Vi, K 2811 SF, F 2811 SF, F 2811 Vi, KF 2811 Vi, KF 2811 SF: 363 mm (14 1/3 inch);  
 K 2812 Vi, K 2812 SF, F 2812 SF, F 2812 Vi, KF 2812 Vi, KF 2812 SF: 363 mm (14 1/3 inch);  
 K 2911 Vi, K 2911 SF, F 2911 Vi, F 2911 SF, KF 2911 Vi, KF 2911 SF: 428 mm (16 7/8 inch);  
 K 2912 Vi, K 2912 SF, F 2912 Vi, F 2912 SF, KF 2912 Vi, KF 2912 SF: 428 mm (16 7/8 inch);  
 E) ONLY valid for SF versions: A + 25 mm (1 inch)



Side-by-side, MasterCool, without partition wall, with heating mat (Sketch) with footnote

- 1) Heating mat KSK 2001 (EU, AUS, CN) or KSK 2002 (US, CA, MX, BR)

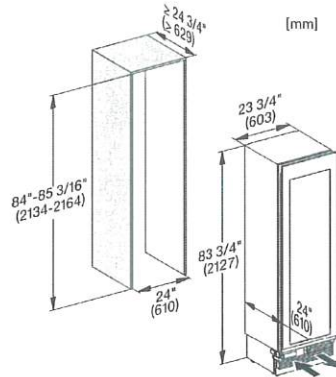
APR 18 2024

R.O. NP  
 PV2-55

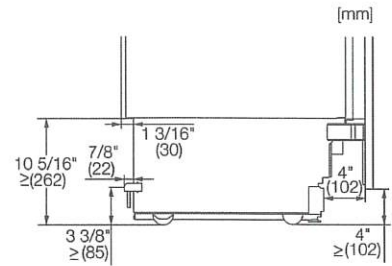


KWT 2612 Vi

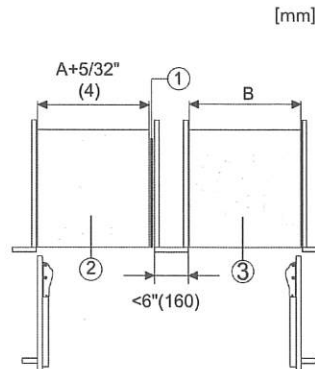
MasterCool Wine Conditioning Unit  
For high-end design and technology on a large scale.



KWT2611Vi, KWT2671ViS, KWT2601Vi, KWT2661ViS, installation, MasterCool, installation drawings

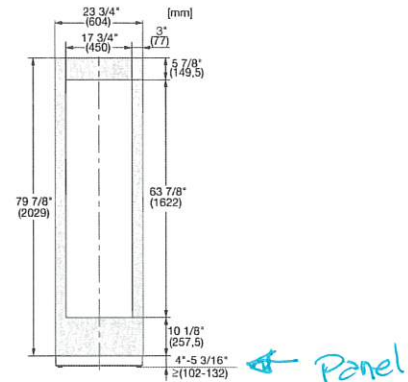


Sideview, MasterCool, Sketch

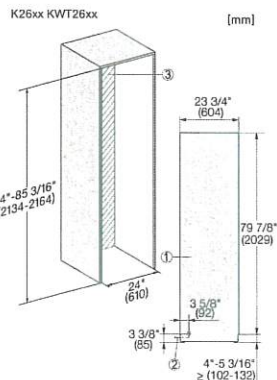


Side-by-Side, MasterCool, footnote, installation drawings

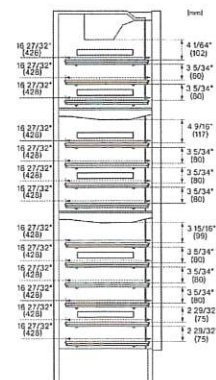
- 1. KSK 2001/2002
- 2. Device A
- 3. Device B
- A = niche device A
- B = niche device B



KFP2455ed/cs, KFP2454ed/cs, front panel, front dimensions, MasterCool, installation drawings



Installation, MasterCool, \*footnote, installation drawings



KWT2602Vi/SF, KWT2612Vi/SF, KWT2601Vi/SF, KWT2611Vi/SF, inner space, MasterCool, installation

APR 18 2024

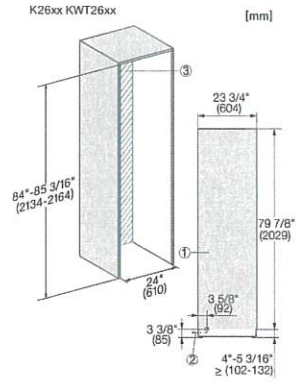
For further information please see next page...

R.O. MP  
PV255

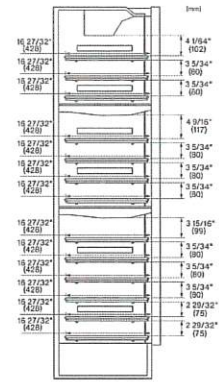


KWT 2612 Vi

MasterCool Wine Conditioning Unit  
For high-end design and technology on a large scale.



1. View from the front
2. Mains connection cable, L = 3000 mm (118 inch)
3. No water/ELT connections permitted in this area



drawings

APR 18 2024

R.O. MP  
PV2-55

K 2802 Vi

MasterCool™ refrigerator

For high-end design and technology on a large scale.



- Push2open for convenient door-opening assistance
- Food stays fresh for up to 3 x longer thanks to SmartFresh
- Light floods the interior thanks to LED elements – BrilliantLight
- Communication with the machine could not be easier – WiFi Conn@ct
- Convenient control thanks to color touch display MasterSensor

EAN: 4002516321583 / material number: 11502590

<b>Appliance category</b>	
Fridge	•
<b>Construction type</b>	
Built-in	•
Built-in integrated	•
Door hinge side	right
Convertible hinging	•
Can be installed side-by-side	•
<b>Design</b>	
Lighting	BrilliantLight
<b>Control panel</b>	
Freshness system	MasterFresh
ComfortClean	•
DynaCool	•
SoftClose door closing damper	•
SelfClose	•
Push2open	•
FullAccess	•
EasyClean	•
MaxLoad hinge	•
<b>Control</b>	
Electronic temperature display and control	MasterSensor
Super Cooling	•
No. of temperature zones	2
Sabbath mode	•
<b>Fridge / Fridge compartment</b>	
Height-adjustable toughened glass shelves	2
No. of removable fruit and vegetable drawers	1
No. of PerfectFresh drawers	2
SlidingShelf	•
Door rack for tins	1
Inner door racks for bottles	3
<b>Efficiency and sustainability</b>	
Energy Star Qualified	•
<b>Appliance networking</b>	
Miele@home	•
WiFiConn@ct	•
MobileControl	•
<b>Safety</b>	
Lock function	•
Overflow protection	•
Acoustic door alarm	•
Acoustic temperature alarm, freezer section	•
Optical door alarm	•
Optical temperature alarm	•

APR 18 2024

More information at [www.MieleUSA.com](http://www.MieleUSA.com)

For further information please see next page...

R.O. NP  
PV2-55

K 2802 Vi

MasterCool™ refrigerator

For high-end design and technology on a large scale.



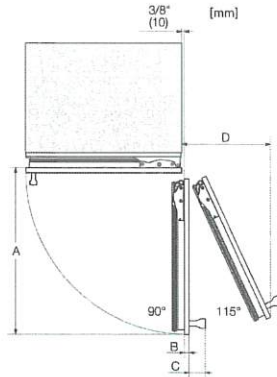
Technical data	
Appliance width in in.(mm)	29 7/8 (756)
Appliance height in in.(mm)	83 3/4 (2,127)
Appliance depth in in.(mm)	24 (608)
Weight in lbs.(kg)	358 (162.00)
Fridge compartment volume in l	475
Current consumption in milliampere (mA)	4,000
Voltage in V	120
Fuse rating in A	10
Wire length in ft (m)	11 (3.5)
Standard accessories	
Active AirClean filter	•

APR 18 2024

K 2802 Vi

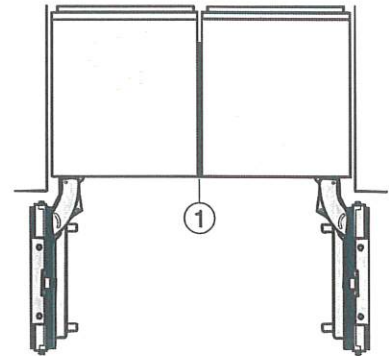
MasterCool™ refrigerator

For high-end design and technology on a large scale.



Opening angle 90°/115°, right side stop, MasterCool (Sketch) \*footnote

- A) Appliance door width
- F 2461 Vi: 525 mm (20 2/3 inch);
- F 2462 Vi: 525 mm (20 2/3 inch);
- K 2601 Vi, K 2601 SF, F 2661 Vi, KWT 2601 Vi, KWT 2601 SF, KWT 2661 ViS, KWT 2661 SFS: 677 mm (26 2/3 inch);
- K 2602 Vi, K 2602 SF, F 2662 Vi, KWT 2602 Vi, KWT 2602 SF, KWT 2662 ViS, KWT 2662 SFS: 677 mm (26 2/3 inch);
- K 2801 Vi, K 2801 SF, F 2801 Vi, KF 2801 Vi, KF 2801 SF: 829 mm (32 2/3 inch);
- K 2802 Vi, K 2802 SF, F 2802 Vi, KF 2802 Vi, KF 2802 SF: 829 mm (32 2/3 inch);
- K 2901 Vi, K 2901 SF, F 2901 Vi, KF 2901 Vi, KF 2901 SF: 982 mm (38 2/3 inch);
- K 2902 Vi, K 2902 SF, F 2902 Vi, KF 2902 Vi, KF 2902 SF: 982 mm (38 2/3 inch);
- B) Furniture front (max. 38 mm) (1 1/2 inch)
- C) Door handle
- D) Distance door to wall (without furniture front and door handle):
- F 2461 Vi: 237 mm (9 1/3 inch);
- F 2462 Vi: 237 mm (9 1/3 inch);
- K 2601 Vi, K 2601 SF, F 2661 Vi, KWT 2601 Vi, KWT 2601 SF, KWT 2661 ViS, KWT 2661 SFS: 296 mm (11 2/3 inch);
- K 2602 Vi, K 2602 SF, F 2662 Vi, KWT 2602 Vi, KWT 2602 SF, KWT 2662 ViS, KWT 2662 SFS: 296 mm (11 2/3 inch);
- K 2801 Vi, K 2801 SF, F 2801 Vi, KF 2801 Vi, KF 2801 SF: 363 mm (14 1/3 inch);
- K 2802 Vi, K 2802 SF, F 2802 Vi, KF 2802 Vi, KF 2802 SF: 363 mm (14 1/3 inch);
- K 2901 Vi, K 2901 SF, F 2901 Vi, KF 2901 Vi, KF 2901 SF: 428 mm (16 7/8 inch)
- K 2902 Vi, K 2902 SF, F 2902 Vi, KF 2902 Vi, KF 2902 SF: 428 mm (16 7/8 inch)
- E) ONLY valid for SF versions: A + 25 mm (1 inch)



Side-by-side, MasterCool, without partition wall, with heating mat (Sketch) (with footnote)

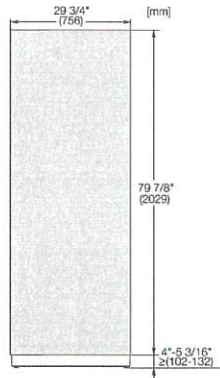
- 1) Heating mat KSK 2001 (EU, AUS, CN) or KSK 2002 (US, CA, MX, BR)

APR 18 2024

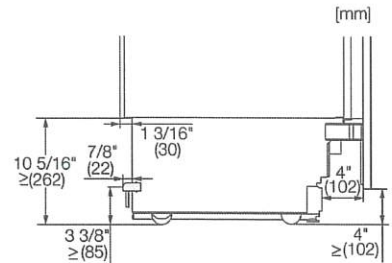
K 2802 Vi

MasterCool™ refrigerator

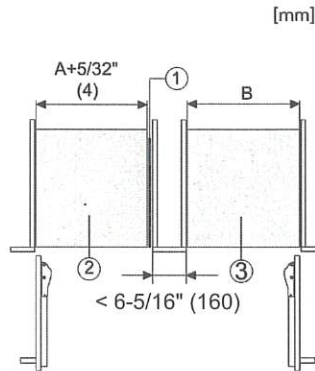
For high-end design and technology on a large scale.



KFP3005ed/cs, KFP3004ed/cs, Front panel, Front dimensions, MasterCool II, installation drawings

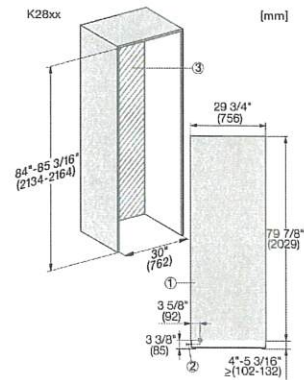


Sideview, MasterCool, Sketch



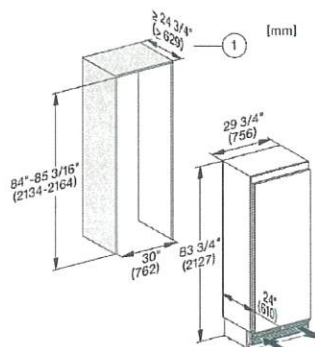
Side-by-Side, MasterCool, footnote, installation drawings

- 1. KSK 2001/2002
- 2. Device A
- 3. Device B
- A = niche device A
- B = niche device B



K2801Vi, K2811Vi, K2801SF, K2811SF, installation, MasterCool, footnote, installation drawings

- 1. View from the front
- 2. Mains connection cable, L = 3000 mm (118 inch)
- 3. No water/ELT connections permitted in this area



K2801Vi, K2811Vi, K2802Vi, K2812Vi, Inner space, MasterCool, installation drawings

- 1) Minimum 25" (635mm) for a 3/4" panel to be added to make the unit flush

APR 18 2024

RO HP  
PV2-55



F 2812 Vi

MasterCool™ freezer

For high-end design and technology on a large scale.

EAN: 4002516321897 / material number: 11503340



- Push2open for convenient door-opening assistance
- Light floods the interior thanks to LED elements – BrilliantLight
- Fresh ice cubes from the IceMaker with plumbed water connection
- Communication with the machine could not be easier – WiFi Conn@ct
- Convenient control thanks to color touch display MasterSensor

<b>Appliance category</b>	
Freezer	•
<b>Construction type</b>	
Built-in	•
Built-in integrated	•
Door hinge side	Left
Convertible hinging	•
Can be installed side-by-side	•
<b>Design</b>	
Lighting	BrilliantLight
<b>Control panel</b>	
NoFrost	•
NoFrost	•
SoftClose door closing damper	•
IceMaker with plumbed water connection	•
Push2open	•
FullAccess	•
EasyClean	•
MaxLoad hinge	•
<b>Control</b>	
Electronic temperature display and control	MasterSensor
SuperFrost	•
No. of temperature zones	1
Sabbath mode	•
<b>Fridge / Fridge compartment</b>	
Door baskets – small	1
Door baskets – large	3
<b>Freezer / Freezer compartment</b>	
Number of shelves	2
Number of freezer baskets	2
<b>Efficiency and sustainability</b>	
Energy Star Qualified	•
<b>Appliance networking</b>	
Miele@home	•
WiFiConn@ct	•
MobileControl	•
<b>Safety</b>	
Lock function	•
Acoustic door alarm	•
Acoustic temperature alarm, freezer section	•
Optical door alarm	•
Optical temperature alarm	•

APR 18 2024

More information at [www.MieleUSA.com](http://www.MieleUSA.com)

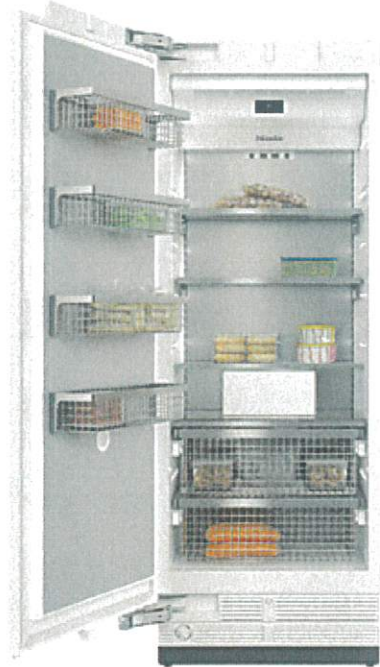
For further information please see next page...

R.O. MP  
PV2-56

F 2812 Vi

MasterCool™ freezer

For high-end design and technology on a large scale.



Technical data	
Appliance width in in.(mm)	29 7/8 (756)
Appliance height in in.(mm)	83 3/4 (2,127)
Appliance depth in in.(mm)	24 (608)
Weight in lbs.(kg)	359 (162.60)
Maximum fridge compartment door front weight in lbs. (kg)	62 (28)
4-star freezer compartment volume in l	446
Current consumption in milliampere (mA)	4,000
Voltage in V	120
Fuse rating in A	10
Wire length in ft (m)	9 (3.0)

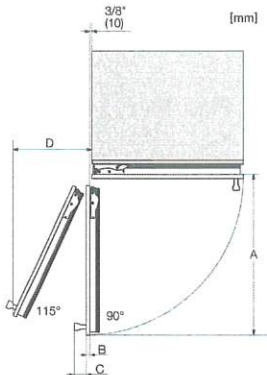
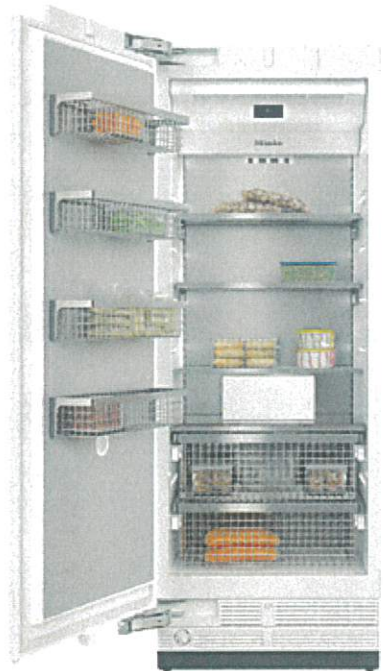
APR 18 2024

R.O. NP  
P/2-55

F 2812 Vi

MasterCool™ freezer

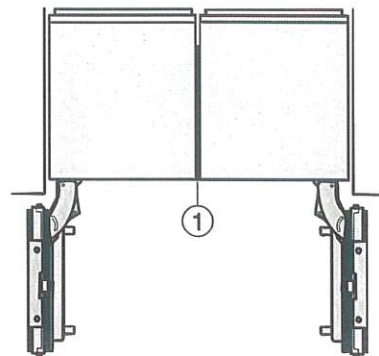
For high-end design and technology on a large scale.



Opening angle 90°/115°, right side stop, MasterCool (Sketch) with footnote

A) Appliance door

F 2411 Vi, F 2411 SF, F 2471 Vi, F 2471 SF: 525 mm (20 2/3 inch);  
 F 2412 Vi, F 2412 SF, F 2472 Vi, F 2472 SF: 525 mm (20 2/3 inch);  
 K 2611 Vi, F 2671 Vi, F 2671 SF, KWT 2611 Vi, KWT 2611 SF, KWT 2671 ViS: 677 mm (26 2/3 inch);  
 K 2612 Vi, F 2672 Vi, F 2672 SF, KWT 2612 Vi, KWT 2612 SF, KWT 2672 ViS: 677 mm (26 2/3 inch);  
 K 2811 Vi, K 2811 SF, F 2811 SF, F 2811 Vi, KF 2811 Vi, KF 2811 SF: 829 mm (32 2/3 inch);  
 K 2812 Vi, K 2812 SF, F 2812 SF, F 2812 Vi, KF 2812 Vi, KF 2812 SF: 829 mm (32 2/3 inch);  
 K 2911 Vi, K 2911 SF, F 2911 Vi, F 2911 SF, KF 2911 Vi, KF 2911 SF: 982 mm (38 2/3 inch);  
 K 2912 Vi, K 2912 SF, F 2912 Vi, F 2912 SF, KF 2912 Vi, KF 2912 SF: 982 mm (38 2/3 inch);  
 B) Furniture front (max. 35 mm) (1 1/2 inch)  
 C) Door handle  
 D) Distance from the door to the wall (without furniture front and door handle):  
 F 2411 Vi, F 2411 SF, F 2471 Vi, F 2471 SF: 237 mm (9 1/3 inch);  
 F 2412 Vi, F 2412 SF, F 2472 Vi, F 2472 SF: 237 mm (9 1/3 inch);  
 K 2611 Vi, F 2671 Vi, F 2671 SF, KWT 2611 Vi, KWT 2611 SF, KWT 2671 ViS: 296 mm (11 2/3 inch);  
 K 2612 Vi, F 2672 Vi, F 2672 SF, KWT 2612 Vi, KWT 2612 SF, KWT 2672 ViS: 296 mm (11 2/3 inch);  
 K 2811 Vi, K 2811 SF, F 2811 SF, F 2811 Vi, KF 2811 Vi, KF 2811 SF: 363 mm (14 1/3 inch);  
 K 2812 Vi, K 2812 SF, F 2812 SF, F 2812 Vi, KF 2812 Vi, KF 2812 SF: 363 mm (14 1/3 inch);  
 K 2911 Vi, K 2911 SF, F 2911 Vi, F 2911 SF, KF 2911 Vi, KF 2911 SF: 428 mm (16 7/8 inch);  
 K 2912 Vi, K 2912 SF, F 2912 Vi, F 2912 SF, KF 2912 Vi, KF 2912 SF: 428 mm (16 7/8 inch);  
 E) ONLY valid for SF versions: A + 25 mm (1 inch)



Side-by-side, MasterCool, without partition wall, with heating mat (Sketch) with footnote

1) Heating mat KSK 2001 (EU, AUS, CN) or KSK 2002 (US, CA, MX, BR)

APR 18 2024

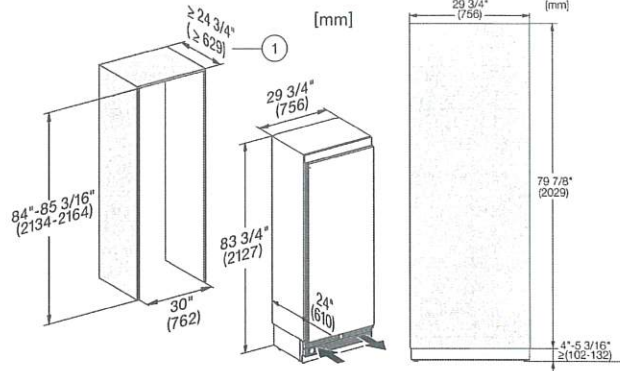
R.O. NP  
 PV2-55



F 2812 Vi

MasterCool™ freezer

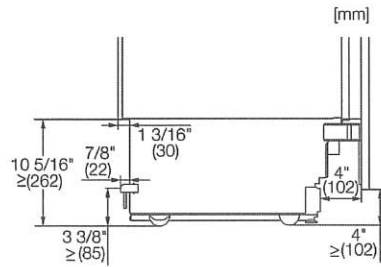
For high-end design and technology on a large scale.



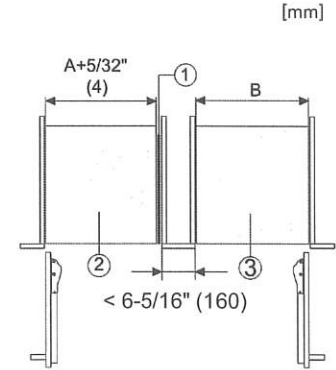
F2812Vi, F2802Vi, F2811Vi, F2801Vi, MasterCool, inner space, installation drawings

KFP3005ed/cs, KFP3004ed/cs, Front panel, Front dimensions, MasterCool II, installation drawings

1) Minimum 25" (635mm) for a 3/4" panel to be added to make the unit flush

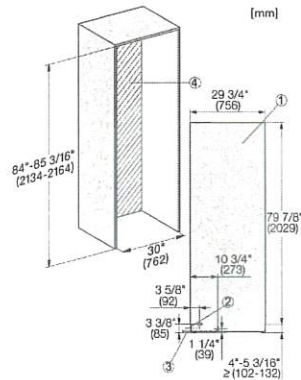


Sideview, MasterCool, Sketch



Side-by-Side, MasterCool, footnote, installation drawings

- 1. KSK 2001/2002
- 2. Device A
- 3. Device B
- A = niche device A
- B = niche device B



F2802Vi, F2812Vi, F2812SF, F2801Vi, F2811Vi, F2811SF, installation, MasterCool, installation drawings

APR 18 2024

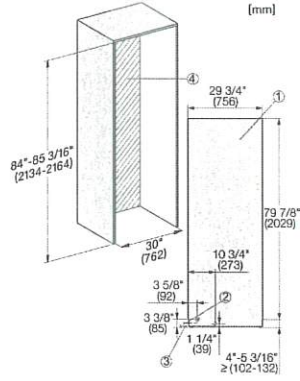
R.O. MP  
PV2-55

For further information please see next page...

F 2812 Vi

MasterCool™ freezer

For high-end design and technology on a large scale.



1. View from the front
2. Mains Connection cable, L = 3000 mm (118 inch)
3. Water inlet position, L = 2000 mm (not for KON USA)
4. No water/ELT connections permitted in this area

APR 18 2024

RO MP  
PV2-55