



**CONSTRUCTION SUMMARY**

**Lot: 33**

**Model: 40.02 B VALLEYVIEW**

**Project/Phase: Pine Valley Forevergreen / 1**

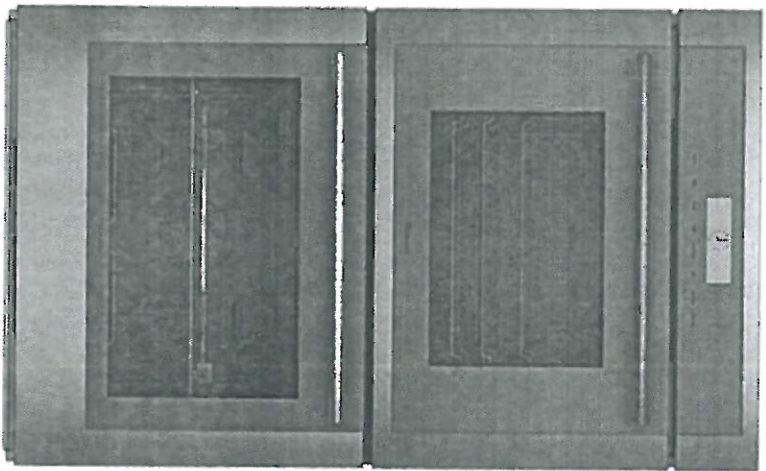
**APPLIANCES**

Invoice	Qty.	Description
2663 25Mar21 NoCat	1	APPLIANCE SPECIFICATIONS ATTACHED - SIGNED COPY

**MEDS302WS**  
**30-INCH DOUBLE COMBINATION BUILT-IN OVEN**  
**WITH STEAM CONVECTION**  
 MASTERPIECE® SERIES

*AMERICA - March 16/21*

*PV-33*



**FEATURES & BENEFITS**

- Specially crafted gray glass on stainless steel for a luxurious look and finish
- Designed for flexibility—standard or flush installation into kitchen cabinets
- Steam and Convection Cooking provides unrivaled taste and quality—food stays moist on the inside and is perfect on the outside
- Steam and Convection Oven offers passionate cooks more cooking solutions - Broil, Steam, True Convection, Steam and Convection
- Large commercial style rotisserie with 12 pound capacity

**ACCESSORIES (INCLUDED)**

Upper Cavity: 3 Telescopic Racks, Multi-point Meat Probe, Broil Pan, 1 Large Pan, 1 Small Pan, 1 Small Perforated Pan; Lower Cavity: 3 Telescopic Racks, Multi-point Meat Probe, Max Broil Pan, Rotisserie

**WARRANTY**

Limited Warranty Parts and Labor 2 Year

**GENERAL PROPERTIES**

<b>Heating Modes – Upper Cavity</b>	
(17) Bake, Broil, Roast, Convection Bake, Convection Broil, Convection Roast, Steam Convection, Defrost, Proof, Warm, Pizza, True Convection, Dehydrate, Speed Convection, Slow Roast, Steam, Reheat, Steam Auto Programs	
<b>Heating Modes – Lower Cavity</b>	
(16) Bake, Broil, Max Broil, Roast, Convection Bake, Convection Broil, Max Convection Broil, Convection Roast, Proof, Warm, Pizza, True Convection, Dehydrate, Speed Convection, Slow Roast, Rotisserie	
<b>Sabbath</b>	Yes
<b>Cleaning Type</b>	Upper Cavity: Easy Clean, EcoLytic Clean Lower Cavity: Easy Clean and Self Clean
<b>Telescopic Rack(s)</b>	6
<b>Illumination Type</b>	Upper Cavity: LED Lower Cavity: Halogen
<b>Interior Lights</b>	3 – 1 Top, 2-Sides 2 – Sides with 2 Bulbs Each
<b>Home Connect (Wi-Fi Enabled)</b>	Yes, Upper & Lower
<b>OVEN PERFORMANCE</b>	
<b>Bake / Broil Element</b>	Upper Cavity: 1,420 W / 3,050 W Lower Cavity: 2,400 / 1,000 / 3,800 W
<b>Convection Element</b>	Upper Cavity: 2,300 W Lower Cavity: 2,000 W

**TECHNICAL DETAILS**

<b>Watts</b>	9,200 W
<b>Circuit Breaker</b>	40 A
<b>Volts; Frequency</b>	240 / 208 V; 60 Hz
<b>Plug Type</b>	Fixed Connection, No Plug
<b>Conduit</b>	60" 4-Wire
<b>Energy Source</b>	Electric

**DIMENSIONS & WEIGHT**

<b>Overall Appliance Dimensions (HxWxD)</b>	48 7/8" x 29 3/4" x 24 1/2"
<b>Trim Overlaps (Top – Sides – Bottom)</b>	3/8" to 1 5/16" – 9/16" – 0"
<b>Required Cutout Size (HxWxD) – Standard</b>	47 3/8" - 48 1/8" x 28 1/2" x 23 1/2"
<b>Required Cutout Size (HxWxD) – Flush</b>	49" x 30" x 24 1/2"
<b>Steam Convection Oven Capacity</b>	2.8 cu. ft.
<b>Oven Capacity</b>	4.5 cu. ft.
<b>Overall Oven Interior Dimensions (HxWxD)</b>	Upper Cavity: 14 1/2" x 18 7/8" x 17 3/8" Lower Cavity: 17 3/4" x 24" x 17 7/8"
<b>Usable Oven Interior Dimensions (HxWxD)</b>	Upper Cavity: 11 1/2" x 15 1/2" x 15 5/8" Lower Cavity: 13 1/2" x 21 5/8" x 16 1/4"
<b>Net Weight</b>	333 lbs



PV-33

March 16/21



# MEDS302WS 30-INCH DOUBLE COMBINATION BUILT-IN OVEN WITH STEAM CONVECTION

MASTERPIECE® SERIES

## 30-INCH DOUBLE COMBINATION OVEN

**Combination Oven with Steam and Convection Oven  
Wall Mount Installation**

measurements in inches (mm)

**Door Handle Depth\*  
Masterpiece Series Handle**

2 3/8" (61 mm)

\*Protrusion of handle from door skin

**Combination Oven with Steam and Convection Oven  
Wall Mount Installation**

measurements in inches (mm)

\* Junction box may be installed above, beneath, right or left of the unit within reach of the power cord.

**Combination Oven with Steam and Convection Oven  
Flush Mount Installation**

**Top View Bottom Hinge Door**

measurements in inches (mm)

**Side View-Combination Oven with Steam and Convection Oven**

measurements in inches (mm)

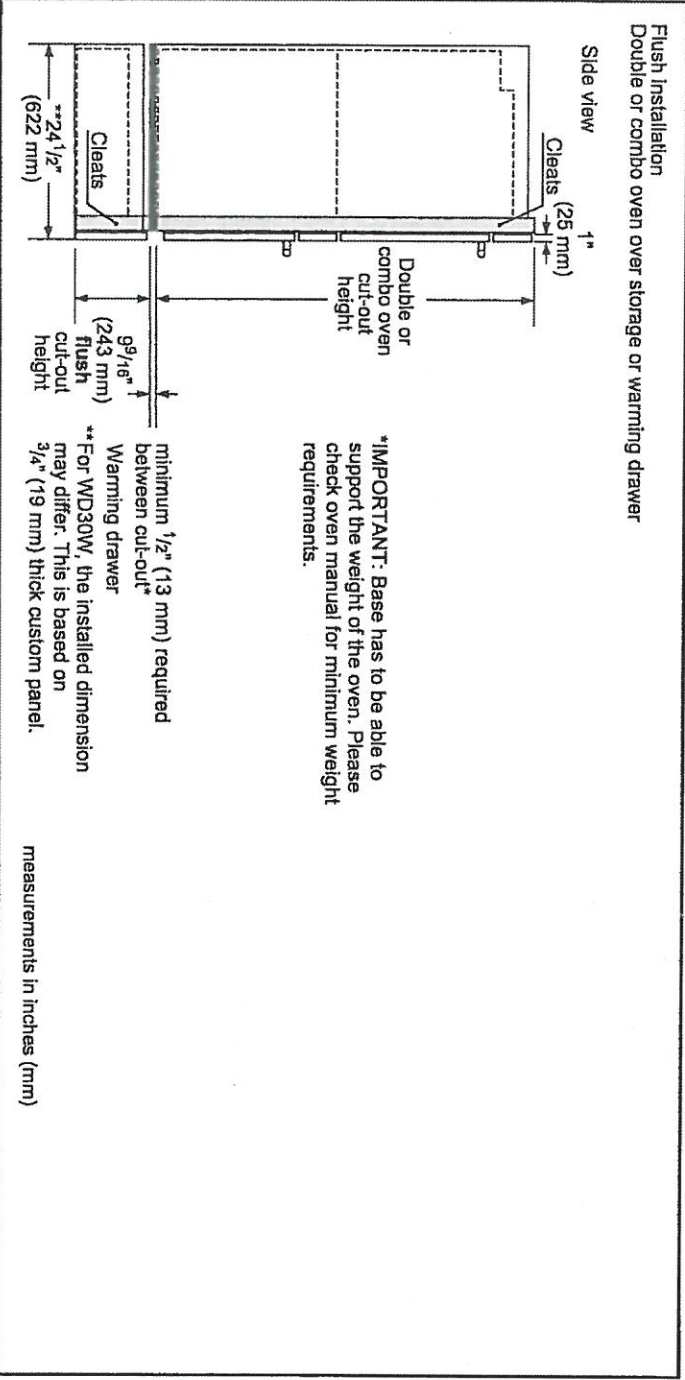
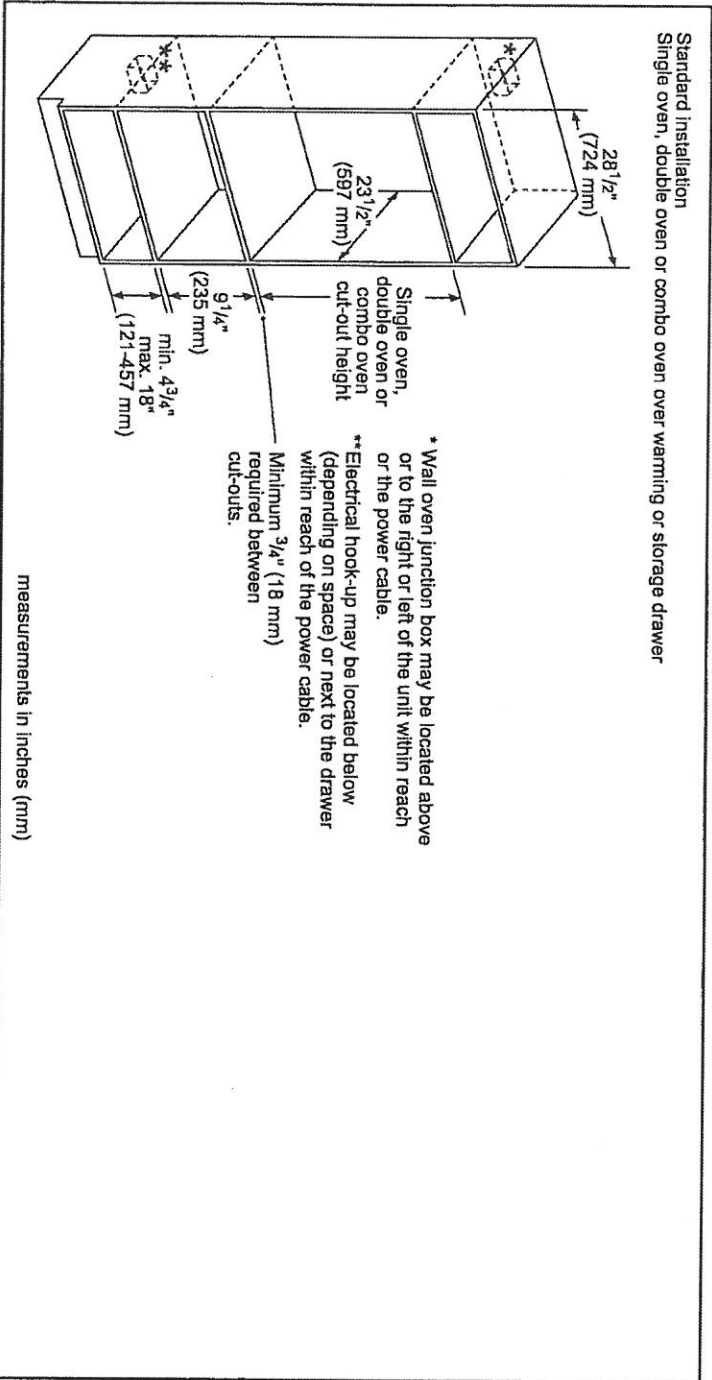
PV-33  
 Mar 16/21

# MEDS302WS 30-INCH DOUBLE CONVECTION BUILT-IN OVEN WITH STEAM CONVECTION

MASTERPIECE® SERIES



## INSTALLATION DETAILS



These warranties give you specific legal rights and you may have other rights that vary from state to state. Full warranty and limited warranty from date of installation. For complete warranty details, refer to your Use & Care manual, or ask your dealer.

Specifications are for planning purposes only. Refer to installation instructions and consult your countertop supplier prior to making counter opening. Consult with a heating and ventilation engineer for your specific ventilation requirements. For the most detailed information, refer to installation instructions accompanying product or write to Thermador indicating the model number. Specifications are correct at time of printing. Thermador reserves the right to change product specifications or design without notice. Some models are certified for use in Canada. Thermador is not responsible for products that are transported from the U.S. for use in Canada.

1 800 735 4328 | USA THERMADOR.COM | CANADA.THERMADOR.CA | ©2020 BSH HOME APPLIANCES CORPORATION. ALL RIGHTS RESERVED.

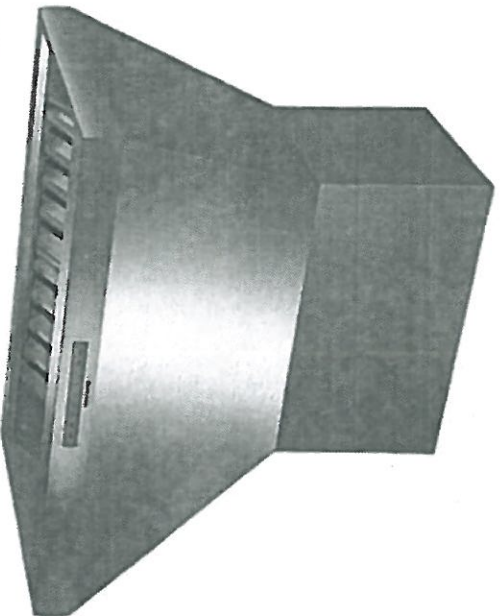
# HPCN36WS

## 36-INCH CHIMNEY WALL HOOD

PROFESSIONAL® SERIES

*SA/CD* March 16/24  
**Thermador** 

PV-33



### FEATURES & BENEFITS

- Professional® Series chimney wall hoods create a crafted, sculpted focal point
- Designed to complete the ultimate cooking system with Thermador ranges
- Powerfully Quiet® system accepts integral, inline, and remote blowers
- Dishwasher-safe stainless steel, commercial-style baffle filters
- Beautiful illumination with multi-level, vivid LED lights

### ACCESSORIES (OPTIONAL)

- 25 ft. Blower Connector Cable - EXTNCB25W
- For use with the following inline and remote blowers: VTR630W, VTR1030W, VTR1330W, VT1610W, VT11010W
- Roofplates
- RFP1600P - For use with 600 CFM remote blower VTR630W
- RFP17000P - For use with 1000 CFM remote blower VTR1030W and 1300 CFM blower VTR1330W

6" Tall Duct Cover, 36" Wide	CHMHP366W
18" - 35" Tall Duct Cover, 36" Wide	CHMHP36TW
42" - 59" Tall Duct Cover, 36" Wide	CHMHP36XTW

- Remote Control Panel
- REMGCPW - Ability to vertically install on cabinetry or wall to control hood in a convenient location



### GENERAL PROPERTIES

#### Features

Multi-Level LED Lights with Fading Transitions, Automatic Mode, Check Filter Reminder Light, Delay Shut-Off

Operating Mode	Ducted
Maximum CFM	Blower Sold Separately
Number of Speed Settings	4-Stage
Motor Location	Integral / Inline/ Remote
Number of Lights	2
Bulb Type	LED
Total Power of the Lamps (W)	2.4 W
Damper Included	Yes
Grease Filter Material	Washable Stainless Steel
Grease Filter Type	Stainless-Steel Commercial Style Baffle Filter
Home Connect™ (Wi-Fi Enabled)	No

### TECHNICAL DETAILS

Watts (W)	See Chart on Page 3
Current (A)	See Chart on Page 3
Volts (V)	120 V
Frequency (Hz)	60 Hz
Plug Type	Fixed Connection, No Plug

### DIMENSIONS & WEIGHT

Overall Appliance Dimensions (Width of Canopy Included) (HxWxD) (in)	18" x 35 15/16" x 24"
Height of the Chimney (in)	Duct Covers Sold Separately
Minimum Required Distance Above Gas / Electric Cooking Surface	30" / 30"
Diameter of Air Duct (in) Top	10"
Net Weight (lbs)	70 lbs

### BLOWER OPTIONS

Remote Blower (Mounted to Roof or External Wall)	VTR630W - 600 CFM
	VTR1030W - 1000 CFM
	VTR1330W - 1300 CFM
	VT1610W - 600 CFM
Inline Blower (Mounted Between Kitchen and External Wall)	VT11010W - 1000 CFM
	VTN630W - 600 CFM
Integrated Blower (Mounted in Hood)	VTN1090R - 1000 CFM

### WARRANTY

Limited Warranty Parts and Labor	2 Year
----------------------------------	--------

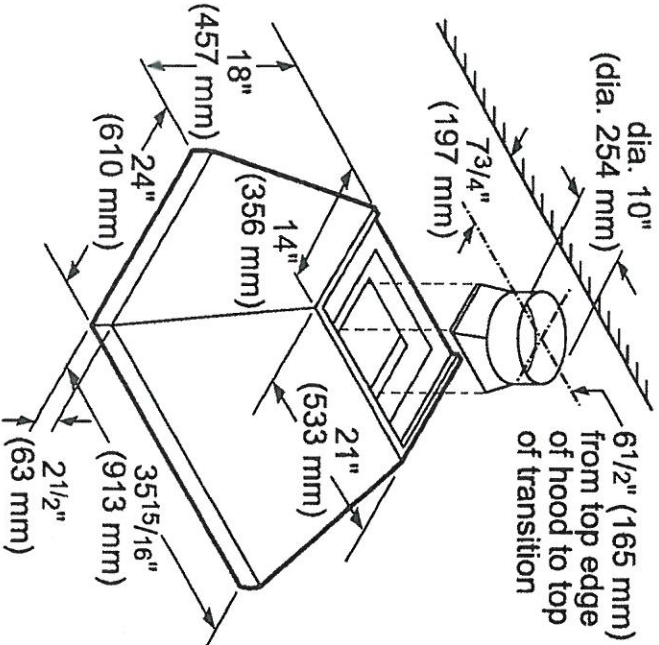


PV-33  
Mar 16/21

# HPCN36WS 36-INCH CHIMNEY WALL HOOD PROFESSIONAL® SERIES

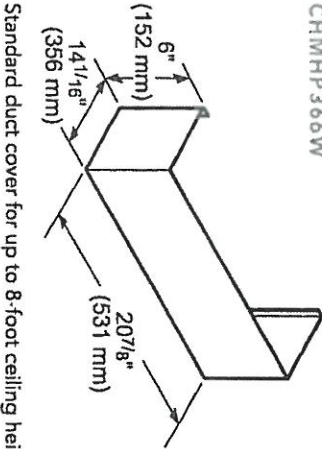


## HOOD DIMENSIONS

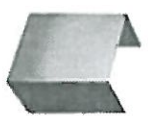


## OPTIONAL ACCESSORIES

6" TALL DUCT COVER  
CHMHP366W

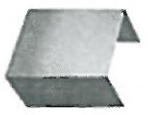


Standard duct cover for up to 8-foot ceiling heights



18" - 35" TALL  
TELESCOPING  
DUCT COVER  
CHMHP36TW

Telescoping design for extension up to 9-foot to 10-foot ceiling heights



42" - 59" TALL  
TELESCOPING  
DUCT COVER  
CHMHP36XTW

Telescoping design for extension up to 11-foot to 12-foot ceiling heights

REMOTE CONTROL PANEL  
REMCPW

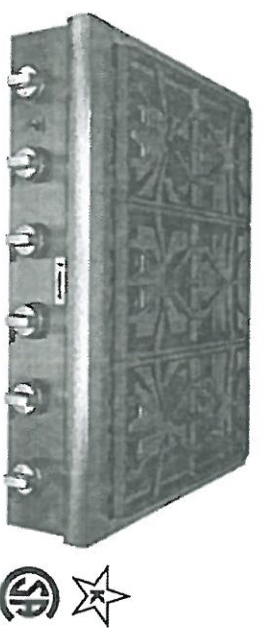


Convenience at your fingertips: The remote control accessory offers the freedom to extend your hood controls to a more reachable spot

PV-33

8/16/16 March 16/12

**PCG3666W**  
**36-INCH GAS RANGETOP**  
 PROFESSIONAL SERIES, PORCELAIN COOKTOP SURFACE



**FEATURES & BENEFITS**

- ★ Patented Pedestal Star® Burner with QuickClean Base® designed for easy surface cleaning and superior heat spread for any size pan
- ★ Precision simmering capabilities as low as 100°F (375 BTU) with 2 Extralow® Simmer burners
- ★ LED Downlighting—hidden discreetly above the control panel provides functional and stylish illumination

GENERAL PROPERTIES	
Controls	Metal Knobs
Sealed Burners	Yes
Grate Material	Cast Iron
BURNER PERFORMANCE	
Total Number of Cooktop Burners	6
Power of Front Left Burner (NG)	18,000 and XLO (NG)
Power of Back Left Burner (NG)	15,000 and XLO (NG)
Power of Back Center Burner (NG)	15,000 (NG)
Power of Front Center Burner (NG)	18,000 (NG)
Power of Center 12" Electric Griddle (W)	N/A
Power of Center 12" Electric Grill (W)	N/A
Power of Back Right Burner (NG)	15,000 (NG)
Power of Front Right Burner (NG)	18,000 (NG)
TECHNICAL DETAILS	
Circuit Breaker (A)	15 A
Volts (V)	120 V
Frequency (Hz)	60 Hz
Plug Type / Receptacle	120V-3 Prong NEMA 5-15
Power Cord Length (in)	65"
Energy Source	Gas
Gas Type	Natural Gas 6" Water Column (14.9 mb) Min. (USA) LP (USA)
Alternative Gas Type	LP 11" Water Column (27.4 mb) Min. (USA)
Convertible To LP (Kit Required)	Yes
DIMENSIONS & WEIGHT	
Overall Appliance Dimensions (HxWxD) (in)	8 1/8" x 35 15/16" x 25 13/16"
Required Cutout Size (HxWxD) (in)	7 11/16" x 35 1/8" x 22 13/16"
Minimum Distance From Rear Wall (in)	6" Min. to Combustible Surface
Net Weight (lbs)	142 lbs
WARRANTY	
Limited Warranty, Entire Appliance, Parts and Labor	2 Year

★ THERMADOR® EXCLUSIVE

PV-33  
 Mar 16/21

# PCG3666W 36-INCH GAS RANGETOP

PROFESSIONAL SERIES, PORCELAIN COOKTOP SURFACE

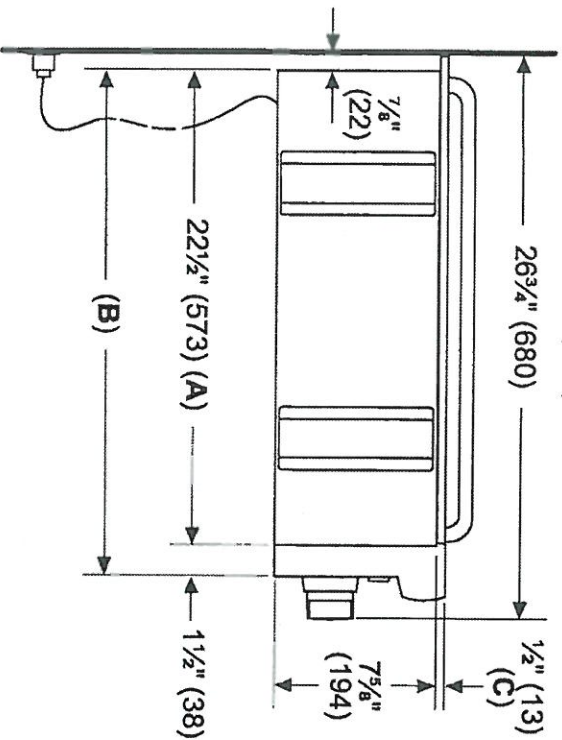


## ACCESSORIES (OPTIONAL)

- |  |  |  |   |  |  |
|--|--|--|---|--|--|
|  | <b>PAGRIDDL</b><br>Griddle Sits on Top of Grates Over 2 Star Burners |  | <b>PA12CHPBLK</b><br>12" Cutting Board      |  | <b>PWOKRINGHC</b><br>Wok Ring  |
|  | <b>PA36WLBC</b><br>10" Low Backguard                                 |  | <b>PAKNOBLUWR</b><br>Metallic Blue Knob Kit |  | <b>PALPKITHW</b><br>LP Conversion Kit, Pro Rangetops (4 & 6 Burners) |

### 36" RANGETOP SIDE VIEW

measurements in inches (mm)



- A:** Cabinet face for installation with projecting control panel.
- B:** Cabinet face for installation with flush control panel.
- C:** Side flange





PV-33  
Mar 16/21

# PCG366W

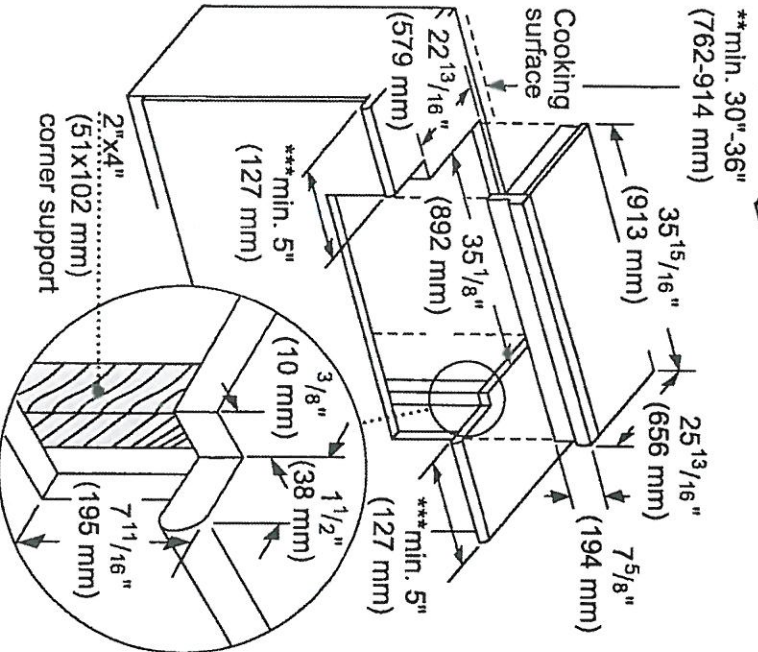
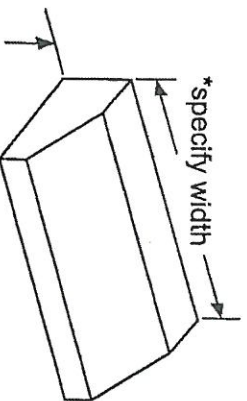
## 36-INCH GAS RANGETOP

PROFESSIONAL SERIES, PORCELAIN COOKTOP SURFACE



### 36-INCH RANGETOP CUTOUT DIMENSIONS

\* Minimum recommended hood width equals that of the range or cooktop.



\*\* 36" minimum clearance from cooking surface to combustible surfaces.

\*\*\* 5" minimum clearance from cooking surface to combustible side wall.

Note: Most hoods contain combustible components that must be considered when planning the installation.

measurements in inches (mm)

PV-33  
Mar. 16/21

# PCG366W

## 36-INCH GAS RANGETOP

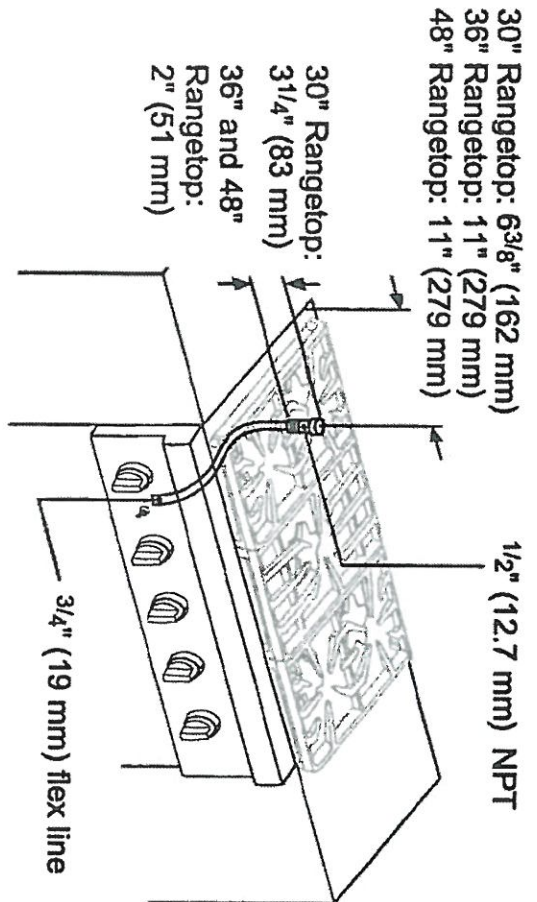
PROFESSIONAL SERIES, PORCELAIN COOKTOP SURFACE



### 3.6-INCH RANGETOP GAS LOCATION

The gas and electrical supply must be located in an area that is accessible without requiring removal of the rangetop. The appliance electrical power cord and gas pipe connection are located on the left rear underside of the rangetop.

The junction box must be located within 3 feet (~900 mm) of the rangetop connection.



A manual valve must be installed to the appliance, in an accessible location from the front, for the purpose of shutting off the gas supply.

measurements in inches (mm)

### NATURAL GAS REQUIREMENTS:

- Inlet Connection: 1/2" NPT (min. 3/4" dia. flex line)
- Supply Pressure: 6" min. to 14" max. water column (14.9 mb to 34.9 mb)
- Manifold Pressure: 5" water column (12.5 mb)



### PROPANE GAS REQUIREMENTS:

- Inlet Connection: 1/2" NPT (min. 3/4" dia. flex line)
- Supply Pressure: 11" min. to 14" max. water column (27.4 mb to 34.9 mb)
- Manifold Pressure: 10" water column (24.9 mb)

### ELECTRICAL SUPPLY

**IMPORTANT:** The cord supplied with all-burner gas rangetops requires a NEMA 5-15 receptacle as shown here. Local codes may require a different wiring method.

**WARNING:** This appliance is equipped with a three-prong grounding plug for protection against shock hazard and should be plugged directly into a properly grounded receptacle. DO NOT cut or remove the grounding prong from this plug. DO NOT ALTER THIS PLUG.



PV-33  
Mar. 16/21

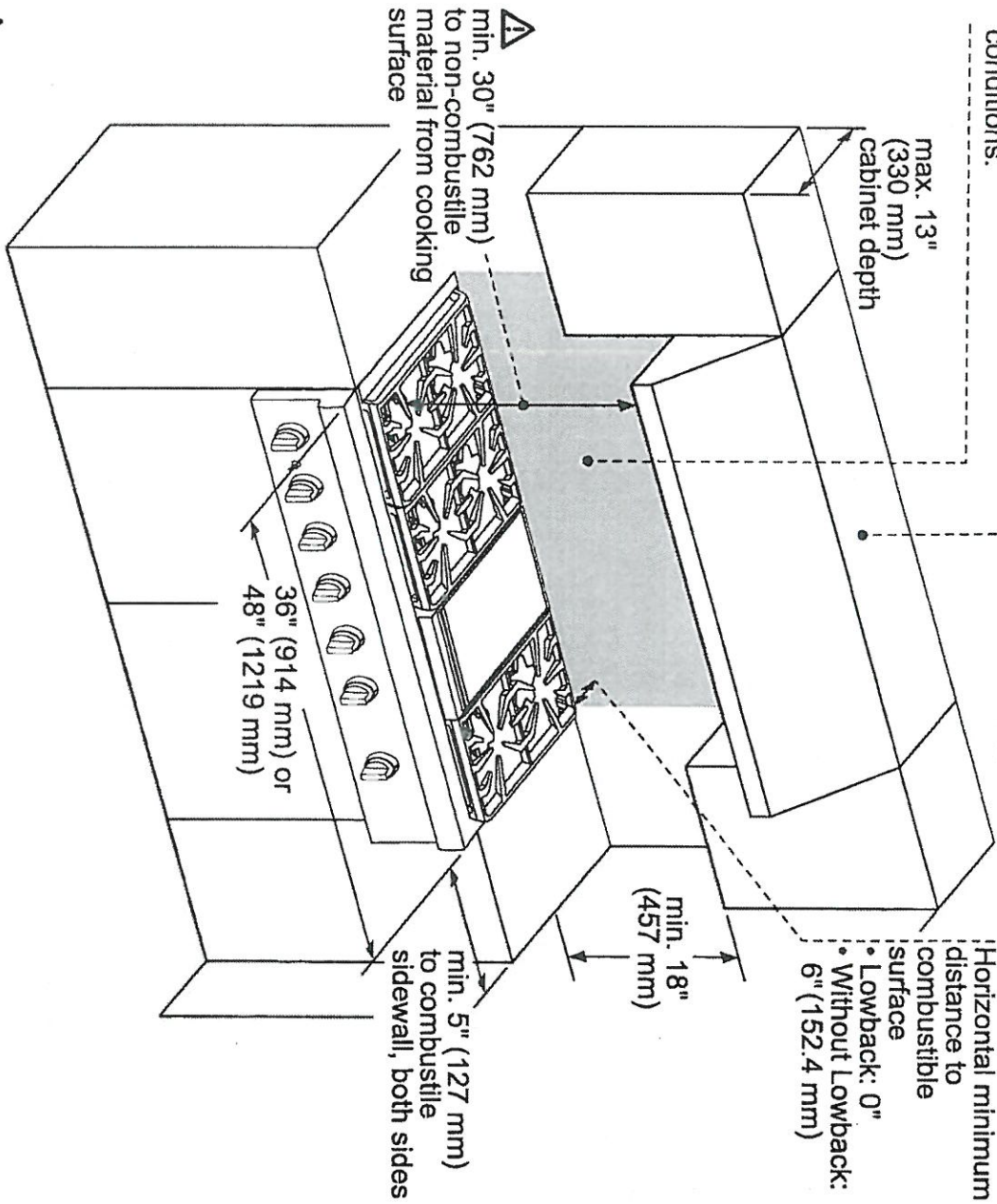
# PCG366W 36-INCH GAS RANGETOP PROFESSIONAL SERIES, PORCELAIN COOKTOP SURFACE



## 36-INCH RANGETOP CLEARANCES

The shaded area behind the rangetop indicates an opportunity to discolor the back wall under certain cooking conditions.

See the Ventilation Planning Guide for recommended hood options



⚠ As defined in the "National Fuel Gas Code" (ANSI Z223.1, Current Edition). Clearances from non-combustible materials are not part of the ANSI Z21.1 scope and are not certified by CSA. Clearances must be approved by the local codes and/or by the local authority having jurisdiction.  
measurements in inches (mm)

**NOTE:** A 36-inch minimum clearance is required between the top of the cooking surface and the bottom of an unprotected cabinet. A 30-inch clearance can be used when the bottom of the wood or metal cabinet is protected by not less than 1/4 inch of a flame retardant material covered with not less than No. 28 MSG sheet steel, 0.015 inch (0.4 mm) thick stainless steel, 0.024 inch (0.6 mm) aluminum, or 0.020 inch (0.5 mm) thick copper.

These warranties give you specific legal rights and you may have other rights that vary from state to state. Full warranty and limited warranty from date of installation. For complete warranty details, refer to your Use & Care manual, or ask your dealer.

Specifications are for planning purposes only. Refer to installation instructions and consult your countertop supplier prior to making counter opening. Consult with a heating and ventilation engineer for your specific ventilation requirements. For the most detailed information, refer to installation instructions accompanying product or write to Thermador indicating the model number. Specifications are correct at time of printing. Thermador reserves the right to change product specifications or design without notice. Some models are certified for use in Canada. Thermador is not responsible for products that are transported from the U.S. for use in Canada.

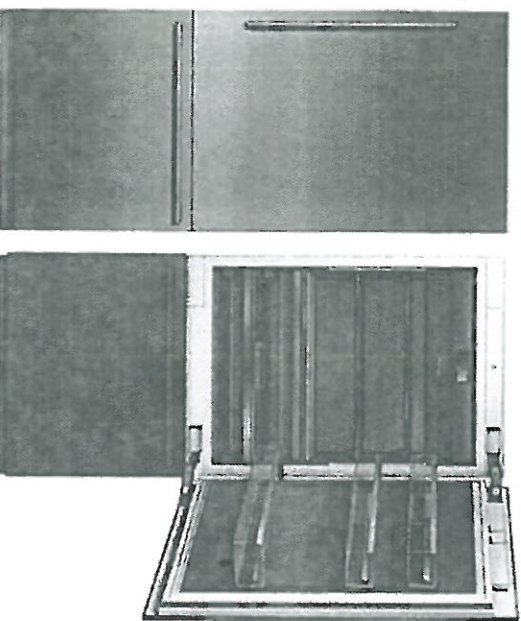
1 800 735 4328 USA.THERMADOR.COM CANADA.THERMADOR.CA ©2019 BSH HOME APPLIANCES CORPORATION ALL RIGHTS RESERVED.

**T36BB915SS**  
**36-INCH STAINLESS STEEL BUILT-IN 2-DOOR**  
**BOTTOM FREEZER, PRE-ASSEMBLED**  
 FREEDOM® COLLECTION, MASTERPIECE® SERIES HANDLES

*Shad / Alled*

**Thermador** 

March 16/



Also Available In:  
 T36BB925SS – Professional Series Handles

**FEATURES & BENEFITS**

- Full Stainless Steel Inner Liner
- Freedom® Hinge enables true flush design
- Auto Door Opening provides the opening of the door with just a slight push or pull
- ThermoFresh System, Humidity and Temperature controlled drawers
- SoftClose® Drawers for easy and controlled storage
- Sleek clean design for the perfect symmetry when paired with additional columns
- TFT control panel managing all your columns functions

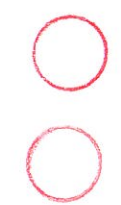
**TEMPERATURE RANGES**

Refrigerator	36°F (2°C) to 46°F (8°C)
Delic Drawer	Just above 32°F (0°C)
SuperCool	36°F (2°C) for approximately 6 hours
Energy Saving (Economy) Mode	Refrigerator: 45°F (7°C) Freezer: 3°F (-16°C)
Freezer	-11°F (-24°C) to 7°F (-14°C)
SuperFreeze®	-22°F (-30°C) for approximately 52 hours

**GENERAL PROPERTIES**

Home Connect™ (Wi-Fi Enabled)	Yes
Reversible Door Swing	Yes
SoftClose® Door	Yes
SoftClose® Drawers	Yes
Carbon Air Filter	Yes
Lighting	LED Sidewall and Theater Lighting
Refrigerator Shelves	3
Adjustable Shelves – Refrigerator	2
Shelf Material	Glass w/Aluminum Profile
Full Extension Drawers @ 115° Door Opening Angle	Yes
Full Extension Drawers @ 90° Door Opening Angle	Yes
Adjustable Temperature Drawer	1
Humidity Managed Drawer	1
Door Bins – Refrigerator	2
Gallon Door Bins – Refrigerator	1
Defrost Process – Freezer	Frost-Free
Freezer Baskets	2
Ice Maker with Diamond Ice System	Yes
Door Open Alarms	Yes
Open Door Assist	Yes
SuperCool	Yes
SuperFreeze®	Yes
Special Modes	Sabbath, Economy, Vacation
<b>CAPACITY</b>	
Total Capacity (cu. ft.)	19.6 cu. ft.
Refrigerator Capacity (cu. ft.)	14.0 cu. ft.
Freezer Capacity (cu. ft.)	5.6 cu. ft.
<b>TECHNICAL DETAILS</b>	
Watts (W)	350 W
Current (A)	15 A
Volts (V)	110-120 V
Frequency (Hz)	60 Hz
Power Cord Length (in.)	118
Plug Type	120V-3-Prong
<b>DIMENSIONS &amp; WEIGHT</b>	
Appliance Dimensions (H x W x D) (in.)	83 3/4" x 35 3/4" x 24 3/4"
Required Cutout Size (H x W x D) (in.)	84" x 36" x 25"
Net / Gross Weight (lbs)	537 / 584 lbs
<b>EFFICIENCY</b>	
ENERGY STAR® Qualified	Yes
Annual Energy Consumption	504 kWh

\*Height adjustable + / -1/2" (+ / -13 mm)



PV-33  
Mar 16/21

**T36BB915SS**  
**36-INCH STAINLESS STEEL BUILT-IN 2-DOOR**  
**BOTTOM FREEZER, PRE-ASSEMBLED**  
 FREEDOM® COLLECTION, MASTERPIECE® SERIES HANDLES

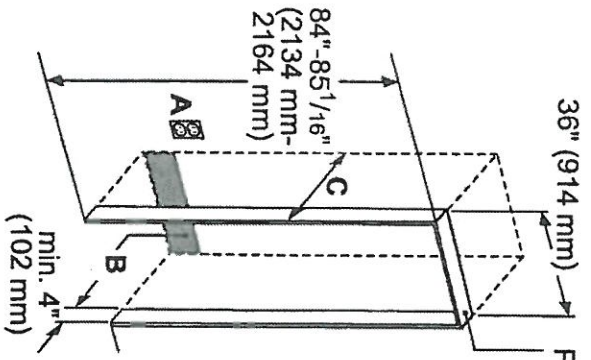


**WARRANTY**

Limited, Entire Appliance, Parts and Labor on Any Part of the Refrigerator that Fails Because of a Manufacturing Defect	2 Year
Limited Warranty for Sealed Refrigeration System*, Parts and Labor	3rd to 6th Year
Limited Warranty for Sealed Refrigeration System*, Parts Only	7th to 12th Year
Limited Warranty for Stainless Steel Rust-Through	Lifetime

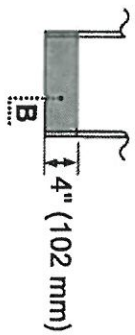
\*Sealed refrigeration system includes compressor, evaporator, condenser, dryer / strainer and connection tubing

**CUTOUT DIMENSIONS**

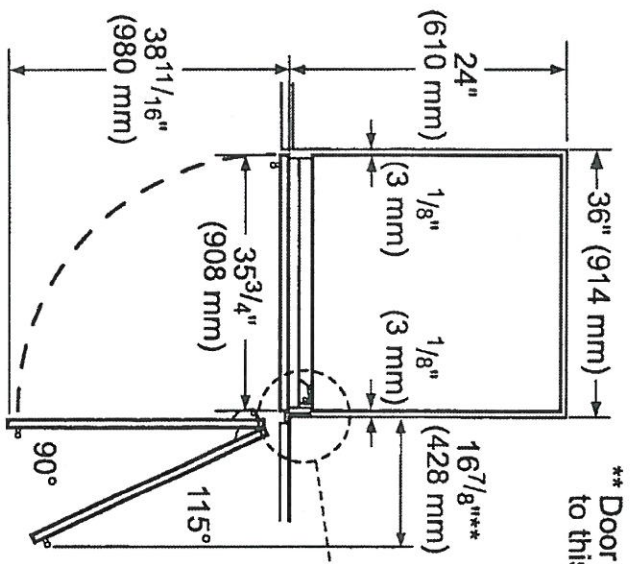


Furniture return

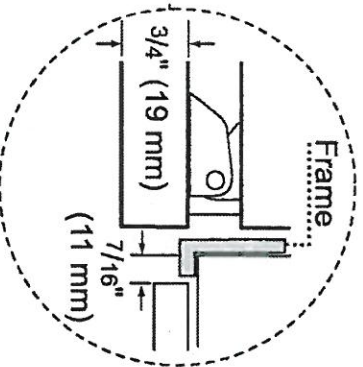
- A:** Area for installation of power connection.
  - B:** Area for running the water line. It is recommended that the waterbox is placed adjacent to the installation cavity, so that it can be accessed for service without uninstalling the appliance. If this is not possible, place the recessed waterbox adjacent to the water supply socket elevated at the heights as referenced in areas A and B.
  - C:** Recess depth depends on kitchen design. For a flush installation, the depth needs to be at least 24 inches plus the thickness of the door panel.
- Stainless steel models contain a panel-ready base unit, ready-to-install stainless steel door(s) with a right or left door swing and handle(s).



**TOP VIEW CLEARANCE**



\*\* Door handle must be added to this dimension



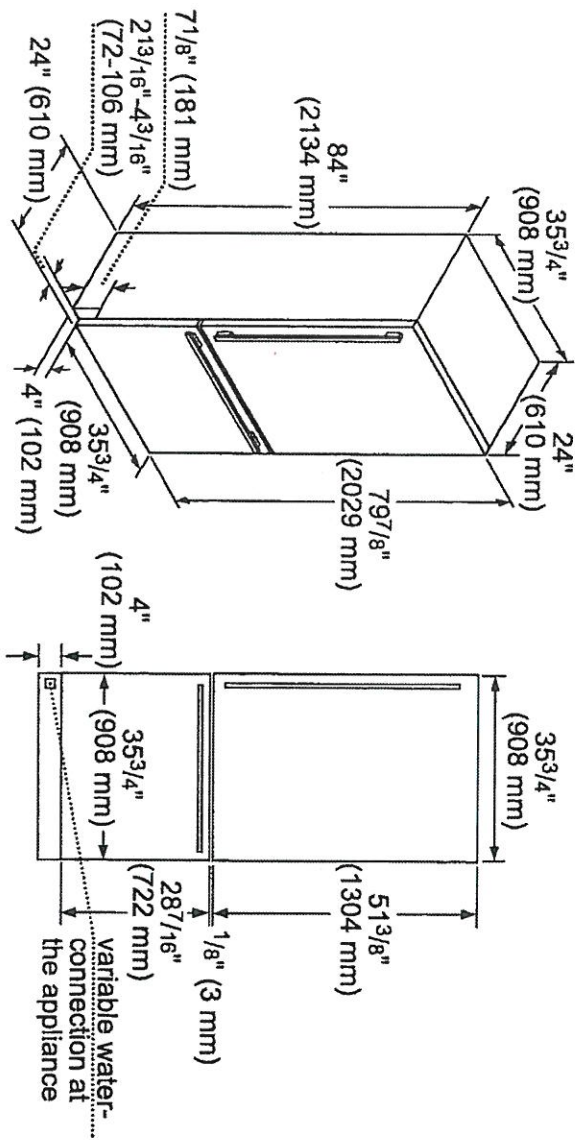


PV-33  
Mar 16/21

# T36BB915SS 36-INCH STAINLESS STEEL BUILT-IN 2-DOOR BOTTOM FREEZER, PRE-ASSEMBLED FREEDOM® COLLECTION, MASTERPIECE® SERIES HANDLES







## PRODUCT AND PANEL DIMENSIONS




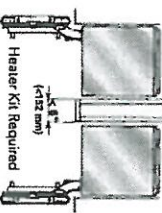
## ACCESSORIES (OPTIONAL)

### STORAGE

-  **36HF GALBIN**  
36-Inch Half Gallon Bin
-  **LPRODBIN10**  
Large Produce Bin
-  **SPRODBIN10**  
Small Produce Bin
-  **36PRODRAIL**  
36-Inch Produce Railing

### FILTERS

-  **REFPLTR55**  
Freedom® Water Filter  
Replacement water filter for use in all freezer and bottom freezer models
- FRAMEKIT10**  
Freedom® Frame Kit  
For any custom column installation in 24-inch deep cutouts. With two metal side trims whose placement between the interior cutout wall and the appliance helps overcome the challenge of unfinished cabinet returns.



**HEATRKIT20 - 13W @ 120V**  
Heater Kit Required

**Freedom® Heater Kit**  
When two appliances are installed side-by-side a sealing kit must be used. For combinations that involve a freezer column, this sealing kit is included. For all other (non-traditional, i.e., two wire columns, two bottom freezers, etc.) side-by-side combinations or instances where any appliances are installed less than 6-inches (152 mm) apart from one another but not connected side-by-side, purchase this kit. This kit is recommended for use with any installation in areas that are subject to humidity, or located next to an outside wall.

These warranties give you specific legal rights and you may have other rights that vary from state to state. Limited warranty from date of purchase. For complete warranty details, refer to your Use & Care manual, or ask your dealer.

Specifications are for planning purposes only. Refer to installation instructions and consult your countertop supplier prior to making counter opening. Consult with a heating and ventilation engineer for your specific ventilation requirements. For the most detailed information, refer to installation instructions accompanying product or write to Thermador indicating the model number. Specifications are correct at time of printing. Thermador reserves the right to change product specifications or design without notice. Some models are certified for use in Canada. Thermador is not responsible for products that are transported from the U.S. for use in Canada.

1 800 735 4378 | USA.THERMADOR.COM | CANADA.THERMADOR.CA | ©2021 BSH HOME APPLIANCES CORPORATION. ALL RIGHTS RESERVED.

**DWHD770WFM**  
**SAPPHIRE® 7-PROGRAM DISHWASHER**  
 MASTERPIECE® SERIES HANDLE

PV-33

SM/callad

March 16/21

**Thermador** ★



Also Available In:  
 DWHD770WFP – Flat Stainless Steel Panel with Professional Series Handle  
 DWHD770WPR – Custom Panel

**FEATURES & BENEFITS**

- ★ - StarDry™ — No one dries better. Star Dry with Zeolite: the ultra-powerful program that dries dishes better so place settings, glassware, and even sturdy plastics and containers with hard-to-reach crevices are ready for use immediately after each cycle
- ★ - Push to Open dishwasher opens with either a push or pull, so loading is easier, even when your hands are full
- ★ - Sapphire Glow® light illuminates with the sparkling blue light when the dishwasher is open
- Adjustable Chef's Tool Drawer® delivers added loading capacity as well as flexibility to accommodate larger or smaller items; wider ends and utensil handles
- Flexible folding tines fold down to accommodate larger pots, pans and dishes and add flexibility to hold items twice as wide as previous models and significantly wider than competitor
- Exceptionally Quiet — 42 dBA for a peaceful kitchen experience
- Thermador Connected Experience by Home Connect brings exclusive dish features that keep you connected. Always.

**ACCESSORIES (OPTIONAL)**

Dishwasher Supply and Drainage Hose Extension 76 3/4"	SGZ1010UC
Dishwasher Accessory Kit	SMZ5000
Fine Silverware Carafe	SMZ5002UC
Junction Box	SMZPCJB1UC



Accessory Kit includes Extra-Tall-Item Sprinkler, Vase / Bottle Holder, 3 Plastic Item Clips and Small Item Basket

★ THERMADOR® EXCLUSIVE

GENERAL PROPERTIES	
Number Of Wash Cycles	7
Number Of Options	7
NSP®-Certified* Sanitize Option	Yes
dBA	42
Third Rack	Adjustable Chef's Tool Drawer®
Rack Adjustability	Rackmatic 3-Stage
Tub Material	Stainless Steel
Control Type	Premium Touch Control
Concealed Water Heating Element	Yes
Leak Protection System	24/7 AquaStop®
Water Softener	Yes
Five-Level Wash	Yes
Childlock	No
Home Connect (Wi-Fi Enabled)	Yes
EFFICIENCY	
Water Usage Per Cycle (g)	3.5 g
Energy Efficiency Class	Tier 1
ENERGY STAR® Certified	Yes
Total Annual Energy Consumption (kWh)	269 kWh
Total Annual Water Consumption (g)	623.5 g
CAPACITY	
Number Of Place Settings	16
TECHNICAL DETAILS	
Watts (W)	1,440 W
Current (A)	12 A
Volts (V)	120 V
Frequency (Hz)	60 Hz
Power Cord Length (in)	67"
Power Cord Install Length from Corner of Unit when Facing the Door (in)**	Left - 45" Right - 56"
Minimum Water Pressure (lb/sin)	14
Max. Temperature for Water Intake	140° F
Length Inlet Hose (in)	N/A
Length Outlet Hose (in)	79"
DIMENSIONS & WEIGHT	
Overall Appliance Dimensions (HXWXD) (in)	33 7/8" x 23 9/16" x 23 3/4"
Required Cutout Size (HXWXD) (in)	33 7/8" Min. x 23 5/8" Min. x 24"
Adjustable Feet	Yes
Net Weight (lbs)	108 lbs

\*Certification to NSF/ANSI Standard 184 for residential dishwashers  
 \*\*September 2020 running production change to remove adhesive routing clips for power cord. These clips and the edge protector are now included in the dishwasher accessory kit #SMZERCUCUC.

PV-33  
 Mar. 16 121

# DWHD770WFM

## SAPPHIRE® 7-PROGRAM DISHWASHER

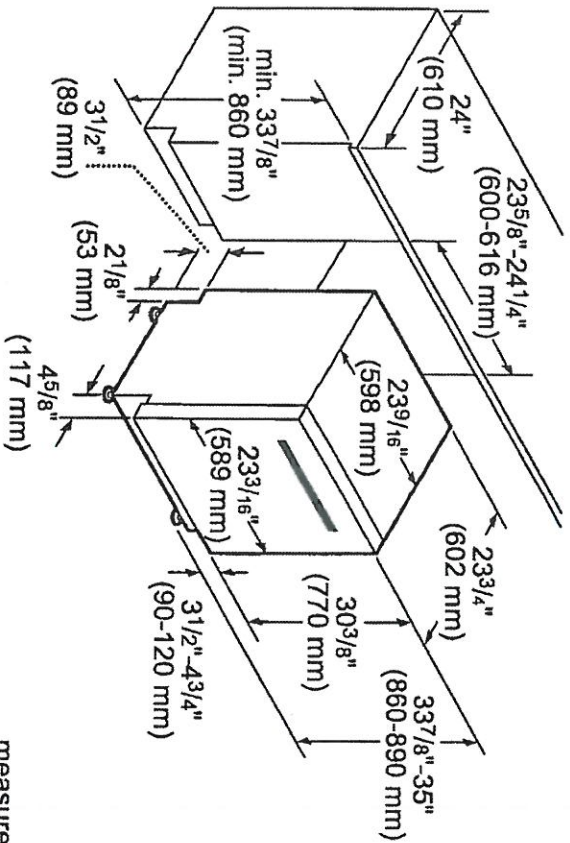
MASTERPIECE® SERIES HANDLE



### WARRANTY

Limited Warranty, Entire Appliance, Parts and Labor	2 Year
Limited Warranty for Microprocessor or Printed Circuit Board; Parts Only	3rd to 5th Year
Limited Warranty for Racks (Does Not Include Rack Components); Parts Only	3rd to 5th Year
Limited Warranty for Rust-through On Inner Tub Liner; Parts Only	Lifetime

### DISHWASHER & CUTOUT DIMENSIONS



measurements in inches and mm

These warranties give you specific legal rights and you may have other rights that vary from state to state. Full warranty and limited warranty from date of installation. For complete warranty details, refer to your Use & Care manual, or ask your dealer.

Specifications are for planning purposes only. Refer to installation instructions and consult your countertop supplier prior to making counter opening. Consult with a heating and ventilation engineer for your specific ventilation requirements. For the most detailed information, refer to installation instructions accompanying product or write to Thermador indicating the model number. Specifications are correct at time of printing. Thermador reserves the right to change product specifications or design without notice. Some models are certified for use in Canada. Thermador is not responsible for products that are transported from the U.S. for use in Canada.

1 800 735 4328 | USA.THERMADOR.COM | CANADA.THERMADOR.CA | ©2020 BSH HOME APPLIANCES CORPORATION. ALL RIGHTS RESERVED.