

**APPLIANCES**

Invoice	Qty.	Description
2600 23Feb21 NoCat	1	ATTACHED SIGNED APPLIANCE SPECIFICATIONS
2634 11Mar21 NoCat	1	APPLIANCES: HOOD FAN SPECIFICATIONS - SIGNED/APPROVED ATTACHED

**CERAMIC**

Invoice	Qty.	Description
2600 23Feb21 NoCat	1	MASTER ENSUITE: SHOWER NICHE [SHAMPOO SHELF] - COMPLETE WITH MATCHING MARBLE JAMBS ON 4 SIDES, STANDARD TILE, APPROX. 12 X 18 INSTALLED VERTICALLY - SEE PLAN FOR LOCATION
2603 37 11Mar21	1	POWDER ROOM: TILE, FLOOR , LEVEL 5 - 12X24" LAID IN STRAIGHT, STACKED PATTERN. SEE PLAN FOR TILE DIRECTION
2603 37 11Mar21	1	MASTER ENSUITE: TILE, FLOOR , LEVEL 5 - 24X24" LAID IN STRAIGHT, STACKED PATTERN.
2603 51 11Mar21	1	MASTER ENSUITE: TILE, WALL, LEVEL 3 - 12X24" LAID IN HORIZONTAL, STACKED PATTERN.

**CROWN MOULDING**

Invoice	Qty.	Description
2600 23Feb21 NoCat	1	GREAT ROOM: MODEL OPTIONS 40.02 - GREAT ROOM - OPT. WAFFLE CEILING, BEAM DETAIL AS PER PLAN (6 BOXES) OPTION # 1 - CTR-B07

**DRYWALL**

Invoice	Qty.	Description
2600 72,373 23Feb21	1	MASTER BEDROOM: MODEL OPTIONS 40.02 - MASTER BEDROOM - OPT. 10 FOOT TRAY CEILING
2600 72,384 23Feb21	1	BREAKFAST: MODEL OPTIONS 40.02 - BREAKFAST ROOM OPT. COFFERED CEILING - AS PER PLAN
2600 72,385 23Feb21	1	GREAT ROOM: MODEL OPTIONS 40.02 - GREAT ROOM - OPT. COFFERED CEILING - AS PER PLAN
2600 72,387 23Feb21	1	GREAT ROOM: MODEL OPTIONS 40.02 - GREAT ROOM - OPT. WAFFLE CEILING, BEAM DETAIL AS PER PLAN (6 BOXES) OPTION # 1 - CTR-B07
2600 23Feb21 NoCat	1	MASTER ENSUITE: SHOWER NICHE [SHAMPOO SHELF] - COMPLETE WITH MATCHING MARBLE JAMBS ON 4 SIDES, STANDARD TILE, APPROX. 12 X 18 INSTALLED VERTICALLY - SEE PLAN FOR LOCATION

**ELECTRICAL**

Invoice	Qty.	Description
2600 72,281 23Feb21	1	GREAT ROOM: INTERIOR WALL OUTLET: ADDITIONAL 110V WALL INTERIOR RECEPTACLE ON EXISTING CIRCUIT FOR WALL MOUNTED TV - LOCATE APPROX 66" A.F.F. ABOVE FIREPLACE
2600 72,273 23Feb21	1	KITCHEN: 110V WALL RECEPTACLE ON SEPARATE CIRCUIT - GAS FIRED RANGE - FOR AUX. EQUIPMENT - NOT A STOVE PLUG
2600 72,272 23Feb21	1	KITCHEN: 110V WALL RECEPTACLE ON SEPARATE CIRCUIT - FOR MICROWAVE - MICROWAVE NOT INCLUDED  SEE PLAN FOR LOCATION
2600 72,303 23Feb21	1	KITCHEN: FIXTURE: UNDER CABINET FLUORESCENT LIGHT FIXTURES **INCLUDES RECESSED CABINETRY VALANCE**
2600 72,289 23Feb21	6	GREAT ROOM / BREAKFAST: 4" E/S LED INTERIOR POT LIGHT - GROUND FLOOR - EACH  INCLUDED IN APS
2600 72,278 23Feb21	2	GREAT ROOM + BREAKFAST ROOM: ADDITIONAL INTERIOR SWITCH  FOR POTLIGHTS
2600 72,288 23Feb21	2	MASTER ENSUITE: ROUGH-IN FOR ADDITIONAL WALL SCONCE (1) CAPPED OUTLET ON EXISTING SWITCH - FIXTURE NOT INCLUDED  LOCATE OPPOSITE ENDS OF VANITY - SAME HEIGHT AND SWITCH AS STANDARD VANITY LIGHT
2600 72,310 23Feb21	1	MASTER ENSUTIE: UPGRADE STANDARD CEILING MOUNT FIXTURE TO (1) LED POT LIGHT - SECOND FLOOR - SEE PLAN FOR LOCATION
2600 72,290 23Feb21	2	MASTER ENSUITE: 4" E/S LED INTERIOR POT LIGHT (INSULATED CEILING) - SECOND FLOOR - EACH  USE SAME SWITCH AS STANDARD
2600 72,307 23Feb21	1	KITCHEN: FIXTURE: RELOCATE STANDARD CEILING MOUNT FIXTURE - LOCATE APPROX CENTERED ABOVE ISLAND - SEE PLAN FOR LOCATION
2600 72,280 23Feb21	1	KITCHEN: CEILING OUTLET: ADDITIONAL REINFORCED CEILING OUTLET - LOCATE APPROX CENTERED ABOVE ISLAND - SEE PLAN FOR LOCATION  USE SAME SWITCH AS STANDARD

**EXTERIOR COLOURS**

Invoice	Qty.	Description
2603  11Mar21 NoCat	1	EXTERIOR COLOUR PACKAGE: BR5

**FRAMING**

Invoice	Qty.	Description
2600 72,631 23Feb21	1	MASTER ENSUITE: SHOWER NICHE [SHAMPOO SHELF] - COMPLETE WITH MATCHING MARBLE JAMBS ON 4 SIDES, STANDARD TILE, APPROX. 12 X 18 INSTALLED VERTICALLY - SEE PLAN FOR LOCATION
2600 23Feb21 NoCat	1	MASTER BEDROOM: MODEL OPTIONS 40.02 - MASTER BEDROOM - OPT. 10 FOOT TRAY CEILING
2600 23Feb21 NoCat	1	REAR DOOR: UPGRADE TO 96" GARDEN DOOR ASSEMBLY
2600 23Feb21 NoCat	1	BREAKFAST: MODEL OPTIONS 40.02 - BREAKFAST ROOM OPT. COFFERED CEILING - AS PER PLAN
2600 23Feb21 NoCat	1	GREAT ROOM: MODEL OPTIONS 40.02 - GREAT ROOM - OPT. COFFERED CEILING - AS PER PLAN

**GLASS AND MIRROR**

Invoice	Qty.	Description
2603 11Mar21 NoCat	2	MASTER ENSUITE + SHARED ENSUITE: UPGRADE SHOWER DOOR HANDLE SQ6X6 - CHROME

**GRANITE MARBLE QUARTZ**

Invoice	Qty.	Description
2603 11Mar21 NoCat	1	POWDER ROOM: UPGRADE 3 QUARTZ COUNTER
2603 11Mar21 NoCat	1	KITCHEN: UPGRADE 6 QUARTZ COUNTER TOP
2603 11Mar21 NoCat	1	KITCHEN: ADD WATERFALL LEG TO ONE SIDE OF ISLAND - LEVEL 6 QUARTZ  SEE PLAN FOR LOCATION
2603 11Mar21 NoCat	1	MASTER ENSUITE: UPGRADE 3 QUARTZ COUNTER TOP
2603 11Mar21 NoCat	1	ENSUITE 2: UPGRADE 3 QUARTZ COUNTER TOP
2603 11Mar21 NoCat	1	SHARED ENSUITE: UPGRADE 3 QUARTZ COUNTER

**HARDWOOD**

Invoice	Qty.	Description
2603 4 11Mar21	1	KITCHEN: VINTAGE SERIES, 5" WHITE OAK, NSS ENGINEERED HARDWOOD, 3/4" THK, WIREBRUSH TEXTURE, UV OIL FINISH - LEVEL 3
2603 4 11Mar21	1	FOYER: VINTAGE SERIES, 5" WHITE OAK, NSS ENGINEERED HARDWOOD, 3/4" THK, WIREBRUSH TEXTURE, UV OIL FINISH - LEVEL 3
2603 4 11Mar21	1	THRU OUT STANDARD AREAS - MAIN HALL/ GREAT ROOM/BREAKFAST/ DINING ROOM/ UPPER HALL/ MASTER BEDROOM/ BEDROOM 2/ BEDROOM 3/ BEDROOM 4: VINTAGE SERIES, 5" WHITE OAK, NSS ENGINEERED HARDWOOD, 3/4" THK, WIREBRUSH TEXTURE, UV OIL FINISH - LEVEL 3

**HVAC**

Invoice	Qty.	Description
2600 72,224 23Feb21	1	KITCHEN: GAS LINE ROUGH-IN - MAIN FLOOR FOR GAS RANGE

**INTERIOR TRIM AND DOORS**

Invoice	Qty.	Description
2603 153,783 11Mar21	1	THRU OUT: HALIFAX LEVER, IRON BLACK INTERIOR DOOR HARDWARE  leave standard hinges

**KITCHEN AND BATH CABINETRY**

Invoice	Qty.	Description
2600 23Feb21 NoCat	1	THRU OUT: SEE ATTACHED CABINETRY SCHEDULE
2603 11Mar21 NoCat	1	THRU OUT: SEE ATTACHED CABINETRY SCHEDULE
2603 11Mar21 NoCat	1	FYI - KITCHEN: ADD WATERFALL LEG TO ONE SIDE OF ISLAND - LEVEL 6 QUARTZ

**MASONRY**

Invoice	Qty.	Description
2600 23Feb21 NoCat	1	REAR DOOR: UPGRADE TO 96" GARDEN DOOR ASSEMBLY

**NETWORK AND WIRING**

Invoice	Qty.	Description
2600 72,259 23Feb21	1	GREAT ROOM: CONDUIT PIPE - FOR WALL MOUNT TV - LOCATE APPROX 66" A.F.F. ABOVE FIREPLACE, THRU BASEMENT, TERMINATE AT CABLE - SEE PLAN FOR LOCATION
2600 72,258 23Feb21	1	GREAT ROOM: ADDITIONAL CAT6 ETHERNET OUTLET - EACH SEE PLAN FOR LOCATION
2600 72,258 23Feb21	1	BEDROOM 4: ADDITIONAL CAT6 ETHERNET OUTLET - EACH SEE PLAN FOR LOCATION
2600 72,260 23Feb21	1	CONDUIT PIPE - FROM ATTIC TO BASEMENT - FROM AT ELECTRICAL PANEL IN BASEMENT TO APPROX CENTER OF ATTIC

**PAINT**

Invoice	Qty.	Description
2600 23Feb21 NoCat	1	MASTER BEDROOM: MODEL OPTIONS 40.02 - MASTER BEDROOM - OPT. 10 FOOT TRAY CEILING
2600 23Feb21 NoCat	1	BREAKFAST: MODEL OPTIONS 40.02 - BREAKFAST ROOM OPT. COFFERED CEILING - AS PER PLAN
2600 23Feb21 NoCat	1	GREAT ROOM: MODEL OPTIONS 40.02 - GREAT ROOM - OPT. COFFERED CEILING - AS PER PLAN
2603 11Mar21 NoCat	2	MAIN STAIRS: BASEMENT TO 2ND FLOOR - STAIN STAIRS AND LANDINGS  STAIRS AND LANDINGS WILL NOT MATCH HARDWOOD FLOORS IN COLOUR/TEXTURE/SPECIES
2603 11Mar21 NoCat	1	FYI - MAIN STAIRS - 2ND FLOOR TO BASEMENT: UPGRADE - EURONLINE (ALL PLAIN) PICKET, 3" HALF-ROUND W/V-GROOVE HANDRAIL, 3 1/2" ALL SQUARE POST WITH PYRAMID TOP POST CAP - PACKAGE A-2

**PLUMBING**

Invoice	Qty.	Description
2600 72,332 23Feb21	1	KITCHEN: ROUGH-IN 1/4" COLD WATER LINE TO FRIDGE
2600 23Feb21 NoCat	1	MASTER ENSUITE: MOEN '90*' RAIN SHOWER (from ceiling) + HAND SHOWER/SLIDE BAR - CHROME
2600 23Feb21 NoCat	1	KITCHEN: MOEN 'MODERN' POTFILLER  INCLUDES ROUGH IN

**STAIR AND RAILINGS**

Invoice	Qty.	Description
2603 93,780 11Mar21	2	MAIN STAIRS - 2ND FLOOR TO BASEMENT: UPGRADE - EURONLINE (ALL PLAIN) PICKET, 3" HALF-ROUND W/V-GROOVE HANDRAIL, 3 1/2" ALL SQUARE POST WITH PYRAMID TOP POST CAP - PACKAGE A-2

**WINDOWS AND DOORS**

Invoice	Qty.	Description
2600 23Feb21 NoCat	1	REAR DOOR: UPGRADE TO 96" GARDEN DOOR ASSEMBLY



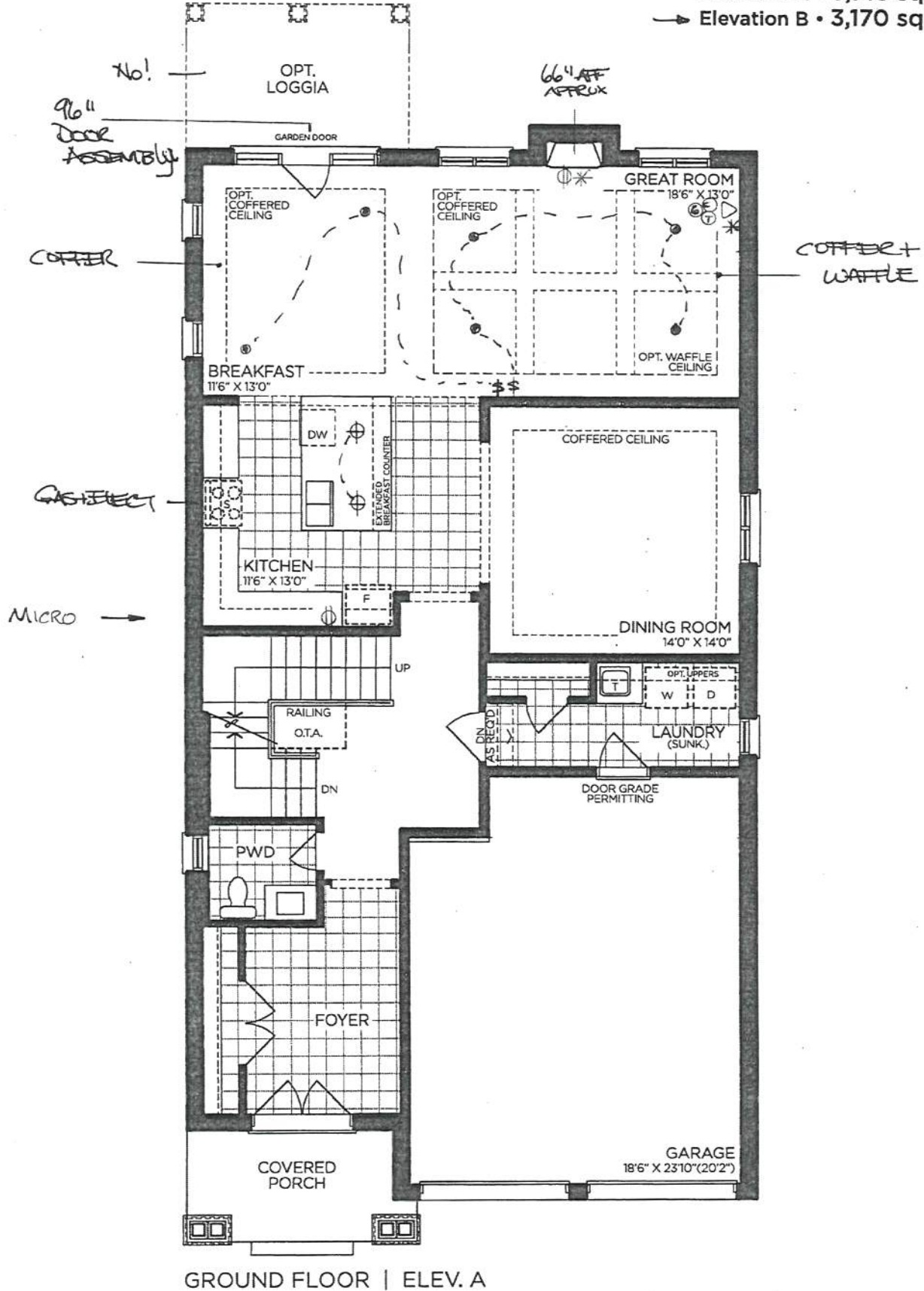
SCHEDULE 'F'

PV-40 AP  
 FEB 22 2021

# The Valleyview

## 40' SERIES

Elevation A • 3,145 sq.ft.  
 → Elevation B • 3,170 sq.ft.



GROUND FLOOR | ELEV. A

VENDOR

PURCHASER

PURCHASER

# GOLDPARK

WORTH MORE™

Prices, figures, illustrations, sizes, features and finishes are subject to change without notice. Areas and dimensions are approximate and actual usable floor space may vary from the stated area. Layout may be reverse of the unit purchased. E. & O.E. 4002



SCHEDULE 'F'

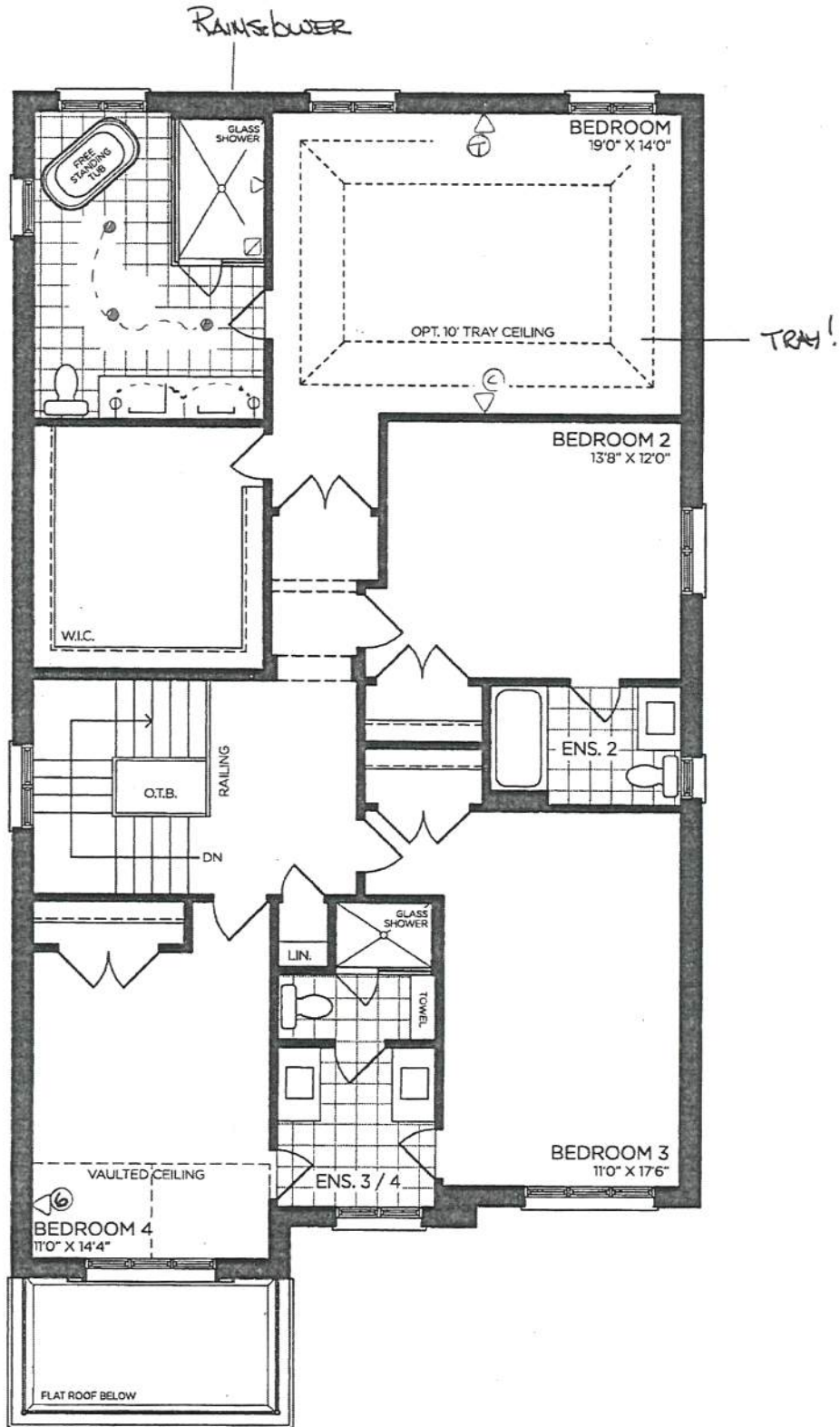


PV-40 AP  
 FEB 22 2021

# The Valleyview

## 40' SERIES

Elevation A • 3,145 sq.ft.  
 → Elevation B • 3,170 sq.ft.



SECOND FLOOR | ELEV. A

VENDOR

PURCHASER

PURCHASER

**GOLDPARK**  
 WORTH MORE™

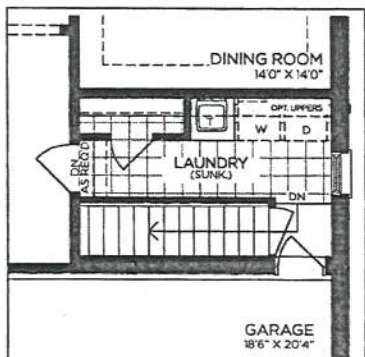
Prices, figures, illustrations, sizes, features and finishes are subject to change without notice. Areas and dimensions are approximate and actual usable floor space may vary from the stated area. Layout may be reverse of the unit purchased. E. & O.E. 4002

SCHEDULE 'F'

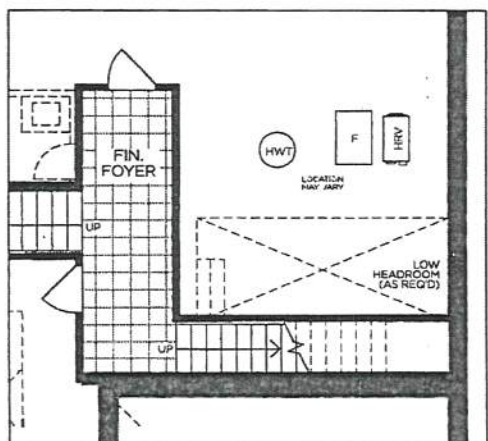


FV-40 AP  
FEB 22 2022

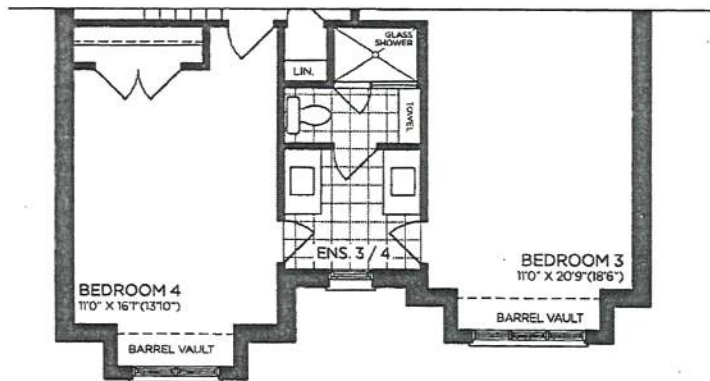
The Valleyview  
40' SERIES  
Elevation A • 3,145 sq.ft.  
→ Elevation B • 3,170 sq.ft.



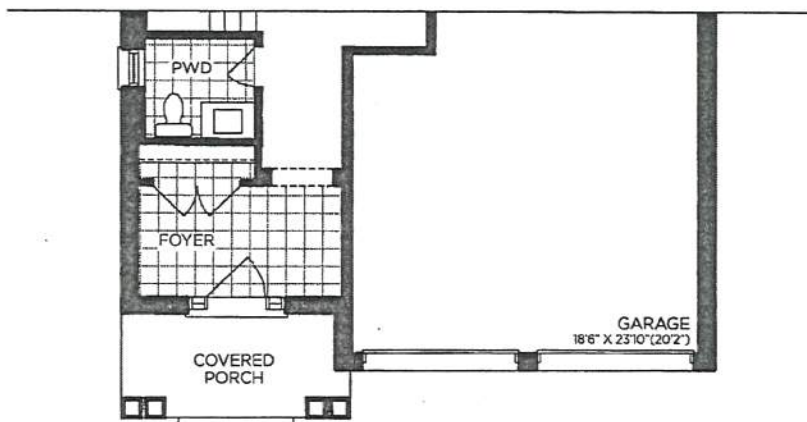
PART. GROUND FLOOR  
OPT. SERVICE STAIR



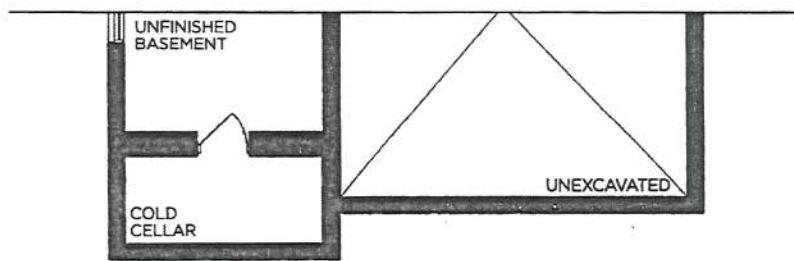
PART. BASEMENT  
OPT. SERVICE STAIR



→ PART. SECOND FLOOR | ELEV. B



→ PART. GROUND FLOOR | ELEV. B



→ PART. BASEMENT | ELEV. B

VENDOR

PURCHASER

PURCHASER

**GOLDPARK**  
WORTH MORE™

Prices, figures, illustrations, sizes, features and finishes are subject to change without notice. Areas and dimensions are approximate and actual usable floor space may vary from the stated area. Layout may be reverse of the unit purchased. E. & O.E. 4002

SCHEDULE 'F'

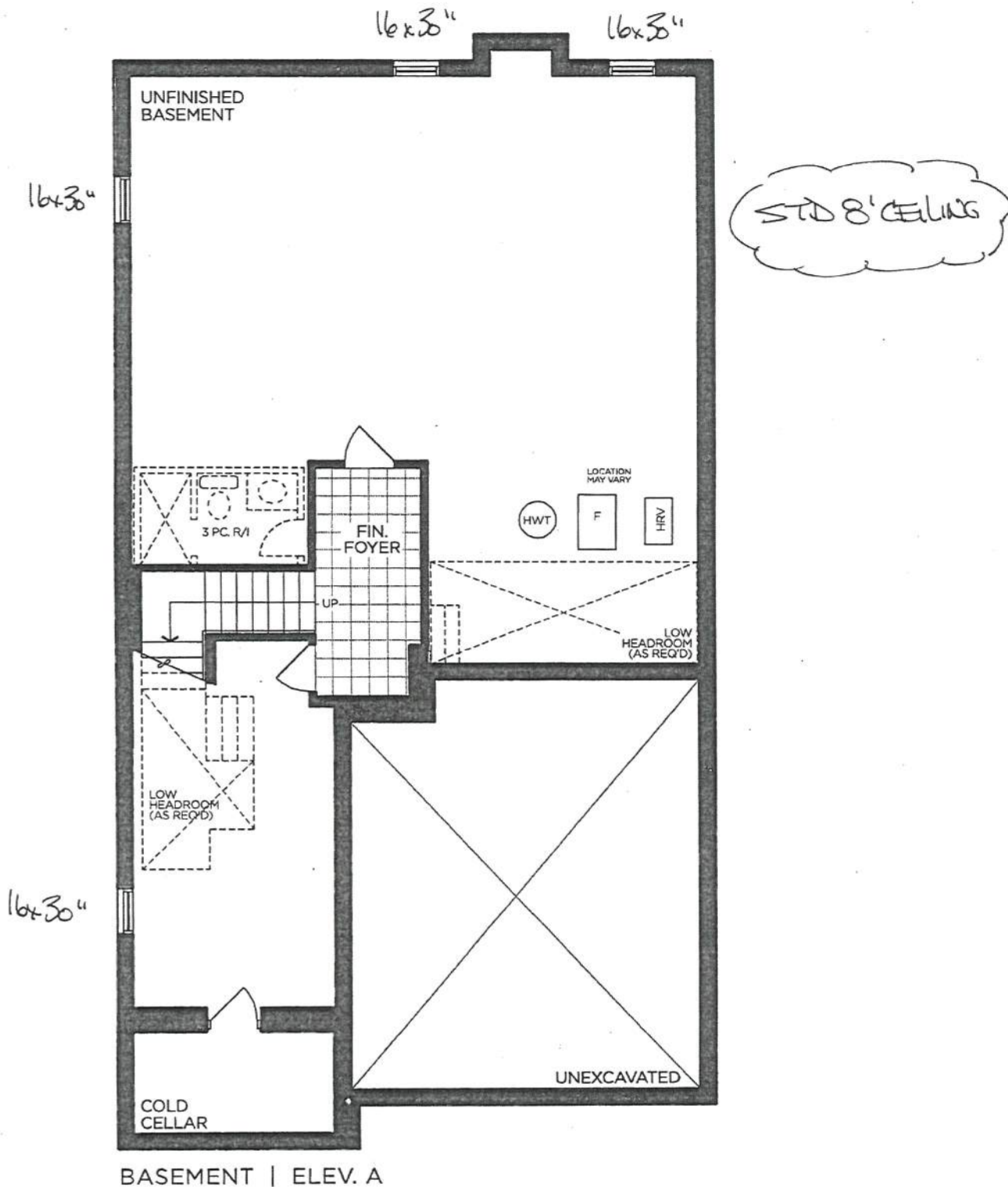


PV-40 AP  
 FEB 22 2021

# The Valleyview

## 40' SERIES

Elevation A • 3,145 sq.ft.  
 → Elevation B • 3,170 sq.ft.



BASEMENT | ELEV. A

VENDOR

PURCHASER

PURCHASER

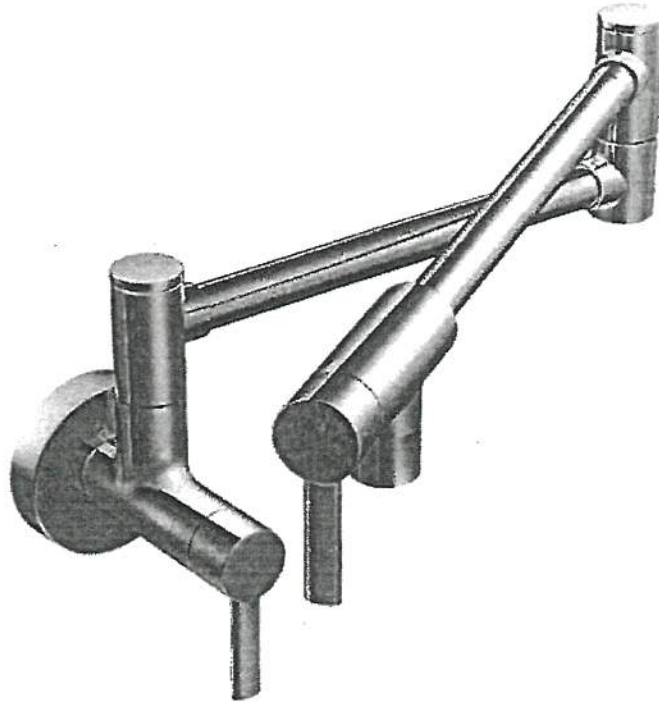
**GOLDPARK**  
 WORTH MORE™

Prices, figures, illustrations, sizes, features and finishes are subject to change without notice. Areas and dimensions are approximate and actual usable floor space may vary from the stated area. Layout may be reverse of the unit purchased. E. & O.E. 4002

UPGRADE KITCHEN EXTRA

MOEN - MODERN

Pot Filler



- CHROME
- STAINLESS (SRS)
- POLISHED NICKEL (NL)
- MATTE BLACK (BL)
- BRUSHED GOLD (BG)

MODEL: S665 Pot Filler

Lot# 40	Date: FEB 22 2021	Room: KITAHEN
Signature: 		
Signature: 		

3/8/2021

GE 30-inch W Range Hood in Stainless Steel | The Home Depot Canada



My Store: **Vaughan** | **Closed** • Opens 6 a.m. ▼

Rental Credit Services For the Pro  
Order Status Customer Support  
Gift Cards Français



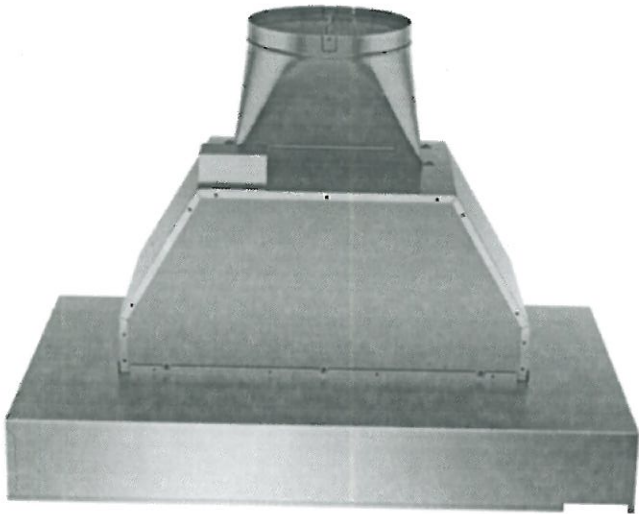
Account / Sign In ▼ | Cart

Shop by Department ▼ Shop by Room Ideas & How-to Home Services  
Warehouse Value & Specials Weekly Flyer

Maintaining clean, safe stores in one of our top priorities. [Learn More](#)

### GE 30-inch W Range Hood in Stainless Steel

Model # UVC7300SLSS | Store SKU # 1001511084

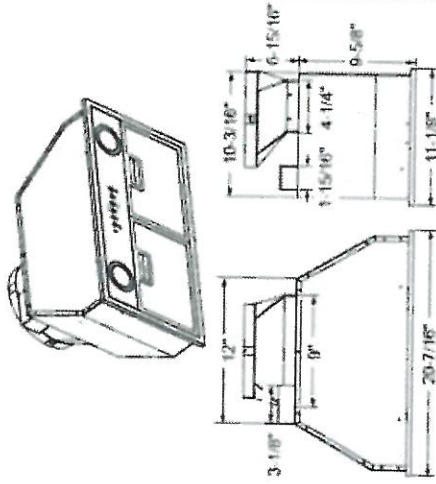


PV-40  
March 10, 2021

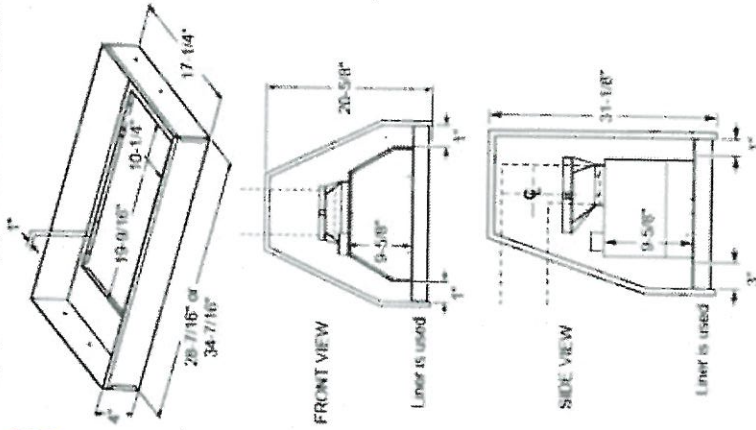
see email

## Installation Preparation

### PRODUCT DIMENSIONS



### CABINET PREPARATION Liner (Optional) (UXHL30 or UXHL36)



### INSTALLATION CLEARANCES

This vent hood must be installed between the 24\"/>

- Always refer to the cooktop or range installation instructions for product-specific clearances.

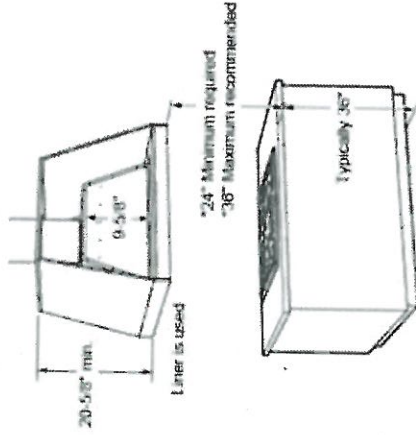
**NOTE:** Installation height should be measured from the cooking surface to the bottom edge of the cabinet surface.

**NOTE:** UL requires any combustible surface to be a minimum of 30\"/>

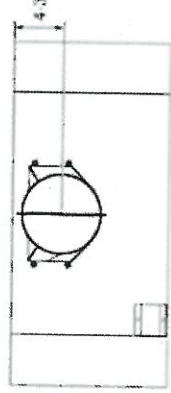
- The custom cabinet internal height must be 18-5/8\"/>

- This hood can be vented to the outdoors, or it can be installed for recirculating operation. For recirculating operation, refer to Recirculating Installation Planning.

- This hood may be mounted onto a cabinet or installed over an island.

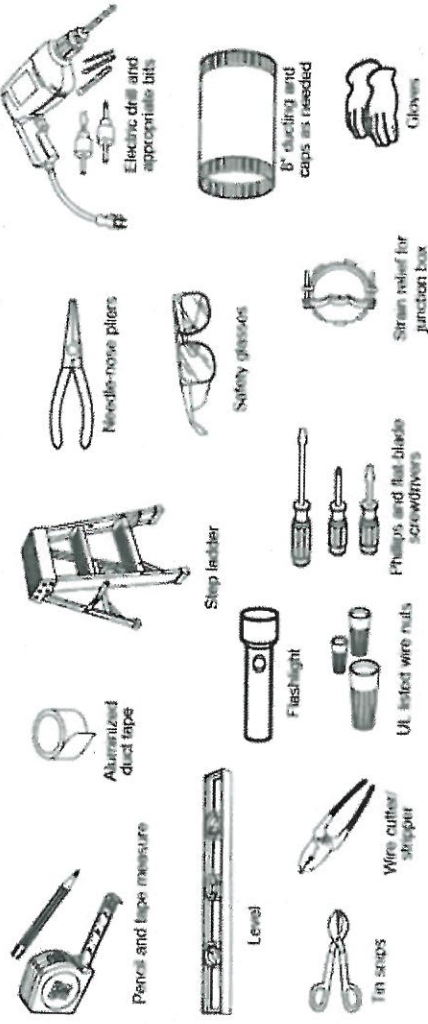


**NOTE:** The exhaust duct on the hood is closer to the rear of the hood. It is important to plan for the alignment to the connection point of the hood.



## Installation Preparation

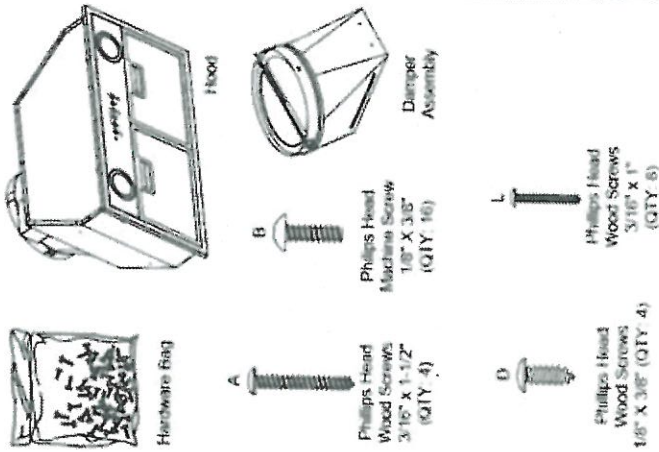
### TOOLS AND MATERIALS REQUIRED (NOT SUPPLIED)



### PARTS PROVIDED

Locate the parts packed with the hood.

**NOTE:** The hardware bag may contain extra pieces to accommodate a variety of installation methods for various models.



### PLAN THE INSTALLATION

**CAUTION** To reduce risk of fire and to properly exhaust air, be sure to duct the air outside – Do not vent exhaust air into spaces within walls or ceilings or into attics, crawl spaces, or garages.

**WARNING** PERSONAL INJURY HAZARD It is recommended that 2 people are used to install the range hood. Failure to properly lift rangehood could result in damage to the product or personal injury.

**NOTE:** This rangehood can be installed as either ducted or recirculation. In a ducted application, this rangehood can be vented through the wall or ceiling. When installed for recirculation, the rangehood vents back into the room.

### REMOVE THE PACKAGING

- CAUTION** Wear gloves to protect against sharp edges.
- Remove the hardware bag, literature package and other boxed parts.
  - Remove and properly discard the protective plastic wrapping and other packaging materials.

PV-40  
Mar 10, 2021  
sevenmail

Installation Preparation

**ADVANCE PLANNING**

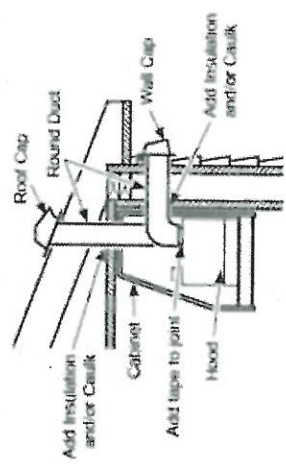
**Duct Install Planning**

- This hood is designed to be vented vertically through the ceiling. Use a 8" round duct. Use locally supplied elbows to vent horizontally through the rear wall. An 8" duct is required for optimal performance but a minimum of 6" duct can be used to ensure consistent performance.
- Use metal ductwork only.
- Determine the exact location of the vent hood.
- Plan the route for venting exhaust to the outdoors. To maximize the ventilation performance of the vent system:
  1. Minimize the duct run length and number of transitions and elbows
  2. Maintain a constant duct size.
  3. Seal all joints with duct tape to prevent any leaks

**NOTE:** Flexible vent is not recommended. Flexible vent creates back pressure and air turbulence that greatly reduces performance.

- Maximum equivalent duct length for 100 CFM: 150 foot for vent hoods.
- Install a wall cap or roof cap with damper at the exterior opening. Purchase the wall or roof cap and any transition and length of duct needed in advance
- When applicable, install any makeup (replacement) air system in accordance with local building code requirements. Visit [GEAppliances.com](http://GEAppliances.com) for available makeup air solutions.

Vent system can terminate either through the roof or the wall. To vent through a wall, a 90° elbow is needed and installed immediately above the hood.



**Wall and Ceiling Framing for Adequate Support**

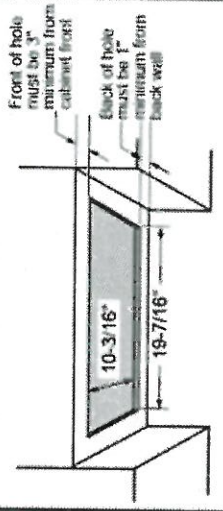
This vent hood is heavy and the cabinet structure needs to support the weight of the loaded insert sleeve. Adequate structural support must be provided in all types of installations.

- Installation will be easier if the vent hood is installed before the cooktop is installed.

**ADVANCE PLANNING (CONT.)**

**Custom Cabinet Frame Planning**

- The custom canopy or cabinet should have a rectangular hole to accommodate the custom hood insert by itself. This hole is the same size for both a wall installation and an island installation. Ensure parallelism and levelness of the cabinet so that it doesn't affect flushness of the hood with the cabinet.



**RECIRCULATION INSTALL PLANNING**

This hood may be installed in recirculation mode. The charcoal filter (not included) is necessary for recirculation installation.

Installation Preparation

INSTALLATION PREPARATION

**POWER SUPPLY**

**IMPORTANT - (Please read carefully)**

**⚠WARNING**

**FOR PERSONAL SAFETY, THIS APPLIANCE MUST BE PROPERLY GROUNDED.**

Remove house fuse or open circuit breaker before beginning installation.

Do not use an extension cord or adapter plug with this appliance. Follow National Electrical Codes or prevailing local codes and ordinances.

**Electrical supply**

These vent hoods must be supplied with 120V, 60Hz, and connected to an individual, properly grounded branch circuit, and protected by a 15 or 20 amp circuit breaker or time delay fuse.

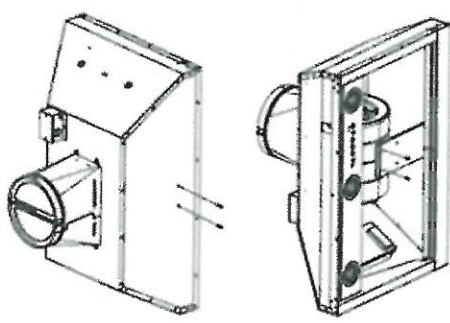
- Wiring must be 2 wire with ground.
  - If the electrical supply does not meet the above requirements, call a licensed electrician before proceeding.
  - Route house wiring as close to the installation location as possible in the ceiling or wall.
  - Connect the wiring to the house wiring in accordance with local codes.
- Grounding instructions**
- The grounding conductor must be connected to a ground metal, permanent wiring system, or an equipment-grounding terminal or lead on the hood.

**⚠WARNING**

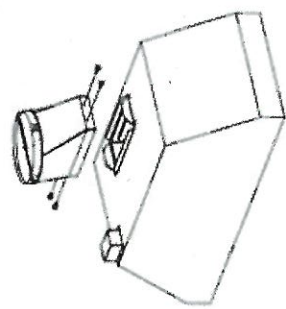
The improper connection of the equipment-grounding conductor can result in a risk of electric shock. Check with a qualified electrician or service representative if you are in doubt whether the appliance is properly grounded.

**PREPARE FOR CABINET INSTALLATION**

**NOTE:** This bracket must be removed prior to installation. Remove 2 back (rear) and 2 bottom screws per illustration below.



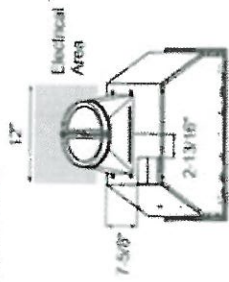
1. Securely press the damper on top of the exhaust opening. Check that the damper opens freely. Attach damper to hood using screws (B) provided.



2. The hood should be centered left to right over the cooktop.
3. Remove and properly discard the protective plastic wrapping from the hood.
4. The back surface of the hood must be 1" minimum from the back wall. The front surface of the hood must be 3" minimum from the front custom cabinet panel.
5. The custom cabinet should provide for removal of panels to provide access to the electrical wiring and to the ducting and its connections to the hood in case of any need for servicing or other reasons.

**PREPARE HOUSE ELECTRICAL WIRING**

The custom cabinet must allow spacing for house wiring to reach junction box located in diagram below. If unit is installed over an island, the wiring must come from ceiling. If power cord is needed, accessory is available.



PV-40

Mar 10, 2021

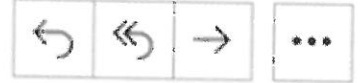
See mail

RE: [EXT]PV-40 Amendment - Signature Required

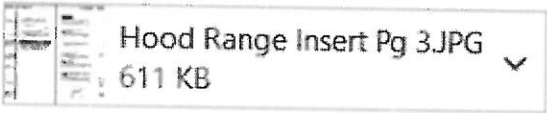
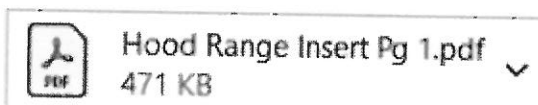
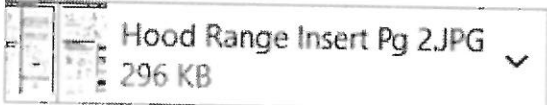


Papas, Matthew <Matthew.Papas@yum.com>

To Yolande Somerville; Andreea Bejgu



Mon 10:08 PM



Hi Yolande,

Andreea will send the signed copy tomorrow.

Please find attached hood fan specs.

Kindly confirm receipt of this email + our hood fan update.

Thanks!

Matt



# FRIGIDAIRE GALLERY

FG4H2272UF

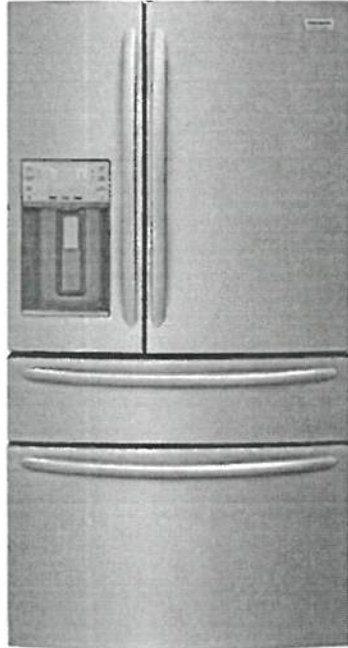
PV-40  
Feb. 23, 2021



FRENCH DOOR  
REFRIGERATOR

21.8 CU. FT. COUNTER-DEPTH

Smudge-Proof™  
Stainless Steel



AVAILABLE  
COLORS



## PRODUCT DIMENSIONS

Height (Including Hinges & Rollers)	70"
Width (Doors)	36"
Depth (Including Door)	29-5/8"

## MORE EASY-TO-USE FEATURES

### TwinTech™ Cooling System

Keeps food fresh by maintaining consistent temperatures in both the refrigerator and freezer.

### Energy Star® Certified

Maximize your energy and dollar savings with ENERGY STAR®-Certified appliances.

### PureSource Ultra® II Ice & Water Filtration

Remove 99.3% of lead and 99.9% of cysts from your household water with a genuine water filter.

### PureAir Ultra® II Air Filter

Our PureAir Ultra® II air filter effortlessly keeps the food in your refrigerator fresh by removing odor particles with fast-acting, highly absorbent carbon technology.

### Extra-Tall Ice and Water Pocket

Easily fill tall pitchers and sports bottles with a 10-inch exterior ice and water pocket.

### Bright LED Lighting

Find fresh foods quickly with bright LED Lighting.

### Smudge-Proof™ Stainless Steel

Resists fingerprints and cleans easily.

### Get a Built-In Look with Counter-Depth Design

Our Counter-Depth Refrigerator gives you the built-in look without the remodel, saving you 3 more inches of kitchen floor space as compared to our Standard-Depth French Door Refrigerator.

### Quick Freeze

Quickly freeze foods so they stay at their freshest—set this option before a large grocery run so your food freezes faster once you get home.

## CERTIFICATIONS

ENERGY STAR®



Star-K® Certified (Sabbath Mode)

## SIGNATURE FEATURES



### Custom-Flex® Temp Drawer

Can refrigerate or freeze your favorites. Customize your storage space to fit more of your family's favorites, from yogurt to beer to frozen pizza. This middle drawer can be set anywhere from -6° to 45°F, the widest range in temperature settings on the market.



### SpaceWise® Organization System

Easily access your most-used items with adjustable storage, including a flip-up shelf to fit taller items and an expandable door bin.



### Auto CrispSeal™ Crisper Drawers

Keep produce fresh, so you waste less food and save more money.



### OpenAccess™ Door

Makes grabbing your fresh favorites easier. Reach up to 75% of your fresh food by opening just one door.

**FG4H2272UF**  
**FRENCH DOOR REFRIGERATOR**  
 21.8 CU. FT. COUNTER-DEPTH

**FRIGIDAIRE**  
 GALLERY

**FEATURES**

Door Design	Tall
Door Finish	Smudge-Proof™ Stainless Steel
Door Handle Design	Stainless Steel
Cabinet Finish	Gray Textured
Door Closers	Yes
Door Hinge Covers	Hidden
Rollers - Front/Rear	Adjustable/Yes
Water Filter Location	Top-Right - Fresh Food Section
Sound Package	Quiet Pack

**DISPENSER**

Controls	LED Display
Dispenser Design	Flush, Single-Paddle
Number of Dispenser Buttons	15
Crushed Ice/Cube Ice/Water	Yes/Yes/Yes
Cool/Freeze Option	Quick Chill/Quick Freeze
Cold Drink Timer	Yes
Lock Button	Yes
Power Outage/Door Ajar/High Temp Alarms	Yes/Yes/Yes
Light	Yes
Water Filter Change Indicator Light	Yes
Air Filter Change Indicator Light	Yes

**REFRIGERATOR FEATURES**

Lighting	Multi-Level LED
Water Filter Type	PureSource Ultra™II
Air Filter Type	PureAir Ultra™II
Quarter-Width Fixed Shelves	1 Flip-Up
Half-Width Fixed Shelves	1 Slide-Under
Half-Width Adjustable Shelves	2
Cantilever Shelves	Yes
Crisper Drawer/Humidity Controls	2 CrispSeal™ Clear/Auto-Humidity Control
Dairy Compartment	1 Clear
Fixed Door Bins	1 Clear Gallon/3 Clear Dispenser Bins
Gallon Adjustable Door Bins	3 Clear (1 Expandable)
Automatic Ice Maker	Yes
Ice Maker On/Off	Yes

**CUSTOM-FLEX™ TEMP DRAWER FEATURES**

Self-Closing Pull-Out Drawer	Yes
Adjustable Temperature Range	-6° to 45°F
Drawer Divider	1 Adjustable
Lighting	LED

**FREEZER FEATURES**

Self-Closing Pull-Out Drawer	Yes
Sliding Full-Width Freezer Baskets	2 Plastic Drawers
Basket Divider	1 Adjustable (Bottom Basket)
Lighting	LED

**CERTIFICATIONS**

ENERGY STAR®	Yes
Star-K® Certified (Sabbath Mode)	Yes

**SPECIFICATIONS**

Total Capacity (Cu. Ft.)	21.8
Refrigerator Capacity (Cu. Ft.)	13.4
Freezer Capacity (Cu. Ft.)	5.9
Convertible Capacity (Cu. Ft.)	2.6
Power Cord Connection Location	Right Bottom Rear
Water Inlet Connection Location	Left Bottom Rear
Voltage Rating	120V/60Hz
Connected Load (kW rating) @ 120 Volts¹	1.14
Amps @ 120 Volts	9.5
Minimum Circuit Required (Amps)	15
Shipping Weight (Approx.)	340 Lbs.

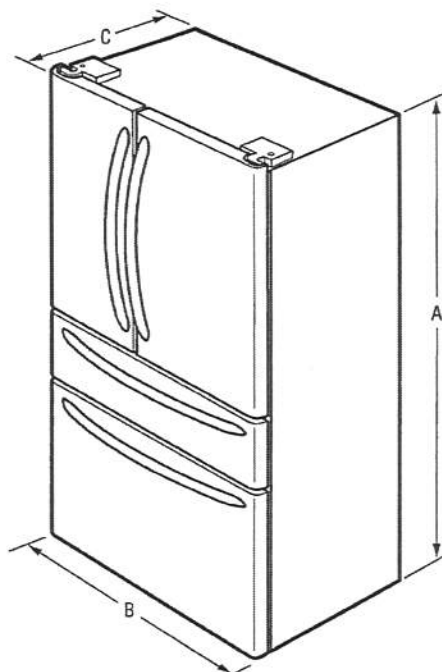
¹For use on adequately wired 120V, dedicated circuit having 2-wire service with a separate ground wire. Appliance must be grounded for safe operation.

**PRODUCT DIMENSIONS**

A - Height (Including Hinges & Rollers)	70"
B - Cabinet Width / Door Width	35-7/8" / 36"
C - Depth (Including Door)	29-5/8"
Depth with Door Open 90°	46-7/8"
Depth with Drawer Fully Extended (Including Handle)	45-1/4"

**"BUILT-IN LOOK" CUTOUT DIMENSIONS**

Height (Including Hinges & Rollers)	70-3/8"
Width	36"
Depth	25"



PV-40 AP  
 Feb. 23, 2021

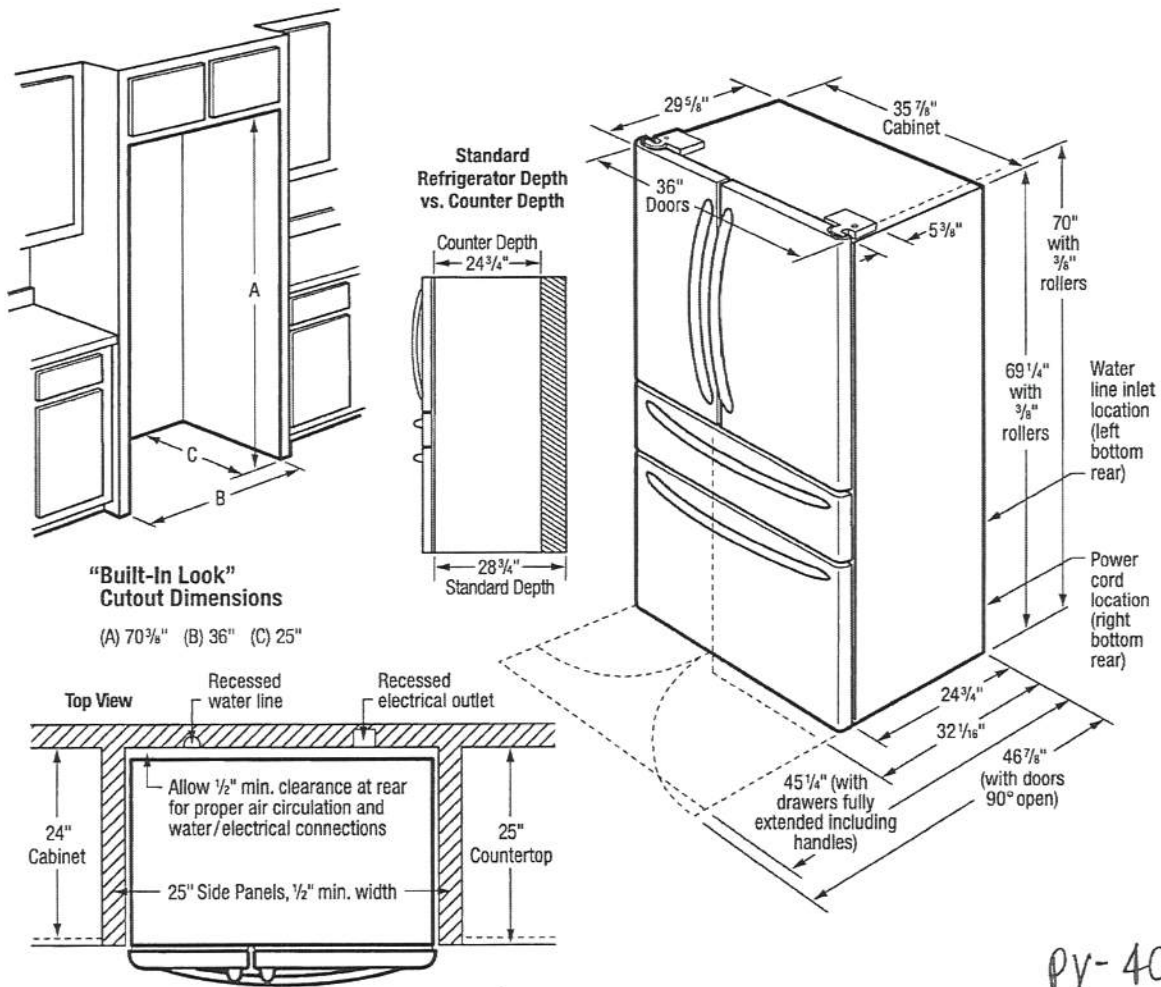


*Note: For planning purposes only. Always consult local and national electric, gas and plumbing codes. Refer to Product Installation Guide for detailed installation instructions on the web at [frigidaire.com](http://frigidaire.com) / [frigidaire.ca](http://frigidaire.ca). Specifications subject to change. Accessories information available on the web at [frigidaire.com](http://frigidaire.com) / [frigidaire.ca](http://frigidaire.ca)*

**FRIGIDAIRE**

USA • 10200 David Taylor Drive • Charlotte, NC 28262 • 1-800-FRIGIDAIRE • [frigidaire.com](http://frigidaire.com)  
 CANADA • 5855 Terry Fox Way • Mississauga, ON L5V 3E4 • 1-800-265-8352 • [frigidaire.ca](http://frigidaire.ca)

FG4H2272U 05/20  
 © 2018 Electrolux Home Products, Inc.



**"Built-In Look"  
 Cutout Dimensions**  
 (A) 70 3/8" (B) 36" (C) 25"

PV-40 <sup>AW</sup>  
 Feb. 23, 2021

**INSTALLATION SPECIFICATIONS**

- Product Shipping Weight (approx.) - 340 Lbs.
- Voltage Rating - 120V/60 Hz/15 Amps
- Connected Load (kW Rating) @ 120 Volts = 1.14 kW (For use on adequately wired 120V, dedicated circuit having 2-wire service with a separate ground wire. Appliance must be grounded for safe operation.)
- Amps @ 120 Volts = 9.5 Amps
- Always consult local and national electric & plumbing codes.
- Floor should be level surface of hard material, capable of supporting fully loaded refrigerator.
- When installing refrigerator adjacent to wall, cabinet or other appliance that extends beyond front edge of unit, 20" minimum clearance recommended to allow for optimum 120° door swing, providing complete drawer/crisper access and removal. (Absolute 4-1/2" minimum clearance will ONLY allow for 90° door swing which will provide drawer/crisper access with restricted removal.)
- To ensure optimum performance, avoid installing in direct sunlight or close proximity to range, dishwasher or other heat source.

- Recess electrical outlet when possible.
- Water recess on rear wall recommended to prevent water line damage.
- Water Pressure - Cold water line must provide between 30 and 100 pounds per square inch (psi).
- Copper tubing with 1/4" O.D. recommended for water supply line with length equal to distance from rear of unit to household water supply line plus 7 additional feet. Optional Water Supply Installation Kits available.
- Adjustable front rollers to assist with door alignment.

**"BUILT-IN LOOK" SPECIFICATIONS**

- Minimum opening of 70-3/8"H x 36"W x 25"D required to allow for ease of installation, proper air circulation, and plumbing/electrical connections.
- Remove all wall/floor molding prior to installation.



*Note: For planning purposes only. Always consult local and national electric, gas and plumbing codes. Refer to Product Installation Guide for detailed installation instructions on the web at [frigidaire.com](http://frigidaire.com) / [frigidaire.ca](http://frigidaire.ca). Specifications subject to change. Accessories information available on the web at [frigidaire.com](http://frigidaire.com) / [frigidaire.ca](http://frigidaire.ca)*

stainless



Feb 18 2021

**KitchenAid**

# 46 dBA\* Front Control Dishwasher

KDFE104H



Stainless Steel with PrintShield™ Finish  
KDFE104HPS

### Also available in:

- White **KDFE104HWH**
- Black **KDFE104HBL**
- Black Stainless Steel with PrintShield™ Finish **KDFE104HBS**

### Key Features & Benefits

- PrintShield™ Finish**  
Resists smudges and fingerprints. The specialized coating for stainless steel is easy to clean with just water and a soft cloth, so you can spend more time cooking and less time cleaning up the kitchen.
- ProWash™ Cycle**  
Determines the ideal cycle for washing dishes based on soil level and then makes real-time adjustments to achieve the best cleaning performance.
- Durable Stainless Steel Interior**  
Offers the beauty and benefits of stainless steel for the dishwasher interior. It resists streaks, stains and odors while retaining heat to help improve drying performance.

### Capacity

Total Place Settings 14

### General Features & Properties

- Heat Dry Option
- SatinGlide® Max Rails (Upper Rack)
- Fold-Down Shelf with Stemware Holders
- Filter-Based Wash System
- Sani-Rinse Option
- Express Wash Cycle
- Extended Heat Dry Option
- 2-4-8-Hour Delay Wash

### Electrical Details

Amps 15 or 20

Volts 120

Hz 60

### Certifications

ENERGY STAR® Certified Yes

### Technical Details

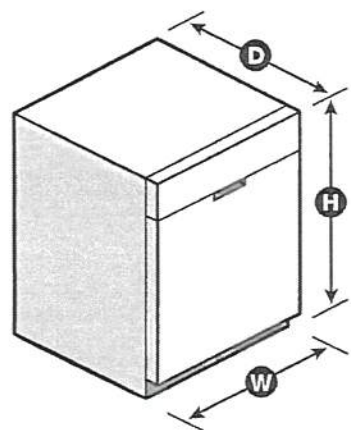
Dishwasher Type	Built-In
Control Location	Front
Control Type	Tap Touch
Number of Wash Cycles	5
Number of Options	6
dBA†	46
Number of Racks	2
Tub Material	Stainless Steel
Wash System	Filter
Wash System Type	Removable Filter
Number of Wash Arms	3

### Dimensions

Product Dimensions (H x W x D)	34-1/2" x 23-7/8" x 24-1/2"
Depth with Door Open 90°	49-1/2"

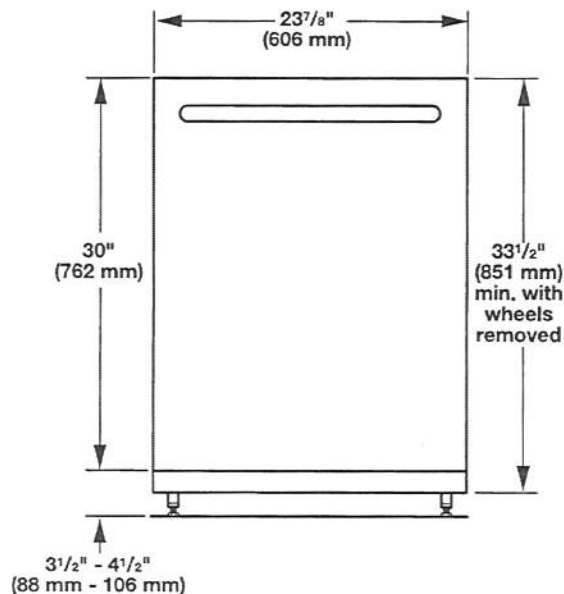
### Reference Material

- [Dimension Guide](#)
- [Install Guide](#)
- [Use & Care Guide](#)
- [Energy Guide](#)
- [Warranty](#)

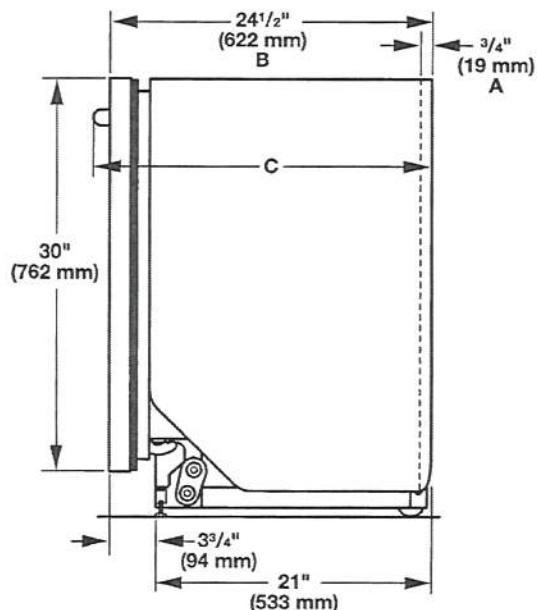


\*Per IEC standards. \*\*Compared to Whirlpool® dishwashers without TotalCoverage spray arm. †Compared to Normal cycle with lightly soiled loads.  
NOTE: Dimensions are for planning purposes only. For complete details, see Installation Instructions packed with product. Specifications subject to change without notice.

Product and Cabinet Opening Dimensions

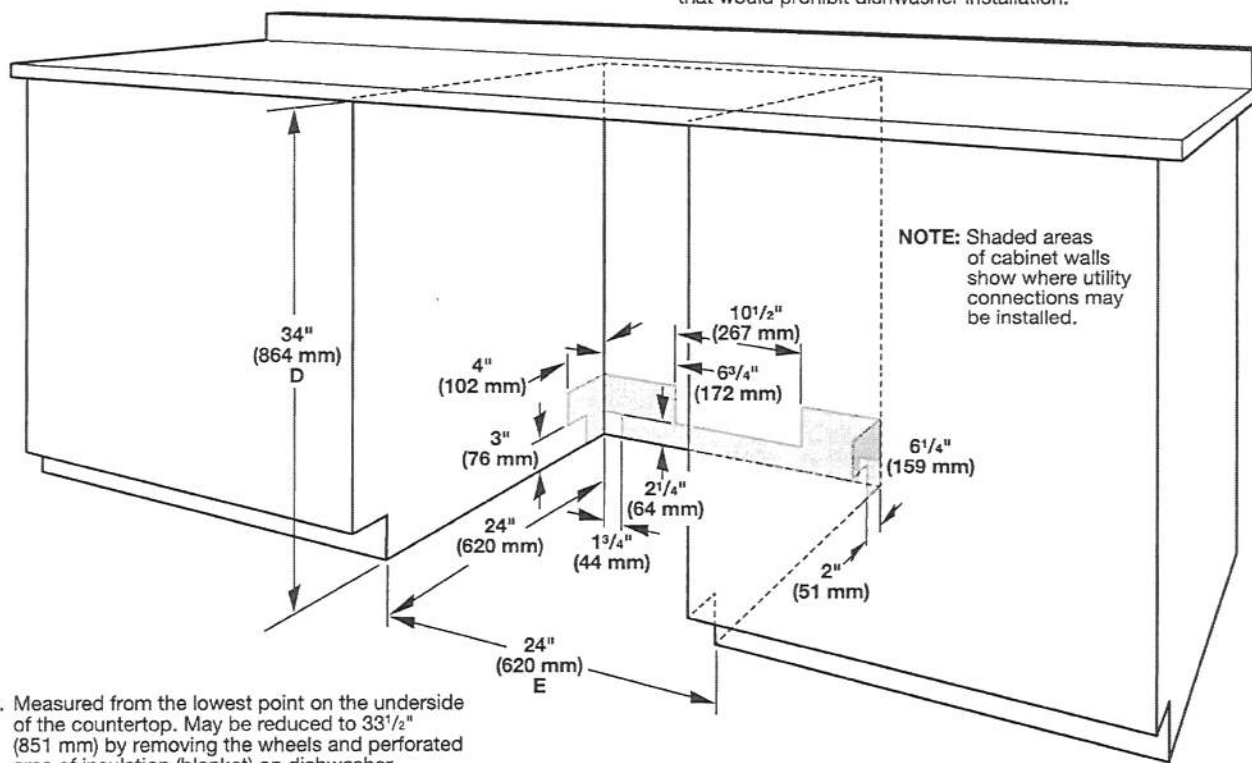


For 4" (100 mm) toe kick, height of cabinet opening is 34<sup>1</sup>/<sub>2</sub>" (863 mm).



- A. Insulation may be compressed (not used on all models).
- B. For panel-ready models, dishwasher depth is 24" (610 mm), not including the 3/4" (19 mm) custom door panel.
- C. Door handles may protrude forward of the face of the dishwasher, varies by model.

Check that all surfaces have no protrusions that would prohibit dishwasher installation.



NOTE: Shaded areas of cabinet walls show where utility connections may be installed.

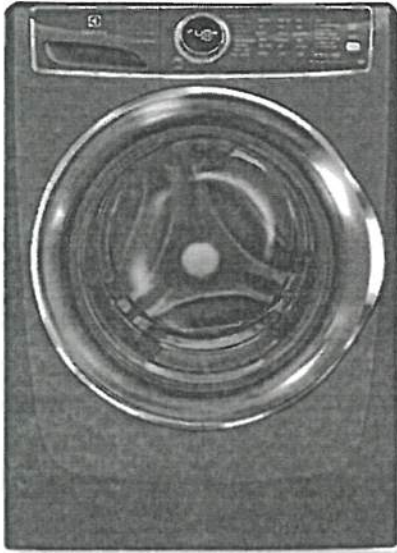
- D. Measured from the lowest point on the underside of the countertop. May be reduced to 33<sup>1</sup>/<sub>2</sub>" (851 mm) by removing the wheels and perforated area of insulation (blanket) on dishwasher.
- E. Minimum, measured from narrowest point of opening

# FRONT LOAD WASHER

5.1 Cu. Ft. I.E.C.

EFLS627U TT / IW

Perfect Steam™ Washer with LuxCare® Wash, SmartBoost™ and IQ-Touch™ Controls



## PRODUCT DIMENSIONS

Height	38"
Width	27"
Depth	32"

## MORE EASY-TO-USE FEATURES

### 15-MINUTE FAST WASH<sup>1</sup>

Quickly deep cleans the items you need most.

### SOLID SOIL LEVEL CLEANS CAKED-ON STAINS

The solid soil level gives you a deeper clean to get rid of those tough stains that get caked on, like mud or dirt.

### SANITIZE OPTION

Certified to kill and remove 99% of bacteria and 95% of allergens.<sup>2</sup>

### STAINSOAK™ OPTION ELIMINATES PRE-TREAT

Unlike other washers, it starts by premixing water, detergent, and stain remover before the cycle begins to create a powerful, yet gentle cleaning solution. Then, the temperature, tumbling actions, and time are optimized based on the stain you select.

### ENERGY STAR®-CERTIFIED

Electrolux washers meet strict criteria to guarantee high-quality energy efficient performance — without sacrificing clean.

### ACTIVEWEAR CYCLE

Takes care of delicate and expensive activewear garments.

### 10-YEAR MOTOR WARRANTY PLUS LIFETIME TUB WARRANTY

Rest easy knowing your washer is backed by a 10-year motor and lifetime tub warranty.

### PERFECT BALANCE® SYSTEM & SECOND FLOOR GUARANTEE

Balances loads for smooth, quiet operation. So quiet you can even run your washer on the second floor or near bedrooms without noticing it.<sup>3</sup>

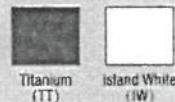
### FITS MORE ROOMS WITH REVERSIBLE WASHER DOOR

With reversible washer door, four-way venting, and a standard 27" platform, our products are designed to fit just about anywhere you want to put them.

### EXTRA LARGE CAPACITY

Easily cleans a king-sized comforter with extra large 5.1 cu. ft. drum.

Available in:



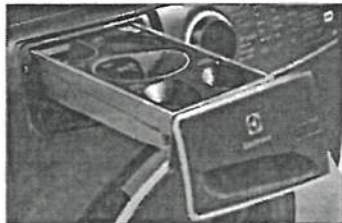
<sup>1</sup>Fast load based on 1 lb. DGE load.  
<sup>2</sup>Our products meet the NSF® testing standards.  
<sup>3</sup>As tested on conventional wood floor construction with vinyl floor covering.

## SIGNATURE FEATURES



### THE MOST EFFECTIVE STAIN-REMOVING WASHER WITH SMARTBOOST™

Unlike other washers, our washer with SmartBoost™ premixes water and detergent before the cycle begins, maximizing the cleaning power of the detergent.



### WORLD'S 1<sup>ST</sup> ADAPTIVE DISPENSER™ DESIGNED TO ACCEPT PODS®

Get the ultimate clean no matter what type of detergent you prefer with the Adaptive Dispenser™.



### PERFECT STEAM™ REMOVES TOUGH STAINS

Unlike many washers, our Perfect Steam™ rises from the bottom, gently lifting dirt and stains from fibers.



### THOROUGH CLEANING WITH THE LUXCARE® WASH SYSTEM

Our LuxCare® Wash System offers a thorough clean with improved wash actions, temperature control, and smart load sensing.

PV-40 (AY) ○  
 Feb. 23, 2021

# FRONT LOAD WASHER

EFLS627U TT/IW



## 27" FRONT LOAD WASHER

Capacity I.E.C. 5.1 Cu Ft.

### FEATURES

Pull-to-Open Door	Yes
IO-Touch™ Controls	Yes
Perfect Steam™ Wash System	Yes
Balance System	Perfect Balance®
Sound System	Luxury-Quiet™
Lighting	Luxury-Design®
Adaptive Dispenser™	Yes
Wash System	LuxCare®
Integral Water Heater	Yes
Wash Drum	Stainless Steel
Automatic Temperature Control	Yes
Automatic Water Level Adjustment	Yes
Auto Prewash Detergent Dispenser (Liquid/Powder)	Yes
Auto Bleach Dispenser (Liquid Only)	Yes
Auto Detergent Dispenser (Liquid/Powder/PDDS*)	Yes
Auto Fabric Softener Dispenser (Liquid Only)	Yes
Turntable Speed (RPM)	Variable
Spin Speed (RPM)	1,300
Reversible Door	Yes
Adjustable Leveling Legs	Yes
ENERGY STAR®	Yes
NSF® Certified/Sanitize	Yes

### CYCLES

Heavy Duty, Whitest Whites, Normal, Activewear, Colours, 15-Min. Fast Wash, Delicates, Rinse & Spin, Clean Washer	9
---	---

### OPTIONS

Wash/Rinse Temperature Combinations	7
Temperature Selections	5
Add Steam	Yes
Spin Speed Selections	5
Soil Level Selections	5
Delay Start	Yes
End-of-Cycle Chime	On/Off

### INSTALLATION OPTIONS

Freestanding, Under Counter*, Stacked (Under Dryer), Pedestal, Hidden (in Closet), Second Floor	Yes
---	-----

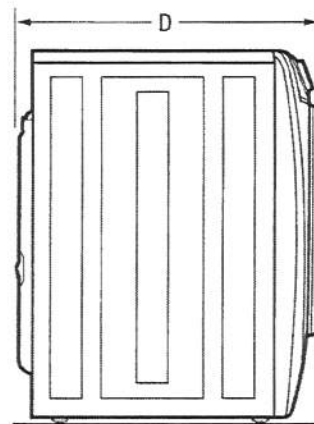
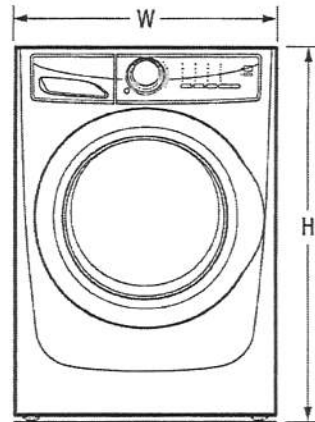
### ACCESSORIES

Luxury-Glide® Pedestal with Spacious Storage Drawer - Titanium - PN # EPWD257U1T	Optional
Island White - PN # EPWD257U1W	Optional
Dryer Stacking Kit - PN # STACKIT7X	Optional
Drain Hose Extension Kit - PN # 137098000	Optional

### SPECIFICATIONS

Colour -	
Titanium	TT
Island White	IW
Power Supply Location	Top Right Rear
Water Inlet Location	Top Left Rear
Voltage Rating	120V/60Hz
Connected Load (kW Rating) @ 120 Volts†	1.2
Watts @ 120 Volts	1,200
Amps @ 120 Volts	12
Shipping Weight (Approx.)	247 Lbs.

\*Side-by-side into an under-counter installation requires custom-built countertop and/or cabinetry.  
 †An electrical supply with grounded three-prong receptacle is required. The power supply circuit must be installed in accordance with current editions of National Electrical Code (NEC) and local codes & ordinances.  
 NOTE: Always check local and national electrical and plumbing codes. Refer to Product Installation Guide for detailed installation instructions on the web at [electroluxappliances.ca](http://electroluxappliances.ca).  
 Specifications subject to change.



### PRODUCT DIMENSIONS

Height (without 15" Pedestal)	38"
(with 15" Pedestal)	53-1/4"
Width	27"
Depth (to Centre of Arc, Not Including Hose)	32"
(with Door 90° Open)	50-5/8"

PV-40 (AP) ○  
 Feb. 23, 2021

Electrolux Major Appliances, N.A.

CANADA • 5855 Terry Fox Way • Mississauga, ON L5V 3E4 • 1-800-265-8352 • [electroluxappliances.ca](http://electroluxappliances.ca)

EFLS627U 05/18

© 2018 Electrolux Major Appliances, N.A.

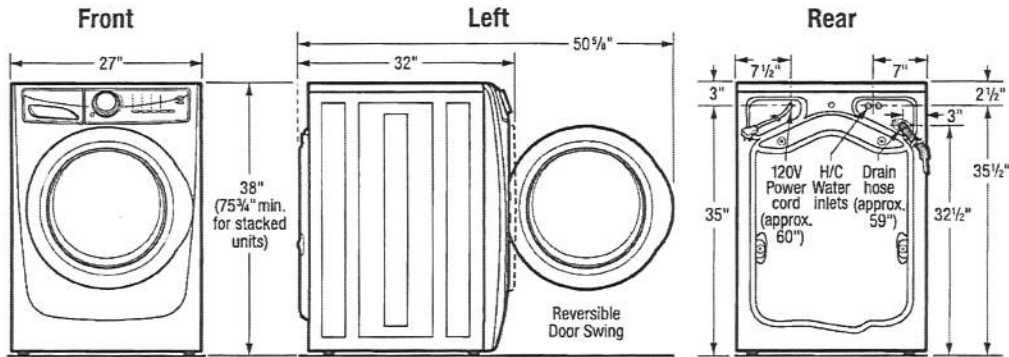


High standards of quality at Electrolux Home Products, Inc. mean we are constantly working to improve our products. We reserve the right to change specifications or discontinue models without notice.

Printed in Canada

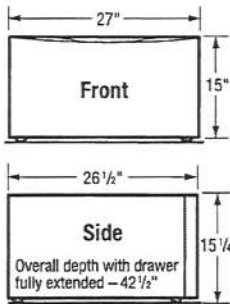
# FRONT LOAD WASHER

EFLS627U TT / IW

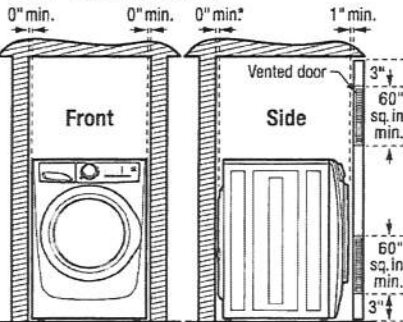


## 15" Pedestal Drawer Installation

Elevates washer height to 53 1/4". For detailed pedestal installation, refer to instructions included with pedestal or on web. Pedestal installation may require modified utility hookup locations. For details, refer to Product Installation Guide on web.



## Built-In Installations



\*Installation with steam dryer requires additional 3/4" hose clearance.

**Closet Installation:**  
If washer and dryer are installed in same closet, door(s) MUST be vented with 120 sq. in. minimum louvered opening, equally divided, located 3" from top and bottom of door. Louvered door(s) with equivalent air openings for full-length of door is acceptable. Air openings MUST remain unobstructed with door(s) installed.

## Installation Clearances:

Washer can be built in alone or with dryer (side by side or stacked) in closet, recess or under counter installation with 0" minimum clearance required around sides and back of unit(s). To achieve 0" minimum rear clearance when installed with dryer, dryer MUST be vented straight back or with quick-turn 90° elbow. Steam dryer requires additional 3/4" steam hose clearance at back of unit(s). Installation of closet door(s) requires additional 1" minimum clearance between front of unit(s) and door(s). Location of plumbing, exhaust and utility hookups MUST be considered when planning any built-in installation. For additional installation details, refer to Product Installation Guides on web.

## Under Counter Installation:

Installation of washer alone or side by side with dryer under counter, requires custom-built countertop and/or cabinetry to accommodate unit(s) height.

## Stacking Units:

Stacking dryer above washer requires use of optional Stacking Kit (PN# STACKIT7X) with modified utility hookup locations for dryer. For complete installation details, refer to instructions included with Stacking Kit or on web.

## Front Load Washer Specifications

- Product Weight – 237 Lbs. / Shipping Weight – 247 Lbs.
- An electrical supply with grounded three-prong receptacle is required. The power supply circuit must be installed in accordance with current edition of National Electrical Code (ANSI/NFPA 70) and local codes & ordinances. (Do not use same circuit as dryer.)
- Voltage Rating – 120V/60Hz
- Connected Load (kW Rating) @ 120 Volts = 1.2 kW
- Amps @ 120V = 12A
- Equipped with 120V 3-wire power supply cord, approx. 60" long.
- Always consult local and national electric & plumbing codes.
- To maximize detergent effectiveness, ambient temperature should never be below 60°F.
- Can be installed alone, with or without optional 15" pedestal drawer, or stacked beneath matching Electrolux Dryer, which requires installation of optional dryer stacking kit. (For installation details, refer to instructions included with optional pedestal or stacking kit or on web.)
- Can be built in alone or with matching Electrolux Dryer (side by side or stacked) in closet, recess or under counter installation with 0" minimum clearance required around sides and back of unit(s). To achieve 0" minimum rear clearance when installed with dryer, dryer MUST be vented straight back or with quick-turn 90° elbow. Steam dryer requires additional 3/4" steam hose clearance at back of unit(s). Installation of closet door(s) requires additional 1" minimum clearance between front of unit(s) and door(s). Location of plumbing, exhaust and utility hookups MUST be considered when planning any built-in installation.
- Under-counter installation requires custom-built countertop and/or cabinetry to accommodate unit(s) height.

- Do NOT install in area exposed to dripping water or outdoor weather conditions, or where gasoline or other flammables, including automobiles, are kept or stored.
- For garage installation, washer MUST be located minimum 18" above floor.
- Floor MUST be solid with 1" maximum slope. To ensure vibration or movement does not occur, reinforcement of floor may be necessary. Do NOT install on carpeted surface.
- Leveling legs supplied to level washer properly and reduce excessive noise and vibration.
- H/C water faucets MUST be installed within 42" of washer's water inlet and MUST be 3/4" garden hose type, to connect to 48-1/2" inlet hoses.
- Water pressure MUST be between 20 and 120 psi with NOT more than 10 psi pressure difference between hot and cold.
- Drain required with standpipe diameter of 1-1/4" min. and height of 24" min./96" max. above floor, capable of eliminating 17 gallons per minute. Attached 59" drain hose can reach 79"-high standpipe.

**Note:** For planning purposes only. Refer to Product Installation Guide on the web at [electroluxappliances.ca](http://electroluxappliances.ca) for detailed instructions.

## Optional Accessories

- Pedestal Drawers – Titanium (PN# EPWD257UTT), Island White (PN# EPWD257UIW).
- Dryer Stacking Kit – (PN# STACKIT7X).
- Drain Hose Extension Kit – (PN# 137098000).

## Electrolux Major Appliances, N.A.

CANADA • 5855 Terry Fox Way • Mississauga, ON L5V 3E4 • 1-800-265-8352 • [electroluxappliances.ca](http://electroluxappliances.ca)

EFLS627U 05/18

© 2018 Electrolux Major Appliances, N.A.



High standards of quality at Electrolux Home Products, Inc. mean we are constantly working to improve our products. We reserve the right to change specifications or discontinue models without notice.

Printed in Canada

PV-40 (AP) ○  
Feb. 23, 2021



# ELECTRIC FRONT LOAD DRYER

8.0 Cu. Ft.

EFMC627U TT / IW

Perfect Steam™ Dryer with Instant Refresh™ and IQ-Touch™ Controls



## PRODUCT DIMENSIONS

Height	38"
Width	27"
Depth	31-1/2"

## MORE EASY-TO-USE FEATURES

### ENERGY STAR®-CERTIFIED

Rigorously tested to do more with less. Electrolux dryers meet strict criteria to guarantee high-quality energy efficient performance.

### PERFECT STEAM™ WRINKLE RELEASE OPTION

Gently releases wrinkles and reduces static to keep clothes looking their best.

### EXTENDED TUMBLE OPTION KEEPS CLOTHES TANGLE-FREE

Gently tumbles your clothes without heat to keep them tangle-free — perfect for when you cannot remove clothes right after the cycle ends.

### LUXCARE® LINT SHIELD HELPS AVOID MESSAGES

Traps lint so it doesn't make a mess, even if you empty it while there are clothes in the dryer.

### ACTIVWEAR CYCLE

Takes care of delicate and expensive activewear garments.

### EXTRA-LARGE CAPACITY DRYER

Dry more in each load with our 8.0 cu. ft. dryers.

### 9 CYCLES TO CARE FOR EVERY FABRIC

Perfectly dry every item with tailored cycles for towels, allergen, delicates, and more.

### FITS MORE ROOMS WITH REVERSIBLE DOOR

Enjoy easy loading no matter how your washer and dryer are configured.

### OPTIONAL PEDESTALS AND STACKING KIT FOR MORE INSTALLATION OPTIONS

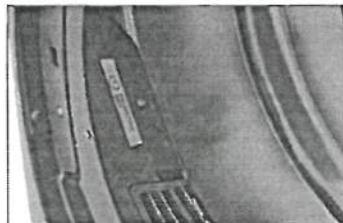
Raise your units with optional pedestal drawers that provide extra storage. Or use the optional stacking kit for convenient placement in small spaces.

## SIGNATURE FEATURES



### PREDICTIVE DRY™ MORE ACCURATELY PREDICTS DRY TIMES

Knows after 90 seconds a more accurate time your clothes will be dried to perfection so you don't have to keep checking on your load.



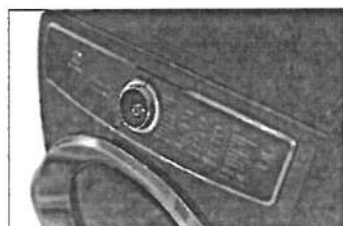
### HELP PREVENT OVER- OR UNDER-DRYING WITH LUXCARE® DRY SYSTEM

A more precise sensor for a better dry to protect your clothes from over-drying, but also to help make sure you don't have wet clothes left in the load.



### INSTANT REFRESH™ CYCLE REVIVES FABRICS

Remove wrinkles and quickly refresh items with steam in 10 minutes.



### 15-MINUTE FAST DRY¹

Quickly dry the items you need most.

Available in:




Titanium (TT)



Island White (IW)

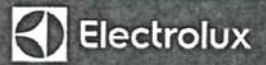
¹Fastest time based on smallest load/Fast Dry cycle selected for various load compositions.

ELECTROLUXAPPLIANCES.CA

PV-40 (AY)   
Feb. 23, 2021

# ELECTRIC FRONT LOAD DRYER

EFMC627U TT/W



## 27" ELECTRIC FRONT LOAD DRYER

Capacity D.O.E. 8.0 Cu. Ft.

### FEATURES

Pull-to-Open Door	Yes
iO-Touch™ Controls	Yes
Perfect Steam™ Dry System	Yes
Dry System	Predictive Dry™
Sound System	Luxury-Quiet™
Lighting	Luxury-Design® LED
Tumble System	Gentle Tumble™
Moisture Sensor	Yes
Dryer Drum	Stainless Steel
Tumble Speed (RPM)	50
Reversible Door	Yes
Adjustable Leveling Legs	Yes
ENERGY STAR®	Yes

### CYCLES

Timed Dry (30, 45, 60, 75), Allergen, Heavy Duty/Towels, Normal, 15-Min. Fast Dry, Activewear, Mixed Load, Delicates, Instant Refresh™ 9

### OPTIONS

Temperature Selections	5
Add Steam	Yes
Electronic Auto Dry System	Yes
Manual Timed Dry Selections	4
Delay Start (Hours)	12
End-of-Cycle Chime	On/Off
Extended Tumble	Yes
Anti-Static	Yes
Line Dry	Yes
Dryness Levels	5

### INSTALLATION OPTIONS

Freestanding, Under Counter*, Stacked (Above Washer), Pedestal, Hidden (In Closet), Second Floor	Yes
4-Way Dryer Venting	Yes

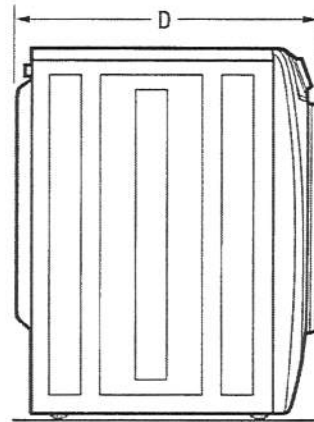
### ACCESSORIES

Luxury-Glide® Pedestal with Spacious Storage Drawer – Titanium – PN# EPWD257UT1	Optional
Island White – PN# EPWD257UIW	Optional
Dryer Stacking Kit – PN# STACKIT7X	Optional
Drying Rack – PN# A04840701	Optional
Assembly Hose Kit – PN# 5304495002	Optional

### SPECIFICATIONS

Colour – Titanium	TT
Island White	IW
Maximum Exhaust Duct Length** (FL)	125
Power Supply Connection Location	Rear
Voltage Rating	240V/60Hz/30A
Connected Load (kW Rating) @ 240 Volts	6.0
Amps @ 240 Volts	25
Heating Element @ 240 Volts (Watts)	5,400
Shipping Weight (Approx.)	140 Lbs.

\*Side-by-Side units in under-counter installation require custom built counter-top bracket assembly.  
 \*\*Rigid metal duct preferred; semi-rigid optional and allow deductions for elbows and vents. Refer to Installation Guide on web for additional information.  
 NOTE: Always consult local and national electric plumbing codes. Refer to Product Installation Guide for detailed installation instructions on the web at [electroluxappliances.ca](http://electroluxappliances.ca).  
 Specifications subject to change.



### PRODUCT DIMENSIONS

Height (without 15" Pedestal)	38"
(with 15" Pedestal)	53-1/4"
Width	27"
Depth (to Centre of Air Not including Hose)	31-1/2"
(with Door 90° Open)	50-5/8"

PV-40 (AP) ○  
 Feb. 23, 2021

Electrolux Major Appliances, N.A.

CANADA • 5855 Terry Fox Way • Mississauga, ON L5V 3E4 • 1-800-265-8352 • [electroluxappliances.ca](http://electroluxappliances.ca)

EFMC627U 05/18

© 2018 Electrolux Major Appliances, N.A.

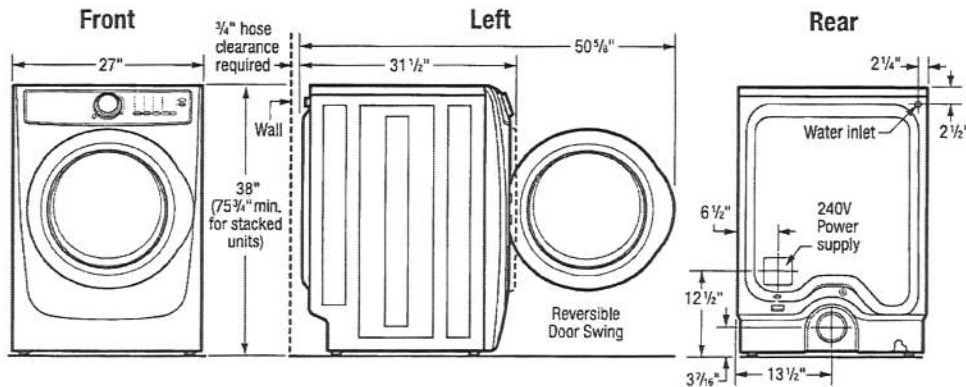


High standards of quality at Electrolux Home Products, Inc. mean we are constantly working to improve our products. We reserve the right to change specifications or discontinue models without notice.

Printed in Canada

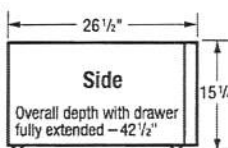
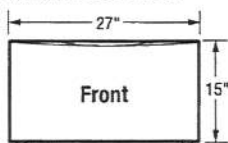
# ELECTRIC FRONT LOAD DRYER

EFMC627U TT / IW

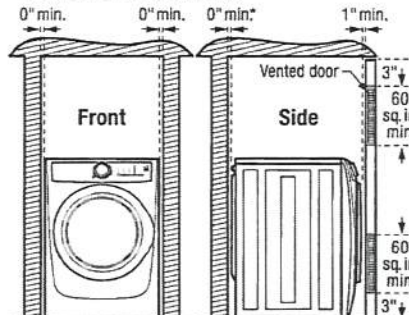


## 15" Pedestal Drawer Installation

Elevates dryer height to 53 1/4". For detailed pedestal installation, refer to instructions included with pedestal or on web. Pedestal installation may require modified utility hookup locations. For details, refer to Product Installation Guide on web.



## Built-In Installations



\*Steam dryer requires additional 3/4" hose clearance.

### Closet Installation:

If washer and dryer are installed in same closet, door(s) MUST be vented with 120 sq. in. minimum louvered opening, equally divided, located 3" from top and bottom of door. Louvered door(s) with equivalent air openings for full-length of door is acceptable. Air openings MUST remain unobstructed with door(s) installed.

### Installation Clearances:

Dryer can be built in alone or with washer (side by side or stacked) in closet, recess or under counter installation with 0" minimum clearance required around sides and back of unit(s). To achieve 0" minimum rear clearance, dryer MUST be vented straight back or with quick-turn 90° elbow. Steam dryer requires additional 3/4" steam hose clearance at back of unit(s). Installation of closet door(s) requires additional 1" minimum clearance between front of unit(s) and door(s). Location of plumbing, exhaust and utility hookups MUST be considered when planning any built-in installation. For additional installation details, refer to Product Installation Guides on web.

### Under Counter Installation:

Installation of dryer alone or side by side with washer under counter, requires custom-built countertop and/or cabinetry to accommodate unit(s) height.

### Stacking Units:

Stacking dryer above washer requires use of optional Stacking Kit (PN# STACKIT7X) with modified utility hookup locations for dryer. For complete installation details, refer to instructions included with Stacking Kit or on web.

## Electric Dryer Specifications

- Product Weight – 130 Lbs. / Shipping Weight – 140 Lbs.
- Voltage Rating – 240/60 Hz / 30A
- Single phase 3- or 4-wire cable, 240 Volt, 60 Hertz AC only electrical supply with ground required on separate circuit fused on both sides of line. (Do not use same circuit as washer.)
- Connected Load (kW Rating) @ 240 Volts = 6.0 kW
- Amps @ 240V = 25A
- Dryer MUST employ a 3-conductor NEMA 10-30 type SRDT or 4-conductor NEMA 14-30 type SRDT or ST (as required), rated at 240 volt AC minimum, 30 amp power supply cord marked for use with clothes dryers (not supplied).
- Grounding through neutral link prohibited in specific applications and certain locales, requiring use of 4-wire system. (For detailed electrical requirements, refer to Product Installation Guide on web.)
- Always consult local and national electric & plumbing codes.
- Can be installed alone, with or without optional 15" pedestal drawer, or stacked above matching Electrolux Washer, which requires installation of optional dryer stacking kit. (For installation details, refer to instructions included with optional pedestal or stacking kit or on web.)
- Can be built in alone or with matching Electrolux Washer (side by side or stacked) in closet, recess or under counter installation with 0" minimum clearance required around sides and back of unit(s). To achieve 0" minimum rear clearance, dryer MUST be vented straight back or with quick-turn 90° elbow. Steam dryer requires additional 3/4" steam hose clearance at back of unit(s). Installation of closet door(s) requires additional 1" minimum clearance between front of unit(s) and door(s). Location of plumbing, exhaust and utility hookups MUST be considered when planning any built-in installation.
- Under-counter installation requires custom-built countertop and/or cabinetry to accommodate unit(s) height.

- Do NOT install in area exposed to dripping water or outdoor weather conditions, or where gasoline or other flammables, including automobiles, are kept or stored.
- For garage installation, dryer MUST be located minimum 18" above floor.
- Floor MUST be solid with 1" maximum slope. To ensure vibration or movement does not occur, reinforcement of floor may be necessary. Do NOT install on carpeted surface.
- Dryer MUST exhaust to outside of building, NOT into any concealed space.
- Dryer equipped for 4-way venting and approved for up to 125-foot-equivalent of duct length, determined by length of run and number of elbows needed.
- Exhaust installation requires minimum 4"-diameter rigid or semi-rigid metal duct with approved, unobstructed vent hood having swing-out damper(s). If installing rigid metal duct (preferred), do not exceed MAXIMUM venting run length of 125 ft., allow deductions for elbows and vents. If installing semi-rigid metal duct, do not exceed MAXIMUM venting run length of 8 ft., always allow deductions for elbows and vents (Refer to Product Installation Guide on web for additional information). Do NOT use flexible plastic or metal foil duct and use shortest run possible.
- Leveling legs supplied to level dryer properly and reduce excessive noise and vibration.
- Water inlet hose for steam setting connects to cold water supply with "Y" connector and requires 3/4" clearance between back of unit and wall.

Note: For planning purposes only. Refer to Product Installation Guide on the web at [electroluxappliances.ca](http://electroluxappliances.ca) for detailed instructions.

## Optional Accessories

- Pedestal Drawers – Titanium (PN# EPWD257UTT), Island White (PN# EPWD257UIW).
- Dryer Stacking Kit – (PN# STACKIT7X).
- Drying Rack – (PN# A04840701).
- Assembly Hose Kit – (PN# 5304495002).



High standards of quality at Electrolux Home Products, Inc. mean we are constantly working to improve our products. We reserve the right to change specifications or discontinue models without notice.

Printed in Canada



## Electrolux Major Appliances, N.A.

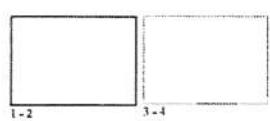
CANADA • 5855 Terry Fox Way • Mississauga, ON L5V 3E4 • 1-800-265-8352 • [electroluxappliances.ca](http://electroluxappliances.ca)

EFMC627U 05/18

© 2018 Electrolux Major Appliances, N.A.

PV-40 ○○  
Feb. 23, 2021

PV-40 (AP)    
 Feb. 23, 2021



12

**WARRANTY INFORMATION**



**Signature Features**

- Air Fry**
  - The ideal way to cook healthier fried food as it eliminates excess fat, but everything is still crispy and brown outside and juicy inside.
- Wi-Fi Connectivity**
  - Monitor and control the oven using the SmartThings App! And control the oven with your voice using a voice assistant! Such as Samsung Bixby®, Amazon Alexa or Google Assistant.
- True Convection**
  - A heated fan circulates heat all around the oven and keeps the temperature constant so dishes are cooked quickly and thoroughly.
- Powerful, Flexible Cooktop**
  - Cook fast with 3 specialized burners, a 10K BTU Power Burner and one 1K burner.
- Fingerprint Resistant Finish**
  - Prevent surfaces from being covered in smudges, fingerprints or marks and splatters.

**Available Colours**

-  Fingerprint Resistant Stainless Steel (shown)
-  Fingerprint Resistant Black Stainless Steel



**Features**

- Air Fry with included Air Fry Rack
- True Convection
- Wi-Fi Connectivity
- Direct Proof 90°F (35°C)
- Voice Control
- Flexible Cooktop
- Fingerprint Resistant Finish

- Large Capacity - 8.0 Cu. Ft.
- 5 Gas Burners
- 1K Burner
- Wide View Window
- Aluminum Griddle
- Storage Drawer

**Convenience**

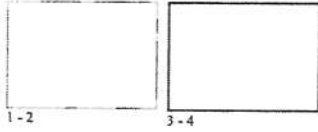
- Self Clean
- 2 Chrome Racks
- Auto Oven Light
- Sabbath Mode
- Kitchen Timer
- Delay Start
- Auto Shut-Off Option
- Child Safety Lock

Available in select markets. Wi-Fi connectivity and voice control are required.  
 © 2021 Samsung Electronics America, Inc. All rights reserved. Samsung is a registered trademark of Samsung Electronics America, Inc. All other trademarks are the property of their respective owners.

PR-40

Feb. 23, 2021

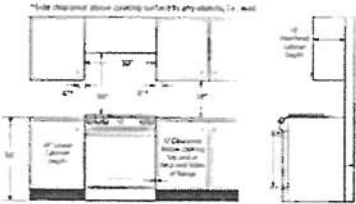
AP



Slide-In Range

Installation Specifications

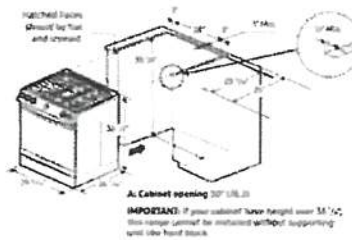
**BEFORE YOU BEGIN** to install this appliance, refer to the following information, dimensions, and clearances. **Do not locate the range where it may be subject to strong drafts.** Provide adequate clearances between the range and adjacent combustible surfaces. These dimensions must be strict for safe use of the range. The location of the electrical outlet and gas piping may be adjusted to meet the following dimensions and clearances. **For installation in Canada, a free-standing range is not to be installed closer than 4.7 in (12 cm) from any adjacent surface.**



Dimensions

**CAUTION:** This range has been designed to comply with the maximum allowable wood cabinet temperature of 194 °F (90 °C). Make sure the wall covering, countertops, and cabinets around the range can withstand the heat up to 194 °F (90 °C) generated by the range. If not, discoloration, delamination, or melting may occur.

SLIDE-IN CUTOUT



Actual colour may vary. Design, specifications and prices are subject to change without notice. Dimensions, weight and measurements are approximate. © 2010 Samsung Electronics Canada Inc. All rights reserved. Samsung is a registered trademark of Samsung Electronics Co., Ltd. used with permission.

Total Power

18.5K BTU

Power Source

120V/60Hz/40A

5-Burner Cooktop

- Right Front: 18K BTU
- Left Front: 18K BTU
- Right Rear: 9.5K BTU
- Left Rear: 9.5K BTU
- Centre (Oval): 10K BTU

Oven: 6.0 cu. ft. Capacity

- Bake: 175°F-550°F
- Bake Burner: 18K BTU
- Broil Burner: 16.5K BTU
- Variable Broil: Low/High (375°F-480°F)
- Sabbath Mode

Storage Drawer

- Capacity: 1.0 cu. ft.

Warranty

One (1) Year Parts and Labour

Product Dimensions & Weight (WxHxD)

Outside Net Dimensions: 29 1/2" x 36 1/2" x 28 1/2"

Weight: 208.1 lbs (94.4 Kg)

Shipping Dimensions & Weight (WxHxD)

Dimensions: 35 1/2" x 41 1/2" x 50 1/2"

Weight: 233.7 lbs (106.1 Kg)

Colour

Stainless Steel  
Black Stainless Steel

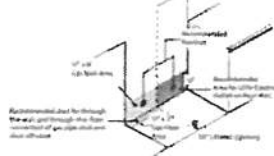
Model #

NR60T881TSS  
NR60T881TSG

UPC Code

987276609245  
987276609238

Recommended Locations for Gas Piping and Electrical Outlets



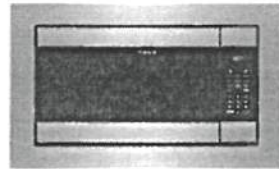
PV-40 (AP)  
 Feb. 23, 2021



CGMO226NUF

MICROWAVE  
 24" BUILT-IN

Smudge-Proof™  
 Stainless Steel



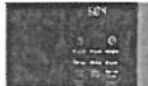
AVAILABLE COLOURS



SIGNATURE FEATURES



**Auto Menu™ Temperature**  
 Cooks every temperature precisely  
 1/2 in. 1/4 of cooking water.



**Soymilk Cooking Options**  
 Microwave automatically adjusts power  
 level and cooking time to cook in variety  
 of Soymilk alternatives.



**Lower 50° Steaming Lightness**  
 Lighter steaming settings cut down heat  
 content to help maintain natural nutrients  
 and texture.



**Low-50° Steaming**  
 Low-50° Steaming options maximize  
 the health benefits of low-heat cooking  
 conditions. Microwave 50° Steaming to maintain  
 the health of a diet.

PRODUCT DIMENSIONS

Height	22 1/2"
Width	24 1/2"
Depth	16 1/2"

MORE EASY-TO-USE FEATURES

**Smudge-Proof™ Stainless Steel**  
 Resists fingerprints and stains easily.

**Effortless™ Control**  
 Makes entering anything in the touch  
 of a button.

**Built-In Touch KE**  
 Compact design fits seamlessly in cabinet and looks  
 like a real oven control panel.

10/20/2018

