

Brampton Encore - 35R - 2 - 28-7 Elev.D Wagner

CENTRAL VAC AND WIRING

Inv.1,583	1 - FAMILY ROOM / MASTER BEDROOM / BEDROOM 3 / BEDROOM 4 : CAT 6 WIRING - UPGRADE AN OUTLET TO CAT 6- SEE PLAN FOR LOCATION
Line24195	Note: PACKAGE OF 4 FOR PRICE OF 3
26Sep17 / 28Nov17	

Inv.1,583	1 - FAMILY ROOM: CONDUIT PIPE- FOR TELEVISION- LOCATE APPROX. 66" A.F.F. ABOVE FIREPLACE, TERMINATING BY CABLE. SEE PLAN FOR LOCATION
Line24197	Note:
26Sep17 / 28Nov17	

CONCRETE AND DRAIN

Inv.1,583	1 - BASEMENT: ROUGH-IN - 3PC BASEMENT ROUGH-IN
Line24204	Note:
26Sep17 / 28Nov17	

Inv.1,583	1 - BASEMENT: BACK-FLOW PREVENTER VALVE
Line24208	Note:
26Sep17 / 28Nov17	

ELECTRICAL

Inv.1,583	1 - FAMILY ROOM: 110V WALL RECEPTACLE ON NORMAL CIRCUIT- LOCATE ABOVE FIREPLACE, APPROX. 66" A.F.F.
Line24196	Note:
26Sep17 / 28Nov17	

Inv.1,583	1 - KITCHEN: *IN ADDITION TO BUILDER'S STANDARD CEILING LIGHT*, ROUGH - IN CEILING 2 OUTLETS ON SAME SWITCH - DOES NOT INCLUDE FIXTURE & 1 SWITCH. LOCATE ABOVE ISLAND, SEE PLAN FOR LOCATION
Line24198	Note:
26Sep17 / 28Nov17	

Inv.1,583	6 - FAMILY ROOM: POT LIGHT: 4 INCH HALOGEN POT LIGHT - 440 WH- PRICED PER LIGHT- 1-9 POTLIGHTS SEE PLAN FOR LOCATION
Line24199	Note:
26Sep17 / 28Nov17	

Inv.1,583	1 - FAMILY ROOM: SINGLE POLE SWITCH FOR POTLIGHTS
Line24200	Note:
26Sep17 / 28Nov17	

Inv.1,583	1 - KITCHEN: 240V/40A WALL RECEPTICAL ON DEDICATED CIRCUIT- FOR 4 WIRE BUILT-IN WALL OVEN - SEE PLAN FOR LOCATION
Line24203	Note:
26Sep17 / 28Nov17	

Inv.1,583	1 - KITCHEN: GAS LINE ROUGH - GROUND FLOOR COMPLETE WITH 110v ELECTRICAL
Line24852	Note:
26Sep17 / 28Nov17	

Exterior Colours

Inv.1,583	1 - EXTERIOR COLOUR PACKAGE #6
Line24857	Note:
26Sep17 / 28Nov17	

FRAMING

Brampton Encore - 35R - 2 - 28-7 Elev.D Wagner

Inv.1,583	1 - KITCHEN: UPGRADE VENTING FOR STOVE TO 10" PIPE EXTERIOR WALL
Line24853	Note:
26Sep17 / 28Nov17	

Inv.1,583	1 - MAIN FLOOR:STANDARD DOOR EXTENDED HEIGHT 96" (PRICE PER DOOR)- GROUND FLOOR 2 STOREY MODELS
Line24854	Note:
26Sep17 / 28Nov17	

Inv.1,583	1 - MAIN FLOOR: EXTENDED HEIGHT ARCHWAY 96" (PRICE PER DOORWAY) - SEE PLAN FOR LOCATION
Line24855	Note:
26Sep17 / 28Nov17	

Inv.1,583	1 - MANDOOR- ROUGH-IN ONLY GRADE DOESN'T PERMIT
Line24856	Note:
26Sep17 / 28Nov17	

HVAC

Inv.1,583	1 - KITCHEN: GAS LINE ROUGH - GROUND FLOOR COMPLETE WITH 110v ELECTRICAL
Line24201	Note:
26Sep17 / 28Nov17	

Inv.1,583	1 - KITCHEN: UPGRADE VENTING FOR STOVE TO 10" PIPE EXTERIOR WALL
Line24202	Note:
26Sep17 / 28Nov17	

INTERIOR TRIM AND DOORS

Inv.1,583	4 - MAIN FLOOR:STANDARD DOOR EXTENDED HEIGHT 96" (PRICE PER DOOR)- GROUND FLOOR 2 STOREY MODELS
Line24205	Note:
26Sep17 / 28Nov17	

Inv.1,583	2 - MAIN FLOOR: EXTENDED HEIGHT ARCHWAY 96" (PRICE PER DOORWAY) - SEE PLAN FOR LOCATION
Line24206	Note:
26Sep17 / 28Nov17	

MISC.

Inv.1,583	1 - Purchaser has attended a Structural appointment at the Decor Centre & has DECLINED any additional upgrades and accepts and acknowledges that there will be no further structural changes/additions/deletions to be made upon signing on September 26, 2017.
Line24209	Note:
26Sep17 / 28Nov17	

Inv.1,583	1 - Purchasers are aware & accepts that ANY changes made to upgrades after signing this Purchasers Extra Form are subject to a minimum administration fee of \$500. PLUS a 10% holdback fee.
Line24210	Note:
26Sep17 / 28Nov17	

Inv.1,583	1 - BONUS PACKAGE: \$5,000.00 (INCLUDING TAXES) WORTH OF UPGRADES FROM GOLD PARK HOMES DÉCOR CENTRE IS BEING APPLIED TOWARD THE STRUCTURAL APPOINTMENT. PURCHASER HAS A REMAINING AMOUNT OF \$00 (INCLUDING TAXES) TO BE USED TOWARD THE COLOUR APPOINTMENT.
Line24211	Note:
26Sep17 / 28Nov17	

Brampton Encore - 35R - 2 - 28-7 Elev.D Wagner

Inv.1,583	1 - KITCHEN - Purchaser accepts & acknowledges that in order to either complete or install built-in appliances and accommodate for cook-top, all appliance specifications must be provided to the Décor Center within one (1) week of Structural Appointment
Line24212	Note:
26Sep17 / 28Nov17	

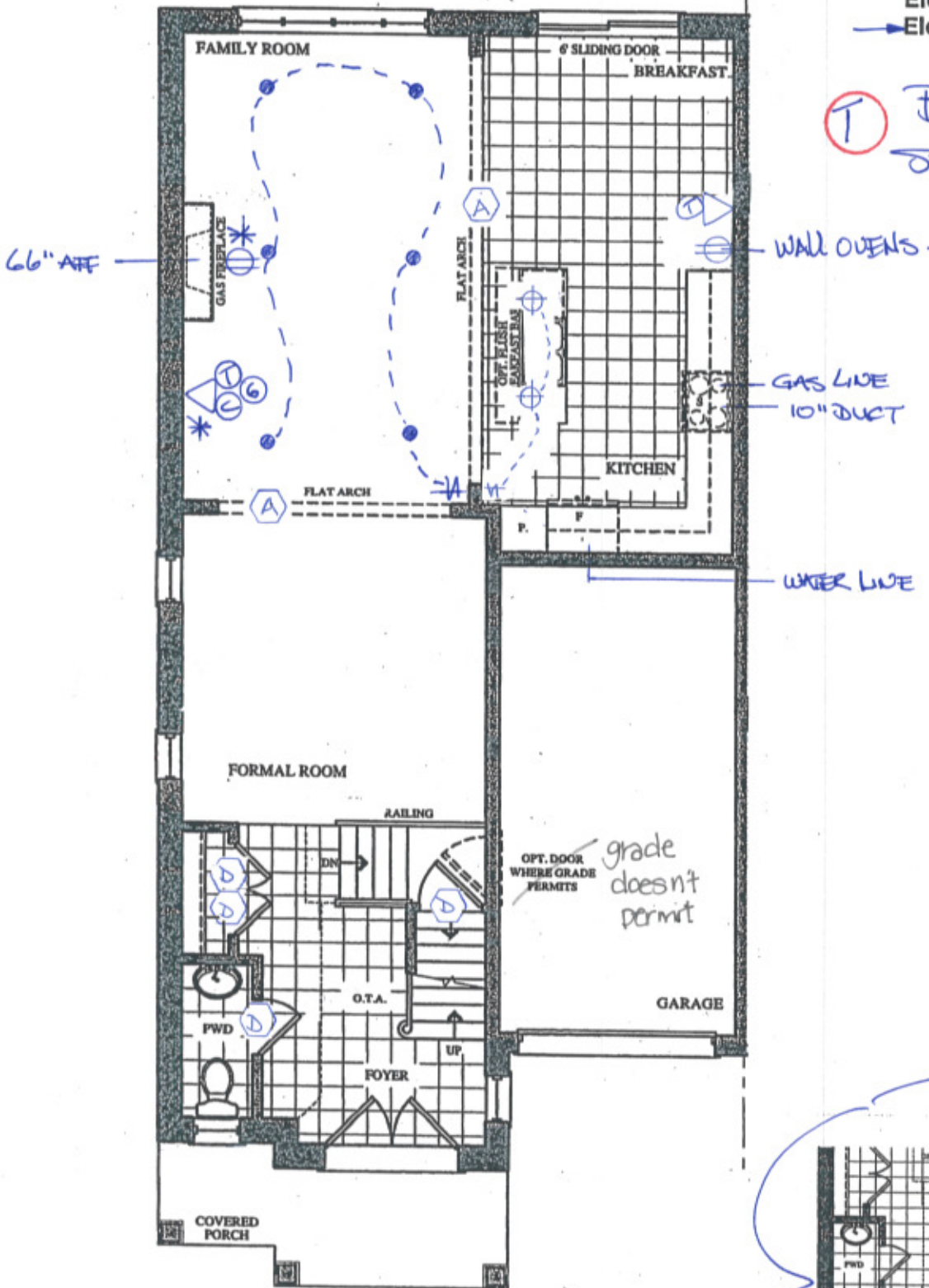
PLUMBING

Inv.1,583	1 - KITCHEN: ROUGH-IN - WATERLINE FOR FRIDGE
Line24207	Note:
26Sep17 / 28Nov17	

The Wagner SEMI SERIES

Elevation A • 2,127 sq.ft.
 Elevation B • 2,117 sq.ft.
 Elevation C • 2,127 sq.ft.
 Elevation D • 2,127 sq.ft.

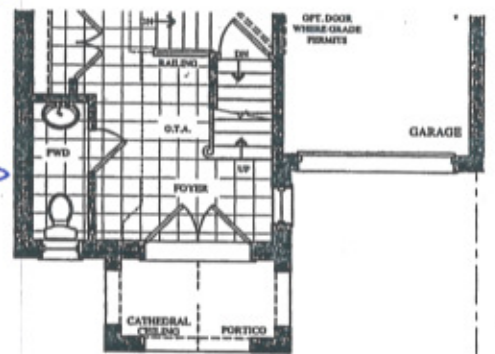
Ⓟ BE2-35R
 SEPT. 26 2017



LEGEND

- Ⓟ PHONE
- Ⓞ CABLE
- ⊕ CAPPED CEILING R/IN
- Ⓢ SWITCH
- Ⓞ CAT 6
- POTLIGHT
- ⓐ - 96" ARCH
- ⓓ - 96" DOOR

~~GROUND FLOOR PLAN
 ELEV. 'A' & 'B'~~

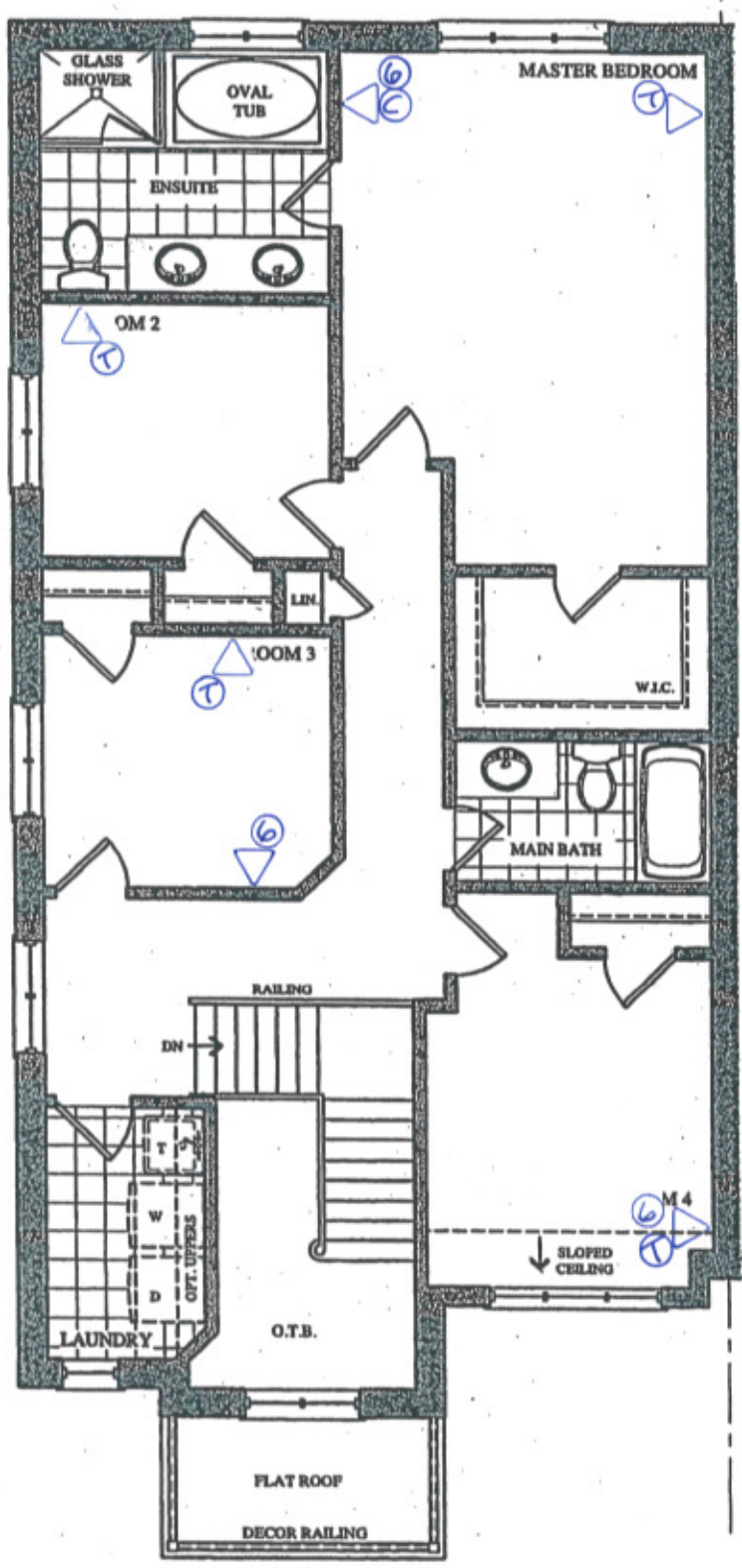


PART. GROUND FLOOR PLAN
 ELEV. 'C' & 'D'

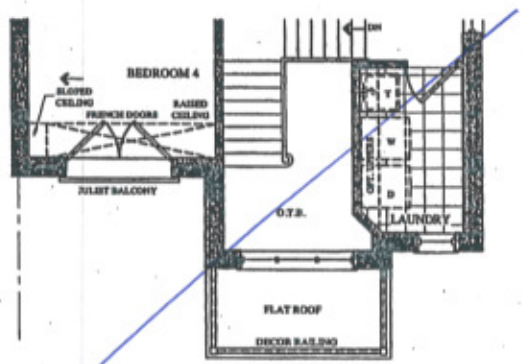
REV-35R
 SEPT 26 2017

The Wagner SEMI SERIES

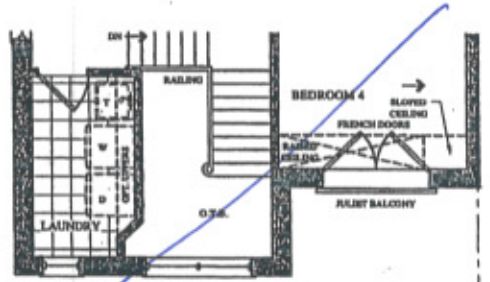
Elevation A • 2,127 sq.ft.
 Elevation B • 2,117 sq.ft.
 Elevation C • 2,127 sq.ft.
 Elevation D • 2,127 sq.ft.



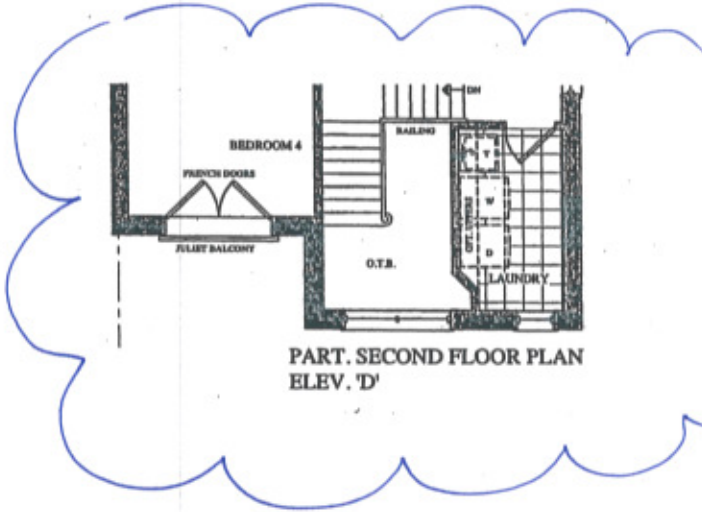
SECOND FLOOR PLAN
 ELEV. 'A'



PART. SECOND FLOOR PLAN
 ELEV. 'B'



PART. SECOND FLOOR PLAN
 ELEV. 'C'



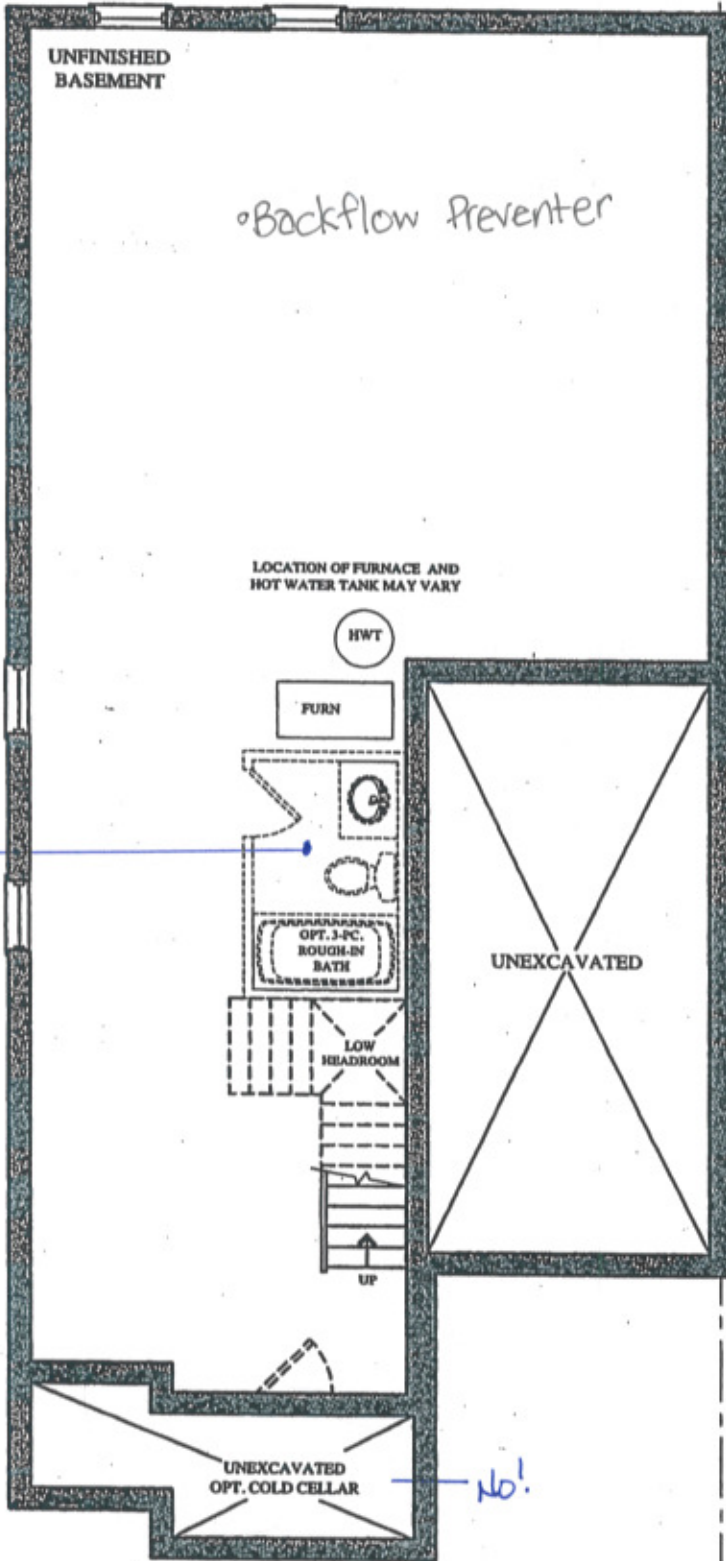
PART. SECOND FLOOR PLAN
 ELEV. 'D'

The Wagner SEMI SERIES

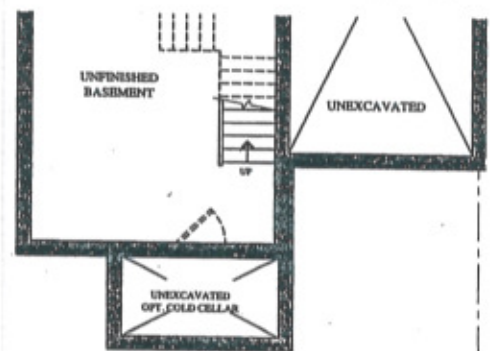
Elevation A • 2,127 sq.ft.
 Elevation B • 2,117 sq.ft.
 Elevation C • 2,127 sq.ft.
 Elevation D • 2,127 sq.ft.



BE2-35R
 SEPT. 26 2017



~~BASEMENT FLOOR PLAN
 ELEV. 'A' & 'B'~~



PART. BASEMENT FLOOR PLAN
 ELEV. 'C' & 'D'

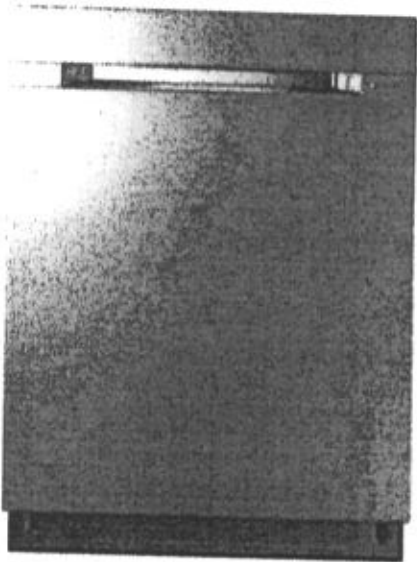
BE2-35R.

DW80M9960

Samsung WaterWall™ Dishwasher

SAMSUNG

DW80M9960UG



Signature Features

WaterWall™ Linear Wash System

- A powerful, streaming wall of water delivers remarkable cleaning results. Maintains maximum pressure from corner to corner.

Wi-Fi Connectivity

- Remotely monitor and control the dishwasher from your smartphone with Wi-Fi connectivity.

Third Rack with FlexTray™

- The Third Rack with FlexTray™ is a removable rack that simplifies unloading silverware and oversized utensils.

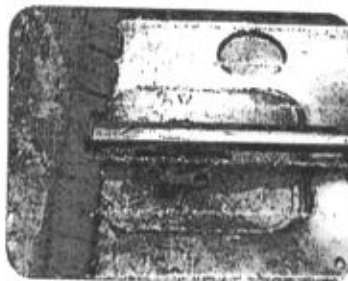
Available Colours



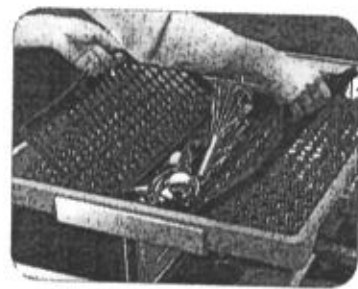
Stainless Steel (shown)



Black Stainless Steel



WaterWall™ Linear Wash System



Third Rack with FlexTray™

Features

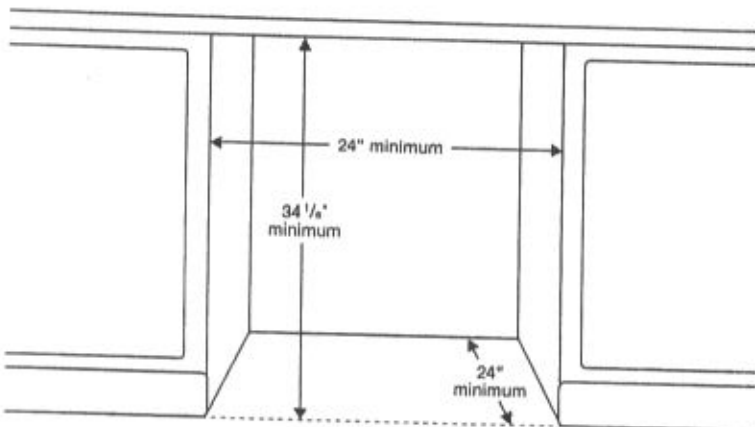
- AutoRelease™ Door
- ZoneBooster™
- Quiet Operation: 38 dBA
- 7 Wash Cycles
- 8 Options
- ENERGY STAR® rated: 239 kWh/Year
- Express Cycle: 60 Minutes
- One-Touch Adjustable Racking System
- 15 Place Settings
- Digital Leak Sensor
- Indicator Light
- Child Lock
- Delay Start

DW80M9960

Samsung WaterWall™ Dishwasher

SAMSUNG

Installation Specifications



Features

- 7 Wash Cycles: Auto, Normal, Heavy, Delicate, Express 60, Rinse Only, Self Clean
- 8 Options: Half-Load Wash (Lower Rack), Zone Booster (Left), Speed Booster, Hi-Temp Wash, Sanitize (Anti-bacterial – NSF), Delay Start, Control Lock, Smart Control (Wi-Fi App)
- AutoRelease™ Door
- Hidden Heat Element
- Stainless Steel Interior Tub

Convenience

- Child Lock
- Digital Water Leakage Sensor
- Third Rack with FlexTray™
- One-Touch Adjustable Racking System
- Silverware Basket
- Upper Rack: 2 Cup Shelves, 2 Adjustable Tines
- Lower Rack: Fold-Down Tines

Warranty

One (1) Year All Parts and Labour
Five (5) Year Limited on Printed Circuit Board and Interior Nylon Racks
Lifetime Limited Warranty on Stainless Steel Door Liner and Tub for Leakage

Product Dimensions & Weight (WxHxD)

Dimensions: 23⁷/₈" x 33⁷/₈" x 25"

Weight: 95 lbs

Shipping Dimensions & Weight (WxHxD)

Dimensions: 26" x 34³/₄" x 29³/₄"

Weight: 101 lbs

Colour

Stainless Steel

Black Stainless Steel

Model

DW80M9960US

DW80M9960UG

UPC Code

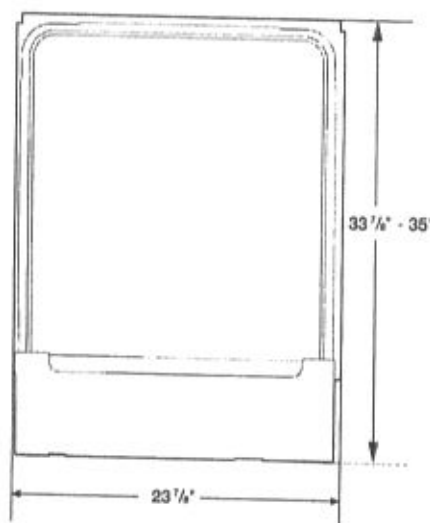
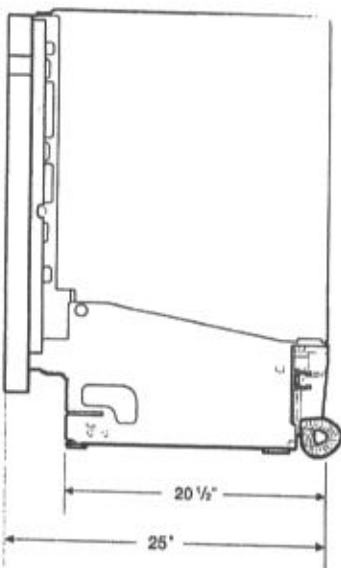
887276197852

887276197845

Dimensions

Side View

Rear View



RF22M9581SR

Samsung Counter-Depth, 4-Door Flex™ with Family Hub™

22 cu. ft. Capacity

SAMSUNG



Signature Features

Family Connection

- Share multiple calendars, photos and notes.

Food Management

- 3 built-in cameras take a picture of the inside of your fridge; order groceries online from the touchscreen.

Entertainment

- Stream music, videos, mirror your TV.

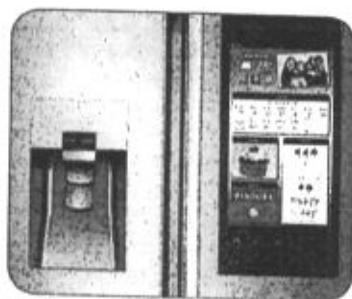
Available Colors



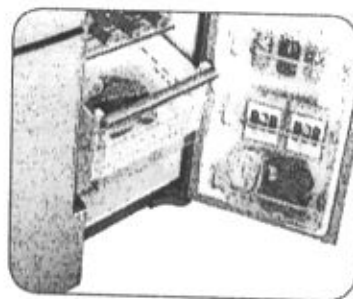
Stainless Steel (shown)



Black Stainless Steel



Family Hub™



FlexZone™

Features

- Profile Base Communication Apps
- S-Voice – Integrated Voice-Activated Features
- One Family Hub™ Experience Integrated Mobile App
- FlexZone™
- Triple and Metal Cooling
- Large Capacity – 22 cu. ft.
- External Filtered Water and Ice Dispenser
- Ice Master Ice Maker in the Refrigerator
- High-Efficiency LED Lighting
- Wine Rack
- Fingerprint-Proof Coating
- ENERGY STAR® Compliant
- EZ Slide-Out Shelves in Freezer and FlexZone™
- Counter-Depth

Convenience

- Tempered Glass Spill-Proof Shelves
- Gallon Door Bins
- Flip-Up Shelf
- Door Alarm
- Water Filter Indicator

Rating



ENERGY STAR®-rated:
709 kWh/yr

RF22M9581SR

SAMSUNG

Samsung Counter-Depth, 4-Door Flex™ with Family Hub™

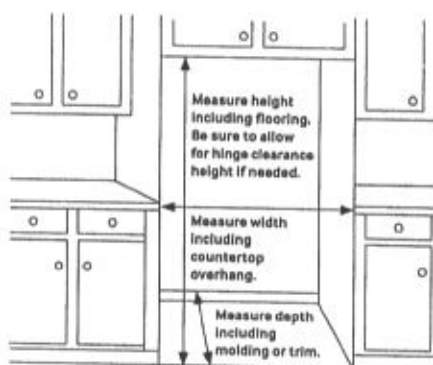
22 cu. ft. Capacity

Installation Specifications

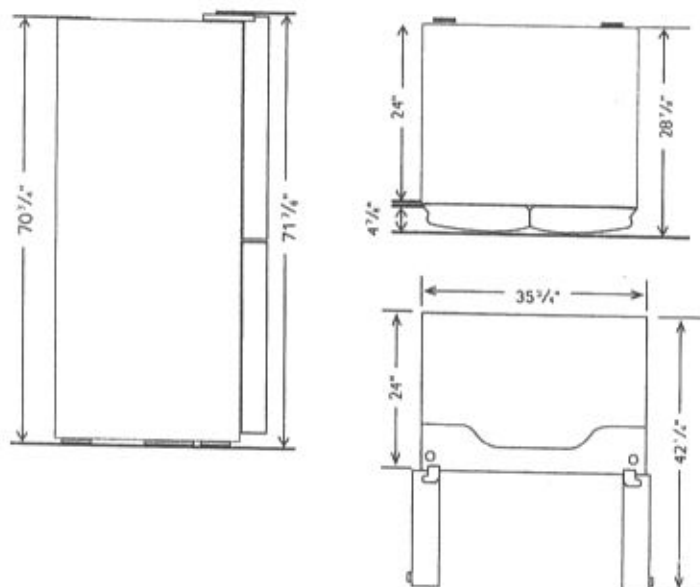
1. Measure the height, width and depth of the opening, making sure to include baseboards, molding tile, countertop overhang, etc. Check to be sure there is enough room to open the door (consider walls, islands or other obstacles when measuring).
2. Refer to illustration below to determine dimensions.
3. Allow 2.5" of clearance on hinge side of refrigerator when installing next to a wall where handle may make contact.
4. Allow 1" minimum clearance at rear for proper air circulation and water/electrical connections. Allow a 3/8" minimum clearance at sides and top for ease of installation.
5. Ensure each door and entryway in the home is wide enough for the refrigerator to be moved through easily.

For optimal usage and to be able to open refrigerator doors completely, do not install next to a wall.

Please note: The following dimension and cutout information is for planning purposes only. For complete installation details, consult manual packed with product, or download manual online at samsung.com.



Dimensions



Total Capacity: 22 cu. ft.

Refrigerator: 13.2 cu. ft.

- Premium External Filtered Water and Ice Dispenser (Crushed or Cubed Ice)
- Ice Master Ice Maker
- 2 Humidity-Controlled Crispers
- Gallon Door Bins
- 5 Tempered Glass Spill-Proof Shelves
 - 1 Slide-In
 - 1 Flip-Up
 - 3 Fixed
- Wine Rack
- High-Efficiency LED Lighting

FlexZone™: 4.4 cu. ft.

- 1 EZ Slide-Out Shelf
- 2 Drawers
- 5 Temperature Zones:
 - 41°F
 - 35°F
 - 30°F
 - 23°F
 - -8°F – 5°F
- High-Efficiency LED Lighting

Freezer: 4.4 cu. ft.

- 1 EZ Slide-Out Shelf
- 2 Freezer Drawers
- High-Efficiency LED Lighting

Warranty

One (1) Year Parts and Labor on Refrigerator

Five (5) Years Parts and Labor on Sealed Refrigeration System Only*

Ten (10) Years Parts and Five (5) Years Labor on Digital Inverter Compressor

*Compressor, evaporator, condenser, drier and connecting tubing.

Product Dimensions & Weight

Dimensions (WxHxD with hinges, handles and doors): 35³/₄" x 71⁷/₈" x 28⁷/₈"

Dimensions (WxHxD without hinges and door): 35³/₄" x 70³/₄" x 24"

Dimensions (WxHxD with hinge and door, no handle): 35³/₄" x 71⁷/₈" x 28⁷/₈"

Weight: 350.5 lbs.

Shipping Dimensions & Weight (WxHxD)

Dimensions: 38⁵/₁₆" x 78" x 31⁵/₁₆"

Weight: 374.7 lbs.

Color

Stainless Steel

Black Stainless Steel

Model

RF22M9581SR

RF22M9581SG

UPC Code

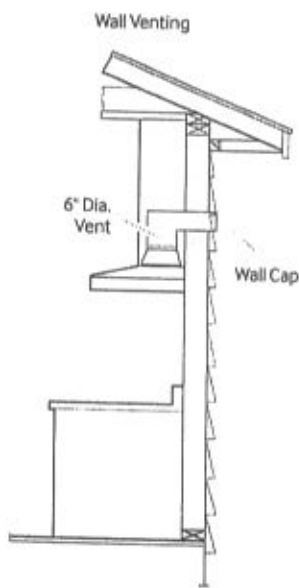
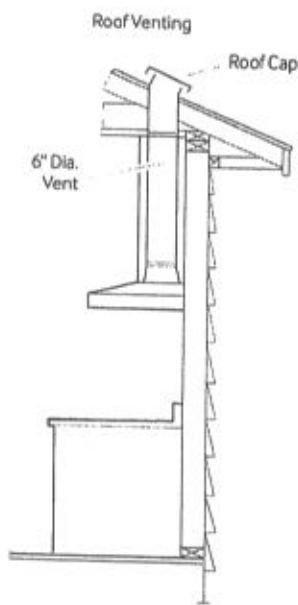
887276197999

887276197982

NK36K700WS

36" Range Hood

Venting Methods



Total Power

- 220 W

Power Source

- 120 V/60 Hz

Range Hood

- 36," Stainless Steel Chimney Hood
- Vent Fan: 600 CFM
- Front-Centered, Touch Control
- 4 Fan Speeds: 3 Step, 1 Booster
- Hood Connectivity Control
- Bluetooth On/Off Control
- Mobile Monitoring: Fan Speed, Lighting On/Off, Power Control
- Removable Baffle Filter
- LED Lighting

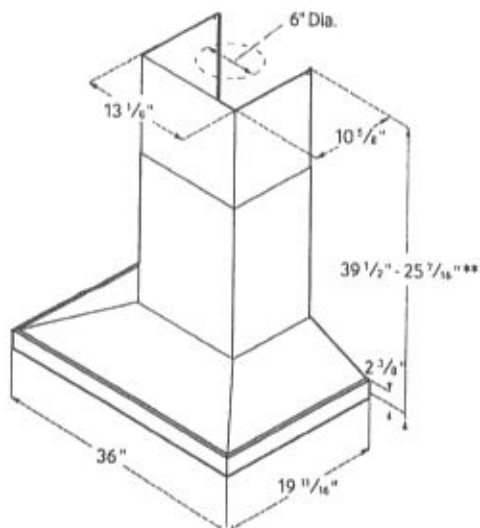
Warranty

One (1) Year All Parts and Labour

Dimensions and Clearance

Refer to installation manual for more details.

** For Vented Installation



COLOUR	MODEL #	UPC CODE
Stainless Steel	NK36K7000WS	887276182988
Black Stainless	NK36K7000WG	887276182971

© 2016 SAMSUNG ELECTRONICS AMERICA, INC. ALL RIGHTS RESERVED.

Actual colour may vary. Design, specifications, and colour availability are subject to change without notice. Non-metric weights and measurements are approximate.

© 2016 Samsung Electronics Canada Inc. All rights reserved. Samsung is a registered trademark of Samsung Electronics Co., Ltd., used with permission.

SAMSUNG

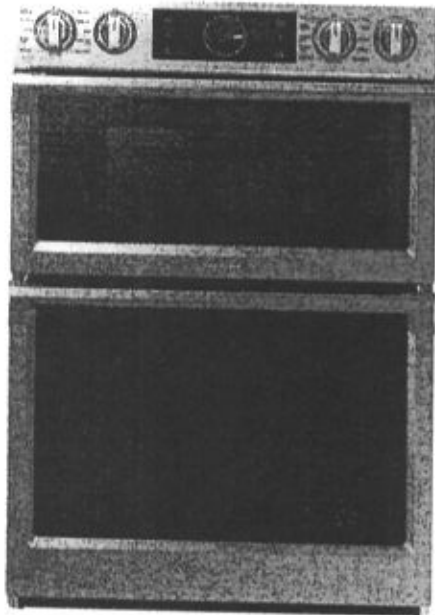
NQ70M7770DS

30" Microwave Combination Wall Oven

SAMSUNG

NQ70M7770DE

Black



Signature Features

Steam Cook (Oven)

- Delivers moisture at precise times for a crisp, browned outside and tender inside.

Speed Cook (Microwave)

- Cook food faster and more evenly by using power convection.

Flex Duo™ (Oven)

- Cook two dishes at different temperatures simultaneously with the Smart Divider.

Available Colors



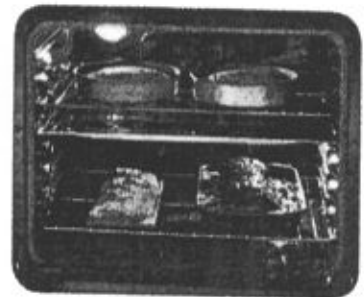
Stainless Steel (shown)



Black Stainless Steel



Steam Cook



Flex Duo™

Features

- Digital-Analog Controls
- 1.9/5.1 cu. ft. Capacity
- Hybrid Clean and Self-Clean (Oven)
- Gourmet Cook (Oven)
- Dual Convection (Oven)
- Wi-Fi Connectivity
- Wi-Fi Enabled Temperature Probe (Oven)
- LED Spotlights (Oven)
- Easy View Window
- 3 Heavy-Duty Racks including a Gliding Rack (Oven)
- Soft-Close Door (Oven)
- Ceramic Plate (Microwave)
- Rapid Preheat (Oven)
- Auto Latch Microwave Door
- 6 Oven Modes including Steam Bake and Steam Roast
- Blue LED Illuminated Knobs
- Broil Element
- Smart Control Key (Oven)
- 6 Rack Positions (Oven)
- Drop-Down Door Design
- LCD Display

Convenience

- Hidden Heating Element (Oven)
- Sabbath Mode (Oven)
- Delay Start (Oven)
- Proofing (Oven)
- Warming Mode (Oven)
- Kitchen Timer
- Child Safety Lock
- Convection Conversion

NQ70M7770DS

30" Microwave Combination Wall Oven

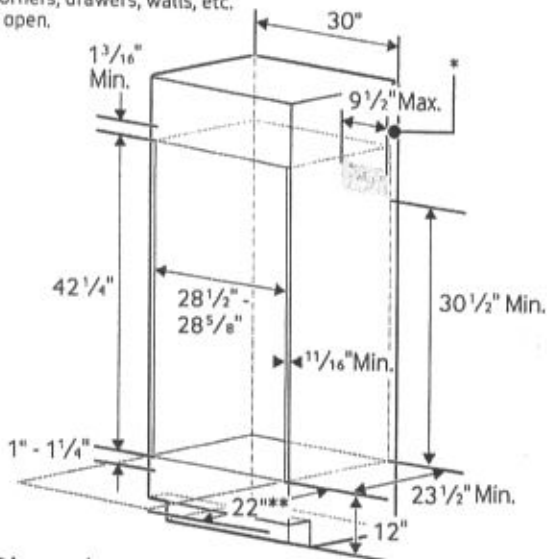
SAMSUNG

Cabinet Dimensions

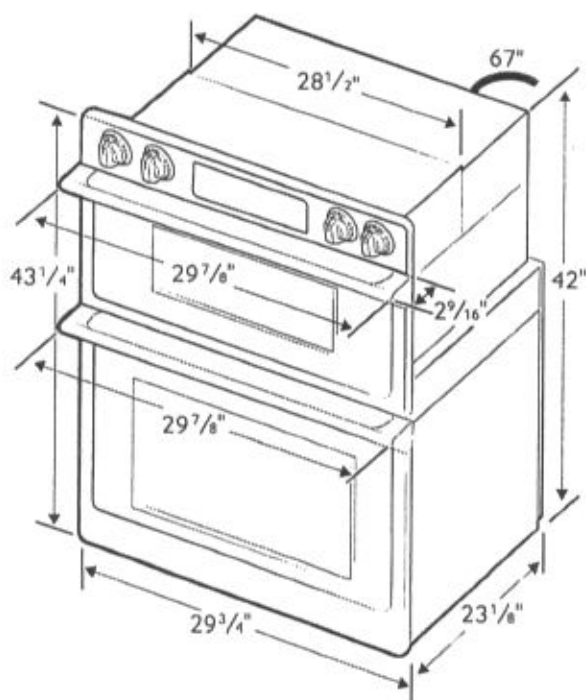
Combination Oven Installed in Cabinet

* Junction Box

** Allow a minimum of 22" for clearance to adjacent corners, drawers, walls, etc. when door is open.



Product Dimensions



Total Capacity: 1.9/5.1 cu. ft.

- Microwave: 1.9 cu. ft.
- Wall Oven: 5.1 cu. ft. total, 2.8/2.2 cu. ft.
- Hidden Bake Element
- Bake: 175°F–550°F
- Convection Bake: 175°F–550°F
- Convection Roast: 175°F–550°F
- Broil: Low-High
- Steam Bake: 230°F–550°F
- Steam Roast: 230°F–550°F
- Proofing
- Sabbath Mode

Warranty

One (1) Year All Parts and Labor
Ten (10) Years Parts Warranty for Magnetron

Product Dimensions & Weight (WxHxD)

Outside (Max) Combination Oven Dimensions:
29⁷/₈" x 43¹/₄" x 25¹¹/₁₆"

Combination Oven Cut-Out Dimensions:
28¹/₂" x 42¹/₄" x 23¹/₂"

Weight: 119 lbs.

Shipping Dimensions & Weight (WxHxD)

Dimensions:
33⁵/₈" x 48³/₁₆" x 29⁵¹/₆₄"

Weight: 132.5 lbs.

Color

Stainless Steel
Black Stainless Steel

Model

NQ70M7770DS
NQ70M7770DG

UPC Code

887276195186
887276195162

RATING	
240V	9.5 kW
208V	7.2 kW
BREAKER SIZE	
240V	40 Amps
208V	40 Amps

NA36K7750TG Gas Cooktop with 22 K BTU Dual Burner, 59000 BTU...

BENEFITS SPECS REVIEWS SUPPORT COMPARE WHERE TO BUY

914.4 x 79.3 x ...

Net (WxHxD)

Model #

NA36K7750TG

HIDE ALL SPECS

Samsung
Gas cooktop
3 1/2

Materials/Finishes

Model Type Install
36 inch built-in gas cooktop

Control Method
Illuminated Knobs

Power/Ratings

Total Power
59000 BTU

Power Level
Low-Med-High

Burner - Left Front
9500 BTU

Burner - Left Rear
9500 BTU

Burner - Right Front
13000 BTU

Burner - Right Rear
5000 BTU, Precise Simmer

Burner - Center Front
22000 BTU, Dual Brass

Power Supply
120 V / 60 Hz, 1A

Features

Grate
Cast Iron (3pcs)

Surface
Black Stainless + Enamel

Simmer/Melt
Yes

Cooktop

Number of Burner
5 EA

Fuel Type
Natural Gas (factory set)

Accessories

WOK grate
Yes

Griddle
Cast Iron Griddle

LP Conversion Kit
Yes

Smart

Wi-Fi Connectivity
Yes

Auto Connectivity (with Hood)
Yes

Weights/Dimensions		
Package (WxHxD) 1030 x 270 x 650 mm	Cutout (WxHxD) W 860.4 x D 485.8 mm	Net (WxHxD) 914.4 x 79.3 x 533 mm
Weight (Gross) 43.7 kg	Weight (Net) 38.2 kg	Loading Quantity (20/40ft) 152 / 328

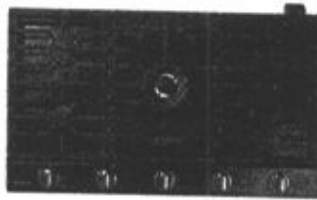


NA36K7750TG Gas Cooktop with 22 K BTU Dual Burner, 59000 BTU...

[BENEFITS](#) [SPECS](#) [REVIEWS](#) [SUPPORT](#) [COMPARE](#)

[WHERE TO BUY](#)

Recently Viewed



NA36K7750TG Gas Cooktop with 22 K BTU Dual Burner, 59000 BTU

* Key feature may differ from Key Spec

[Back to top](#)

Sitemap

[About Us](#)

[Investor](#)

[News](#)

[Articles](#)

[Find Offers](#)

[Retail Locations](#)

[Contact Us](#)

[Newsletter](#)

[Careers](#)

[Samsung](#)

[Account](#)

[Product](#)

[Registration](#)

Need Support?

[Live Chat](#)

[Phone](#)

[Support](#)

[Mail Support](#)

Stay in the loop?



Copyright© 1995-2017 SAMSUNG All Rights Reserved.

[ACCESSIBILITY HELP](#) [PRIVACY](#) [LEGAL](#)

 [CANADA/ENGLISH](#)

This website is best viewed using Internet Explorer 9, Chrome, Safari and newer browsers.

