

Specifications

Brand	Maytag
Colour	Stainless Steel
Cooktop Style	Gas
Dimensions - Height	
Dimensions - Height	91.44 cm (36 in.)
Dimensions - Width	75.95 cm (29.9 in.)
Dimensions - Width	75.95 cm (29.9 in.)
Features	Self-Cleaning
Model	MGS8800FZ
Oven Capacity	
Oven Capacity	164.24 L (5.8 cu. ft.)
Power Source	Gas
Range Type	Freestanding
Weight	
Weight	90.72 kg (200 lb.)

LOT 12
KINGS
LANDING

P.1/3

D
04/29/2020

Mobile Home - Additional Installation Requirements

The installation of this range must conform to the Manufactured Home Construction and Safety Standard, Title 24 CFR, Part 3280 (formerly the Federal Standard for Mobile Home Construction and Safety, Title 24, HUD Part 280). When such standard is not applicable, use the Standard for Manufactured Home Installations, ANSI A225.1/NFPA 501A or with local codes.

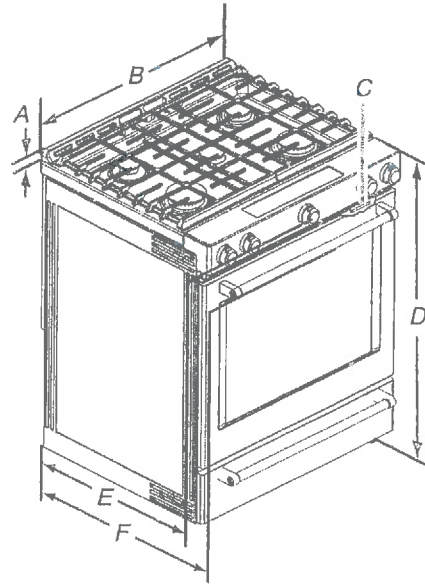
In Canada, the installation of this range must conform with the current standards CAN/CSA-A240-latest edition, or with local codes.

Mobile Home Installations Require:

- When this range is installed in a mobile home, it must be secured to the floor during transit. Any method of securing the range is adequate as long as it conforms to the standards listed above.

Product Dimensions

This manual covers several models. Your model may appear different from the models depicted. Dimensions given are maximum dimensions across all models.



A. $1\frac{3}{16}$ " (3.0 cm) height from cooktop to top of vent

B. $29\frac{7}{8}$ " (75.9 cm)

C. Model/serial/rating plate (located behind the oven door on the top right-hand side of the oven frame)

D. 36" (91.4 cm) height to top of cooktop edge with leveling legs screwed in all the way*

E. $28\frac{5}{16}$ " (71.9 cm) max. depth from front of console to back of range

F. $28\frac{7}{8}$ " (73.3 cm) max. depth from handle to back of range

IMPORTANT: Range must be level after installation. Follow the instructions in the "Level Range" section. Using the cooktop as a reference for leveling the range is not recommended.

*Range can be raised approximately 1" (2.5 cm) by adjusting the leveling legs.

JB
04/29/2020

Cabinet Dimensions

Cabinet opening dimensions shown are for 25" (64.0 cm) countertop depth, 24" (61.0 cm) base cabinet depth and 36" (91.4 cm) countertop height.

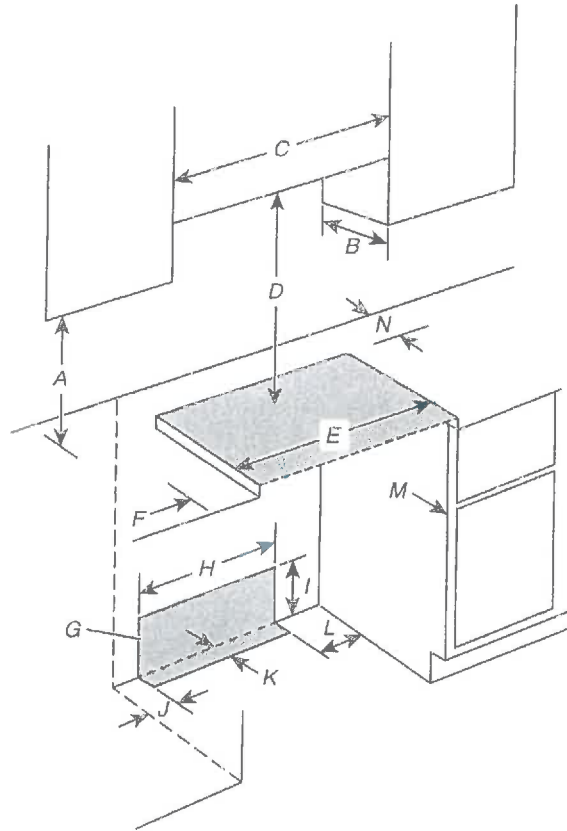
IMPORTANT: If installing a range hood or microwave hood combination above the cooking surface, follow the range hood or microwave hood combination installation instructions for dimensional clearances above the cooktop surface.

Range may be installed next to combustible walls with zero clearance.

NOTE: When installed in a slide-in cutout, the front of oven door may protrude beyond the base cabinet.

P. 3/3

Slide-in Cutout



- A. 18" (45.7 cm) upper side cabinet to countertop
- B. 13" (33 cm) max. upper cabinet depth
- C. 30" (76.2 cm) min. opening width
- D. For minimum clearance to top of cooktop, see NOTE*.
- E. 30" (76.2 cm) min. opening width
- F. 5" (12.7 cm) min. clearance from both sides of range to side wall or other combustible material
- G. The shaded area is recommended for installation of rigid gas pipe and grounded outlet.
- H. 13¹/₈" (33.3 cm)
- I. 7¹/₁₆" (19.5 cm)
- J. 4¹³/₁₆" (12.2 cm)
- K. 3¹/₁₆" (9.4 cm) plus measurement of N
- L. 12" (30.5 cm)
- M. Cabinet door or hinges should not extend into the cutout.
- N. Remaining counter depth should not exceed 2¹/₄" (5.7 cm).

BB
04/27/2020

***NOTE:** 24" (61.0 cm) minimum when bottom of wood or metal cabinet is shielded by not less than 1/4" (6.35 mm) flame retardant millboard covered with not less than No. 28 MSG sheet steel, 0.015" (0.4 mm) stainless steel, 0.024" (0.6 mm) aluminum or 0.020" (0.5 mm) copper.

30" (76.2 cm) minimum clearance between the top of the cooking platform and the bottom of an uncovered wood or metal cabinet.