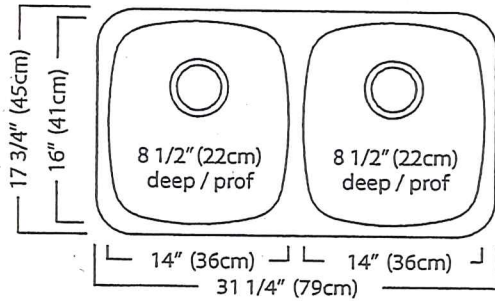
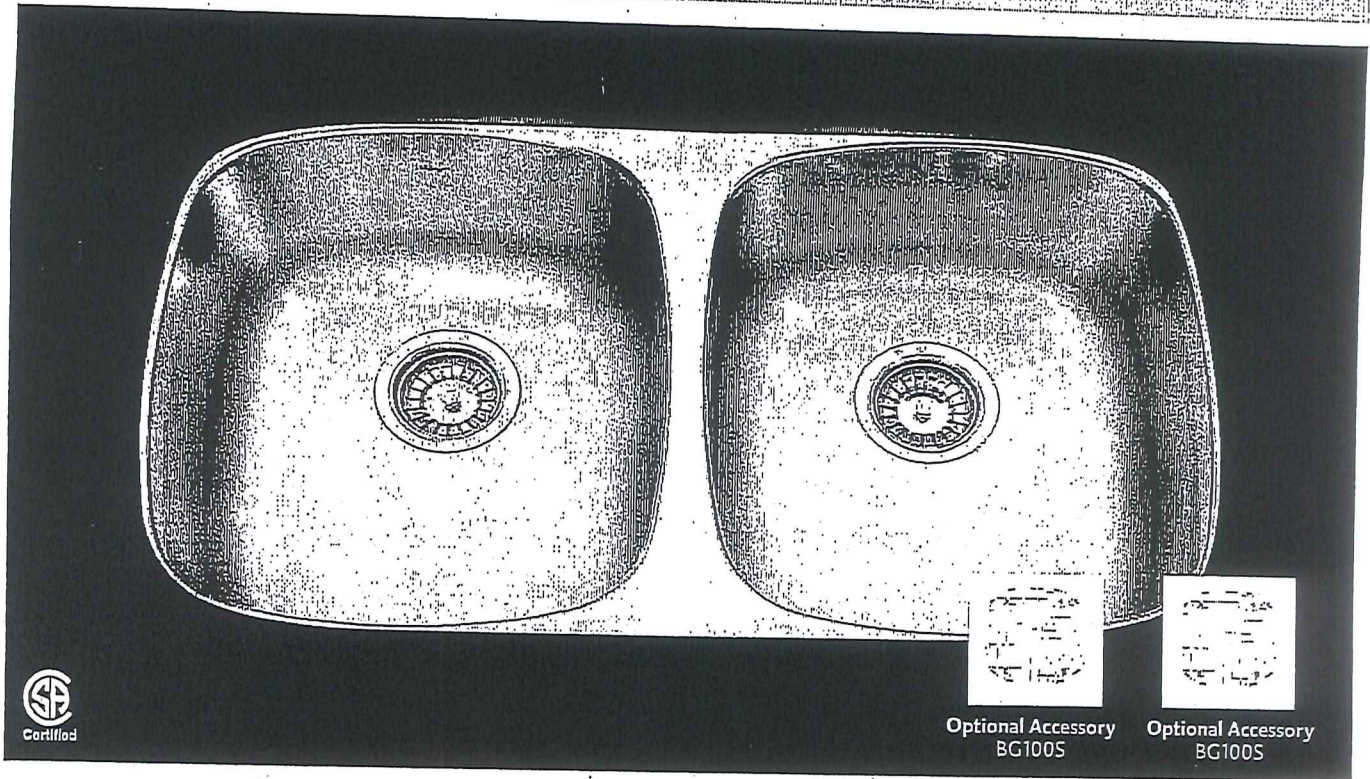


Reginox

ND1931U/9



ND1931 U/9 SPECIFICATION

Model ND1931U/9 is a double (two equal size) bowl undermount sink manufactured for Franke Kindred Canada Limited from 18 gauge, 18-10 stainless steel. Product has mirror finished rims and satin finished bowls. Sink is fully undercoated. Basket strainer waste fitting (3 1/2", 89 mm) are included. Sink is backed with a limited buyer lifetime warranty.

- O.D. 17 3/4" x 31 1/4" x 8 1/2" (45 x 79 x 22 cm)
- Recommended for minimum 36" cabinet

Franke Kindred Canada Limited
 P.O. Box 190, 1000 Franke Kindred Road, Midland, Ontario, Canada, L4R 4K9 Phone: 866-687-7465 Fax: 800-361-8408

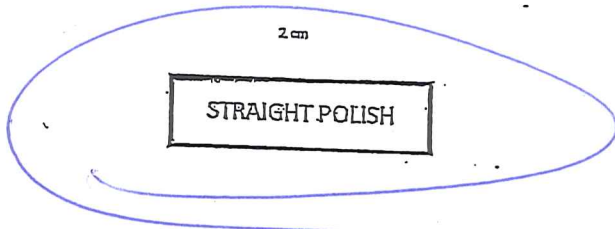
Plumbing Fixture / Kitchen Sinks 15410

Franke Kindred Canada Limited Printed in Canada 61619 Spec 0115

Lot 5 Ph 2
 The Brook

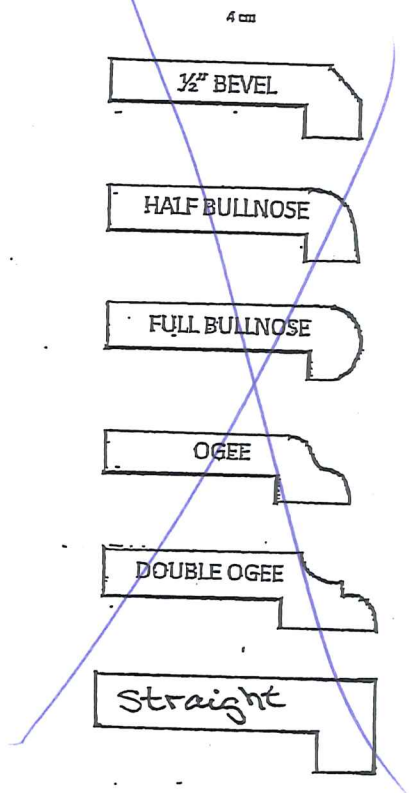
EDGE PROFILE VERIFICATION FORM

STANDARD EDGE PROFILES



Kitchen

UPGRADED EDGE PROFILES



Lot 5 Ph 2
The Brook

