

GOEMANS APPLIANCES

Est. 1978

1-877-463-6267

www.goemans.com

PACKING SLIP

Invoice #	HB00016125
Delivery Date	9-May-18
Purchase Date:	17-May-17
Salesperson:	JASON NG
Printed Date:	18-Jan-18

MAKARENKO, SAMANTHA & NATHAN TBA INVERNESS AVE LOT # 104 BRADFORD, ON TBA (289) 926-1780 sam1061@hotmail.com	MAKARENKO, SAMANTHA & NATHAN TBA INVERNESS AVE LOT # 104 BRADFORD, ON TBA (289) 926-1780 sam1061@hotmail.com
Delivery / Special Instructions: 6TH LINE & SIMCOE ROAD	

QTY	MODEL #	MISC	LOC	DESCRIPTION	SERIAL#
1	RF135BDLX4			This Invoice has been split, further details on ' HB00016125-2' ! This Invoice has been split, further details on ' HB00016125-1' ! FISHER & PAYKEL REFRIGERATOR, BOTTOM MOUNT, CO STAINLESS	
1	RF135BDRUX4			DOOR SWING - HINGES ARE ON THE LEFT, HANDLE ON THE RIGHT FISHER & PAYKEL REFRIGERATOR, BOTTOM MOUNT, CO STAINLESS	
1	AJ-RF17X			DOOR SWING - HINGES ARE ON THE RIGHT, HANDLE ON THE LEFT FISHER & PAYKEL ACCESSORY, FRIDGE, FREESTAND	
1	635X2			This special order or clearance product requires a 50% deposit & is considered FINAL SALE. x _____ FISHER & PAYKEL ACCESSORY, FRIDGE, FREESTAND	
1	CCHS995SELSS			GE CAFÉ RANGE, ELECTRIC, FREE-STANDING Stainless Steel	
1	ZSA-E30DS			ZEPHYR HOOD, WALL MOUNT	
1	Z1C-01SA			This special order product requires a 50% deposit & is considered FINAL SALE. x _____ PLEASE ALLOW UP TO 4-12 WEEKS FOR DELIVERY OF THIS PIECE. ZEPHYR ACCESSORY, HOOD	

WHITE-Customer Copy

YELLOW-GOEMANS Copy

Thank You For Your Business

GOEMANS APPLIANCES

Est. 1978

1-877-463-6267

www.goemans.com

PACKING SLIP

Invoice #	HB00016125
Delivery Date	9-May-18
Purchase Date:	17-May-17
Salesperson:	JASON NG
Printed Date:	18-Jan-18

MAKARENKO, SAMANTHA & NATHAN TBA INVERNESS AVE LOT # 104 BRADFORD, ON TBA (289) 926-1780 sam1061@hotmail.com	MAKARENKO, SAMANTHA & NATHAN TBA INVERNESS AVE LOT # 104 BRADFORD, ON TBA (289) 926-1780 sam1061@hotmail.com
Delivery / Special Instructions: 6TH LINE & SIMCOE ROAD	

QTY	MODEL #	MISC	LOC	DESCRIPTION	SERIAL#
1	SHPM98W75N			This special order product requires a 50% deposit & is considered FINAL SALE. x _____ PLEASE ALLOW UP TO 4-12 WEEKS FOR DELIVERY OF THIS PIECE. BOSCH DISHWASHER STAINLESS	
1	NNSD786S			PANASONIC MICROWAVE, COUNTER-TOP STAINLESS	
1	NNTK714SS			PANASONIC ACCESSORY, MICROWAVE STAINLESS	
1	WM4370HKA			LG ELECTRONICS WASHER, FRONT LOAD, LARGE CAPA Black Stainless	
1	DLEX4370K			LG ELECTRONICS DRYER, ELECTRIC - TO MATCH LAR Black Stainless	
1	WDP4V			LG ELECTRONICS ACCESSORY, LAUNDRY GRAPHITE STEEL	
1	WD100CV			LG ELECTRONICS WASHER, FRONT LOAD, COMPACT GRAPHITE STEEL (VCM)	
2	HOSE LNDRY 6FT 48369			RELIABLE PARTS ACCESSORY WASHER	
1		DEL3		P-DELIVERY \$10,000-19,999	
-1		DEL DISCOUN		SALES DELIVERY ALLOWANCE	
	VHOOD2CHMY	UNASSIGNED INSTALLER		Chimney style hood install up to 36" model	

WHITE-Customer Copy YELLOW-GOEMANS Copy

Thank You For Your Business

GOEMANS APPLIANCES

Est. 1978

1-877-463-6267

www.goemans.com

PACKING SLIP

Invoice #	HB00016125
Delivery Date	9-May-18
Purchase Date:	17-May-17
Salesperson:	JASON NG
Printed Date:	18-Jan-18

MAKARENKO, SAMANTHA & NATHAN TBA INVERNESS AVE LOT # 104 BRADFORD, ON TBA (289) 926-1780 (289) 926-6718 sam1061@hotmail.com	MAKARENKO, SAMANTHA & NATHAN TBA INVERNESS AVE LOT # 104 BRADFORD, ON TBA (289) 926-1780 (289) 926-6718 sam1061@hotmail.com
Delivery / Special Instructions: 6TH LINE & SIMCOE ROAD	

QTY	MODEL #	MISC	LOC	DESCRIPTION	SERIAL#
		Payment		Mounting of hood to wall, and vent connection up to 4ft in length. No hole cutting. **BUILDER ORDER, NEED TO SHIP UP AND INSTALL THE HOOD FAN 1 WEEK PRIOR TO CLOSING FOR PDI** **CONTACT STEVE B. FOR 10' DUCT COVER ** MASTER CARD	

- WARRANTY TERM STARTS FROM DATE OF DELIVERY
- All products remain the property of GOEMANS until paid in full.
- All authorized returned products will be subject to a restocking charge.
- Upon delivery customer agrees to accept service in accordance with manufacturer's warranty.

WHITE-Customer Copy	YELLOW-GOEMANS Copy
---------------------	---------------------

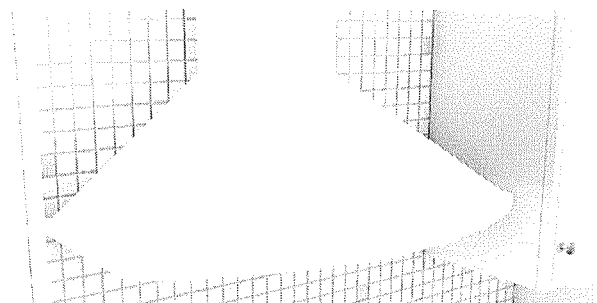
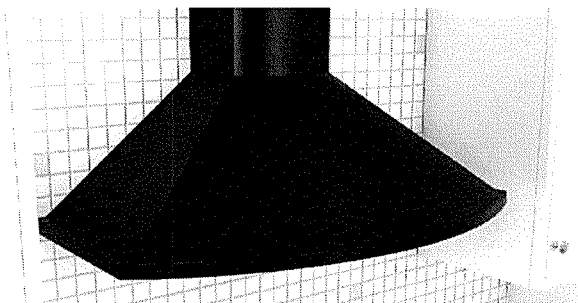
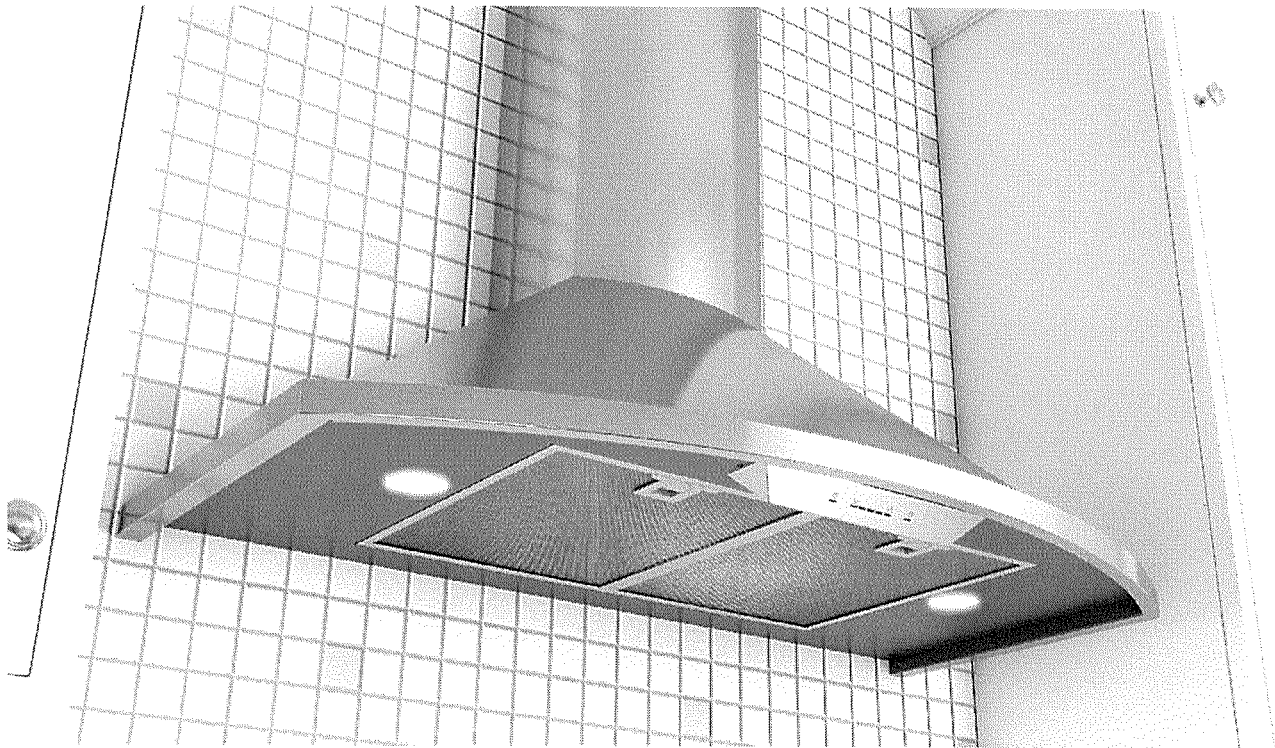
Thank You For Your Business

SAVONA wall

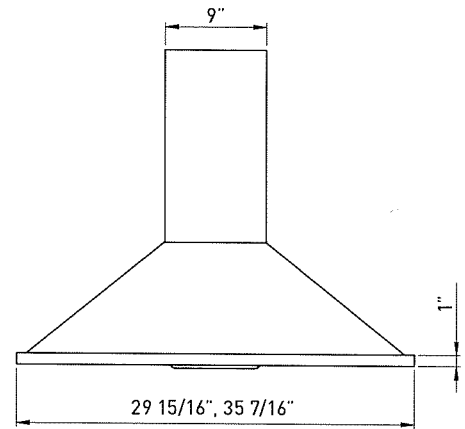
Savona's semi-circular surfaces accentuate this range hood's European design with delicate reflections of light and shadows. Underneath the 11" tall body, Savona features a robust 685-CFM fan that operates at an ultra quiet 1 sone on normal working speed. ICON Touch™ controls with 5 speeds and our exclusive ACT™ technology make this hood a standout choice. Also available in powder-coated black and white.

	INTERNAL BLOWER STANDARD	ACT™ INTERNAL BLOWER WITH AIRFLOW CONTROL TECHNOLOGY™	
Min.-Max. CFM	200 - 685	200 - 390	200 - 290
Min.-Max. Sones	1 - 6	1 - 4	1 - 3

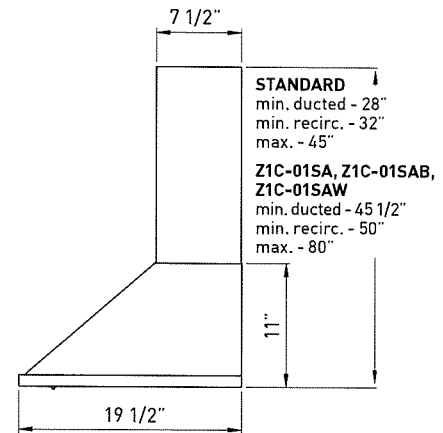
ACT™ is an exclusive feature built into specific Zephyr hoods which can limit the maximum blower CFM to meet local code requirements.



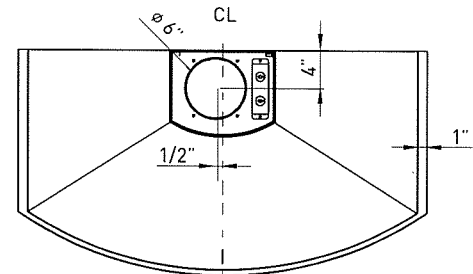
SIZE	
ZSA-E30CB / ZSA-E30CS / ZSA-E30CW	30"
ZSA-M90CB / ZSA-M90CS / ZSA-M90CW	36"
PERFORMANCE	
INTERNAL, MIN.-MAX. BLOWER CFM	200 - 685
INTERNAL, MIN.-MAX. SONES	1 - 6
COLOR	
ZSA-E30CB / ZSA-M90CB	Black
ZSA-E30CS / ZSA-M90CS	Stainless Steel
ZSA-E30CW / ZSA-M90CW	White
FEATURES	
ACT™	Yes
CONTROLS	ICON Touch™
SPEED LEVELS	5*
5 MINUTE AUTO DELAY-OFF	Yes
LIGHTING	Halogen, 50W x 2
DUAL LEVEL LIGHTING	Yes
FILTERS	Aluminum Mesh x 2
RECIRCULATING OPTION	Yes
DUCT COVER EXTENSION OPTION	Yes, Up to 12' Ceiling
DUCT SPECIFICATIONS	
VERTICAL - INTERNAL	6" Round
HORIZONTAL - INTERNAL	NA
AC POWER	120V, 60Hz at Max. 5A
OPTIONAL ACCESSORIES	
RECIRCULATING KIT	ZRC-00SV
DUCT COVER EXTENSION	ZSA-E30CB / ZSA-M90CB ZSA-E30CS / ZSA-M90CS ZSA-E30CW / ZSA-M90CW
UNIVERSAL MAKE-UP AIR KIT	MUA008A
MOUNTING HEIGHT	26" - 34"
WARRANTY	3 Years Parts, 1 Year Labor



FRONT



SIDE



TOP

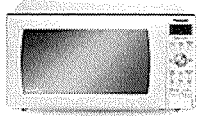
Specifications subject to change, check zephyronline.com for up-to-date information.

CEILING HEIGHT		8'	8.5'	9'	9.5'	10'	10.5'	11'	12'
STANDARD DUCT COVER	Ducted Mounting Height*	26"-32"	26"-34"	27"-34"	33"-34"	NA	NA	NA	NA
	Recirc. Mounting Height*	26"-28"	26"-34"	27"-34"	33"-34"	NA	NA	NA	NA
EXTENSION DUCT COVER	Ducted Mounting Height*	NA	NA	26"-26.5"	26"-32.5"	26"-34"	26"-34"	26"-34"	28"-34"
	Recirc. Mounting Height*	NA	NA	NA	26" - 28"	26"-34"	26"-34"	26"-34"	28"-34"

*When ACT™ is enabled the maximum speed levels will change. ACT 390 CFM = 4 speeds and ACT 290 CFM = 3 speeds.

**Mounting height refers to distance between top of a 36" tall cooking surface and bottom of hood.





Microwave Ovens Cyclonic Inverter™
Countertop NN-SD786S

MODEL & SIZE	Model Number	NN-SD786S
	Type	Full Size
	Installation	Counter Top or Built-in
	Oven Capacity	1.6 cu. ft.
	Cooking Power	1,200 Watt
	Turntable Diameter	15"
PANASONIC TECHNOLOGY	Panasonic Inverter®	Inverter®
	Sensor	Prestige® Genius®
DESIGN	Colour	Fingerprint Resistant Stainless Steel
	Control Panel	"Flashing Blue" Ring Dial with Button Panel
	Display Panel	"Blue" 6-Digit Expanded Display
	Cooking Options	Microwave Cooking
STYLE	Door Front	Stainless Steel
	Door Window	Reflective Mirror Finish
	Exterior Wrap	Stainless Steel
	Door Release	Push Button
	Oven Interior	Epoxy
PERFORMANCE	Power Settings	10 levels
	Multi-stage Cooking	5 stages
	Automatic Turntable	Revolving & Removable
	Menu Action Screen	Interactive Multi-Lingual
PROGRAMMABLE FEATURES	Sensor Cook	Sensor 18 Menu Items

		Sensor Reheat	yes
		More / Less Control	yes
		Inverter [®] Turbo Defrost	yes
		Keep Warm Button	yes
		Popcorn Button	yes
		Quick Minute	yes
		Delay Start	yes
		Delay Timer	yes
SPECIFICATIONS		Power Requirements	120 V 60 Hz; 12.7 A, 1,460 Watt; AC only
		Cavity Dimensions (W x D x H)	418 × 470 × 229 mm 16.4 x 18.5 x 9 inch
		Unit Dimensions (W x D x H)	556 × 506 × 303 mm 21.9 x 19.9 x 12 inch
		Carton Dimensions (W x D x H)	625 × 533 × 375 mm (24-5/8" × 21" × 14-3/4")
		Net Weight	Approx. 14.3 kg (32 lb)
		Gross Weight	17.7 kg (39 lb)
ACCESSORIES	TRIM KITS	27" Model Number	NN-TK729SF (stainless)
		30" Model Number	NN-TK739SF (stainless)

Copyright ©Panasonic Canada Inc.

CHS995SELSS

GE Profile™ Series 30" Slide-In Front Control Induction and Convection Double Oven Range

DIMENSIONS AND INSTALLATION INFORMATION (IN INCHES)

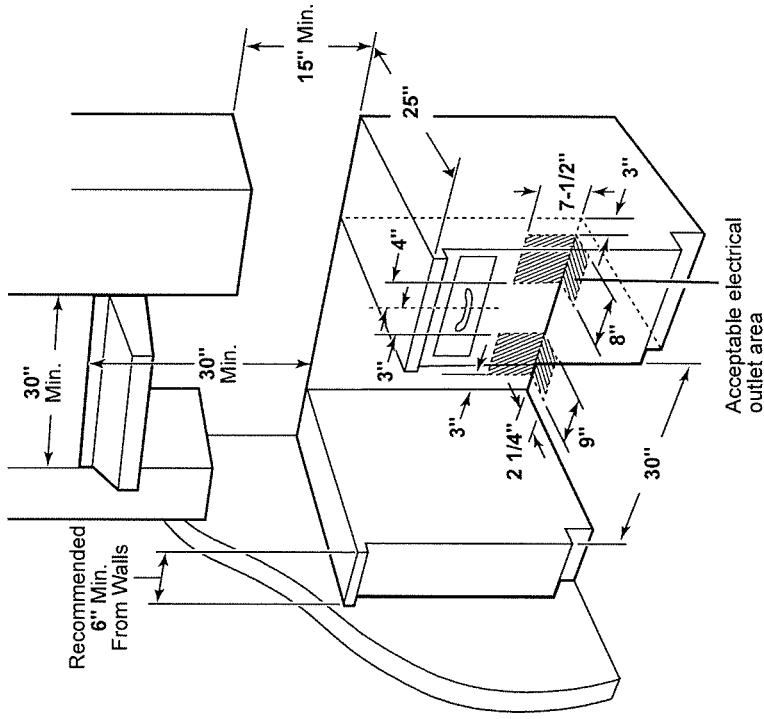
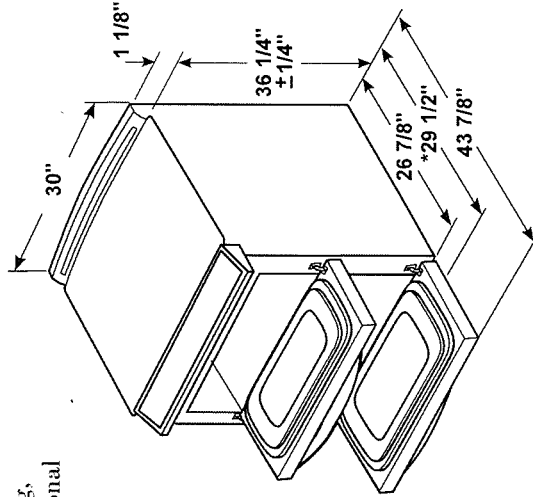
RECEPTACLE LOCATIONS: Locally approved flexible service cord or conduit must be used because terminals are not accessible after range installation. See shaded area in drawing for location of electrical outlet box. Recommended outlet locations allow range to be installed directly against rear wall.

NOTE: This appliance has been approved for 0" spacing to adjacent surfaces above the cooktop. However, a 6" minimum spacing to surfaces less than 15" above the cooktop and adjacent cabinet is recommended to reduce exposure to steam, grease splatter and heat.

INSTALLATION INFORMATION: Before installing, consult installation instructions for current dimensional data and additional requirements

KW RATING	
240V	15.5
208V	11.6
BREAKER SIZE	
240V	40 Amps ¹
208V	40 Amps ¹

NOTE: Check local codes for required breaker size.



For answers to your Monogram, GE Café™ Series, GE Profile™ Series or GE Appliances product questions, visit our website at geappliances.com or call GE Answer Center® Service, 800.626.2000.



All GE® ratings are equivalent with an A-rated device. The installation of this device is an important required step in the installation of the range.



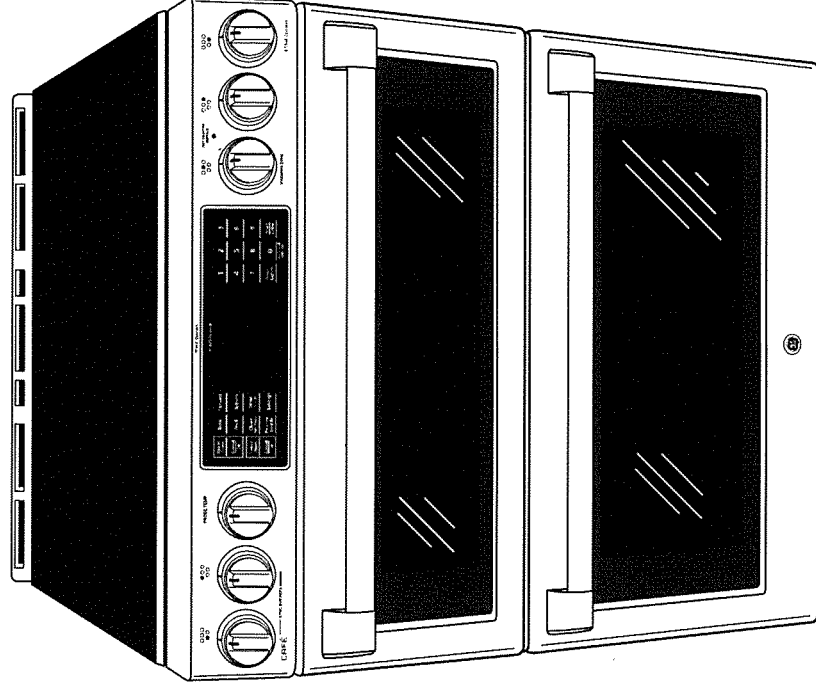
CHS995SELSS

GE Profile™ Series 30" Slide-In Front Control Induction and Convection Double Oven Range

FEATURES AND BENEFITS

- Induction cooktop technology - Innovative, fast, efficient cooking
- 11" 3700-watt induction element - Powerful enough to boil a quart of water in 101 seconds yet gentle enough for delicate sauces
- Precision cooking probe - Confidently cook delicate sauces, fondues and cheeses to their exact temperatures
- LED backlit knobs - An already sleek cooktop is enhanced by the impressive look of these knobs
- Wifi Connect - Wirelessly control oven functions from your smartphone
- Chef Connect - Three options with a single touch. For instant convenience, choose when to automatically sync clocks and the range elements with the microwave's surface light and vent
- Two 8" 2500-watt synchronized elements - Control two 8" elements simultaneously to evenly heat large cookware or griddles
- Smooth-glide warming drawer - Perfectly warm crispy chips and breads or keep side dishes warm until dinner is served
- True European Convection with Precise Air - Accurate heat circulation ensures evenly baked foods
- Self-clean, heavy-duty roller rack- Easily access items with racks that glide smoothly
- 7.0 cu. ft. total double oven capacity - An upper everyday oven preheats quickly while the larger lower oven is perfect for dinner parties and large meals

Model CHS995SELSS - Stainless steel



GUARANTEED FIT

Replace your old 30" free-standing range with a new 30" slide-in model.
GE slide-in ranges are guaranteed for an exact fit to make replacement easy

Visit geappliances.com for more info





Cutout dimensions – flush to edge of door (mm / inches)

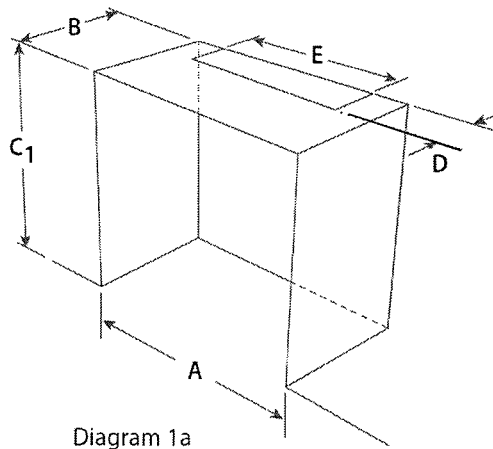


Diagram 1a
Cabinet at floor level

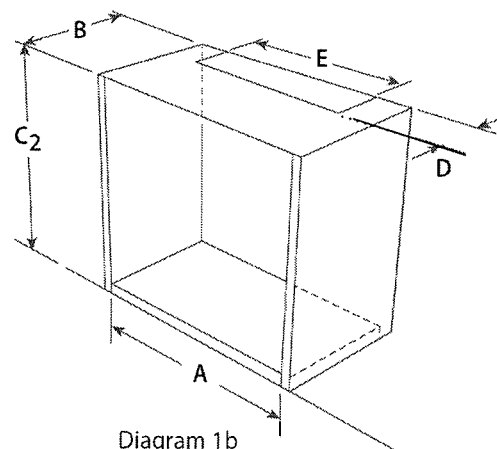


Diagram 1b
Cabinet above toe kick

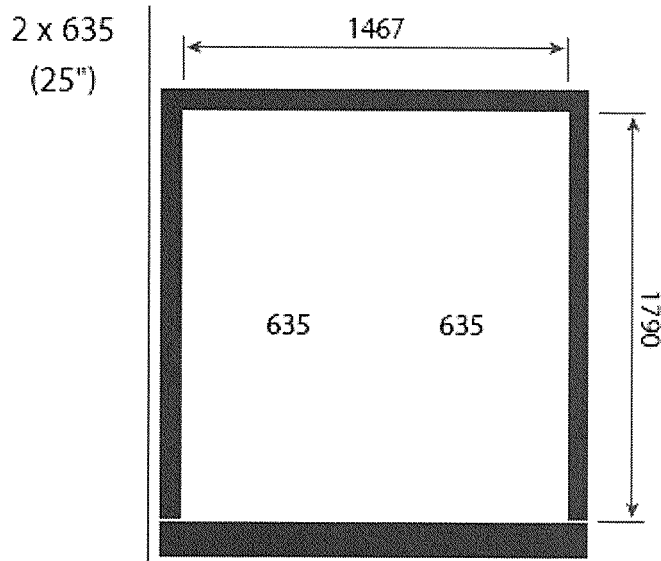
Installation diagrams for illustration purposes only

Diagram 1

A width	1467 (57 ¾")	D air vent depth	200 (8")	* Depth is a minimum requirement
B depth*	700 (27 ⅞")	E air vent width	1162 (45 ¾")	** Height is without 16mm MDF packer
C1 height**	1790 (70 ½")			*** Height is with 16mm MDF packer
C2 height***	1806 (71 ⅛")			

N.B. The trim kit must be supported (in a module cabinet) independently from the adjoining cabinets

The information contained herein is based on sources that we believe to be reliable, but is not guaranteed by us, may be incomplete or may change without notice



Cut Out Dimensions		
Width A	Depth B*	Height C**
1467mm	700mm	1790mm
57 ³ / ₄ "	27 ⁹ / ₁₆ "	70 ¹ / ₂ "

* Depth is a minimum requirement

** Height is without 16mm MDF packer

TRIM INSTALLATION

The bottom trim is designed to cover the front edge of the floor base panel of the cabinet. This trim can be installed on a raised toe kick (diagram 1a) or toe kick below the refrigerator (diagram 1b)

Remembering that if this trim is to be used with the refrigerator at floor level the cut out dimensions will need to have 16mm (⁵/₈") added to its height to allow for the bottom trim to be fitted. Note this trim is optional on this type of installation. If used with a raised toe kick the 16mm packer should be part of the base (diagram 5). Therefore 16mm is not required to be added to the height dimension.

1. If used place the 16mm (⁵/₈") piece of plywood or with bottom trim fitted into the cavity (diagram 5 or 6). Note the piece should be the same size as the base of the cavity.

2. Remove protective coating film from surround trim.

3. To install the surrounds, first clip in the top surround. Ensure the locator strips at the rear of the top brackets clip into the rear of the top trim.

4. Clip both side trims into place starting from the front cabinet edge.

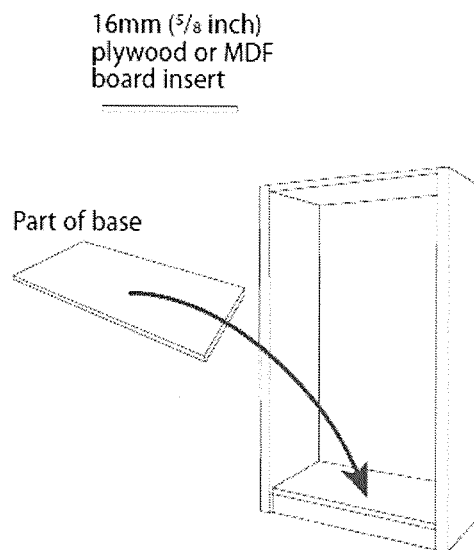
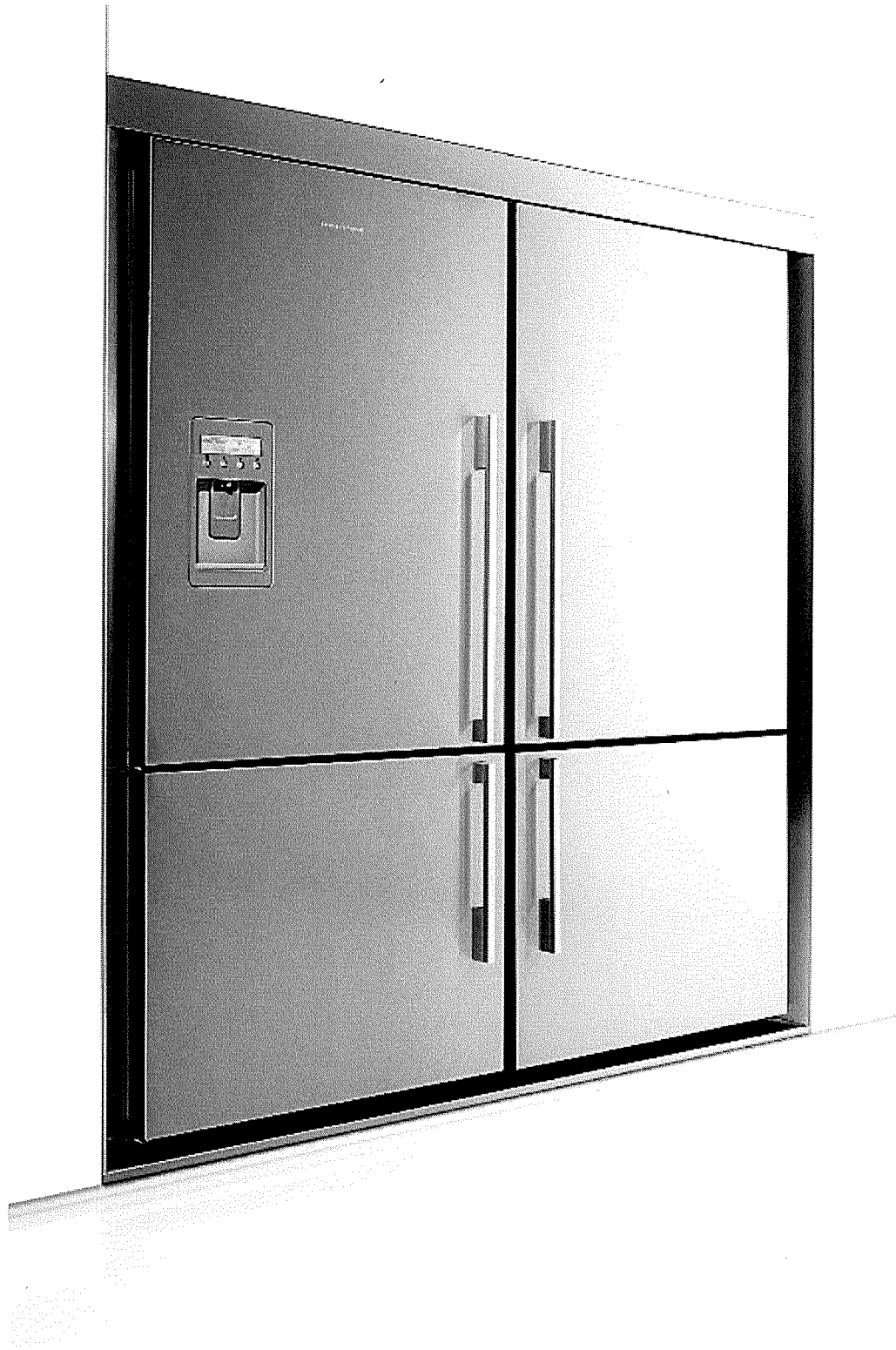
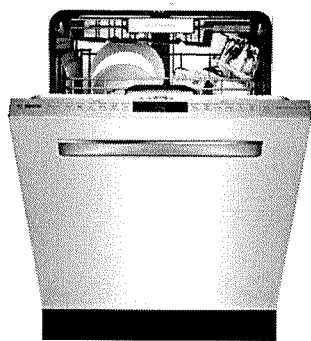


Diagram 5



24" Pocket Handle Dishwasher

800 Series – Stainless Steel SHPM98W75N



SHPM98W75N
Stainless Steel

The MyWay™ easily fits larger & deeper items like cereal bowls, freeing up extra space for pots & pans in the bottom rack.

Features & Benefits

39 dBA: Quietest dishwasher brand in North America.*

MyWay™ gives you the industry's largest 3rd rack loading capacity**.

Touch Control Technology allows for quick cycle programming.

EasyGlide™ rack provides a smooth glide for easier loading & unloading.

AquaStop® leak protection works 24/7 to prevent water damage.

General Properties

Number of wash cycles	6
Number of options	6
dBA	39
Third rack	MyWay™ Rack
Rack adjustability	Rackmatic®
Tub material	Stainless Steel
Control type	Touch Control
Concealed heating element	Yes
Leak protection system	24/7 AquaStop®
Water softener	No
Five-level wash	Yes
ChildLock	No
Special features	InfoLight®, Extra Dry Option

Efficiency

Water usage per cycle	2.9
Energy efficiency class	Tier 1
ENERGY STAR® qualified	Yes
Total annual energy consumption (kWh)	269
Total annual water consumption (g)	623.5

Capacity

Number of place settings	16
--------------------------	----

Technical Details

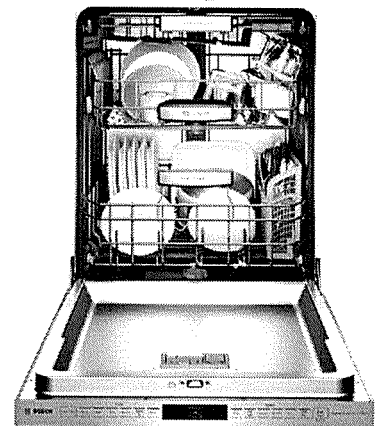
Watts (W)	1440 W
Current (A)	12 Amps
Volts (V)	120 V
Frequency (Hz)	60 Hz
Power cord length	N/A
Minimum water pressure (lb/sin)	14
Length outlet hose (in)	79"

Dimensions & Weight

Overall appliance dimensions (HxWxD) (in)	33 7/8" x 23 9/16" x 23 3/4"
Required cutout size (HxWxD) (in)	33 7/8" x 23 5/8" x 24"
Adjustable feet	Yes
Net weight (lbs)	105 lbs

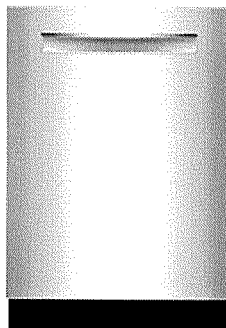
Accessories—Optional

Drain Hose Extension Kit	SGZ1010UC
Dishwasher Accessory Kit	SMZ5000
Anti-Tarnish Silverware Cassette	SMZ5002UC
Power Cord with Cold Plug	SMZPC002UC



* Based on an average of sound ratings of 24" Full Size Stainless Steel Tub dishwashers contained in major brands US & Canadian websites. Major brands defined as TraQline Top 5 Market Share (US & Canada) December 2016.

**The industry's largest 3rd rack capacity vs. major brands with a 3rd rack. Major brands defined as TraQline Top 5 Market Share March 2017.



For help and assistance with Bosch accessories please visit: www.bosch-eshop.com/eshop/bosch/us or call 1-800-944-2904 Mon-Fri 5am to 6pm PST Sat 6am to 3pm PST
Notes: All height, width and depth dimensions are shown in inches. BSH reserves the absolute and unrestricted right to change product materials and specifications, at any time, without notice. Consult the product's installation instructions for final dimensional data and other details prior to making cutout. Applicable product warranty can be found in accompanying product literature or you may contact your account manager for further details.

Warranties: Bosch warrants that the Product is free from defects in materials and workmanship for a period of three hundred and sixty-five (365) days from the date of purchase. The foregoing timeline begins to run upon the date of purchase, and shall not be stalled, tolled, extended, or suspended, for any reason whatsoever. This Product is also warranted to be free from cosmetic defects in material and workmanship (such as scratches of stainless steel, paint/porcelain blemishes, chip, dents, or other damage) to the finish of the Product, for a period of thirty (30) days from the date of purchase or closing date for new construction. This cosmetic warranty excludes slight color variations due to inherent differences in painted and porcelain parts, as well as differences caused by kitchen lighting, product location, or other similar factors. This cosmetic warranty specifically excludes any display, floor, "As Is", or "B" stock appliances.

For more information on our entire line of products, go to www.bosch-home.com/us or call 1-800-944-2904

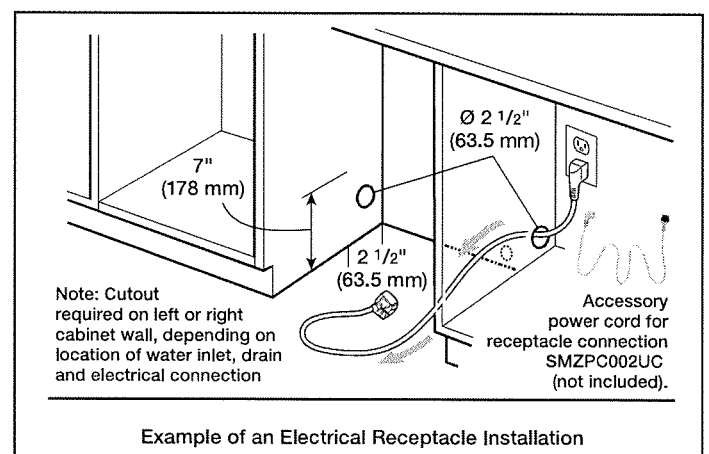
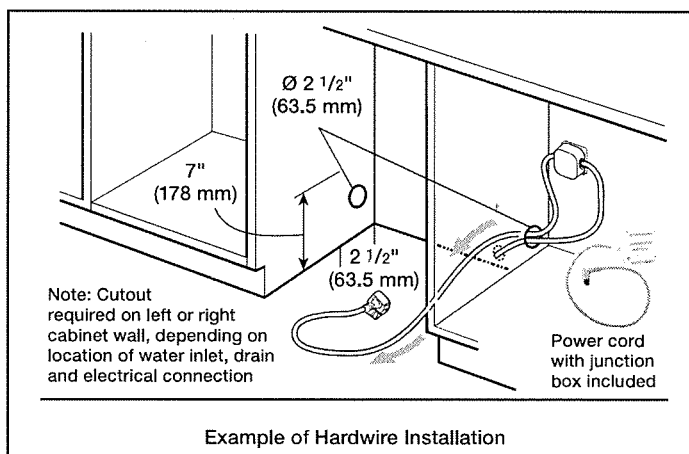
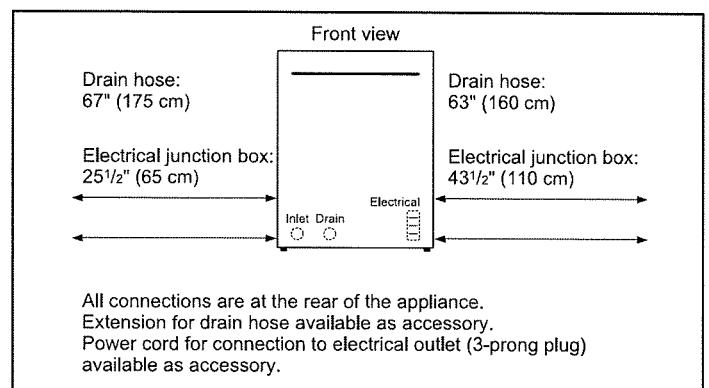
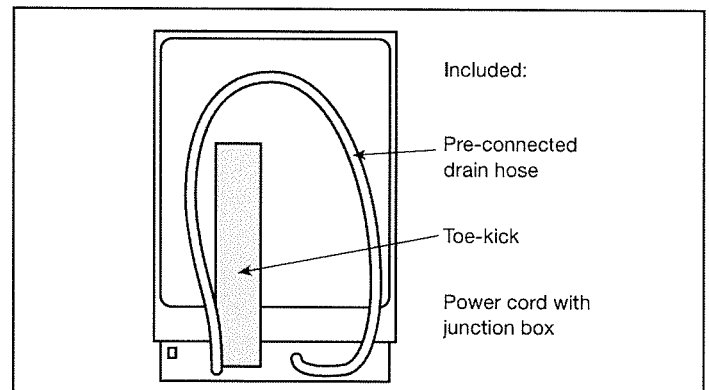
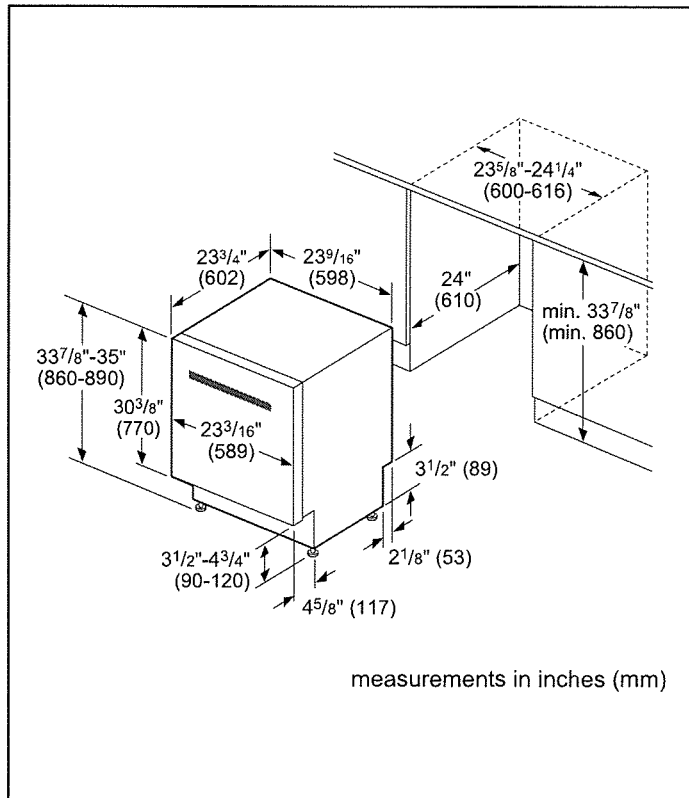
© BSH Home Appliances Corporation. All rights reserved. Bosch is a registered trademark of Robert Bosch GmbH.

24" Pocket Handle Dishwasher

800 Series – Stainless Steel SHPM98W75N



Installation Details



For help and assistance with Bosch accessories please visit: www.bosch-eshop.com/eshop/bosch/us or call 1-800-944-2904 Mon-Fri 5am to 6pm PST Sat 6am to 3pm PST

Notes: All height, width and depth dimensions are shown in inches. BSH reserves the absolute and unrestricted right to change product materials and specifications, at any time, without notice. Consult the product's installation instructions for final dimensional data and other details prior to making cutout. Applicable product warranty can be found in accompanying product literature or you may contact your account manager for further details.

Warranties: Bosch warrants that the Product is free from defects in materials and workmanship for a period of three hundred and sixty-five (365) days from the date of purchase. The foregoing timeline begins to run upon the date of purchase, and shall not be stalled, tolled, extended, or suspended, for any reason whatsoever. This Product is also warranted to be free from cosmetic defects in material and workmanship (such as scratches of stainless steel, paint/porcelain blemishes, chip, dents, or other damage) to the finish of the Product, for a period of thirty (30) days from the date of purchase or closing date for new construction. This cosmetic warranty excludes slight color variations due to inherent differences in painted and porcelain parts, as well as differences caused by kitchen lighting, product location, or other similar factors. This cosmetic warranty specifically excludes any display, floor, "As Is", or "B" stock appliances.

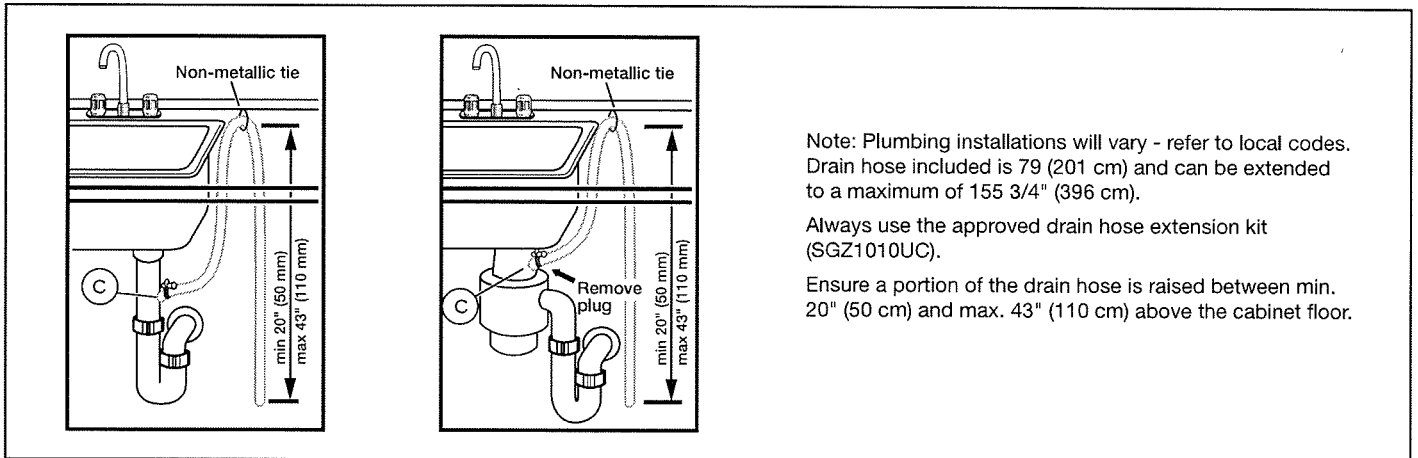
For more information on our entire line of products, go to www.bosch-home.com/us or call 1-800-944-2904

24" Pocket Handle Dishwasher

800 Series – Stainless Steel SHPM98W75N



Installation Details



For help and assistance with Bosch accessories please visit: www.bosch-eshop.com/eshop/bosch/us or call 1-800-944-2904 Mon-Fri 5am to 6pm PST Sat 6am to 3pm PST

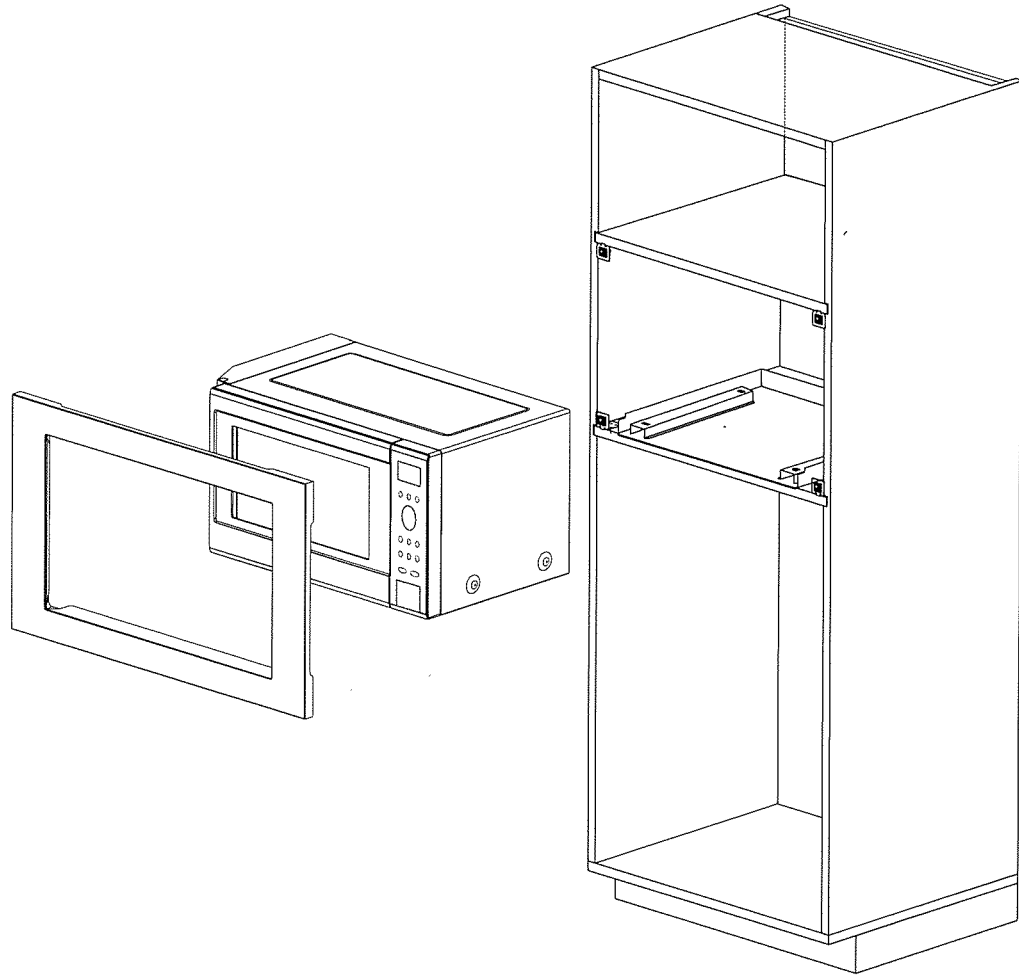
Notes: All height, width and depth dimensions are shown in inches. BSH reserves the absolute and unrestricted right to change product materials and specifications, at any time, without notice. Consult the product's installation instructions for final dimensional data and other details prior to making cutout. Applicable product warranty can be found in accompanying product literature or you may contact your account manager for further details.

Warranties: Bosch warrants that the Product is free from defects in materials and workmanship for a period of three hundred and sixty-five (365) days from the date of purchase. The foregoing timeline begins to run upon the date of purchase, and shall not be stalled, tolled, extended, or suspended, for any reason whatsoever. This Product is also warranted to be free from cosmetic defects in material and workmanship (such as scratches of stainless steel, paint/porcelain blemishes, chip, dents, or other damage) to the finish of the Product, for a period of thirty (30) days from the date of purchase or closing date for new construction. This cosmetic warranty excludes slight color variations due to inherent differences in painted and porcelain parts, as well as differences caused by kitchen lighting, product location, or other similar factors. This cosmetic warranty specifically excludes any display, floor, "As Is", or "B" stock appliances.

For more information on our entire line of products, go to www.bosch-home.com/us or call 1-800-944-2904

© BSH Home Appliances Corporation. All rights reserved. Bosch is a registered trademark of Robert Bosch GmbH.

2. Installation Diagram
 2. Schéma d'installation
 2. Diagrama de instalación



Trim Kit Dimensions	
Width	596 mm (23 ¹ / ₂ "
Height	410 mm (16 ¹ / ₈ "
Depth (Thickness)	20 mm (3/4"

Dimensions du nécessaire d'encastrement	
Largeur	596 mm (23 ¹ / ₂ po)
Hauteur	410 mm (16 ¹ / ₈ po)
Profondeur (épaisseur)	20 mm (3/4 po)

Dimensiones del juego de acabados	
Ancho	23 ¹ / ₂ " (596 mm)
Altura	16 ¹ / ₈ " (410 mm)
Profundidad (grosor)	3/4" (20 mm)

3. Cabinet Diagram and Dimensions

3. Schéma de l'armoire et dimensions

3. Dimensiones y diagrama del gabinete

fig 1.

