

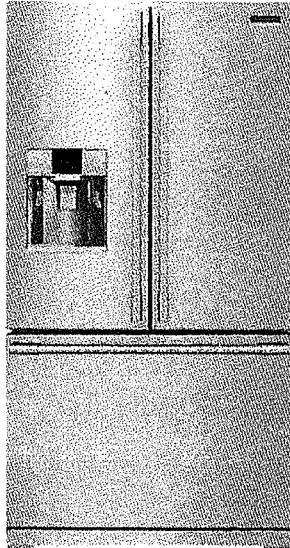
342



French Door Refrigerator

FPBC2277RF

22 Cu. Ft. Counter-Depth



Product Dimensions

Height (Including Hinges & Rollers)	69-7/8"
Width (Doors)	36"
Depth (Including Door)	28-1/2"

More Easy-To-Use Features

PureSource Ultra® II Water Filtration
 Drink and cook with Pure Water. PureSource Ultra® II Water Filters remove 99.3% of lead and 99.99% of cysts from your household water.*

Counter-Depth Design
 Built-in look, maximize your space. Save over 4 inches of kitchen floor space with our counter-depth design.†

SpacePro™ Adjustable Crisper Bins
 Optimize your space and keep food fresh with our crisper bins that adjust a variety of ways and keep produce at the ideal humidity level.

SpacePro™ Flip-Up Shelves
 Adjusts to fit a variety of foods and beverages, big or small, for quick access.

SpacePro™ Freezer System
 Optimize your freezer space with the PowerGlide™ Freezer Drawer and the SpacePro™ Freezer Basket with Adjustable Divider, keeping frozen foods organized and accessible.

Automatic Alerts
 Alerts you if the door is left open, if the temperature rises or if the power goes out so your food stays at its optimal temperature.

SpacePro™ Full-Width Drawer
 Keep a variety of foods fresh and easily accessible with our SpacePro™ Drawer.

SpacePro™ Door Bins
 Access fresh food from our gallon-size door bins quickly.

Sabbath Mode (Star-K® Certified)

Available In:

Stainless (F)

**Based on a six-hour closed door test of certain common odors in the fresh food compartment of a 21 Cu. Ft. refrigerator.*

†Tests are certified by NSF International. See performance data sheet for individual contaminants and reduction performance.

†Compared to a Frigidaire Standard-Depth French Door Bottom Mount Refrigerator.

frigidaire.ca

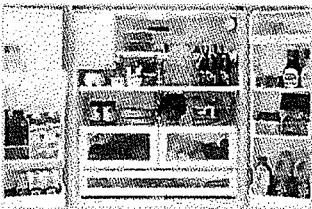
Signature Features



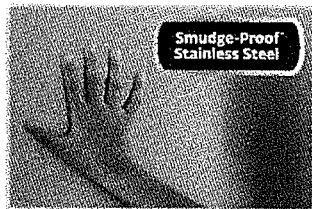
PureAir Ultra® Filtration System
 Fresh air offers great taste. PureAir Ultra® Filtration removes up to 7 times more odour than baking soda to keep ingredients tasting fresh.†



SpacePro™ Slide-Under Shelf
 Slides under to fit a variety of tall foods and beverages to optimize your space.



SpacePro™ Shelving System
 Offers quick access to fresh ingredients with organizational solutions designed for space optimization like SpacePro™ Slide-Under & Flip-Up Shelves and SpacePro™ Adjustable Crisper Bins.



Smudge-Proof™
 Resists fingerprints and cleans easily.

FRIGIDAIRE

PROFESSIONAL

French Door Refrigerator

FPBC2277RF 22 Cu. Ft. Counter-Depth

Features

Door Design	Square Doors
Door Handle Design	Stainless Steel
Cabinet Finish	Grey
Door Stops/Door Closers	Yes/Yes
Door Hinge Covers	Hidden
Rollers - Front/Rear	Adjustable/Yes
Energy Saver Plus Technology	
Water Filter Location	Top-Right Fresh Food Section
Sound Package	Quiet Design

Dispenser

Controls	PrecisionPro™
Dispenser Design	Flush, Single-Paddle
Number of Dispenser Buttons	1s
Crushed Ice/Cube Ice/Chilled Water	Yes/Yes/Yes
Ice Option/Freeze Option	No/PowerPlus® Freeze
Display On/Off Option	
Lock/Light	No/Yes
Temp./Door Ajar/Power Failure Alerts	Yes/Yes/Yes
Water Filter Change Indicator Light	Yes
Air Filter Change Indicator Light	Yes

Refrigerator Features

Lighting	PowerBright™ LED
Water Filter Type	PureSource Ultra™ II
Air Filter Type	PureAir Ultra™
Quarter-Width Fixed Shelves	1 SpacePro™ Flip-Up
Half-Width Fixed Shelves	1 SpacePro™ Slide-Under
Quarter-Width Sliding Shelves	
Half-Width Sliding Shelves	2 SpacePro™
Cantilever Shelves	Yes
SpacePro™ Full-Width Drawer	1
Hanging Wine Rack/Can Dispenser	1 Clear/No
SpacePro™ Adjustable Crisper Drawer/Humidity Controls	2 Clear/2
Dairy Compartment	1 Clear (Right Door)
SpacePro™ Fixed Door Bins	2 White (1 per door)
2-Litre Fixed Door Bins	1 Clear
Gallon Adjustable Door Bins	1 Clear
3-Litre Adjustable Door Bins	
Dispenser Bin	
Non-Slip Bin Liner/Bottle Retainers	3 Grey/Yes (Dispenser Bin Only)

Freezer Features

PowerGlide™ Pull-Out Drawer	Yes
Sliding Full-Width Freezer Baskets	2 SpacePro™
Basket Dividers	1 (Bottom Basket)
Lighting	PowerBright™ LED
Automatic Ice Maker (2nd Ice Maker)	Yes

Certifications

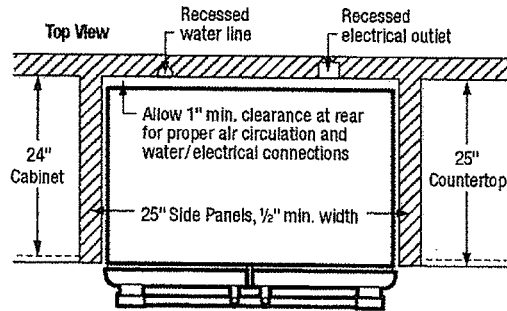
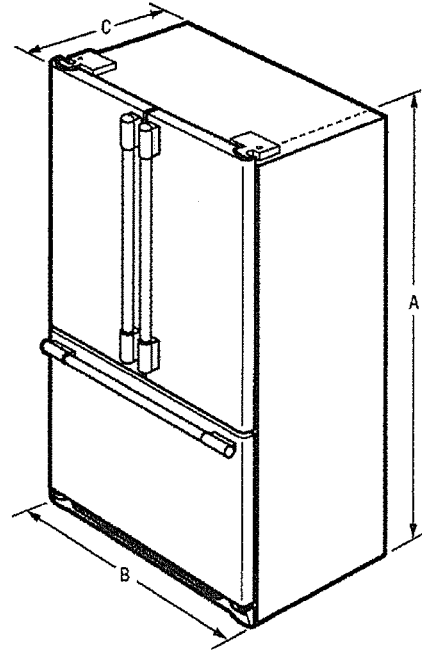
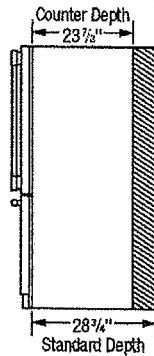
Sabbath Mode (Star-K® Certified)	Yes
----------------------------------	-----

Specifications

Total Capacity (Cu. Ft.)	22.6
Refrigerator Capacity (Cu. Ft.)	15.7
Freezer Capacity (Cu. Ft.)	6.9
Power Supply Connection Location	Right Bottom Rear
Water Inlet Connection Location	Left Bottom Rear
Voltage Rating	120V/60Hz/15A
Connected Load (kW rating) @ 120 Volts	1.02
Amps @ 120 Volts	8.5
Minimum Circuit Required (Amps)	15
Shipping Weight (Approx.)	345 Lbs.

For use on adequately wired 120V, dedicated circuit having 2-wire service with a separate ground wire. Appliance must be grounded for safe operation.

Standard Refrigerator Depth vs. Counter Depth



NOTE: For planning purposes only. Always consult local and national electric and plumbing codes. Refer to Product Installation Guide for detailed installation instructions on the web at frigidaire.ca.



Product Dimensions

A - Height (Incl. Hinges & Rollers)	69-7/8"
B - Cabinet Width/Door Width	35-7/8" / 36"
C - Depth (Incl. Door)	28-1/2"
Depth with Door Open 90°	42-1/2"
Depth with Drawer Fully Extended (Incl. Handle)	45-1/2"

"Built-In Look" Cutout Dimensions

Height (Incl. Hinges and Rollers)	70-1/4"
Width	36"
Depth	25"

FRIGIDAIRE

CANADA • 5855 Terry Fox Way • Mississauga, ON L5V 3E4 • 1-800-265-8352 • frigidaire.ca

FPBC2277R 05/15

© 2015 Electrolux Major Appliances, NA

Accessories information available on the web at frigidaire.ca

Specifications subject to change
Printed in Canada



