

GOEMANS APPLIANCES

1-877-463-6267

HST # 105167993 WWW.GOEMANS.COM
Find us on Facebook at www.facebook.com/GoemansAppliances

PACKING SLIP

HB00014065

Salesperson: JASON NG
Purchase Date: 10/09/16
Invoice Finished Date:
Delivery/Pickup Date: Apr 03, 2017
Invoice Type: VBL
Date Printed: Oct 13, 2016
Page: 1

ONLINE BANKING ACCOUNT

BILL TO: 4162946268

JOSEPH, STANLEY & ANITA

178 GIBSON CIRCLE

LOT 261

BRADFORD, ON TBD

TEL# (416) 294-6268 BUS# (647) 201-0543

SHIP TO: 4162946268

JOSEPH, STANLEY & ANITA

178 GIBSON CIRCLE

LOT 261

BRADFORD, ON TBD

TEL# (416) 294-6268 BUS# (647) 201-0543

Directions: 6TH LINE & SIMCOE ROAD

QTY	LOC	MODEL #	SERIAL #	COLOUR	BRAND - DESCRIPTION
1		KRMF606ESS		STAINLES	KIT, REBF5: REFRIGERATOR, FRENCH 5-DOOR, FRE 26.2 CU FT, 5 DR DESIGN, LED LT, ELEC CTRL, EXT I&W, 2
-1		P-CKIT-1609-25P			
1		KOCE500ESS		STAINLES	KIT, OVC: OVEN, COMBO 30, 5.0 CU. FT, MICRO 1.4 CU.FT/900W, TRU CNVCN, HIDD
-1		P-CKIT-1609-25P			
1		W10752693		STAINLES	KIT, AOV: ACCESSORY, OVEN 30 FLUSH INSTALLATION KIT (FOR COMBI INSTALLED AT
This special order or clearance product requires a 50% deposit & is considered FINAL SALE.					
1		KCGS956ESS		STAINLES	KIT, CTGD: COOKTOP, GAS, DROP-IN 36, 5 BRNR, COOKSHIELD, 20K BTU DUAL, GRDL INCL
-1		P-CKIT-1609-25P			
1		KDTE204ESS		STAINLES	KIT, DISIC: DISHWASHER, INTEGRATED, COLOUR 46DB, 6CYC, 6OPT, 3RD RCK, 14 PL STNG, UPR STN GLD RK
-1		P-CKIT-1609-25P			
PART# W10574777 REQUIRED FOR INSTALLATION (EXTRA CHARGE).					
1		KVWB606DSS		STAINLES	KIT, HOWC: HOOD, WALL MOUNT 36WALL MOUNT HOOD, 600CFM, 4SPD W/LCD, AUTO SNS
-1		P-CKIT-1609-25P			
1		KCH2S10KM		BLACK	KITC, COUN: COUNTER-TOP APPLIANCES 10 PIECE SET (8, 10, 1.5, 3.0, 3.5, 8.0) HARD ANODIZE

- All products remain the property of Goemans until paid in full.
- Removal of old appliances at owner's risk and must be disconnected.
- Please refer to delivery/installation brochures for important details.
- All authorized returned products will be subject to a restocking charge.
- Interest of 18% per annum will be charged on overdue accounts.
- Upon delivery customer agrees to accept service in accordance with manufacturer's warranty.
- This sales invoice is based on delivery within 12 months from date of purchase. After 12 months (or if market conditions adversely change) Goemans reserves the right to review pricing/delivery on this order and offer our customers options to accommodate these changes. Any & all date sensitive supplier promotions are exempt from the 12 month price guarantee and must be taken by the promotional delivery deadline.

WHITE CUSTOMER COPY

PINK GOEMANS COPY

GOEMANS APPLIANCES

1-877-463-6267

HST # 105167993 WWW.GOEMANS.COM
Find us on Facebook at www.facebook.com/GoemansAppliances

PACKING SLIP

HB00014065

Salesperson: JASON NG
Purchase Date: 10/09/16
Invoice Finished Date:
Delivery/Pickup Date: Apr 03, 2017
Invoice Type: VBL
Date Printed: Oct 13, 2016
Page: 2

ONLINE BANKING ACCOUNT

BILL TO: 4162946268

JOSEPH, STANLEY & ANITA
178 GIBSON CIRCLE
LOT 261
BRADFORD, ON TBD

TEL# (416) 294-6268 BUS# (647) 201-0543

SHIP TO: 4162946268

JOSEPH, STANLEY & ANITA
178 GIBSON CIRCLE
LOT 261
BRADFORD, ON TBD

TEL# (416) 294-6268 BUS# (647) 201-0543

Directions: 6TH LINE & SIMCOE ROAD

QTY	LOC	MODEL #	SERIAL #	COLOUR	BRAND - DESCRIPTION
-----	-----	---------	----------	--------	---------------------

1		NEFL50FH			NAPE, FPELW: ELECTRIC FIREPLACE, WALL MOUNT WALL MOUNT 50" ALLURE ELECTRIC F/P WITH HEATER
---	--	----------	--	--	---

This special order product requires a 50% deposit & is considered FINAL SALE. x _____
PLEASE ALLOW UP TO 4-12 WEEKS FOR DELIVERY OF THIS PIECE.
THIS FIREPLACE HAS PARTS ONLY WARRANTY COVERAGE, PLEASE CALL SERVICE
DEPARTMENT TO ORDER THE REQUIRED PARTS. PLEASE REFER TO PARTS LIST
LOCATED IN YOUR MANUAL

1		P-DELIVERY \$10,000-19,999			
-1		SALES DELIVERY ALLOWANCE			
		SPP 4 YR EXT GOLD - 5 APP - \$10000-14999			

Model #	Mfg Wty # of Months
KRMF606ESS	12
KOCE500ESS	12
KCGS956ESS	12
KDTE204ESS	12
KVWB606DSS	12

Payment

VISA

- All products remain the property of Goemans until paid in full.
- Removal of old appliances at owner's risk and must be disconnected.
- Please refer to delivery/installation brochures for important details.
- All authorized returned products will be subject to a restocking charge.
- Interest of 18% per annum will be charged on overdue accounts.
- Upon delivery customer agrees to accept service in accordance with manufacturer's warranty.
- This sales invoice is based on delivery within 12 months from date of purchase. After 12 months (or if market conditions adversely change) Goemans reserves the right to review pricing/delivery on this order and offer our customers options to accommodate these changes. Any & all date sensitive supplier promotions are exempt from the 12 month price guarantee and must be taken by the promotional delivery deadline.

WHITE CUSTOMER COPY

PINK GOEMANS COPY

GOEMANS APPLIANCES

HB00014065

1-877-463-6267

HST # 105167993 WWW.GOEMANS.COM
Find us on Facebook at www.facebook.com/GoemansAppliances

PACKING SLIP

Salesperson: JASON NG
Purchase Date: 10/09/16
Invoice Finished Date:
Delivery/Pickup Date: Apr 03, 2017
Invoice Type: VBL
Date Printed: Oct 13, 2016
Page: 1



ONLINE BANKING ACCOUNT

BILL TO: 4162946268

JOSEPH, STANLEY & ANITA
178 GIBSON CIRCLE
LOT 261
BRADFORD, ON TBD

TEL# (416) 294-6268 BUS# (647) 201-0543

SHIP TO: 4162946268

JOSEPH, STANLEY & ANITA
178 GIBSON CIRCLE
LOT 261
BRADFORD, ON TBD

TEL# (416) 294-6268 BUS# (647) 201-0543

Directions: 6TH LINE & SIMCOE ROAD

QTY	LOC	MODEL #	SERIAL #	COLOUR	BRAND - DESCRIPTION
1		KRMF606ESS		STAINLES	KIT, REBF5: REFRIGERATOR, FRENCH 5-DOOR, FRE 26.2 CU FT, 5 DR DESIGN, LED LT, ELEC CTRL, EXT I&W, 2
-1		P-CKIT-1609-25P			
1		KOCE500ESS		STAINLES	KIT, OVC: OVEN, COMBO 30, 5.0 CU. FT. MICRO 1.4 CU. FT/900W, TRU CNVCN, HIDD
-1		P-CKIT-1609-25P			
1		W10752693		STAINLES	KIT, AOV: ACCESSORY, OVEN 30 FLUSH INSTALLATION KIT (FOR COMBI INSTALLED AT This special order or clearance product requires a 50% deposit & is considered FINAL SALE.
		X			
1		KCGS956ESS		STAINLES	KIT, CTGD: COOKTOP, GAS, DROP-IN 36, 5 BRNR, COOKSHIELD, 20K BTU DUAL, GRDL INCL
-1		P-CKIT-1609-25P			
1		KDTE204ESS		STAINLES	KIT, DISIC: DISHWASHER, INTEGRATED, COLOUR 46DB, 6CYC, 6OPT, 3RD RCK, 14 PL STNG, UPR STN GLD RK
-1		P-CKIT-1609-25P			
1		PART# W10574777			REQUIRED FOR INSTALLATION (EXTRA CHARGE).
1		KVWB606DSS		STAINLES	KIT, HOWC: HOOD, WALL MOUNT 36 WALL MOUNT HOOD, 600CFM, 4SPD W/LCD, AUTO SNS
-1		P-CKIT-1609-25P			
1		KCH2S10KM		BLACK	KITC, COUN: COUNTER-TOP APPLIANCES 10 PIECE SET (8, 10, 1.5, 3.0, 3.5, 8.0) HARD ANODIZE

- All products remain the property of Goemans until paid in full.
- Removal of old appliances at owner's risk and must be disconnected.
- Please refer to delivery/installation brochures for important details.
- All authorized returned products will be subject to a restocking charge.
- Interest of 18% per annum will be charged on overdue accounts.
- Upon delivery customer agrees to accept service in accordance with manufacturer's warranty.
- This sales invoice is based on delivery within 12 months from date of purchase. After 12 months (or if market conditions adversely change) Goemans reserves the right to review pricing/delivery on this order and offer our customers options to accommodate these changes. Any & all date sensitive supplier promotions are exempt from the 12 month price guarantee and must be taken by the promotional delivery deadline.

WHITE CUSTOMER COPY

PINK GOEMANS COPY

GOEMANS APPLIANCES

1-877-463-6267

HST # 105167993 WWW.GOEMANS.COM
Find us on Facebook at www.facebook.com/GoemansAppliances

PACKING SLIP

HB00014065

Salesperson: JASON NG
Purchase Date: 10/09/16
Invoice Finished Date:
Delivery/Pickup Date: Apr 03, 2017
Invoice Type: VBL
Date Printed: Oct 13, 2016
Page: 2



ONLINE BANKING ACCOUNT

BILL TO: 4162946268

JOSEPH, STANLEY & ANITA
178 GIBSON CIRCLE
LOT 261
BRADFORD, ON TBD

TEL# (416) 294-6268 BUS# (647) 201-0543

Directions: 6TH LINE & SIMCOE ROAD

SHIP TO: 4162946268

JOSEPH, STANLEY & ANITA
178 GIBSON CIRCLE
LOT 261
BRADFORD, ON TBD

TEL# (416) 294-6268 BUS# (647) 201-0543

QTY	LOC	MODEL #	SERIAL #	COLOUR	BRAND - DESCRIPTION												
1		NEFL50FH			NAPE, FPELW: ELECTRIC FIREPLACE, WALL MOUNT WALL MOUNT 50" ALLURE ELECTRIC F/P WITH HEATER												
		This special order product requires a 50% deposit & is considered FINAL SALE. x _____ PLEASE ALLOW UP TO 4-12 WEEKS FOR DELIVERY OF THIS PIECE. THIS FIREPLACE HAS PARTS ONLY WARRANTY COVERAGE, PLEASE CALL SERVICE DEPARTMENT TO ORDER THE REQUIRED PARTS. PLEASE REFER TO PARTS LIST LOCATED IN YOUR MANUAL P-DELIVERY \$10,000-19,999 SALES DELIVERY ALLOWANCE SPP 4 YR EXT GOLD - 5 APP - \$10000-14999															
1		<table border="1"> <thead> <tr> <th>Model #</th> <th>Mfg Wty # of Months</th> </tr> </thead> <tbody> <tr> <td>KRMF606ESS</td> <td>12</td> </tr> <tr> <td>KOCE500ESS</td> <td>12</td> </tr> <tr> <td>KCGS956ESS</td> <td>12</td> </tr> <tr> <td>KDTE204ESS</td> <td>12</td> </tr> <tr> <td>KVWB606DSS</td> <td>12</td> </tr> </tbody> </table>				Model #	Mfg Wty # of Months	KRMF606ESS	12	KOCE500ESS	12	KCGS956ESS	12	KDTE204ESS	12	KVWB606DSS	12
Model #	Mfg Wty # of Months																
KRMF606ESS	12																
KOCE500ESS	12																
KCGS956ESS	12																
KDTE204ESS	12																
KVWB606DSS	12																
-1		Payment VISA															

- All products remain the property of Goemans until paid in full.
- Removal of old appliances at owner's risk and must be disconnected.
- Please refer to delivery/installation brochures for important details.
- All authorized returned products will be subject to a restocking charge.
- Interest of 18% per annum will be charged on overdue accounts.
- Upon delivery customer agrees to accept service in accordance with manufacturer's warranty.
- This sales invoice is based on delivery within 12 months from date of purchase. After 12 months (or if market conditions adversely change) Goemans reserves the right to review pricing/delivery on this order and offer our customers options to accommodate these changes. Any & all date sensitive supplier promotions are exempt from the 12 month price guarantee and must be taken by the promotional delivery deadline.

WHITE CUSTOMER COPY

PINK GOEMANS COPY

Bottom Mount Refrigerator

PRODUCT MODEL NUMBERS

KRMF606E KRMF706E

Electrical: A 115 volt, 60 Hz. AC only, 15- or 20-amp fused, grounded electrical supply is required. It is recommended that a separate circuit serving only your refrigerator be provided. Use an outlet that cannot be turned off by a switch. Do not use an extension cord.

Water: A cold water supply with water pressure between 35 and 120 psi (241 and 827 kPa) is required to operate the water dispenser and ice maker. If you have questions about your water pressure, call a licensed, qualified plumber.

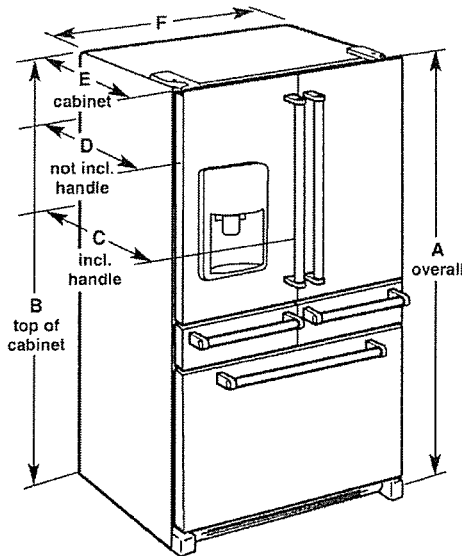
NOTE: If the water pressure is less than what is required, the flow of water from the water dispenser could decrease or ice cubes could be hollow or irregular shaped.

Reverse Osmosis Water Supply:

IMPORTANT: The pressure of the water supply coming out of a reverse osmosis system going to the water inlet valve of the refrigerator needs to be between 35 and 120 psi (241 and 827 kPa).

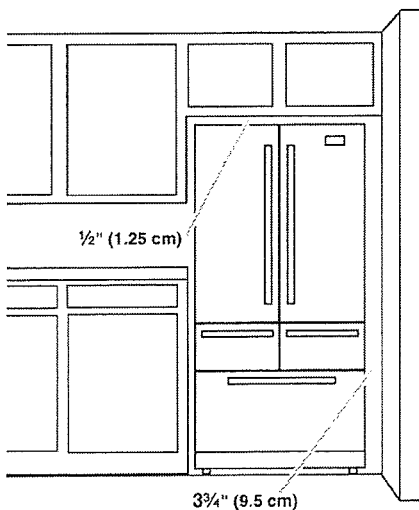
If a reverse osmosis water filtration system is connected to your cold water supply, the water pressure to the reverse osmosis system needs to be a minimum of 40 to 60 psi (276 to 414 kPa).

PRODUCT DIMENSIONS



Model Size	Height - Overall "A"	Height - Top of Cabinet "B"	Depth - With Handles "C"	Depth - Without Handles "D"	Depth - Cabinet Only "E"	Width - Cabinet "F"
25.8	70 ³ / ₄ " (178.1 cm)	68 ³ / ₄ " (173.7 cm)	36 ¹ / ₄ " (92.1 cm)	34 ¹ / ₂ " (87.7 cm)	29" (73.7 cm)	35 ³ / ₄ " (90.5 cm)

LOCATION REQUIREMENTS



IMPORTANT: This refrigerator is designed for indoor, household use only.

To ensure proper ventilation for your refrigerator, allow for a 1/2" (1.25 cm) of space on each side and at the top. Allow for a 1" (2.54 cm) space behind the refrigerator. If your refrigerator has an ice maker, allow extra space at the back for the water line connections. When installing your refrigerator next to a fixed wall, leave a 3/4" (9.5 cm) minimum space between the refrigerator and wall to allow the door to swing open.

NOTE: This refrigerator is intended for use in a location where the temperature ranges from a minimum of 55°F (13°C) to a maximum of 110°F (43°C). The preferred room temperature range for optimum performance, which reduces electricity usage and provides superior cooling, is between 60°F (15°C) and 90°F (32°C). It is recommended that you do not install the refrigerator near a heat source, such as an oven or radiator.

INSTALLATION INSTRUCTIONS 27" (68.6 CM) AND 30" (76.2 CM) ELECTRIC MICROWAVE/OVEN COMBINATION FLUSH INSTALLATION KIT

INSTRUCTIONS D'INSTALLATION POUR TROUSSE D'INSTALLATION EN AFFLEUREMENT D'UN ENSEMBLE FOUR À MICRO-ONDES ÉLECTRIQUE/FOUR DE 27" (68,6 CM) ET 30" (76,2 CM)

Flush Installation Kit Part Number Ensemble d'installation en affleurement référence	Size and Color Dimensions et couleur	UL Listed for Model Numbers Homologation UL pour les modèles numéro
W10752695	27" (68.6 cm), black 27" (66,6 cm), noir	KOCE507EBL
W10752694	27" (68.6 cm), white 27" (68,6 cm), blanc	KOCE507EWH
W10752696	27" (68.6 cm), stainless steel 27" (68,6 cm), acier inoxydable	KOCE507ESS
W10752688	30" (76.2 cm), black 30" (76,2 cm), noir	KOCE500EBL
W10752691	30" (76.2 cm), black stainless 30" (76,2 cm), noir inoxydable	KOCE500EBS
W10752687	30" (76.2 cm), white 30" (76,2 cm), blanc	KOCE500EWH
W10752693	30" (76.2 cm), stainless steel 30" (76,2 cm), acier inoxydable	KOCE500ESS

Table of Contents/Table des matières

<p>BUILT-IN OVEN SAFETY2</p> <p>INSTALLATION REQUIREMENTS2</p> <p style="padding-left: 20px;">Tools and Parts2</p> <p style="padding-left: 20px;">Location Requirements2</p> <p>INSTALLATION INSTRUCTIONS4</p> <p style="padding-left: 20px;">Prepare Built-In Microwave/Oven Combination.....4</p> <p style="padding-left: 20px;">Remove Oven Door.....4</p> <p style="padding-left: 20px;">Replace Oven Door.....4</p> <p style="padding-left: 20px;">Positioning Oven Feet.....5</p> <p style="padding-left: 20px;">Replace Plastic Spacers6</p> <p style="padding-left: 20px;">Install Oven.....7</p> <p style="padding-left: 20px;">Install Deflector Bracket.....7</p> <p style="padding-left: 20px;">Complete Installation8</p>	<p>SÉCURITÉ DU FOUR ENCASTRÉ9</p> <p>EXIGENCES D'INSTALLATION9</p> <p style="padding-left: 20px;">Outils et pièces9</p> <p style="padding-left: 20px;">Exigences d'emplacement9</p> <p>INSTRUCTIONS D'INSTALLATION.....11</p> <p style="padding-left: 20px;">Préparation de l'ensemble des fours encastrés (micro-ondes/four).....11</p> <p style="padding-left: 20px;">Dépose de la porte(s) du four.....11</p> <p style="padding-left: 20px;">Réinstallation de la porte(s) du four12</p> <p style="padding-left: 20px;">Positionnement des pieds du four13</p> <p style="padding-left: 20px;">Remplacement des cales d'espacement en plastique.....14</p> <p style="padding-left: 20px;">Installation du four.....14</p> <p style="padding-left: 20px;">Installation du support de la trousse du déflecteur15</p> <p style="padding-left: 20px;">Achever l'installation15</p>
---	---

IMPORTANT:
Save for local electrical inspector's use.

IMPORTANT :
À conserver pour consultation par l'inspecteur local des installations électriques.

BUILT-IN OVEN SAFETY

Your safety and the safety of others are very important.

We have provided many important safety messages in this manual and on your appliance. Always read and obey all safety messages.



This is the safety alert symbol.

This symbol alerts you to potential hazards that can kill or hurt you and others.

All safety messages will follow the safety alert symbol and either the word "DANGER" or "WARNING."

These words mean:

⚠ DANGER

You can be killed or seriously injured if you don't immediately follow instructions.

⚠ WARNING

You can be killed or seriously injured if you don't follow instructions.

All safety messages will tell you what the potential hazard is, tell you how to reduce the chance of injury, and tell you what can happen if the instructions are not followed.

INSTALLATION REQUIREMENTS

Tools and Parts

Gather the required tools and parts before starting installation. Read and follow the instructions provided with any tools listed here.

Tools Needed

- Phillips screwdriver
- Measuring tape
- Drill (for wall cabinet installations)
- 1/8" (3 mm) drill bit (for wall cabinet installations)
- Level
- Flat-blade screwdriver

Parts Needed

- (4) #8-14 x 1" screws
- (2) #8-18 x 3/8" screws - bottom vent included with built-in oven
- Bottom vent included with built-in oven

Parts Supplied

- Deflector bracket



- (2) Plastic spacers



- #8-18 x 1/4" screws - (2) for 27" (68.6 cm) models; (4) for 30" (76.2 cm) models - deflector bracket
- (4) #8-18 x 3/8" screws - oven feet
- (2) feet
- (2) front feet

Location Requirements

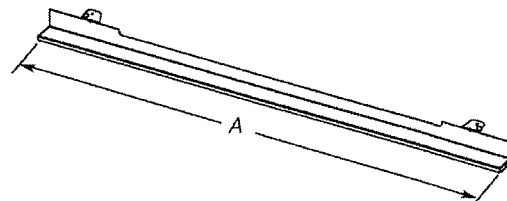
IMPORTANT: Observe all governing codes and ordinances.

NOTE: Refer to the following "Location Requirements" and the "Location Requirements" section of the Installation Instructions provided with your built-in oven.

- Cabinet opening dimensions that are shown must be used. Given dimensions provide minimum clearance for the oven.
- The recessed installation area must provide complete enclosure around the recessed portion of the oven.
- The oven support surface must be solid, level and flush with the bottom of the cabinet cutout.
- The floor must be able to support a total weight (microwave and built-in oven) of 208 lbs (95 kg) for 27" (68.6 cm) models or 249 lbs (113 kg) for 30" (76.2 cm) models.

IMPORTANT: To avoid damage to your cabinets, check with your builder or cabinet supplier to make sure that the materials used will not discolor, delaminate or sustain other damage. This oven has been designed in accordance with the requirements of UL and CSA International and complies with the maximum allowable wood cabinet temperatures of 194°F (90°C).

Deflector Bracket Dimensions



27" (68.6 cm) Models
A. 26 15/16" (68.4 cm) overall width

30" (76.2 cm) Models
A. 29 15/16" (76.0 cm) overall width

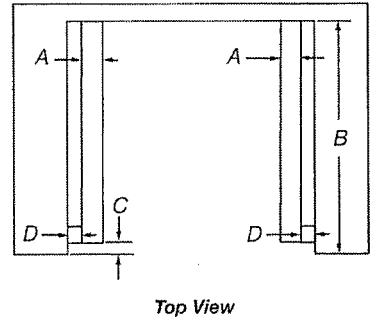
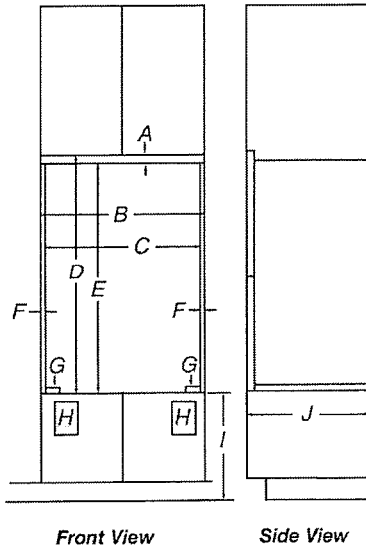
261

Cabinet Dimensions - Flush Installations

A 25 3/8" (64.4 cm) minimum cutout depth is required.

These dimensions will result in a 1/4" (6 mm) reveal on the top, a 1/4" (6 mm) reveal on the sides, and a 1/8" (3 mm) reveal on the bottom of the wall oven.

The front face of the cleats and platform will be visible and should be treated as a finished surface.



27" (68.6 cm) Models

- A. 1/2" x 2" (13 mm x 5.1 cm) spacer the entire depth of the cutout*
- B. 25 3/8" (64.4 cm) depth of cutout
- C. 1 3/8" (3.5 cm) recess from front of cabinet
- D. 1/16" (17 mm) side cleat*

30" (76.2 cm) Models

- A. 1/2" x 2" (13 mm x 5.1 cm) spacer the entire depth of the cutout*
- B. 25 3/8" (64.4 cm) depth of cutout
- C. 1 3/8" (3.5 cm) recess from front of cabinet
- D. 1/16" (17 mm) side cleat*

*Cleats and spacers must be recessed 1 3/8" (3.5 cm) from the front of the cabinet.

27" (68.6 cm) Models

- A. 3/8" (16 mm) top cleat*
- B. 27 1/4" (69.2 cm) minimum width of flush inset cutout
- C. 25 3/8" (65.7 cm) minimum width of opening
- D. 43 1/8" (109.5 cm) minimum height of flush inset cutout
- E. 42 1/2" (107.9 cm) recommended cutout height
- F. 1/16" (17 mm) side cleat*
- G. 1/2" x 2" (13 mm x 5.1 cm) spacer the entire depth of the cutout*
- H. Recommended junction box location
- I. 4 3/8" - 19 1/4" (11.7 - 48.9 cm) bottom of cutout to floor
- J. 25 3/8" (64.4 cm) minimum depth of cutout

30" (76.2 cm) Models

- A. 3/8" (16 mm) top cleat*
- B. 30 1/4" (76.8 cm) minimum width of flush inset cutout
- C. 28 3/8" (73.3 cm) minimum width of opening
- D. 43 1/8" (109.5 cm) minimum height of flush inset cutout
- E. 42 1/2" (107.9 cm) recommended cutout height
- F. 1/16" (17 mm) side cleat*
- G. 1/2" x 2" (13 mm x 5.1 cm) spacer the entire depth of the cutout*
- H. Recommended junction box location
- I. 4 3/8" - 19 1/2" (11.7 - 48.9 cm) bottom of cutout to floor
- J. 25 3/8" (64.4 cm) minimum depth of cutout

*Cleats and spacers must be recessed 1 3/8" (3.5 cm) from the front of the cabinet.

261

30" (76.2 CM) AND 36" (91.4 CM) GAS BUILT-IN COOKTOP

PRODUCT MODEL NUMBERS

KCGS350E	KCGS950E	MGC9530D	WCG75US0D
KCGS356E	KCGS956E	MGC9536D	WCG97US0D
KCGS550E	MGC7430D	WCG51US0D	WCG97US6D
KCGS556E	MGC7536D	WCG51US6D	

GAS SUPPLY REQUIREMENTS

Type of Gas

Natural Gas:

- This cooktop is factory set for use with Natural gas. If converting to LP gas, see the "LP Gas Conversion" instructions provided in the package containing literature. The model/serial rating plate located on the underside of the cooktop base has information on the types of gas that can be used. If the types of gas listed do not include the type of gas available, check with the local gas supplier.

LP Gas Conversion:

Conversion must be done by a qualified service technician.

No attempt shall be made to convert the cooktop from the gas specified on the model/serial rating plate for use with a different gas without consulting the serving gas supplier. See the Gas Conversion instructions provided in the package containing literature.

Gas Supply Line

- Provide a gas supply line of 3/4" (1.9 cm) rigid pipe to the cooktop location. A smaller size pipe on longer runs may result in insufficient gas supply. Pipe-joint compounds that resist the action of LP gas must be used. Do not use TEFLON[®] tape. With LP gas, piping or tubing size should be 1/2" minimum. Usually, LP gas suppliers determine the size and materials used in the system.

Flexible metal appliance connector:

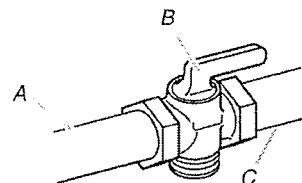
- If local codes permit, use a 1/2" or 3/4" I.D. flexible stainless steel tubing gas connector, designed by CSA to connect the cooktop to the rigid gas supply line.



- A 1/2" male pipe thread is needed for connection to the female pipe threads of the inlet to the cooktop pressure regulator.
- Do not kink or damage the flexible metal tubing when moving the cooktop.

- Must include a shutoff valve:

The supply line must be equipped with a manual shutoff valve. This valve should be located in the same room but external to the cooktop opening, such as an adjacent cabinet. It must be accessible without removing the cooktop, and it should be in a location that allows ease of opening and closing. Do not block access to shutoff valve. The valve is for turning on or shutting off gas to the cooktop.



A. Gas supply line
 B. Shutoff valve "open" position
 C. To cooktop

[®]TEFLON is a registered trademark of E.I. Du Pont De Nemours and Company.

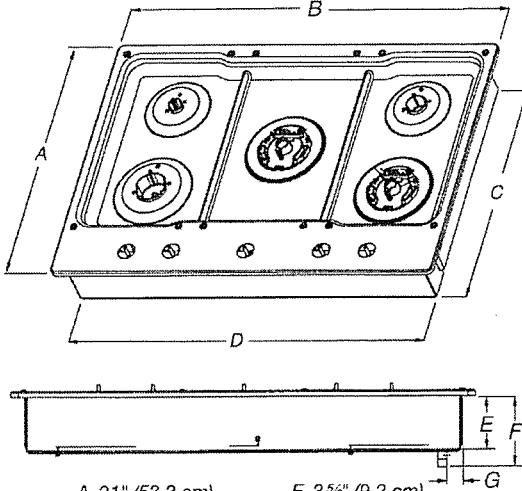
ELECTRICAL REQUIREMENTS

- A 120 volt, 60 Hz, AC only, 15-amp, fused electrical circuit is required. A time-delay fuse or circuit breaker is also recommended. It is recommended that a separate circuit serving only this cooktop be provided.
- Electronic ignition systems operate within wide voltage limits, but proper grounding and polarity are necessary. Check that the outlet provides 120-volt power and is correctly grounded.

261

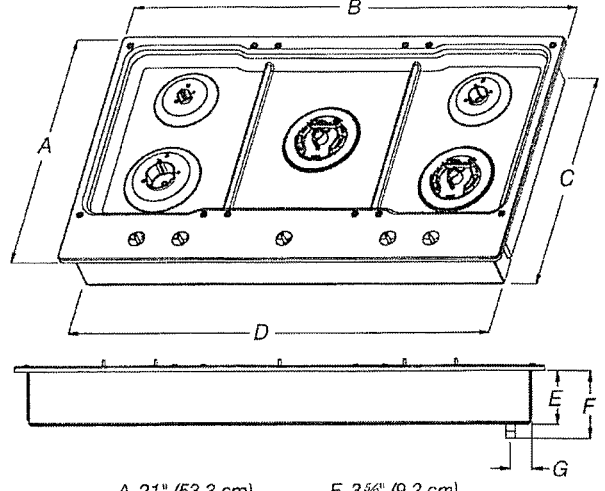
PRODUCT DIMENSIONS

KCGS550ESS and KCGS950ESS Models



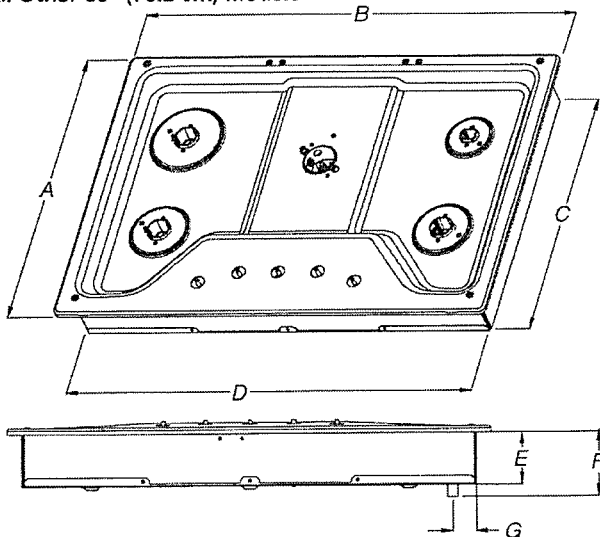
- A. 21" (53.3 cm)
- B. 30" (76.2 cm)
- C. 19 3/8" (49.2 cm)
- D. 28 3/8" (72.1 cm)
- E. 3 5/8" (9.2 cm)
- F. 4 1/16" (11.6 cm)
- G. 1 3/8" (3.4 cm)

KCGS556ESS and KCGS956ESS Models



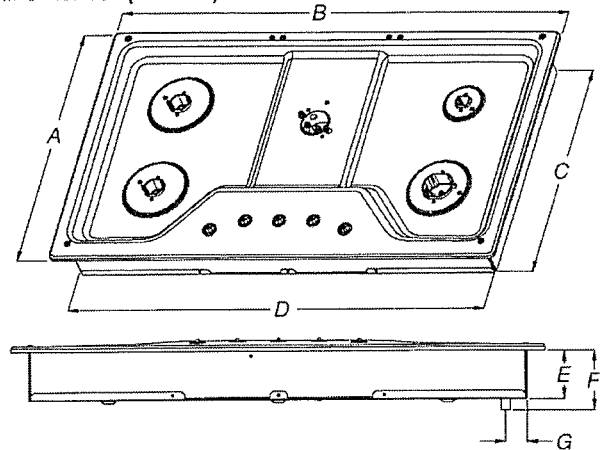
- A. 21" (53.3 cm)
- B. 36 1/4" (92.0 cm)
- C. 19 3/8" (49.2 cm)
- D. 34 3/8" (88.1 cm)
- E. 3 5/8" (9.2 cm)
- F. 4 1/16" (11.6 cm)
- G. 1 1/2" (3.6 cm)

All Other 30" (76.2 cm) Models



- A. 21" (53.3 cm)
- B. 30" (76.2 cm)
- C. 18 7/8" (48.0 cm)
- D. 28 3/8" (72.1 cm)
- E. 3 3/8" (8.6 cm)
- F. 4 1/8" (10.5 cm)
- G. 1 1/2" (3.8 cm)

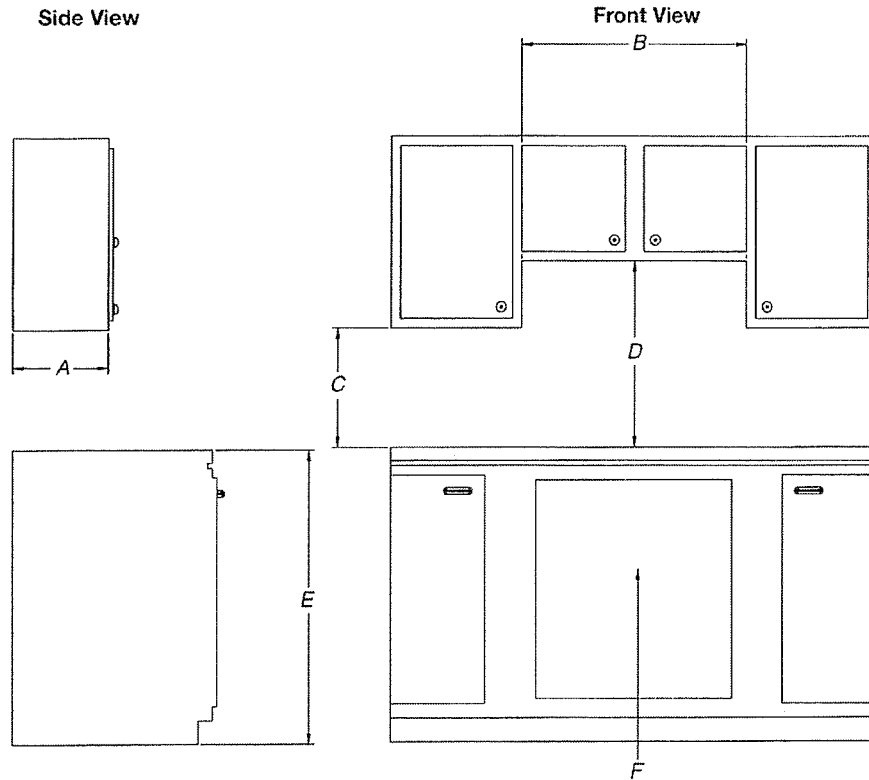
All Other 36" (91.4 cm) Models



- A. 21" (53.3 cm)
- B. 36" (91.4 cm)
- C. 18 7/8" (48.0 cm)
- D. 33 3/4" (85.7 cm)
- E. 3 3/8" (8.6 cm)
- F. 4 1/8" (10.5 cm)
- G. 1 1/2" (3.8 cm)

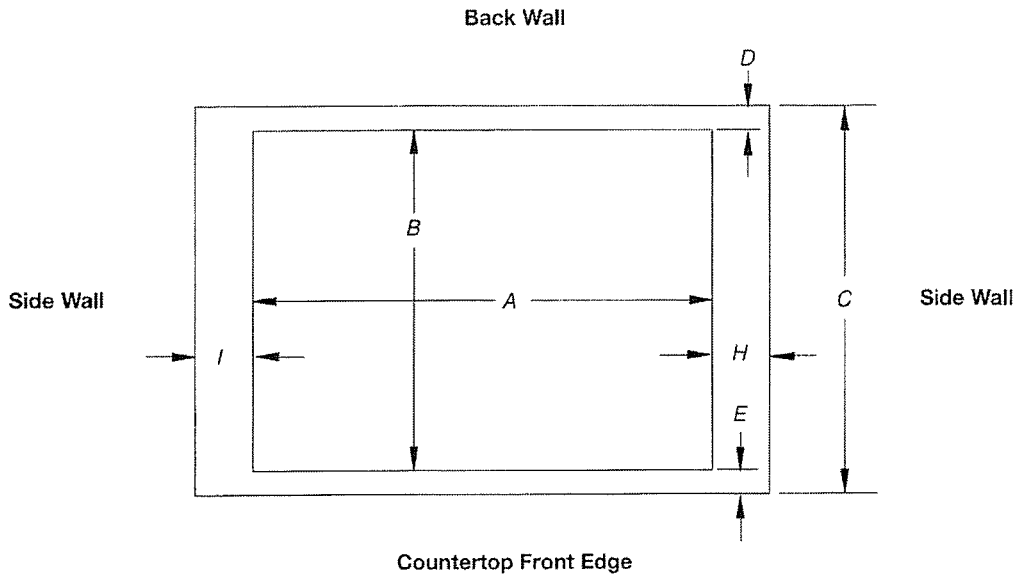
261

CABINET DIMENSIONS



- A. 13" (33.0 cm) recommended upper cabinet depth.
- B. 30" (76.2 cm) for 30" models; 36" (91.4 cm) for 36" models.
- C. 18" (45.7 cm) minimum clearance from upper cabinet to countertop within minimum horizontal clearances to cooktop.
- D. 30" (76.2 cm) minimum clearance between top of cooktop platform and bottom of uncovered wood or metal cabinet. 24" [61 cm] minimum clearance if bottom of wood or metal cabinet is covered by not less than ¼" [0.6 cm] flame retardant millboard covered with not less than No. 28 MSG sheet steel, 0.015" [0.04 cm] stainless steel, or 0.024" [0.06 cm] aluminum or 0.020" [0.05 cm] copper
- E. 36" (91.4 cm) top of countertop to floor.
- F. Gas line opening - Wall: anywhere 5" (12.7 cm) below underside of countertop. Cabinet floor: anywhere within 6" (15.2 cm) of rear wall is recommended.

CABINET DIMENSIONS (cont.)



Cutout (Product Opening) Dimensions						
30" (76.2 cm) Models						
Models	A			B		
	Min	Recommended	Max	Min	Recommended	Max
KCGS550 and KCGS950	28 1/2" (72.4 cm)	28 7/8" (73.4 cm)	29 5/16" (74.3 cm)	19 1/2" (49.5 cm)	19 13/16" (50.2 cm)	20" (50.8 cm)
All Other 30" (76.2 cm) Models	28 1/2" (72.4 cm)	28 7/8" (73.4 cm)	29 5/16" (74.3 cm)	19" (48.3 cm)	19 1/2" (49.5 cm)	20" (50.8 cm)
36" (91.4 cm) Models						
KCGS556 and KCGS956	34 7/8" (88.4 cm)	35 3/8" (89.4 cm)	35 5/8" (90.3 cm)	19 1/2" (49.5 cm)	19 13/16" (50.2 cm)	20" (50.8 cm)
All Other 36" (91.4 cm) Models	33 3/8" (86.0 cm)	34 3/8" (87.0 cm)	35 1/4" (89.5 cm)	19" (48.3 cm)	19 1/2" (49.5 cm)	20" (50.8 cm)

Side Walls (Combustible Surfaces)	
Models	H and I
KCGS5 and KCGS9	H and I added together must be at least 48" (122.0 cm), with each side individually being at least 8" (20.3 cm).
KCGS350, KCGS356, MGC9536, WCG97US0, WCG97US6	H and I added together must be at least 48" (122.0 cm), with each side individually being at least 12" (30.5 cm).
All Other Models	Both have to be 8" (20.3 cm) or more.

Back Wall and Countertop Front Dimensions			
Models	C	D	E
KCGS550 and KCGS950	25" (63.5 cm)	2 7/8" (7.3 cm)	2 3/8" (6.9 cm)
All Other Models			3 1/8" (7.9 cm)

NOTES: After making the countertop cutout, some installations may require notching down the base cabinet side walls to clear the cooktop base. To avoid this modification, use a base cabinet with sidewalls wider than the cutout.

If cabinet has a drawer, a 4" (10.2 cm) depth clearance from the countertop to the top of the drawer (or other obstruction) in base cabinet is required. The drawer depth may need to be shortened to avoid interfering with the regulator.

IMPORTANT: If a built-in wall oven is to be installed below this cooktop, the grounded outlet and gas supply piping must be located in an adjacent cabinet.

This cooktop and its gas and electrical supply sources must be installed before the undercounter built-in wall oven is installed.

Undercounter Dishwasher

PRODUCT MODEL NUMBERS

KDFE204E, KDFE454C, KDTE104E, KDTE204E, KDTE254E, KDTM354E, KDTM384E, KDTM404E, KDTM504E, KDTM704E, KDTM804E

Electrical Requirements: 120-volt, 60 Hz, AC-only, 15- or 20-amp. fused electrical supply. Copper wire only. A time delay fuse or circuit breaker and separate circuit is recommended.

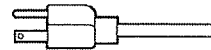
If direct wiring dishwasher: Use flexible, armored or nonmetallic, sheathed copper wire with grounding wire that meets the wiring requirements for your home and local codes and ordinances.



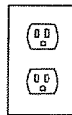
Use a UL Listed or CSA Approved conduit connector.

If connecting dishwasher with a power supply cord:

Use power supply cord kit (Part Number 4317824) marked for use with dishwashers. Follow the kit instructions for installing the power supply cord.



Power supply cord must plug into a grounded 3 prong outlet located in the cabinet next to the dishwasher opening. Outlet must meet all local codes and ordinances.



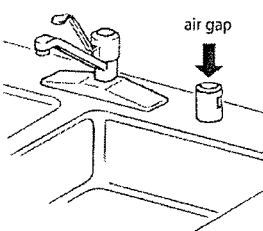
Water Supply Requirements: A hot water line with 20 to 120 psi (138 to 862 kPa) water pressure. Water temperature must be 120°F (49°C) water at dishwasher. Use 3/8" O.D. copper tubing with compression fitting or flexible braided water supply line

Note: 1/2" minimum plastic tubing is not recommended.

Use a 90° elbow with 3/4" hose connection with rubber washer (Part Number W10273460). Do not solder within 6" (15.2 cm) from water inlet valve.

Drain Requirements: A new drain hose is supplied with your dishwasher. If this is not long enough, use a new drain hose with a maximum length of 12' (3.7 m) (Part Number 3385556) that meets all current AHAM/IAPMO test standards, is resistant to heat and detergent, and fits the 1" (2.5 cm) drain connector of the dishwasher.

Make sure to connect the drain hose to waste tee or disposer inlet above drain trap in house plumbing and 20" (50.8 cm) minimum above the floor. It is recommended



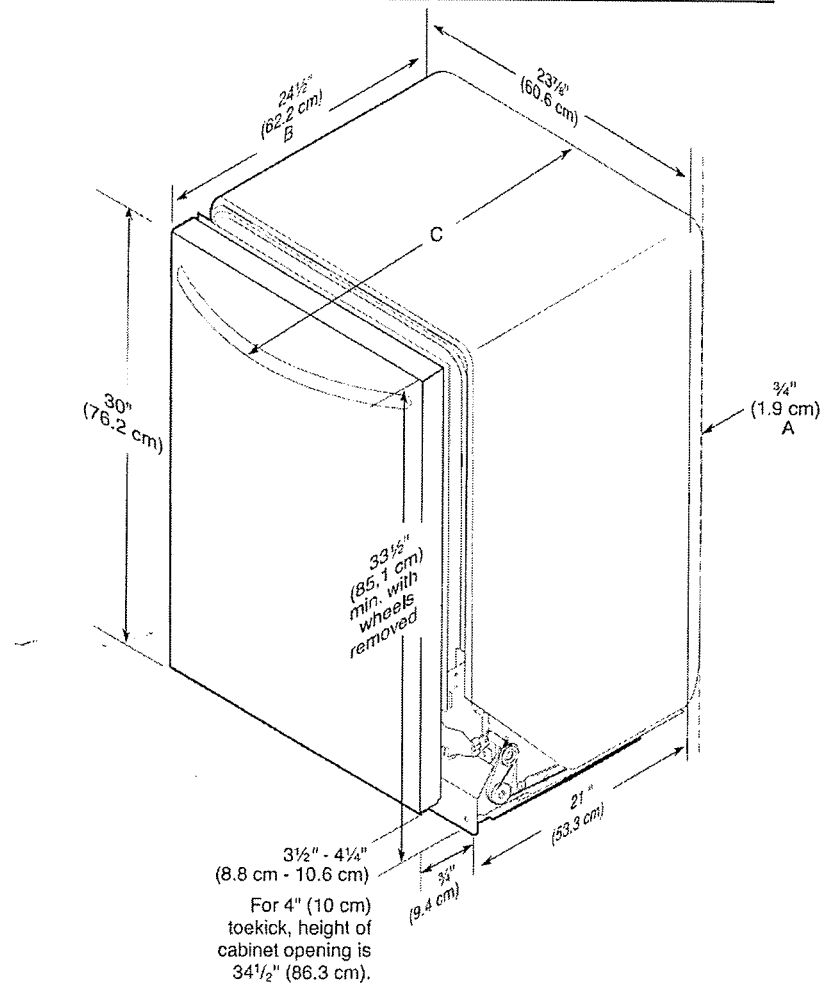
that the drain hose either be looped up and securely fastened to the underside of the counter or be connected to an air gap.

Make sure to use an air gap if the drain hose is connected to house plumbing lower than 20" (50.8 cm) above subfloor or floor.

Use 1/2" (1.3 cm) minimum I.D. drain line fittings.

If required, the air gap should be installed in accordance with the air gap installation instructions. When connecting the air gap, a rubber hose (not provided) will be needed to connect to the waste tee or disposer inlet.

PRODUCT DIMENSIONS



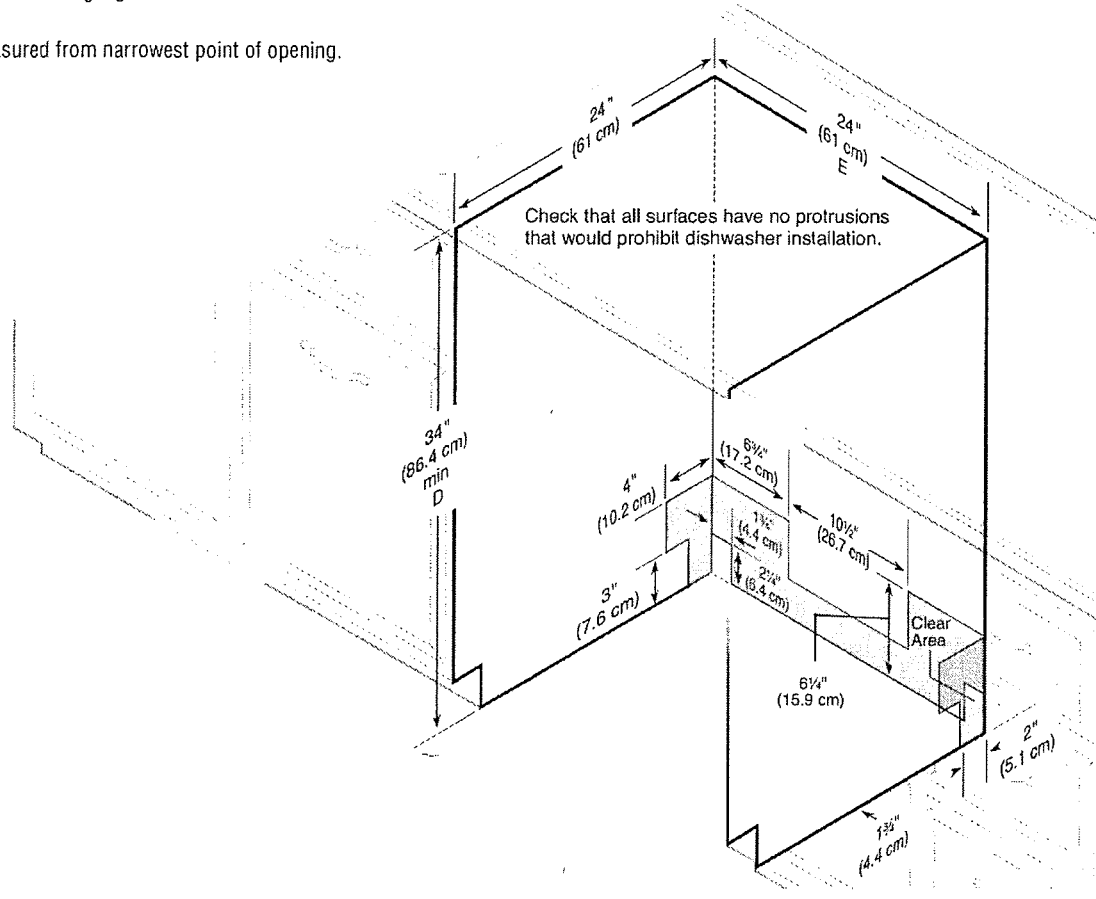
- A. Insulation may be compressed (not used on all models).
- B. For panel-ready models, dishwasher depth is 24" (60 cm) not including the 3/4" (1.9 cm) custom door panel.
- C. Door handles may protrude forward of the face of the dishwasher; varies by model.

CABINET CUTOUT DIMENSIONS

NOTE: Shaded areas of cabinet walls show where utility connections may be installed.

*Measure from the lowest point on the underside of the countertop. May be reduced to 33½" (85.1 cm) by removing the rear leveling legs from dishwasher.

**Minimum, measured from narrowest point of opening.



261

KitchenAid®

FOR THE WAY IT'S MADE.™

30" (72.6 cm) and 36" (91.4 cm) Wall-Mount Canopy Range Hood

PRODUCT MODEL NUMBERS

KVVB600D KVVB606D

Electrical: A 120 volt, 60 Hz., AC only, 15-amp, fused electrical circuit is required.

VENTING METHODS

This canopy range hood is factory set for venting through the roof or through the wall.

A 6" (15.2 cm) round vent system is needed for installation (not included). The hood exhaust opening is 6" (15.2 cm) round.

NOTE: Flexible vent is not recommended. Flexible vent creates back pressure and air turbulence that greatly reduce performance.

Vent system can terminate either through the roof or wall. To vent through a wall, a 90° elbow is needed.

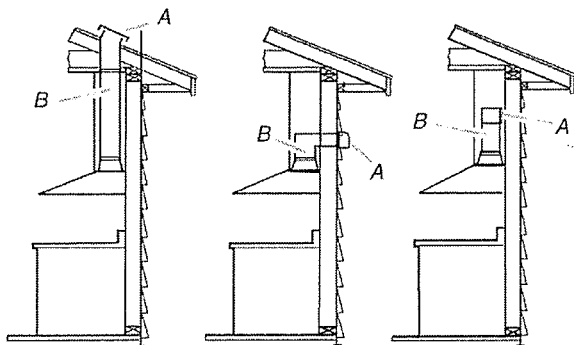
Rear Discharge

A 90° elbow may be installed immediately above the hood.

For Non-Vented (Recirculating) Installations

If it is not possible to vent cooking fumes and vapors to the outside, the hood can be used in the non-vented (recirculating) version, using a Recirculation Kit (which includes charcoal filters and a deflector). To order, see the "Assistance or Service" section.

Roof Venting Wall Venting Non-Vented (Recirculating)



A. Roof cap
B. 6" (15.2 cm) round vent



A. Wall cap
B. 6" (15.2 cm) round vent

A. Diverter
B. 6" (15.2 cm) round vent

Calculating Vent System Length

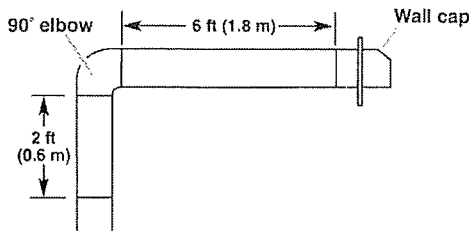
To calculate the length of the system you need, add the equivalent feet (meters) for each vent piece used in the system.

Vent System

Vent Piece	6" (15.2 cm) Round	
45° elbow	2.5 ft (0.8 m)	
90° elbow	5.0 ft (1.5 m)	

Maximum equivalent vent length is 35 ft (10.7 m).

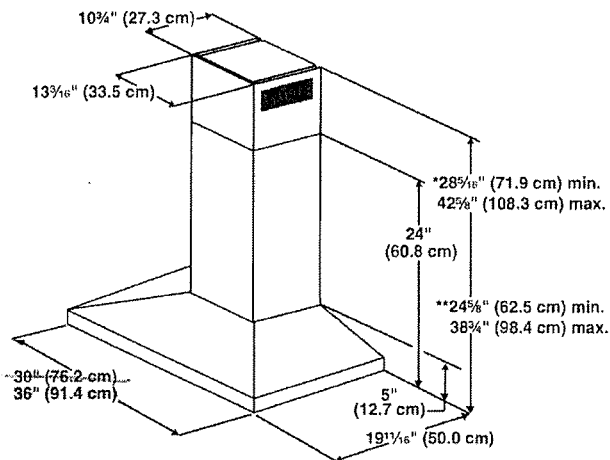
Example Vent System



The following example falls within the maximum recommended vent length of 35 ft (10.7 m).

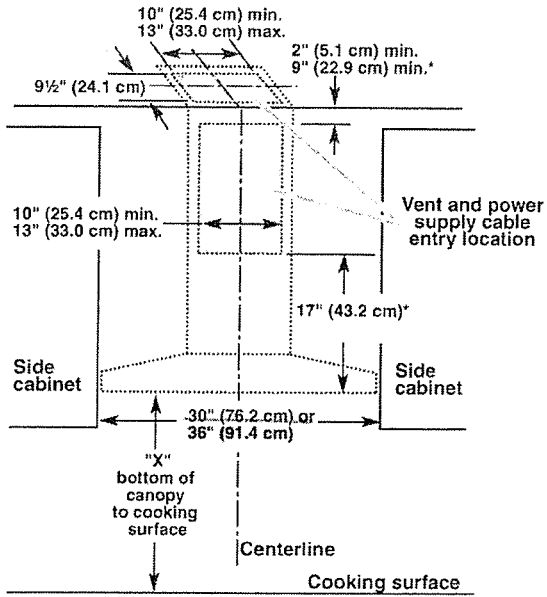
1 - 90° elbow	= 5.0 ft (1.5 m)
1 - wall cap	= 0.0 ft (0.0 m)
8 ft (2.4 m) straight	= 8.0 ft (2.4 m)
Length of system	= 13.0 ft (3.9 m)

PRODUCT DIMENSIONS



*For non-vented (recirculating) installations
**For vented installations

CABINET DIMENSIONS



*For non-vented (recirculating) installations

IMPORTANT:

- Minimum distance "X": 24" (61.0 cm) from electric cooking surface.
- Minimum distance "X": 27" (68.6 cm) from gas cooking surfaces.
- Suggested maximum distance "X": 36" (91.4 cm)

The chimneys can be adjusted for different ceiling heights. See the following chart.

Vented Installations		
	Min. ceiling height	Max. ceiling height
Electric cooking surface	7' 1" (2.16 m)	9' 2" (2.79 m)
Gas cooking surface	7' 4" (2.23 m)	9' 2" (2.79 m)
Non-vented (recirculating) Installations		
	Min. ceiling height	Max. ceiling height
Electric cooking surface	7' 1" (2.16 m)	9' 6" (2.9 m)
Gas cooking surface	7' 4" (2.23 m)	9' 6" (2.9 m)

***NOTE:** The range hood chimneys are adjustable and designed to meet varying ceiling or soffit heights depending on the distance "X" between the bottom of the range hood and the cooking surface. For higher ceilings, a Chimney Extension Kit is available from your dealer or an authorized parts distributor. The chimney extension replaces the chimney shipped with the range hood. To order, see the "Assistance or Service" section.



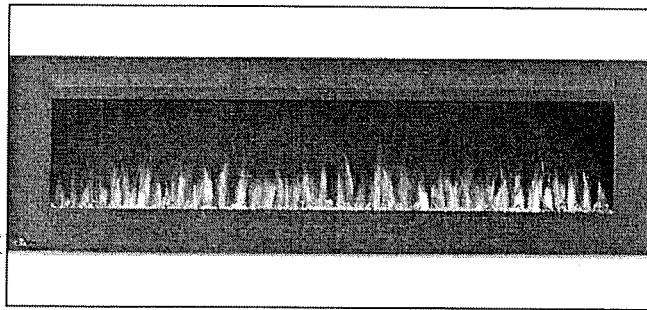
261

ALLURE™ SERIES ELECTRIC FIREPLACE

Specifications

Model	BTU	Width		Height		Depth		Glass
		Actual	Framing	Actual	Framing	Actual	Framing	
NEFL32FH	5,000	32	28	21.5	21	5	N/A	22.6 X 12
NEFL42FH	5,000	42	38	21.5	21	5	N/A	32.6 X 12
NEFL50FH	5,000	50	46	21.5	21	5	N/A	40.6 X 12
NEFL60FH	5,000	60	56	21.5	21	5	N/A	50.6 X 12
NEFL72FH	5,000	72	68	21.5	21	5	N/A	62.6 X 12
NEFL100FH	5,000	100	96	21.5	21	5	N/A	90.6 X 12

Overview



Dimensions

FRONT VIEW

SIDE VIEW

TOP VIEW

DIMENSIONS							
MODEL NUMBER	A	B	C	D	E	F	G
NEFL32FH	32" (813mm)	21 5/8" (550mm)	5" (127mm)	20 1/2" (520mm)	27 5/16" (694mm)	12" (304mm)	22 5/16" (567mm)
NEFL42FH	42" (1067mm)	21 5/8" (550mm)	5" (127mm)	20 1/2" (520mm)	37 1/2" (951mm)	12" (304mm)	32 5/16" (821mm)
NEFL50FH	50" (1270mm)	21 5/8" (550mm)	5" (127mm)	20 1/2" (520mm)	45 7/16" (1154mm)	12" (304mm)	40 5/16" (1024mm)
NEFL60FH	60" (1524mm)	21 5/8" (550mm)	5" (127mm)	20 1/2" (520mm)	55 5/16" (1405mm)	12" (304mm)	50 5/16" (1278mm)
NEFL72FH	72" (1830mm)	21 5/8" (550mm)	5" (127mm)	20 1/2" (520mm)	67 3/8" (1711mm)	12" (304mm)	62 5/8" (1583mm)
NEFL100FH	100" (2540mm)	21 5/8" (550mm)	5" (127mm)	20 1/2" (520mm)	95 3/8" (2422mm)	12" (304mm)	90 9/16" (2300mm)



ALLURE™ SERIES ELECTRIC FIREPLACE

Clearances

Minimum Fireplace Clearances

MINIMUM CLEARANCE TO COMBUSTIBLES

Measurements are taken from the glass front.

Bottom	0"	Top	8" (203mm) to mantel
Sides	0"	Top	8" (203mm) to ceiling
Back	0"		

MINIMUM MANTEL CLEARANCES

WARNING
WHEN USING PAINT OR LACQUER TO FINISH THE MANTEL, THE PAINT OR LACQUER MUST BE HEAT RESISTANT TO PREVENT DISCOLOURATION.

Framing

Finishing Material

(NON-LOAD BEARING)

MODEL NO.	A	B
NEFL32FH	21" (535mm)	27 13/16" (707mm)
NEFL42FH	21" (535mm)	38" (965mm)
NEFL50FH	21" (535mm)	45 15/16" (1166mm)
NEFL60FH	21" (535mm)	55 13/16" (1418mm)
NEFL72FH	21" (535mm)	67 7/8" (1725mm)
NEFL100FH	21" (535mm)	95 7/8" (2435mm)

Appliance Installation

Due to the many different materials used on different walls, it is highly recommended that you consult your local builder before you install this appliance on the wall.

- Select a location that is not prone to moisture and is located at least 36" (914mm) away from combustible materials such as curtains, drapes, furniture, bedding, papers, etc.
- Have two people hold the appliance against the wall to determine the final location.
- Place unit face down on a soft, non-abrasive surface. Remove the brackets from the back of the unit by removing the screws, refer to Figure 1.
- Mark out location, then mount the brackets onto the wall using the special screws. The bracket MUST have the hooks facing up and out of wall. (NOTE: If a triangular or diamond-shaped mounting bracket is required, the mounting bracket be screwed into the wall studs where possible. If the wall studs cannot be used, ensure that the supplied plastic anchors are used to affix the bracket to the wall and the bracket is adequately secured.
- With the wall mounting brackets installed have two people lift the appliance up and insert the two hooks on the bracket into the two slots on the back of the appliance.
- Check the appliance for stability ensuring that the brackets will not pull free from the wall.

NEFL32/42/50FH BRACKET ILLUSTRATED

NEFL60/72/100FH BRACKET ILLUSTRATED

Product information provided is not complete and is subject to change without notice. Please consult the installation manual for the most up to date installation information.